



Count on it.

Parts Catalog

TRX-250

Trencher

Model No. 22983—Serial No. 40000000 and Up



Ordering Replacement Parts

To order replacement parts, please supply the part number, the quantity, and the description of each part desired.

Understanding Reference Numbers

Each identified part in an illustration has a reference number. The reference number for a part also appears in the parts list, along with other information about the part.

This catalog uses two special reference number formats, one to indicate parts in a service assembly and another to indicate the quantity of a given part in an illustration.

Service Assembly Reference Numbers

Parts in service assemblies have reference numbers in the form a:b. The a represents the reference number of the entire service assembly and the b represents a sequential number unique to each part within the service assembly.

For example, a wheel assembly might be identified by reference number 6, the tire by 6:1, the valve by 6:2, and the wheel by 6:3. When you order the assembly identified by reference number 6, you receive all parts identified by reference numbers 6:1, 6:2, and 6:3. However, you may also order any part individually. Reference numbers of this type appear in illustration and in parts lists.

Reference Numbers Indicating Quantity

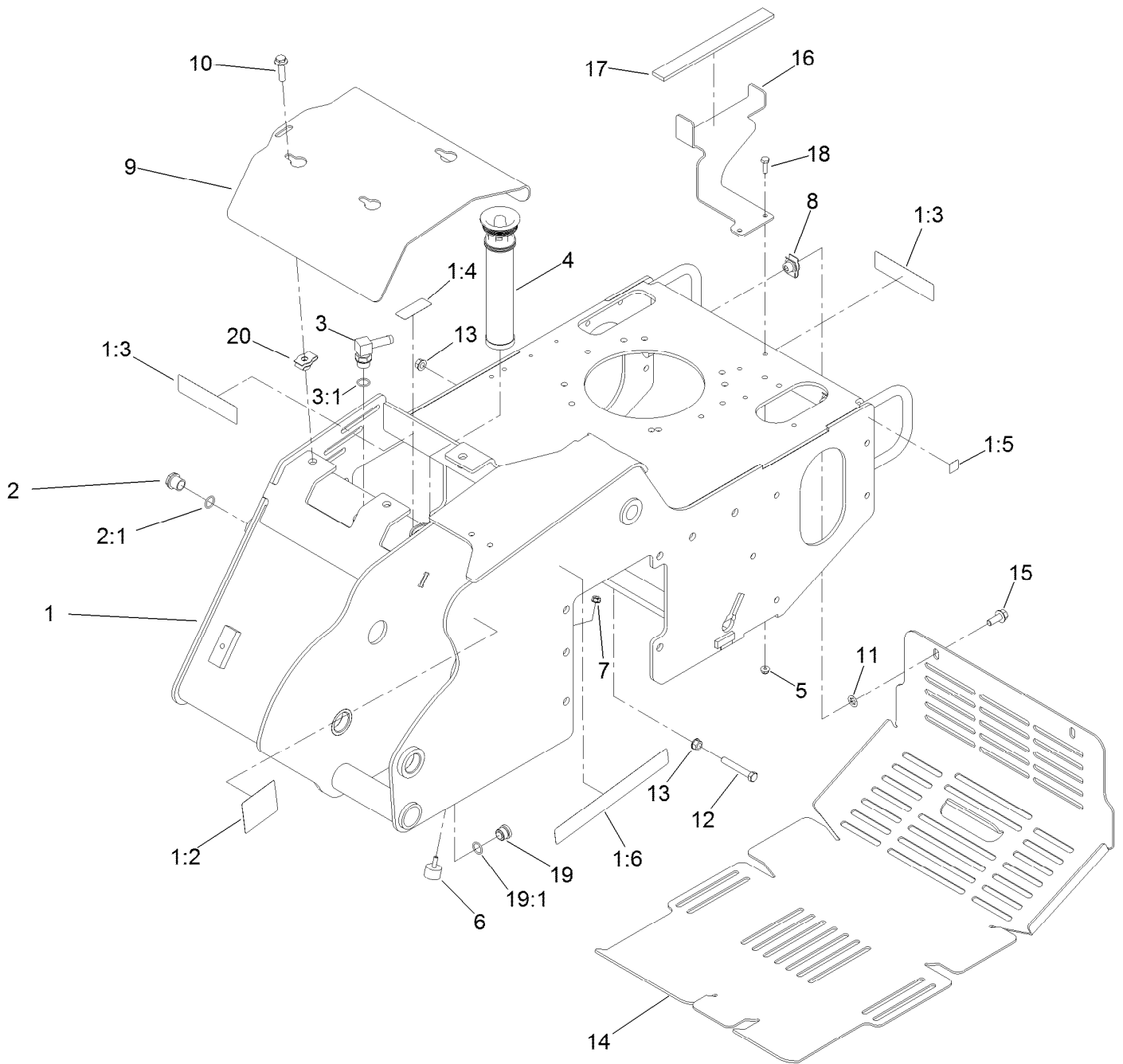
In an illustration, if a reference number indicates more than one part, the reference number has the form nX y. The n represents the quantity of the part, the X is the multiplication symbol, and the y represents the reference number.

For example, in an illustration, the reference number 2X 37 means that two of the parts identified by reference number 37 are indicated.

Contents

Frame Assembly	4
Control Tower and Fuel Tank Assembly	6
Drive Assembly	8
Brake Linkage Assembly	10
Engine, Muffler and Air Cleaner Assembly	12
Air Cleaner Assembly No. 93-2190	14
Hydraulic Assembly	16
Oil Cooler Assembly	18
Trencher Head and Lift Assembly	20
Hydraulic Cylinder Assembly No. 137-3827	22
Control Assembly	24
Electrical Assembly	26
Wire Harness Assembly No. 138-7153	28
Fuel System Assembly	30
Carburetor Assembly	32
Air Intake and Filtration Assembly	34
Ignition and Cooling Fan	36
Crankcase and Crankshaft Assembly	38
Governor Control Assembly	40
Piston and Cylinder Head Assembly	42
Blower Housing Assembly	44
Gasket and Seal Kit	46
Attachments and Accessories	48

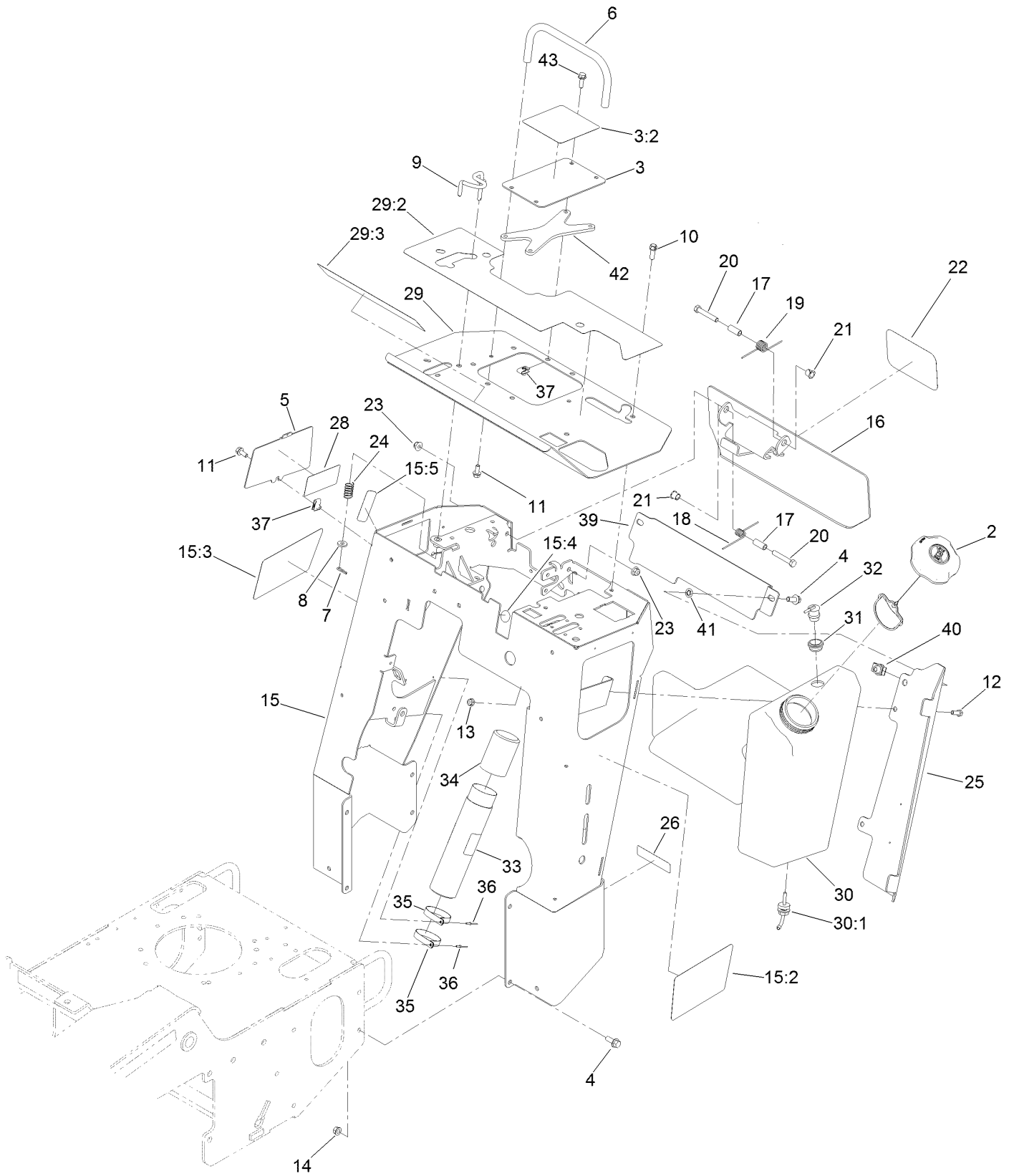
Frame Assembly



Frame Assembly (continued)

<i>Ref.</i>	<i>Part Number</i>	<i>Qty.</i>	<i>Description</i>	<i>Ref.</i>	<i>Part Number</i>	<i>Qty.</i>	<i>Description</i>
1	137-7628	1	Main Frame ASM	8	105-4886	2	Nut-Tinnerman
1:2	100-4650	1	Decal-Warning	9	137-7623-03	1	Plate-Cover, Front
1:3	93-7814	2	Decal-Danger	10	3234-18	3	Screw-HHF
1:4	93-6686	1	Decal-Oil, HYD	11	107-3154	5	Nut-Push
1:5	93-9084	2	Decal-Point, Lift	12	323-12	1	Screw-HH
1:6	138-7103	1	Decal-Intellitrench	13	32128-40	2	Nut-Flange
2	114-3075	1	Sight Glass ASM	14	119-5106-01	1	Cover-Rear
2:1	237-79	1	O-Ring	15	3234-11	2	Screw-HHF
3	354-120	1	Fitting-Elbow, 90	16	119-5091-01	1	Bracket-Tank
3:1	237-79	1	O-Ring	17	117-6417	1	Pad-Foam
4	114-3039	1	Filter-Tank, In	18	321-5	2	Screw-HH
5	104-7201	2	Nut-HF, NI	19	133-7659	1	Plug ASM
6	1-523420	1	Bumper	19:1	237-79	1	O-Ring
7	32128-33	1	Nut-HF	20	112-4576	3	Nut-Clip, U

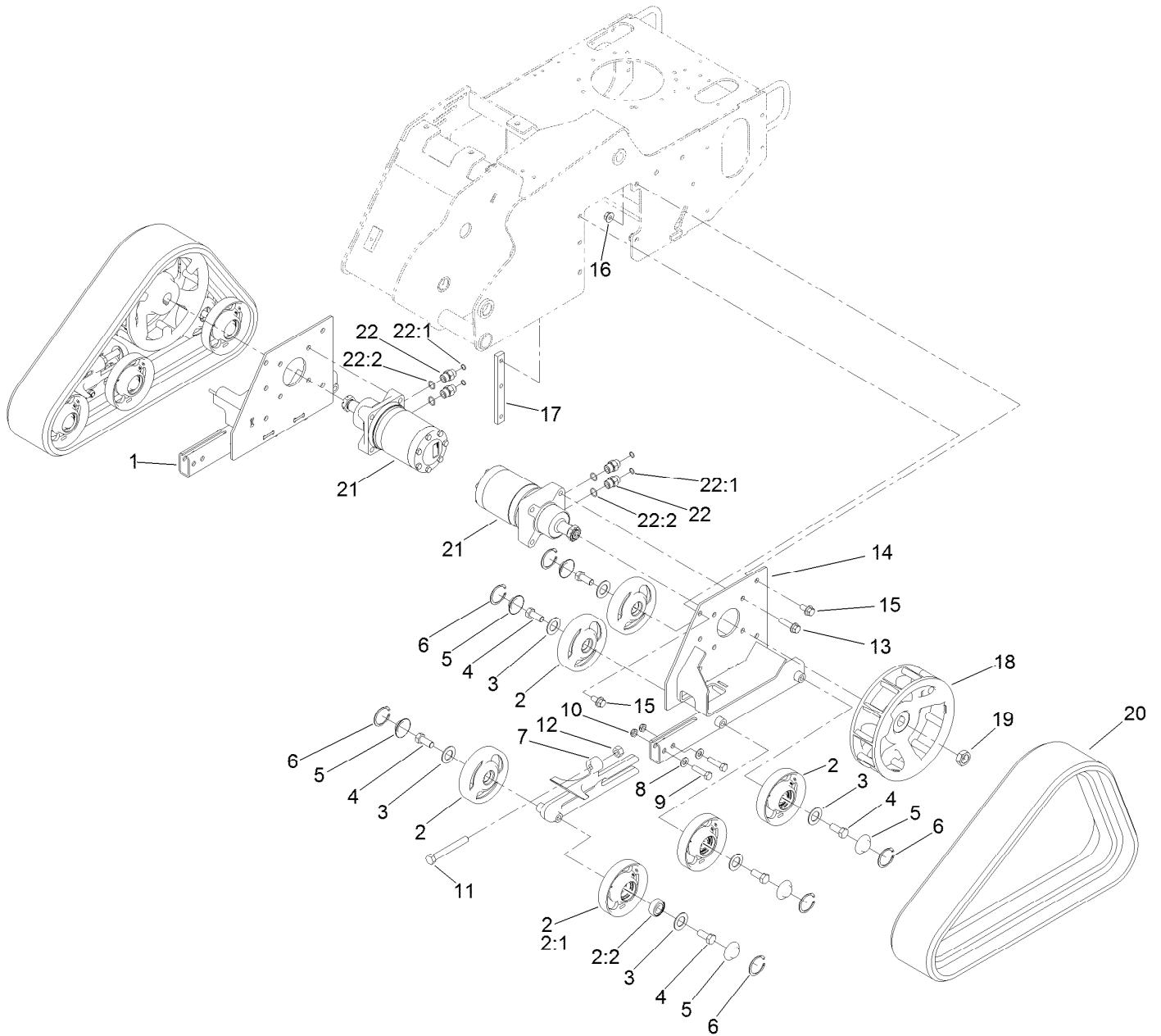
Control Tower and Fuel Tank Assembly



Control Tower and Fuel Tank Assembly (continued)

<i>Ref.</i>	<i>Part Number</i>	<i>Qty.</i>	<i>Description</i>	<i>Ref.</i>	<i>Part Number</i>	<i>Qty.</i>	<i>Description</i>
2	137-4119	1	Cap-Fuel, Ratcheting	21	256-257	2	Bushing-Nyliner
3	137-3795	1	Cover-Handle, Traction	22	105-1217	1	Decal
3:2	138-7107	1	Decal-Traction	23	104-8301	2	Nut-HF, NI
4	3234-11	10	Screw-HHF	24	85-6750	1	Spring-Control
5	137-7654-01	1	Plate-Cover, Access	25	119-5086-01	1	Bracket-Cover, Tank
6	137-7641	1	Bar-Reference	26	133-8062	1	Decal-Arrestor, Spark
7	3290-307	1	Pin-Cotter	28	138-7154	1	Decal-Fuse
8	88-7200	1	Washer-Flat	29	137-3797	1	Cover-Control
9	114-8727	1	Rod-Interlock	29:2	138-7105	1	Decal-Panel, Control
10	95-1726	4	Screw-Taptite	29:3	138-7104	1	Decal-Safety
11	3234-5	3	Screw-HHF	30	120-7359	1	Tank-Fuel
12	322-4	2	Screw-HH	30:1	103-2605	1	Fitting-Fuel, Bulkhead
13	104-8300	2	Nut-HF, NI	31	114-0284	1	Grommet
14	32128-40	8	Nut-Flange	32	119-3547	1	Valve-Vent, Fuel
15	138-3157	1	Control Tower ASM	33	104-7050	1	Tube-Manual
15:2	137-3837	1	Decal-Side, LH	34	104-7048	1	Cap-Housing
15:3	137-3838	1	Decal-Side, RH	35	2412-120	2	Clamp-R
15:4	107-8495	1	Decal-Brake, Parking	36	3269-17	2	Rivet-Pop
15:5	139-1271	1	Decal-Brake, Parking	37	94-2413	5	Nut-U
16	137-7652-03	1	Plate-Reverse	39	139-1259-03	1	Guard-Tower
17	114-1337	2	Spacer-Spring	40	105-4886	2	Nut-Tinnerman
18	98-8425	1	Spring-Torsion, LH	41	107-3154	2	Nut-Push
19	137-7695	1	Spring-Torsion	42	139-1288-03	1	Spacer-Cover
20	323-11	2	Screw-HH	43	3234-17	4	Screw-HHF

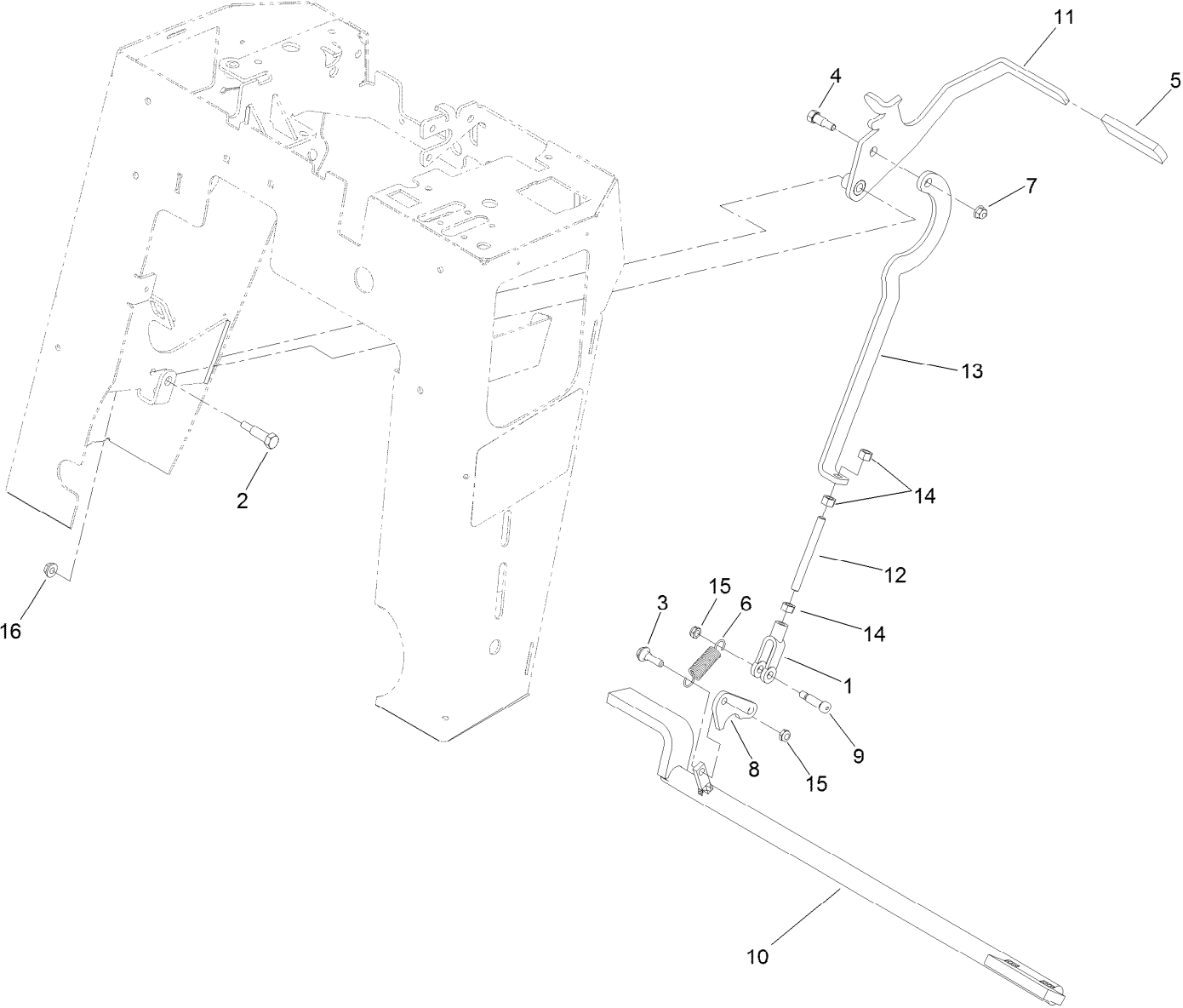
Drive Assembly



Drive Assembly (continued)

<i>Ref.</i>	<i>Part Number</i>	<i>Qty.</i>	<i>Description</i>	<i>Ref.</i>	<i>Part Number</i>	<i>Qty.</i>	<i>Description</i>
1	114-2993-03	1	Frame-Track, RH	12	3217-11	2	Nut-Hex
2	112-4817	12	Wheel-Tensioner	13	3234-27	8	Screw-HHF
2:1	114-3014-03	1	Wheel-Track	14	114-2992-03	1	Frame-Track, LH
2:2	120-5378	1	Bearing-Ball	15	3234-6	10	Screw-HHF
3	106-7585	12	Gasket-Bogie	16	32128-49	4	Nut-HHF
4	327-4	12	Screw-HH	17	114-3091	2	Bar-Thread
5	106-7557	12	Cap-Wheel, Bearing	18	117-6426-03	2	Wheel-Drive
6	106-7595	12	Ring-Snap, Internal	19	106-8159	2	Nut-Lock
7	114-3077-03	2	Tensioner-Track	20	112-4816	2	Track-Rubber
8	3256-26	4	Washer-Flat	21	137-3866	2	Wheel Motor ASM
9	325-8	4	Screw-HH	22	340-6	4	Fitting-Straight
10	3296-45	4	Nut-Hex	22:1	237-30	1	O-Ring
11	112-4874	2	Screw-HH, TAP	22:2	237-80	1	O-Ring

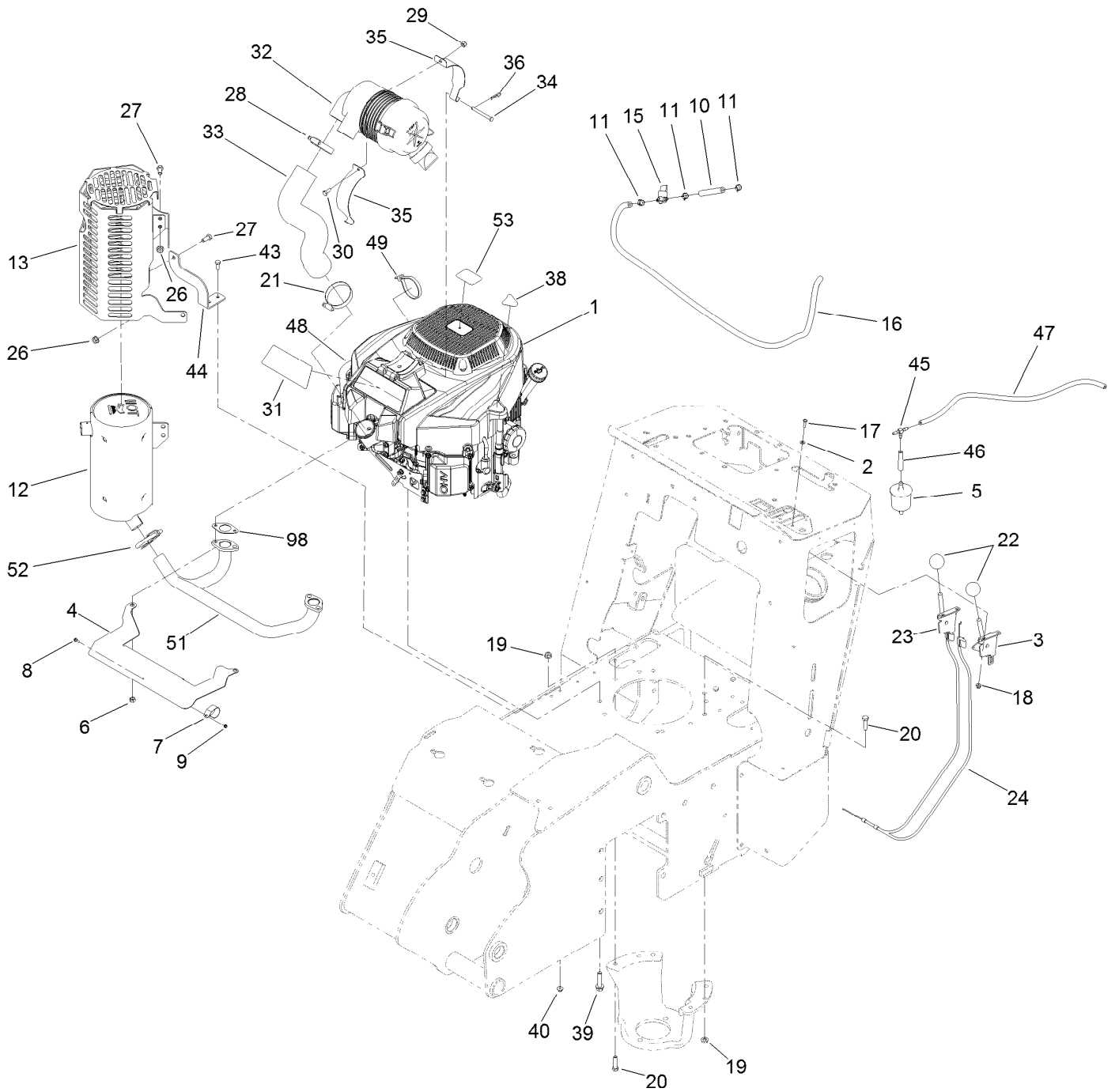
Brake Linkage Assembly



Brake Linkage Assembly (continued)

<i>Ref.</i>	<i>Part Number</i>	<i>Qty.</i>	<i>Description</i>	<i>Ref.</i>	<i>Part Number</i>	<i>Qty.</i>	<i>Description</i>
1	1-633131	1	Yoke-Linkage, Brake	9	114-8629	1	Bolt-Shoulder
2	7-0030	1	Screw-Shoulder, HH	10	121-6240-03	1	Bar-Brake
3	27-7211	1	Screw-Shoulder	11	121-6242-03	1	Handle-Brake
4	28-0540	1	Bolt-Shoulder	12	121-6243	1	Rod-Threaded
5	62-9130	1	Grip-Handle	13	121-6245-03	1	Plate-Brake
6	67-1450	1	Spring-Idler	14	3219-3	3	Nut-Hex
7	104-8300	1	Nut-HF, NI	15	3296-47	2	Nut-Lock,NI
8	114-2975	1	Link-Mounting	16	32128-20	1	Nut-HF

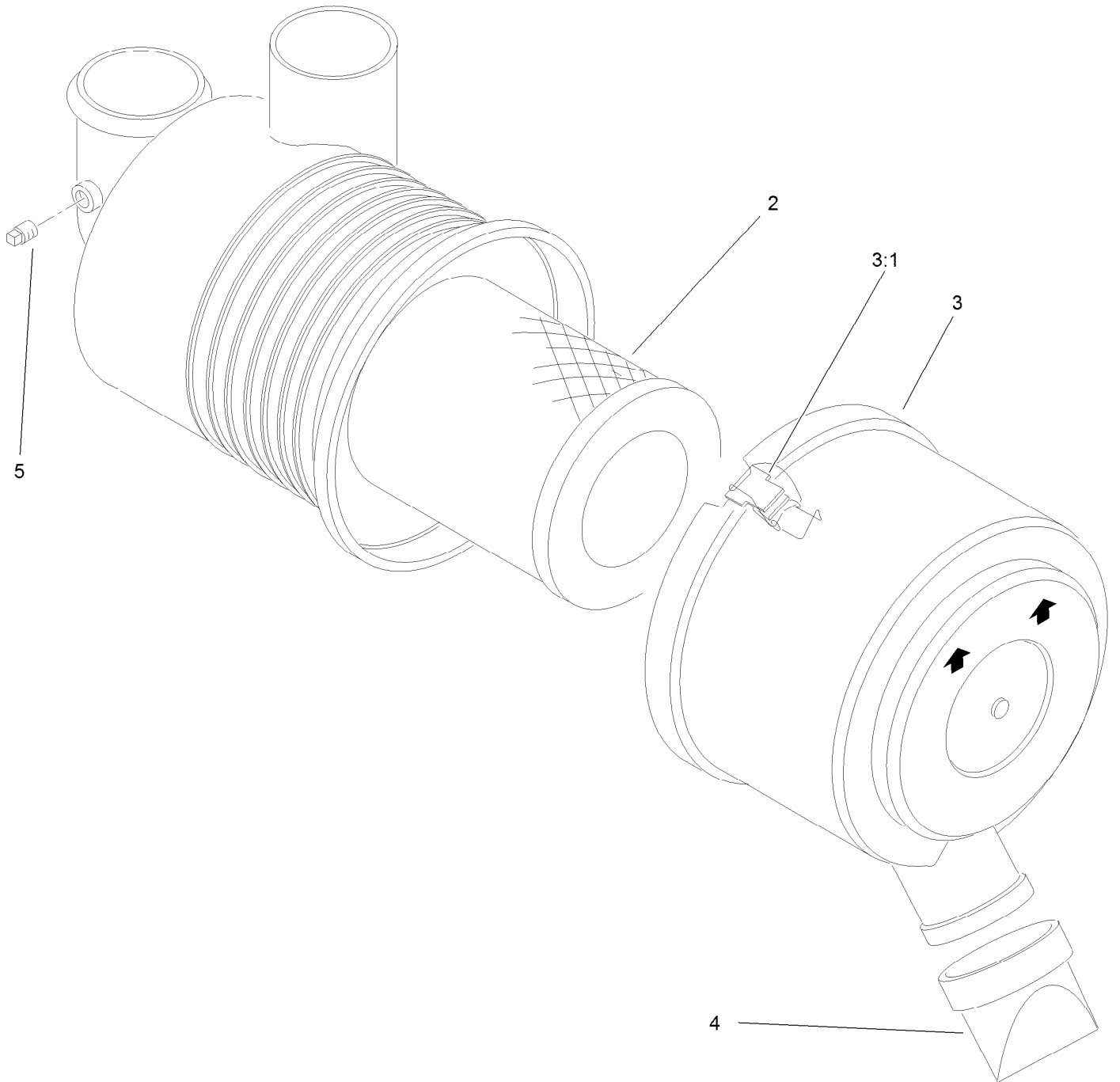
Engine, Muffler and Air Cleaner Assembly



Engine, Muffler and Air Cleaner Assembly (continued)

<i>Ref.</i>	<i>Part Number</i>	<i>Qty.</i>	<i>Description</i>	<i>Ref.</i>	<i>Part Number</i>	<i>Qty.</i>	<i>Description</i>
1	136-7823	1	Engine-2P77F-HD	27	322-3	3	Screw-HH
2	3256-21	4	Washer-Flat	28	1-643009	1	Clamp-Hose
3	110-5547	1	Lever-Control	29	137-3088	1	Nut-Hex
4	137-3748	1	Plate-Shield, Heat	30	137-3041	1	Screw-HH
5	120-2235	1	Filter-Fuel	31	136-9197	1	Decal-Mount, Canister (Air)
6	114-3549	4	Nut	32	93-2190	1	Air Cleaner ASM
7	115-6488	1	Clamp	33	136-9242	1	Hose-Intake
8	115-6494	1	Screw-Pan	34	137-2011	2	Pin-Clevis
9	115-6495	1	Nut-Hex	35	136-9243	2	Strap-Canister, Air
10	109-0295	1	Hose-Fuel	36	1-806003	2	Pin-Cotter
11	2412-98	4	Clamp-Hose	38	131-1097	1	Decal-Drain, Oil
12	138-7136	1	Muffler	39	32144-102	4	Screw-HWH
13	139-1308-03	1	Guard-Muffler	40	104-7201	2	Nut-HF, NI
15	1-603770	1	Valve-Fuel	43	321-4	2	Screw-HH
16	110-3372	1	Hose-Fuel	44	138-3149-03	1	Bracket-Muffler Guard
17	3290-134	4	Screw	45	120-2234	1	Fitting-Tee
18	120-4578	4	Nut-HF	46	120-2272	1	Hose-Fuel, Molded
19	104-8300	2	Nut-HF, NI	47	119-8150	1	Hose-Fuel
20	322-6	2	Screw-HH	48	131-0736	1	Sleeve-Thermal
21	2412-130	1	Clamp-Hose	49	3334-945	1	Tie-Cable
22	233-42	2	Knob	51	138-7137	1	Manifold
23	108-9730	1	Lever-Control	52	2112-11	1	Clamp-Muffler
24	115-1211	2	Cable-Control	53	110-1136	1	Decal
26	32128-26	3	Nut-Flange	98	120-4317	2	Gasket-Exhaust

Air Cleaner Assembly No. 93-2190

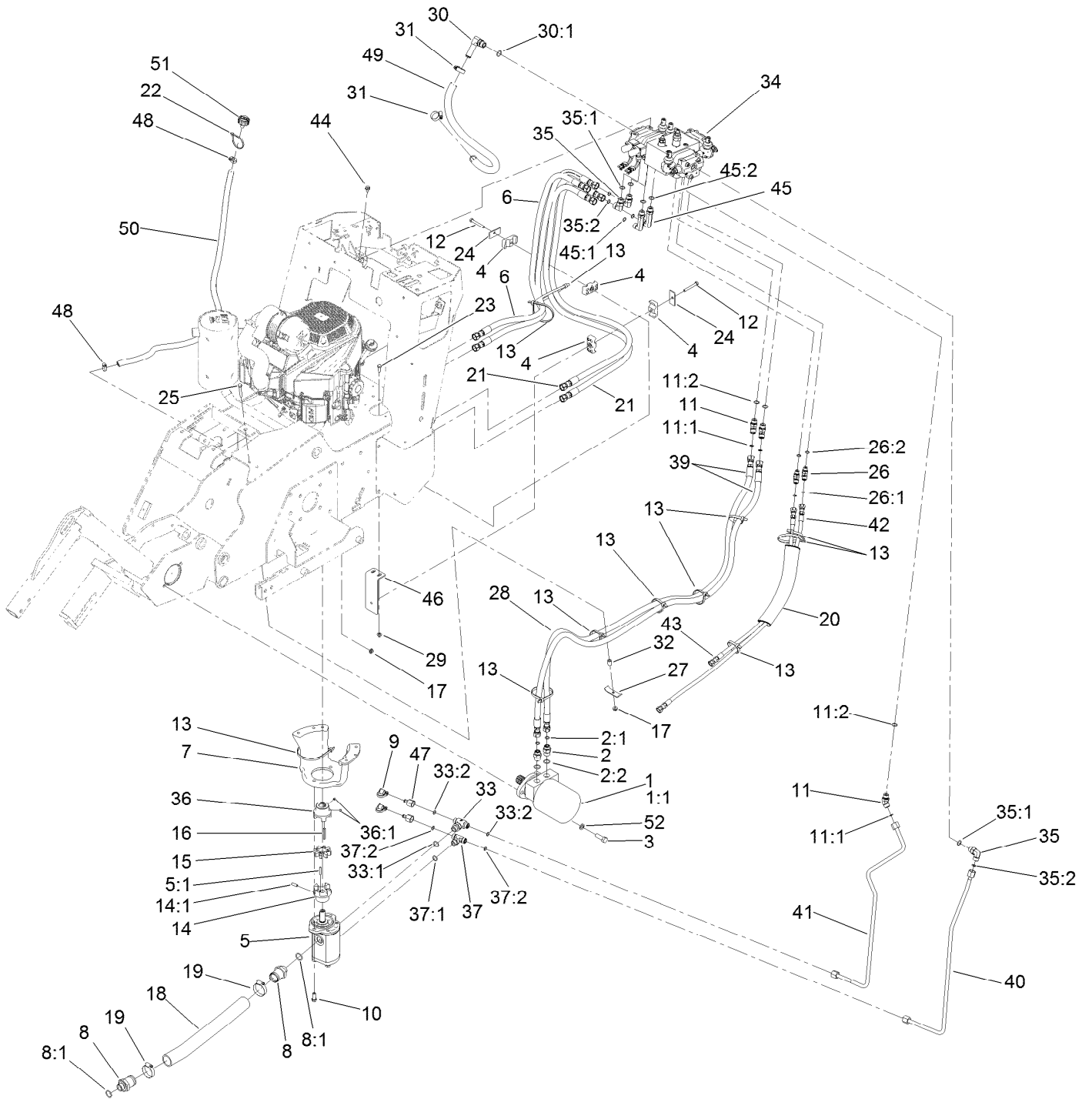


Air Cleaner Assembly No. 93-2190 (continued)

<i>Ref.</i>	<i>Part Number</i>	<i>Qty.</i>	<i>Description</i>
2	108-3811	1	Filter-Air
3	94-3652	1	Cover ASM
3:1	1-643283	2	Latch-Cleaner, Air

<i>Ref.</i>	<i>Part Number</i>	<i>Qty.</i>	<i>Description</i>
4	87-9400	1	Valve-Vacuator
5	285-17	1	Plug-Pipe

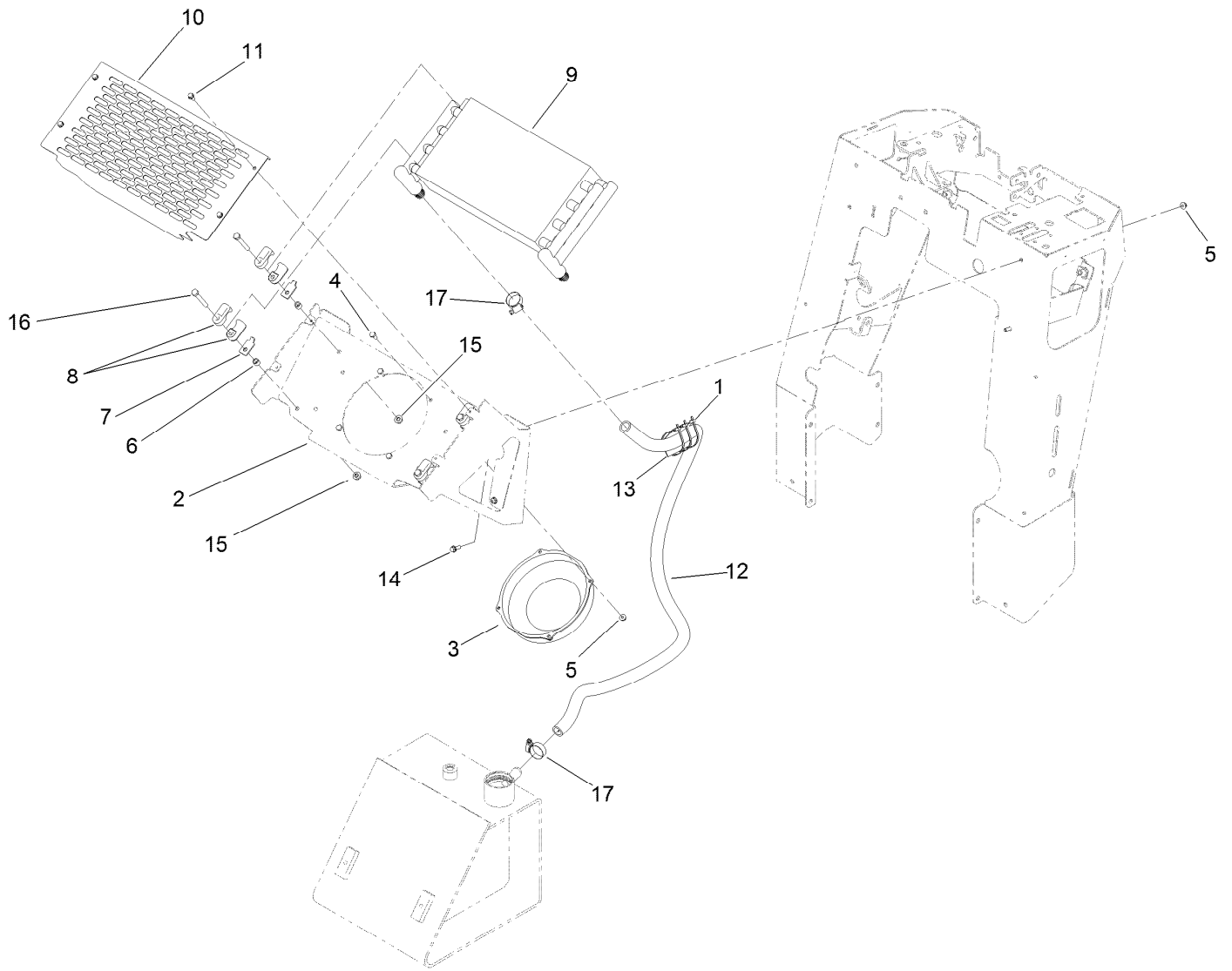
Hydraulic Assembly



Hydraulic Assembly (continued)

<i>Ref.</i>	<i>Part Number</i>	<i>Qty.</i>	<i>Description</i>	<i>Ref.</i>	<i>Part Number</i>	<i>Qty.</i>	<i>Description</i>
1	117-6306	1	Hydraulic Motor ASM	27	100-4860	1	Bracket-Clamp
1:1	115-4061	1	Seal Kit	28	99-5648	2	Sleeve-Protective
2	340-6	2	Fitting-Straight	29	104-8300	2	Nut-HF, NI
2:1	237-30	1	O-Ring	30	87-8170	1	Fitting-90
2:2	237-80	1	O-Ring	30:1	237-80	1	O-Ring
3	325-6	2	Screw-HH	31	2412-129	2	Clamp-Hose
4	94-8105	6	Clamp-Tube	32	93-5023	1	Spacer
5	137-7630	1	Pump-HYD	33	130-8775	1	Fitting-HYD
5:1	27-8590	1	Key-Square	33:1	237-80	1	O-Ring
6	137-7682	2	Hydraulic Hose ASM	33:2	237-30	2	O-Ring
7	137-7634-03	1	Mount-Pump	34	137-7646	1	Valve ASM
8	138-7126	2	Fitting-STR	35	340-98	3	Fitting-Elbow, 90 DEG
8:1	237-81	1	O-Ring	35:1	237-79	1	O-Ring
9	354-79	2	Cap-Dust	35:2	237-30	1	O-Ring
10	324-4	2	Screw-HH	36	138-7101	1	Hub-Flex
11	340-101	3	Fitting-HYD, 45 DEG	36:1	100-7594	2	Screw-Set
11:1	237-30	1	O-Ring	37	340-157	1	Fitting-HYD, Tee
11:2	237-79	1	O-Ring	37:1	237-79	1	O-Ring
12	322-11	3	Screw-HH	37:2	237-30	2	O-Ring
13	3334-945	11	Tie-Cable	39	137-3730	2	Hydraulic Hose ASM
14	114-2933	1	Coupler-Flex	40	137-7698	1	HYD Tube ASM
14:1	100-7594	1	Screw-Set	41	137-3724	1	HYD Tube ASM
15	93-8827	1	Coupler-Spider	42	137-3731	1	Hydraulic Hose ASM
16	608006	1	Key-Square	43	137-3732	1	Hose-HYD
17	32128-20	4	Nut-HF	44	68-9410	3	Screw-HHF
18	138-7128	1	Hose-Suction, HYD	45	99-6160	2	Fitting-Elbow, 90 Long
19	2412-130	2	Clamp-Hose	45:1	237-30	1	O-Ring
20	115-4064	1	Sleeve-Protective	45:2	237-79	1	O-Ring
21	137-7680	2	Hydraulic Hose ASM	46	137-3736-03	1	Bracket-Support, Hose
22	3290-379	1	Tie-Cable	47	100-5616	2	Fitting
23	322-4	2	Screw-HH	48	2412-36	2	Clamp-Hose
24	69-9761	3	Plate-Cover	49	138-3197	1	Hose-Cooler
25	322-10	1	Screw-HH	50	114-3042	1	Hose-Breather
26	340-87	2	Fitting-Elbow, 45 DEG	51	68-6150	1	Breather
26:1	237-22	1	O-Ring	52	3253-7	2	Washer-Lock
26:2	237-42	1	O-Ring				

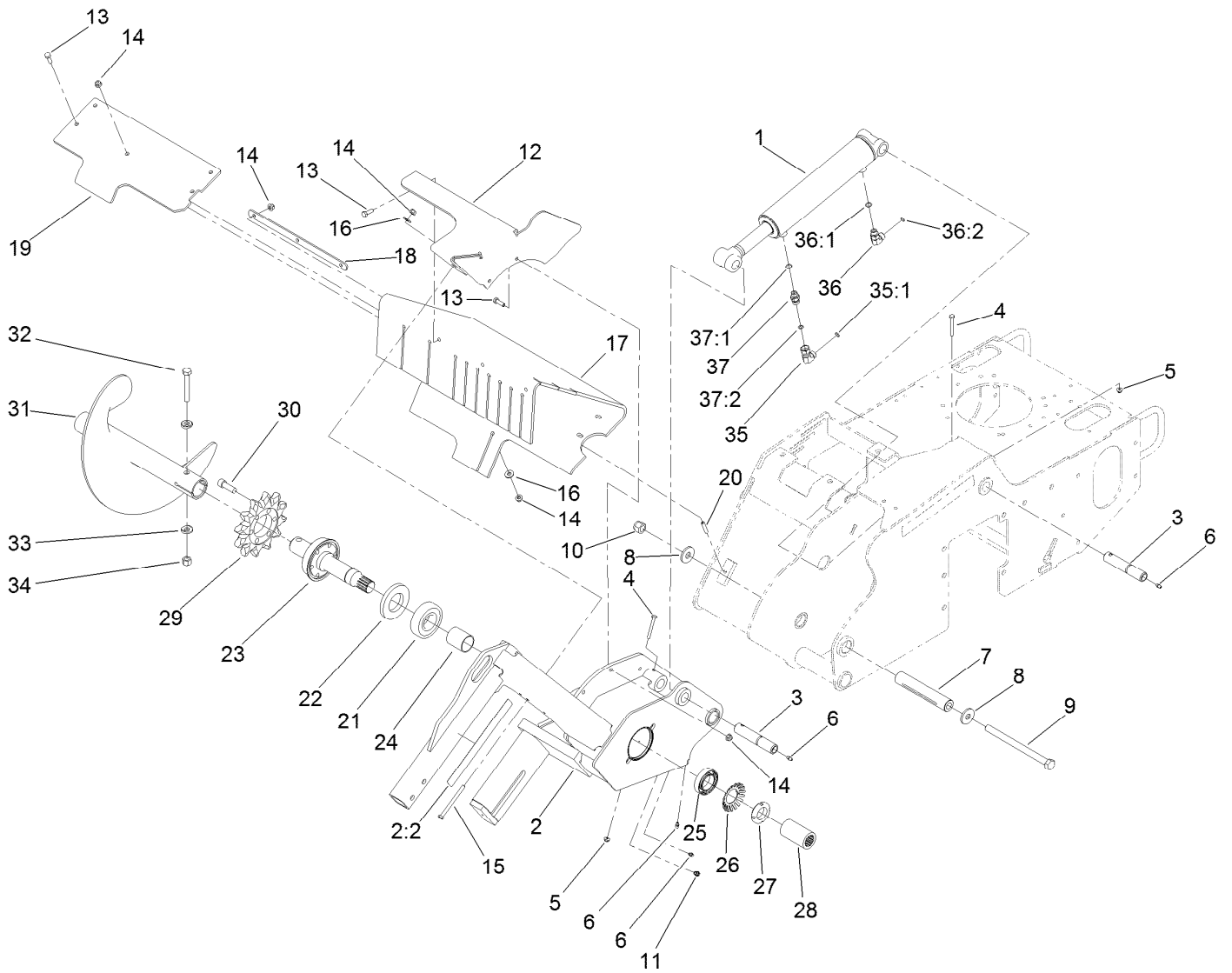
Oil Cooler Assembly



Oil Cooler Assembly (continued)

<i>Ref.</i>	<i>Part Number</i>	<i>Qty.</i>	<i>Description</i>	<i>Ref.</i>	<i>Part Number</i>	<i>Qty.</i>	<i>Description</i>
1	3290-379	3	Tie-Cable	10	119-4633-01	1	Cover-Cooler
2	138-3194-01	1	Mount-Cooler	11	32144-4	4	Screw-HWH
3	104-2809	1	Fan	12	138-3198	1	Hose-Cooler
4	321-3	4	Screw-HH	13	AU112950	1	Protector-Hose
5	104-7201	8	Nut-HF, NI	14	115-5103	4	Screw-HHF
6	105-5723	4	Spacer-Tube	15	104-8300	4	Nut-HF, NI
7	131-0642	4	Plate-Support, Clamp	16	322-11	4	Screw-HH
8	131-0733	8	Clamp	17	2412-129	2	Clamp-Hose
9	117-6320	1	Cooler-Oil				

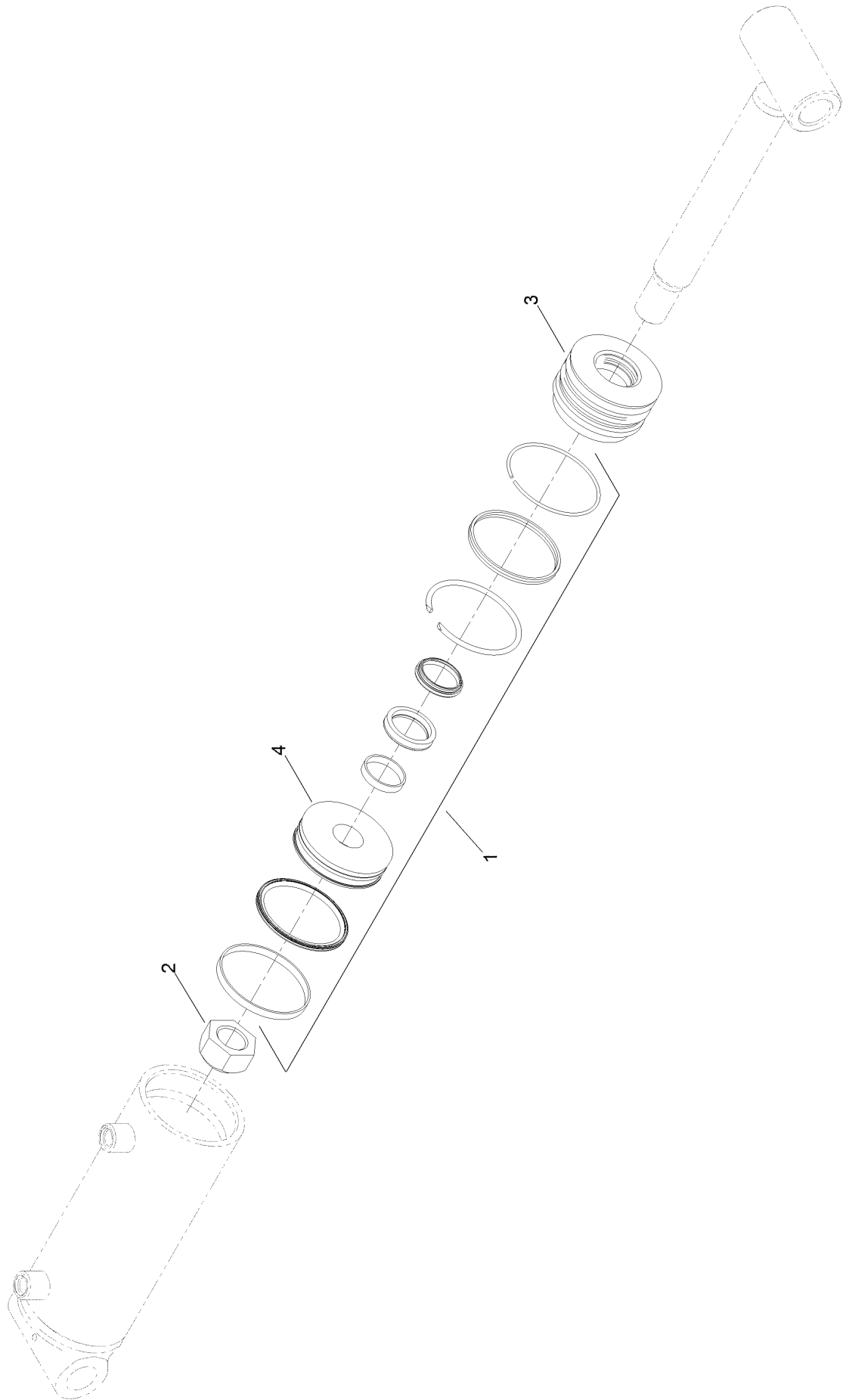
Trencher Head and Lift Assembly



Trencher Head and Lift Assembly (continued)

<i>Ref.</i>	<i>Part Number</i>	<i>Qty.</i>	<i>Description</i>	<i>Ref.</i>	<i>Part Number</i>	<i>Qty.</i>	<i>Description</i>
1	137-3827	1	Hydraulic Cylinder ASM	22	114-2955	1	Seal-Grease
2	117-6423	1	Trencher Head ASM	23	117-6308	1	Shaft-Trencher
2:2	99-9952	2	Decal-Danger	24	112-4979	1	Spacer
3	120-7352	2	Pin-Pivot	25	111199	1	Bearing-Ball
4	321-18	2	Screw-HH	26	114-2956	1	Lockwasher-Bearing
5	104-7201	2	Nut-HF, NI	27	88-1450	1	Locknut-Bearing
6	302-5	4	Fitting-Grease	28	117-6315	1	Collar-Splined
7	121-4571	1	Spacer-Pivot	29	104-1964	1	Sprocket-Trencher
8	104-9216	2	Washer-Hardened	30	3274-4	6	Screw-HSH
9	117-6327	1	Bolt-HH	31	137-3737-03	1	Auger-Trencher
10	3296-53	1	Nut-Lock, NI	32	325-13	1	Screw-HH
11	302-34	1	Fitting-Lube	33	117-3479	2	Washer-Saddle
12	115-1279-03	1	Bracket-Shield	34	3296-23	1	Nut-Lock, NI
13	322-5	8	Screw-HH	35	340-159	1	Elbow-90
14	104-8300	11	Nut-HF, NI	35:1	237-22	2	O-Ring
15	322-23	1	Screw-HH	36	340-77	1	Fitting-Elbow, 90 DEG
16	3256-3	4	Washer-Flat	36:1	237-22	1	O-Ring
17	117-6317	1	Shield-Dirt	36:2	237-42	1	O-Ring
18	115-4001-03	1	Plate-Strap, Shield	37	115-4081	1	Valve-Check
19	117-6316-03	1	Clamp-Bar	37:1	237-42	1	O-Ring
20	115-4049	2	Screw-HSH	37:2	237-22	1	O-Ring
21	106-8871	1	Bearing-Ball				

Hydraulic Cylinder Assembly No. 137-3827

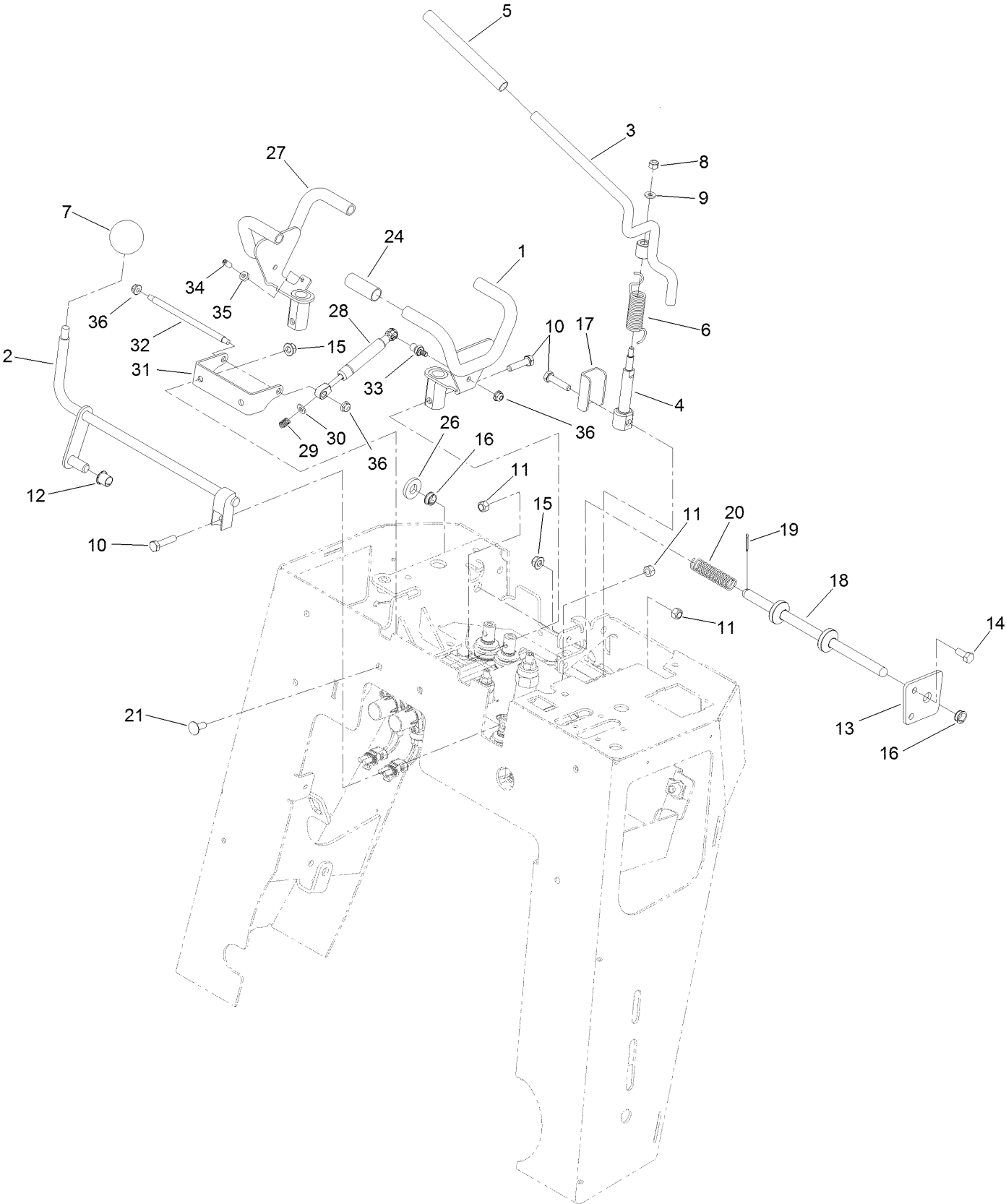


Hydraulic Cylinder Assembly No. 137-3827 (continued)

<i>Ref.</i>	<i>Part Number</i>	<i>Qty.</i>	<i>Description</i>
1	138-7140	1	Seal Kit
2	138-7141	1	Nut-Hex

<i>Ref.</i>	<i>Part Number</i>	<i>Qty.</i>	<i>Description</i>
3	138-7142	1	Head-Cylinder
4	138-7143	1	Piston

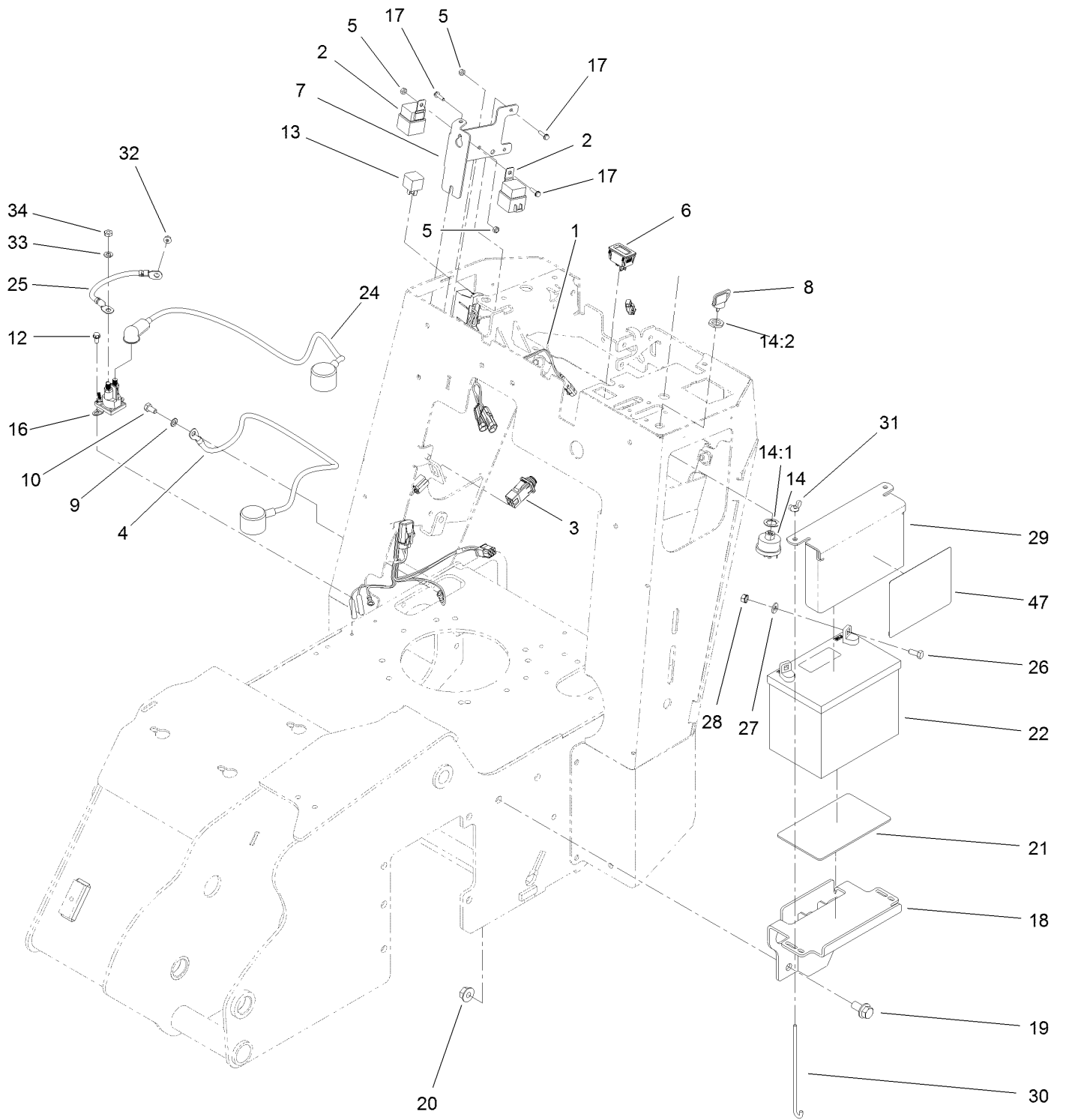
Control Assembly



Control Assembly (continued)

<i>Ref.</i>	<i>Part Number</i>	<i>Qty.</i>	<i>Description</i>	<i>Ref.</i>	<i>Part Number</i>	<i>Qty.</i>	<i>Description</i>
1	139-1303-03	1	Handle-Traction, LH	18	138-3127	1	Rod-Lockout
2	139-1306	1	Lever-Lift	19	3272-4	1	Pin-Cotter
3	137-7651	1	Lever-Auxiliary	20	95-4256	1	Spring-Compression
4	137-7649	1	Lever-Drive, Chain	21	3230-23	2	Bolt-CARR
5	138-3168	1	Grip	24	139-1307	4	Grip
6	112-2738	1	Spring-Torsion	26	107-3395	1	Washer-Hardened
7	233-21	1	Knob	27	139-1305-03	1	Handle-Traction, RH
8	3296-42	1	Nut-Lock, NI	28	139-1314	2	Damper
9	3256-16	1	Washer-Flat	29	139-1321	2	Spring-Compression
10	33114-035	4	Screw-HH	30	139-1323	2	Washer-Spcl
11	33024-00	4	Nut-Lock, NI	31	139-1299-03	1	Bracket-Damper
12	256-257	1	Bushing-Nyliner	32	139-1316	1	Rod-Damper
13	138-3123-03	1	Plate-Bushing	33	139-1315	2	Stud-Ball
14	322-3	2	Screw-HH	34	3245-3	2	Screw-Set, Hs
15	104-8300	4	Nut-HF, NI	35	3218-1	2	Nut-Jam
16	116-1393	2	Bushing	36	104-7201	4	Nut-HF, NI
17	138-3124	1	Bracket-Lever				

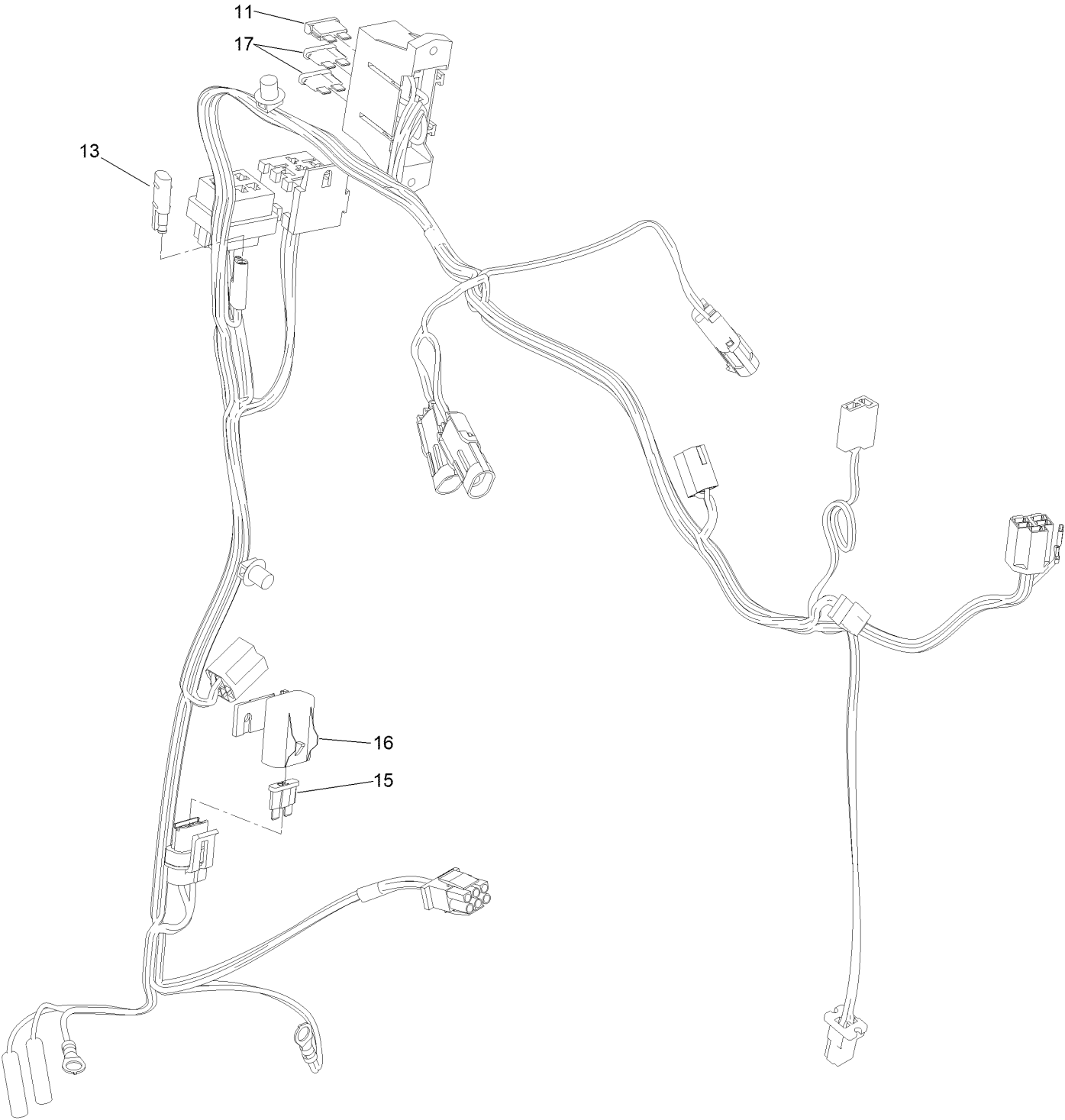
Electrical Assembly



Electrical Assembly (continued)

<i>Ref.</i>	<i>Part Number</i>	<i>Qty.</i>	<i>Description</i>	<i>Ref.</i>	<i>Part Number</i>	<i>Qty.</i>	<i>Description</i>
1	138-7153	1	Harness-Wire	18	138-3114-03	1	Tray-Battery
2	99-7430	1	Relay-Mini	19	3234-6	2	Screw-HHF
3	100-1268	1	Switch-Plunger	20	32128-49	2	Nut-HHF
4	138-3133	1	Cable-Battery, Negative	21	62-4300	1	Pad-Skid, Anti
5	3296-2	4	Nut-Lock, NI	22	104-8162	1	Battery
6	120-2244	1	Hourmeter	24	138-3134	1	Cable-Battery, Positive
7	138-3104-03	1	Bracket-Electrical	25	138-3132	1	Cable-Battery, Positive
8	63-8360	1	Key-Ignition	26	322-3	2	Screw-HH
9	3255-8	1	Washer-Lock	27	3256-2	2	Washer-Flat
10	322-2	1	Screw-HH	28	32149-1	2	Nut-Keps
12	32144-4	2	Screw-HWH	29	115-6621-03	1	Plate-Hold Down, Battery
13	98-7249	1	Relay	30	1-633651	2	Bolt-Holddown
14	88-9830	1	Key Switch ASM	31	32103-22	2	Nut-Wing
14:1	3254-5	1	Washer-Lock	32	33003-00	1	Nut-HF
14:2	218-461	1	Nut-HH	33	3253-4	2	Washer-Lock
16	117-1197	1	Solenoid	34	3220-2	2	Nut-Jam
17	3290-126	4	Screw-HWH	47	137-3882	1	Decal-Service

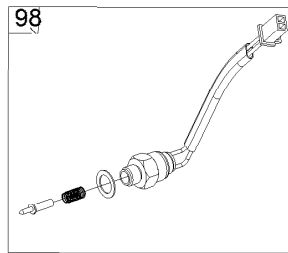
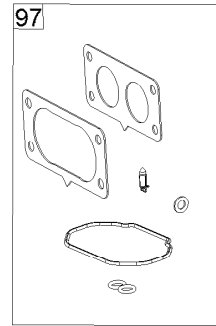
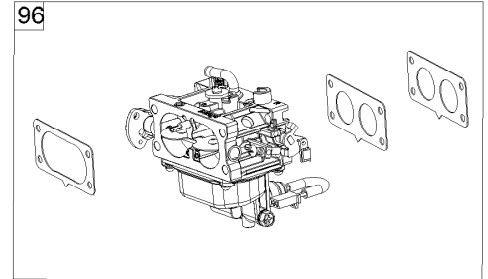
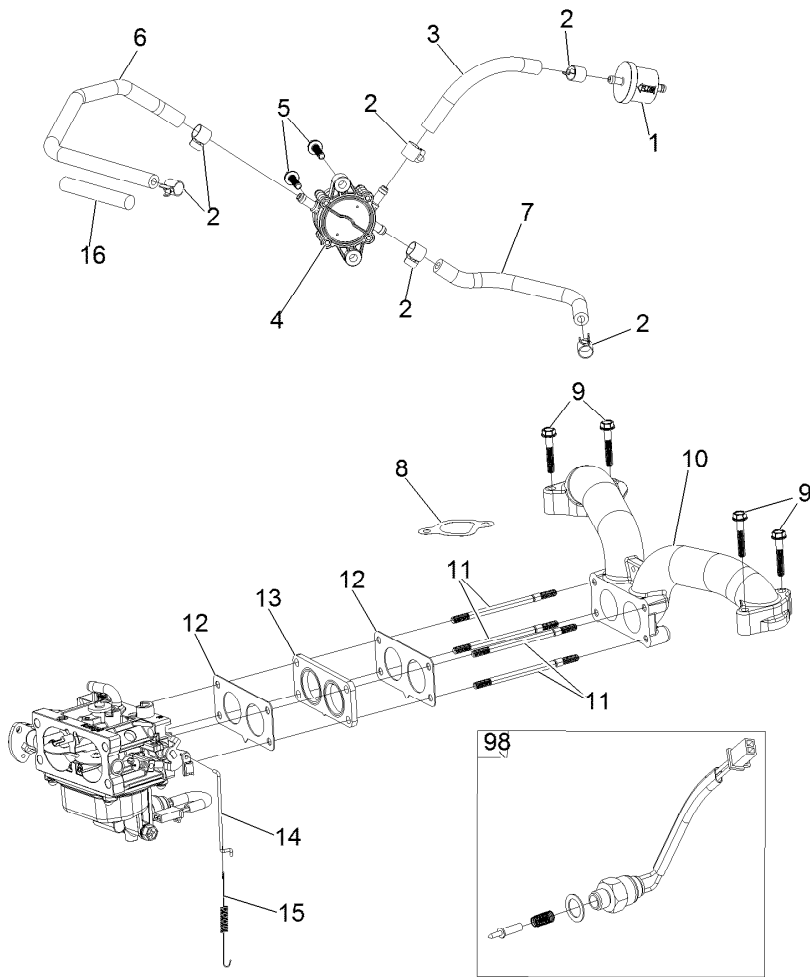
Wire Harness Assembly No. 138-7153



Wire Harness Assembly No. 138-7153 (continued)

<i>Ref.</i>	<i>Part Number</i>	<i>Qty.</i>	<i>Description</i>	<i>Ref.</i>	<i>Part Number</i>	<i>Qty.</i>	<i>Description</i>
11	109355	1	Fuse-Blade, 15 Amp	16	32180-019	1	Cover-Fuse, Single
13	116-0053	1	Cap-Plug	17	218-578	2	Fuse-Blade, 10 Amp
15	109103	1	Fuse-Blade, 30 Amp				

Fuel System Assembly

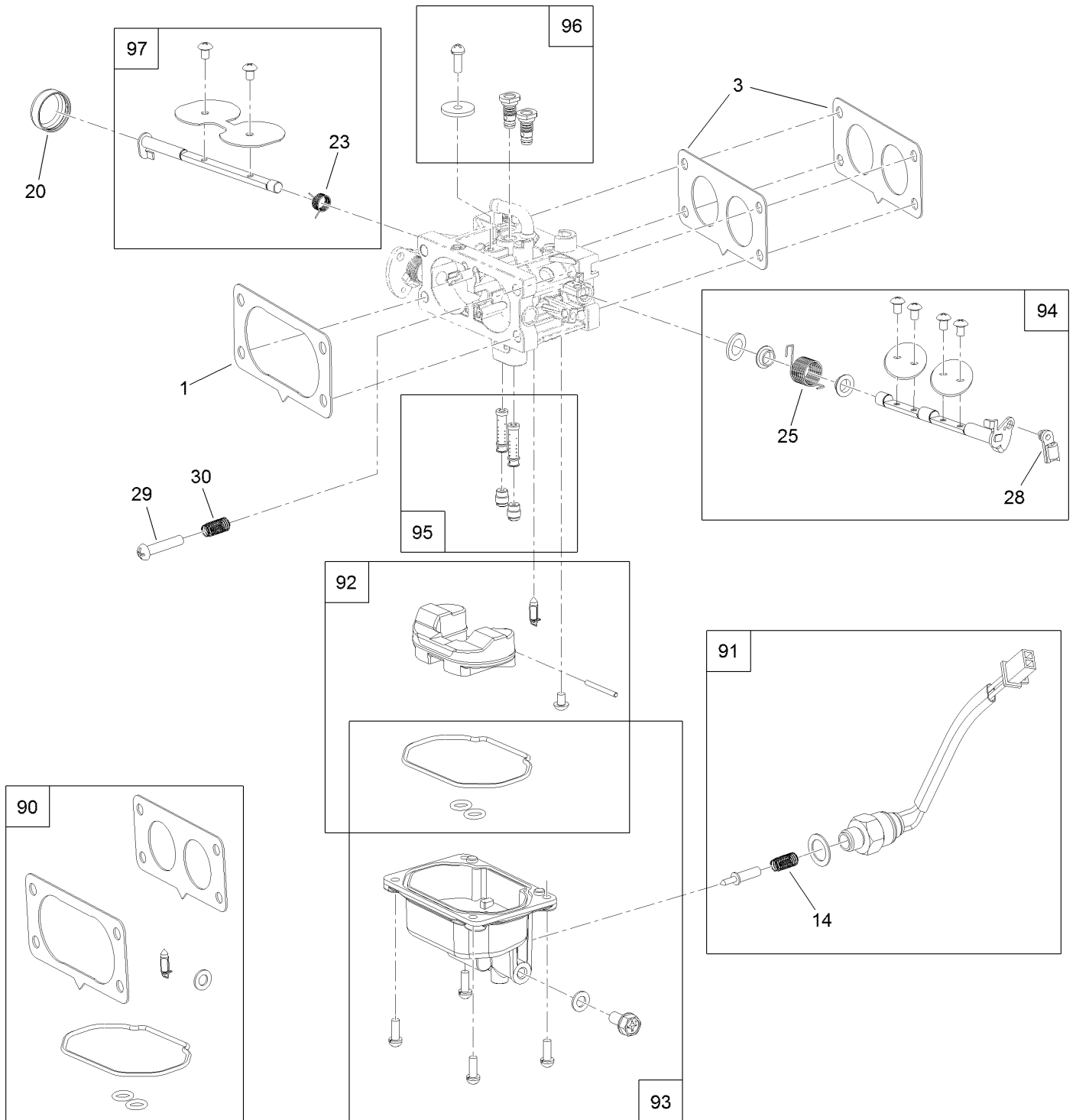


Fuel System Assembly (continued)

<i>Ref.</i>	<i>Part Number</i>	<i>Qty.</i>	<i>Description</i>	<i>Ref.</i>	<i>Part Number</i>	<i>Qty.</i>	<i>Description</i>
1	133-1563	1	Filter-Fuel	12	127-9246	2	Gasket-Carburetor
2	120-4251	6	Clamp-Fuel Line	13	127-9247	1	Insulator-Carburetor
3	120-4371	1	Line-Fuel	14	133-9963	1	Linkage-Throttle
4	127-9206	1	Pump-Fuel	15	133-9964	1	Spring-Return, Throttle
5	120-4225	2	Screw-HHF	16	127-9355	1	Sleeve-Fuel Line Protector
6	127-9205	1	Hose-Fuel	96	136-7842	1	Carburetor Replacement Kit ASM
7	127-9207	1	Hose-Fuel	97	127-9290	1	Carburetor Repair Kit
8	127-9230	2	Gasket-Intake	98	127-9292	1	Solenoid Kit
9	120-4284	4	Screw-HHF	99	136-7838	1	High Altitude Kit ●
10	127-9244	1	Manifold-Intake				
11	127-9245	4	Stud				

● Not illustrated

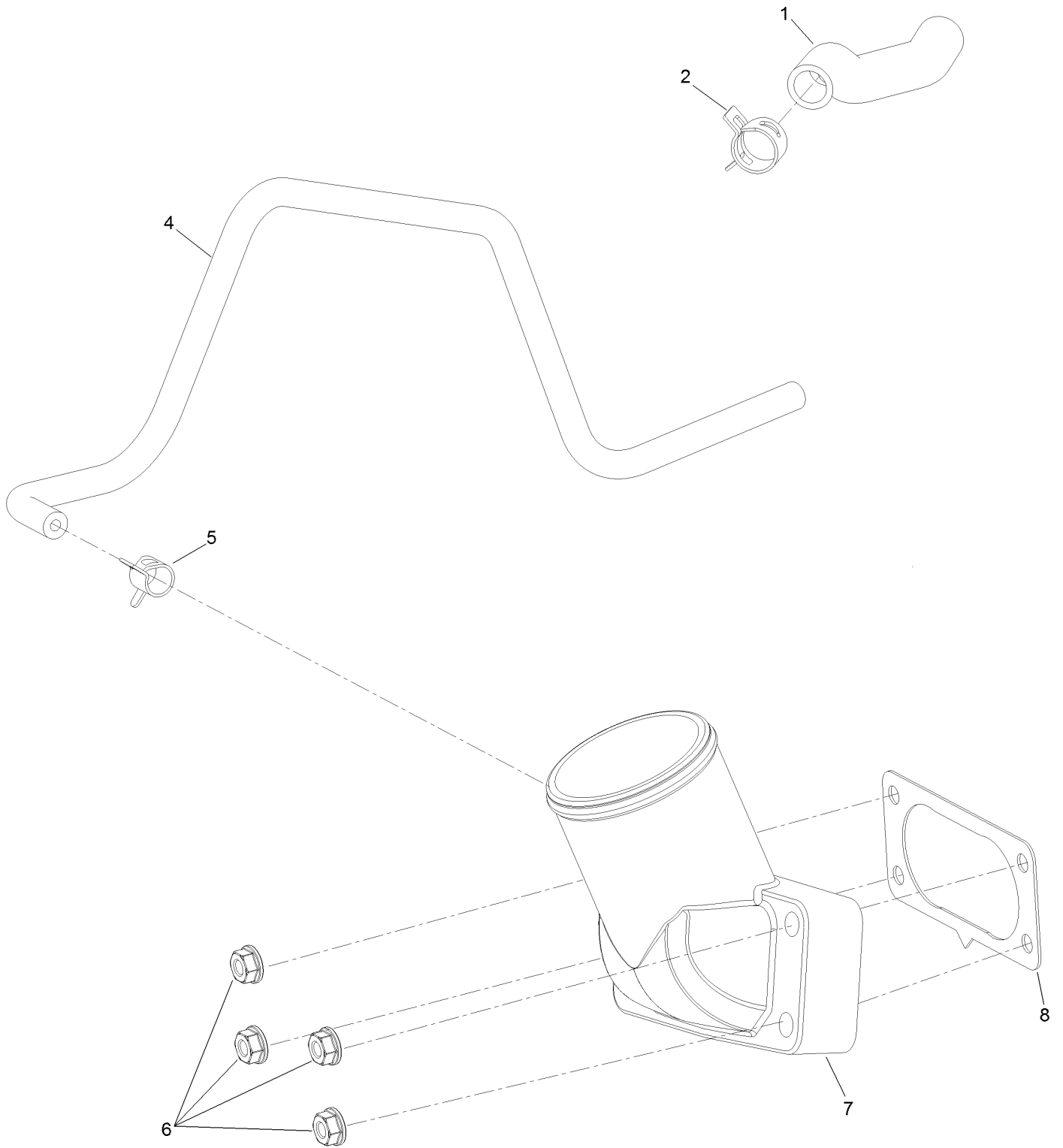
Carburetor Assembly



Carburetor Assembly (continued)

<i>Ref.</i>	<i>Part Number</i>	<i>Qty.</i>	<i>Description</i>	<i>Ref.</i>	<i>Part Number</i>	<i>Qty.</i>	<i>Description</i>
1	127-9251	1	Gasket-Carburetor	90	127-9290	1	Carburetor Repair Kit
3	127-9246	2	Gasket-Carburetor	91	127-9292	1	Solenoid Kit
14	127-9319	1	Spring	92	127-9340	1	Float Kit
20	127-9325	1	Cover-Shaft, Choke	93	127-9341	1	Bowl Kit
23	127-9328	1	Spring	94	133-9817	1	Throttle Shaft Kit
25	127-9330	1	Spring	95	136-7846	1	Nozzle And Jet Kit
28	127-9333	1	Clamp-Lock	96	136-7899	1	Idle Jet Kit
29	127-9334	1	Screw-PPH	97	127-9345	1	Choke Shaft Kit
30	127-9335	1	Spring				

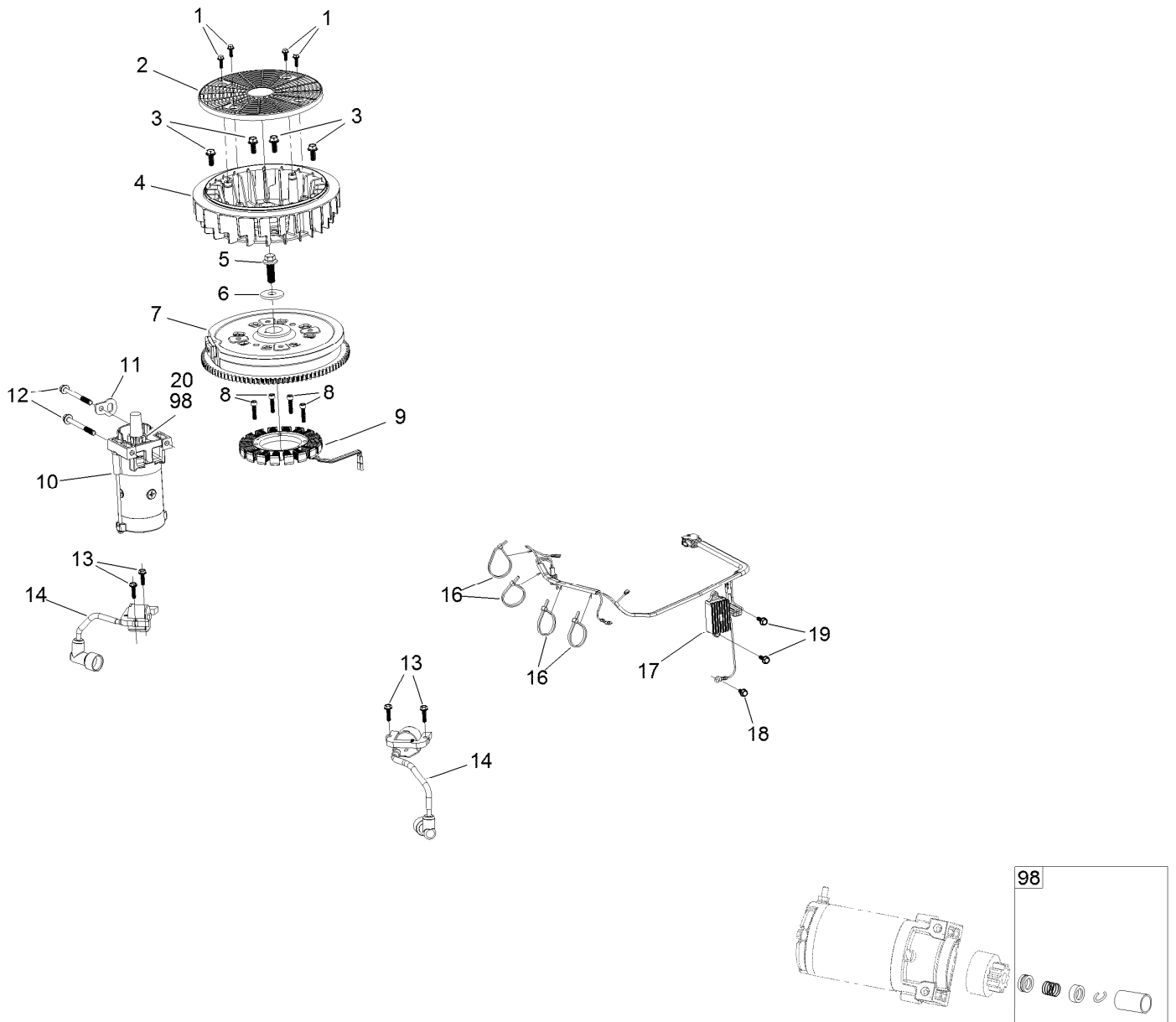
Air Intake and Filtration Assembly



Air Intake and Filtration Assembly (continued)

<i>Ref.</i>	<i>Part Number</i>	<i>Qty.</i>	<i>Description</i>	<i>Ref.</i>	<i>Part Number</i>	<i>Qty.</i>	<i>Description</i>
1	127-9235	1	Tube-Breather	6	120-4236	4	Nut-Flange
2	127-9234	2	Clamp-Hose	7	136-9241	1	Manifold-Intake
4	127-9253	1	Hose-Fuel	8	127-9251	1	Gasket-Carburetor
5	127-9187	1	Clamp-Hose				

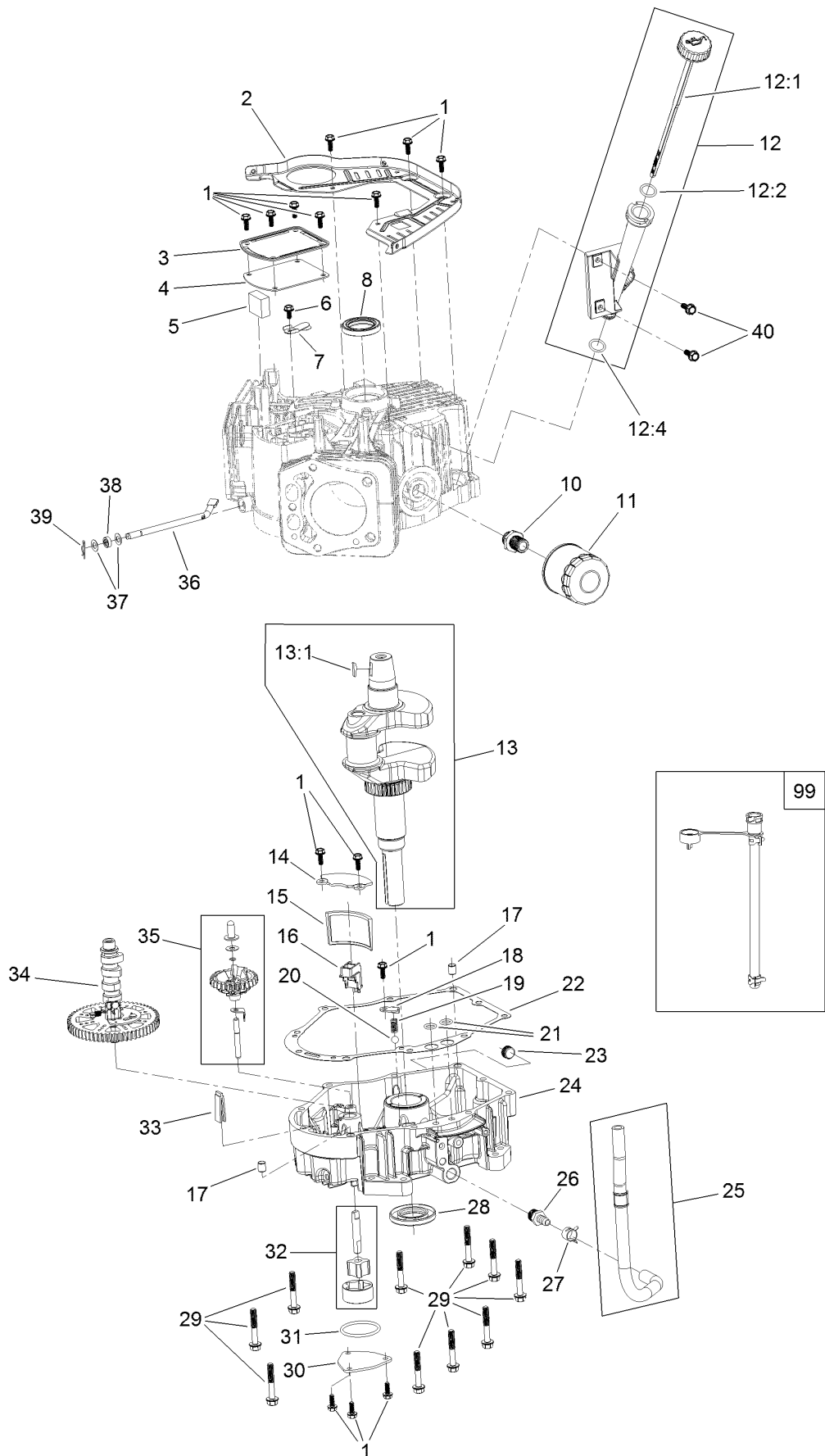
Ignition and Cooling Fan



Ignition and Cooling Fan (continued)

<i>Ref.</i>	<i>Part Number</i>	<i>Qty.</i>	<i>Description</i>	<i>Ref.</i>	<i>Part Number</i>	<i>Qty.</i>	<i>Description</i>
1	127-9197	4	Screw-HWH	12	120-4231	2	Screw-HHF
2	127-9198	1	Screen-Rotating	13	121-0007	4	Bolt-Flange
3	127-9199	4	Screw-HWH	14	136-7883	2	Ignition Coil ASM
4	127-9200	1	Fan-Cooling	16	127-9220	4	Tie-Zip
5	127-9201	1	Screw-HWH	17	136-7879	1	Regulator-Voltage, W/Harness
6	127-9202	1	Washer-Spring	18	120-4216	1	Screw-HHF
7	127-9306	1	Flywheel	19	120-4232	2	Screw-HHF
8	127-9210	4	Screw-HSH	20	133-1562	1	Pinion-Starter
9	136-7876	1	Alternator	98	133-1566	1	Starter Repair Kit
10	136-7880	1	Motor-Starter				
11	127-9208	1	Bracket-Lift				

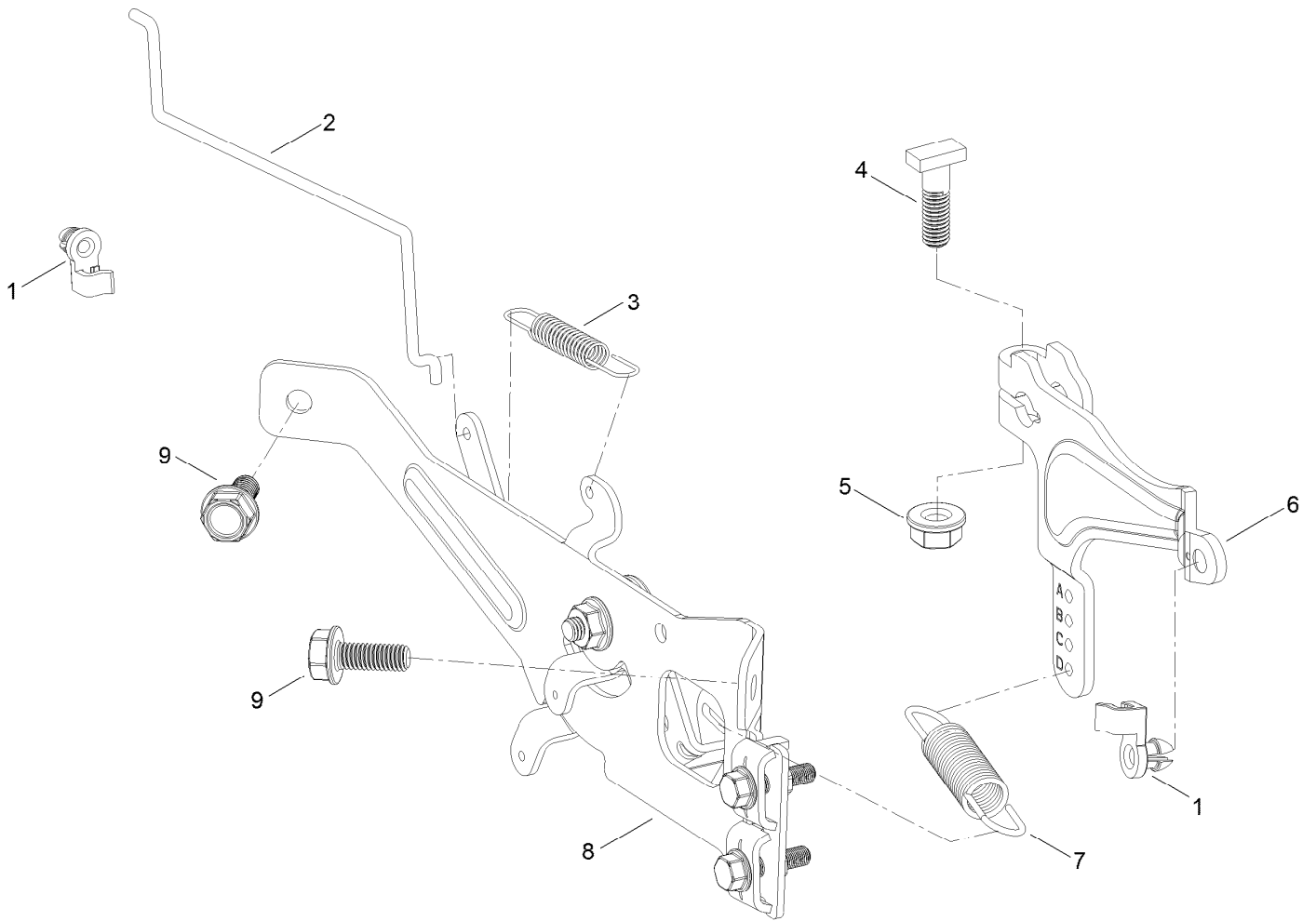
Crankcase and Crankshaft Assembly



Crankcase and Crankshaft Assembly (continued)

<i>Ref.</i>	<i>Part Number</i>	<i>Qty.</i>	<i>Description</i>	<i>Ref.</i>	<i>Part Number</i>	<i>Qty.</i>	<i>Description</i>
1	120-4232	14	Screw-HHF	20	127-9266	1	Valve-Ball
2	127-9212	1	Baffle	21	120-4262	2	O-Ring
3	127-9213	1	Cover-Breather	22	127-9267	1	Gasket-Cover, Crankcase
4	127-9214	1	Gasket-Breather	23	133-9805	1	Plug-Drain
5	127-9215	1	Filter-Breather	24	133-9806	1	Cover-Crankcase
6	120-4216	1	Screw-HHF	25	127-9293	1	Oil Drain Hose ASM
7	127-9217	1	Valve-Breather	26	127-9275	1	Fitting-Hose
8	120-4267	1	Seal-Oil	27	127-9276	1	Clamp-Hose
10	136-7884	1	Adaptor-Filter, Oil	28	127-9271	1	Seal
11	136-7848	1	Filter-Oil	29	121-0473	10	Screw-HHF
12	127-9218	1	Oil Tube ASM	30	127-9274	1	Cover-Oil Pump
12:1	127-9283	1	Dipstick	31	127-9273	1	O-Ring
12:2	127-9284	1	O-Ring	32	127-9272	1	Oil Pump ASM
12:4	127-9286	1	O-Ring	33	120-4275	1	Deflector-Oil, Rubber
13	127-9255	1	Crankshaft	34	133-1568	1	Camshaft
13:1	120-4320	1	Key-Woodruff	35	136-7882	1	Governor ASM
14	127-9261	1	Cover-Screen, Oil	36	127-9238	1	Shaft-Governor
15	127-9262	1	Screen-Oil	37	120-4258	2	Washer-Plain
16	127-9263	1	Retainer-Screen	38	120-4257	1	Seal-Oil
17	120-4274	2	Pin-Dowel	39	120-4256	1	Pin-Hair
18	127-9264	1	Plate-Retainer	40	120-4232	2	Screw-HHF
19	127-9265	1	Spring	99	144-0976	1	Oil Drain Service Kit

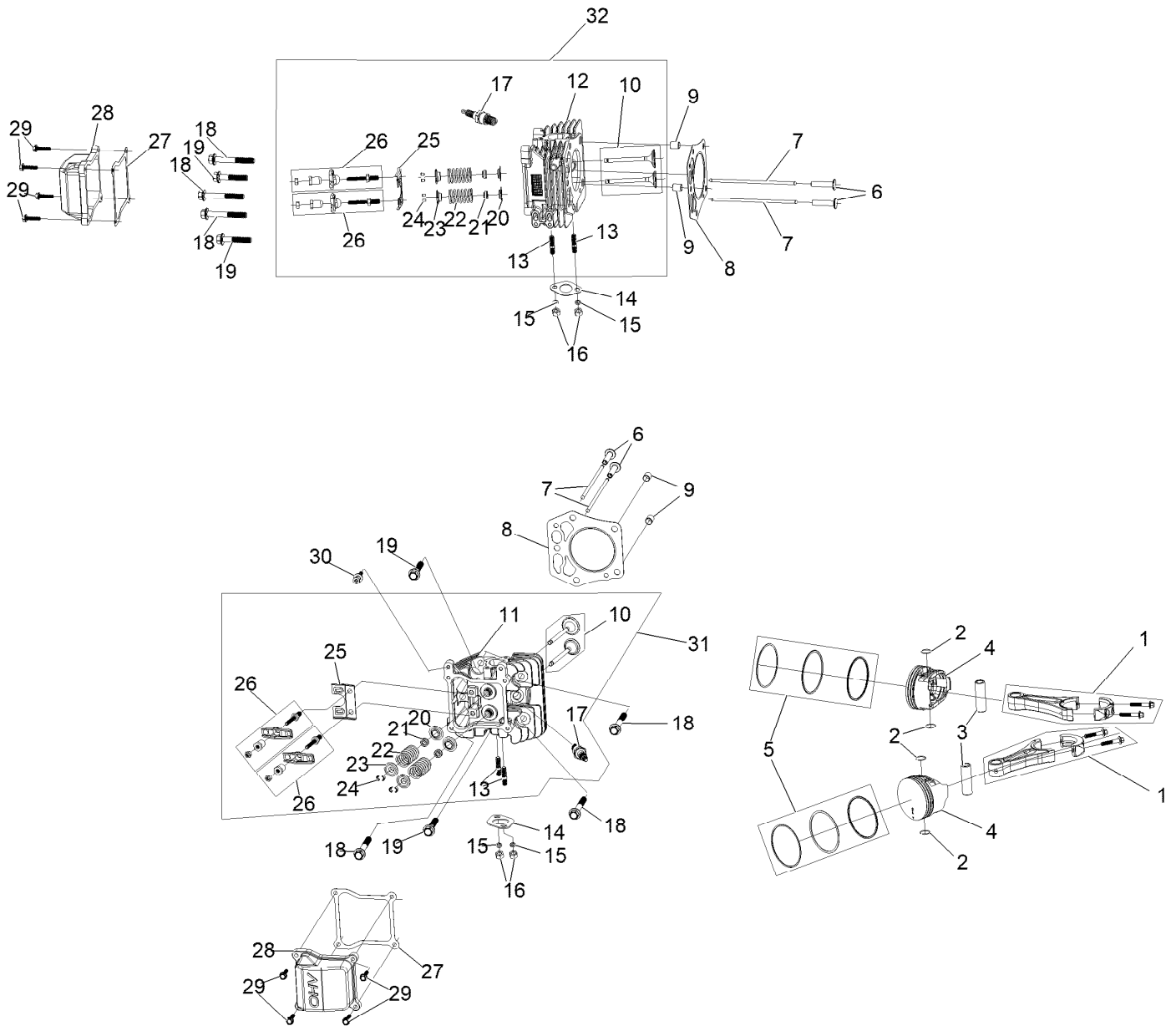
Governor Control Assembly



Governor Control Assembly (continued)

<i>Ref.</i>	<i>Part Number</i>	<i>Qty.</i>	<i>Description</i>	<i>Ref.</i>	<i>Part Number</i>	<i>Qty.</i>	<i>Description</i>
1	127-9250	2	Clip-Linkage	6	133-9961	1	Arm-Governor
2	127-9242	1	Linkage-Choke	7	133-9962	1	Spring-Governor
3	127-9241	1	Spring-Governor	8	133-1570	1	Control Plate ASM
4	120-4238	1	Bolt-Arm, Governor	9	120-4232	2	Screw-HHF
5	120-4236	1	Nut-Flange				

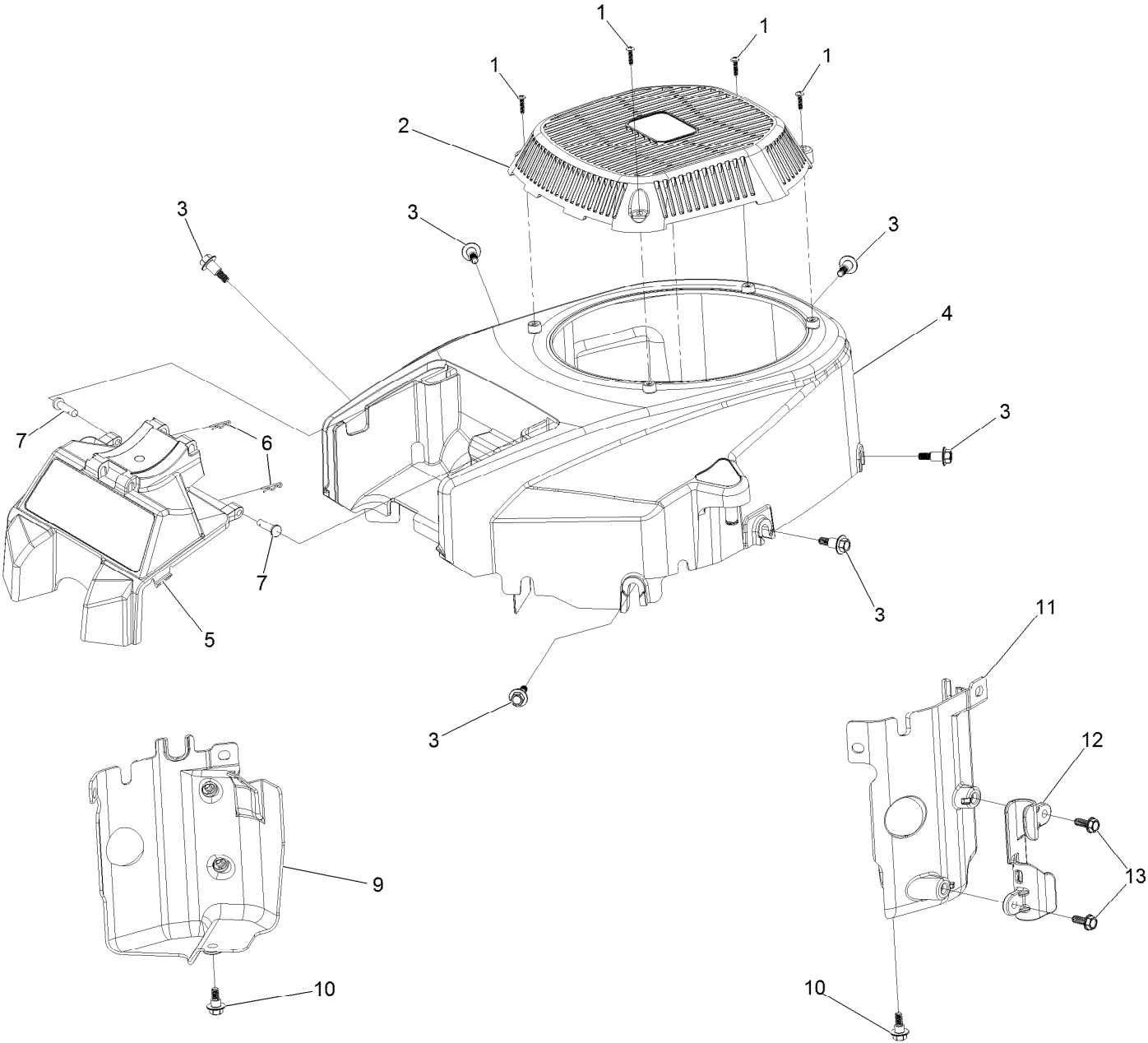
Piston and Cylinder Head Assembly



Piston and Cylinder Head Assembly (continued)

<i>Ref.</i>	<i>Part Number</i>	<i>Qty.</i>	<i>Description</i>	<i>Ref.</i>	<i>Part Number</i>	<i>Qty.</i>	<i>Description</i>
1	127-9256	2	Connecting Rod ASM	17	81-3250	2	Spark Plug
2	127-9258	4	Clip-Pin, Piston	18	127-9231	6	Screw-HWH
3	127-9257	2	Pin-Piston	19	127-9232	4	Screw-HWH
4	127-9259	2	Piston	20	120-4303	4	Seat-Spring, Valve
5	127-9260	2	Piston Ring Set	21	120-4304	4	Seal-Stem, Valve
6	127-9224	4	Lifter-Valve	22	120-4305	4	Spring-Valve
7	127-9225	4	Rod-Push	23	120-4306	4	Retainer-Spring, Valve
8	127-9226	2	Gasket-Head, Cylinder	24	120-4307	8	Keeper-Valve
9	127-9227	4	Pin-Dowel	25	127-9233	2	Plate-Guide, Push Rod
10	127-9228	2	Valve Set	26	136-7881	4	Rocker Arm ASM
11	133-9802	1	Head-Cylinder, Right	27	127-9295	2	Gasket-Valve Cover
12	133-9804	1	Head-Cylinder, Left	28	127-9050	2	Cover-Valve
13	121-0464	4	Stud-Exhaust	29	120-4225	8	Screw-HHF
14	120-4317	2	Gasket-Exhaust	30	120-4214	1	Screw-Shoulder, HH
15	127-9279	4	Washer-Lock, Split	31	136-7891	1	Complete Right Head ASM
16	121-0199	4	Nut-HH	32	136-7892	1	Complete Left Head ASM

Blower Housing Assembly

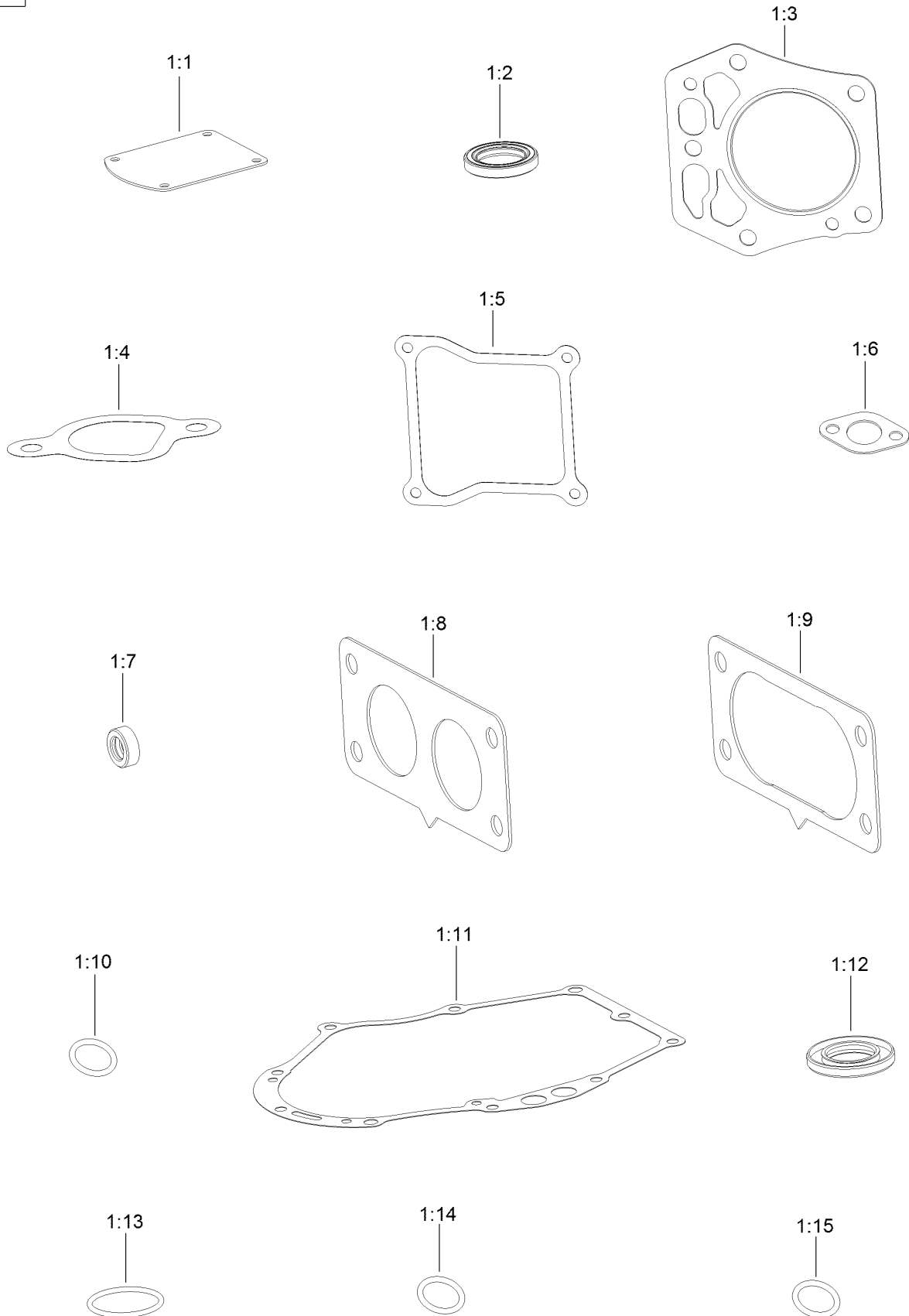


Blower Housing Assembly (continued)

<i>Ref.</i>	<i>Part Number</i>	<i>Qty.</i>	<i>Description</i>	<i>Ref.</i>	<i>Part Number</i>	<i>Qty.</i>	<i>Description</i>
1	133-1571	4	Screw-PPH, Plastic	7	127-9282	2	Pin
2	127-9045	1	Cover-Fan	9	136-7877	1	Baffle-Air, Left
3	127-9196	6	Screw-Shoulder, HWH	10	120-4210	2	Screw-Shoulder, HHF
4	133-1572	1	Shroud-Engine	11	136-7878	1	Baffle-Air, Right
5	136-5585	1	Support-Filter	12	127-9287	1	Cleat-Hose
6	127-9280	2	Pin-Hair	13	120-4232	2	Screw-HHF

Gasket and Seal Kit

1



Gasket and Seal Kit (continued)

<i>Ref.</i>	<i>Part Number</i>	<i>Qty.</i>	<i>Description</i>	<i>Ref.</i>	<i>Part Number</i>	<i>Qty.</i>	<i>Description</i>
1	127-9296	1	Gasket And Seal Kit	1:8	127-9246	2	Gasket-Carburetor
1:1	127-9214	1	Gasket-Breather	1:9	127-9251	1	Gasket-Carburetor
1:2	120-4267	1	Seal-Oil	1:10	120-4262	2	O-Ring
1:3	127-9226	2	Gasket-Head, Cylinder	1:11	127-9267	1	Gasket-Cover, Crankcase
1:4	127-9230	2	Gasket-Intake	1:12	127-9271	1	Seal
1:5	127-9295	2	Gasket-Valve Cover	1:13	127-9273	1	O-Ring
1:6	120-4317	2	Gasket-Exhaust	1:14	127-9284	1	O-Ring
1:7	120-4257	1	Seal-Oil	1:15	127-9286	1	O-Ring

Attachments and Accessories

For 22983 TRX-250 Trencher

Product Name	Model/Part
8in Chain Conversion Kit for 36in Soil Chain	117-3480
Crumber Kit	22477
24in X 4in Soil Chain	22480
24in X 4in Combination Chain	22481
24in X 4in Rock Tooth Chain	22482
24in X 6in Soil Chain	22483
24in X 6in Combination Chain	22484
24in X 6in Rock Tooth Chain	22485
36in X 4in Soil Chain	22486
36in X 4in Combination Chain	22487
36in X 4in Rock Tooth Chain	22488
36in X 6in Rock Tooth Chain	22489
36in X 6in Soil Chain	22490
36in X 6in Combination Chain	22491
48in x 4in Soil Chain	22492
48in x 4in Combination Chain	22493
48in x 6in Soil Chain	22494
48in x 6in Combination Chain	22495
24in X 4in Bullet Chain	22496
24in X 6in Bullet Chain	22497
36in X 4in Bullet Chain	22498
36in X 6in Bullet Chain	22499
24in Trencher Boom	22975
36in Trencher Boom	22976
48in Trencher Boom	22977
Bore Drive Attachment	22978
Backfill Blade	22980
Spark Arrestor Screen	94-8157

Notes:

Notes:

Notes:



Count on it.