



44" Baffle Kit

TimeCutter™ Z Riding Mowers

Part No. 105-6979

Form No. 3326-771

Installation Instructions

Note: If your mower housing already has holes to attach the baffle kit, proceed to step 5.

1. Remove the mower from the tractor; refer to the Operator's Manual for the proper procedure.
2. Remove the carriage bolt plugging the hole in the left front edge of the mower housing (Fig. 1).
3. Place the grass baffle inside the front edge of the mower. The baffle plate should rest on the front edge of the mower. The right tab on the baffle should extend 1/8 in. (3 mm) outside of the right edge of the mower (Fig. 1). Use a clamp to hold the baffle in place.
4. Mark where the holes in the baffle are and remove the clamp and grass baffle. Drill 4 holes (11/32 in.)
5. Install the grass baffle inside the front edge of the mower using 3 long carriage bolts (5/16 x 7/8 in.) and 3 thick locknuts (5/16 in.) along the front. At the right side use the short carriage bolt (5/16 x 1/2 in.) and thin locknut (5/16 in.) (Fig. 1).

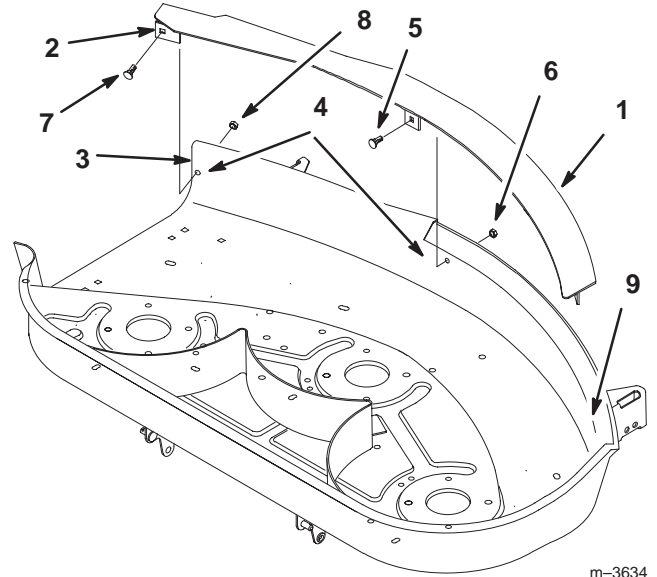


Figure 1

1. Grass baffle
2. Right tab on baffle
3. Right edge of mower
4. Drill 11/32 in. hole
5. Long carriage bolt, 5/16 x 7/8 in.
6. Thick locknut, 5/16 in.
7. Short carriage bolt, 5/16 x 1/2 in.
8. Thin locknut, 5/16 in.
9. Remove the carriage bolt plugging the hole in this area.