



Leak Detector Kit

Reelmaster[®] 5000 and 6000 Series

Model No. 03521

Parts Catalog

Ordering Replacement Parts

To order replacement parts, please supply: the part number, the quantity, and the description of each part desired.

Understanding Reference Numbers

Each identified part in an illustration has a reference number. The reference number for a part also appears in the parts list, along with other information about the part.

This catalog uses two special reference number formats, one to indicate parts in a service assembly and another to indicate the quantity of a given part in an illustration.

Service Assembly Reference Numbers

Parts in service assemblies have reference numbers in the form **a:b**. The **a** represents the reference number of the entire service assembly and the **b** represents a sequential number unique to each part within the service assembly.

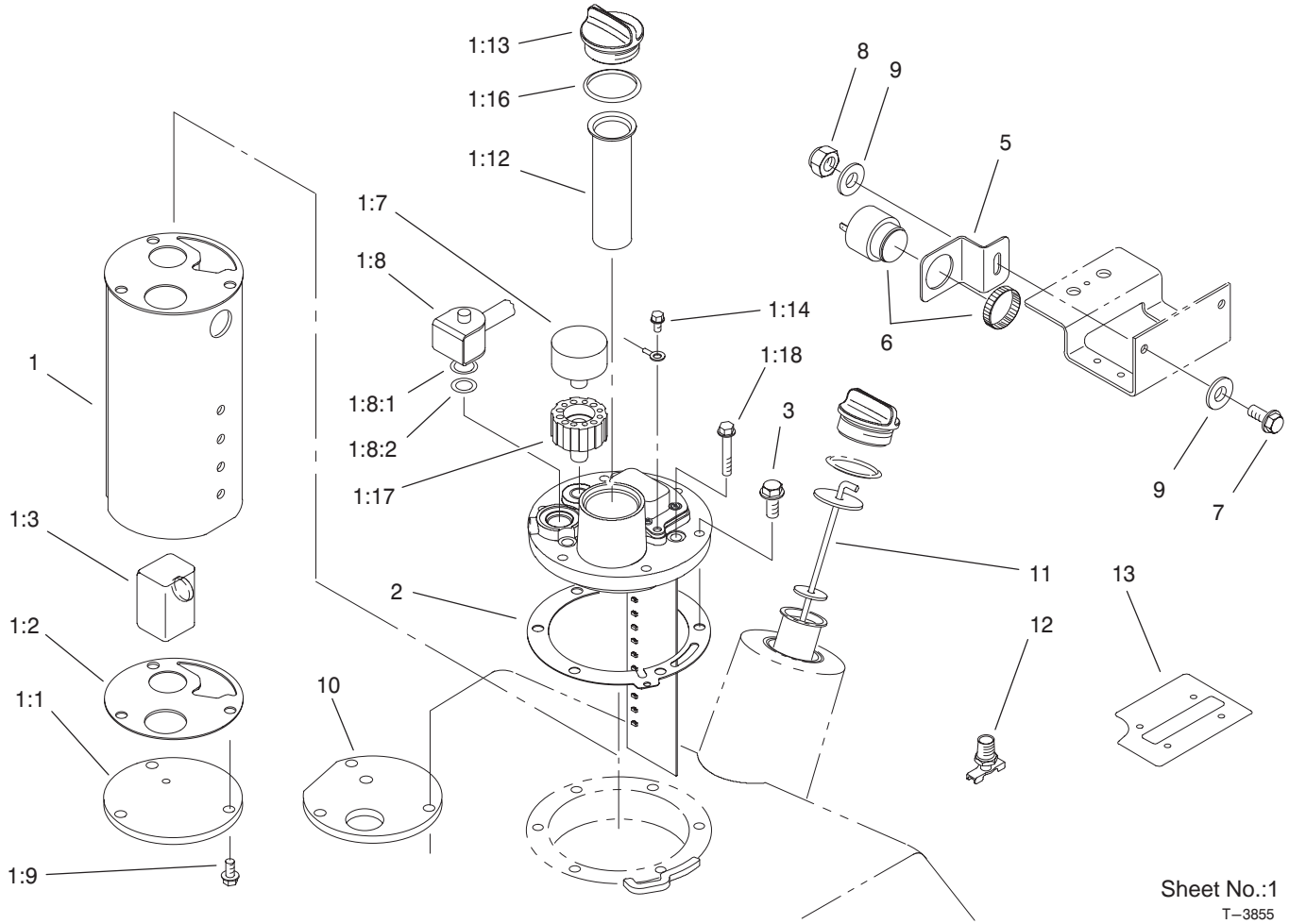
For example, a wheel assembly might be identified by reference number **6**, the tire by **6:1**, the valve by **6:2**, and the wheel by **6:3**. When you order the assembly identified by reference number **6**, you receive all parts identified by reference numbers **6:1**, **6:2**, and **6:3**. However, you may also order any part individually.

Reference numbers of this type appear in illustrations and in part lists.

Reference Numbers Indicating Quantity

In an illustration, if a reference number indicates more than one part, the reference number has the form **nX y**. The **n** represents the quantity of the part, the **X** is the multiplication symbol, and the **y** represents the reference number.

For example, in an illustration, the reference number **2X 37** means that two of the parts identified by reference number **37** are indicated.

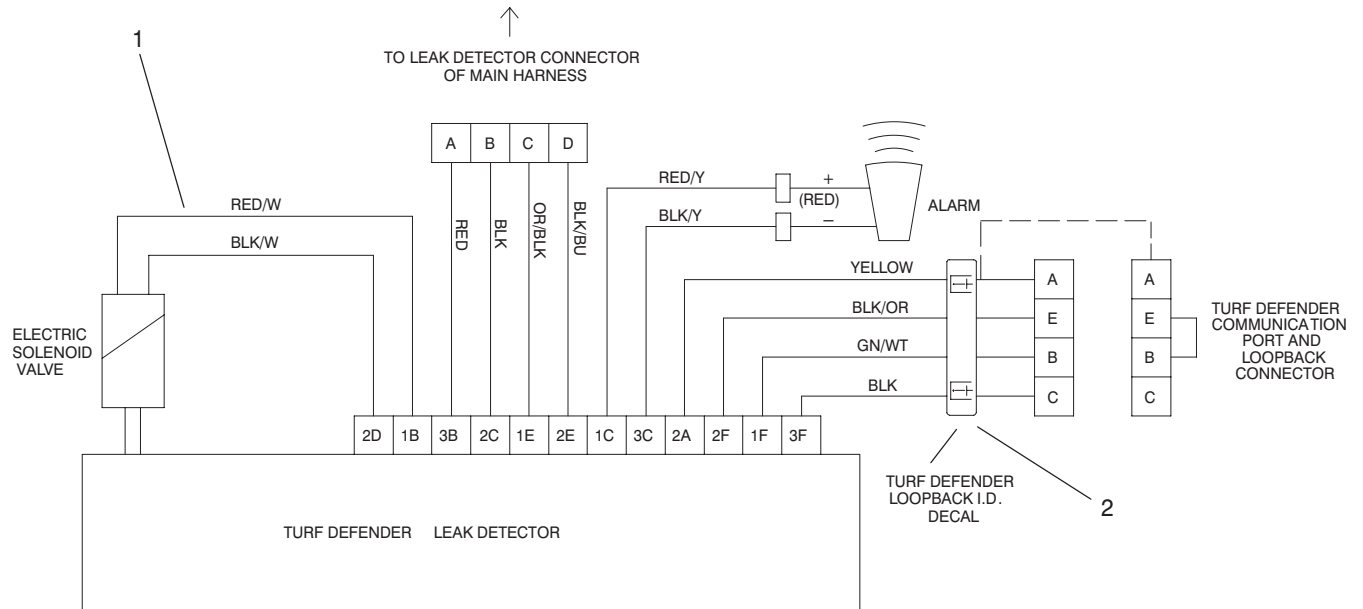


Sheet No.:1
T-3855

Leak Detector Assembly

Ref. No.	Part No.	Qty.	Description
1	105-6249	1	Leak Detector ASM
1:1	98-3314	1	Cap-Bottom
1:2	94-2652	2	Gasket-Flange
1:3	98-3318	1	Leak Detector Float ASM
1:7	68-6150	1	Breather-Air
1:8	94-2658	1	Valve-Solenoid
1:8:1	237-79	1	O-Ring
1:8:2	237-122	1	O-Ring
1:9	322-3	3	Screw-HH
1:12	92-1705	1	Filter-Screen
1:13	93-7498	1	Plug-Plastic
1:14	32144-73	2	Screw-HWH
1:16	237-101	1	O-Ring
1:17	92-8020	1	Adapter-Breather
1:18	3274-86	3	Screw-HSH
2	94-2660	1	Gasket-Flange
3	94-3559	6	Screw-SH
5	94-3343	1	Bracket-Beeper
6	94-5582	1	Alarm-Audio
7	321-4	1	Screw-HH
8	3296-42	1	Nut-Lock, NI
9	3256-22	2	Washer-Flat
10	94-2651	1	Cover-Bottom
11	94-9411	1	Dipstick

Ref. No.	Part No.	Qty.	Description
12	304-46	1	Draincock
13	94-5386	1	Decal-Turf Defend



Sheet No.:2
T-2067

Electrical Schematic

Ref. No.	Part No.	Qty.	Description
1	94-4222	1	Harness-Wire
2	94-6345	1	Decal
*3	94-6969	2	Splice-Butt

Ref. No.	Part No.	Qty.	Description

* Not illustrated

