



Greensmaster[®] 1600

Traction Unit

Model No. 04060 – 220000001 and up

Parts Catalog

Ordering Replacement Parts

To order replacement parts, please supply: the part number, the quantity, and the description of each part desired.

Understanding Reference Numbers

Each identified part in an illustration has a reference number. The reference number for a part also appears in the parts list, along with other information about the part.

This catalog uses two special reference number formats, one to indicate parts in a service assembly and another to indicate the quantity of a given part in an illustration.

Service Assembly Reference Numbers

Parts in service assemblies have reference numbers in the form **a:b**. The **a** represents the reference number of the entire service assembly and the **b** represents a sequential number unique to each part within the service assembly.

For example, a wheel assembly might be identified by reference number **6**, the tire by **6:1**, the valve by **6:2**, and the wheel by **6:3**. When you order the assembly identified by reference number **6**, you receive all parts identified by reference numbers **6:1**, **6:2**, and **6:3**. However, you may also order any part individually.

Reference numbers of this type appear in illustrations and in part lists.

Reference Numbers Indicating Quantity

In an illustration, if a reference number indicates more than one part, the reference number has the form **nX y**. The **n** represents the quantity of the part, the **X** is the multiplication symbol, and the **y** represents the reference number.

For example, in an illustration, the reference number **2X 37** means that two of the parts identified by reference number **37** are indicated.

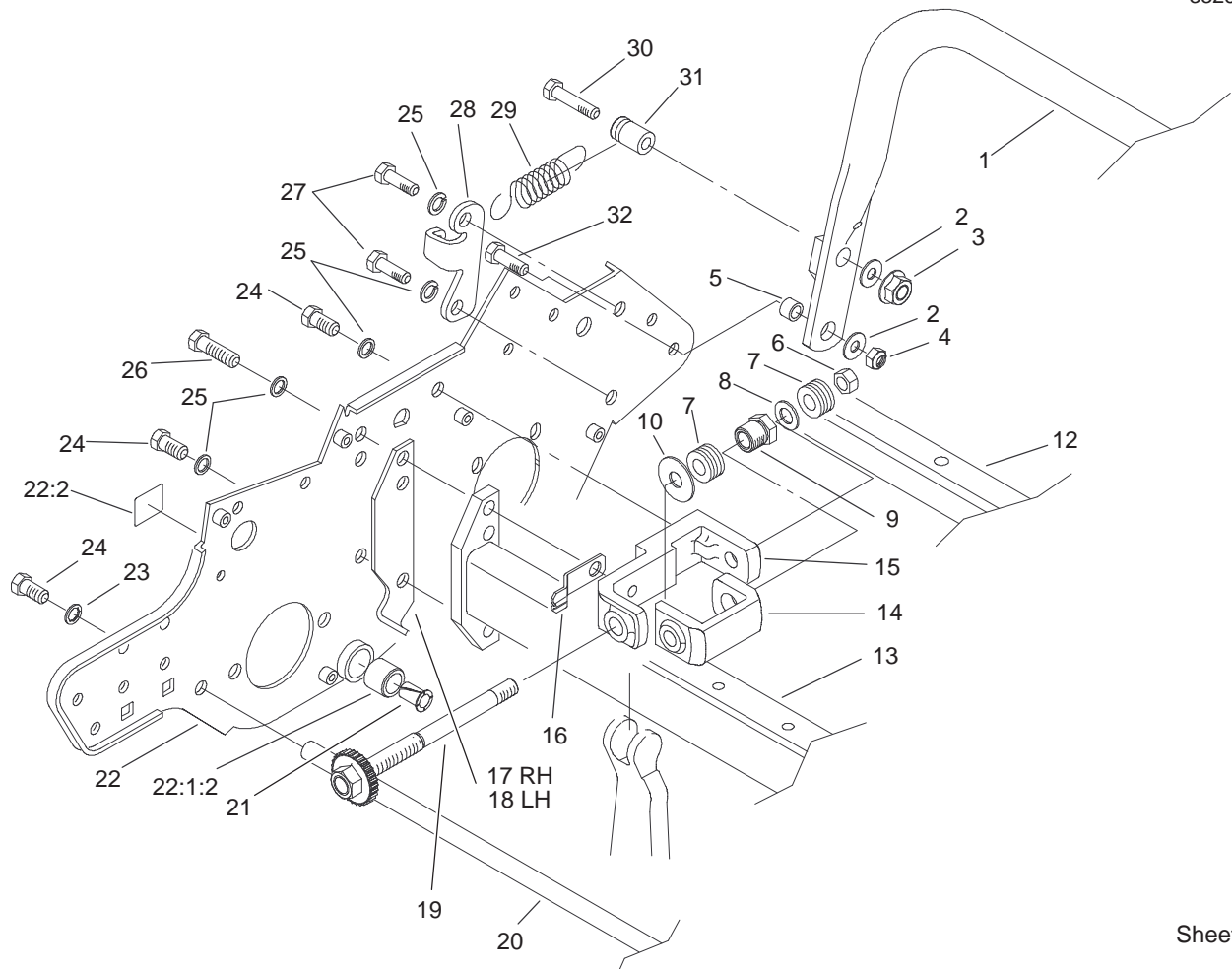
Contents

| Description | Page | Description | Page |
|---|------|--|------|
| Frame Assembly | 3 | Handle and Controls Assembly | 15 |
| Engine Mount and Frame Assembly | 4 | Roller and HOC Bar Assembly | 16 |
| Reel Drive Assembly | 5 | Crankcase Assembly | 17 |
| Reel Assembly | 7 | Camshaft and Valve Assembly | 18 |
| Drum Drive Assembly | 8 | Ignition Assembly | 19 |
| Drum and Basket Assembly | 9 | Governor Assembly | 20 |
| Differential Assembly No. 93-9041 | 10 | Carburetor Assembly | 21 |
| Inner Crankshaft Assembly | 11 | Air Cleaner and Muffler Assembly | 22 |
| Outer Crankshaft Assembly | 12 | Fuel Tank Assembly | 23 |
| Engine Assembly | 13 | Decals | 24 |
| Bellcrank Assembly | 14 | Special Tools | 25 |

Part Description Abbreviations

Part descriptions in this catalog may include the following abbreviations.

| Abbreviation | Meaning | Abbreviation | Meaning |
|--------------|-----------------------------------|--------------|-------------------------|
| AR | as required | HYD | hydraulic |
| ASM | assembly | INC | incorporated |
| CARR | carriage | LH | left hand |
| DEG | degrees | NI | nylon insert |
| FH | flat head | PPH | Phillips pan head |
| GA | gauge | PTH | Phillips truss head |
| HF | hex flange | PTO | power take off |
| HH | hex head | RH | right hand |
| HHF | hex head flange | SFH | slotted fillister head |
| HLH | hex lag head | SHH | slotted hex head |
| HJ | hex jam | SQH | square head |
| HOC | height-of-cut | SHWH | slotted hex washer head |
| HS | hex socket | SPH | slotted pan head |
| HSBH | hex socket button head | SRH | slotted round head |
| HSFH | hex socket flat head | STD | standard |
| HSH | hex socket head | TAP | self tapping |
| HWH | hex washer head | TTH | Torx truss head |
| HWHTF | hex washer head thread forming | WH | wing head |

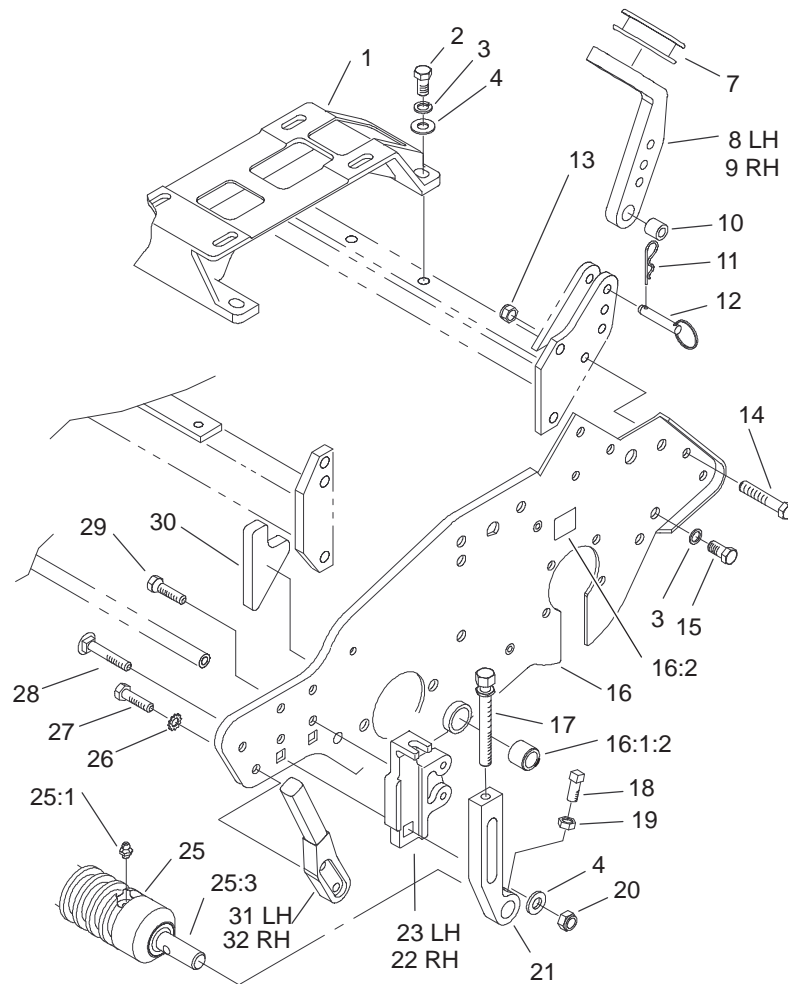


Sheet No.:2

Frame Assembly

| Ref. No. | Part No. | Qty. | Description | Ref. No. | Part No. | Qty. | Description |
|----------|------------|------|--------------------------------|----------|----------|------|--------------------------------|
| 1 | 93-9019-03 | 1 | Kickstand | 22:1:2 | 63-9510 | 1 | Bushing |
| 2 | 3256-2 | 3 | Washer-Flat | 22:2 | 93-9356 | 2 | Decal-Warning, Belt |
| 3 | 32128-25 | 1 | Nut-Flange | 22:2 | 93-9389 | 2 | Decal-Warning, Belt (Japan) |
| 4 | 3296-29 | 2 | Nut-Lock, NI | 23 | 3254-6 | 2 | Washer-Lock, Internal |
| 5 | 65-7910 | 2 | Spacer | 24 | 323-4 | 6 | Screw-HH |
| 6 | 3296-48 | 2 | Nut-Lock NI | 25 | 3253-21 | 8 | Washer-Lock |
| 7 | 93-9043 | 32 | Washer-Spring, Belleville | 26 | 323-6 | 2 | Screw-HH |
| 8 | 94-5858 | 2 | Washer | 27 | 323-5 | 2 | Screw-HH |
| 9 | 98-5913 | 2 | Nut-Spring | 28 | 65-7890 | 1 | Bracket |
| 10 | 94-5859 | 2 | Washer-Hardened | 29 | 65-7880 | 1 | Spring-Extension |
| 12 | 93-9026-01 | 1 | Frame-Rear | 30 | 322-10 | 1 | Screw-HH |
| 13 | 93-9032-01 | 1 | Frame-Front | 31 | 65-7900 | 1 | Retainer-Spring |
| 14 | 98-5912 | 2 | Channel-Adjuster, Bedbar | 32 | 322-5 | 2 | Screw-HH |
| 15 | 94-5854 | 2 | Frame-Adjuster, Bedbar | | | | |
| 16 | 94-5856 | 2 | Spring-Detent | | | | |
| 17 | 88-7100 | 1 | Spacer-RH | | | | |
| 18 | 88-7090 | 1 | Spacer-LH | | | | |
| 19 | 94-5873 | 2 | Screw ASM | | | | |
| 20 | 94-5867 | 1 | Rod-Frame | | | | |
| 21 | 52-2890 | 2 | Bushing-Nylon | | | | |
| 22 | 94-9004 | 1 | RH Side Plate ASM | | | | |
| ☆22:1 | | 1 | RH Side Plate / Bushing ASM | | | | |

☆ Not serviced separately



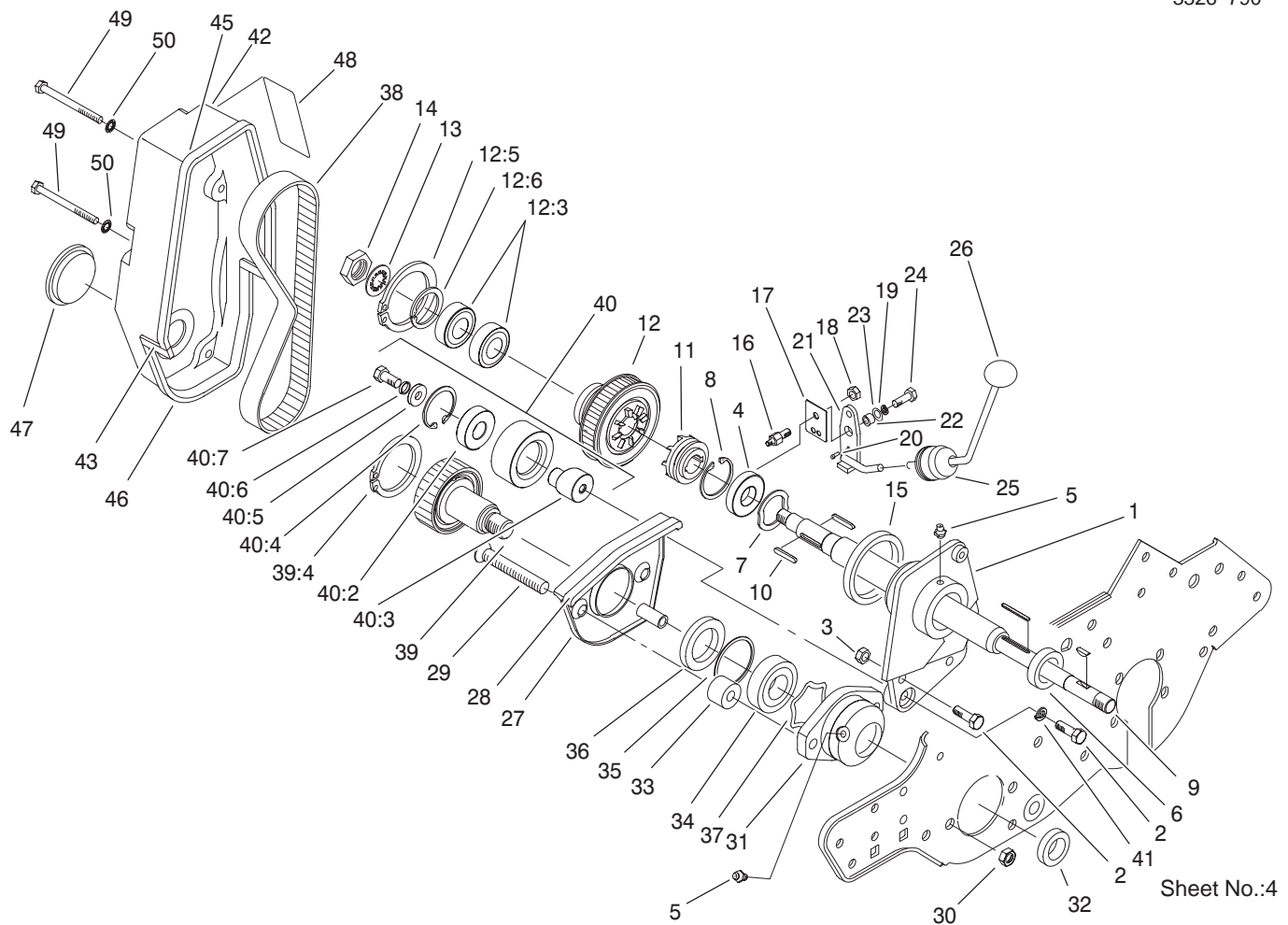
Sheet No.:3

Engine Mount and Frame Assembly

| Ref. No. | Part No. | Qty. | Description |
|----------|----------|------|-----------------------------|
| 1 | 88-7670 | 1 | Mount-Engine |
| 2 | 323-5 | 4 | Screw-HH |
| 3 | 3253-21 | 8 | Washer-Lock |
| 4 | 3256-24 | 6 | Washer-Flat |
| 7 | 65-7510 | 2 | Grommet-Handle |
| 8 | 93-6038 | 1 | Arm-Handle Support, LH |
| 9 | 93-6037 | 1 | Arm-Handle Support, RH |
| 10 | 93-6024 | 2 | Bushing-Support, Handle |
| 11 | 3290-467 | 2 | Pin-Hair |
| 12 | 93-6029 | 2 | Pin-Clevis, Ring |
| 13 | 3296-29 | 2 | Nut-Lock, NI |
| 14 | 322-9 | 2 | Screw-HH |
| 15 | 323-4 | 4 | Screw-HH |
| 16 | 94-9005 | 1 | LH Side Plate ASM |
| ☆16:1 | | 1 | LH Side Plate / Bushing ASM |
| 16:1:2 | 63-9510 | 1 | Bushing |
| 16:2 | 93-9356 | 1 | Decal-Warning, Belt |
| 16:2 | 93-9389 | 1 | Decal-Warning, Belt (Japan) |
| 17 | 93-6051 | 2 | Screw-HOC |
| 18 | 3242-4 | 2 | Screw-Set, SQH |
| 19 | 3218-2 | 2 | Nut-Jam |

| Ref. No. | Part No. | Qty. | Description |
|----------|----------|------|-----------------------|
| 20 | 32128-21 | 2 | Nut-HF |
| 21 | 93-6090 | 2 | Arm-HOC |
| 21 | 99-4286 | 2 | Arm-HOC, Extended |
| 22 | 93-6048 | 1 | Bracket-HOC, RH |
| 23 | 93-6049 | 1 | Bracket-HOC, LH |
| 25 | 93-9039 | 1 | Weihle Roller ASM |
| 25:1 | 302-5 | 2 | Fitting-Grease |
| 25:3 | 52-3180 | 2 | Bearing-Roller, Front |
| 26 | 3255-8 | 4 | Washer-Lock/Ext |
| 27 | 322-2 | 4 | Screw-HH |
| 28 | 3231-5 | 2 | Screw-CARR |
| 29 | 92-8914 | 4 | Bolt-Tapered Face |
| 30 | 93-6064 | 1 | Seal-Catcher, Grass |
| 31 | 93-9018 | 1 | Rod-Basket, LH |
| 32 | 93-9017 | 1 | Rod-Basket, RH |

☆ Not serviced separately

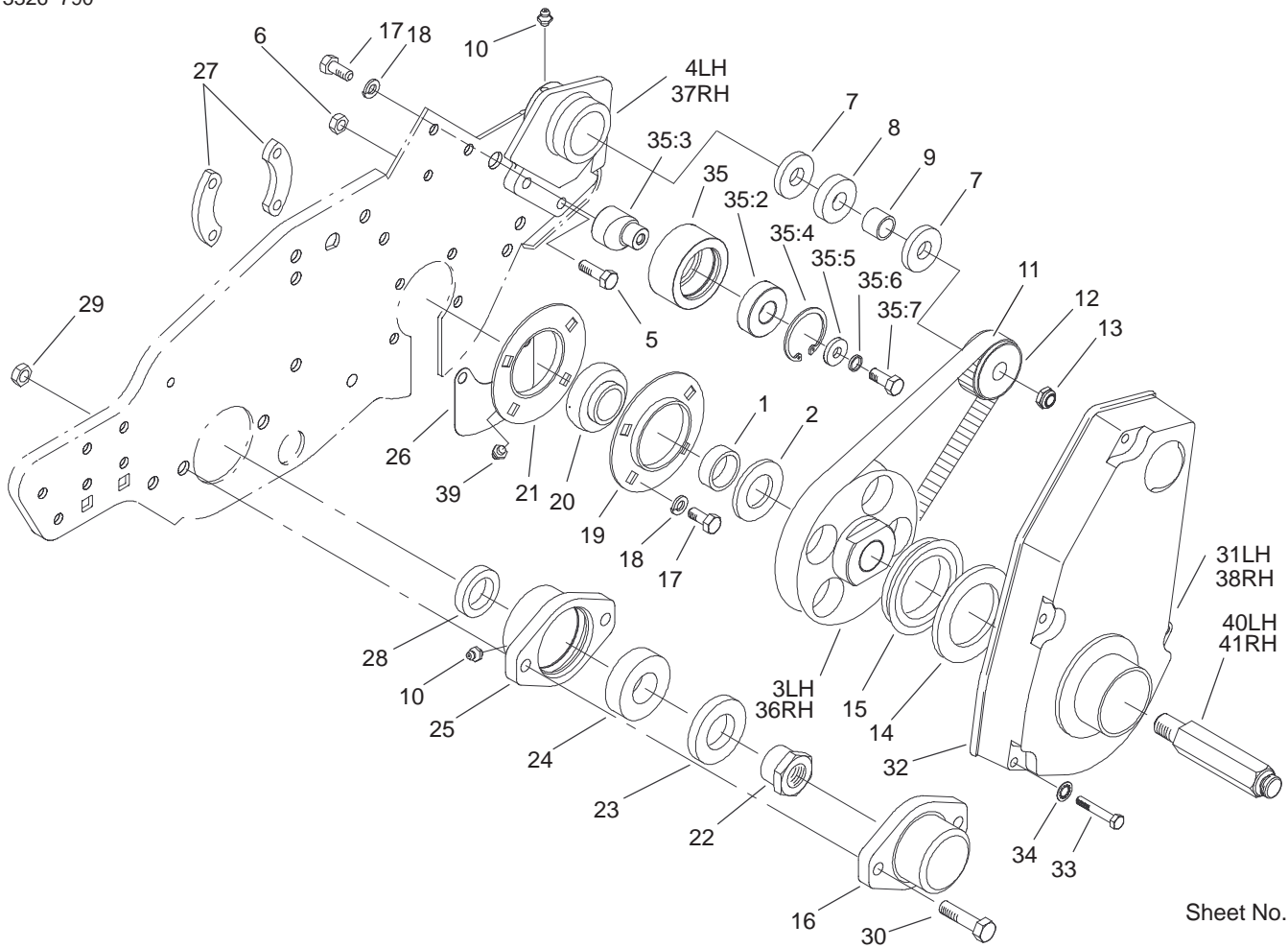


Sheet No.:4

Reel Drive Assembly

| Ref. No. | Part No. | Qty. | Description |
|----------|----------|------|--------------------------|
| 1 | 92-8013 | 1 | Housing-Clutch |
| 2 | 322-5 | 3 | Screw-HH |
| 3 | 3296-29 | 2 | Nut-Lock, NI |
| 4 | 251-318 | 1 | Bearing |
| 5 | 302-5 | 2 | Fitting-Grease |
| 6 | 253-118 | 1 | Seal-Oil |
| 7 | 88-7720 | 1 | Spring-Wave |
| 8 | 32120-11 | 1 | Ring-Retaining |
| 9 | 94-5872 | 1 | Shaft-Power |
| 10 | 88-7150 | 2 | Key |
| 11 | 65-6940 | 1 | Clutch-Slider, Jaw |
| 12 | 88-7830 | 1 | Clutch & Pulley ASM |
| 12:3 | 251-336 | 2 | Bearing |
| 12:5 | 32151-95 | 1 | Ring-Retaining |
| 12:6 | 32151-89 | 1 | Ring-Retaining, Bowed |
| 13 | 3254-4 | 1 | Washer-Lock/Int |
| 14 | 3220-5 | 1 | Nut-Jam |
| 15 | 65-6970 | 1 | Seal-Felt |
| 16 | 93-9014 | 1 | Pin-Clutch, Actuator |
| 17 | 65-6290 | 1 | Spring-Detent, Clutch |
| 18 | 3296-42 | 1 | Nut-Lock, NI |
| 19 | 3253-3 | 1 | Washer-Lock |
| 20 | 95-5731 | 1 | Screw-Drive |
| 21 | 88-7170 | 1 | Lever-Clutch |
| 22 | 88-7860 | 1 | Spacer-Clutch |

| Ref. No. | Part No. | Qty. | Description |
|----------|------------|------|--------------------|
| 23 | 3290-414 | 1 | Washer-Belleville |
| 24 | 321-4 | 1 | Screw-HH |
| 25 | 65-8960 | 1 | Boot-Clutch |
| 26 | 233-69 | 1 | Knob |
| 27 | 65-7190-01 | 1 | Cover-Arm, Groomer |
| 28 | 65-7131 | 1 | Seal-Cover, Strip |
| 29 | 3289-23 | 2 | Capscrew |
| 30 | 3296-39 | 2 | Nut-Lock, NI |
| 31 | 65-8640 | 1 | Housing-Bearing |
| 32 | 253-96 | 1 | Seal-Oil |
| 33 | 65-8290 | 2 | Standoff-Cover |
| 34 | 251-342 | 1 | Bearing-Ball |
| 35 | 32151-92 | 1 | Ring-Retaining |
| 36 | 253-163 | 1 | Seal |
| 37 | 3290-485 | 1 | Washer-Wave |
| 38 | 65-6200 | 1 | Belt |
| 39 | 88-7840 | 1 | Pulley & Drive ASM |
| 39:4 | 32151-95 | 1 | Ring-Retaining |
| 40 | 88-7850 | 1 | Idler Pulley ASM |
| 40:2 | 38-7820 | 1 | Bearing-Ball |
| 40:3 | 88-7190 | 1 | Spacer |
| 40:4 | 32120-42 | 1 | Ring-Retaining |
| 40:5 | 88-7200 | 1 | Washer-Flat |
| 40:6 | 3253-4 | 1 | Washer-Lock |
| 40:7 | 322-3 | 1 | Screw-HH |
| 41 | 3253-4 | 1 | Washer-Lock |

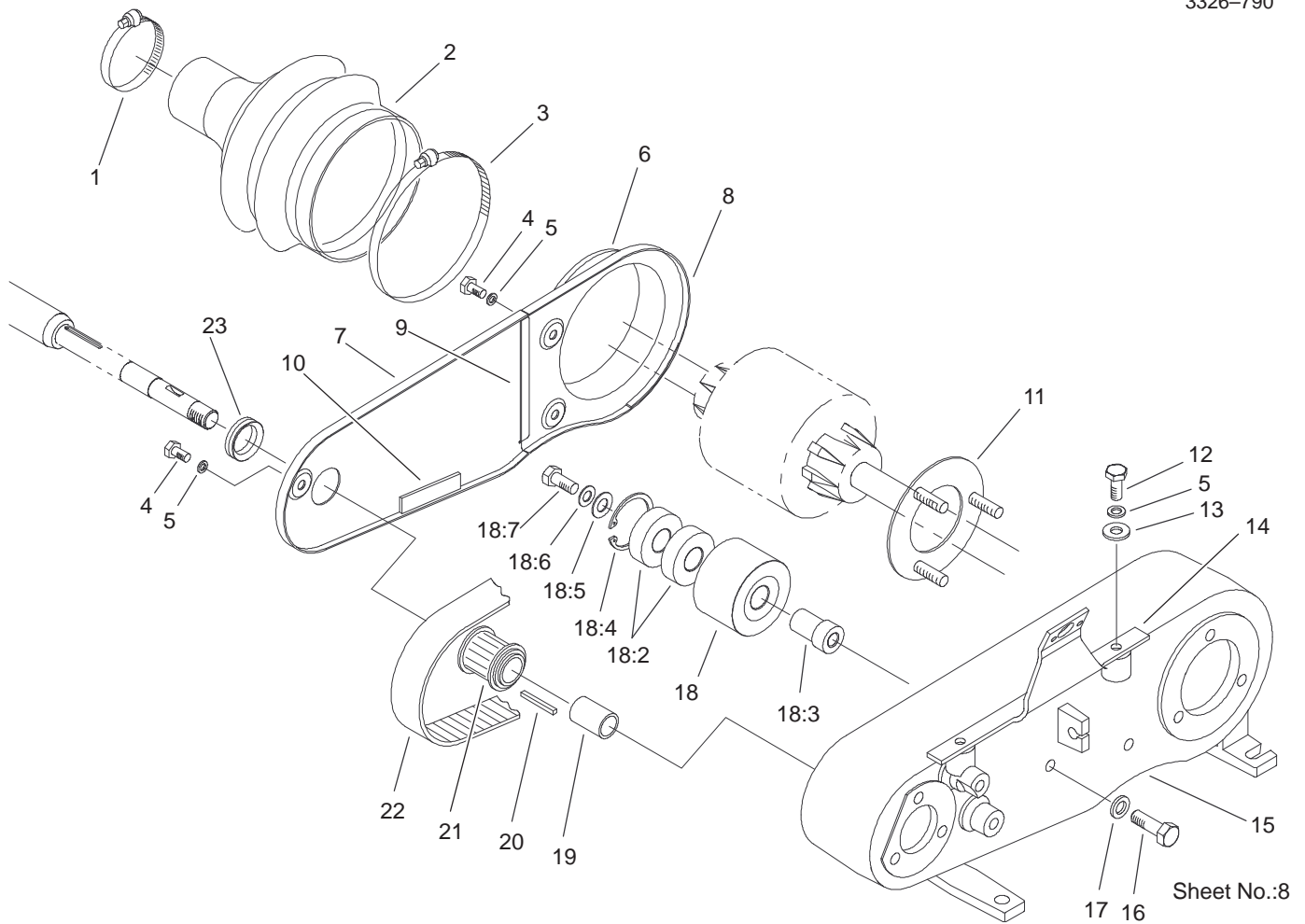


Sheet No.:6

Drum Drive Assembly

| Ref. No. | Part No. | Qty. | Description |
|----------|------------|------|---------------------|
| 1 | 88-7530 | 2 | Spacer |
| 2 | 88-7540 | 2 | Washer-Backup |
| 3 | 105-5365 | 1 | Pulley-Drum, LH |
| 4 | 88-7470 | 1 | Housing-LH |
| 5 | 322-5 | 4 | Screw-HH |
| 6 | 3296-29 | 4 | Nut-Lock, NI |
| 7 | 253-160 | 4 | Seal-Grease |
| 8 | 251-338 | 2 | Bearing |
| 9 | 86-7130 | 2 | Spacer-Pulley |
| 10 | 302-5 | 3 | Fitting-Grease |
| 11 | 65-6210 | 2 | Belt |
| 12 | 65-6660 | 2 | Pulley |
| 13 | 3296-57 | 2 | Nut-Lock, NI |
| 14 | 94-9018 | 2 | Washer-Plastic |
| 15 | 253-161 | 2 | Seal-V-Ring |
| 16 | 65-6220-01 | 1 | Cover-End, Reel |
| 17 | 322-3 | 10 | Screw-HH |
| 18 | 3253-4 | 10 | Washer-Lock |
| 19 | 65-6590 | 2 | Flangette |
| 20 | 88-7880 | 2 | Bearing |
| 21 | 95-0923 | 2 | Flangette |
| 22 | 92-7302 | 1 | Nut - Bearing, Lock |
| 23 | 253-163 | 1 | Seal |
| 24 | 251-342 | 1 | Bearing-Ball |
| 25 | 65-8640 | 1 | Housing-Bearing |
| 26 | 65-8720 | 2 | Closure-Plate, Side |

| Ref. No. | Part No. | Qty. | Description |
|----------|------------|------|---------------------------|
| 27 | 65-8730 | 4 | Clamp-Bearing |
| 28 | 253-96 | 1 | Seal-Oil |
| 29 | 3296-39 | 2 | Nut-Lock, NI |
| 30 | 323-7 | 2 | Screw-HH |
| 31 | 88-7680-01 | 1 | Cover-Belt Drum, LH |
| 32 | 88-7810 | 2 | Seal-Strip, Drum Cover |
| 33 | 321-11 | 8 | Screw-HH |
| 34 | 3254-8 | 8 | Washer-Lock |
| 35 | 88-7850 | 2 | Idler Pulley ASM |
| 35:2 | 38-7820 | 1 | Bearing-Ball |
| 35:3 | 88-7190 | 1 | Spacer |
| 35:4 | 32120-42 | 1 | Ring-Retaining |
| 35:5 | 88-7200 | 1 | Washer-Flat |
| 35:6 | 3253-4 | 1 | Washer-Lock |
| 35:7 | 322-3 | 1 | Screw-HH |
| 36 | 105-5364 | 1 | Pulley-Drum, RH |
| 37 | 88-7490 | 1 | Housing-RH, |
| 38 | 88-7690-01 | 1 | Cover-Drum Belt, RH |
| 39 | 302-40 | 2 | Fitting-Grease |
| 40 | 88-7580 | 1 | Shaft-Wheel, Transport LH |
| 41 | 88-7590 | 1 | Shaft-Wheel, Transport RH |

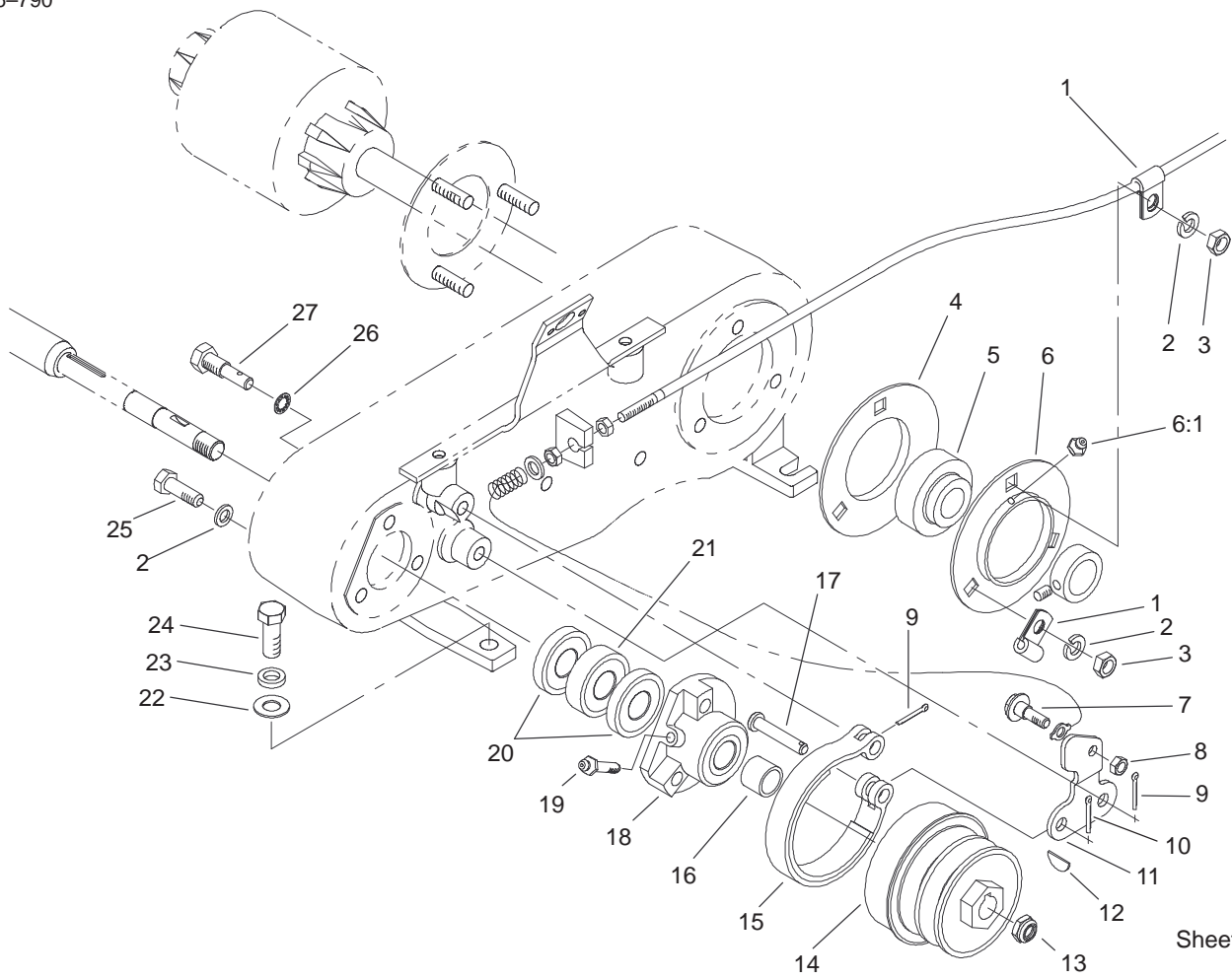


Sheet No.:8

Inner Crankshaft Assembly

| Ref. No. | Part No. | Qty. | Description |
|----------|------------|------|---------------------------|
| 1 | 2412-139 | 1 | Clamp-Hose |
| 2 | 94-5866 | 1 | Boot-Differential |
| 3 | 2412-140 | 1 | Clamp-Hose |
| 4 | 321-2 | 3 | Screw-HH |
| 5 | 3253-3 | 5 | Washer-Lock |
| 6 | 88-7250-03 | 1 | Cover-Box, Rear |
| 7 | 88-7240-03 | 1 | Cover-Box, Front |
| 8 | 65-6902 | 1 | Strip-Seal, Cover |
| 9 | 65-6903 | 1 | Strip-Seal, Cover |
| 10 | 65-6901 | 1 | Strip-Seal, Cover |
| 11 | 65-6720 | 1 | Plate-Screw |
| 12 | 321-3 | 2 | Screw-HH |
| 13 | 3256-22 | 2 | Washer-Flat |
| 14 | 93-1448 | 1 | Bracket Cover ASM |
| 15 | 88-7230 | 1 | Housing-Shaft, Counter |
| 16 | 322-5 | 1 | Screw-HH |
| 17 | 3253-4 | 1 | Washer-Lock |
| 18 | 88-7870 | 1 | Idler Pulley ASM |
| 18:2 | 38-7820 | 2 | Bearing-Ball |
| 18:3 | 88-7380 | 1 | Spacer-Pulley |
| 18:4 | 32120-42 | 1 | Ring-Retaining |
| 18:5 | 88-7200 | 1 | Washer-Flat |
| 18:6 | 3253-4 | 1 | Washer-Lock |
| 18:7 | 322-3 | 1 | Screw-HH |
| 19 | 86-7140 | 1 | Spacer |

| Ref. No. | Part No. | Qty. | Description |
|----------|----------|------|---------------------|
| 20 | 65-6850 | 1 | Key-Square |
| 21 | 65-8910 | 1 | Pulley-Countershaft |
| 22 | 65-9080 | 1 | Belt |
| 23 | 88-7710 | 1 | Seal-V-Ring |

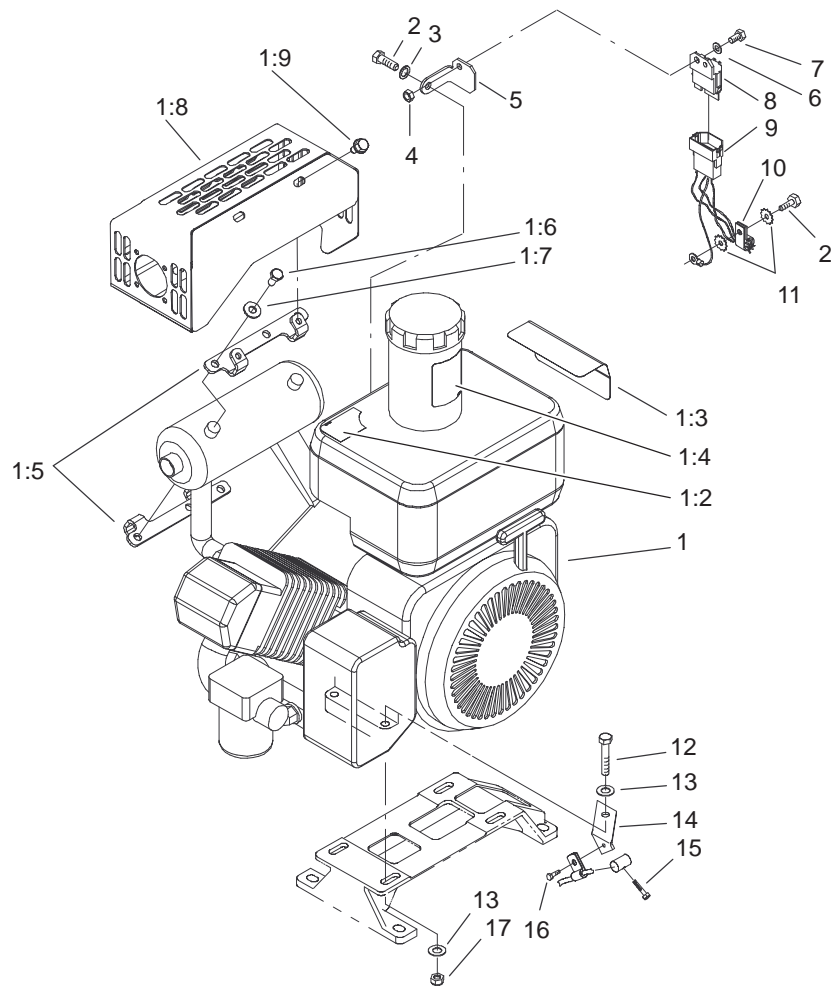


Sheet No.:9

Outer Crankshaft Assembly

| Ref. No. | Part No. | Qty. | Description |
|----------|----------|------|---------------------|
| 1 | 88-7970 | 1 | Clip |
| 2 | 3253-4 | 6 | Washer-Lock |
| 3 | 3218-2 | 3 | Nut-Jam |
| 4 | 65-6710 | 1 | Flangette |
| 5 | 251-343 | 1 | Bearing-Ball |
| 6 | 65-6700 | 1 | Flangette-Lube |
| 6:1 | 302-65 | 1 | Zerk |
| 7 | 11-9030 | 1 | Screw-Shoulder |
| 8 | 3296-42 | 1 | Nut-Lock, NI |
| 9 | 3272-6 | 2 | Pin-Cotter |
| 10 | 3272-8 | 1 | Pin-Cotter |
| 11 | 65-8610 | 1 | Lever-Brake |
| 12 | 3257-30 | 1 | Key-Woodruff |
| 13 | 3296-57 | 1 | Nut-Lock, NI |
| 14 | 92-9212 | 1 | Pulley-Shaft, Input |
| 15 | 65-8700 | 1 | Band-Brake |
| 16 | 86-7130 | 1 | Spacer-Pulley |
| 17 | 283-75 | 1 | Pin-Clevis |
| 18 | 65-6760 | 1 | Housing-Bearing |
| 19 | 302-64 | 1 | Fitting-Grease |
| 20 | 253-160 | 2 | Seal-Grease |
| 21 | 251-338 | 1 | Bearing |
| 22 | 3256-24 | 4 | Washer-Flat |
| 23 | 3253-21 | 4 | Washer-Lock |
| 24 | 323-5 | 4 | Screw-HH |
| 25 | 322-5 | 3 | Screw-HH |

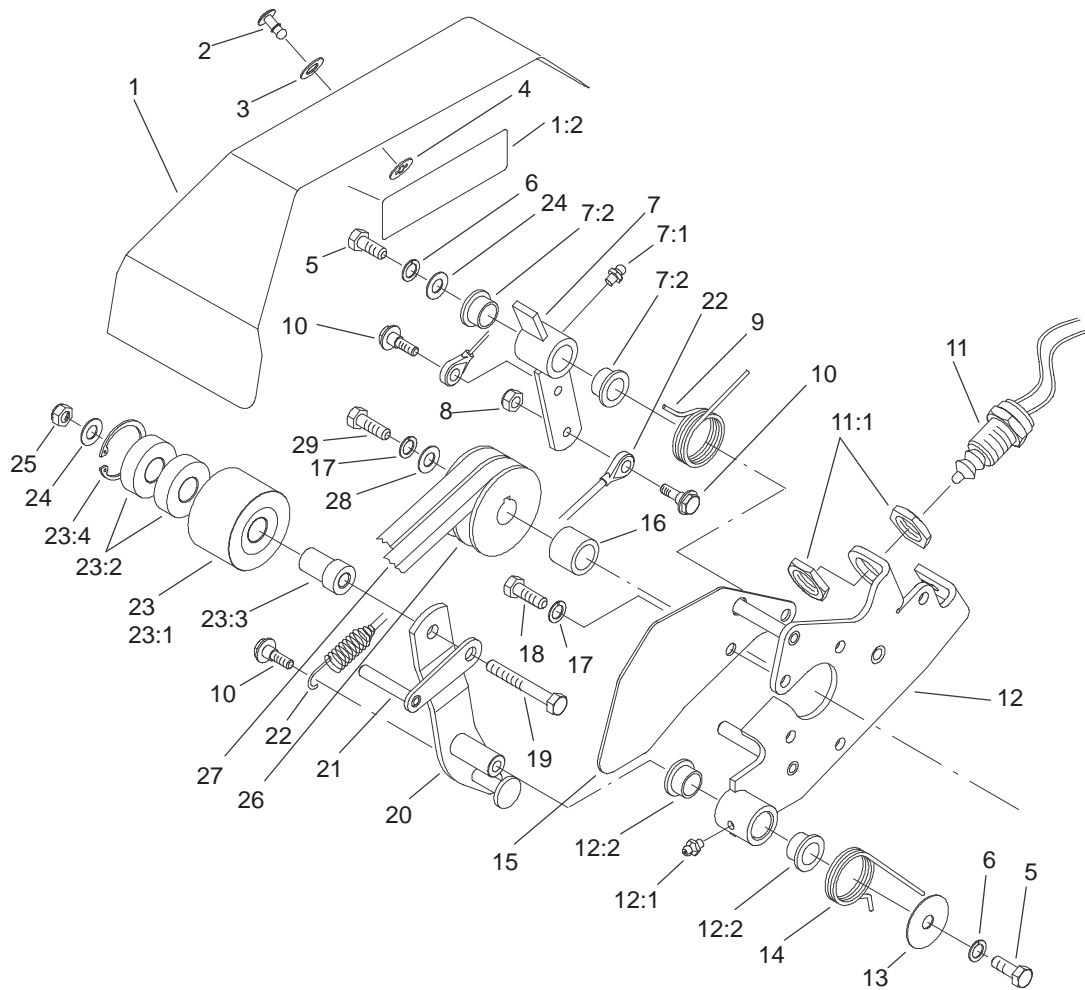
| Ref. No. | Part No. | Qty. | Description |
|----------|----------|------|-----------------------|
| 26 | 3254-6 | 2 | Washer-Lock, Internal |
| 27 | 65-6810 | 2 | Support-Brake |



Sheet No.:10

Engine Assembly

| Ref. No. | Part No. | Qty. | Description | Ref. No. | Part No. | Qty. | Description |
|----------|-------------|------|----------------------------|----------|----------|------|-------------------------|
| 1 | 105-5355 | 1 | Engine ASM | 14 | 88-7960 | 1 | Bracket-Cable, Throttle |
| 1:2 | 105-5309 | 1 | Decal-Hot Surface | 15 | 94-9015 | 1 | Screw-HH |
| 1:2 | 83-2560 | 1 | Decal-Surface, Hot (Japan) | 16 | 104-2065 | 1 | Screw-HWH |
| 1:3 | 92-4813 | 1 | Decal-Danger (Japan) | 17 | 3296-29 | 4 | Nut-Lock, NI |
| 1:3 | 93-7348 | 1 | Decal-Danger | | | | |
| 1:4 | 93-9886 | 1 | Decal-Fuel | | | | |
| 1:5 | 104-9771-03 | 2 | Bracket-Guard, Muffler | | | | |
| 1:6 | 33113-012 | 4 | Screw-HH | | | | |
| 1:7 | 3256-22 | 4 | Washer-Flat | | | | |
| 1:8 | 104-9784-03 | 1 | Guard-Muffler | | | | |
| 1:9 | 104-2628 | 4 | Screw-HWH | | | | |
| 2 | 33114-016 | 2 | Screw-HH | | | | |
| 3 | 3253-4 | 1 | Washer-Lock | | | | |
| 4 | 3296-42 | 1 | Nut-Lock, NI | | | | |
| 5 | 94-5861 | 1 | Bracket-Module | | | | |
| 6 | 3256-22 | 1 | Washer-Flat | | | | |
| 7 | 321-3 | 1 | Screw-HH | | | | |
| 8 | 94-3431 | 1 | Module-Interlock | | | | |
| 9 | 105-5351 | 1 | Harness-Wire, Module | | | | |
| 10 | 2412-134 | 1 | R-Clamp | | | | |
| 11 | 3255-9 | 2 | Washer-Lock/Ext | | | | |
| 12 | 322-9 | 4 | Screw-HH | | | | |
| 13 | 3256-56 | 5 | Washer-Flat | | | | |

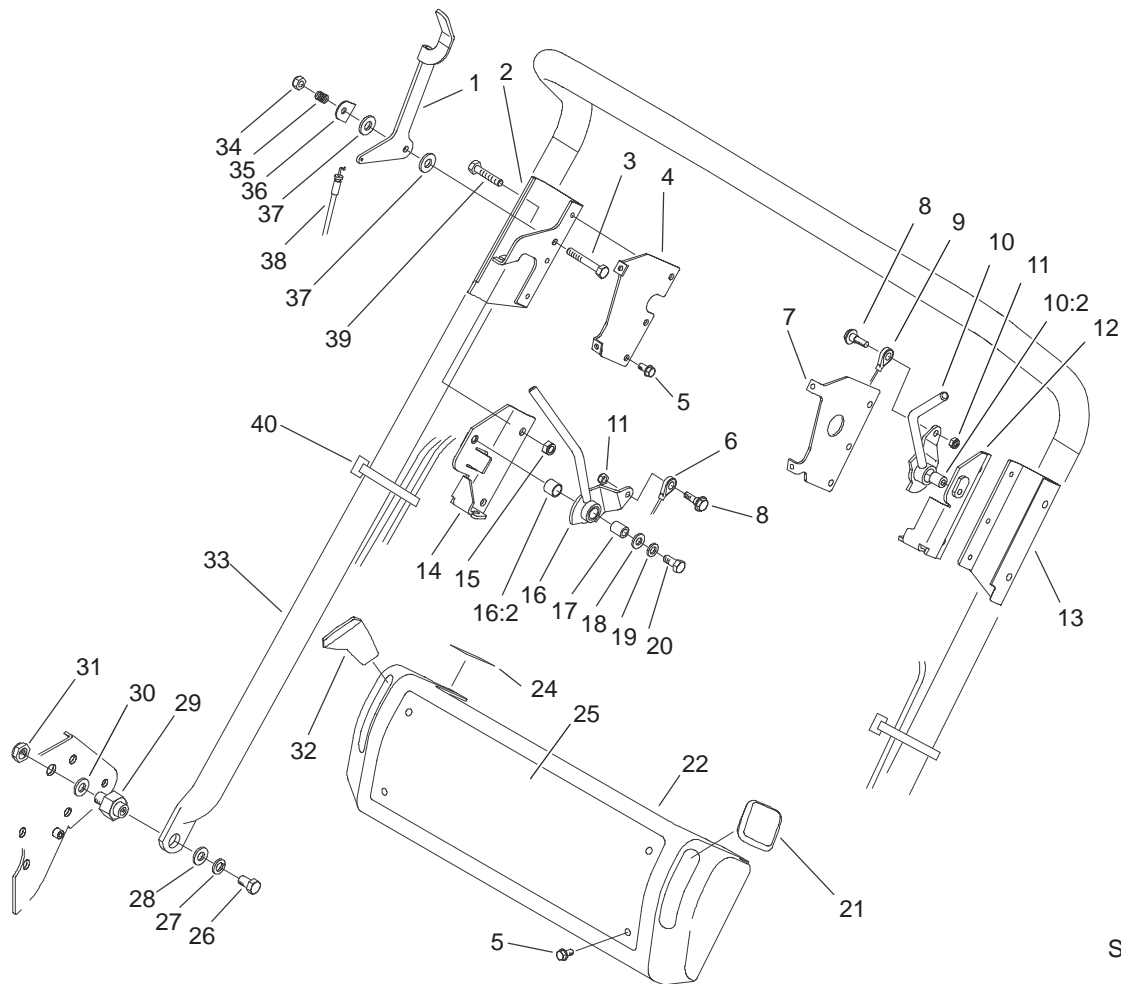


Sheet No.:11

Bellcrank Assembly

| Ref. No. | Part No. | Qty. | Description |
|----------|------------|------|-----------------------------|
| 1 | 94-9007 | 1 | Bellcrank Cover ASM |
| 1:2 | 84-7280 | 1 | Decal-Danger, Japan |
| 1:2 | 93-7273 | 1 | Decal-Danger |
| 2 | 93-6074 | 1 | Stud |
| 3 | 3256-2 | 1 | Washer-Flat |
| 4 | 93-6073 | 1 | Retainer |
| 5 | 323-4 | 2 | Screw-HH |
| 6 | 3253-21 | 2 | Washer-Lock |
| 7 | 93-6014 | 1 | Lever ASM |
| 7:1 | 302-5 | 1 | Fitting-Grease |
| 7:2 | 65-8770 | 2 | Bushing-Bellcrank |
| 8 | 3296-42 | 3 | Nut-Lock, NI |
| 9 | 93-6011 | 1 | Spring-Torsion |
| 10 | 11-9030 | 3 | Screw-Shoulder |
| 11 | 87-5490 | 1 | Switch-Clutch |
| 11:1 | 3218-20 | 2 | Nut-Jam |
| 12 | 93-6015 | 1 | Clutch Bracket ASM |
| 12:1 | 302-5 | 1 | Fitting-Grease |
| 12:2 | 65-8770 | 2 | Bushing-Bellcrank |
| 13 | 93-6099 | 1 | Washer |
| 14 | 93-6012 | 1 | Spring-Torque, Clutch Lever |
| 15 | 93-6013-03 | 1 | Shield-Belt |
| 16 | 65-8260 | 1 | Spacer-Shaft, Engine |
| 17 | 3253-4 | 6 | Washer-Lock |
| 18 | 33114-016 | 5 | Screw-HH |

| Ref. No. | Part No. | Qty. | Description |
|----------|------------|------|----------------------|
| 19 | 323-11 | 1 | Screw-HH |
| 20 | 93-6003-03 | 1 | Lever-Clutch |
| 21 | 95-0922 | 1 | Guide-Belt |
| 22 | 93-9024 | 1 | Cable Link ASM |
| 23 | 98-7296 | 1 | Idler Pulley ASM |
| 23:1 | 98-7297 | 1 | Pulley-Idler |
| 23:2 | 38-7820 | 2 | Bearing-Ball |
| 23:3 | 88-7350 | 1 | Bushing-Pulley |
| 23:4 | 32120-42 | 1 | Ring-Retaining |
| 24 | 3256-56 | 5 | Washer-Flat |
| 25 | 3296-39 | 1 | Nut-Lock, NI |
| 26 | 92-9216 | 1 | Pulley-Drive, Input |
| 27 | 92-9218 | 1 | V-Belt (Matched Set) |
| 28 | 65-8270 | 1 | Washer |
| 29 | 33114-025 | 1 | Screw-HH |

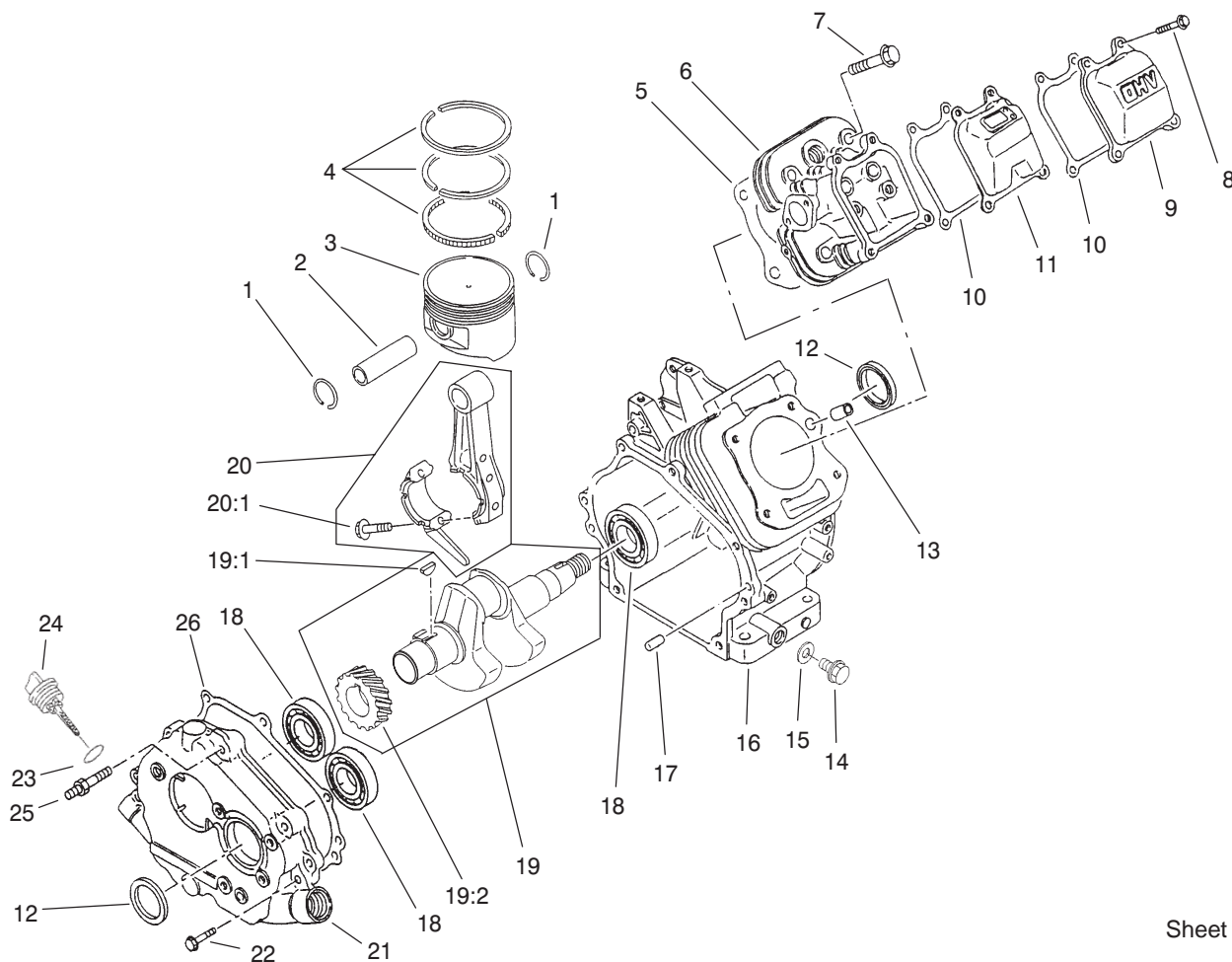


Sheet No.:12

Handle and Controls Assembly

| Ref. No. | Part No. | Qty. | Description |
|----------|------------|------|-----------------------|
| 1 | 93-6017 | 1 | Lever-Throttle |
| 2 | 95-0908-03 | 1 | Bracket-Clutch, Skid |
| 3 | 321-8 | 1 | Screw-HH |
| 4 | 93-6046-03 | 1 | Bracket-Console, RH |
| 5 | 93-6083 | 10 | Screw-HWH |
| 6 | 94-5870 | 1 | Cable Clutch ASM |
| 7 | 93-6047-03 | 1 | Bracket-Console, LH |
| 8 | 11-9030 | 2 | Screw-Shoulder |
| 9 | 94-5871 | 1 | Cable Brake ASM |
| 10 | 93-6058 | 1 | Brake Lever ASM |
| 10:2 | 256-206 | 1 | Bushing |
| 11 | 3296-42 | 2 | Nut-Lock, NI |
| 12 | 93-6022 | 1 | Bracket-Brake |
| 13 | 95-0907-03 | 1 | Bracket-Brake, Skid |
| 14 | 93-6019 | 1 | Bracket |
| 15 | 3296-29 | 4 | Nut-Lock, NI |
| 16 | 95-5715 | 1 | Clutch Lever ASM |
| 16:2 | 256-206 | 1 | Bushing |
| 17 | 88-7450 | 2 | Spacer-Lever, Control |
| 18 | 3256-23 | 2 | Washer-Flat |
| 19 | 3253-4 | 2 | Washer-Lock |
| 20 | 3210-7 | 2 | Screw-HH |
| 21 | 65-8971 | 1 | Knob-Shift |
| 22 | 93-6036 | 1 | Cover-Console |
| 24 | 93-6085 | 1 | Decal-Throttle |
| 25 | 105-5361 | 1 | Decal-Console |

| Ref. No. | Part No. | Qty. | Description |
|----------|----------|------|--------------------|
| 26 | 323-34 | 2 | Screw-HH |
| 27 | 3253-21 | 2 | Washer-Lock |
| 28 | 3256-24 | 2 | Washer-Flat |
| 29 | 93-6000 | 2 | Pin-Pivot, Handle |
| 30 | 94-5868 | 2 | Washer |
| 31 | 3296-28 | 2 | Nut-Lock, NI |
| 32 | 65-8970 | 1 | Knob-Shift |
| 33 | 93-9044 | 1 | Handle |
| 34 | 3296-56 | 1 | Nut-Lock, NI |
| 35 | 3-5787 | 1 | Spring-Compression |
| 36 | 93-6016 | 1 | Washer-Retaining |
| 37 | 66-2921 | 2 | Washer-Friction |
| 38 | 94-5869 | 1 | Throttle Cable ASM |
| 39 | 322-9 | 4 | Screw-HH |
| 40 | 3290-378 | 2 | Tie-Cable |



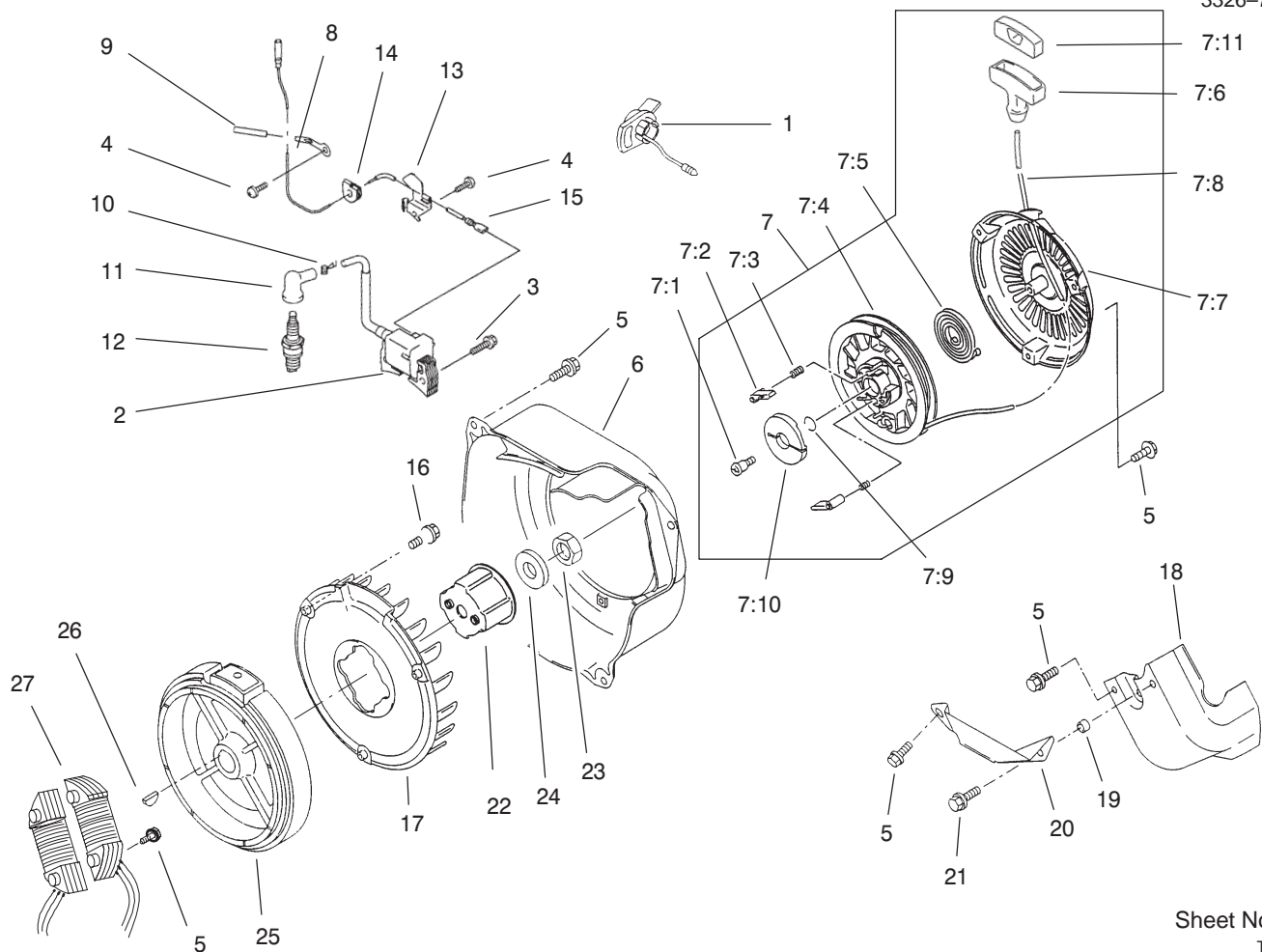
Sheet No.:50

T-3472

Crankcase Assembly

| Ref. No. | Part No. | Qty. | Description |
|----------|----------|------|--------------------------|
| 1 | 93-8500 | 2 | Ring-Retaining |
| 2 | 93-8501 | 1 | Pin-Piston |
| 3 | 93-8502 | 1 | Piston |
| 3 | 94-6836 | 1 | Piston-0.5 O/S |
| 4 | 93-8503 | 1 | Set-Ring, Piston |
| 4 | 94-6837 | 1 | Set-Ring, Piston (.05mm) |
| 5 | 93-8504 | 1 | Gasket-Head |
| 6 | 93-8505 | 1 | Head-Cylinder |
| 7 | 93-8506 | 4 | Bolt-Flanged |
| 8 | 94-6838 | 4 | Bolt-Flanged |
| 9 | 93-8508 | 1 | Case-Rocker |
| 10 | 93-8509 | 2 | Gasket-Rocker |
| 11 | 93-8510 | 1 | Breather |
| 12 | 93-8511 | 2 | Seal-Oil |
| 13 | 93-8512 | 2 | Pin |
| 14 | 93-8513 | 2 | Plug-Drain |
| 15 | 93-8514 | 2 | Gasket-Plug, Drain |
| 16 | 93-8515 | 1 | Crankcase |
| 17 | 93-8516 | 2 | Pin |
| 18 | 93-8517 | 2 | Bearing-Ball |
| 19 | 93-8518 | 1 | Crankshaft ASM |
| 19:1 | 93-8526 | 1 | Key |
| 19:2 | 94-9043 | 1 | Gear-Helical |
| 20 | 93-8528 | 1 | Connecting Rod ASM |
| 20:1 | 93-8527 | 2 | Bolt-Rod |

| Ref. No. | Part No. | Qty. | Description |
|----------|----------|------|------------------|
| 21 | 93-8520 | 1 | Cover-Crankcase |
| 22 | 93-8521 | 7 | Bolt-Flanged |
| 23 | 94-9041 | 2 | O-Ring |
| 24 | 93-8523 | 2 | Cap-Filter, Oil |
| 25 | 93-8524 | 1 | Stud |
| 26 | 93-8525 | 1 | Gasket-Crankcase |



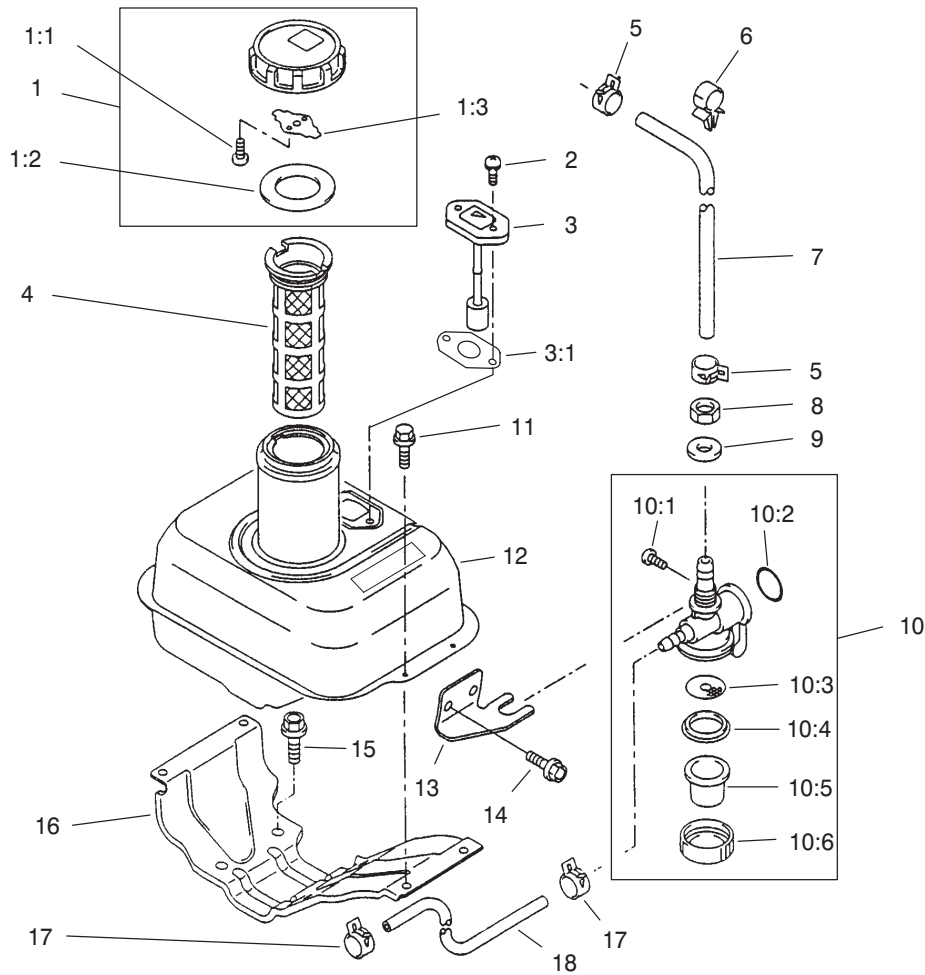
Sheet No.:52

T-3465

Ignition Assembly

| Ref. No. | Part No. | Qty. | Description |
|----------|----------|------|----------------------|
| 1 | 93-8546 | 1 | Switch |
| 2 | 94-9031 | 1 | Ignition Coil ASM |
| 3 | 93-8548 | 6 | Bolt-Flanged |
| 4 | 93-8549 | 2 | Screw |
| 5 | 93-8550 | 10 | Bolt-Flanged |
| 6 | 94-9047 | 1 | Housing-Fan |
| 7 | 93-8552 | 1 | Recoil Starter ASM |
| 7:1 | 93-8553 | 1 | Screw |
| 7:2 | 93-8554 | 2 | Pawl-Recoil |
| 7:3 | 93-8555 | 2 | Spring-Return |
| 7:4 | 93-8556 | 1 | Reel-Recoil |
| 7:5 | 93-8557 | 1 | Spring |
| 7:6 | 94-9045 | 1 | Grip-Starter, Recoil |
| 7:7 | 94-9046 | 1 | Case-Recoil |
| 7:8 | 93-8560 | 1 | Rope |
| 7:9 | 93-8561 | 1 | Ring-Retaining |
| 7:10 | 93-8562 | 1 | Guide-Pawl |
| 7:11 | 94-9044 | 1 | Cap-Grip |
| 8 | 94-9039 | 1 | Clamp |
| 9 | 94-9040 | 1 | Tube |
| 10 | 94-9049 | 1 | Spring-Terminal |
| 11 | 93-8585 | 1 | Cap-Plug, Spark |
| 12 | 93-8584 | 1 | Spark Plug |
| 13 | 93-8583 | 1 | Clamp |
| 14 | 93-8582 | 1 | Grommet |
| 15 | 94-9038 | 1 | Wire-Lead |

| Ref. No. | Part No. | Qty. | Description |
|----------|----------|------|---------------|
| 16 | 94-6840 | 3 | Bolt-Flanged |
| 17 | 93-8572 | 1 | Fan |
| 18 | 93-8563 | 1 | Shroud-Engine |
| 19 | 93-8564 | 1 | Collar |
| 20 | 93-8565 | 1 | Shroud-Engine |
| 21 | 93-8566 | 1 | Bolt-Flanged |
| 22 | 93-8567 | 1 | Pulley-Recoil |
| 23 | 93-8568 | 1 | Nut |
| 24 | 93-8569 | 1 | Washer |
| 25 | 99-6237 | 1 | Flywheel ASM |
| 26 | 93-8571 | 1 | Key |
| 27 | 99-4267 | 1 | Coil-Lighting |



Sheet No.:56
T-3477

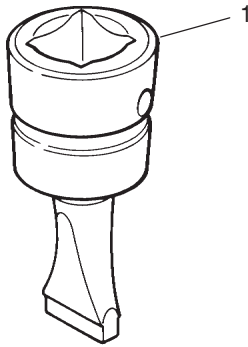
Fuel Tank Assembly

| Ref. No. | Part No. | Qty. | Description |
|----------|----------|------|--------------------|
| 1 | 93-8660 | 1 | Fuel Cap ASM |
| 1:1 | 93-8661 | 2 | Screw |
| 1:2 | 93-8662 | 1 | Gasket |
| 1:3 | 93-8663 | 1 | Spring |
| 2 | 93-8686 | 2 | Screw |
| 3 | 93-8685 | 1 | Gauge-Fuel |
| 3:1 | 104-2384 | 1 | Gasket-Gauge, Fuel |
| 4 | 94-6826 | 1 | Filter-Fuel |
| 5 | 93-8664 | 2 | Clamp |
| 6 | 93-8665 | 1 | Clamp |
| 7 | 93-8666 | 1 | Tube |
| 8 | 94-9042 | 1 | Nut |
| 9 | 93-8668 | 1 | Washer |
| 10 | 93-8669 | 1 | TAP ASM |
| 10:1 | 93-8670 | 1 | Screw |
| 10:2 | 93-8671 | 1 | O-Ring |
| 10:3 | 94-6849 | 1 | Filter-TAP |
| 10:4 | 93-8673 | 1 | Gasket |
| 10:5 | 93-8674 | 1 | Cup-TAP |
| 10:6 | 93-8675 | 1 | Nut |
| 11 | 93-8683 | 4 | Bolt |
| 12 | 104-2382 | 1 | Tank-Fuel |
| 13 | 93-8681 | 1 | Bracket |
| 14 | 93-8680 | 2 | Bolt-Flanged |
| 15 | 94-6825 | 4 | Bolt-Flanged |
| 16 | 104-2383 | 1 | Bracket-Tank |

| Ref. No. | Part No. | Qty. | Description |
|----------|----------|------|-------------|
| 17 | 93-8676 | 2 | Clamp |
| 18 | 93-8677 | 1 | Tube |

Special Tools

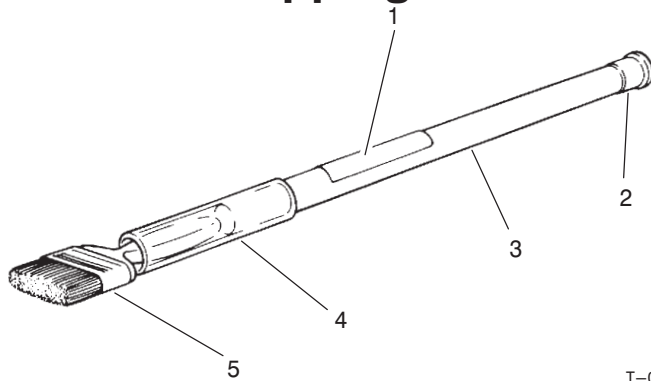
Bedknife Screw Tool No. *TOR510880



T-0729

| Ref. No. | Part No. | Description | No. Used |
|----------|----------|----------------------|----------|
| 1 | | Tool-Bedknife, Screw | 1 |

Backlapping Brush Assembly No. *TOR299100



T-0731

| Ref. No. | Part No. | Description | No. Used |
|----------|----------|-------------|----------|
| 1 | 12-9140 | Decal | 1 |
| 2 | 2410-18 | Plug | 1 |
| 3 | 29-9080 | Handle | 1 |
| 4 | 29-9090 | Hose-Handle | 1 |
| 5 | 36-4310 | Brush | 1 |

*Obtain these items directly from OTC 2013 4th St. Owatonna, MN. 55060 1-800-533-0492
(in Minnesota and Canada 1-507-455-7050) Fax. 507-455-7011.

