



Count on it.

Parts Catalog

**Flex-Force Power System™ 60V
MAX**

Snowthrower

Model No. 39902—Serial No. 400000000 and Up



Ordering Replacement Parts

To order replacement parts, please supply the part number, the quantity, and the description of each part desired.

Understanding Reference Numbers

Each identified part in an illustration has a reference number. The reference number for a part also appears in the parts list, along with other information about the part.

This catalog uses two special reference number formats, one to indicate parts in a service assembly and another to indicate the quantity of a given part in an illustration.

Service Assembly Reference Numbers

Parts in service assemblies have reference numbers in the form a:b. The a represents the reference number of the entire service assembly and the b represents a sequential number unique to each part within the service assembly.

For example, a wheel assembly might be identified by reference number 6, the tire by 6:1, the valve by 6:2, and the wheel by 6:3. When you order the assembly identified by reference number 6, you receive all parts identified by reference numbers 6:1, 6:2, and 6:3. However, you may also order any part individually. Reference numbers of this type appear in illustration and in parts lists.

Reference Numbers Indicating Quantity

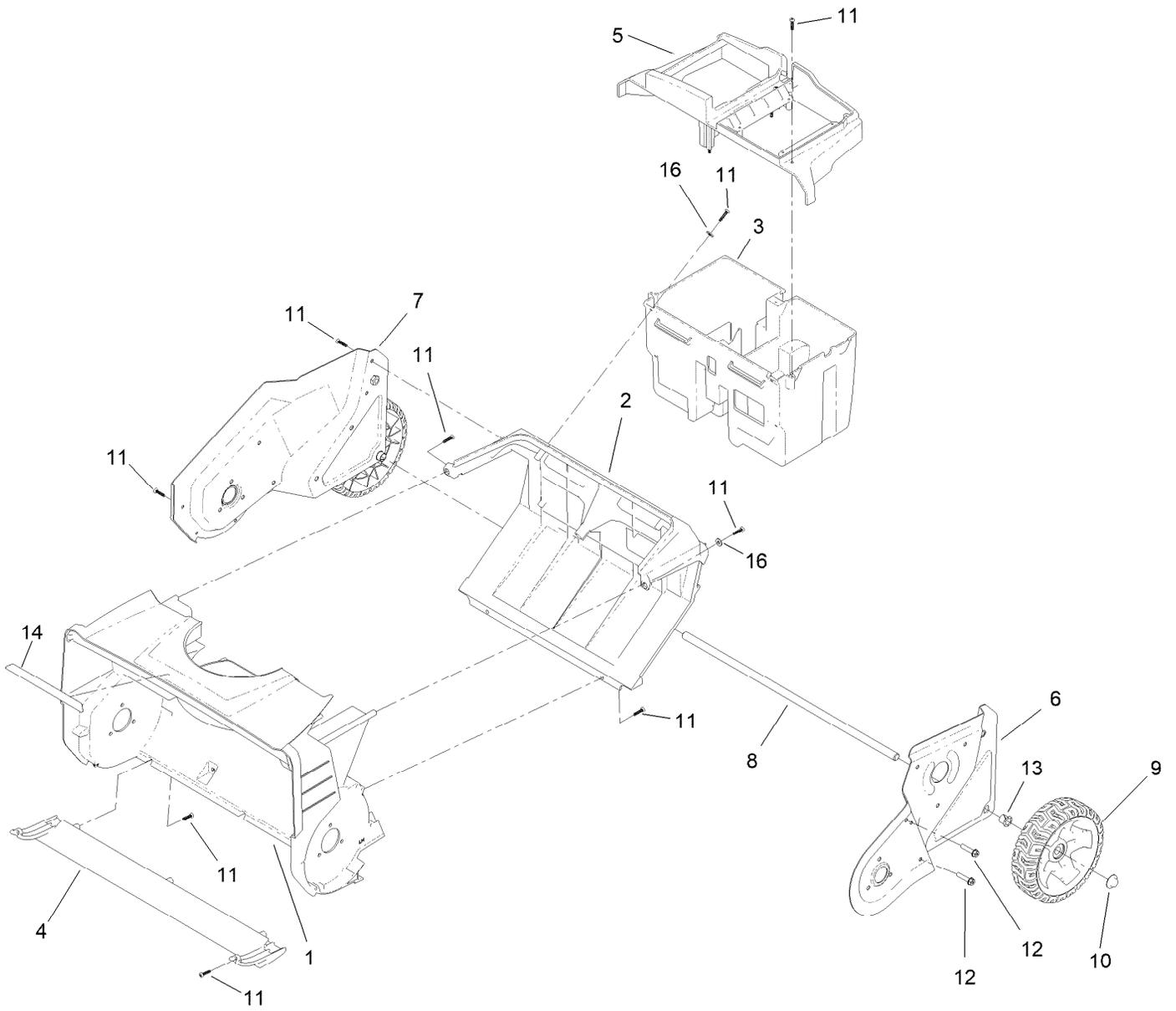
In an illustration, if a reference number indicates more than one part, the reference number has the form nX y. The n represents the quantity of the part, the X is the multiplication symbol, and the y represents the reference number.

For example, in an illustration, the reference number 2X 37 means that two of the parts identified by reference number 37 are indicated.

Contents

- Frame Assembly 4
- Drive Belt Assembly 6
- Chute Assembly 8
- Handle Assembly 10
- Electrical Assembly 12
- Attachments and Accessories 14

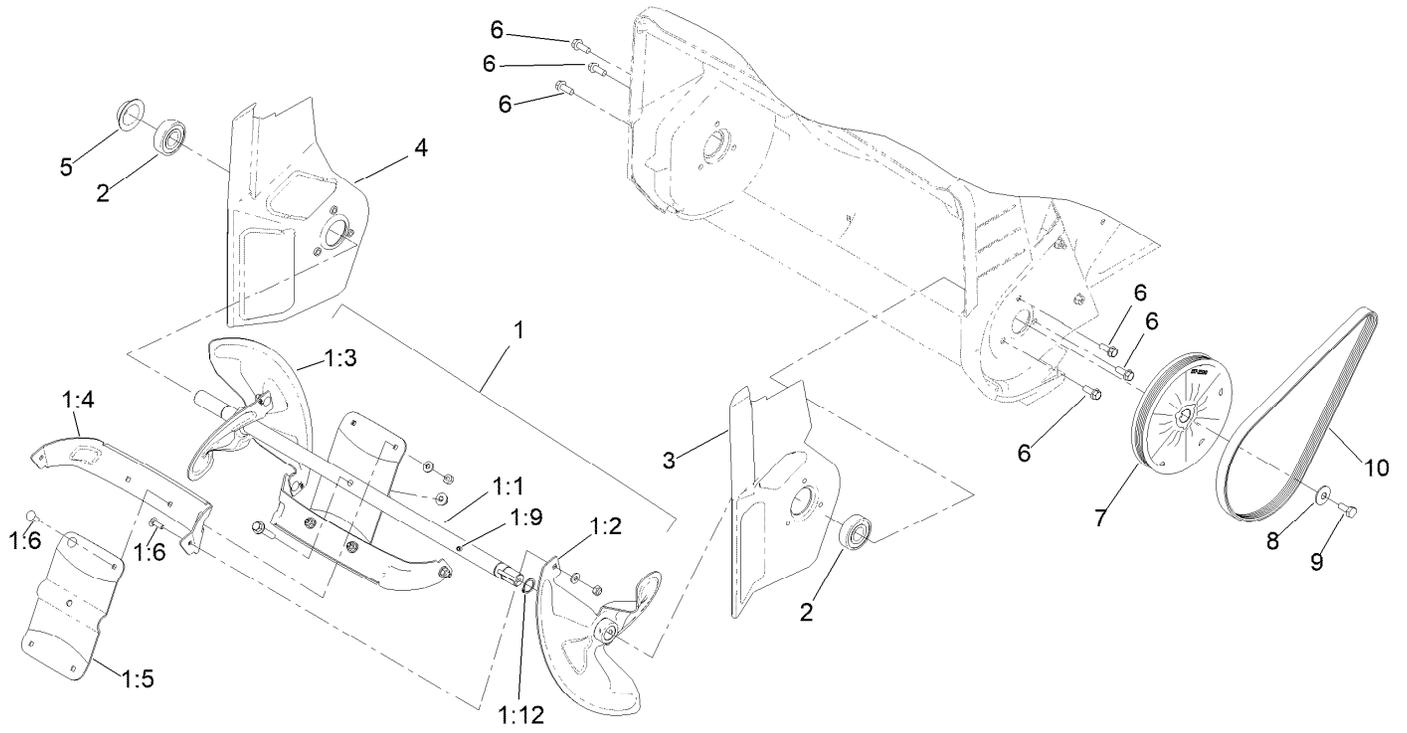
Frame Assembly



Frame Assembly (continued)

<i>Ref.</i>	<i>Part Number</i>	<i>Qty.</i>	<i>Description</i>	<i>Ref.</i>	<i>Part Number</i>	<i>Qty.</i>	<i>Description</i>
1	137-2276	1	Housing	9	137-9428	2	Wheel ASM
2	137-2280	1	Bulkhead	10	32112-14	2	Nut-Push
3	137-9425	1	Container-Battery	11	94-4496	25	Screw-PPH
4	137-2277	1	Scraper	12	137-3101	4	Screw-Plastic, HWH
5	137-9426	1	Skirt-Container, Battery	13	256-257	2	Bushing-Nyliner
6	137-9391	1	Plate-Frame Assembly, LH	14	137-2333	1	Decal-Power Edge
7	137-9393	1	Plate-Frame Assembly, RH	16	3256-77	6	Washer-Flat
8	137-2256-03	1	Axle				

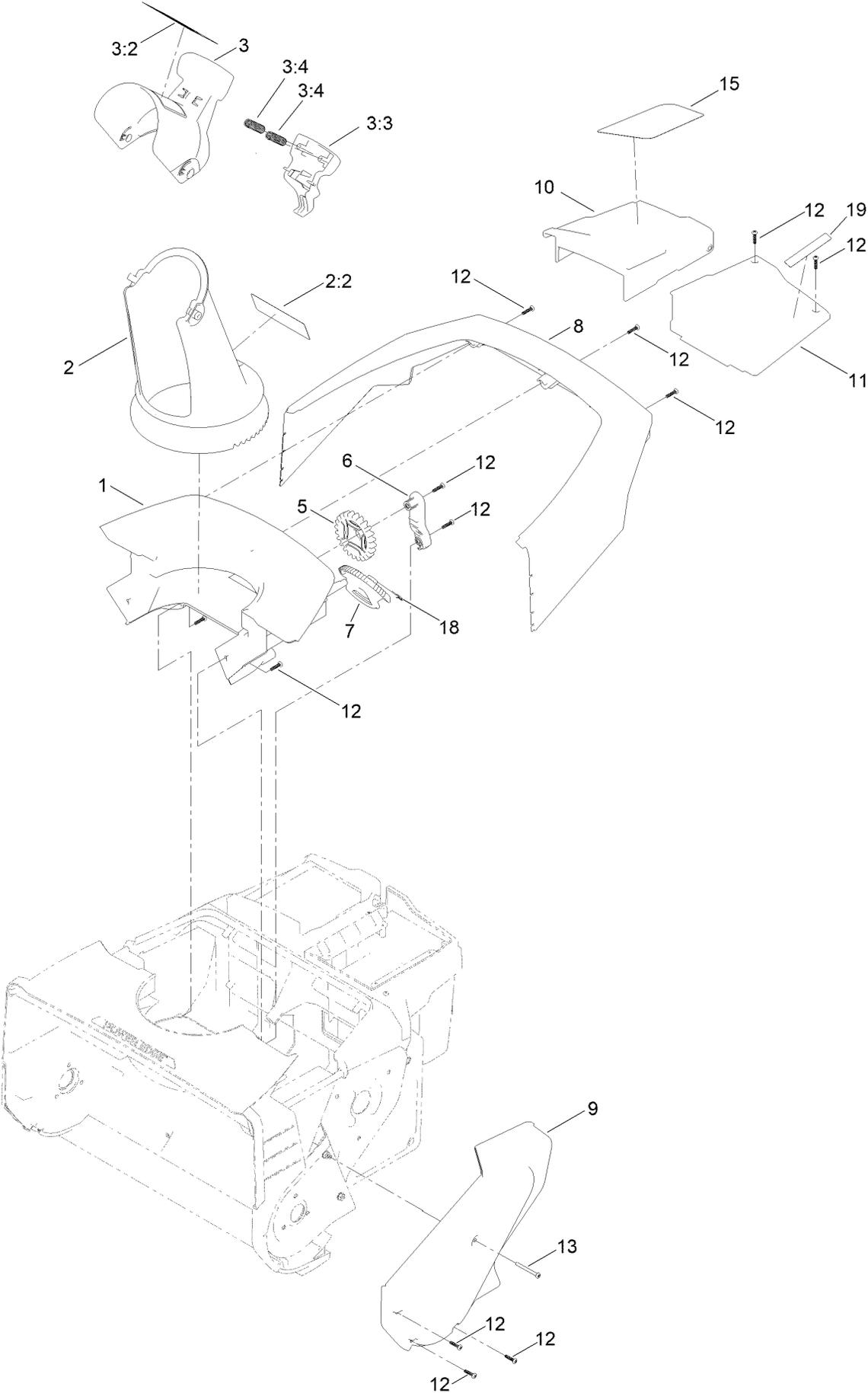
Drive Belt Assembly



Drive Belt Assembly (continued)

<i>Ref.</i>	<i>Part Number</i>	<i>Qty.</i>	<i>Description</i>	<i>Ref.</i>	<i>Part Number</i>	<i>Qty.</i>	<i>Description</i>
1	137-9385	1	Rotor ASM	3	137-9389	1	Extension-LH
1:1	132-9198	1	Shaft-Rotor	4	137-9388	1	Extension-RH
1:2	132-9161	1	LH Rotor Blade ASM	5	117-7720	1	Cap-Sideplate, RH
1:3	132-9162	1	RH Rotor Blade ASM	6	32144-85	6	Screw-HWH
1:4	137-9386	2	Rotor-Center	7	137-2320	1	Rotor Pulley ASM (6 Groove)
1:5	137-9387	2	Paddle-Center	8	3290-456	1	Washer-Belleville
1:6	137-9471	8	Screw-CARR	9	110-9381	1	Screw-HH
1:9	132-9169	2	Pin-Spiral	10	137-9427	1	Belt-V, Ribbed
1:12	137-9468	1	Ring-Snap, External				
2	38-7820	2	Bearing-Ball				

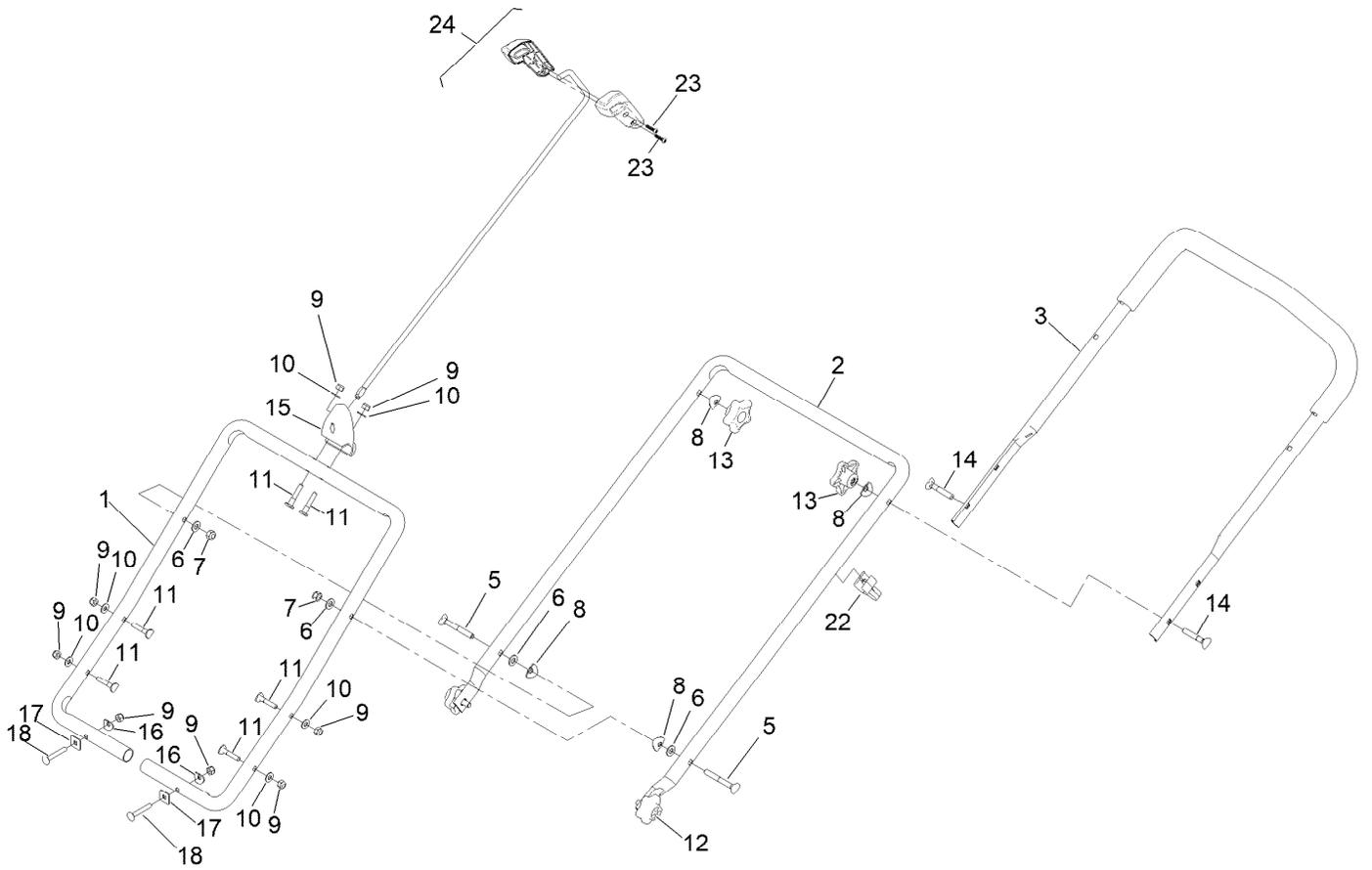
Chute Assembly



Chute Assembly (continued)

<i>Ref.</i>	<i>Part Number</i>	<i>Qty.</i>	<i>Description</i>	<i>Ref.</i>	<i>Part Number</i>	<i>Qty.</i>	<i>Description</i>
1	137-2278	1	Chute-Rear	8	137-2279	1	Shroud
2	139-5239	1	Chute	9	137-9431	1	Cover-Belt
2:2	114-9035	1	Decal-Danger, Discharge	10	139-5238	1	Cover-Battery
3	139-5240	1	Deflector-Chute	11	137-2283	1	Cover-Controller
3:2	114-9034	1	Decal-Danger	12	94-4496	14	Screw-PPH
3:3	117-2314	1	Trigger-Deflector	13	110-3143	1	Screw-Plastic, PPH
3:4	136-7136	2	Spring-Compression	15	137-2332	1	Decal-Battery, 60V Snow
5	137-2271	1	Gear-Chute	18	139-5229	1	Clip-Handle
6	137-2270	1	Bracket-Gear	19	144-3097	1	Decal-Brushless
7	139-5234	1	Gear-Sector				

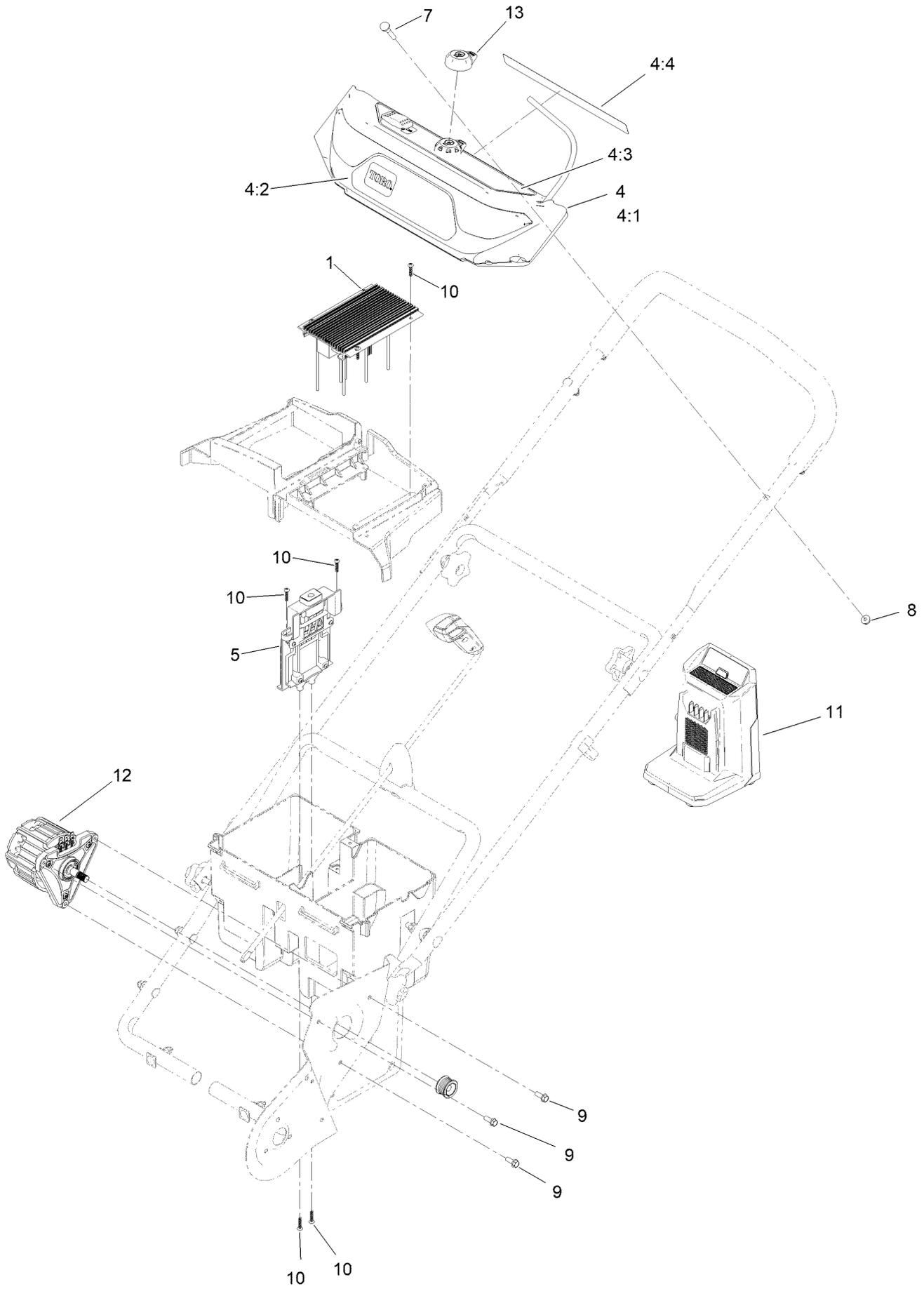
Handle Assembly



Handle Assembly (continued)

<i>Ref.</i>	<i>Part Number</i>	<i>Qty.</i>	<i>Description</i>	<i>Ref.</i>	<i>Part Number</i>	<i>Qty.</i>	<i>Description</i>
1	132-9183	1	Handle-Lower	12	137-9390	2	Knob-Handle
2	132-9184	1	Handle-Middle	13	117-5976	2	Knob-Handle
3	137-2326	1	Upper Handle ASM	14	92-2260	2	Screw-Handle
5	137-9479	2	Screw-Handle	15	137-9303	1	Guide-Rod, Chute
6	3256-70	4	Washer-Flat	16	3-7501	2	Washer
7	3296-72	2	Nut-Lock, NI	17	75-9040	2	Washer-Square
8	107-3844	4	Washer	18	3229-5	2	Screw-CARR
9	3296-73	8	Nut-Lock, NI	22	114-7988	1	Guide-Cable
10	3256-1	6	Washer-Flat	23	94-4496	2	Screw-PPH
11	117-7737	6	Screw-Handle	24	139-5244	1	Handle ASM

Electrical Assembly



Electrical Assembly (continued)

<i>Ref.</i>	<i>Part Number</i>	<i>Qty.</i>	<i>Description</i>	<i>Ref.</i>	<i>Part Number</i>	<i>Qty.</i>	<i>Description</i>
1	137-9424	1	Motor-Driver, Snow (60V)	7	117-7737	4	Screw-Handle
4	137-2347	1	Dash Panel ASM W/Decals	8	104-7201	4	Nut-HF, NI
4:1	137-2346	1	Dash Panel ASM	9	32144-85	3	Screw-HWH
4:2	137-2259	1	Decal-Power Clear	10	94-4496	8	Screw-PPH
4:3	137-2258	1	Decal-Operation	11	137-9439	1	Charger-60V (2A)
4:4	137-2257	1	Decal-Caution	12	139-5245	1	Motor ASM
5	137-9404	1	Battery Track ASM	13	139-5255	1	Key-Bail
6	137-9447	2	60V Battery, 3P 6.0Ah ●				

● Not illustrated

Attachments and Accessories

For 39902 Flex-Force Power System 60V MAX Snowthrower

Product Name	Model/Part
60V Battery Charger 2 AMP	88602
60V Rapid Battery Charger 5.4 AMP	88605
60V Battery Charger 1 AMP	88610
60V 2.0 AH Battery	88620
60V LI-ION Battery 2.5 AH.....	88625
60V LI-ION, Battery 4.0 AH	88640
60V LI-ION Battery 5.0 AH.....	88650
60V LI-ION Battery 6.0 AH.....	88660
60V LI-ION Battery 7.5 AH.....	88675

Notes:



Count on it.