



Mid–Size Mower

ProLine Gear with 44” Side Discharge Mower

Model No. 30259—210010001 and Up

Parts Catalog

Ordering Replacement Parts

To order replacement parts, please supply: the part number, the quantity, and the description of each part desired.

Understanding Reference Numbers

Each identified part in an illustration has a reference number. The reference number for a part also appears in the parts list, along with other information about the part.

This catalog uses two special reference number formats, one to indicate parts in a service assembly and another to indicate the quantity of a given part in an illustration.

Service Assembly Reference Numbers

Parts in service assemblies have reference numbers in the form **a:b**. The **a** represents the reference number of the entire service assembly and the **b** represents a sequential number unique to each part within the service assembly.

For example, a wheel assembly might be identified by reference number **6**, the tire by **6:1**, the valve by **6:2**, and the wheel by **6:3**. When you order the assembly identified by reference number **6**, you receive all parts identified by reference numbers **6:1**, **6:2**, and **6:3**. However, you may also order any part individually.

Reference numbers of this type appear in illustrations and in part lists.

Reference Numbers Indicating Quantity

In an illustration, if a reference number indicates more than one part, the reference number has the form **nX y**. The **n** represents the quantity of the part, the **X** is the multiplication symbol, and the **y** represents the reference number.

For example, in an illustration, the reference number **2X 37** means that two of the parts identified by reference number **37** are indicated.

Contents

Description	Page	Description	Page
Engine and Clutch Assembly	3	Valve/Camshaft Assembly	19
Clutch Assembly No. 54–3200	4	Piston/Crankshaft Assembly	20
Fuel Tank Assembly	5	Lubrication–Equipment Assembly	21
Lower Control Assembly	6	Cooling–Equipment Assembly	22
Transmission and Drive System Assembly	7	Cooling–Equipment Assembly	23
Wheel Drive and Brake System Assembly	8	Electric–Equipment Assembly	24
Handle Assembly	9	Electric–Equipment Assembly	25
Control Panel Assembly	10	Control–Equipment Assembly	26
Deck Assembly	11	Control–Equipment Assembly	27
Spindle, Idler Pulley and Belt Assembly	12	Carburetor Assembly	28
Spindle Housing Assembly No. 104–6316	13	Carburetor Assembly	29
Spindle Housing Assembly No. 104–6314	14	Air–Filter/Muffler Assembly	30
Carrier Frame Assembly	15	Starter	31
Cylinder/Crankcase Assembly	16	Starter/Decals	32
Cylinder/Crankcase Assembly	17	Fuel–Tank and Fuel–Valve Assembly	33
Valve/Camshaft Assembly	18	Electrical Schematic	34

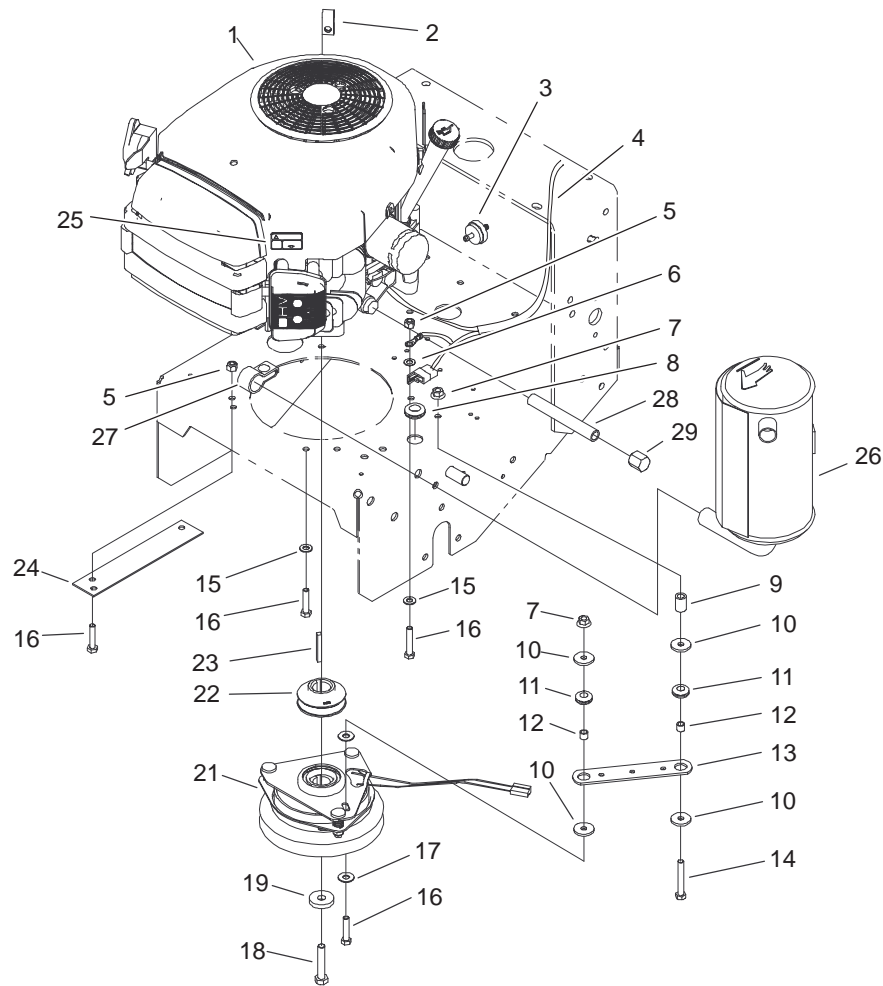
Accessories

Description	Model / Part No.	Description	Model / Part No.
Midsize Sulky	30123	44in Deck Recycler Kit	59220
ProLine Midsize Platform Sulky	30110	Z Recycler Kit (44in)	59226
Hourmeter Kit	105–2695	Atomic Blade Asm	104–1300
36/44/52/62in Soft Bagger F/D	30104	High Sail Blade	55–4940
36/44/52/62in Steel Bagger F/D	30107	Recycler Blade	92–7952
44/52in Striping Kit	30121		

Part Description Abbreviations

Part descriptions in this catalog may include the following abbreviations.

Abbreviation	Meaning	Abbreviation	Meaning
AR	as required	HYD	hydraulic
ASM	assembly	INC	incorporated
CARR	carriage	LH	left hand
DEG	degrees	NI	nylon insert
FH	flat head	PPH	Phillips pan head
GA	gauge	PTH	Phillips truss head
HF	hex flange	PTO	power take off
HH	hex head	RH	right hand
HHF	hex head flange	SFH	slotted fillister head
HLH	hex lag head	SHH	slotted hex head
HJ	hex jam	SQH	square head
HOC	height-of-cut	SHWH	slotted hex washer head
HS	hex socket	SPH	slotted pan head
HSBH	hex socket button head	SRH	slotted round head
HSFH	hex socket flat head	STD	standard
HSH	hex socket head	TAP	self tapping
HWH	hex washer head	TTH	Torx truss head
HWHTF	hex washer head thread forming	WH	wing head

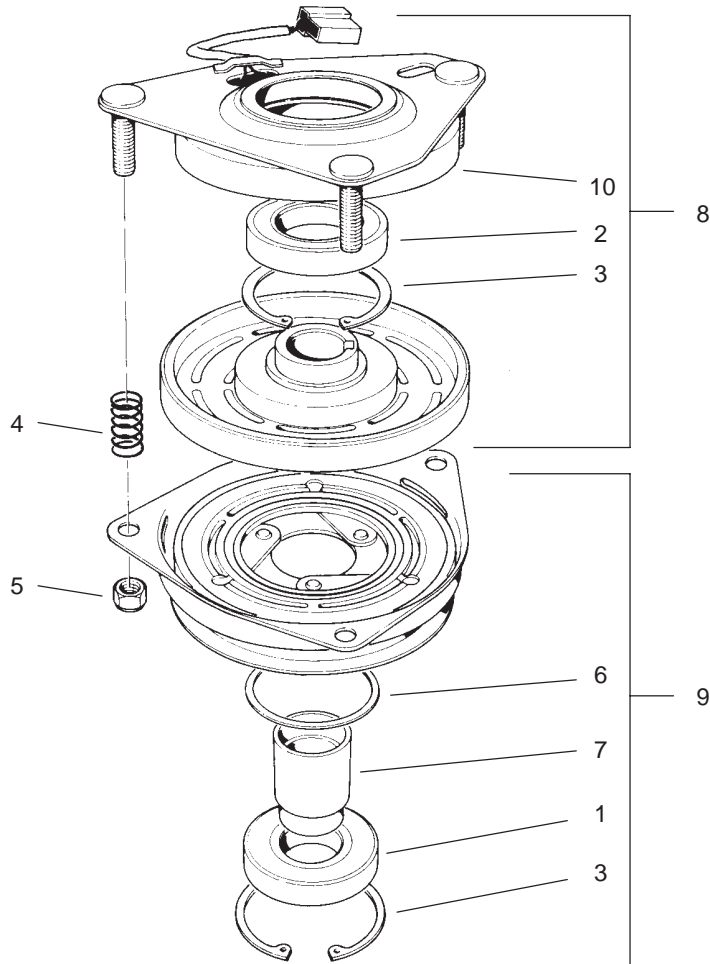


Sheet No.: 4

Engine and Clutch Assembly

Ref. No.	Part No.	Qty.	Description
1		1	Engine-Kawasaki, Fh500v-As25
2	2412-87	1	Clamp-Cable
3	56-6360	1	Filter-Fuel
4	104-8137	1	Harness-Wire
5	3296-29	4	Nut-Lock, NI
6	3255-8	1	Washer-Lock/Ext
7	32128-20	2	Nut-HF
8	237-124	1	Grommet
9	104-6373	1	Tube-Retainer
10	1-613235	4	Washer
11	1-633630	2	Grommet-Brake
12	1-633545	2	Spacer-Grommet
13	1-633543	1	Strap-Clutch/Brake
14	322-11	1	Screw-HH
15	3256-23	2	Washer-Flat
16	322-7	5	Screw-HH
17	3256-3	2	Washer-Flat
18	3212-9	1	Screw-HH
19	112843	1	Washer
21	54-3200	1	Clutch/Brake
22	105-0827	1	Pulley-Drive
23	608006	1	Key
24	94-5847-01	1	Cover-Pulley
25	63-8440	1	Decal-Surface, Hot
26	100-6467	1	Muffler

Ref. No.	Part No.	Qty.	Description
27	100-6468	1	Clamp-Muffler
28	289-19	1	Nipple
29	288-10	1	Cap-Pipe

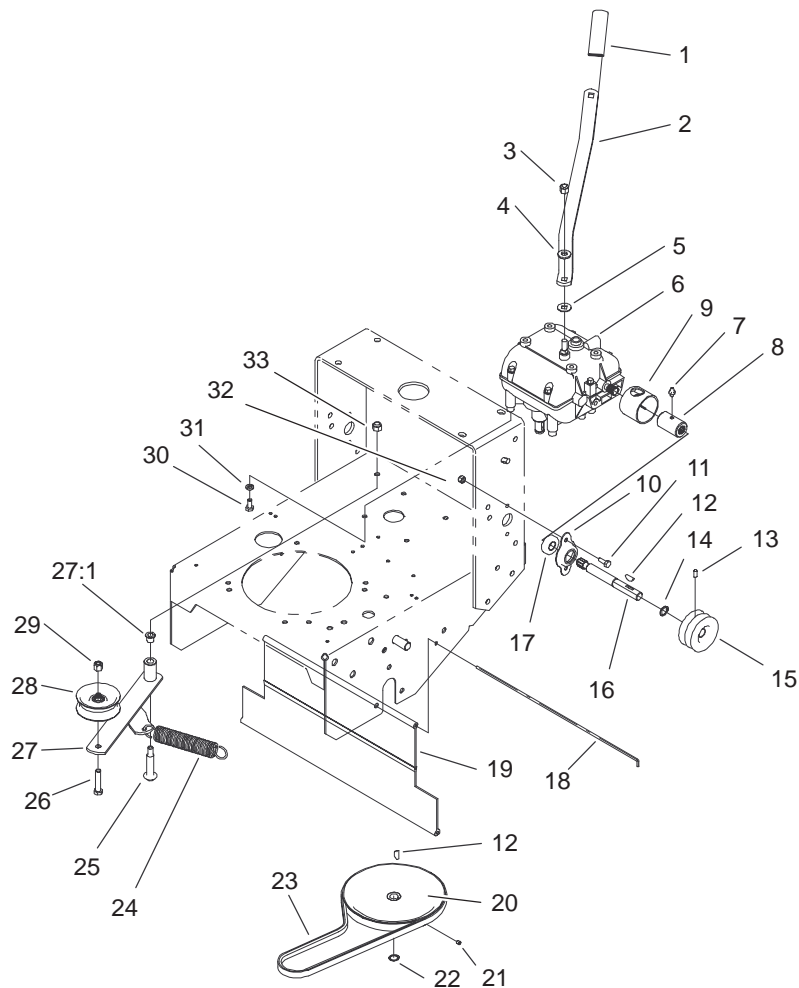


Sheet No.: A1
T-3726

Clutch Assembly No. 54-3200

Ref. No.	Part No.	Qty.	Description
1	251-291	1	Bearing-Pulley
2	251-292	1	Bearing-Field
3	44-8310	2	Ring-Retaining
4	44-8320	3	Spring
5	3296-6	3	Nut-Lock, NI
6	44-8330	1	Spacer-Bearing, Pulley
7	44-8340	1	Collar-Bearing
8	44-8360	1	Field Coil, Rotor, Bearing ASM
9	44-8370	1	Armature Pulley Bearing ASM
10	54-0230	1	Field Bearing ASM

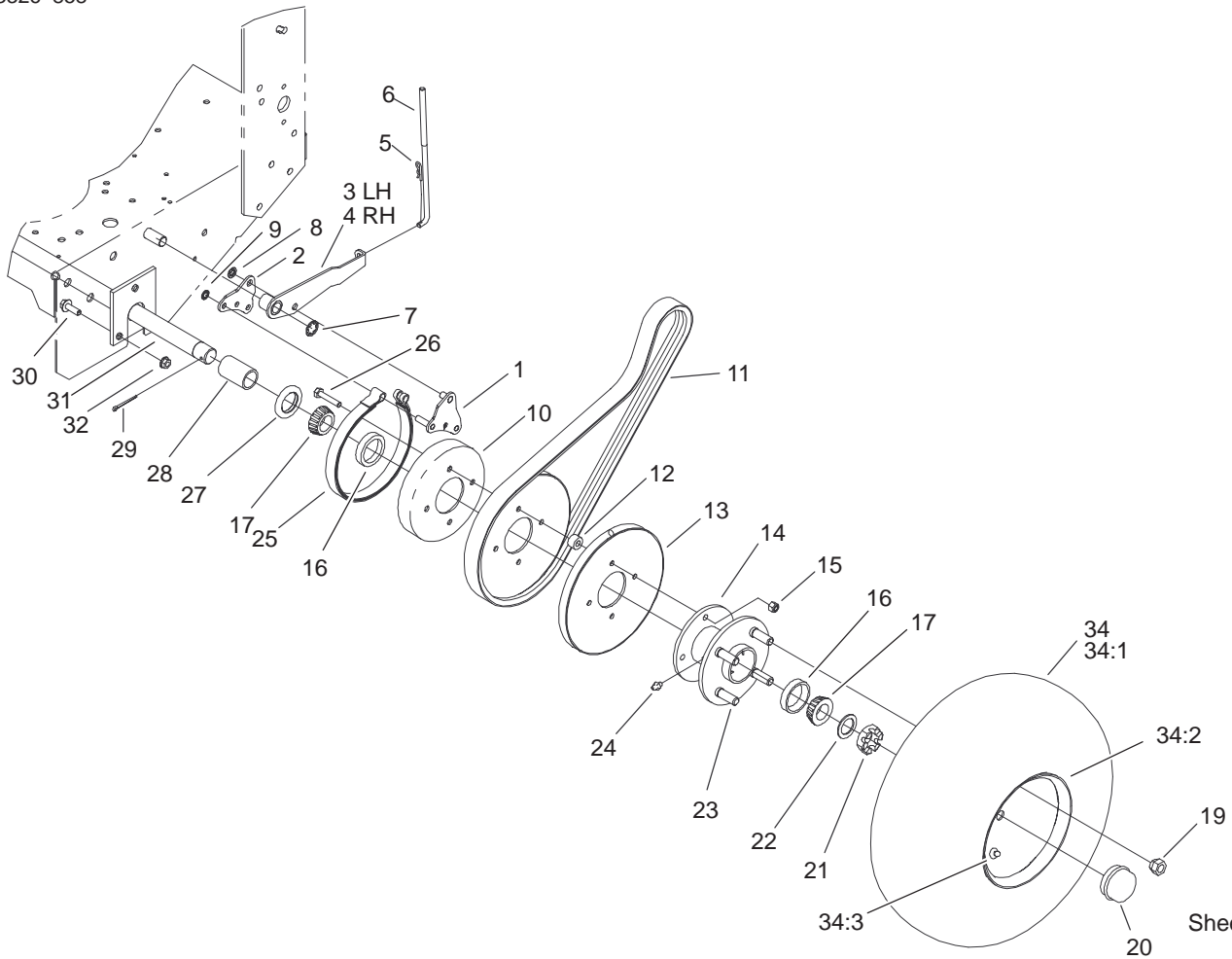
Ref. No.	Part No.	Qty.	Description



Sheet No.: 7

Transmission and Drive System Assembly

Ref. No.	Part No.	Qty.	Description	Ref. No.	Part No.	Qty.	Description
1	47-1970	1	Grip	27	16-7509	1	Lever-Idler
2	98-3274-03	1	Lever-Shift	27:1	256-155	2	Bushing-Flange
3	3296-6	1	Nut-Lock, NI	28	62-4540	1	Pulley
4	98-5975	1	Washer-Belleville	29	3296-39	1	Nut-Lock, NI
5	1-323379	1	Washer-Lever, Shifter	30	322-2	4	Screw-HH
6	1-323500	1	Transmission	31	3253-4	4	Washer-Lock
7	302-5	2	Fitting-Grease	32	3296-42	4	Nut-Lock, NI
8	98-0789	2	Coupler	33	3296-6	1	Nut-Lock, NI
9	51-4220	2	Guard-Coupler				
10	1-323254	2	Flange-Output				
11	321-4	4	Screw-HH				
12	3257-5	3	Key-Woodruff				
13	3245-9	2	Screw-Set				
14	32151-62	2	Ring-Retaining				
15	105-0828	2	Pulley-Transmission				
16	104-1102	2	Shaft-Output				
17	1-323252	2	Bearing-Shaft				
18	95-1529	1	Rod-Shield				
19	95-1526	1	Shield-Trailing				
20	51-4190	1	Pulley-Driven				
21	3245-1	1	Screw-Set, HSH				
22	32120-64	1	Ring-Snap, External				
23	26-9671	1	V-Belt				
24	68-2190	1	Spring				
25	27-6230	1	Bolt-Wheel				
26	323-9	1	Screw-HH				

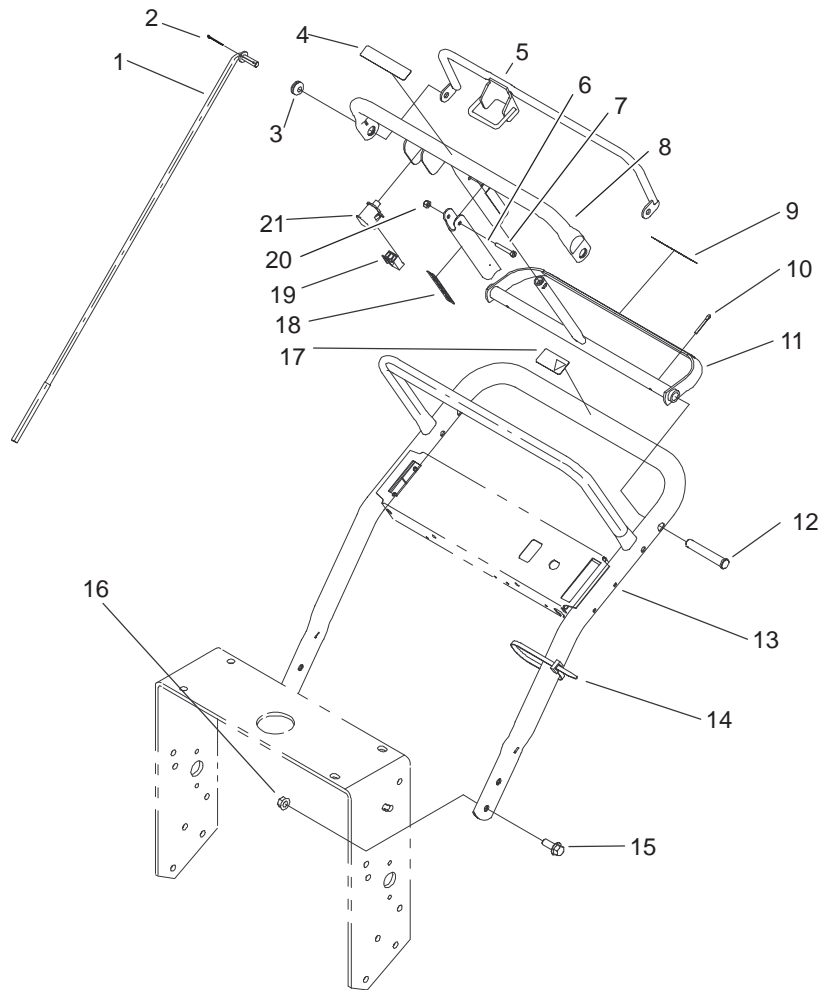


Sheet No.: 8

Wheel Drive and Brake System Assembly

Ref. No.	Part No.	Qty.	Description
1	105-4652-01	2	Brake Link ASM
2	105-4651-01	2	Plate-Link, Brake
3	105-4667-01	1	LH Brake Arm ASM
4	105-4668-01	1	RH Brake Arm ASM
5	3290-307	2	Pin-Hair
6	51-4580	2	Rod-Brake
7	32151-40	2	Ring-Retaining
8	32151-56	2	Ring-Retaining, External
9	32151-72	4	Ring-Retaining
10	1-323261	2	Drum-Brake
11	104-8152	2	Belt-Drive, Traction
12	51-4170	8	Spacer-Pulley
13	51-4160-03	4	Pulley-Wheel
14	1-413333	2	Hub-Wheel W/Cups
15	3296-29	8	Nut-Lock, NI
16	254-72	4	Bearing-Cup, Tapered
17	254-94	4	Bearing-Cone, Taper
19	242-50	8	Nut-Lug
20	241-119	2	Cap-Dust
21	1-809082	2	Nut-Shh
22	1-523157	2	Washer-Spacer
23	1-633926	8	Stud-Wheel
24	302-19	2	Fitting-Grease
25	1-323262	2	Band-Brake
26	322-8	8	Screw-HH

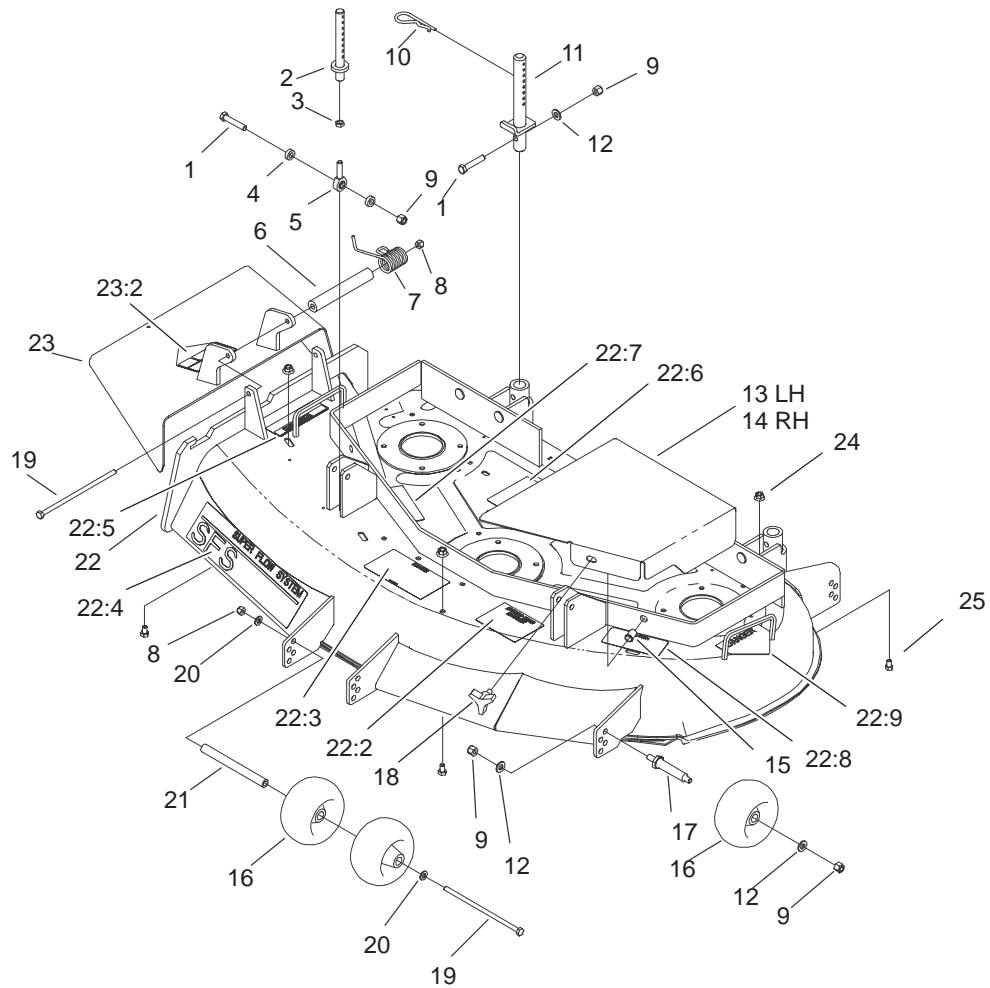
Ref. No.	Part No.	Qty.	Description
27	1-543511	2	Seal-Grease
28	104-1197	2	Spacer-Wheel
29	1-806800	2	Pin-Cotter
30	3234-11	6	Screw-HHF
31	104-1196-01	1	Axle ASM
32	32128-21	6	Nut-HF
34	104-1198	2	Wheel And Tire ASM
34:1	104-6320	1	Tire
34:2	104-1199	1	Wheel
34:3	232-27	1	Stem-Valve



Sheet No.: 9

Handle Assembly

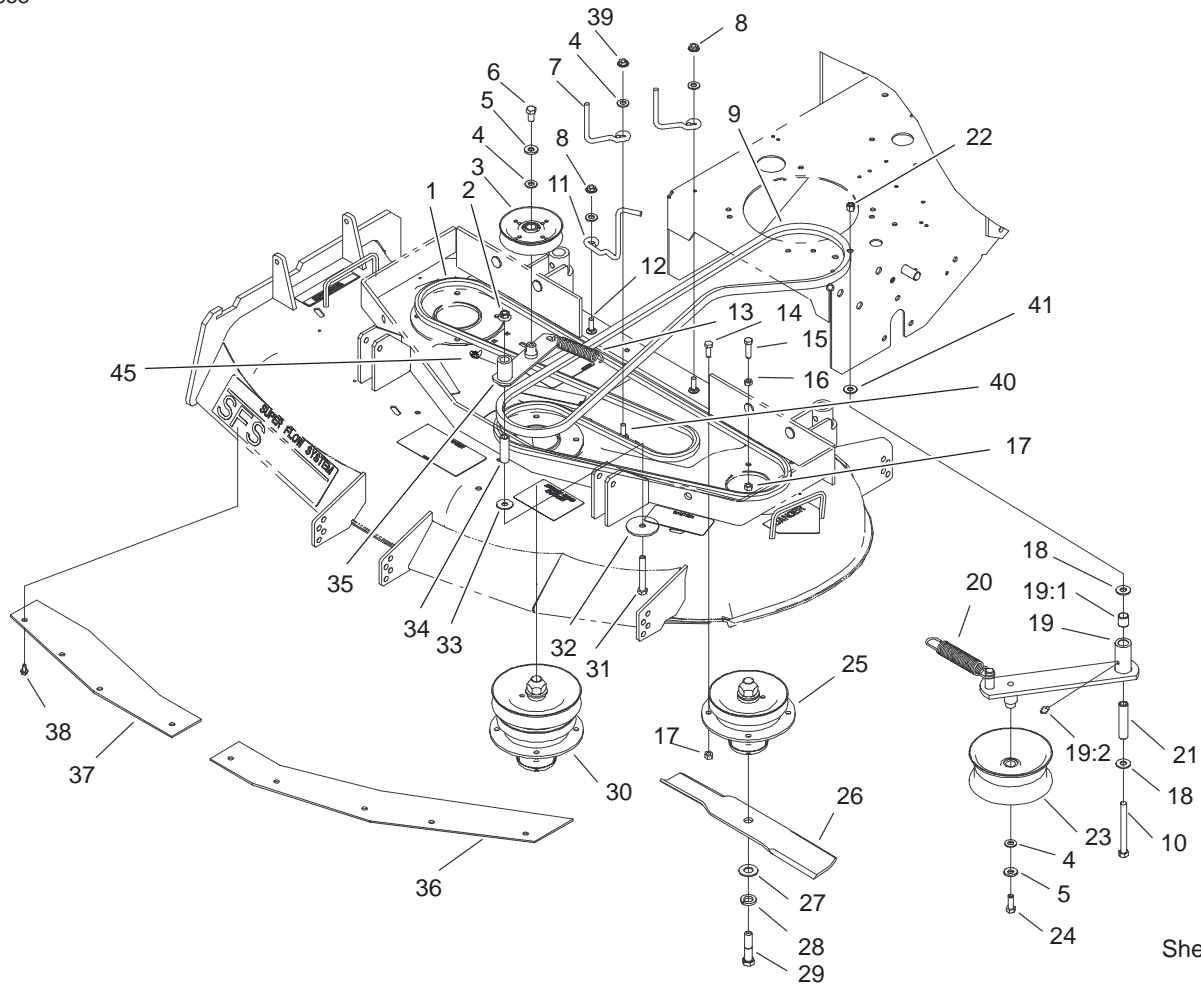
Ref. No.	Part No.	Qty.	Description	Ref. No.	Part No.	Qty.	Description
1	82-7631	2	Rod-Control				
2	3272-4	2	Pin-Cotter				
3	237-141	2	Grommet-Rubber				
4	82-2290	1	Decal-Bar, Control				
5	82-7680-03	1	Bail				
6	51-4850-03	1	Lever-Brake, Parking				
7	32105-1	1	Screw-Shh				
8	82-7690-03	1	Bar-Control				
9	82-2280	1	Decal-Handle, Reverse				
10	3272-11	2	Pin-Cotter				
11	99-8501-03	1	Control-Pivot				
12	283-55	2	Pin-Clevis				
13	67-6440-03	1	Handle-Upper				
14	3290-378	1	Tie-Cable				
15	3234-11	4	Screw-HHF				
16	32128-21	4	Nut-HF				
17	98-4387	1	Decal-Protection, Ear				
18	52-2010	1	Decal-Lever, Parking				
19	218-595	1	Connector-Body				
20	3296-2	1	Nut-Lock				
21	82-2190	1	Switch-Bail				



Sheet No.: 2

Deck Assembly

Ref. No.	Part No.	Qty.	Description	Ref. No.	Part No.	Qty.	Description
1	323-10	4	Screw-HH	22:5	104-8569	1	Decal-Deflector Warning
2	105-0832	2	Link-Support	22:6	104-8186	1	Decal-Belt Routing
3	3220-3	2	Nut-Jam	22:7	67-5360	3	Decal-Danger
4	104-1156	4	Spacer	22:8	68-8340	1	Decal-Torque
5	1-613204	2	Balljoint	22:9	43-8480	1	Decal-Danger
6	104-8555	1	Spacer-Mounting, Deflector	23	104-7783	1	Deflector ASM
7	104-8554	1	Spring-Torsion	23:2	54-9220	1	Decal-Danger
8	3296-29	2	Nut-Lock	24	32128-20	3	Nut-HF
9	3296-39	8	Nut-Lock, NI	25	322-1	3	Screw-HH
10	3290-256	6	Pin-Hair				
11	105-0831	2	Rod ASM				
12	3256-24	6	Washer-Flat				
13	104-8117-01	1	Cover-Belt,Left				
14	104-8118-01	1	Cover-Belt,Right				
15	32148-10	2	Insert-Threaded				
16	68-2730	4	Gage-Wheel				
17	99-2842	2	Spacer-Wheel				
18	104-8587	2	Knob				
19	322-50	2	Screw-Cap				
20	3256-23	2	Washer-Flat				
21	98-5967	1	Spacer - Wheel				
22	104-6392	1	44" Deck ASM				
22:2	105-0840	1	Decal-Anti Scalp				
22:3	66-1340	1	Decal-Danger				
22:4	98-8028	1	Decal-Sfs 44"				

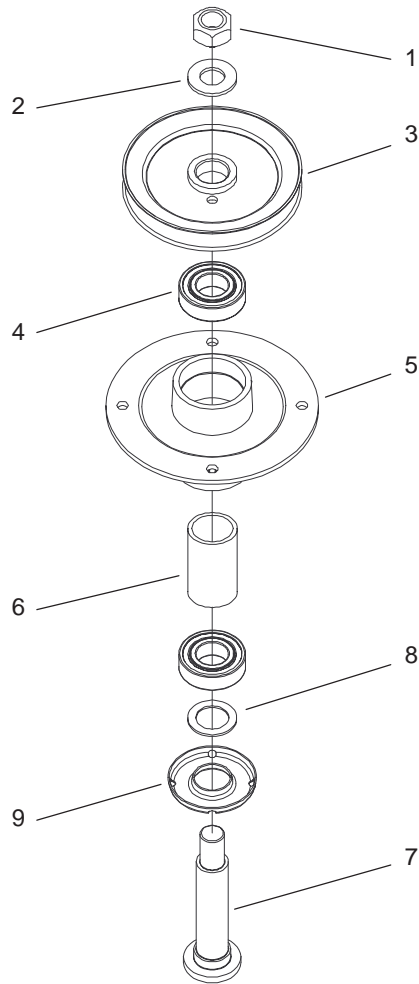


Sheet No.: 3

Spindle, Idler Pulley and Belt Assembly

Ref. No.	Part No.	Qty.	Description
1	27-1160	1	V-Belt, Deck
2	32128-19	1	Nut-HF
3	65-5940	1	Pulley-Idler
4	3256-24	5	Washer-Flat
5	98-5975	2	Washer-Belleville
6	323-4	1	Screw-HH
7	52-4780	2	Rod-Belt
8	32128-13	2	Nut-HF
9	104-8120	1	V-Belt, PTO
10	323-42	1	Screw-HH
11	105-0852	1	Guide-Belt
12	3230-2	2	Screw-CARR
13	54-2730-03	1	Spring-Extension
14	322-4	11	Screw-HH
15	322-6	1	Screw-HH
16	3218-2	1	Nut-Jam
17	32152-1	12	Nut-Lock, NI
18	1-809107	2	Washer-Hardened
19	104-6370	1	Idler Arm ASM
19:1	1-513034	2	Sleeve-Bearing
19:2	302-5	1	Fitting-Grease
20	104-8161	1	Spring-Extension
21	104-6377	1	Tube - Idler
22	3296-39	1	Nut-Lock, NI
23	1-413099	1	Pulley-Idler
24	323-6	1	Screw-HH

Ref. No.	Part No.	Qty.	Description
25	104-6316	2	Spindle Housing ASM
26	54-0010	3	Blade
27	3256-27	3	Washer-Flat
28	3253-8	3	Washer-Lock
29	51-4060	3	Screw-Blade
30	104-6314	1	Spindle Housing ASM
31	323-13	1	Screw-HH
32	20-9530	1	Washer-End
33	52-2860	1	Washer
34	104-8113	1	Tube-Idler
35	104-8110	1	Idler Arm ASM
36	100-3258-03	1	Plate-Blowout, LH
37	100-3257-03	1	Plate-Blowout, RH
38	12-3270	9	Screw
39	32128-10	1	Nut-HHF
40	3229-4	1	Screw-CARR
41	3256-4	1	Washer-Flat
45	302-19	1	Fitting-Grease

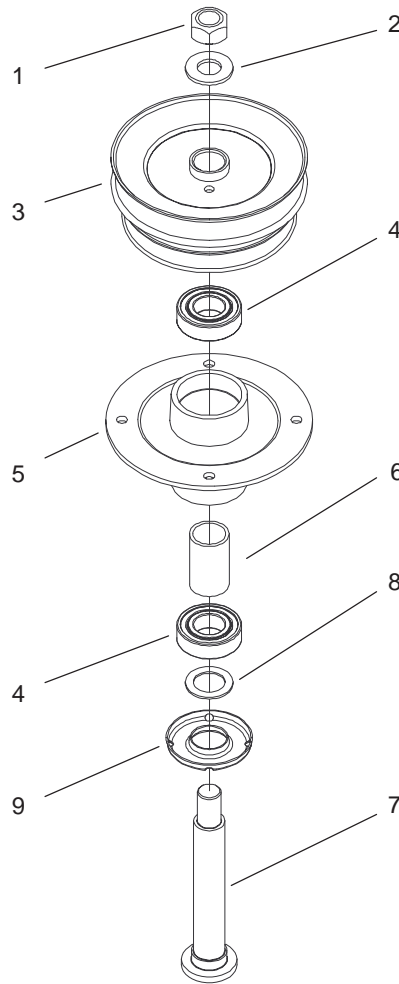


Sheet No.: A1
C_3014

Spindle Housing Assembly No. 104-6316

Ref. No.	Part No.	Qty.	Description
1	3219-7	1	Nut-Hex
2	7-4150	1	Washer-Pinion
3	104-1181	1	Pulley ASM
4	104-6325	2	Bearing
5	67-7590	1	Housing-Spindle
6	104-6312	1	Spacer-Bearing
7	104-8193	1	Shaft-Spindle
8	88-7540	1	Washer - Backup
9	79-1920	1	Shield-Bearing

Ref. No.	Part No.	Qty.	Description

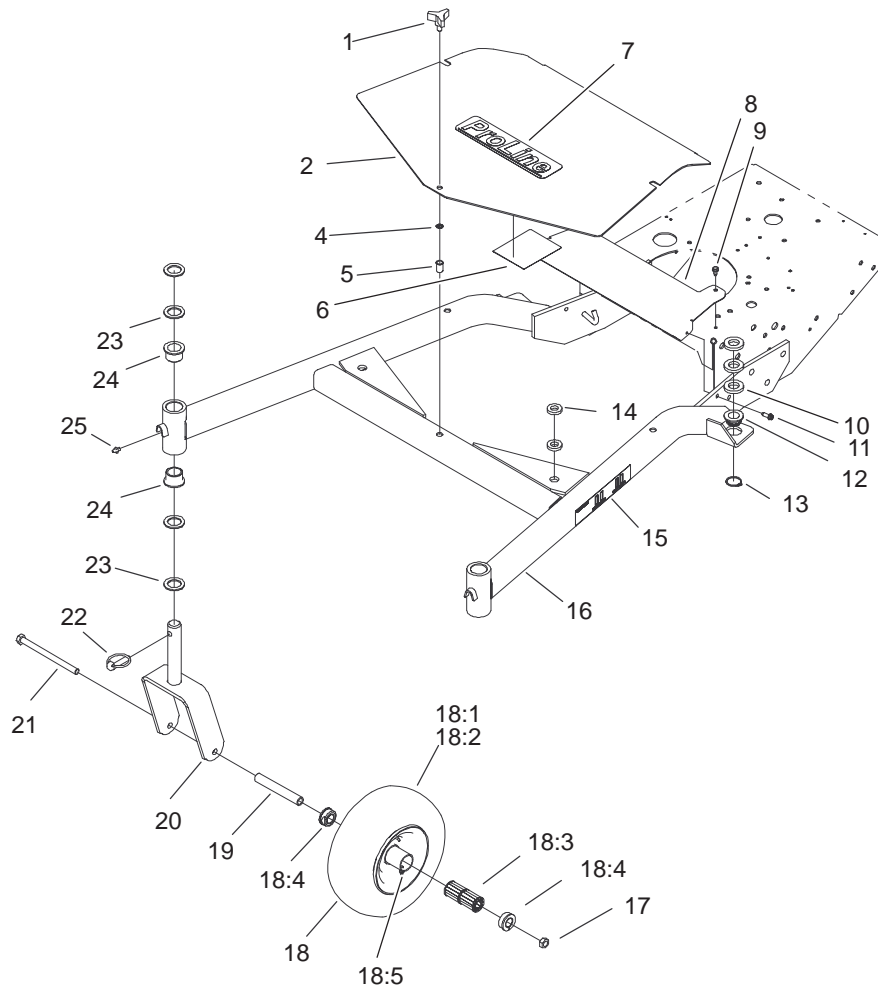


Sheet No.: A2
C-3013

Spindle Housing Assembly No. 104-6314

Ref. No.	Part No.	Qty.	Description
1	3219-7	1	Nut-Hex
2	7-4150	1	Washer-Pinion
3	104-1116	1	Pulley And Hub ASM
4	104-6325	2	Bearing
5	67-7590	1	Housing-Spindle
6	104-6312	1	Spacer-Bearing
7	104-8194	1	Shaft-Spindle
8	88-7540	1	Washer - Backup
9	79-1920	1	Shield-Bearing

Ref. No.	Part No.	Qty.	Description



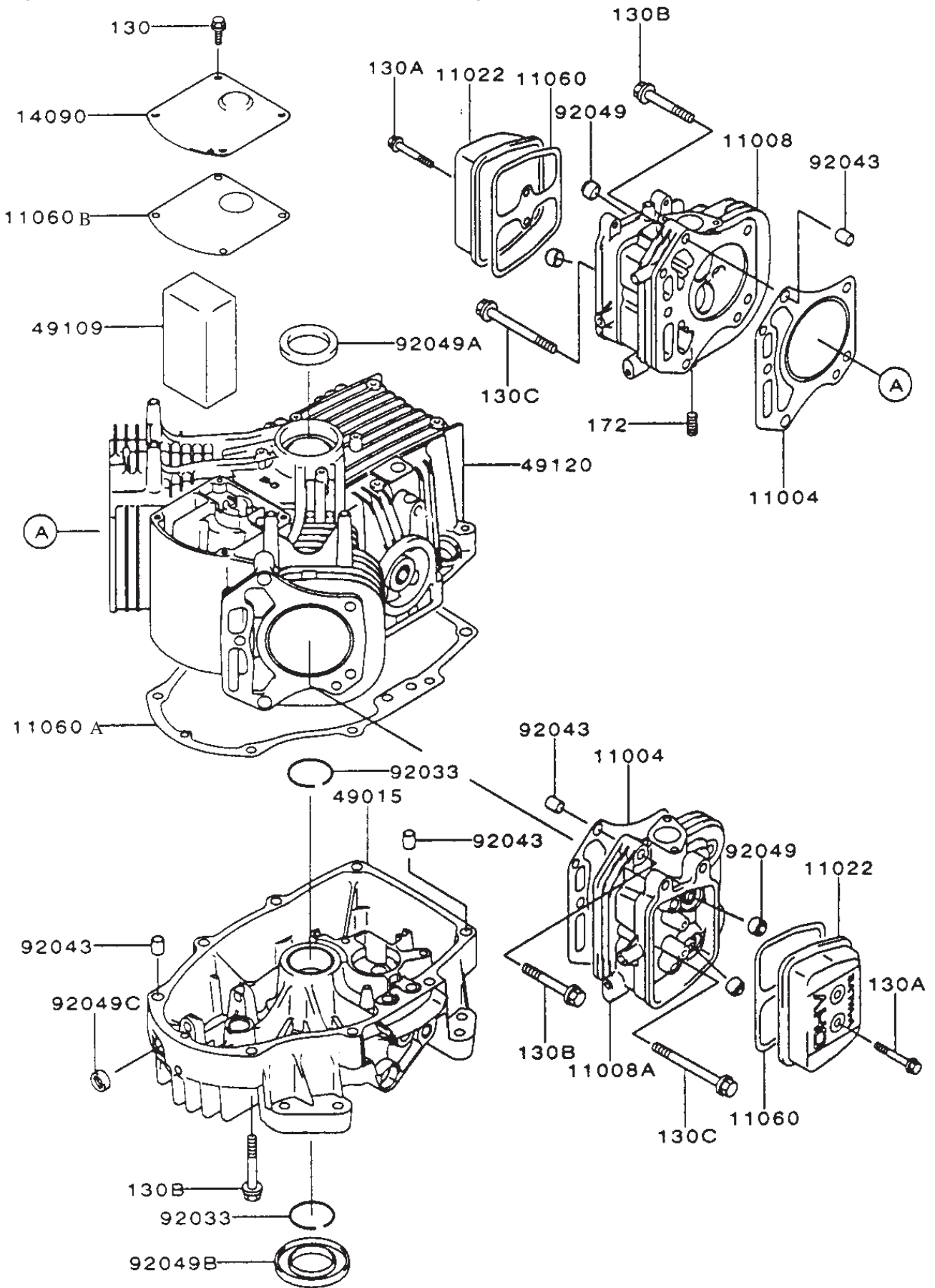
Sheet No.: 4

Carrier Frame Assembly

Ref. No.	Part No.	Qty.	Description
1	104-8587	3	Knob
2	104-8153-01	1	Cover-Carrier Frame
4	32151-72	1	Ring-Retaining
5	32148-9	3	Nut-Insert
6	104-8173	1	Decal-Service, Hydro
6	104-8175	1	Decal-Service, Gear
7	74-2080	1	Decal-Proline
8	105-0845-01	1	Shield-Heat
9	12-3270	2	Screw
10	104-1105	6	Spacer-Deck Support
11	49-2040	2	Screw-Tapping
12	1-513336	2	Bushing - Deck
13	32120-33	2	Ring-Retaining
14	105-0842	4	Spacer
15	104-8171	2	Decal-HOC
16	104-1109-01	1	Carrier Frame ASM
17	32153-5	2	Nut-Lock
18	104-1170	2	Castor Wheel ASM
18:1	104-1169	1	Tire And Tube ASM
18:2	105-0844	1	Tube-Inner
18:3	62-5570	2	Bearing-Roller
18:4	62-5580	2	Bearing-Outside
18:5	302-11	1	Fitting-Lube, 45°
19	104-1189	2	Bushing-Spanner
20	104-1183-01	2	Castor Fork ASM
21	325-33	2	Screw-HH

Ref. No.	Part No.	Qty.	Description
22	283-71	2	Pin-Lynch
23	3-6781	8	Washer-Thrust
24	94-1291	4	Bushing-Special
25	302-5	2	Fitting-Grease

Cylinder/Crankcase Assembly Kawasaki FH500V-AS25

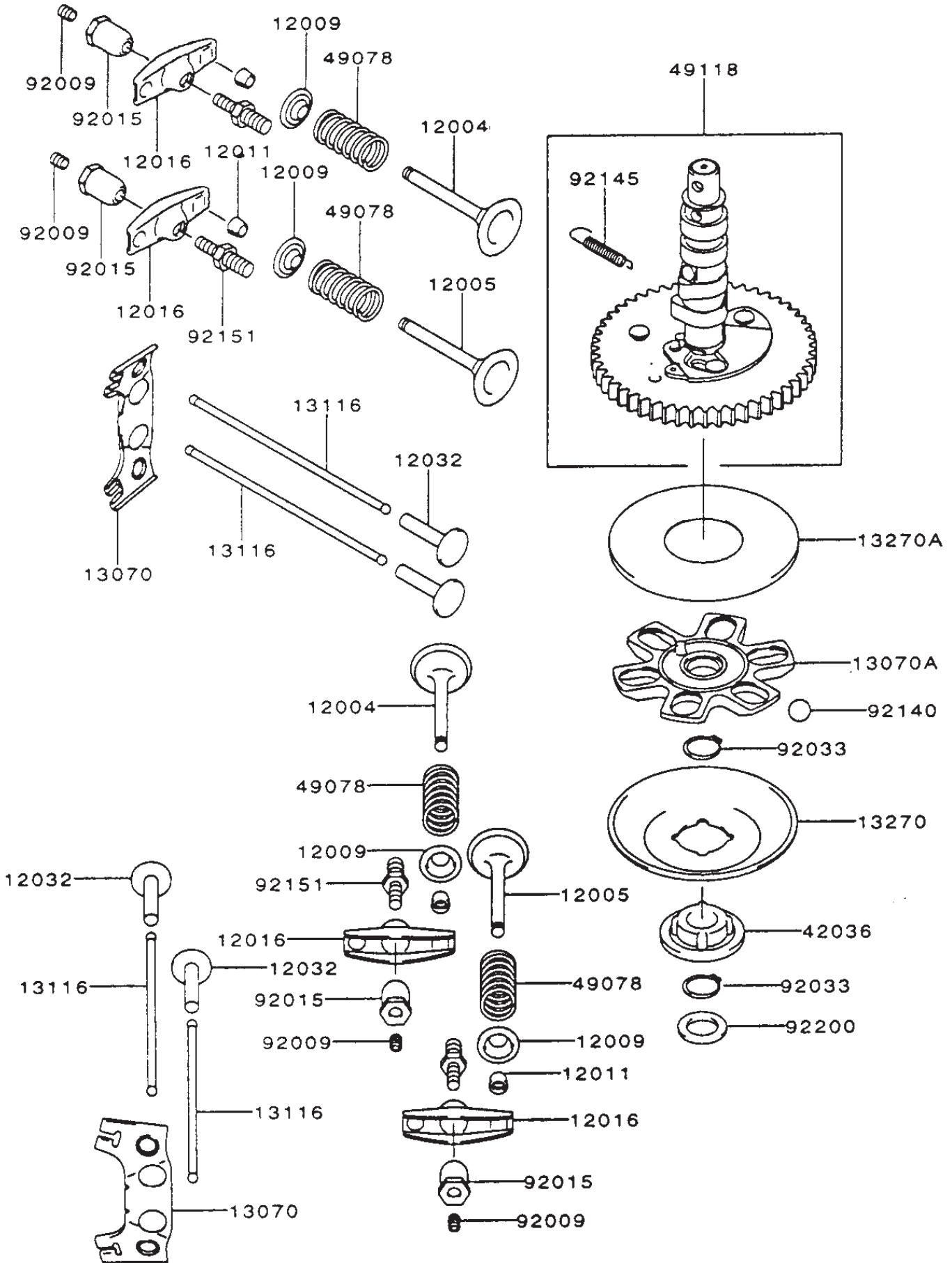


Cylinder/Crankcase Assembly Kawasaki FH500V-AS25

Ref. No.	Part No.	Qty.	Description
11004	11004-7001	2	Gasket-Head
11008	11008-7001	1	Head-Comp-Cylinder No. 1
11008A	11008-7002	1	Head-Comp-Cylinder No. 2
11022	11022-7001	2	Case-Rocker
11060	11060-7001	2	Gasket, Rocker Case
11060A	11060-7008	1	Gasket, Crankcase Cover
11060B	11060-7015	1	Gasket, Breather
14090	14090-7001	1	Cover, Breather
49015	49015-6215	1	Cover-Crankcase
49109	49109-7002	1	Element-Breather
49120	49120-6119	1	Crankcase-Comp
92033	92033-7003	2	Ring-Snap
92043	92043-7001	6	Pin
92049	92049-7001	4	Seal-Oil
92049A	92049-7002	1	Seal-Oil
92049B	92049-7004	1	Seal-Oil
92049C	92049-7005	1	Seal-Oil
130	130B0612	4	Bolt-Flanged
130A	130B0640	4	Bolt-Flanged
130B	130T0850	17	Bolt-Flanged
130C	130T0875	2	Bolt-Flanged
172	172G0818	4	Bolt-Stud

Ref. No.	Part No.	Qty.	Description

Valve/Camshaft Assembly Kawasaki FH500V-AS25

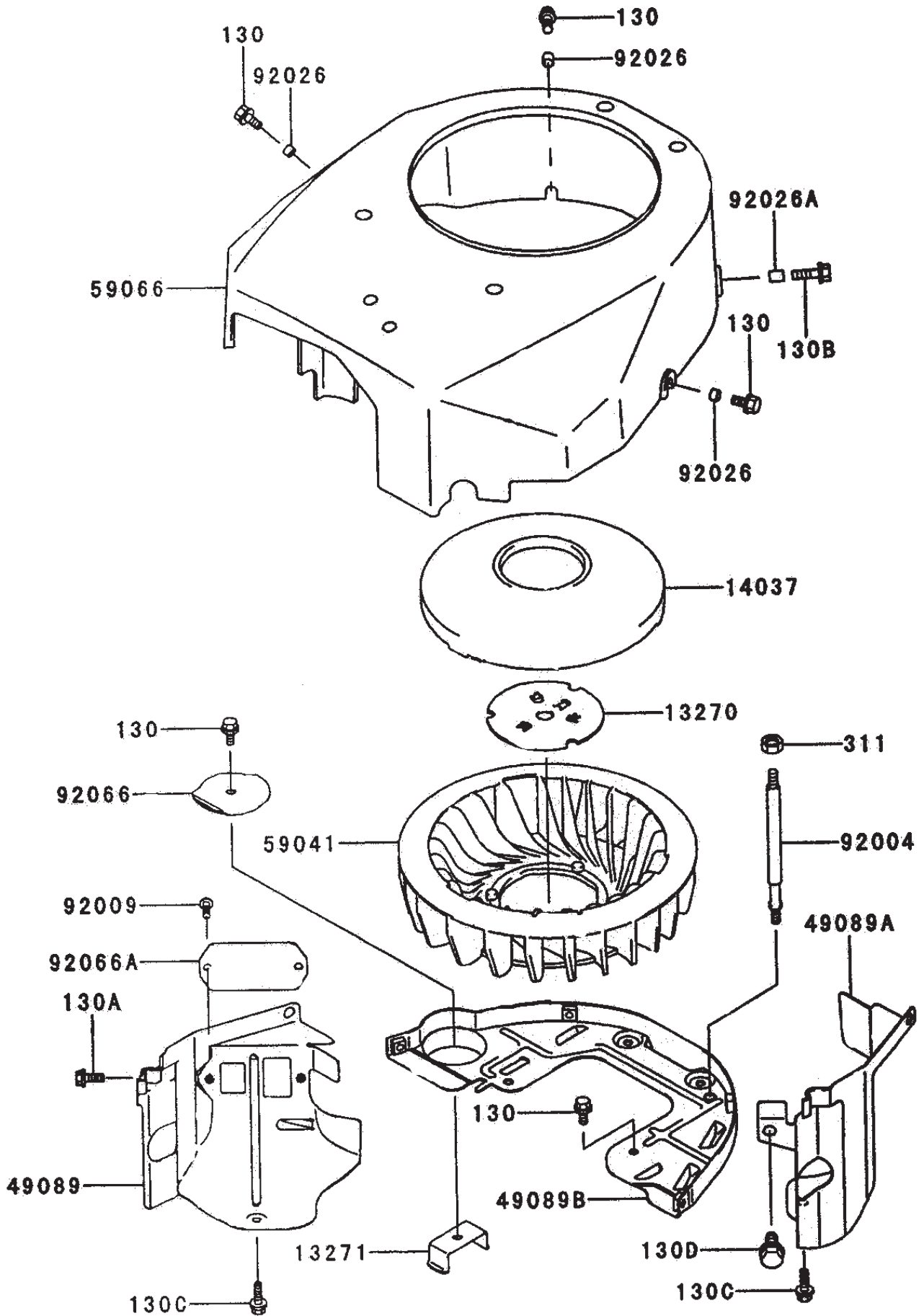


Valve/Camshaft Assembly Kawasaki FH500V-AS25

Ref. No.	Part No.	Qty.	Description
12004	12004-7001	2	Valve-Intake
12005	12005-7001	2	Valve-Exhaust
12009	12009-7001	4	Retainer-Valve Spring
12011	12011-2056	8	Collet
12016	12016-7001	4	Arm-Rocker
12032	12032-7001	4	Tappet
13070	13070-7001	2	Guide
13070A	13070-7002	1	Guide
13116	13116-2057	4	Rod-Push
13270	13270-7002	1	Plate
13270A	13270-7003	1	Plate
42036	42036-7001	1	Sleeve
49078	49078-7001	4	Spring-Engine Valve
49118	49118-7002	1	Camshaft-Comp
92009	92009-2341	4	Screw
92015	92015-2253	4	Nut
92033	92033-7001	2	Ring-Snap
92140	92140-7002	6	Ball
92145	92145-7001	1	Spring
92151	92151-7001	4	Bolt
92200	92200-7001	1	Washer

Ref. No.	Part No.	Qty.	Description

Cooling-Equipment Assembly Kawasaki FH500V-AS25

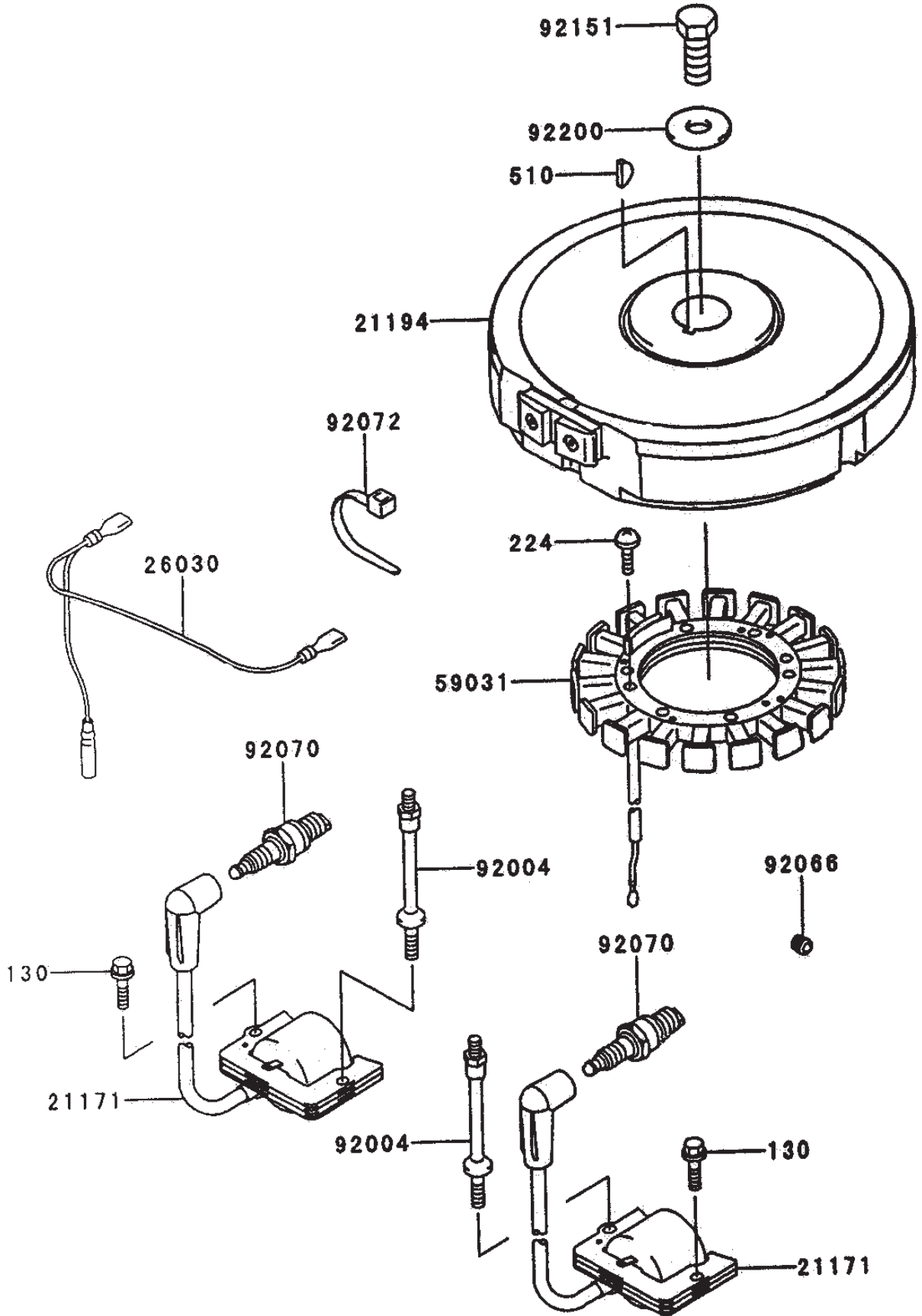


Cooling-Equipment Assembly Kawasaki FH500V-AS25

Ref. No.	Part No.	Qty.	Description
130	130B0612	6	Bolt-Flanged
130A	130B0616	2	Bolt-Flanged
130B	130B0620	1	Bolt-Flanged
130C	130B0625	2	Bolt-Flanged
130D	130B0816	1	Bolt-Flanged
13270	13270-7007	1	Plate
13271	13271-7002	1	Plate
14037	14037-7002	1	Screen
311	311B0600	2	Nut-Hex
49089	49089-7001	1	Shroud-Engine
49089A	49089-7002	1	Shroud-Engine
49089B	49089-7003	1	Shroud-Engine
59041	59041-7001	1	Fan
59066	59066-7002	1	Housing-Fan
92004	92004-7006	2	Stud
92009	92009-2308	2	Screw
92026	92026-7001	3	Spacer, 6.2x7.9x5
92026A	92026-7003	1	Spacer, 6.5x7.9x10.5
92066	92066-7004	1	Plug
92066A	92066-7004	1	Plug

Ref. No.	Part No.	Qty.	Description

Electric-Equipment Assembly Kawasaki FH500V-AS25

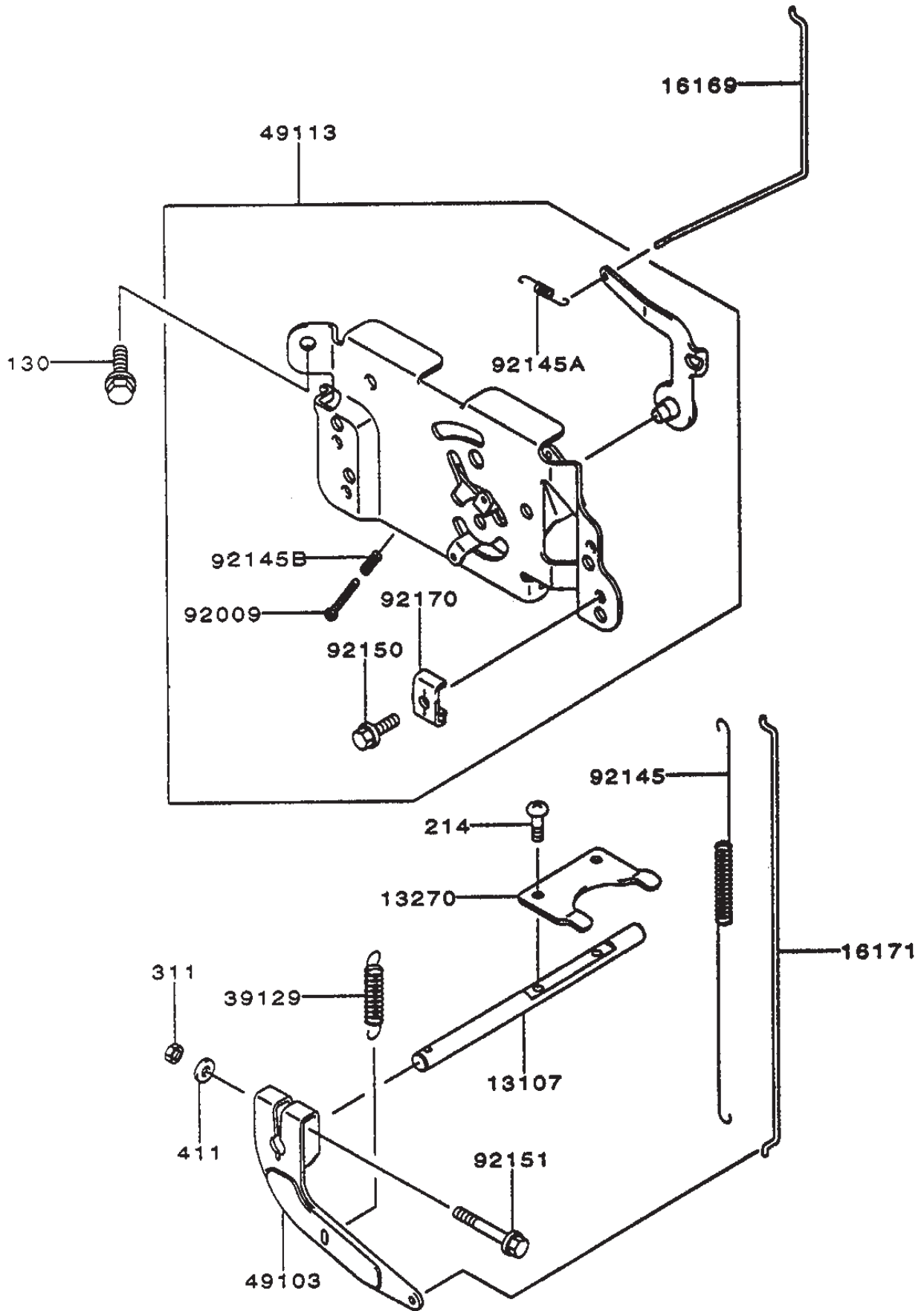


Electric-Equipment Assembly Kawasaki FH500V-AS25

Ref. No.	Part No.	Qty.	Description
21171	21171-7001	2	Coil-Assy-Ignition
21194	21193-7001	1	Flywheel-Assy
26030	26030-7001	1	Harness
59031	59031-7002	1	Coil-Charging
92004	92004-2147	2	Stud
92066	92066-7002	1	Plug
92070	92070-7001	2	Plug-Spark (RCJ8Y)
92072	92072-7001	2	Band
92151	92151-2097	1	Bolt, 12x30
92220	92220-7002	1	Washer
130	130B0620	2	Bolt-Flanged
224	224B0520	4	Screw-Pan-WP-Cros
510	510A5100	1	Key-Woodruff

Ref. No.	Part No.	Qty.	Description

Control-Equipment Assembly Kawasaki FH500V-AS25

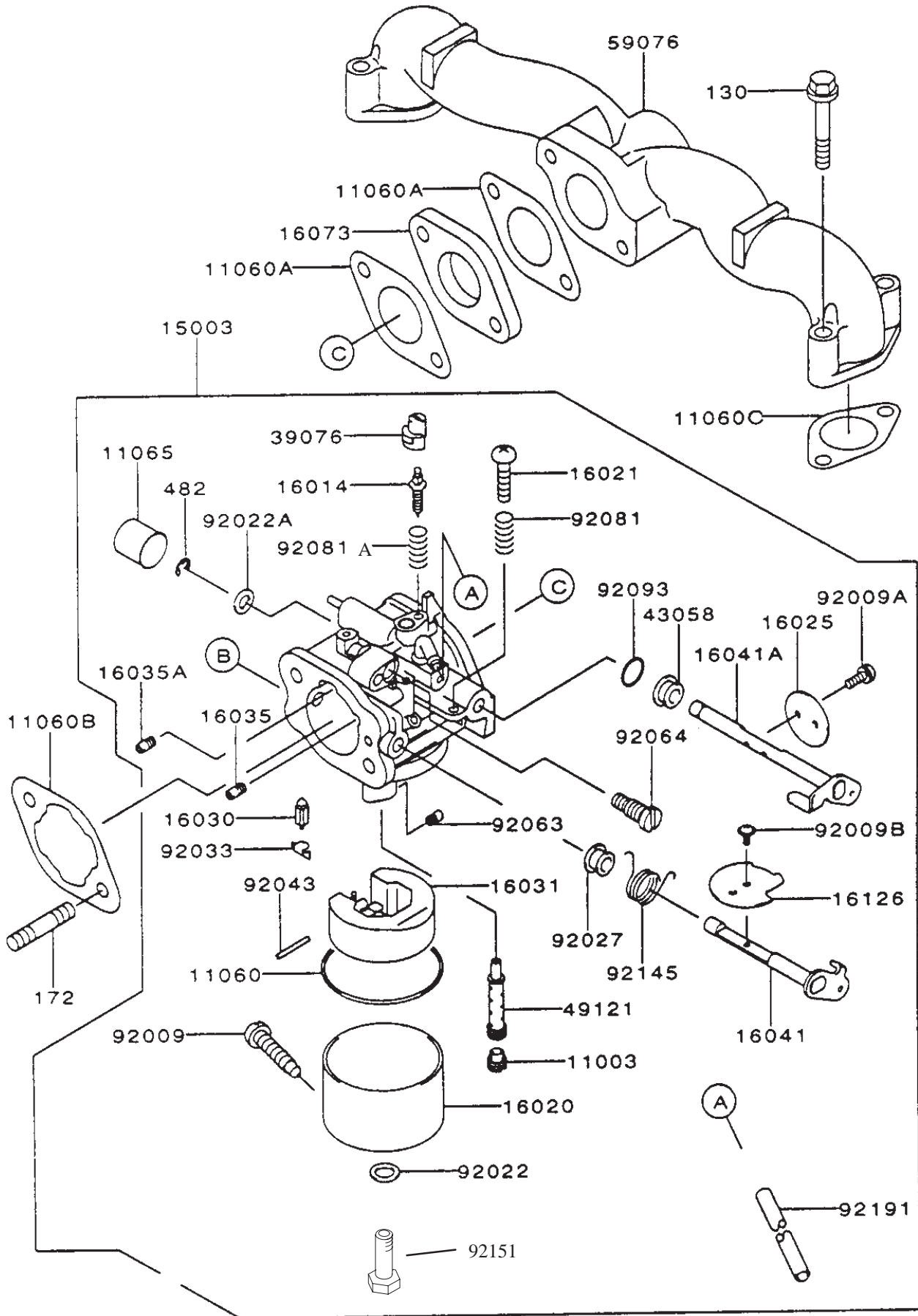


Control-Equipment Assembly Kawasaki FH500V-AS25

Ref. No.	Part No.	Qty.	Description
13107	13107-7002	1	Shaft
13270	13270-7006	1	Plate
16169	16169-7001	1	Link-Choke
16171	16171-7001	1	Link
39129	39129-7003	1	Spring-Governor
49103	49103-7001	1	Arm-Governor
49113	49113-7001	1	Panel-Comp-Control
92009	92009-7002	1	Screw, 4x30
92145	92145-7003	1	Spring
92145A	92145-7004	1	Spring
92145B	92145-7005	1	Spring
92150	92150-2182	1	Bolt, 5x18
92151	92151-7006	1	Bolt, 6x30
92170	92170-7001	1	Clamp
130	130B0612	2	Bolt-Flanged
214	214B0408	2	Screw-Pan
311	311B0600	1	Nut-Hex
411	411B0600	1	Washer-Plain

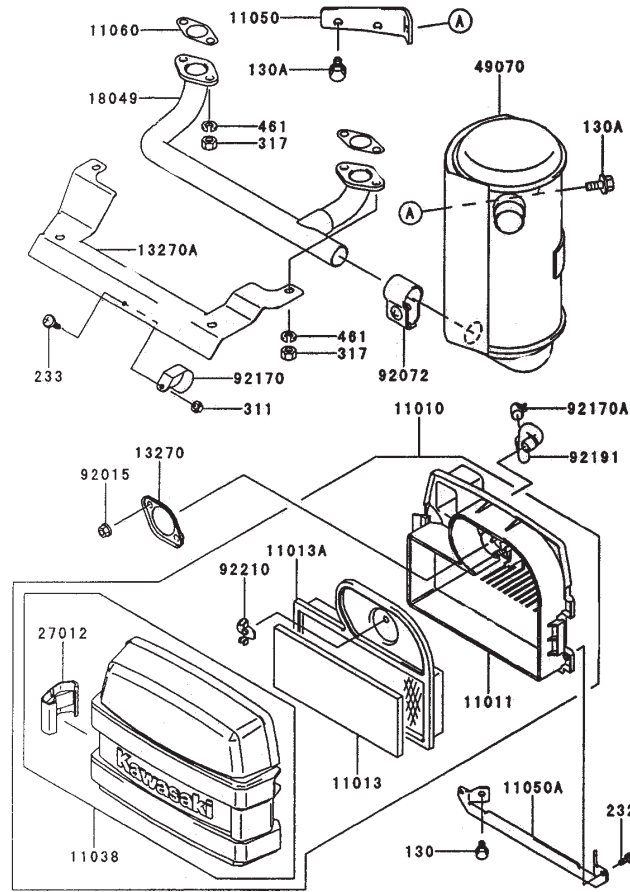
Ref. No.	Part No.	Qty.	Description

Carburetor Assembly Kawasaki FH500V-AS25



Carburetor Assembly Kawasaki FH500V-AS25

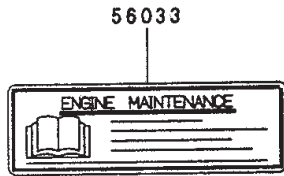
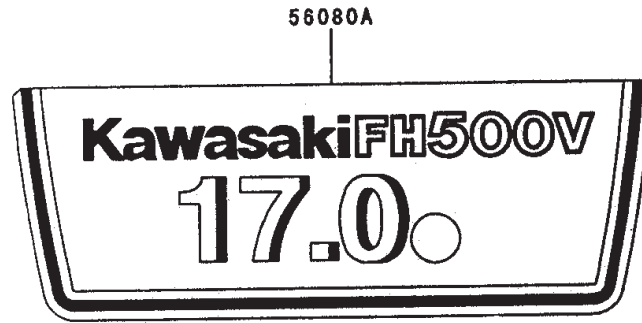
Ref. No.	Part No.	Qty.	Description	Ref. No.	Part No.	Qty.	Description
11003	11003-2105	1	Seat-Valve				
11060	11060-2406	1	Gasket				
11060A	11060-7003	2	Gasket, Insulator				
11060B	11060-7004	1	Gasket, Air Filter				
11060C	11060-7005	2	Gasket				
11065	11065-2061	1	Cap				
15003	15003-2698	1	Carburetor-Assy				
16014	16014-2080	1	Screw-Pilot Air				
16020	16020-2141	1	Chamber-Float				
16021	16021-2060	1	Screw-Throttlestop				
16025	16025-2193	1	Valve-Throttle, #130				
16030	16030-2067	1	Valve-Float				
16031	16031-2066	1	Float				
16035	16035-2060	1	Jet-Air, #1.7				
16035A	16035-2061	1	Jet-Air, #1.2				
16041	16041-2252	1	Shaft-Carburetor, Choke				
16041A	16041-2253	1	Shaft-Carburetor Throttle				
16073	16073-7001	1	Insulator				
16126	16126-2219	1	Valve				
39076	39076-2053	1	Limiter				
43058	43058-3716	1	Ring				
49121	49121-2222	1	Nozzle-Main				
59076	59076-7001	1	Manifold-Intake				
92009	92009-2015	1	Screw				
92009A	92009-2024	2	Screw				
92009B	92009-2081	1	Screw				
92022	92022-2231	1	Washer				
92022A	92022-2239	1	Washer				
92027	92027-2025	1	Collar				
92033	92033-2067	1	Ring-Snap				
92043	92043-2226	1	Pin				
92063	92063-2358	1	Jet-Main				
92064	92064-2125	1	Jet-Pilot				
92081	92081-2009	2	Spring				
92081A	92081-2256	1	Spring				
92093	92093-2002	1	Seal				
92145	92145-2061	1	Spring				
92151	92151-2092	1	Bolt				
92191	92191-7008	1	Tube				
130	130B0635	4	Bolt-Flanged				
172	172G0685	2	Bolt-Stud				
482	482L4000	1	Circlip-Type-E				



Air-Filter/Muffler Assembly Kawasaki FH500V-AS25

Ref. No.	Part No.	Qty.	Description
11010	11010-7001	1	Filter-Assy-Air
11011	11011-7001	1	Case-Air Filter
11013	11013-7001	1	Element-Air Filter
11013A	11013-7002	1	Element-Air Filter
11038	11038-7001	1	Case-Assy-Air Filter
11050	11050-7004	1	Bracket
11050A	11050-7006	1	Bracket
11060	11060-7006	2	Gasket, Muffler
13270	13270-7001	1	Plate
13270A	13270-7008	1	Plate
18049	18049-7001	1	Pipe-Exhaust
27012	27012-7001	2	Hook, Air Filter
49070	49070-7002	1	Muffler-Comp
92072	92072-7002	1	Band
92015	92015-1193	2	Nut
92170	92170-7002	1	Clamp
92170A	92170-7003	1	Clamp
92191	92191-7001	1	Tube
92210	92210-7004	1	Nut
130	130B0612	2	Bolt-Flanged
130A	130B0816	2	Bolt-Flanged
232	232B0514	2	Screw-Pan-WS
233	233B0416	1	Screw-Pan WP
311	311B0400	1	Nut-Hex
317	317R0800	4	Nut-Hex-Small

Ref. No.	Part No.	Qty.	Description
461	461F0800	4	Washer-Spring



Starter/Decals Kawasaki FH500V-AS25

Ref. No.	Part No.	Qty.	Description
56033	56033-7001	1	Label-Manual
56080	56080-2077	1	Label-Brand
56080A	56080-7001	1	Label-Brand

Ref. No.	Part No.	Qty.	Description

Electrical Schematic

CABLE/WIRE LIST INFORMATION FOR DIAGRAM

104-8137-

Name	SPOOL	NAME	COLOR	Component	Pin	TERMINAL			TERMINAL				
						MFG	PARTNUM	SEAL	MFG	PARTNUM	SEAL		
W1		GPT16PK	PINK	P3	2	PACKARD	12089950	-	P6	4	PACKARD	02965891	-
W4		GPT16BK	BLACK	P1	1	PACKARD	12041129	-	P4	2	PACKARD	02965467	-
W5		GPT18BK	BLACK	P4	2	PACKARD	02965467	-	P5	4	PACKARD	02965510	-
W6		GPT16GN	GREEN	P5	3	PACKARD	02965867	-	P1	2	PACKARD	02971962	-
W8		GPT16PK	PINK	P6	4	PACKARD	02965891	-	P5	2	PACKARD	02965867	-
W10		GPT18BN	BROWN	J4	1	PACKARD	02965141	-	J5	1	ESSEX	541617-82	-
W11		GPT18OR	ORANGE	P5	1	PACKARD	02977112	-	J3	1	PACKARD	02965141	-
W12		GPT18OR	ORANGE	P5	1	PACKARD	02977112	-	P6	1	PACKARD	02965510	-
W13		GPT16BK	BLACK	P1	1	PACKARD	12041129	-	J1	1	ESSEX	101634-C02	-
W14		GPT16PK	PINK	P3	1	PACKARD	12089950	-	J8	1	AMP	3-520106-2	-
W15		GPT16W	WHITE	J7	1	ESSEX	521616-A02	-	P4	1	PACKARD	02965462	-
W16		GPT18BK	BLACK	P5	4	PACKARD	02965510	-	J2	1	ESSEX	521618-B2	-

