



Groundsmaster[®] 120

Model No. 30612—220000001 and Up

Parts Catalog

Ordering Replacement Parts

To order replacement parts, please supply: the part number, the quantity, and the description of each part desired.

Understanding Reference Numbers

Each identified part in an illustration has a reference number. The reference number for a part also appears in the parts list, along with other information about the part.

This catalog uses two special reference number formats, one to indicate parts in a service assembly and another to indicate the quantity of a given part in an illustration.

Service Assembly Reference Numbers

Parts in service assemblies have reference numbers in the form **a:b**. The **a** represents the reference number of the entire service assembly and the **b** represents a sequential number unique to each part within the service assembly.

For example, a wheel assembly might be identified by reference number **6**, the tire by **6:1**, the valve by **6:2**, and the wheel by **6:3**. When you order the assembly identified by reference number **6**, you receive all parts identified by reference numbers **6:1**, **6:2**, and **6:3**. However, you may also order any part individually.

Reference numbers of this type appear in illustrations and in part lists.

Reference Numbers Indicating Quantity

In an illustration, if a reference number indicates more than one part, the reference number has the form **nX y**. The **n** represents the quantity of the part, the **X** is the multiplication symbol, and the **y** represents the reference number.

For example, in an illustration, the reference number **2X 37** means that two of the parts identified by reference number **37** are indicated.

Contents

Description	Page	Description	Page
Frame and Steering Assembly	4	Crankshaft Assembly	
Frame and Steering Assembly (Continued) ...	5	Kohler Engine CH20QS–64678	24
Rear Axle Assembly	6	Crankcase Assembly	
Front Wheel Assembly	7	Kohler Engine CH20QS–64678	25
Frame and Jackshaft Assembly	8	Oil Pan/Lubrication Assembly	
Frame and Jackshaft Assembly (Continued) ..	9	Kohler Engine CH20QS–64678	26
Seat Support Assembly	10	Head/Valve/Breather Assembly	
Seat Assembly	11	Kohler Engine CH20QS–64678	27
Valve Assembly No. 54–0090	12	Ignition/Electrical Assembly	
Parking Brake and Lift Frame Assembly	13	Kohler Engine CH20QS–64678	28
Hydraulic Lift Cylinder Assembly 54–0150	14	Blower Housing and Baffles Assembly	
Hood, Fuel Tank and Hydraulic Reservoir		Kohler Engine CH20QS–64678	29
Assembly	15	Starting System	
Engine Assembly	16	Kohler Engine CH20QS–64678	30
Clutch Assembly No. 54–0220	17	Fuel System Assembly	
Electrical Schematic	18	Kohler Engine CH20QS–64678	31
Hydraulic Schematic	19	Engine Controls Assembly	
Differential Assembly	20	Kohler Engine CH20QS–64678	32
Transmission Assembly	21	Air Intake/Filtration Assembly	
Hydrostatic Transmission Assembly	22	Kohler Engine CH20QS–64678	33
Hydrostatic Transmission Assembly (Continued)	23	Exhaust Assembly	
		Kohler Engine CH20QS–64678	34

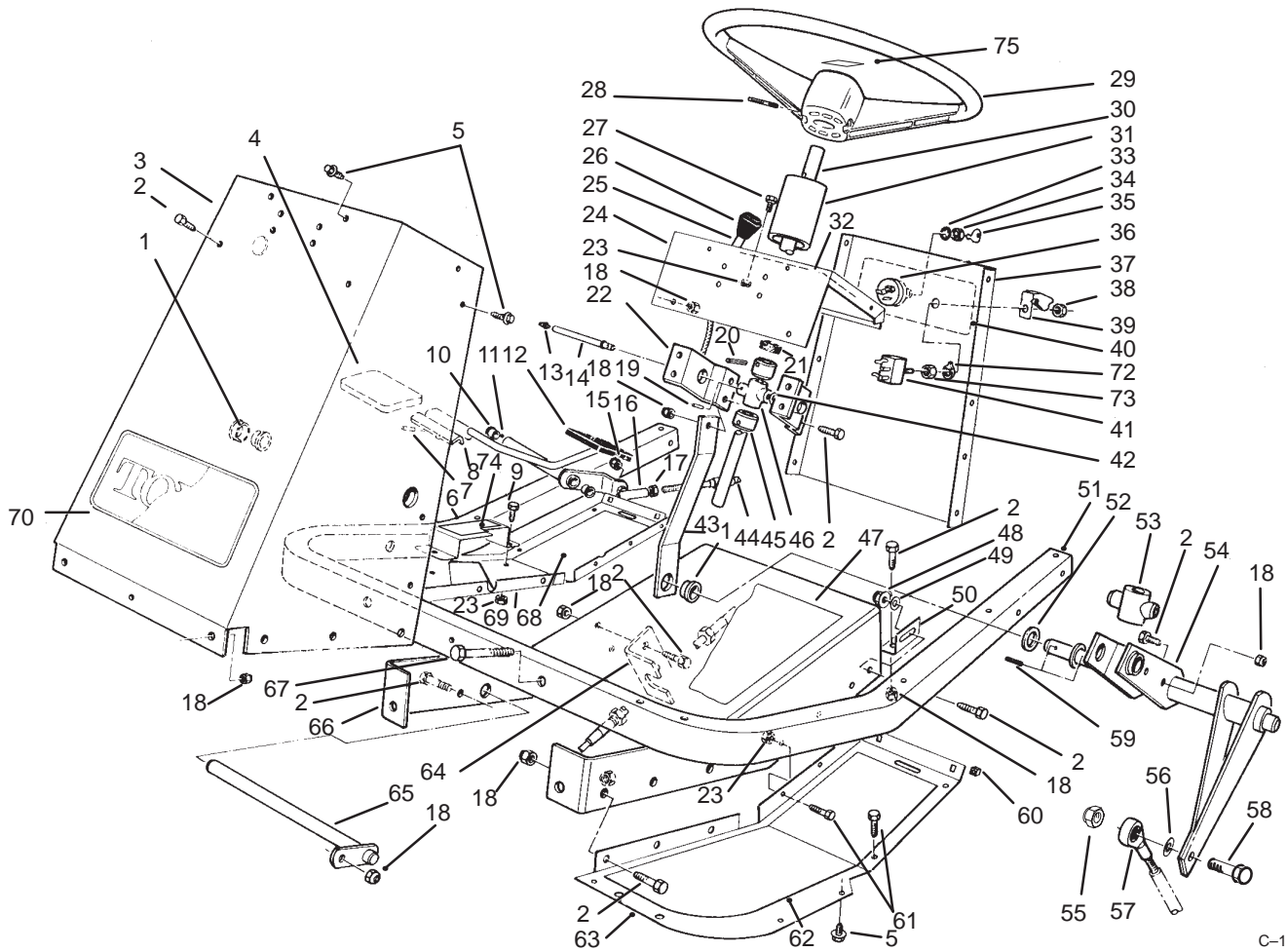
Accessories

Description	Model / Part No.	Description	Model / Part No.
Flotation Kit	57–3190	52" Side Discharge Deck	30753
44" Deck Baffle Kit	60–9030	44" Grass Collection System	30751
52" Deck Baffle Kit	68–7210	52" Grass Collection System	30576
44" Leaf Mulcher Deck	30752	44" Recycler Kit	99–4582
52" Leaf Mulcher Deck	30700	52" Recycler Kit	99–4586
Wheel Weight Kit	56–6620	Armrest Kit	92–1186
44" Snowthrower	30761	Tire Chain Kit	56–6630
44" Side Discharge Deck	30544	Rear Weight	24–5790
44/52" Striping Kit	99–4590	European Complacence Parts Kit	93–9450

Part Description Abbreviations

Part descriptions in this catalog may include the following abbreviations.

Abbreviation	Meaning	Abbreviation	Meaning
AR	as required	HYD	hydraulic
ASM	assembly	INC	incorporated
CARR	carriage	LH	left hand
DEG	degrees	NI	nylon insert
FH	flat head	PPH	Phillips pan head
GA	gauge	PTH	Phillips truss head
HF	hex flange	PTO	power take off
HH	hex head	RH	right hand
HHF	hex head flange	SFH	slotted fillister head
HLH	hex lag head	SHH	slotted hex head
HJ	hex jam	SQH	square head
HOC	height-of-cut	SHWH	slotted hex washer head
HS	hex socket	SPH	slotted pan head
HSBH	hex socket button head	SRH	slotted round head
HSFH	hex socket flat head	STD	standard
HSH	hex socket head	TAP	self tapping
HWH	hex washer head	TTH	Torx truss head
HWHTF	hex washer head thread forming	WH	wing head

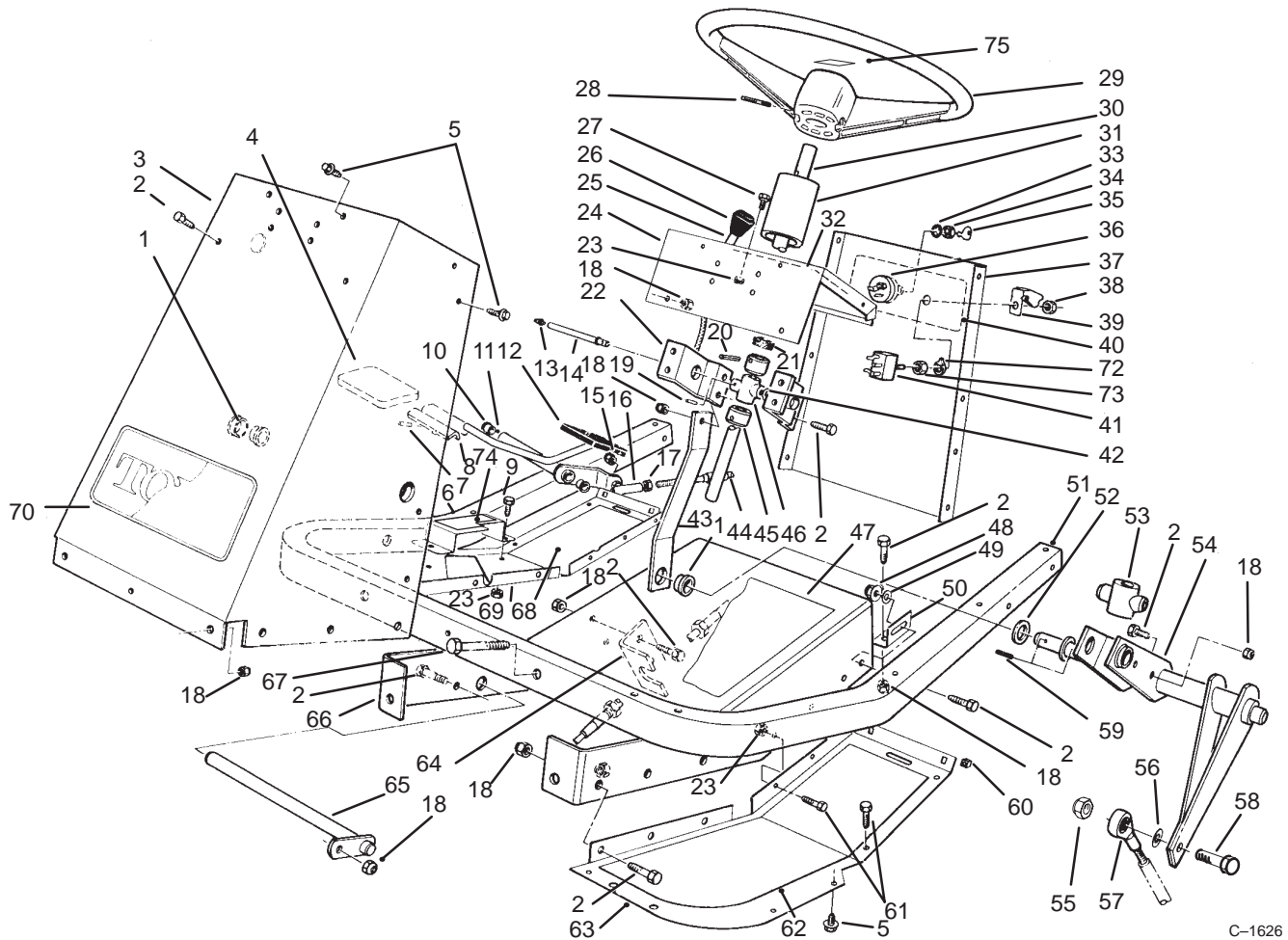


C-1626

Frame and Steering Assembly

Ref. No.	Part No.	Qty.	Description
1	27-9080	3	Bushing
2	322-4	19	Screw-HH
3	54-1900	1	Tower-Front
4	49-6470	1	Pad-Accelerator
5	46-8560	21	Screw-HH
6	80-4930	1	Footrest-Pedal
7	32121-51	1	Pin-Roll
8	80-4920	1	Pedal-Accelerator
9	321-3	2	Screw-HH
10	256-156	2	Bushing
11	74-0110	1	Pedal-Traction (Incl. Ref. #10)
12	49-6430	1	Pad-Reverse
13	302-22	1	Fitting-Grease
14	59-1610	1	Tube-Fitting, Grease
15	3296-3	1	Nut-Hex
16	2411-34	1	Ball Joint
17	3220-1	1	Nut-Jam
18	3296-29	24	Nut-Lock
19	32121-20	1	Pin-Roll
20	32121-31	2	Pin-Roll
21	21-9260	1	Cover-Dust
22	54-1950	2	Bracket-Support Bearing
23	3296-42	16	Nut-Lock
24	54-1000	1	Tower-Top

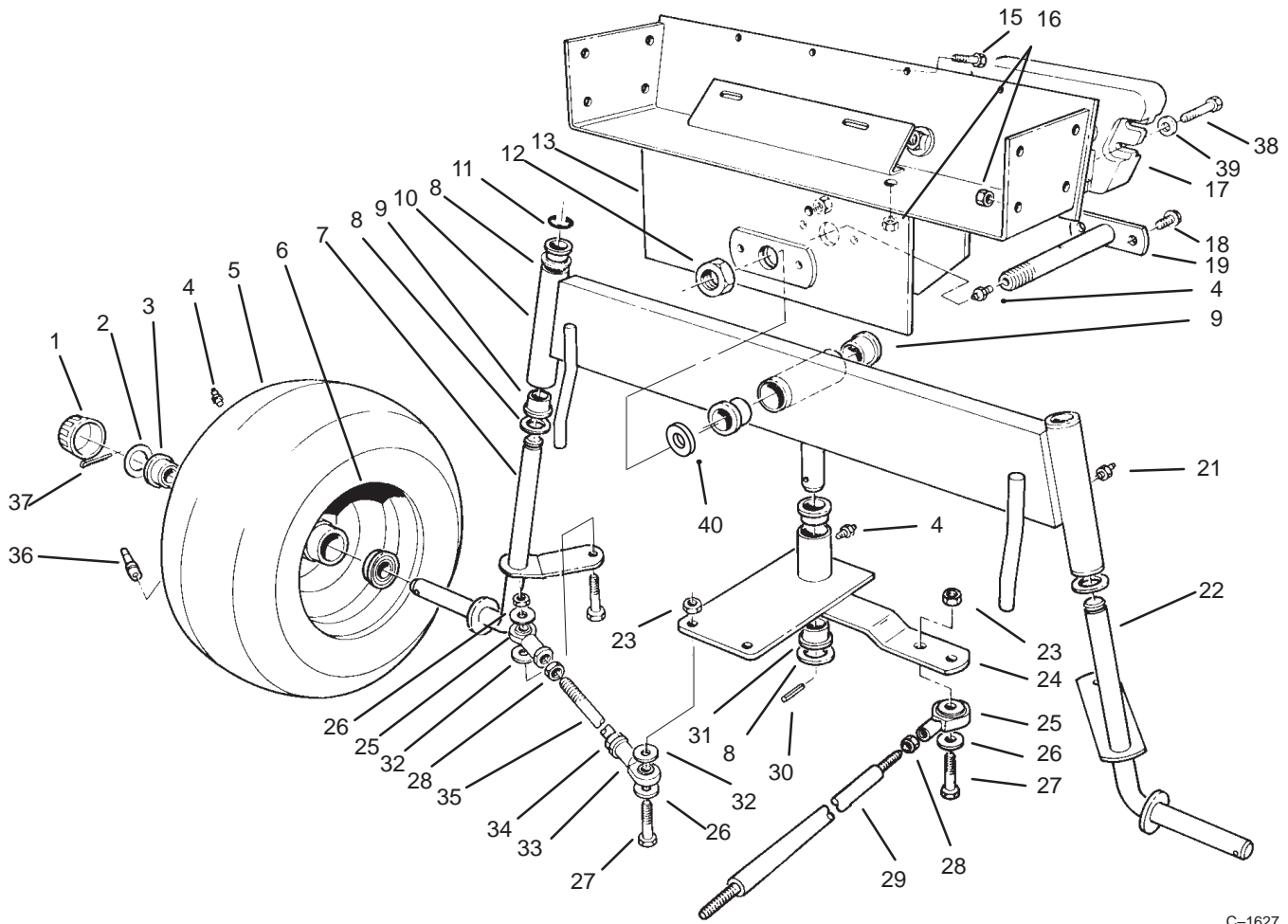
Ref. No.	Part No.	Qty.	Description
25	54-1451	2	Control-Throttle, Choke
26	66-0120	2	Knob
27	321-2	4	Screw-HH
28	32121-10	1	Pin-Roll
29	98-1467	1	Wheel-Steering
30	54-1420	1	Shaft-Steering
31	47-1980	1	Cover-Shaft, Steering
32	92-6278	1	Decal-Throttle, Choke
33	3254-5	1	Washer-Lock
34	218-461	1	Nut-Lock
35	63-8360	2	Key
36	88-9830	1	Switch-Ignition (Incl. Ref. #33-35)
37	92-6266	1	Panel-Tower, Rear
38	113179	1	Nut
39	113050	1	Cover-Switch, PTO
40	92-6277	1	Decal-Switch
41	116716	1	Switch-Clutch & Brake (Incl. Ref. # 38, 72 & 73)
42	3290-440	1	Washer-Belleville
43	54-1340	1	Link-Steering



C-1626

Frame and Steering Assembly (Continued)

Ref. No.	Part No.	Qty.	Description	Ref. No.	Part No.	Qty.	Description
44	54-2640	1	Cable—Control, Traction	66	60-9150	1	Tunnel
45	28-3940	2	Collar—Shaft, Steering	67	322-10	2	Screw—HH
46	60-9050	1	Bearing—Shaft, Steering	68	54-2270	1	Pad—Footrest, RH
47	54-0880	1	Decal—Tunnel	69	80-4910	1	Footrest—RH
48	32128-20	1	Nut—Lock, Flange	70	62-7400	1	Decal—Toro
49	3256-23	4	Washer—Flat	72	102950	1	Washer
50	54-1440	2	Bracket—Tunnel	73	105805	1	Nut
51	60-9140	1	Frame—Footrest	74	82-4720	1	Pad—Footrest
52	3-6498	2	Washer—Thrust	75	98-1459	1	Decal—Toro
53	54-2630	1	Follower—Shaft, Steering				
54	54-2040	1	Lever—Follower				
55	3296-48	1	Nut—Lock				
56	3256-4	1	Washer—Flat				
57	251-304	1	End—Rod				
58	324-6	1	Screw—HH				
59	32121-77	2	Roll—Pin				
60	32115-5	4	Nut—Square				
61	321-4	9	Screw—HH				
62	54-2260	1	Pad—Footrest, LH				
63	54-1470	1	Footrest—LH				
64	54-1770	1	Bracket—Cable, Traction				
65	59-1550	1	Pedal—Shaft				

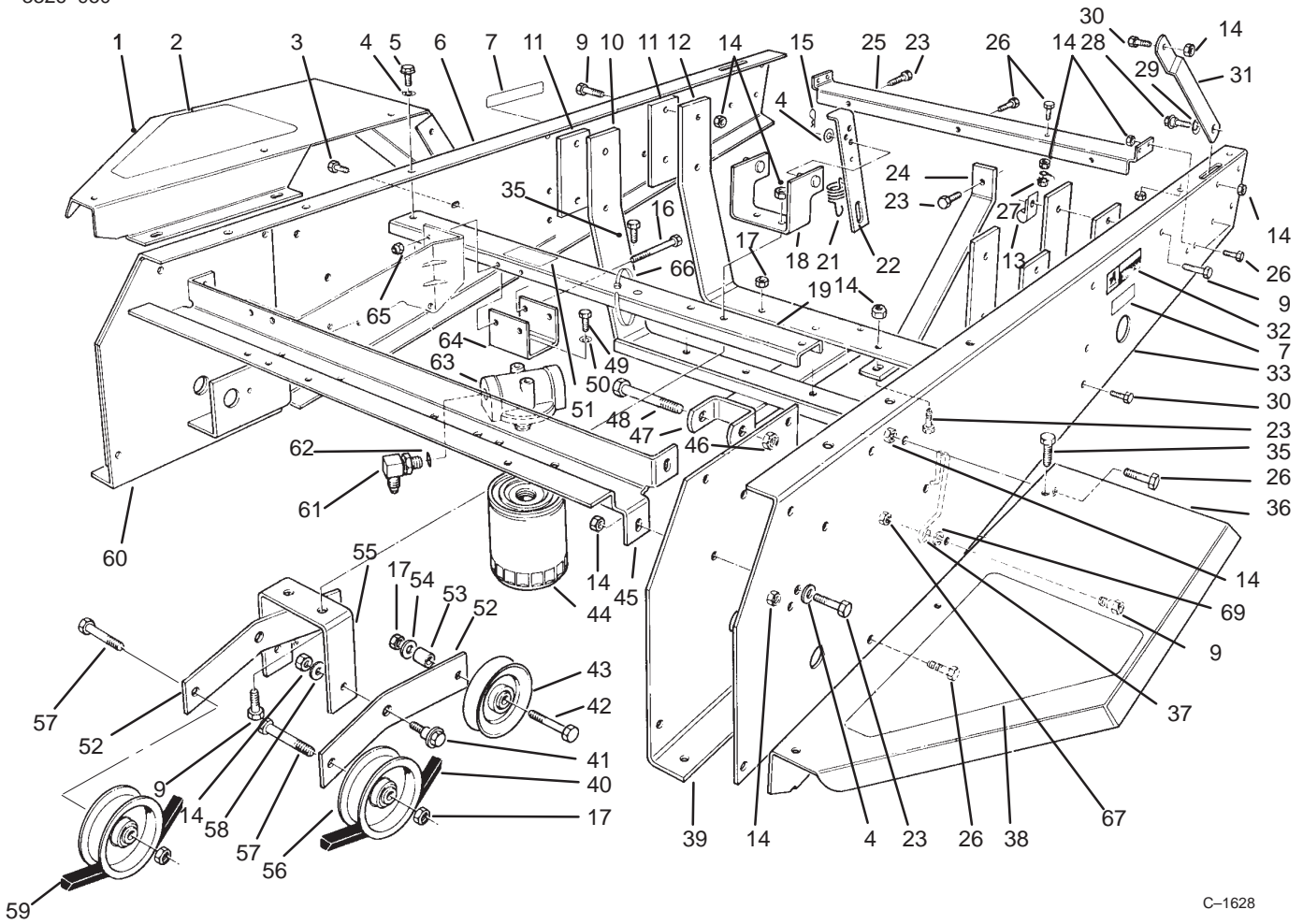


C-1627

Rear Axle Assembly

Ref. No.	Part No.	Qty.	Description
1	61-9780	2	Cap-Hub
2	28-2480	2	Washer-Flat
3	251-210	4	Bearing-Ball
4	302-5	4	Fitting-Grease
5	231-126	2	Tire
6	242-60	2	Rim
7	54-0570	1	Spindle-RH
8	3-6498	5	Washer-Thrust
9	46-6680	6	Bushing
10	92-6255	1	Axle-Rear (Incl. Ref. #9 & 21)
11	32151-48	2	Ring-Retaining
12	3296-41	1	Nut-Hex
13	54-0330	1	Frame-Rear
15	321-4	4	Screw
16	3296-29	8	Nut
17	24-5790	1	Weight-Rear
18	32144-15	2	Screw
19	59-1500	1	Pivot-Axle
21	302-49	3	Fitting-Grease
22	54-0560	1	Spindle-LH
23	3296-48	5	Nut
24	92-6257	1	Plate-Pivot (Incl. Ref. #4 & 31)
25	251-305	3	End-Rod
26	3256-4	6	Washer-Flat

Ref. No.	Part No.	Qty.	Description
27	324-7	5	Screw
28	3220-4	3	Nut-Jam
29	54-1491	1	Rod-Steering, Rear
30	32121-51	1	Pin-Roll
31	27-9080	2	Bushing
32	62-4420	81	Spacer
33	251-304	2	End-Rod
34	3220-19	2	Nut-Jam
35	57-3100	2	Tie Rod-Steering
36	232-27	2	Valve Stem w/Cap
37	3272-12	2	Pin-Cotter
38	325-6	2	Screw
39	3253-7	2	Washer
40	3256-9	1	Washer

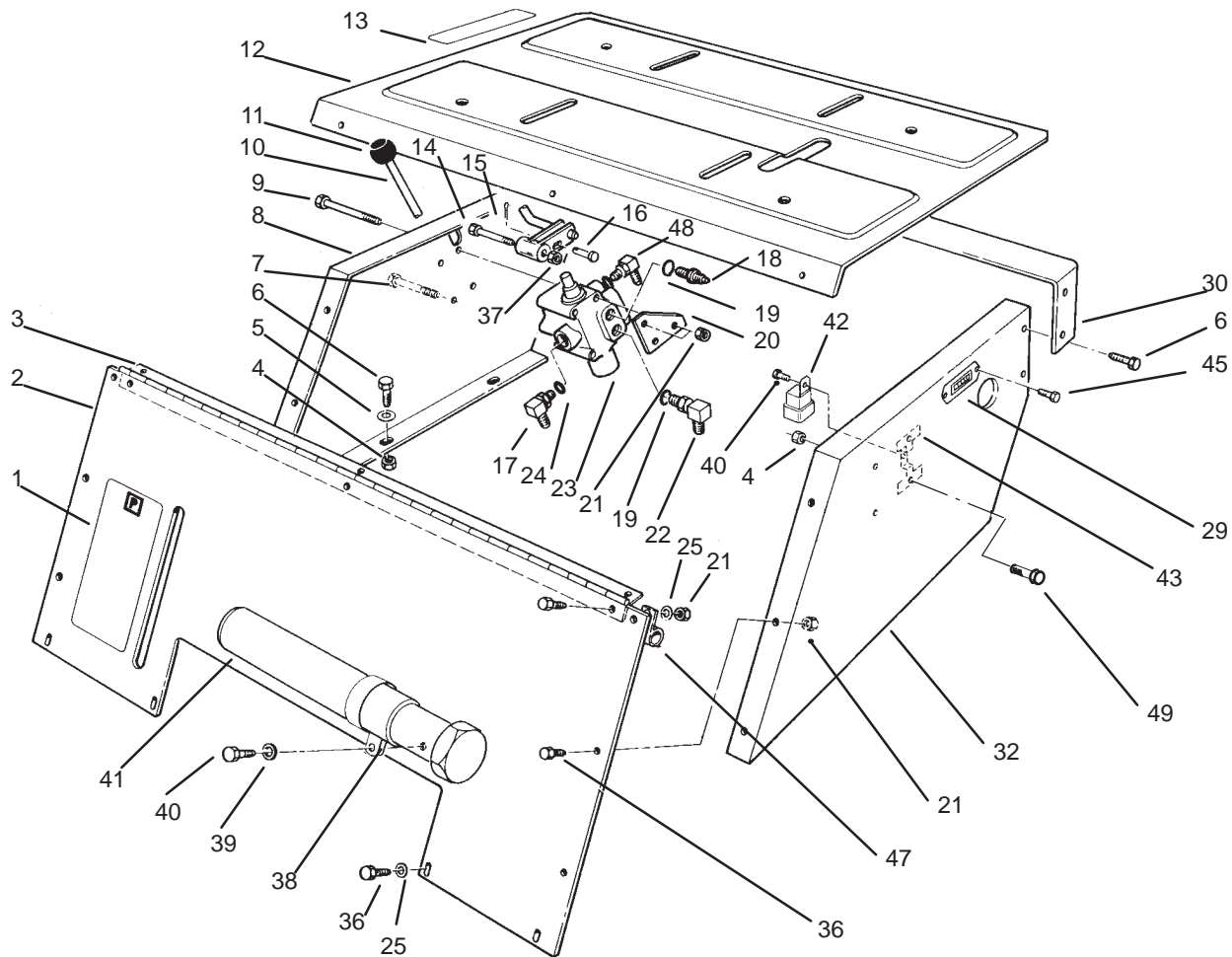


C-1628

Frame and Jackshaft Assembly

Ref. No.	Part No.	Qty.	Description
1	54-1930	1	Fender-RH
2	92-6292	1	Pad-Fender, RH
3	3234-14	4	Screw
4	3256-23	8	Washer-Flat
5	32144-11	2	Screw-HWHTF
6	54-1910	1	Channel-Side, RH
7	77-3100	2	Decal-Caution
9	322-6	18	Screw
10	92-6250	1	Mount-Engine
11	54-1810	4	Plate-Engine, Rear
12	92-6251	1	Mount-Engine
13	2412-100	2	J-Clamp
14	3296-29	33	Nut
15	3290-250	2	Pin-Cotter
16	321-14	2	Screw
17	3296-44	4	Nut
18	54-2070	1	Anchor-Spring
19	98-0794	1	Channel-Middle
20	323-7	3	Screw
21	54-1410	1	Spring-Idler
22	54-1130	2	Link-Idler Anchor
24	92-6254	1	Bar-Tension
25	54-1830	1	Support-Shield
26	322-4	13	Screw
27	32149-1	1	Nut-Lock
28	27-0410	2	Bolt-Shoulder

Ref. No.	Part No.	Qty.	Description
29	3290-211	2	Washer-Spring
30	322-3	2	Screw
31	54-1870	2	Stop-Hood, Lower
32	54-0910	1	Decal-Warning
33	54-1920	1	Channel-Side, LH
35	46-8560	7	Screw
36	54-1940	1	Fender-LH
37	55-4860	1	Guide-Belt
38	92-6293	1	Pad-Fender, LH
39	54-0460	1	Stand-Axle, LH
40	54-1380	1	V-Belt
41	19-1470	2	Bolt-Shoulder
42	323-11	2	Screw
43	62-4530	2	Idler
44	54-0110	1	Filter-Oil, Transmission
45	54-1010	1	Channel-Front
46	3296-61	1	Nut
47	92-6252	1	Mount-Cylinder
48	327-24	1	Screw
49	321-3	2	Screw
50	3253-3	2	Washer-Lock
51	53-4430	1	Decal-Oil
52	98-0795	2	Lever-Idler
53	37-7250	2	Spacer

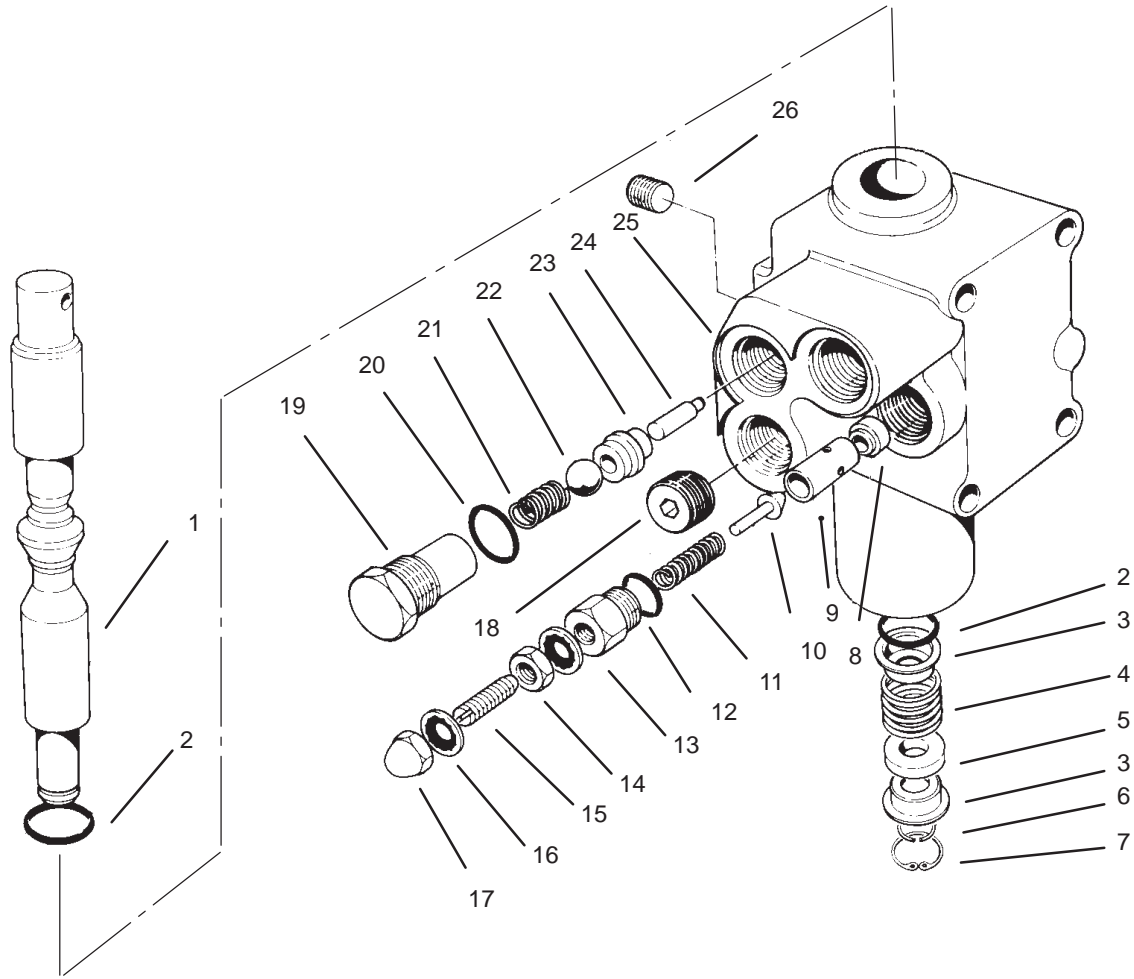


C-2817

Seat Support Assembly

Ref. No.	Part No.	Qty.	Description
1	54-0920	2	Decal-Brake, Parking
2	80-3760	1	Support-Seat, Front
3	54-1310	1	Hinge-Seat
4	3296-29	12	Nut
5	3256-23	6	Washer-Flat
6	322-4	10	Screw
7	321-14	2	Screw
8	54-1220	1	Support-Seat, RH
9	321-23	2	Screw
10	82-4680	1	Lever-Valve
11	233-37	1	Knob
12	92-6281	1	Plate-Seat
13	54-0900	1	Decal-Lift Control
14	56-6590	1	Screw
15	3272-6	1	Pin-Cotter
16	283-17	1	Pin-Clevis
17	353-511	1	Fitting
18	353-545	1	Fitting
19	237-78	2	O-Ring
20	82-4700	1	Bracket-Lever, Valve

Ref. No.	Part No.	Qty.	Description
21	3296-42	19	Nut-Lock
22	353-375	1	Fitting-90°
23	54-0090	1	Valve Assembly
24	237-42	2	O-Ring
25	3256-1	11	Washer-Flat
29	75-6820	1	Meter-Hour
30	54-1550	1	Support-Hood
32	92-5435	1	Support-Seat, LH
36	321-4	14	Screw
37	3296-39	1	Nut
38	2412-120	2	R-Clamp
39	3256-51	2	Washer
40	32144-73	4	Screw
41	74-0720	1	Tube-Manual
42	63-7590	1	Relay
43	92-6259	1	Bracket
45	32144-18	2	Screw
47	2412-100	1	Clamp-Wire
48	340-98	1	Fitting
49	322-2	3	Screw-HH



T-0075

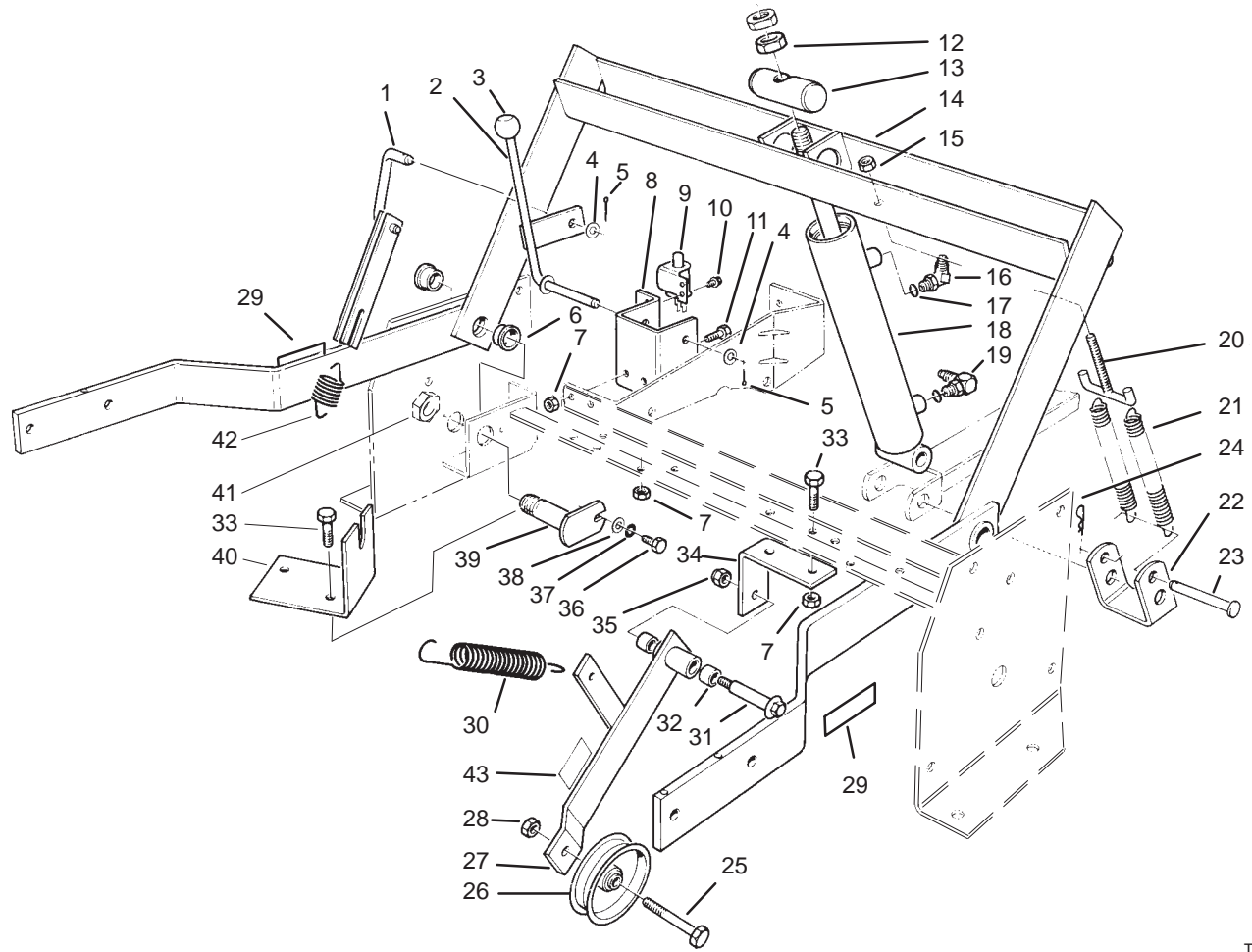
Valve Assembly No. 54-0090

Ref. No.	Part No.	Qty.	Description
1	54-0260	1	Spool
2	22-8500	2	O-Ring
3	22-8380	2	Retainer-Spring
4	22-8410	1	Spring
5	27-5200	1	Spacer
6	22-8480	1	Ring-Retaining
7	22-8490	1	Ring-Retaining
8	55-3640	1	Seat-Relief
☆9		1	Guide
☆10		1	Plunger
☆11		1	Spring
☆12		1	O-Ring
☆13		1	Cap-PV Adjustment
☆14		1	Nut
☆15		1	Screw-Set
☆16		1	Stat O Seal
☆17		1	Nut - Acorn
18	28-1120	1	Plug
19	22-8330	1	Plug
20	237-42	2	"O"Ring
21	22-8340	1	Spring
22	22-8350	1	Ball
23	22-8370	1	Seat - Check Valve
24	22-8360	1	Pin - Cam
☆25		1	Body
26	55-3650	1	Plug

Ref. No.	Part No.	Qty.	Description
*	55-3630	1	Adjustable Relief Valve (Incl. Ref. #9-17)

* Not illustrated

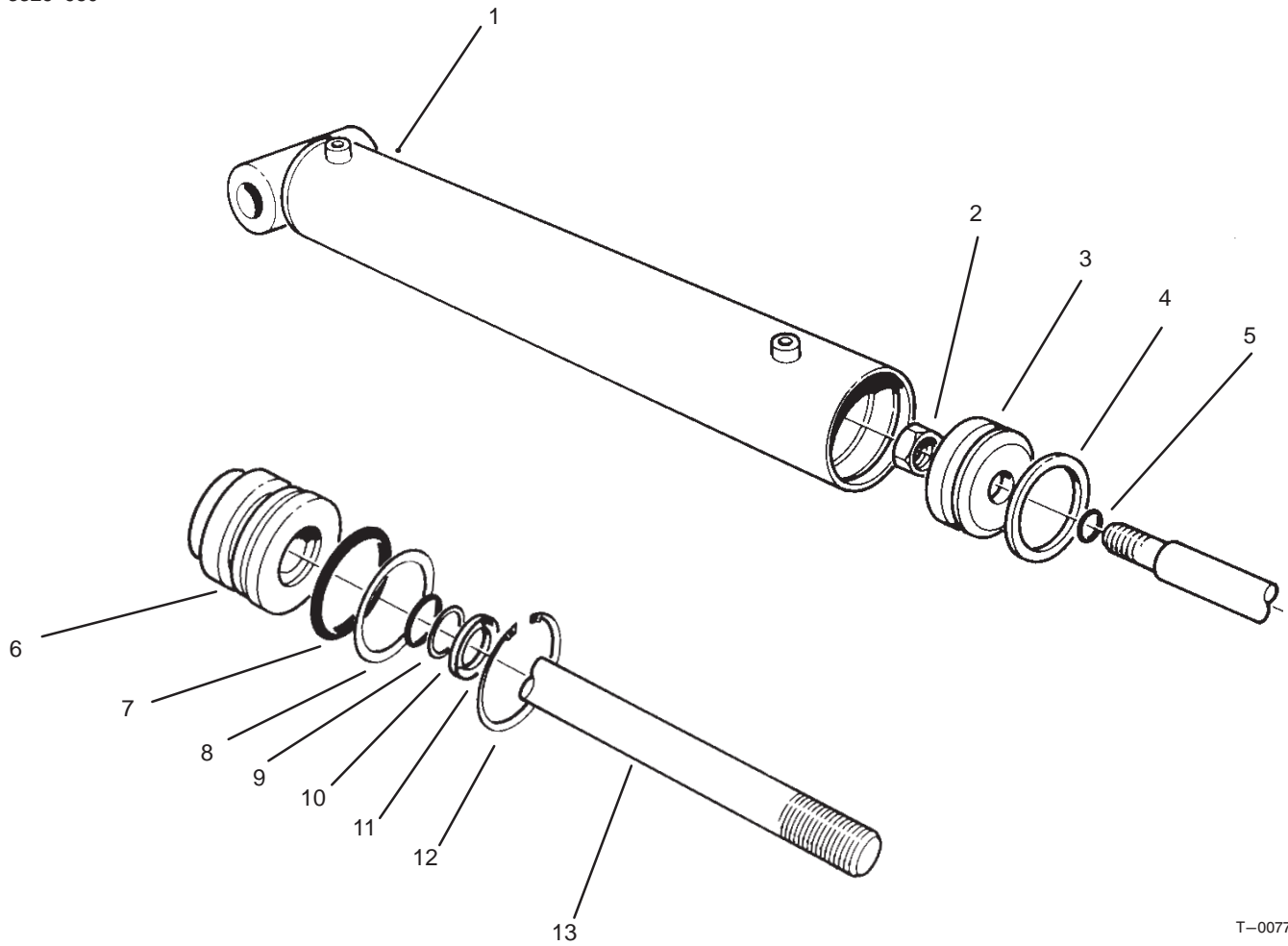
☆ Not serviced separately



T-0076

Parking Brake and Lift Frame Assembly

Ref. No.	Part No.	Qty.	Description	Ref. No.	Part No.	Qty.	Description
1	54-2120	1	Link-Parking Brake	25	323-10	1	Screw
2	54-2110	1	Lever-Brake	26	36-3220	1	Pulley-Idler
3	233-37	1	Knob	27	12-1109	1	Lever-Idler (Incl. Ref. #43)
4	3256-24	2	Washer-Flat	28	3296-44	1	Nut
5	3272-10	2	Pin-Cotter	29	61-3610	2	Decal-Warning
6	27-9080	4	Bushing	30	54-1170	1	Spring-Extension
7	3296-29	6	Nut	31	27-6230	1	Bolt-Shoulder
8	54-1270	1	Bracket-Parking Brake	32	256-154	2	Bushing
9	55-7120	1	Switch-Brake	33	322-4	4	Screw
10	32144-1	2	Screw-HWTF	34	55-7310	1	Bracket-Idler
11	322-6	2	Screw	35	3296-6	1	Nut
12	3220-6	2	Nut-Jam	36	321-2	2	Screw
13	54-2000	1	Pin-Pivot	37	3253-3	2	Washer
14	66-1570	1	Frame-Lift (Incl. Ref. #6)	38	3256-1	2	Washer
15	32153-3	2	Nut	39	54-2100	2	Pin-Pivot
16	353-431	1	Fitting-45°	40	56-6920	1	Bracket-Cable, Extension
17	237-78	2	O-Ring	41	3296-15	2	Nut
18	54-0150	1	Cylinder-Lift	42	54-0960	1	Spring-Parking Brake
19	353-375	1	Fitting-90°	43	55-4300	1	Decal
20	56-3320	1	T-Hook				
21	56-2760	2	Spring-Extension				
22	56-3370	2	Bracket-Spring				
23	283-55	1	Pin-Clevis				
24	3290-355	1	Pin-Cotter				



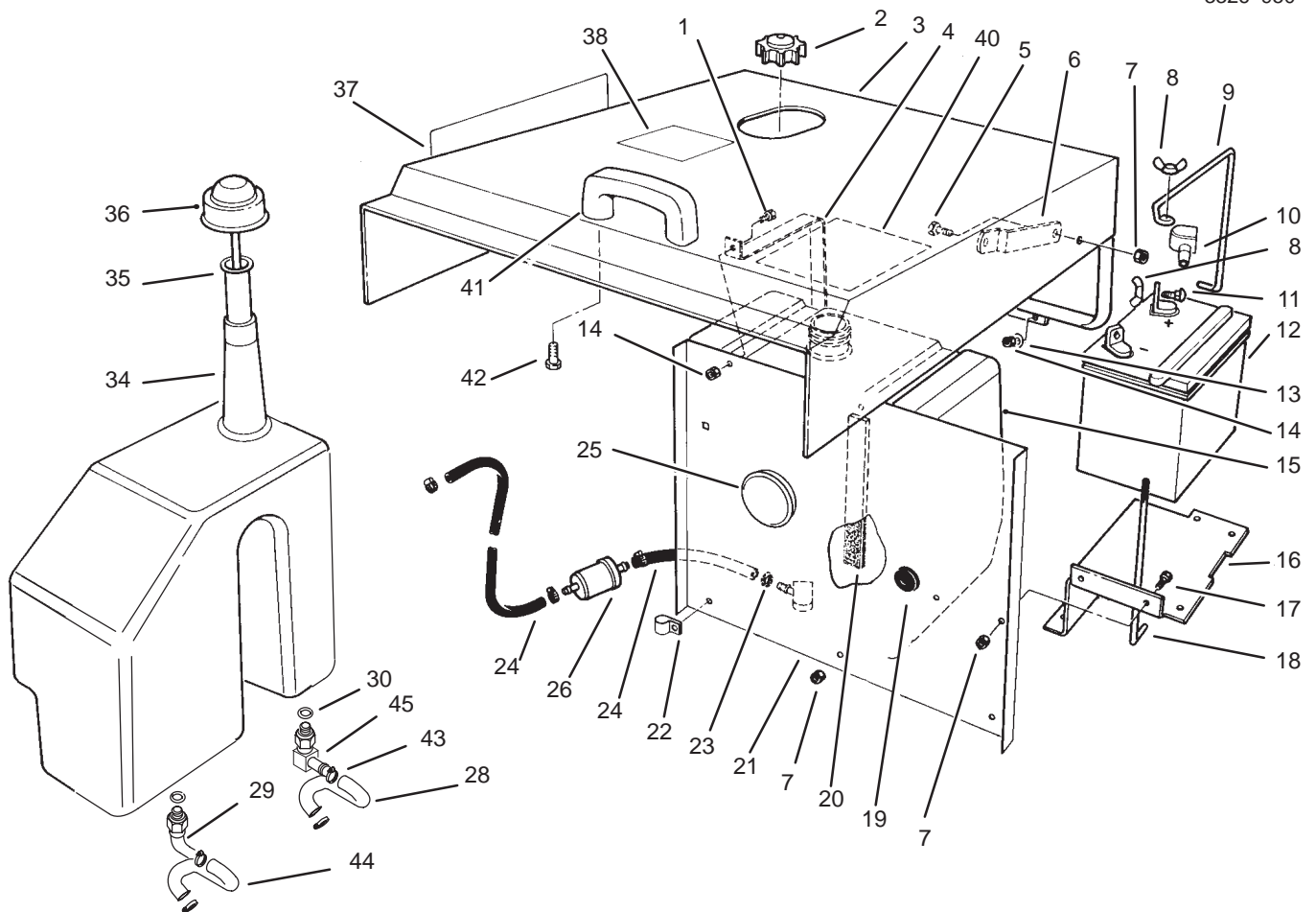
T-0077

Hydraulic Lift Cylinder Assembly 54-0150

Ref. No.	Part No.	Qty.	Description
☆1		1	Barrel
2	32152-10	1	Nut-Lock
3	54-0300	1	Piston
☆4		1	Uniring
☆5		1	O-Ring
6	54-0310	1	Head
☆7		1	O-Ring
☆8		1	Washer-Backup
☆9		1	O-Ring
☆10		1	Washer-Backup
☆11		1	Seal-Dust
12	43-5220	1	Ring-Retaining
13	54-0280	1	Shaft
*	54-0290	1	Seal Repair Kit (Incl. Ref. #4, 5 & 7-11)

Ref. No.	Part No.	Qty.	Description

* Not illustrated
 ☆ Not serviced separately

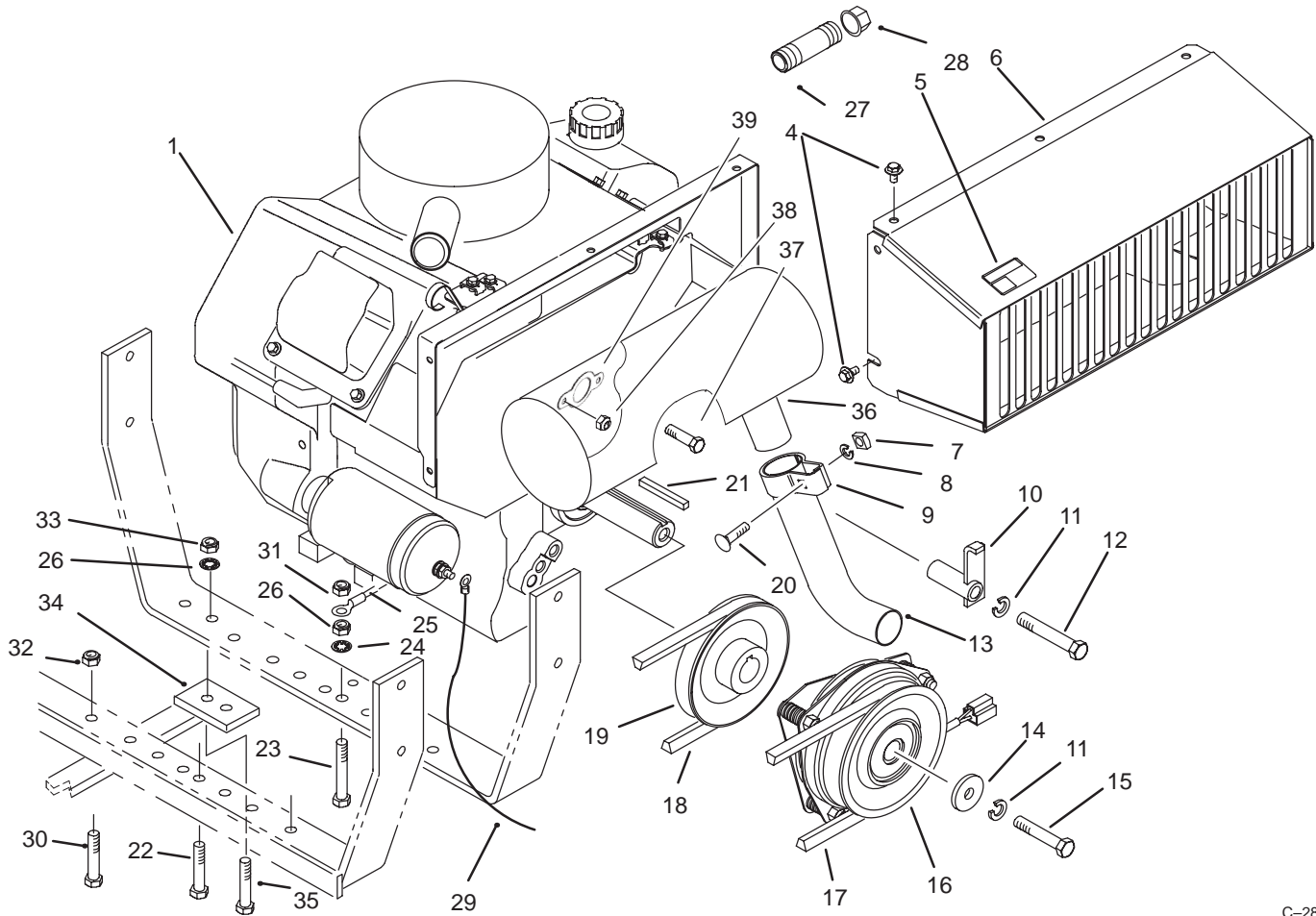


C-1630

Hood, Fuel Tank and Hydraulic Reservoir Assembly

Ref. No.	Part No.	Qty.	Description	Ref. No.	Part No.	Qty.	Description
1	321-3	2	Screw-HH	28	98-2853	1	Hose-Hydraulic
2	55-3570	1	Cap-Fuel	29	94-7691	1	Adapter-Hydraulic (Incl. Ref. #30)
3	14-4109	1	Hood	30	237-80	2	O-Ring
4	54-1880	2	Strap-Tank, Fuel	34	98-0781	1	Reservoir-Hydraulic
5	322-3	2	Screw-HH	35	29-0590	1	Screen
6	54-1860	2	Stop-Hood, Upper	36	36-4950	1	Cap-Oil
7	3296-29	9	Nut-Hex	37	94-5410	2	Decal- Groundsmaster 120
8	32103-22	3	Nut-Wing	38	92-6291	1	Decal-Refueling
9	54-1260	1	Clamp-Battery	40	92-6288	1	Decal-Service
10	77-0981	1	Boot-Terminal	41	65-5100	1	Handle
11	3229-1	2	Bolt-Carriage	42	46-8091	2	Screw
12	82-4640	1	Battery	43	2412-129	4	Clamp-Hose
13	3256-1	4	Washer	44	98-2852	1	Hose-Hydraulic
14	3296-42	8	Nut-Lock	45	98-2876	1	Adapter-Hydraulic (Incl. Ref. #30)
15	62-4040	1	Tank-Fuel	*	68-7330	1	Decal-Danger
16	54-1850	1	Support-Battery				
17	322-4	2	Screw-HH				
18	12-5950	1	Rod-Support, Battery				
19	237-100	1	Grommet				
20	54-1890	2	Foam-Tank				
21	92-6267	1	Shield-Heat				
22	2412-100	3	R-Clamp				
23	2412-108	4	Clamp-Hose				
24	92-6283	2	Hose-Fuel				
25	92-6274	1	Plug-Cap				
26	94-9695	1	Filter-Fuel				

* Not illustrated

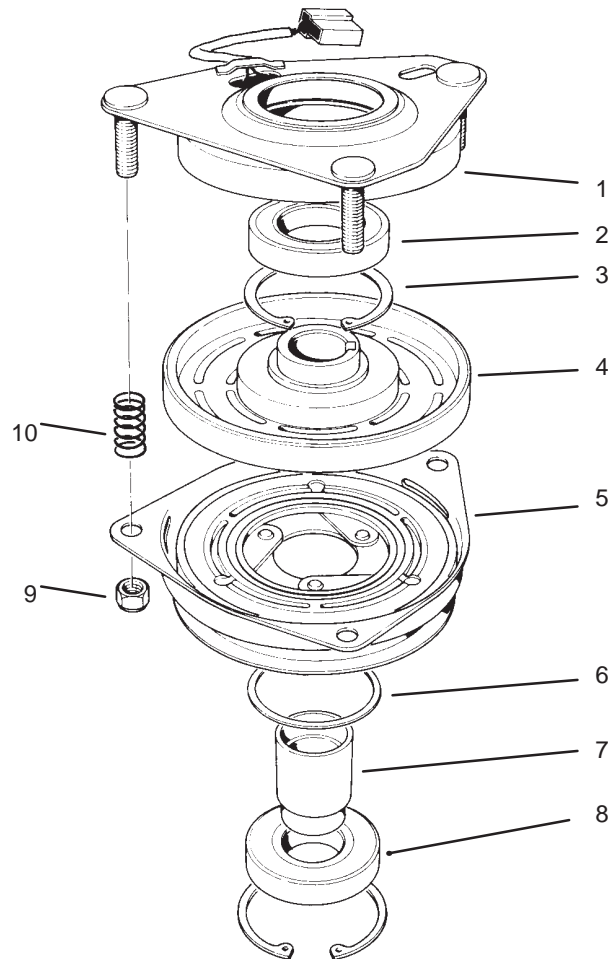


C-2818

Engine Assembly

Ref. No.	Part No.	Qty.	Description
1	105-3106	1	Engine-Kohler 20 HP Model CH20QS-64678
4	48-7610	5	Screw
5	63-8440	1	Decal-Surface, Hot
6	92-6260	1	Duct-Engine
7	3217-6	1	Nut-Square
8	3253-4	1	Washer-Lock
9	55-8660	1	Assembly-Clamp (Incl. Ref. #7, 8 & 20)
10	54-2160	1	Bracket-Anchor
11	3253-6	2	Washer-Lock
12	324-11	1	Screw-HH
13	54-2290	1	Pipe-Exhaust
14	44-8160	1	Washer-Flat
15	3212-24	1	Screw-HH
16	54-0220	1	Assembly-Clutch
17	54-1380	1	V-Belt
18	54-1390	1	V-Belt
19	54-2330	1	Pulley-Engine
20	3230-3	1	Bolt-Carriage
21	5-0930	1	Key
22	323-10	1	Screw-HH
23	323-12	1	Screw-HH
24	3254-6	1	Washer-Lock, Int
25	92-6287	1	Wire-Ground

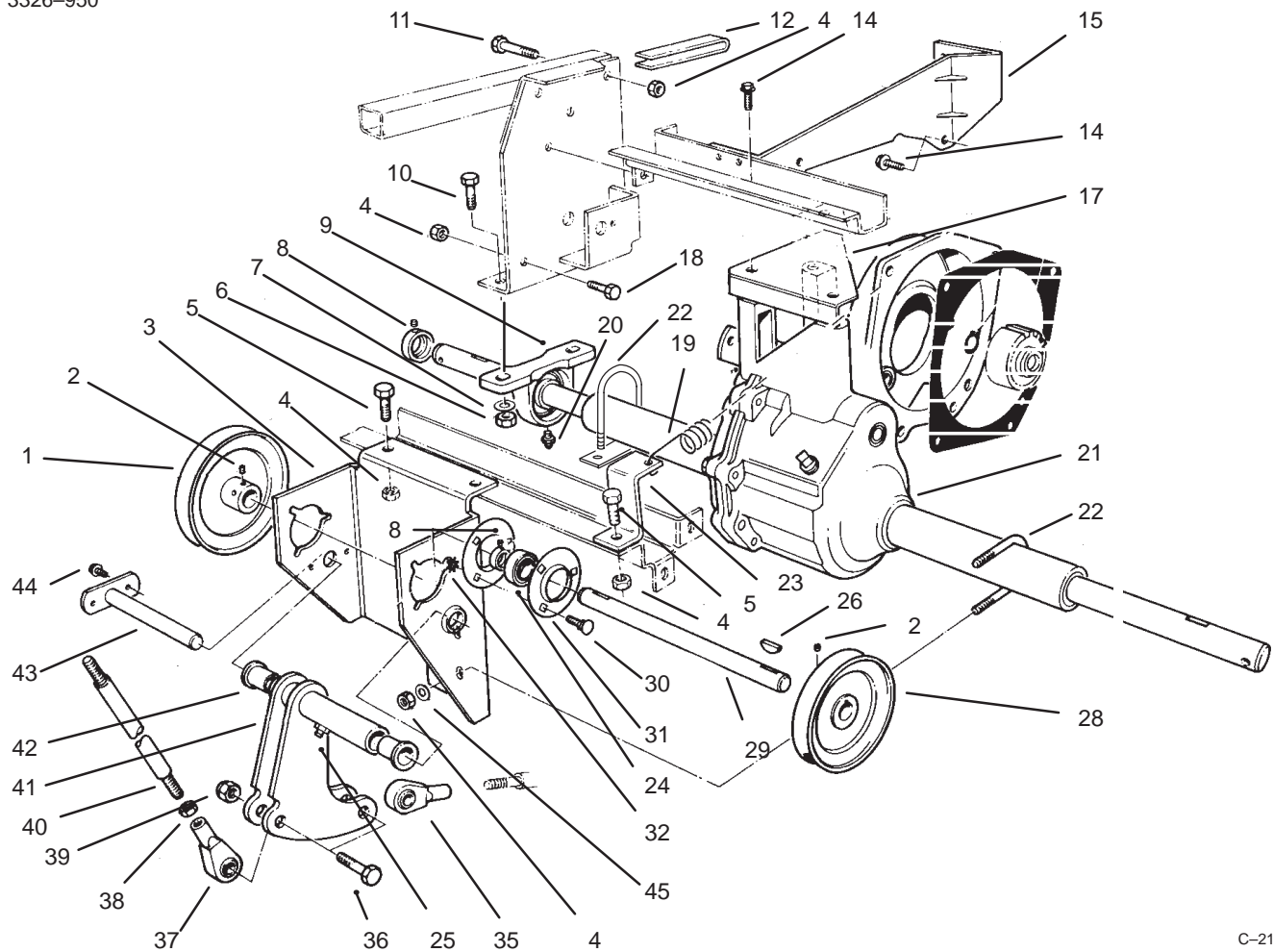
Ref. No.	Part No.	Qty.	Description
26	3296-39	2	Nut-Lock
27	289-48	1	Nipple-Pipe
28	288-10	1	Cap-Pipe
29	28-3894	1	Wire-Positive
30	323-9	2	Screw
31	3290-357	1	Nut-Wizz
32	32128-21	2	Nut-Lock
33	3256-4	1	Washer-Flat
34	98-8000	1	Guard-Tank
35	323-7	1	Screw-HH
36	105-3102	1	Muffler
37	33104-020	1	Screw
38	96-6780	4	Nut-Lock
39	93-0350	2	Gasket



T-0080

Clutch Assembly No. 54-0220

Ref. No.	Part No.	Qty.	Description	Ref. No.	Part No.	Qty.	Description
1	54-0230	1	Field Assembly (Incl. Ref. #2 & 3)				
2	251-292	1	Bearing-Field				
3	44-8310	2	Ring-Retaining				
4	44-8360	1	Field Coil-Rotor & Bearing (Incl. Ref. #1)				
5	44-8370	1	Armature & Pulley Assembly (Incl. Ref. #3, 6, 7 & 8)				
6	44-8330	1	Spacer-Bearing				
7	44-8340	1	Collar-Bearing				
8	251-291	1	Bearing-Pulley				
9	3296-6	3	Nut-Lock				
10	44-8320	3	Spring				

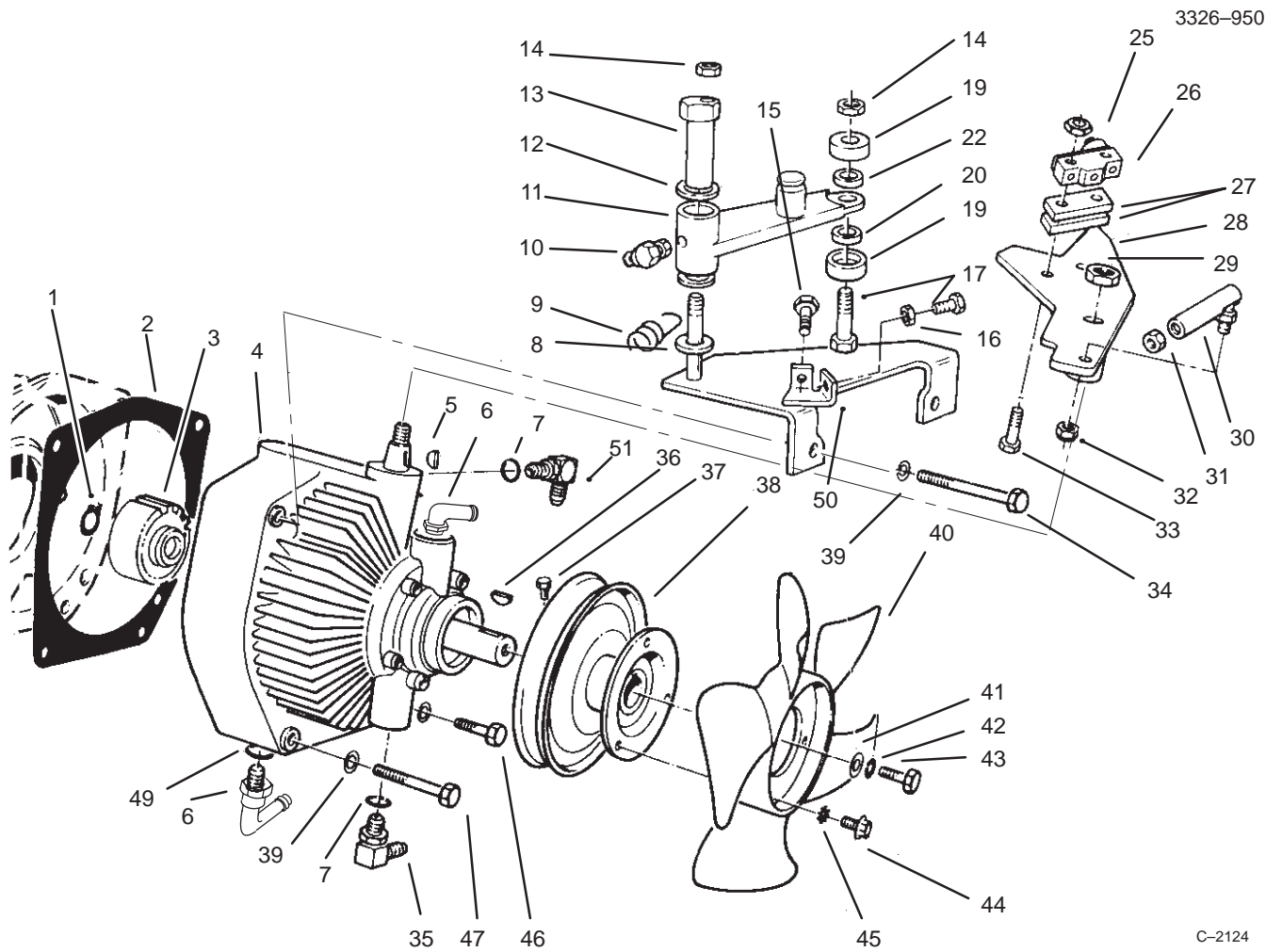


C-2123

Differential Assembly

Ref. No.	Part No.	Qty.	Description
1	54-2390	1	Pulley-Output
2	3241-1	4	Screw-Set
3	60-9130	1	Bracket-Jackshaft
4	3296-29	A/R	Nut-Lock
5	322-4	6	Screw-HH
6	3296-44	4	Nut-Lock
7	3256-3	4	Washer-Flat
8	3245-35	4	Screw-Set
9	72-4060	2	Bearing Assembly
10	323-8	5	Screw-HH
11	322-10	4	Screw-HH
12	80-3750	2	Spacer
14	3234-1	5	Screw-HHF
15	59-1620	1	Bracket-Transaxle
17	60-8990	1	Plate-Transaxle
18	322-4	6	Screw-HH
19	76-9430	1	Spring-Extension
20	302-2	2	Fitting-Grease
21	98-2850	1	Differential Asm
22	54-8970	2	U-Bolt
23	92-6273	1	Bracket-Spring
24	251-288	2	Bearing w/Collar
25	302-49	1	Fitting-Grease
26	3257-5	3	Key-Woodruff
28	54-2380	1	Pulley-Input
29	54-1600	1	Jackshaft

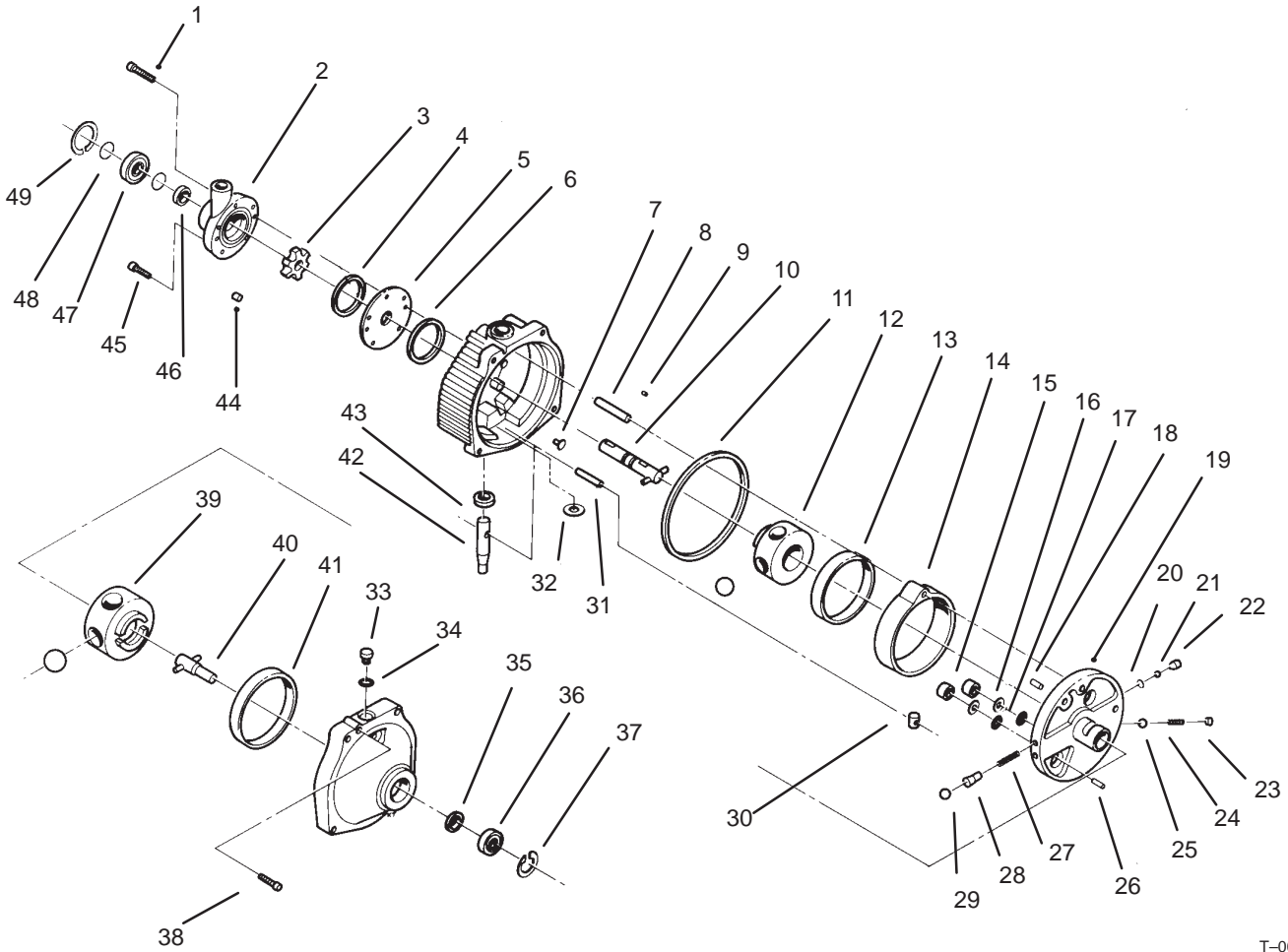
Ref. No.	Part No.	Qty.	Description
30	3230-1	6	Bolt-Carriage
31	251-341	4	Flange-Bearing
32	32149-1	6	Nut-Lock
35	251-304	1	End-Rod
36	324-7	2	Screw-HH
37	251-305	1	End-Rod
38	3220-4	2	Nut-HJ
39	3296-48	2	Nut-Lock
40	54-1490	1	Rod-Steering
41	54-2060	1	Bellcrank Assembly (Incl. Ref. #25 & 42)
42	46-6680	2	Bushing-Flanged
43	59-1470	1	Shaft-Bellcrank
44	46-8560	2	Screw-HWHTF
45	3256-23	2	Washer-Flat



Transmission Assembly

Ref. No.	Part No.	Qty.	Description
1	32120-64	1	Ring-Snap
2	55-4320		Gasket
3	54-0320	1	Gear
4	98-0777	1	Transmission-Hydrostatic
5	3257-24	1	Key-Woodruff
6	94-7691	2	Adapter
7	237-79	2	O-Ring
8	3256-68	1	Washer
9	76-9430	1	Spring-Extension (Ref.)
10	302-60		Fitting-Grease 90°
11	92-6289	1	Swing Arm Assembly (Incl. 256-113 Bushings (2))
12	3-6498	1	Washer
13	76-8640	1	Stud-Traction
14	3296-29	A/R	Nut-Lock
15	322-6	2	Screw-HH
16	3217-6	4	Nut
17	322-7	1	Screw-HH
19	251-307	2	Bearing
20	92-6290	1	Spacer
22	75-5470	1	Spacer-Bearing
25	3296-9	2	Nut
26	29-6163	1	Switch

Ref. No.	Part No.	Qty.	Description
27	75-4130	2	Spacer
28	92-6269	2	Lever-Traction
29	3296-25	1	Nut
30	2411-34	1	Joint-Ball
31	3220-1	1	Nut-HJ
32	3296-3	1	Nut-Lock
33	3250-46	2	Screw
34	323-14	2	Screw-HH
35	353-511	1	Fitting-Hydraulic, 90° (Incl. Ref. #7)
36	3257-5	3	Key-Woodruff
37	3241-2	2	Screw-Set
38	54-0930	1	Pulley-Transmission
39	3253-5	4	Washer-Lock
40	54-0240	1	Fan
41	3256-55	1	Washer
42	3253-3	1	Washer-Lock
43	321-2	1	Screw-HH
44	32144-19	3	Screw
45	3255-5	3	Washer-Lock
46	323-13	1	Screw-HH
47	323-16	1	Screw-HH
49	237-80	2	O-Ring
50	92-6270	1	Plate-Traction
51	340-98	2	Fitting-Hydro



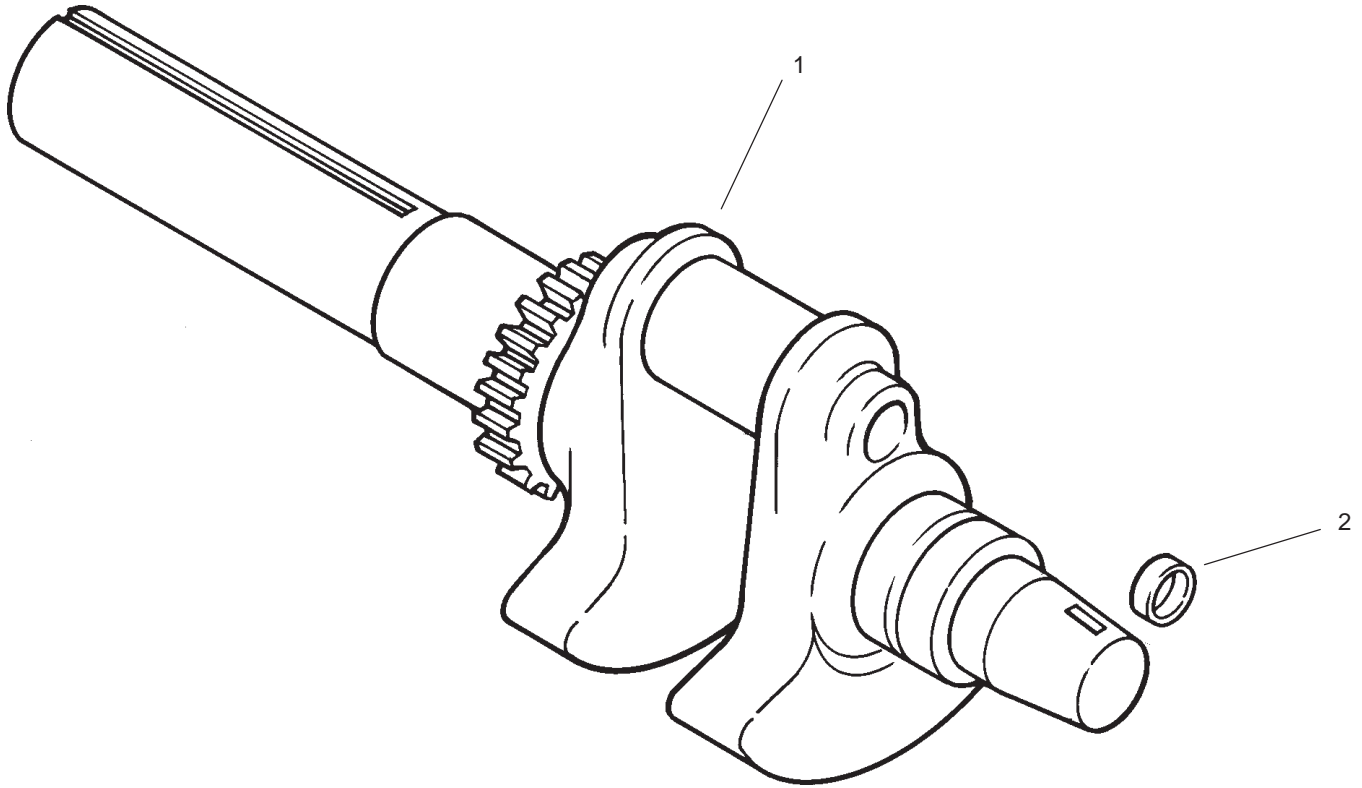
T-0083

Hydrostatic Transmission Assembly

Ref. No.	Part No.	Qty.	Description
1	56-2800	1	Screw-HSH
2	56-2830	1	Charge Pump Assembly (Incl. Ref. #1)
3	56-3120	1	Carrier
4	56-2850	1	Ring-Seal
5	56-2860	1	Plate-Pump
6	56-2870	1	Ring-Seal
7	56-2880	2	Button
8	56-2890	1	Pin-Dowel
9	56-2900	1	Pin-Drive
10	56-2910	1	Input Shaft Assembly
11	56-2920	1	Ring-Seal
12	56-2930	1	Pump Rotor & Ball Assembly
★13		1	Race-Pump
14	56-2940	1	Cam Ring Assembly (Incl. Ref. #13)
15	56-2950	2	Piston
16	56-2960	2	Ring-Backup
17	56-2970	2	O-Ring
18	56-2980	1	Pin-Coil
19	56-2990	1	Pintle Assembly (Incl. Ref. #15-18, 20 22-26 & 27-29)
20	56-3000	2	Ring-Retaining

Ref. No.	Part No.	Qty.	Description
21	56-3010	2	Ball
22	56-3020	2	Body-Valve, Check
23	56-3050	1	Plug-Valve, Relief
24	56-3040	1	Spring-Valve, Relief
25	56-3030	1	Ball
26	56-3060	1	Pin-Dowel
27	56-3180	2	Spring-Valve
28	56-3200	2	Body-Valve
29	56-3210	2	Ball
30	56-3170	1	Insert-Ring, Cam
★31		1	Dowel
★32		1	Washer-Shaft, Control
33	56-3250	1	Plug Assembly (Incl. Ref. #34)
34	56-3260	1	O-Ring
35	56-3270	1	Seal-Oil
36	56-3280	1	Bearing-Output
37	56-3290	1	Ring-Retaining
38	56-3300	2	Screw-HSH
39	56-3220	1	Motor Rotor & Ball Assembly
40	56-3230	1	Output Shaft Assembly
41	56-3240	1	Race - Motor
42	56-3140	1	Control Shaft Kit (Incl. Ref. #31 & 32)

★ Not serviced separately

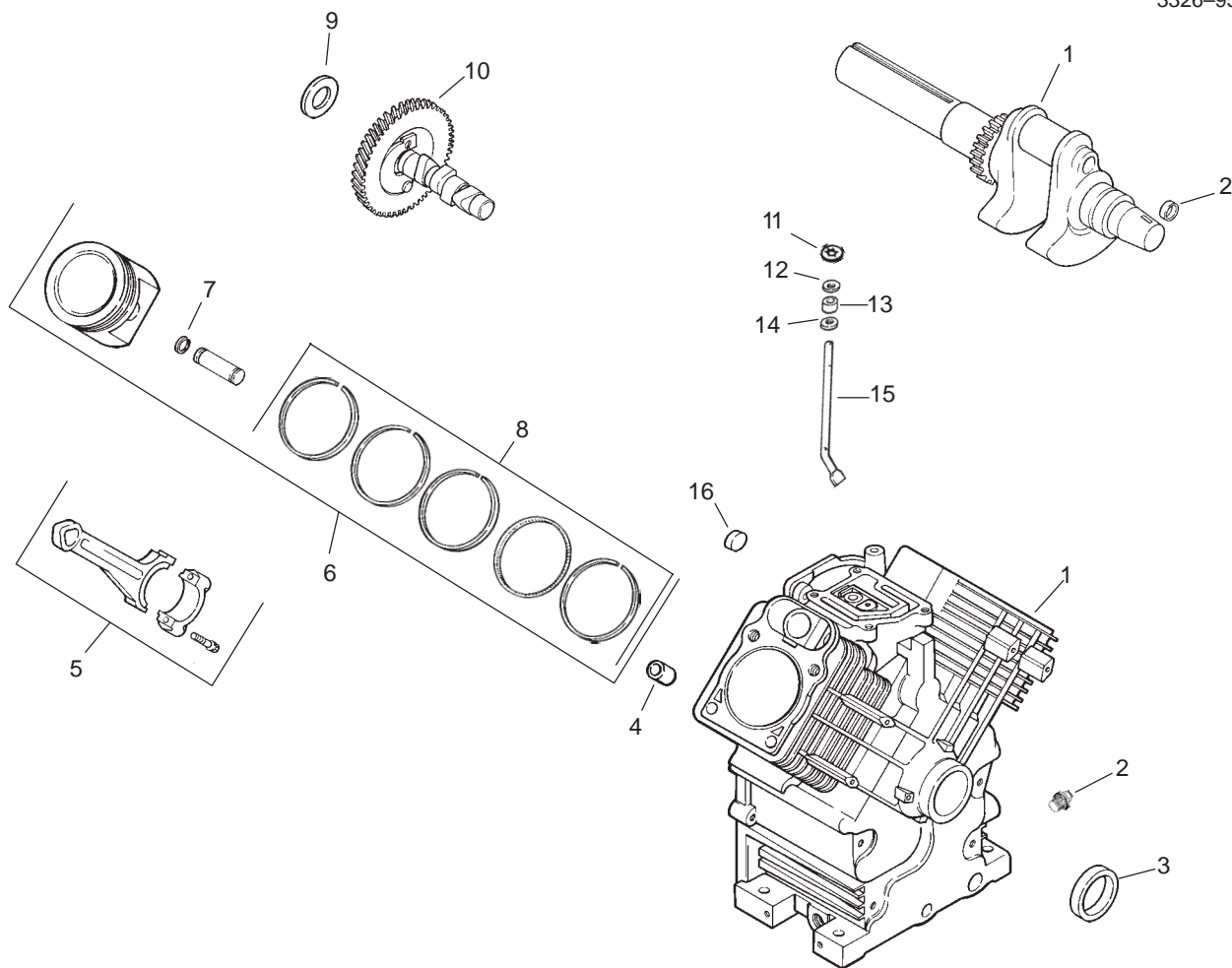


Crankshaft Assembly Kohler Engine CH20QS-64678

Ref. No.	Part No.	Qty.	Description
1	24 014 32-S	1	Crankshaft ASM (Includes Ref. # 2)
2	52 139 09-S	1	Plug-Cup

Ref. No.	Part No.	Qty.	Description

Obtain Parts From Kohler

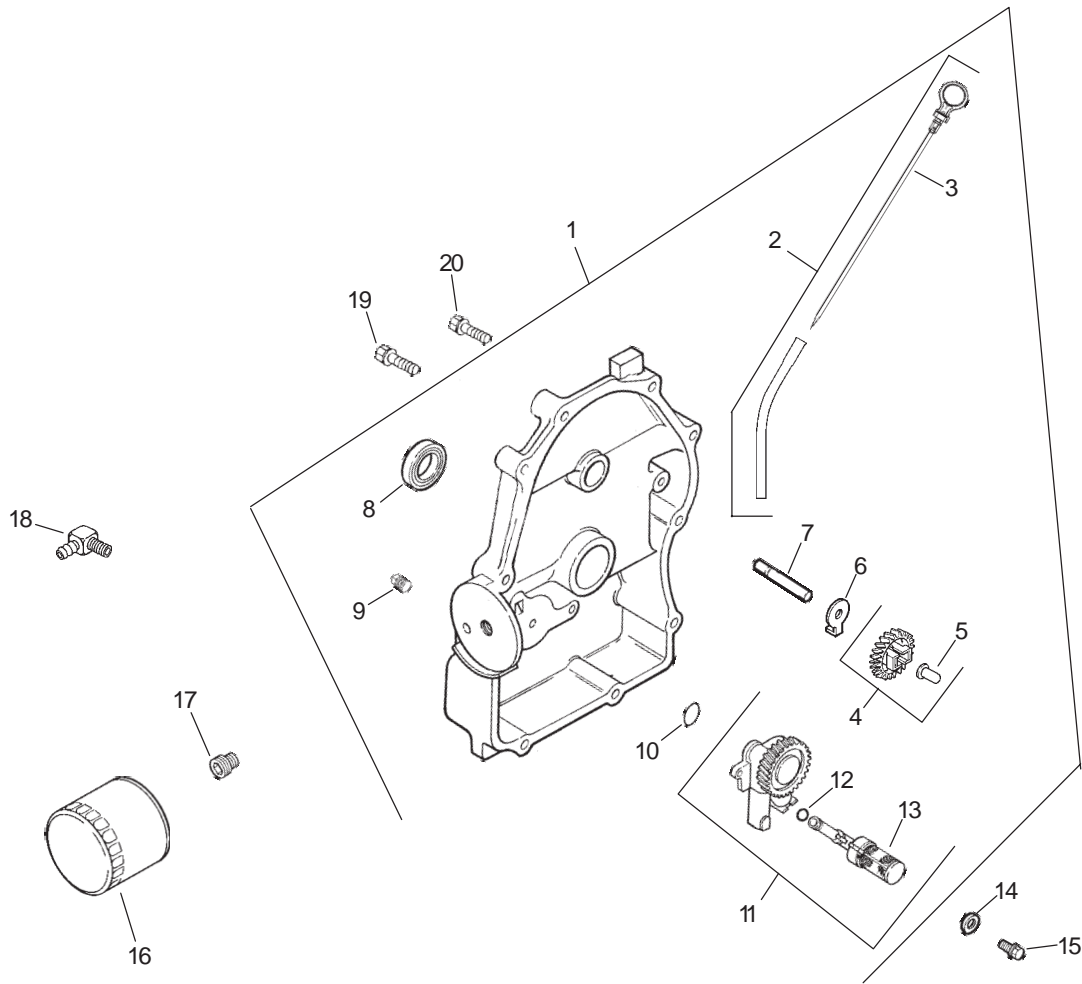


Crankcase Assembly Kohler Engine CH20QS-64678

Ref. No.	Part No.	Qty.	Description
1		1	Crankcase (Use: Miniblock 24 782 15)
2	25 139 57-S	2	Plug-SQH
3	24 032 01-S	1	Seal-Front, Oil
4	24 380 13-S	6	Dowel-Locating
5	24 067 13-S	2	Rod-Connecting (STD)
5	24 067 14-S	2	Rod-Connecting (.025)
6	24 874 17-S	2	Set-Piston w/ Ring (STD) (Incl. Ref.#7&8)
6	24 874 14-S	2	Set-Piston w/ Ring (.08)
6	24 874 18-S	2	Set-Piston w/ Ring (.25)
6	24 874 19-S	2	Set-Piston w/ Ring (.50)
7	24 018 01-S	4	Retainer-Pin, Piston
8	24 108 11-S	2	Set-Ring (STD & .08)
8	24 108 12-S	2	Set-Ring (.25)
8	24 108 13-S	2	Set-Ring (.50)
9	12 422 09-S	A/R	Shim-Camshaft, Red
9	12 422 13-S	A/R	Shim-Camshaft, Black
9	12 422 07-S	A/R	Shim-Camshaft, White
9	12 422 08-S	A/R	Shim-Camshaft, Blue

Ref. No.	Part No.	Qty.	Description
9	12 422 10-S	1	Shim-Camshaft, Yellow
9	12 422 11-S	A/R	Shim-Camshaft, Green
9	12 422 12-S	A/R	Shim-Camshaft, Gray
10	24 012 10-S	1	Camshaft
11	24 018 09-S	1	Retainer-Ring
12	M-931010-S	1	Washer-Nylon (top)
13	28 032 09-S	1	Seal-Cross Shaft, Governor
14	24 468 15-S	1	Washer (bottom)
15	24 144 33-S	1	Shaft-Cross, Governor
16	52 139 09-S	1	Plug-Cup

Obtain Parts From Kohler

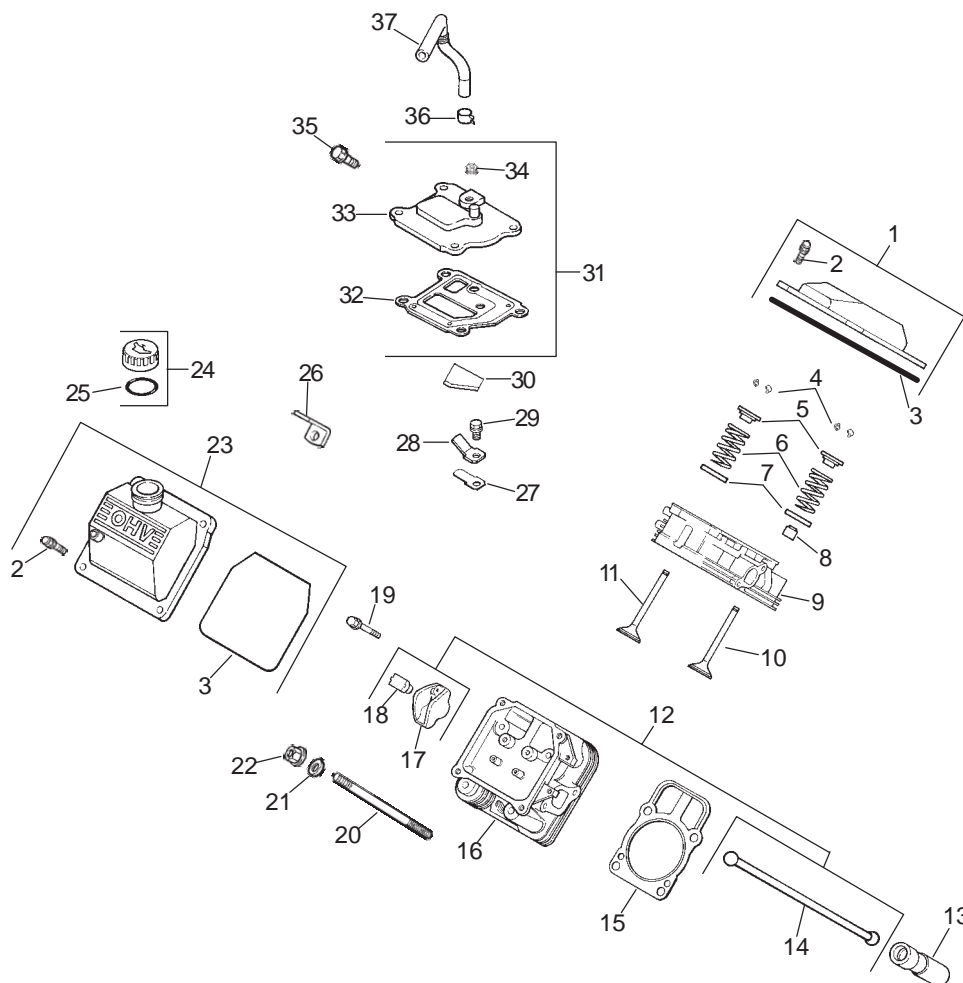


Oil Pan/Lubrication Assembly Kohler Engine CH20QS-64678

Ref. No.	Part No.	Qty.	Description
1	24 009 83-S	1	Kit-Plate, Closure (Incl. Ref.# 2-13)
2	24 755 121-S	1	Kit-Dipstick and Tube (Incl. Ref. # 3)
3	24 038 10-S	1	Dipstick
4	24 043 12-S	1	Kit-governor gear w/ pin (Incl. Ref. # 5)
5	12 380 01-S	1	Pin-Regulating, Governor
6	52 448 02-S	1	Tab-Locking
7	12 144 02-S	1	Shaft-Gear, Governor
8	52 032 08-S	1	Seal-Oil (PTO end)
9	25 139 60-S	1	Plug-Pipe, Allen Head
10	24 153 08-S	1	O-Ring
11	24 393 10-S	1	Oil Pump ASM (Incl. Ref. # 12 & 13)
12	24 153 01-S	1	O-Ring-Pick-Up, Oil
13	24 381 04-S	1	Pick-up-Oil
14	M-631005-S	2	Washer-Plain
15	M-645025-S	2	Screw-HF
16	52 050 02-S	1	Filter-Oil
17	24 136 01-S	1	Nipple-Oil Filter
18	25 155 02-S	2	Connector-Hose

Ref. No.	Part No.	Qty.	Description
19	24 086 16-S	9	Screw-HF
20	24 086 17-S	1	Screw-HF

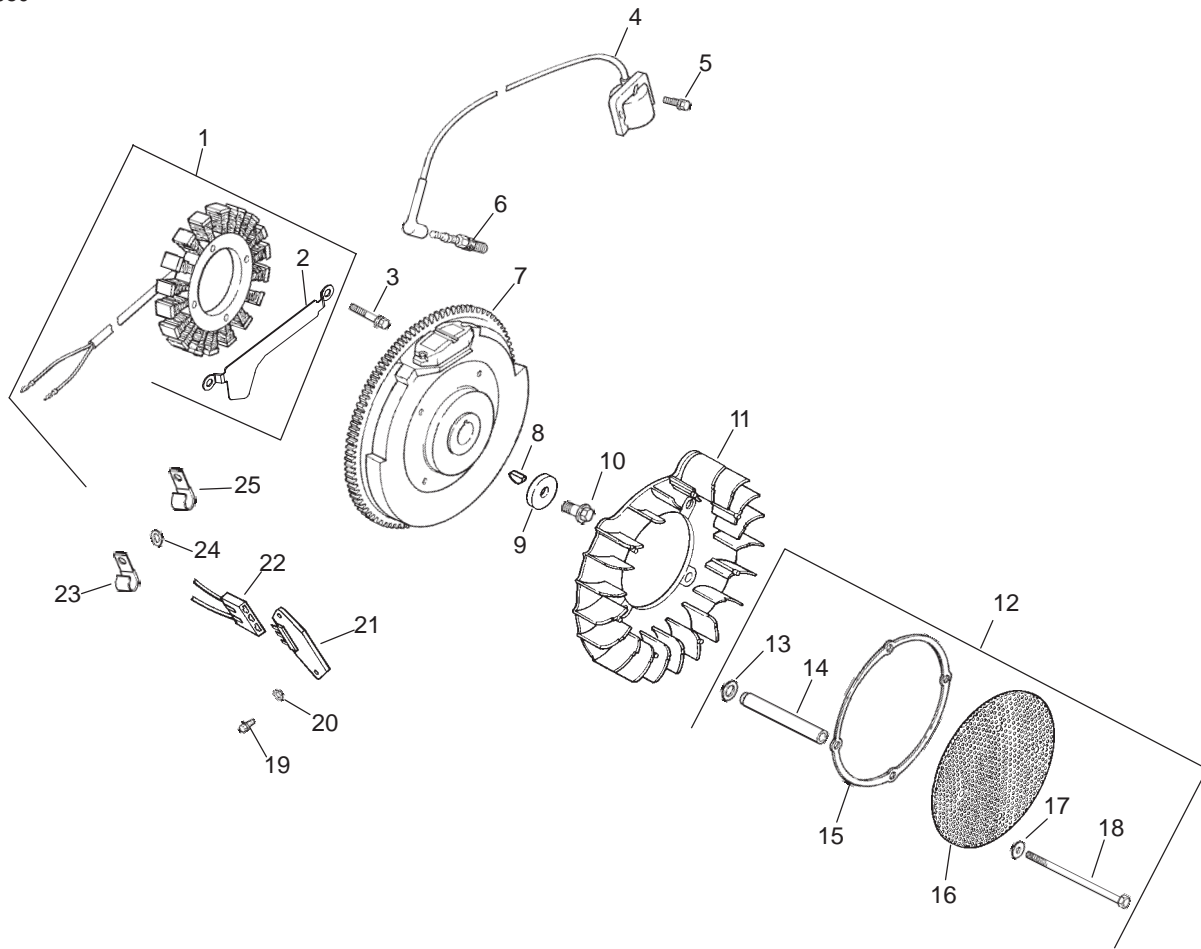
Obtain Parts From Kohler



Head/Valve/Breather Assembly Kohler Engine CH20QS-64678

Ref. No.	Part No.	Qty.	Description	Ref. No.	Part No.	Qty.	Description
1	24 755 74-S	1	Kit-Valve Cover, Plain (Incl. Ref. # 2 & 3)	21	24 468 16-S	8	Washer-Flat
2	24 086 32-S	4	Screw-Shoulder	22	24 100 10-S	8	Nut-HF
3	24 153 16-S	1	O-Ring-Cover, Valve	23	24 755 75-S	1	Kit-Oil Fill, Valve Cover (Incl. Ref. #2, 3, & 24)
4	12 755 03-S	4	Kit-Retainer	24	24 755 13-S	1	Kit-Cap, Oil Fill (Incl. Ref. # 25)
5	12 173 01-S	4	Cap-Spring, Valve	25	12 153 03-S	1	O-Ring-Cap, Oil Fill
6	24 089 02-S	4	Spring-Valve	26	24 445 01-S	1	Strap-Lifting
7	235011-S	4	Retainer-Spring	27	24 402 03-S	1	Reed-Breather
8	66 032 05-S	2	Seal-Stem, Valve	28	12 018 01-S	1	Retainer-Reed, Breather
9	24 318 68-S	1	#1 Cylinder Head ASM	29	M-545010-S	1	Screw-HF
10	24 017 01-S	2	Valve-Intake (STD)	30	24 050 01-S	1	Filter-Breather
10	24 017 02-S	2	Valve-Intake (.25)	31	24 033 01-S	1	Kit-Breather (Incl. Ref. # 34-34)
11	24 016 01-S	2	Valve-Exhaust (STD)	32	24 041 23-S	1	Gasket-Breather
11	24 016 02-S	2	Valve-Exhaust (.25)	33	24 096 58-S	1	Cover-Breather
12	24 755 66-S	1	Kit-Train, Valve (Incl. Ref. #14, 17, 18)	34	25 139 60-S	1	Plug-Pipe
13	25 351 01-S	4	Lifter-Valve	35	M-645020-S	4	Screw-HF
14	24 411 05-S	4	Rod-Push	36	25-237-14-S	1	Clamp-Breather
15	24 041 08-S	2	Gasket-Head, Cylinder	37	24 326 26-S	1	Hose-Breather
16	24 318 71-S	1	#2 Cylinder Head ASM				
17	25 186 01-S	4	Arm-Rocker				
18	24 599 01-S	4	Pivot-Arm, Rocker				
19	M-640034-S	4	Screw-HF				
20	24 072 09-S	8	Stud-Head, Cylinder				

Obtain Parts From Kohler

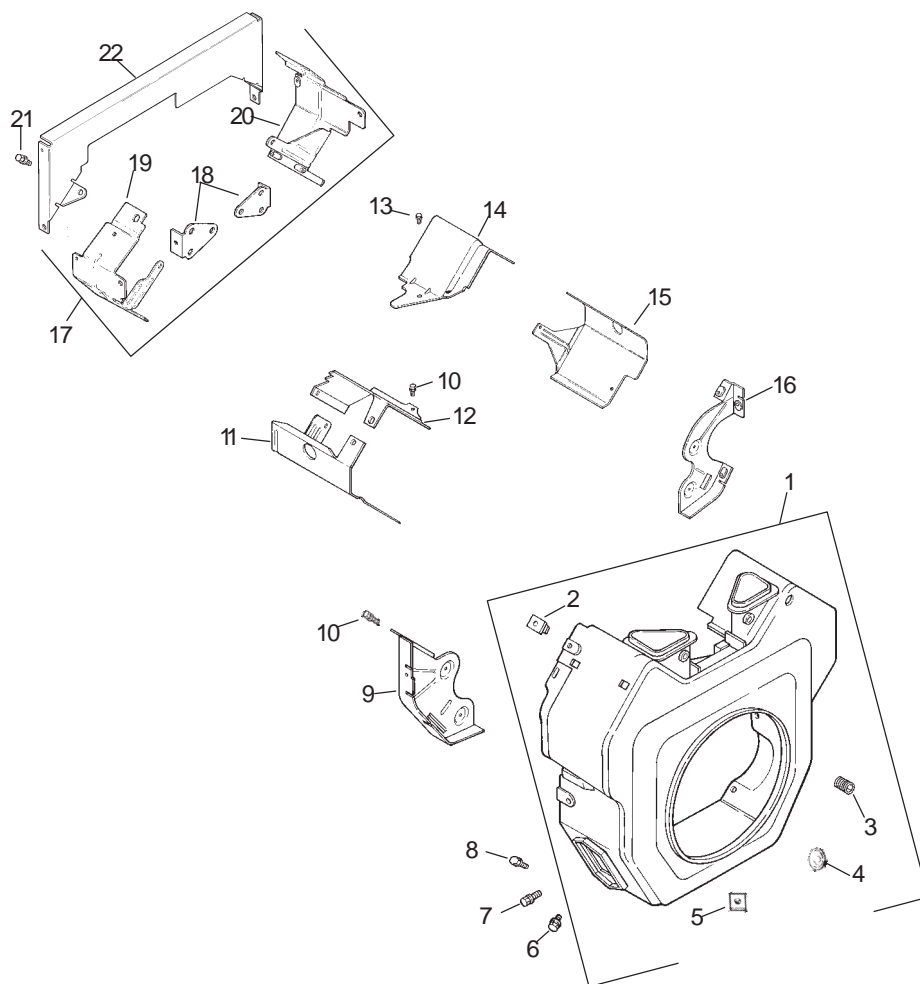


Ignition/Electrical Assembly Kohler Engine CH20QS-64678

Ref. No.	Part No.	Qty.	Description
1	54 755 09-S	1	Kit-Stator, 15 amp (Incl. Ref. # 2)
2	24 126 71-S	1	Bracket-Wire, Stator
3	M-548025-S	2	Screw-Cap, Hex
4	24 584 01-S	2	Module-Ignition
5	M-545020-S	4	Screw-HF
6	12 132 06-S	2	Plug-Spark
7	24 025 04-S	1	Flywheel
8	X-42-15-S	1	Key
9	12 468 03-S	1	Washer-Plain
10	12 086 14-S	1	Screw-HF
11	24 157 03-S	2	Fan
12	24 755 79-S	1	Kit-Screen, Chopper (Incl. Ref. # 13-18 & 41 037 10-S)
13	24 468 11-S	4	Washer-Spring
14	24 112 14-S	4	Spacer
14	X-25-53-S	4	Washer-Plain
15	24 141 06-S	1	Ring-Support
16	24 162 25-S	1	Screen-Grass
17	X-25-53-S	2	Washer-Plain
18	M-603100-S	4	Screw-HH
19	24 086 18-S	2	Screw-Head, Phillips
20	X-25-92-S	2	Washer-Plain

Ref. No.	Part No.	Qty.	Description
21	25 403 03-S	1	Rectifier-Regulator (15 amp)
22	236602-S	1	Connector-3 Contact
23	235173-S	1	Clip-Cable
24	X-25-63-S	1	Washer-Plain
25	48 154 02-S	1	Clip-Cable
*	24 518 12-S	1	Lead-Black (5" - 12 gauge - insulated grip barrel eyelet terminals)
*	24 176 40-S	1	Harness-Wiring
*	25 454 03-S	2	Tie-Cable
*	25 086 43-S	1	Screw-Set
*	X-22-11-S	1	Washer-Lock
*	41 037 10-S	1	Nameplate-Service

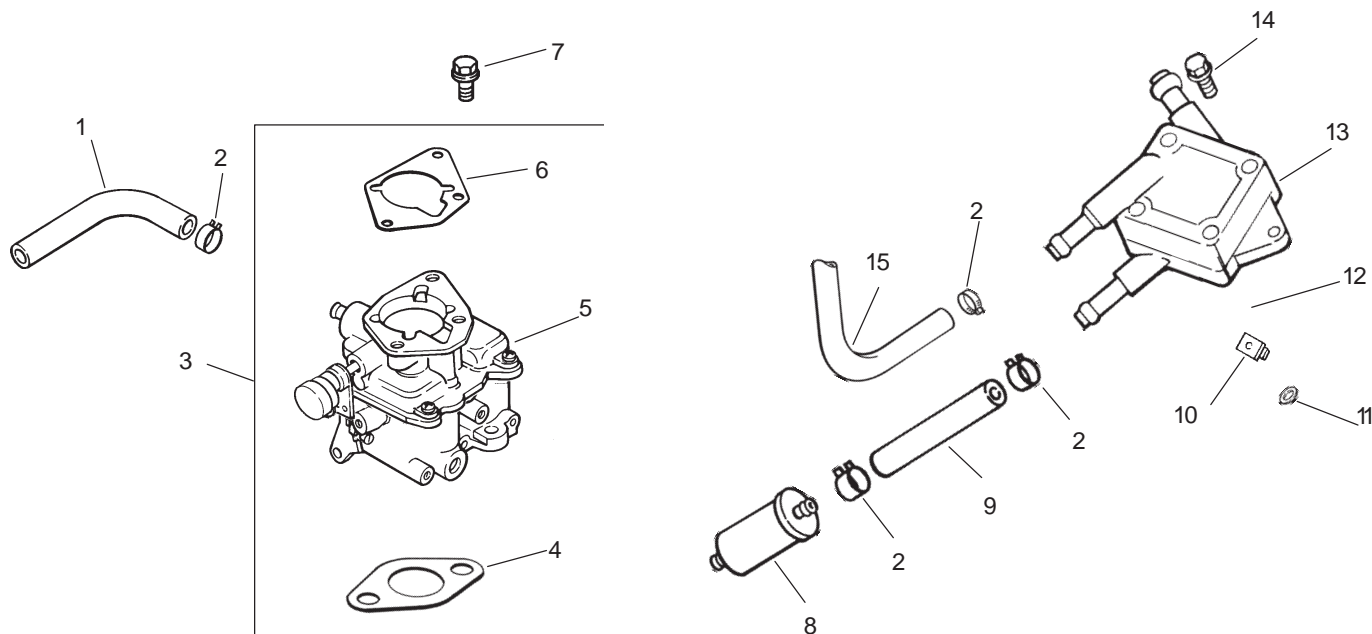
* Not illustrated
Obtain Parts From Kohler



Blower Housing and Baffles Assembly Kohler Engine CH20QS-64678

Ref. No.	Part No.	Qty.	Description	Ref. No.	Part No.	Qty.	Description
1	24 027 83-S	1	Blower Housing ASM (Incl. Ref. # 2-5 & 24 755 90-S)	21	M-639010-S	8	Screw-HF
2	24 100 01-S	4	Nut-Plastic	22	24 146 04-S	1	Plate-Ducted Air Backing
3	25 086 43-S	1	Screw-Set	28	24 126 04	2	Bracket-Support
4	25 139 16-S	1	Plug-Button	29	24 063 13-S	1	Baffle-Ducted Air, Left
5	24 100 02-S	2	Nut-Plastic	*	24 755 90-S	1	Access Hole Plug Kit
6	M-551016-S	1	Screw-HF	*	24 113 95-S	1	Decal-HP
7	M-545016-S	2	Screw-HF				
8	M-545020-S	4	Screw-HF				
9	24 146 16-S	1	Plate-Backing, #2 Side				
10	M-645016-S	6	Screw-HF				
11	24 063 20-S	1	Baffle-Cylinder Barrel, #2 Side				
12	24 063 17-S	1	Baffle-Valley, #2 Side				
13	M-545010-S	2	Screw-HF				
14	24 063 59-S	1	Baffle-Valley, #1 Side				
15	24 063 58-S	1	Baffle-Cylinder Barrel, #1 Side				
16	24 146 20-S	1	Plate-Backing, #1 Side				
17	24 755 14-S	1	Q-duct Kit (Incl. Ref. # 18-22)				
20	24 063 12-S	1	Baffle-Ducted Air, Right				

* Not illustrated
Obtain Parts From Kohler

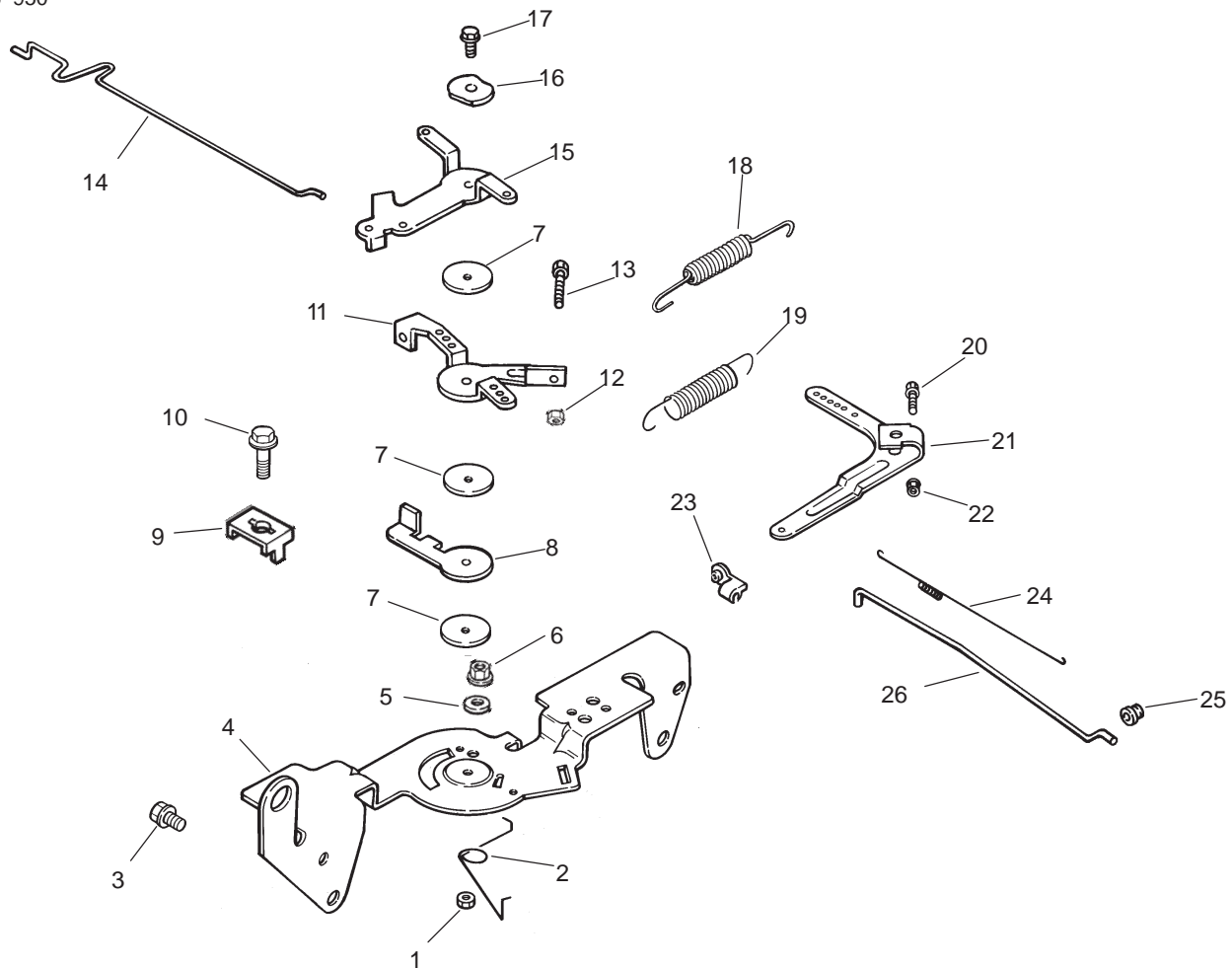


Fuel System Assembly Kohler Engine CH20QS-64678

Ref. No.	Part No.	Qty.	Description
1	25 353 32-S	2	Line-Fuel
2	25 237 14-S	6	Clamp-Hose
3	24 853 32-S	1	Kit-Carburetor w/ Gasket (Incl. Ref. # 4-6)
4	24 041 06-S	1	Gasket-Base, Air Cleaner
5		1	Carburetor ASM (For information only, not available separately. Service with kits 24 757 01-S, 24 757 02-S, 24 757 03-S & 24 757 07-S)
6	24 041 17-S	1	Gasket-Carburetor
7	M-651030-S	2	Screw-HF
8	24 050 02-S	1	Filter-Fuel
9	41 353 14-S	1	Line-Fuel
10	24 100 01-S	2	Nut-Plastic
10	24 393 16-S	1	Pump-Fuel-Pulse
11	52 112 13-S	2	Spacer
12	X-25-52-S	2	Washer-Plain
13	24 393 16-S	1	Pump-Fuel, Pulse

Ref. No.	Part No.	Qty.	Description
14	24 086 31-S	2	Screw-Tap
15	24 353 02-S	1	Line-Fuel
*	24 757 01-S	1	Kit-Solenoid
*	24 757 02-S	1	Kit-Float
*	24 757 03-S	1	Kit-Repair, Carburetor
*	24 757 07-S	1	Kit-Repair, Choke
*	24 755 125-S	1	Kit-High Altitude with Gaskets

* Not illustrated
Obtain Parts From Kohler

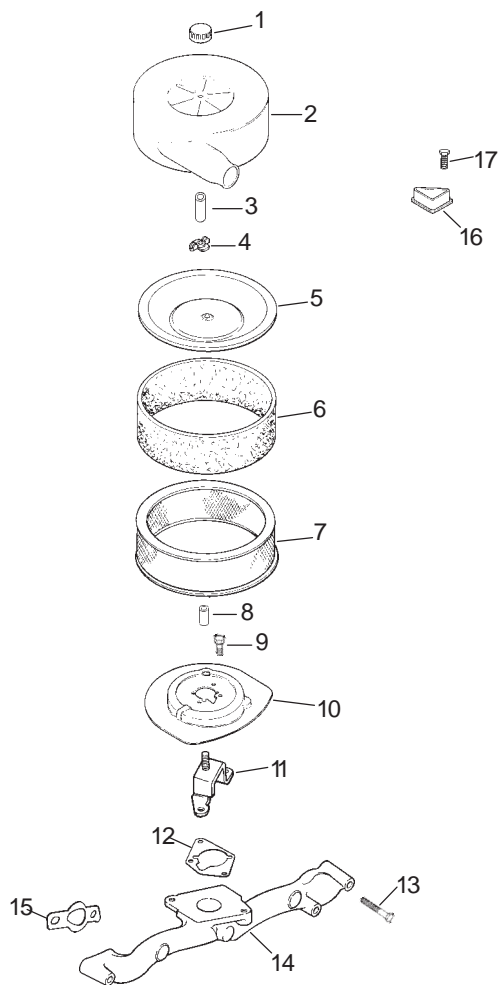


Engine Controls Assembly Kohler Engine CH20QS-64678

Ref. No.	Part No.	Qty.	Description
1	M-547050-S	1	Nut-Hex
2	24 089 03-S	1	Spring-Return, Choke
3	M-645016-S	4	Screw-HF
4	24 126 56-S	1	Bracket-Control
5	X-20-1-S	1	Washer-Lock
6	M-541050-S	1	Nut-HF
7	24 468 01-S	3	Washer-Plain
8	24 090 07-S	1	Lever-Actuator, Throttle
9	12 237 01-S	2	Clamp-Cable
10	M-545016-S	3	Screw-HF
11	24 090 03-S	1	Lever-Control, Throttle
12	M-446030-S	1	Nut-HF
13	M-401030-S	1	Screw-HF
14	24 079 02-S	1	Linkage-Choke
15	24 090 05-S	1	Lever-Choke
16	41 468 03-S	1	Washer-Spring
17	M-545020-S	1	Screw-HF
18	24 089 51-S	1	Spring-Limiter, Throttle
19	24 089 49-S	1	Spring-Governor
20	24 211 03-S	1	Bolt
21	24 090 33-S	1	Lever-Governor
22	M-641060-S	1	Nut-HF

Ref. No.	Part No.	Qty.	Description
23	25 158 11-S	1	Bushing-Retaining, Linkage
24	24 089 01-S	1	Spring-Linkage
25	25 158 08-S	1	Busing-Linkage, Throttle
26	24 079 01-S	1	Linkage-Throttle

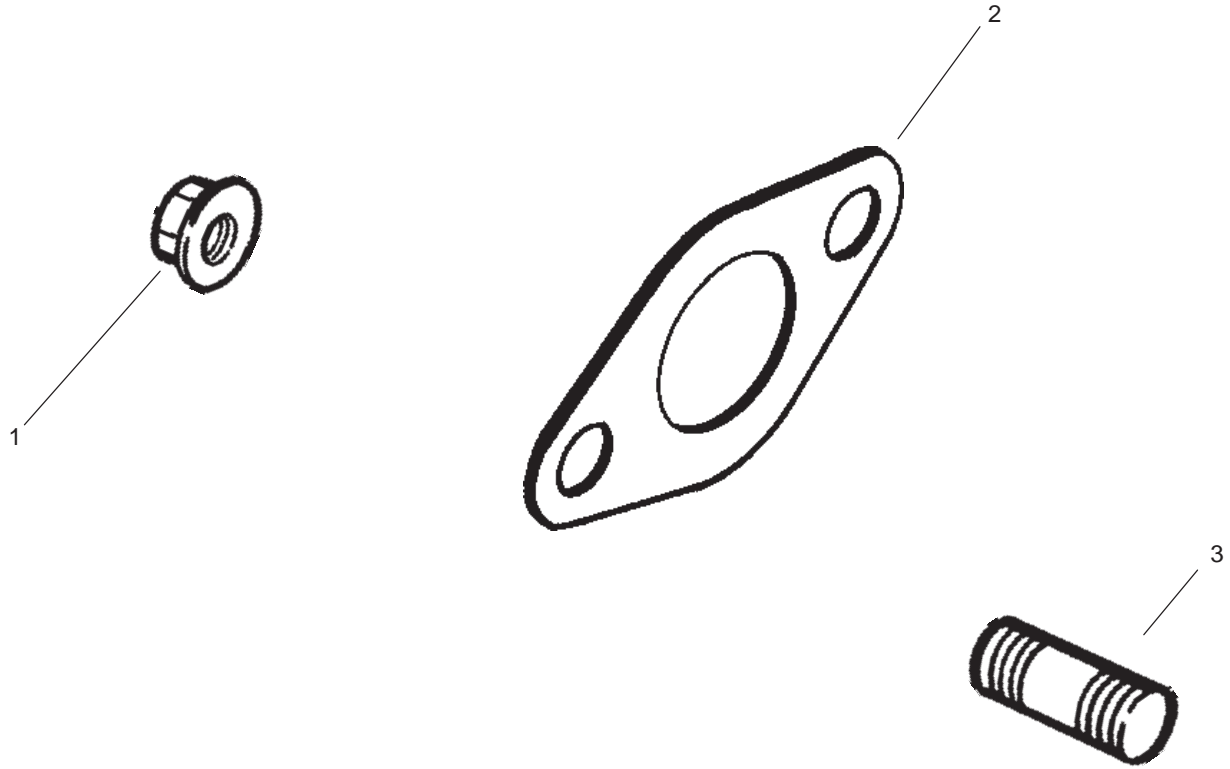
Obtain Parts From Kohler



Air Intake/Filtration Assembly Kohler Engine CH20QS-64678

Ref. No.	Part No.	Qty.	Description	Ref. No.	Part No.	Qty.	Description
1	12 341 01-S	1	Knob-Cover, Air Cleaner	*	24 113 14-S	1	Decal-Maintenance, Engine
2	24 096 54-S	1	Cover-Cleaner, Air				
3	231032-S	1	Seal-Breather				
4	24 100 01-S	1	Nut-Wing				
5	24 096 01-S	1	Cover-Cleaner, Inner Air				
6	24 083 02-S	1	Element-Precleaner				
7	47 083 03-S	1	Element-Cleaner, Air				
8	230046-S	1	Seal-Breather				
9	M-639016-S	3	Screw-HF				
10	24 126 54-S	1	Bracket-Cleaner, Air				
11	24 094 05-S	1	Base-Cleaner, Air				
12	24 041 06-S	1	Gasket-Base, Air Cleaner				
13	25 086 84-S	4	Screw-HF Intake				
14	24 164 14-S	1	Manifold-Intake				
15	24 041 01-S	2	Gasket-Manifold, Intake				
16	24 096 17-S	2	Cover-Housing, Blower				
17	25 086 91-S	2	Screw-Tapping				
*	24 431 01-S	1	Sleeve-Insulating				

* Not illustrated
Obtain Parts From Kohler



Exhaust Assembly Kohler Engine CH20QS-64678

Ref. No.	Part No.	Qty.	Description
1	M-841080-S	4	Nut-HF
2	24 041 02-S	2	Gasket-Exhaust
3	25 072 04-S	4	Stud
*	24 755 107-S	1	Gasket Set
*	24 522 146	1	Short Block

Ref. No.	Part No.	Qty.	Description

* Not illustrated
Obtain Parts From Kohler

