



2in Receiver Draw Bar

Model No. 08146

Installation Instructions

Installation

Preparing the Machine

1. Park the machine on a level surface.
2. Engage the parking brake or shift the transmission lever to the P (PARK) position.
3. Shut off the machine and remove the key.

Installing the Hitch Ball Mount

1. Insert the hitch ball mount into the receiver located at the back of the machine (Figure 1).
2. Insert the hitch pin through the hole in the receiver and the hitch ball mount. Secure with the hairpin cotter (Figure 1).

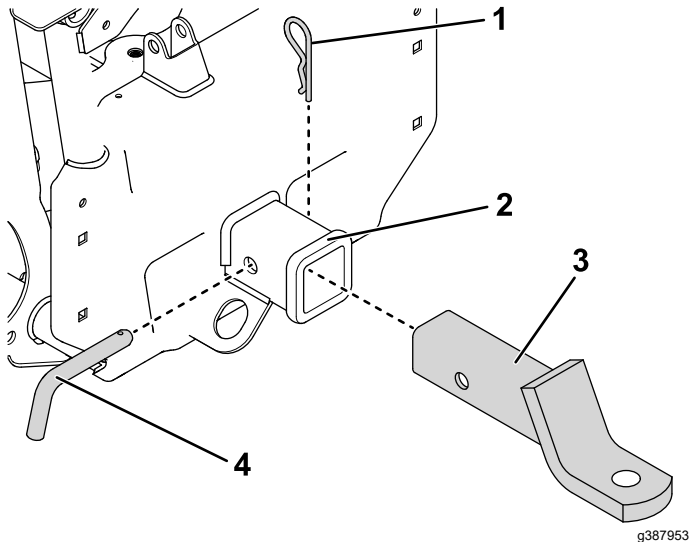


Figure 1

- | | |
|-------------------|---------------------|
| 1. Hairpin cotter | 3. Hitch ball mount |
| 2. Receiver | 4. Hitch pin |

Operation

Towing a Trailer

Refer to the *Operator's Manual* for the machine for towing information.





Count on it.