



Count on it.

Parts Catalog

**Z Master® Professional 5000
Series Riding Mower**

**with 60in TURBO FORCE® Side Discharge
Mower**

Model No. 74930—Serial No. 402090000 and Up



Ordering Replacement Parts

To order replacement parts, please supply the part number, the quantity, and the description of each part desired.

Understanding Reference Numbers

Each identified part in an illustration has a reference number. The reference number for a part also appears in the parts list, along with other information about the part.

This catalog uses two special reference number formats, one to indicate parts in a service assembly and another to indicate the quantity of a given part in an illustration.

Service Assembly Reference Numbers

Parts in service assemblies have reference numbers in the form a:b. The a represents the reference number of the entire service assembly and the b represents a sequential number unique to each part within the service assembly.

For example, a wheel assembly might be identified by reference number 6, the tire by 6:1, the valve by 6:2, and the wheel by 6:3. When you order the assembly identified by reference number 6, you receive all parts identified by reference numbers 6:1, 6:2, and 6:3. However, you may also order any part individually. Reference numbers of this type appear in illustration and in parts lists.

Reference Numbers Indicating Quantity

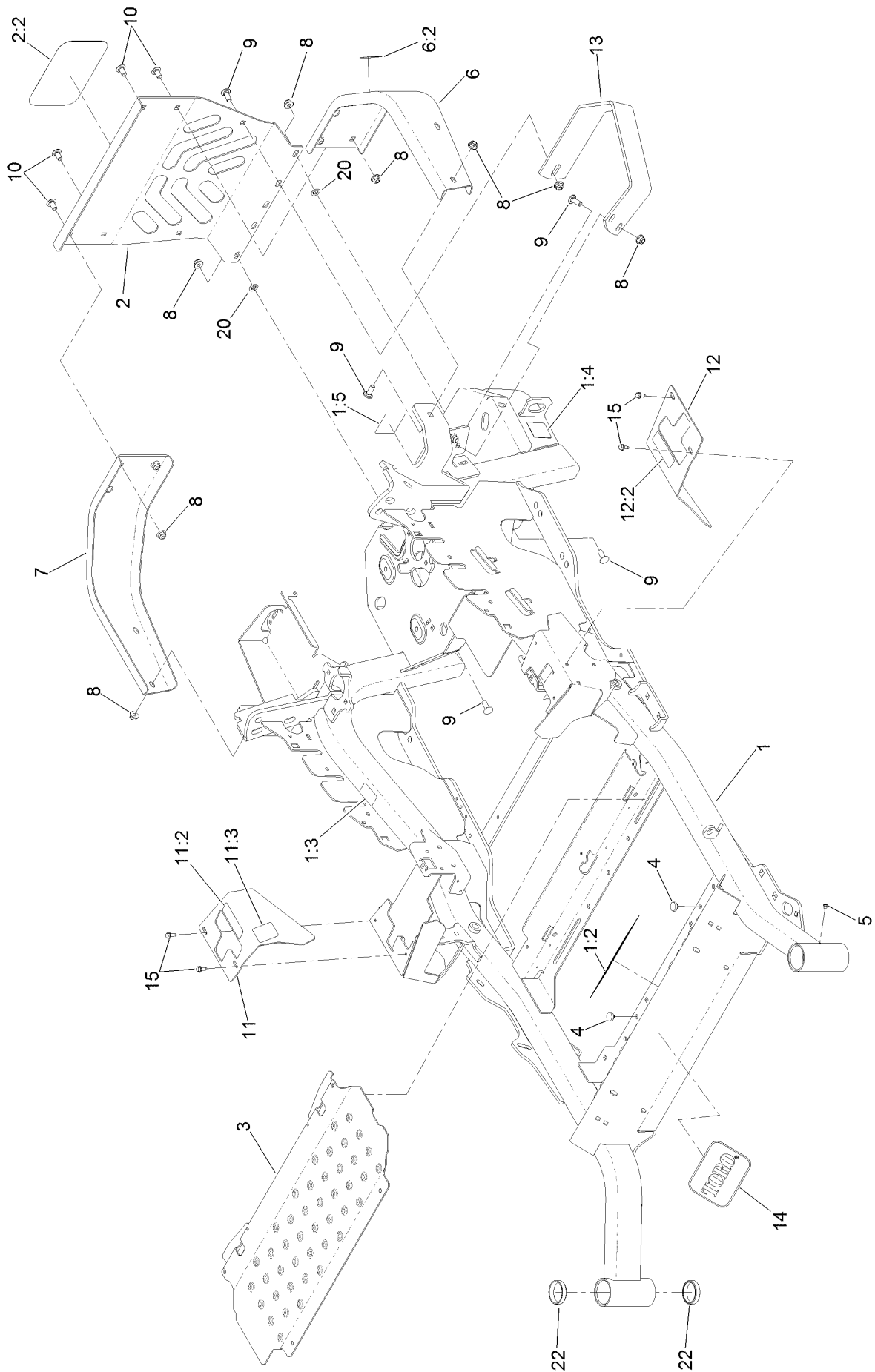
In an illustration, if a reference number indicates more than one part, the reference number has the form nX y. The n represents the quantity of the part, the X is the multiplication symbol, and the y represents the reference number.

For example, in an illustration, the reference number 2X 37 means that two of the parts identified by reference number 37 are indicated.

Contents

Frame Assembly	4
Roll-Over Protection System Assembly	6
Roll-Over Protection System Assembly No. 116-0231	8
Caster Fork and Wheel Assembly	10
Hydraulic Drive Assembly	12
Pump Idler Assembly No. 116-1255	14
LH Hydro Assembly No. 126-1323	16
RH Hydro Assembly No. 126-1324	18
Rear Wheel Assembly	20
Park Brake Assembly	22
Fuel System Assembly	24
Fuel Tank Assembly No. 135-0643	26
Seat Mounting Assembly	28
Seat Assembly No. 125-3107	30
Motion Control Assembly	32
Control Console Assembly	34
Electrical Assembly	36
Wire Harness Assembly No. 126-5875	38
Deck Lift Assembly	40
Engine, Clutch and Muffler Assembly	42
Frame Decal Assembly	44
Deck Assembly	46
Deck Decal Assembly No. 114-5815	48
Idler Arm Assembly	50
Spindle Assembly No. 127-0560	52
Rubber Deflector Assembly No. 108-2792	54
Attachments and Accessories	56

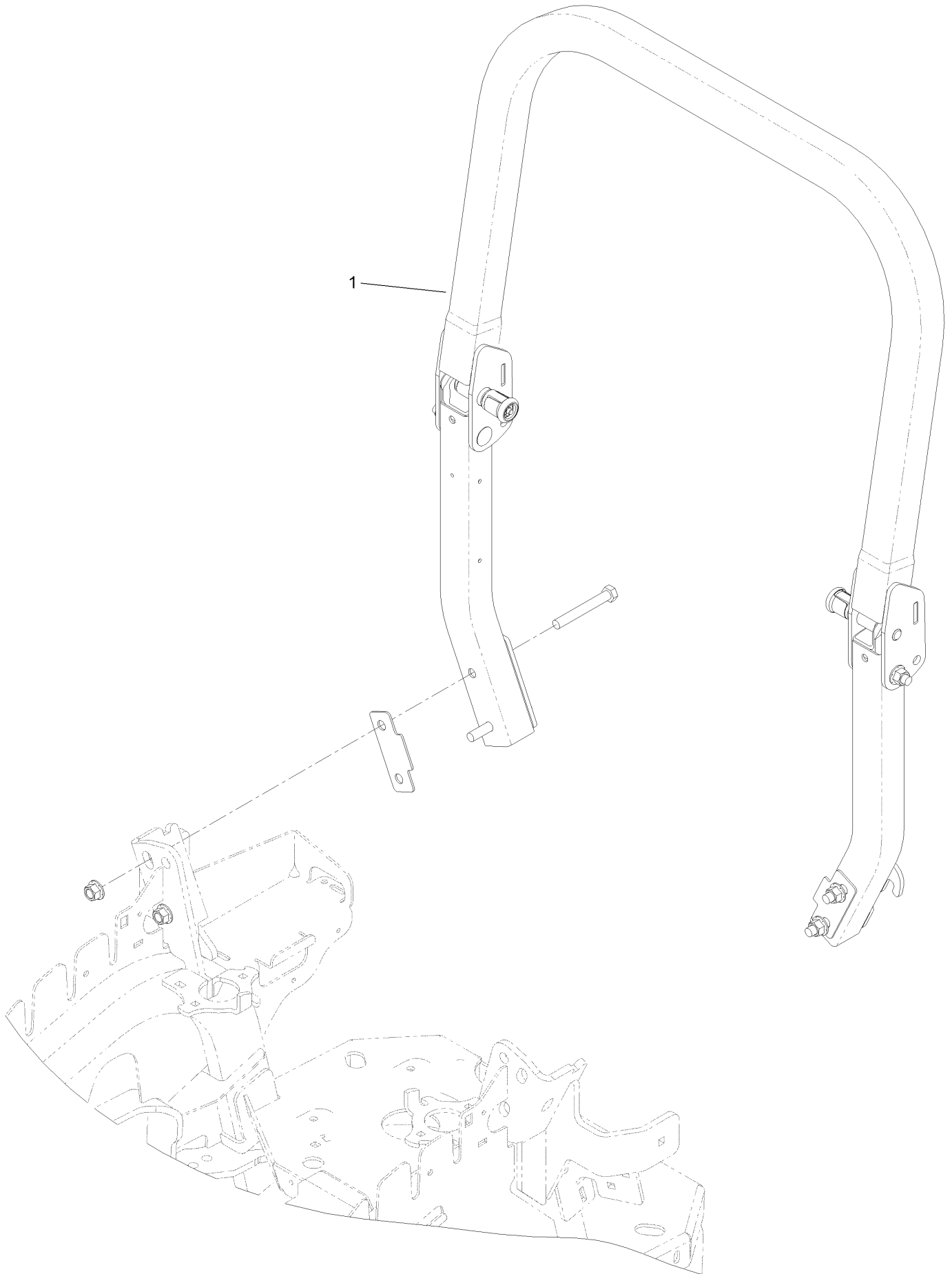
Frame Assembly



Frame Assembly (continued)

<i>Ref.</i>	<i>Part Number</i>	<i>Qty.</i>	<i>Description</i>	<i>Ref.</i>	<i>Part Number</i>	<i>Qty.</i>	<i>Description</i>
1	116-5902	1	Mainframe ASM	9	3231-22	7	Screw-CARR
1:2	132-0871	1	Decal-Danger	10	3231-21	4	Screw-CARR
1:3	106-5517	2	Decal-Warning	11	116-5899	1	RH Motion Control Cover ASM
1:4	106-2655	2	Decal-Hazard, Pinched Finger	11:2	99-8936	1	Decal-Control, Motion
1:5	116-4858	1	Decal-Spark Arrester	11:3	116-5988	1	Decal-Park Brake, CE
2	115-7410	1	Rear Guard ASM	12	116-0580	1	LH Motion Control Cover ASM
2:2	67-7320	1	Decal	12:2	99-8936	1	Decal-Control, Motion
3	116-8898-01	1	Floorpan	13	126-2067-03	1	Guard-Muffler
4	1-513658	2	Bumper	14	68-3640	1	Decal
5	1-811010	2	Plug	15	32144-10	4	Screw-HWH
6	116-0180	1	LH Bumper ASM	20	107-3154	2	Nut-Push
6:2	106-5517	1	Decal-Warning	22	1-543508	4	Cup-Bearing
7	116-0057-03	1	Bumper-RH				
8	104-8301	11	Nut-HF, NI				

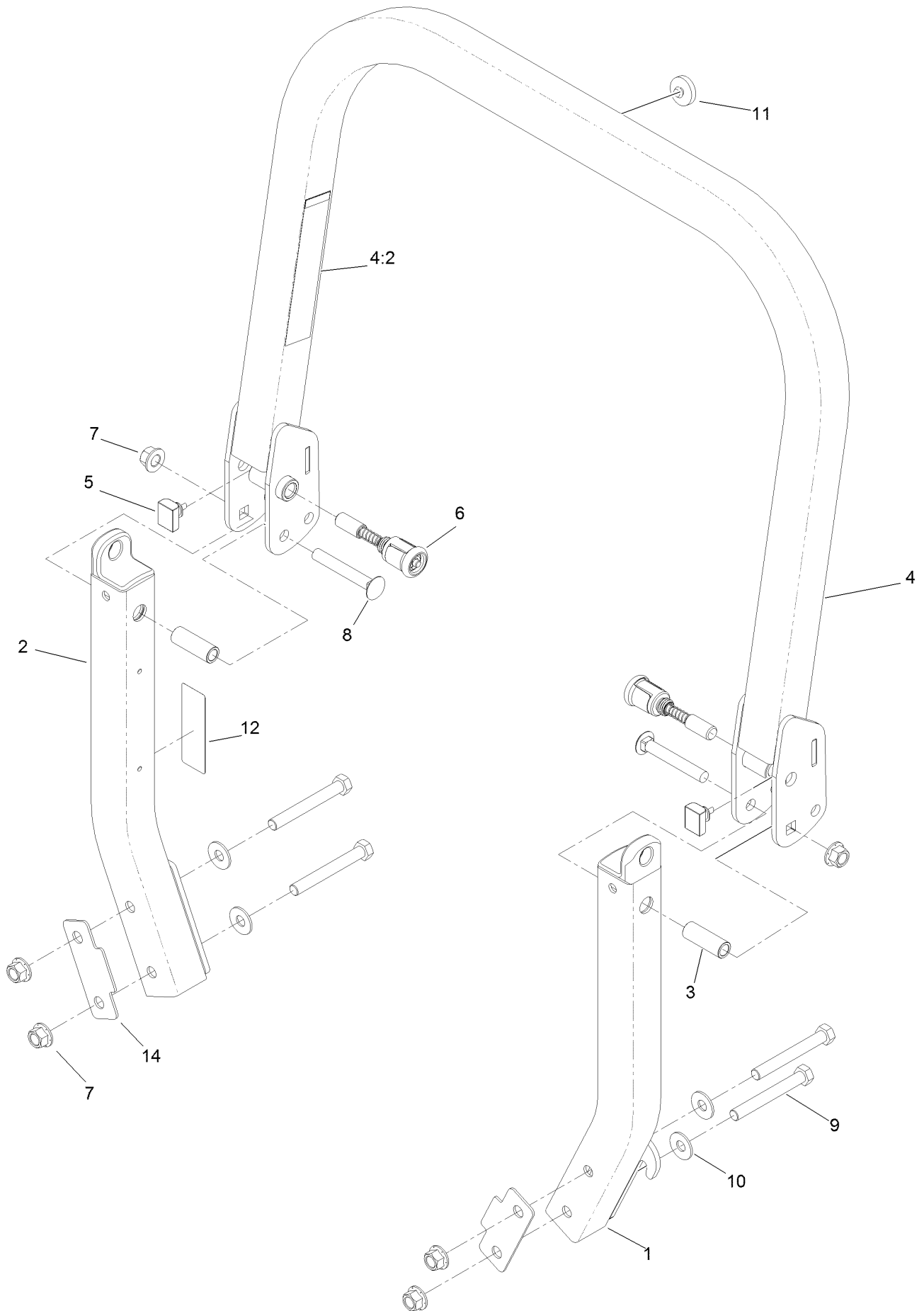
Roll-Over Protection System Assembly



Roll-Over Protection System Assembly (continued)

<i>Ref.</i>	<i>Part Number</i>	<i>Qty.</i>	<i>Description</i>
1	116-0231	1	ROPS ASM

Roll-Over Protection System Assembly No. 116-0231

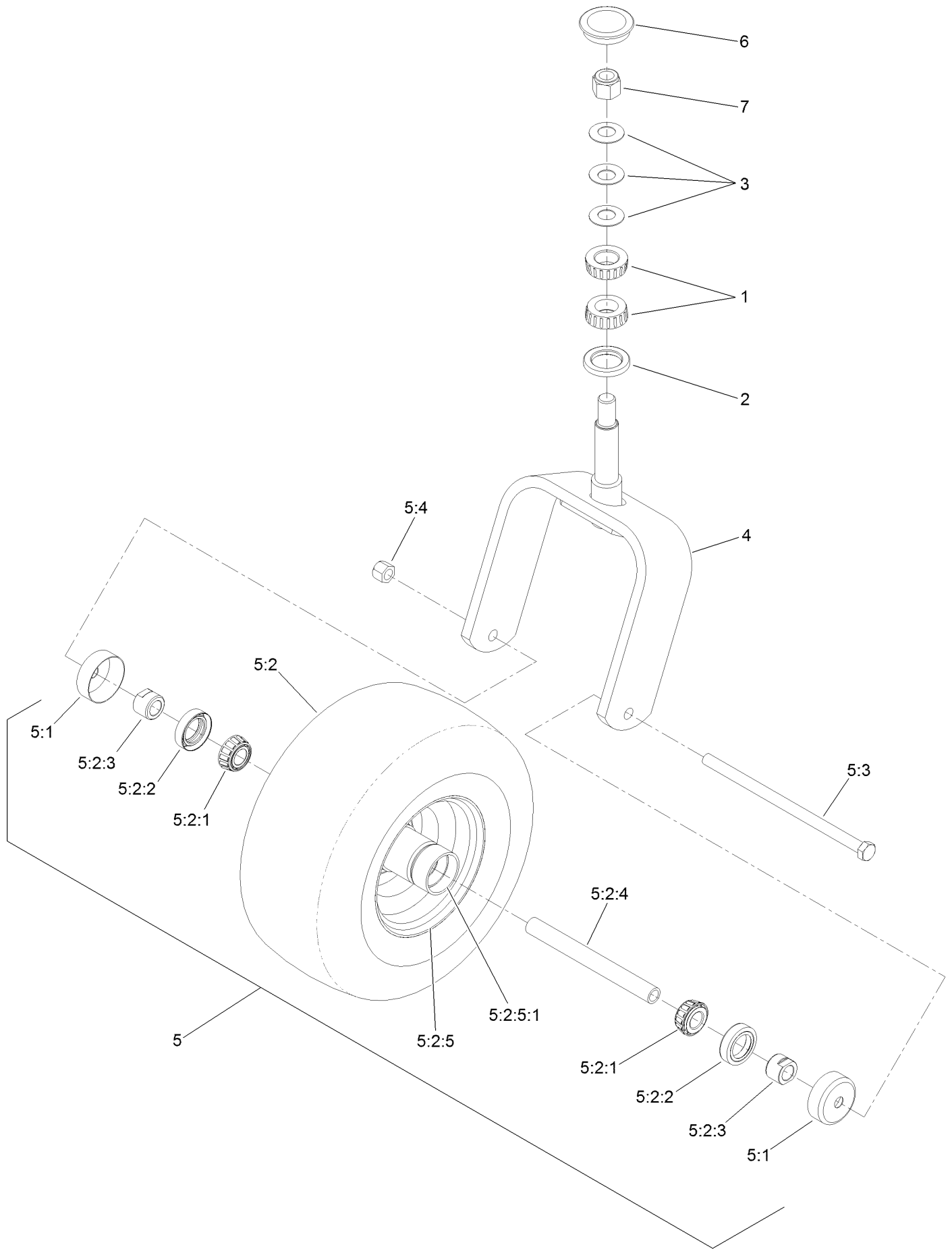


Roll-Over Protection System Assembly No. 116-0231 (continued)

<i>Ref.</i>	<i>Part Number</i>	<i>Qty.</i>	<i>Description</i>	<i>Ref.</i>	<i>Part Number</i>	<i>Qty.</i>	<i>Description</i>
1		1	Leg-ROPS, LH ●	7	99-5107	6	Nut-Lock
2		1	Leg-ROPS, RH ●	8	3233-10	2	Screw-CARR
3	109-6653	2	Spacer	9	325-35	4	Screw-HH
4		1	Upper ROPS ASM ●	10	109-9505	4	Washer-Spring
4:2	107-3069	1	Decal-Warning	11	109-9233	1	Bumper-Push-In, Rubber
5	109-5337	2	Bumper-ROPS	12	117-0346	1	Decal-Caution, Fuel Vent
6	116-0104	2	Pin-Spring	14	116-0960	2	Spacer

● Not serviced separately

Caster Fork and Wheel Assembly



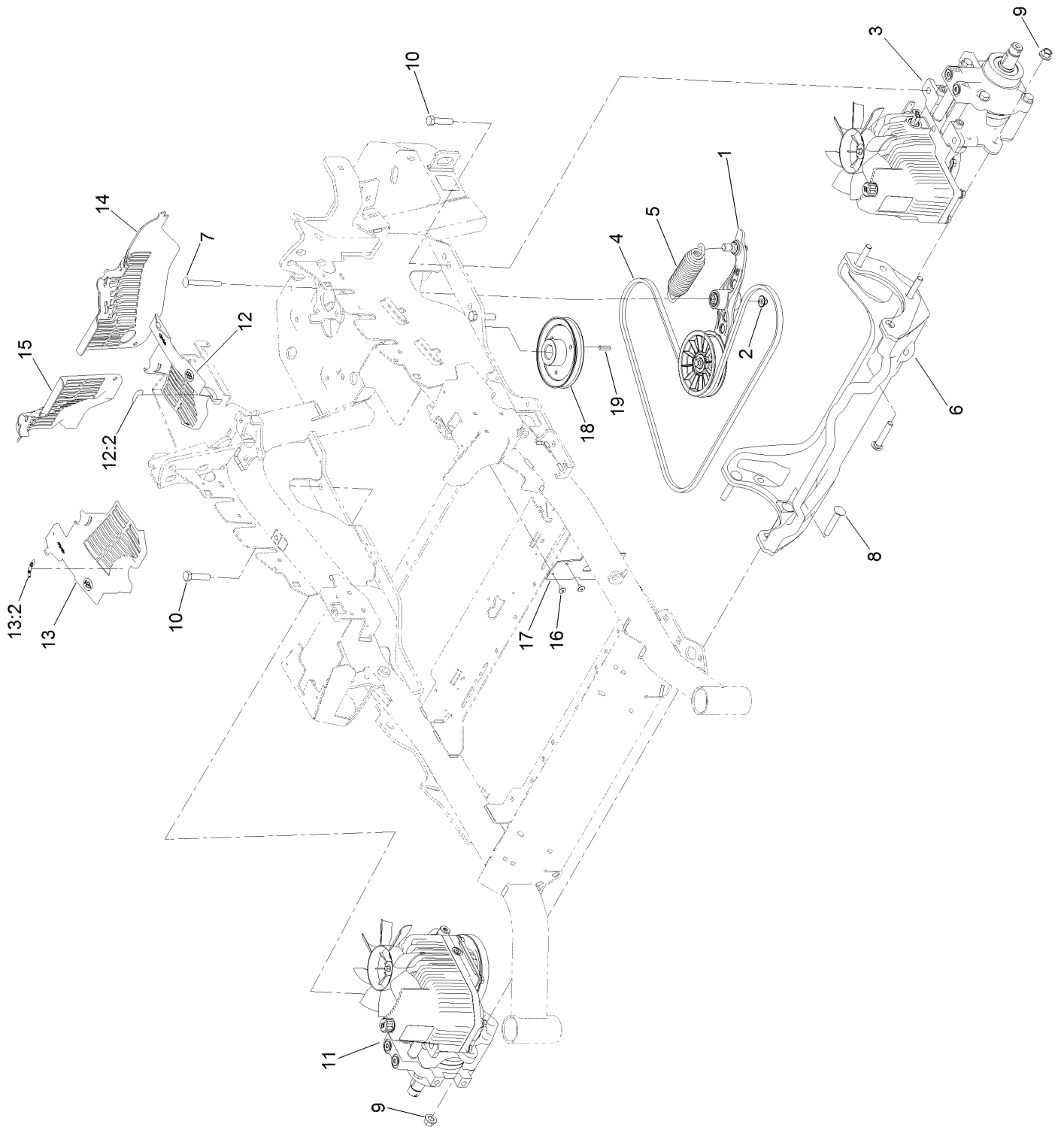
Caster Fork and Wheel Assembly (continued)

<i>Ref.</i>	<i>Part Number</i>	<i>Qty.</i>	<i>Description</i>	<i>Ref.</i>	<i>Part Number</i>	<i>Qty.</i>	<i>Description</i>
1	1-543509	2	Bearing-Roller, Tapered	5:2:3	103-3051	1	Spacer-Nut ■
2	116-5647	1	Seal-Grease	5:2:4	126-5361	1	Axle Caster ASM
3	1-633508	3	Washer-Bellville	5:2:5		1	Wheel And Tire ASM ●
4	116-6707-01	1	Caster	5:2:5:1	1-633584	2	Bearing-Cup
5	127-9528	1	Wheel And Axle ASM	5:3	325-39	1	Screw-HH
5:1	103-2768	2	Guard-Seal	5:4	3296-23	1	Nut-Lock, NI
5:2		1	Wheel And Bearing ASM ●	6	103-4882	1	Cap-Grease
5:2:1	1-633585	2	Bearing-Cone, Taper	7	3296-51	1	Nut-Lock, NI
5:2:2	103-0063	2	Seal-Caster				

● Not serviced separately

■ Use Pro-Lock, Nut Type (P/N 1-840022, .5ml tube) on threads.

Hydraulic Drive Assembly

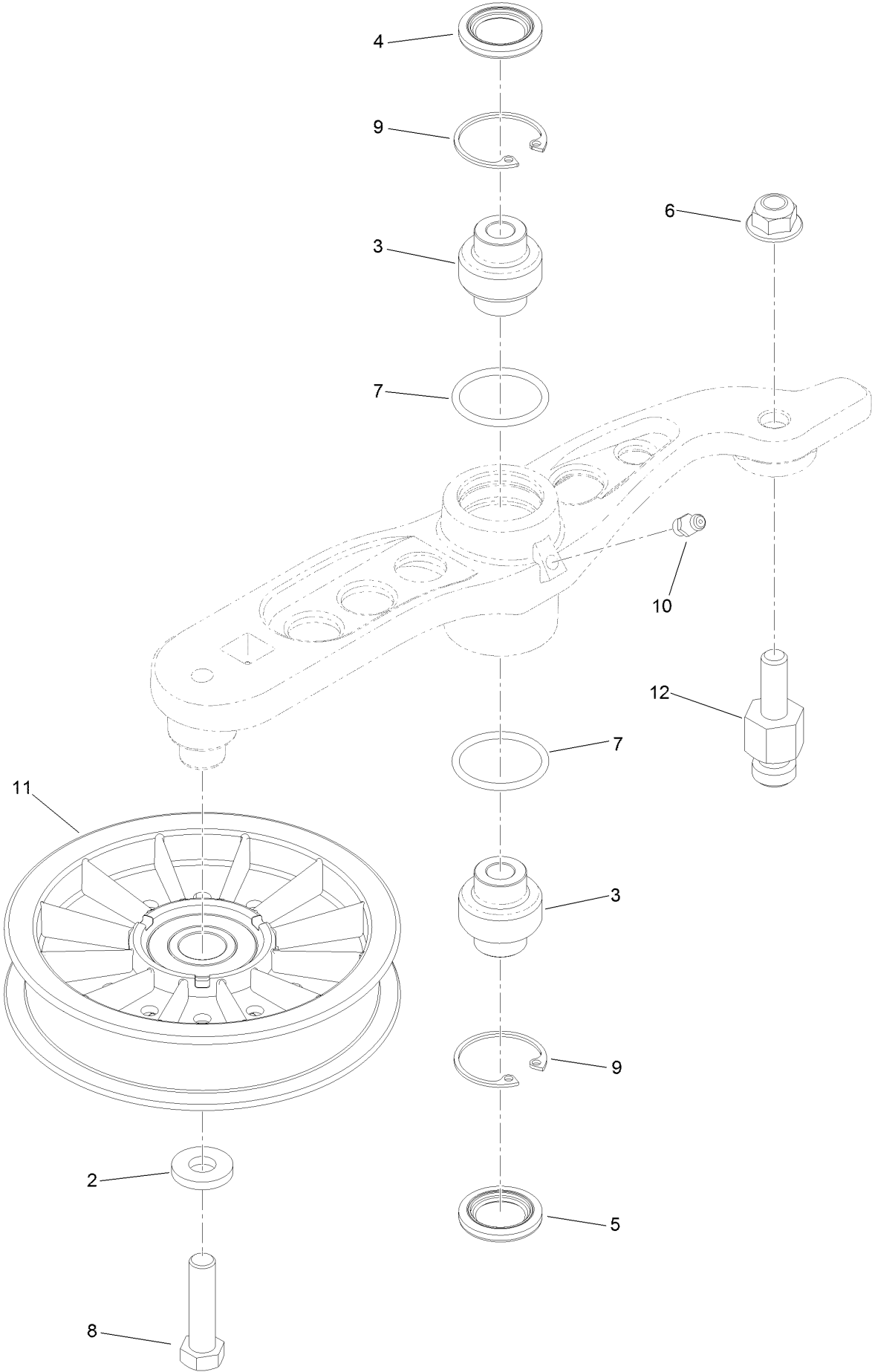


Hydraulic Drive Assembly (continued)

<i>Ref.</i>	<i>Part Number</i>	<i>Qty.</i>	<i>Description</i>	<i>Ref.</i>	<i>Part Number</i>	<i>Qty.</i>	<i>Description</i>
1	116-1255	1	Pump Idler ASM	12:2	116-8726	1	Decal-Oil, Hydro
2	109-6658	1	Nut-Flange, NI	13	116-0171	1	RH Hydro Guard ASM
3	126-1323	1	LH Hydro ASM (12Cc W/ Shock)	13:2	116-8726	1	Decal-Oil, Hydro
4	109-3388	1	Belt	14	109-9057	1	Guard-Hydro, Rear (LH)
5	116-6317	1	Spring-Extension	15	109-9058	1	Guard-Hydro, Rear (RH)
6	116-7558	1	Cradle-Hydro	16	1-803035	2	Rivet-Pop
7	116-1502	1	Bolt-Shoulder, Carriage	17	116-2362	1	Deflector-Air Flow
8	126-0095	6	Screw-CARR	18	109-9905	1	Sheave
9	99-5107	6	Nut-Lock	19	1-807259	1	Key
10	325-8	4	Screw-HH	99	114-4713	1	Hypr-Oil 500 (Quart) ●
11	126-1324	1	RH Hydro ASM (12Cc W/ Shock)	99	114-4714	1	Hypr-Oil 500 (Gallon) ●
12	116-0170	1	LH Hydro Guard ASM	99	114-4715	1	Hypr-Oil 500-5 (5 Gallon) ●
				99	117-0390	1	Filter-Hydro ●

● Not illustrated

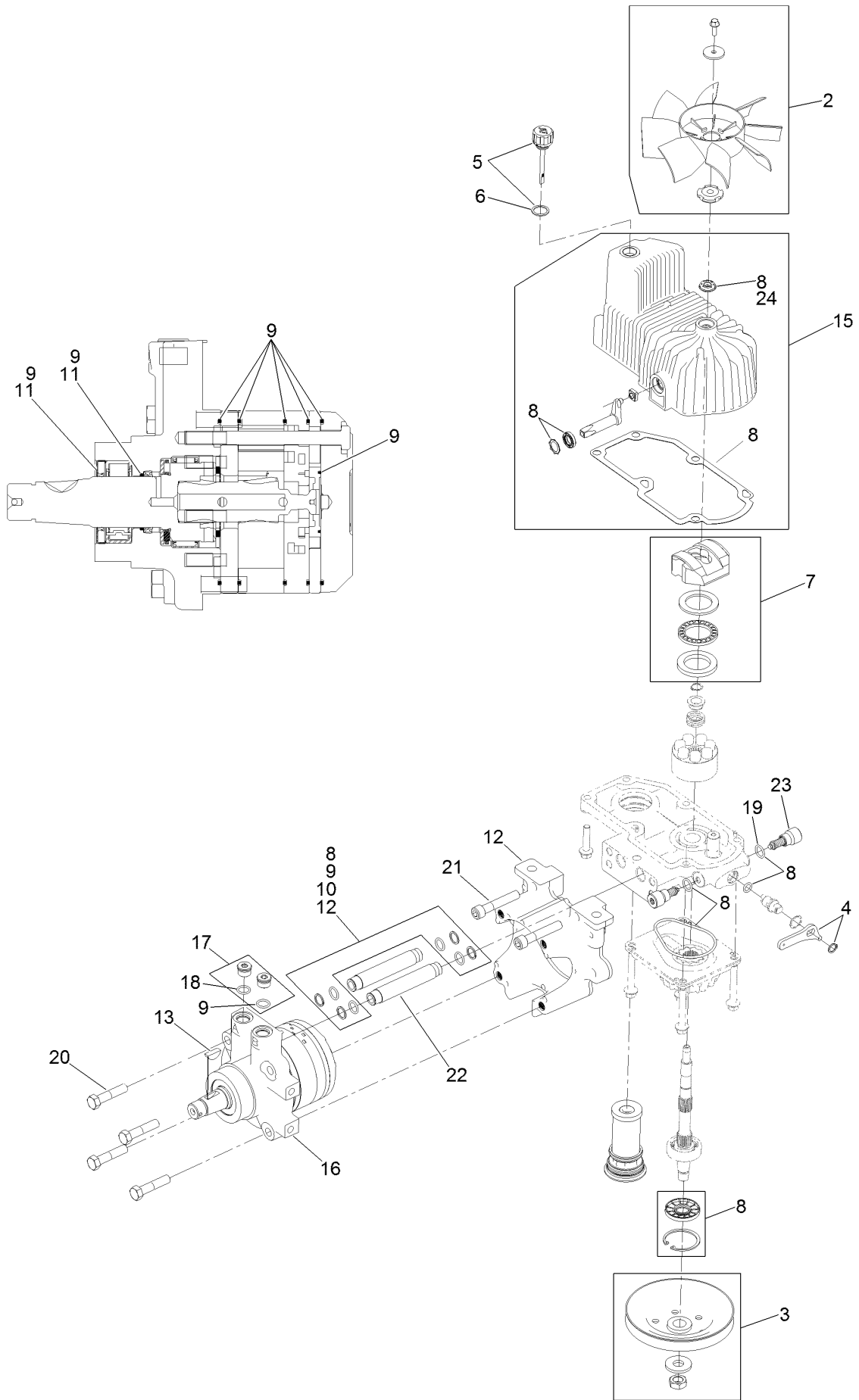
Pump Idler Assembly No. 116-1255



Pump Idler Assembly No. 116-1255 (continued)

<i>Ref.</i>	<i>Part Number</i>	<i>Qty.</i>	<i>Description</i>	<i>Ref.</i>	<i>Part Number</i>	<i>Qty.</i>	<i>Description</i>
2	43-0940	1	Spacer	8	323-8	1	Screw-HH
3	103-3504	2	Bearing-Spherical	9	32120-10	2	Ring-Snap
4	103-3505	1	Seal-Lip, Double	10	302-19	1	Fitting-Grease
5	103-3506	1	Seal-Lip, Single	11	109-8076	1	Pulley-Idler
6	109-6658	1	Nut-Flange, NI	12	132-4724	1	Pin-Anchor, Spring
7	106-7159	2	O-Ring				

LH Hydro Assembly No. 126-1323

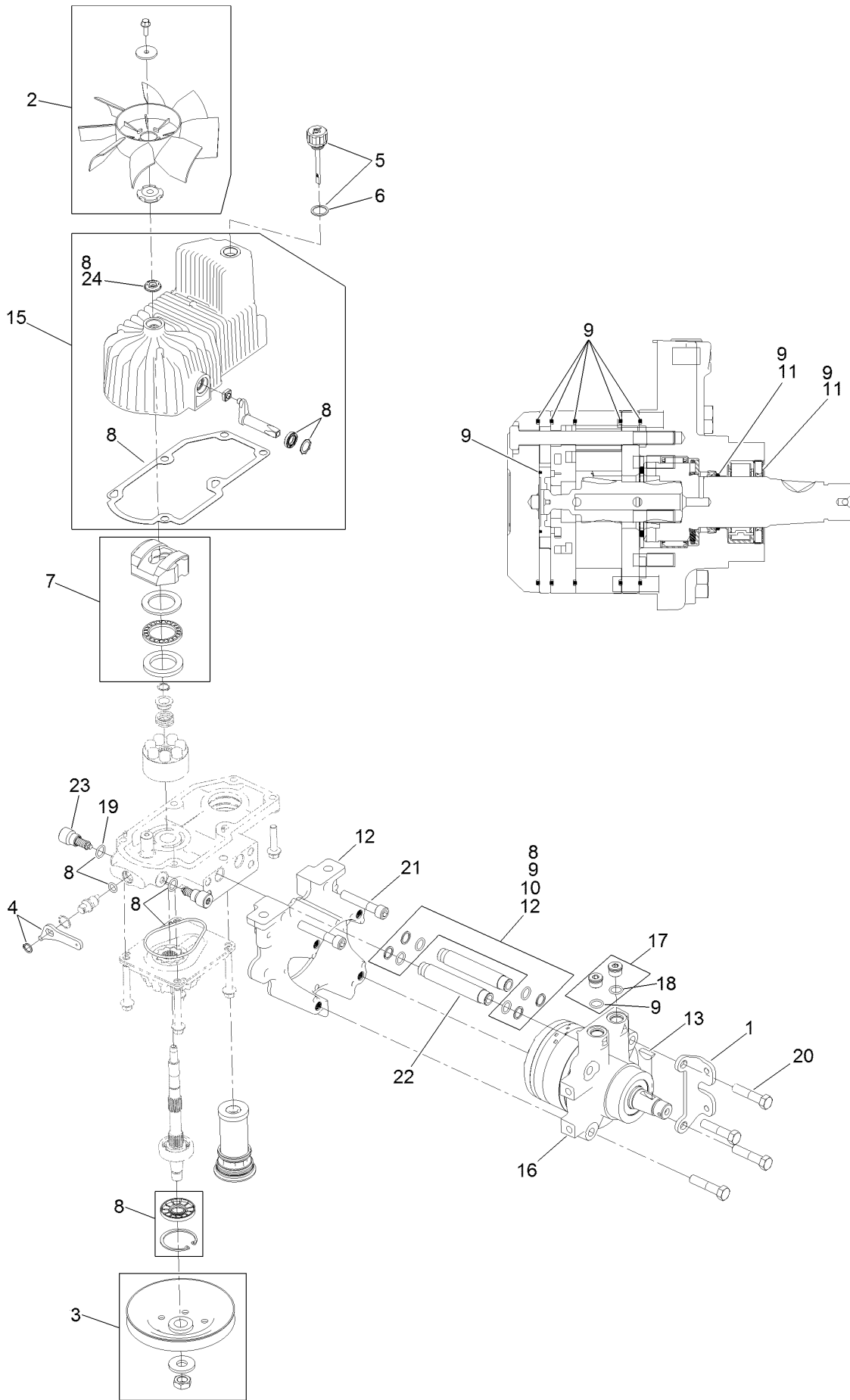


LH Hydro Assembly No. 126-1323 (continued)

<i>Ref.</i>	<i>Part Number</i>	<i>Qty.</i>	<i>Description</i>	<i>Ref.</i>	<i>Part Number</i>	<i>Qty.</i>	<i>Description</i>
2	116-0233	1	Fan Kit	15	116-3287	1	Housing-LH
3	116-0234	1	Pulley Kit	16	116-8915	1	Motor-Hydraulic
4	116-0235	1	Handle	17	116-7901	1	Magnetic Plugs Service Kit
5	116-0236	1	Dipstick	18	76-1900	2	O-Ring
6	116-0237	1	Gasket	19	116-8662	2	O-Ring-Valve, Check
7	116-1367	1	Swash Block Kit	20	116-8974	4	Screw HH
8	116-1368	1	Pump Seal Kit	21	116-8975	2	Screw-HSH
9	116-1369	1	Motor Seal Kit	22	116-9922	2	Hydraulic Tube Kit
10	116-1370	1	Tube Seal Kit	23	126-7466	2	Valve-Shock
11	116-1371	1	Output Shaft Seal Kit	24	126-7711	1	Seal-Drive, Fan
12	116-5469	1	Cup-Nose	99	116-1373	1	Flow Test Kit ●
13	3257-42	1	Key-Woodruff	99	116-4245	1	Puller-Pulley ●

● Not illustrated

RH Hydro Assembly No. 126-1324



RH Hydro Assembly No. 126-1324 (continued)

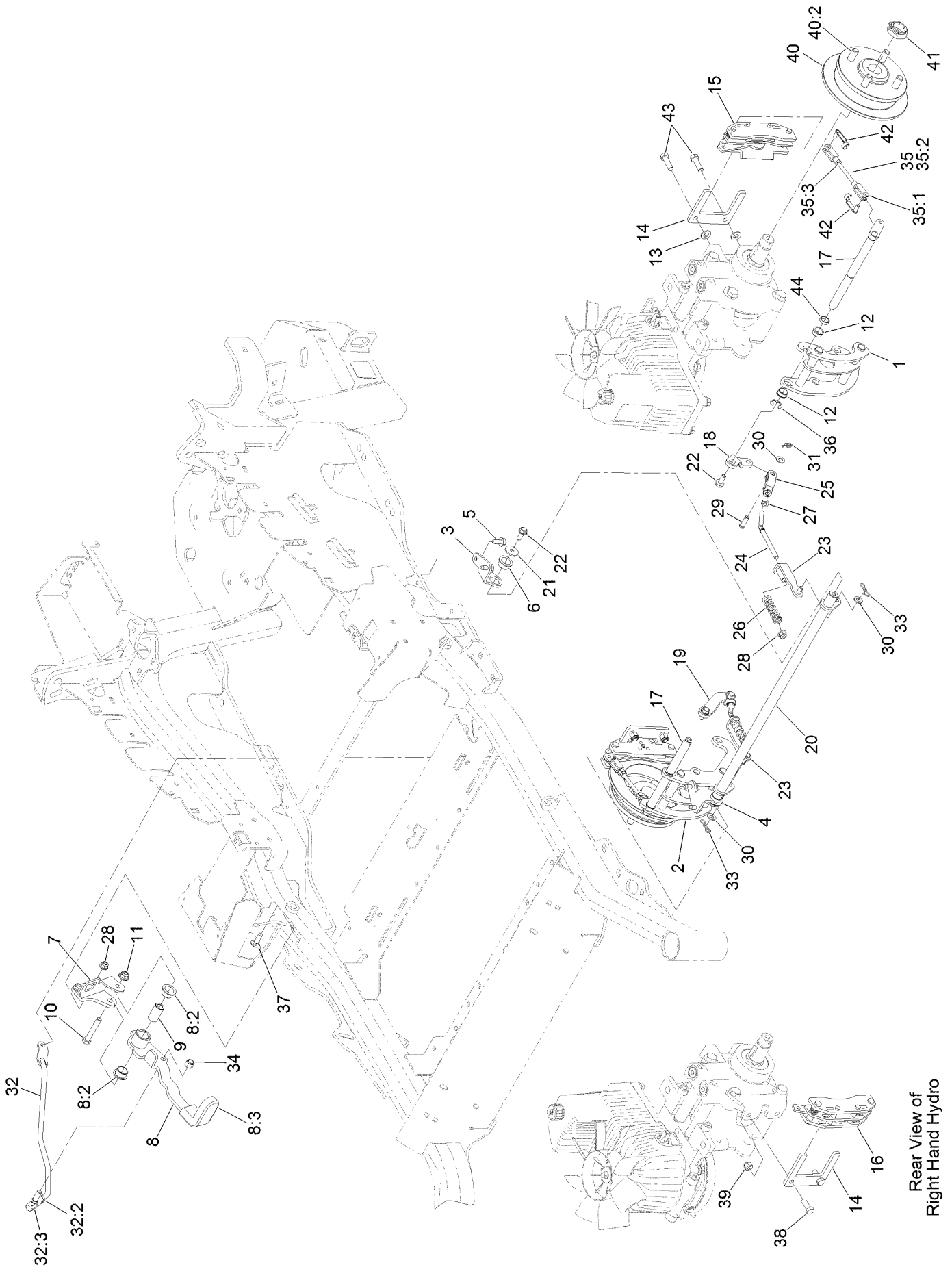
<i>Ref.</i>	<i>Part Number</i>	<i>Qty.</i>	<i>Description</i>	<i>Ref.</i>	<i>Part Number</i>	<i>Qty.</i>	<i>Description</i>
1	116-9063	1	Mount-Shoe, Horse	15	116-3288	1	Housing-RH
2	116-0233	1	Fan Kit	16	116-8916	1	Motor-Hydraulic RH 240Cc
3	116-0234	1	Pulley Kit	17	116-7901	1	Magnetic Plugs Service Kit
4	116-0235	1	Handle	18	76-1900	2	O-Ring
5	116-0236	1	Dipstick	19	116-8662	2	O-Ring-Valve, Check
6	116-0237	1	Gasket	20	116-8974	4	Screw HH
7	116-1367	1	Swash Block Kit	21	116-8975	2	Screw-HSH
8	116-1368	1	Pump Seal Kit	22	116-9922	2	Hydraulic Tube Kit
9	116-1369	1	Motor Seal Kit	23	126-7466	2	Valve-Shock
10	116-1370	1	Tube Seal Kit	24	126-7711	1	Seal-Drive, Fan
11	116-1371	1	Output Shaft Seal Kit	99	116-1373	1	Flow Test Kit ●
12	116-5469	1	Cup-Nose	99	116-4245	1	Puller-Pulley ●
13	3257-42	1	Key-Woodruff				

● Not illustrated

Rear Wheel Assembly (continued)

<i>Ref.</i>	<i>Part Number</i>	<i>Qty.</i>	<i>Description</i>	<i>Ref.</i>	<i>Part Number</i>	<i>Qty.</i>	<i>Description</i>
1	127-9520	2	Wheel And Tire ASM	2	242-50	8	Nut-Lug
1:1	127-9517	1	Wheel	3	126-2055	2	Decal-Torque, Wheel Hub Lug
1:2	1-633993	1	Tire				
1:3	232-27	1	Stem-Valve				

Park Brake Assembly

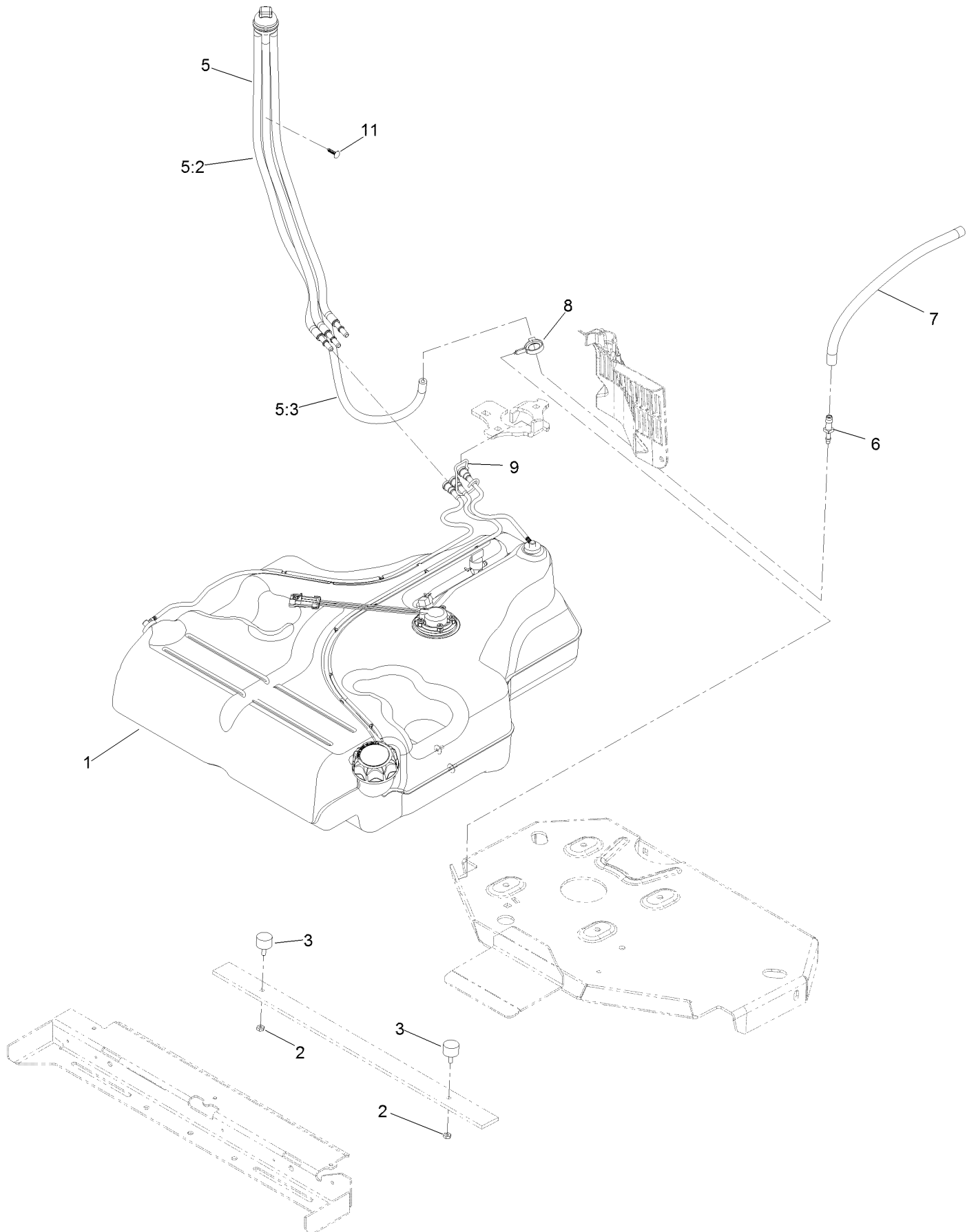


Rear View of
Right Hand Hydro

Park Brake Assembly (continued)

<i>Ref.</i>	<i>Part Number</i>	<i>Qty.</i>	<i>Description</i>	<i>Ref.</i>	<i>Part Number</i>	<i>Qty.</i>	<i>Description</i>
1	126-4248	1	Mount-Bellcrank, LH	25	126-3693	2	Yoke-Offset
2	126-4249	1	Mount-Bellcrank, RH	26	116-9085	2	Spring-Compression
3	116-9681	1	Mount-Pivot, LH	27	3220-2	2	Nut-Jam
4	116-9682	1	Mount-Pivot, RH	28	104-8300	4	Nut-HF, NI
5	32144-70	4	Screw-HWHTF	29	1-808280	2	Pin-Clevis
6	109-8054	2	Bushing-Flange	30	3256-23	4	Washer-Plain
7	116-9096-01	1	Bracket-Mount	31	116-6639	2	Pin-Cotter, Locking
8	132-9406	1	Brake Lever ASM W/ Grip	32	116-9102	1	Front Linkage ASM
8:2	109-8054	2	Bushing-Flange	32:2	94-7572	1	End-Tie Rod, RH
8:3	132-4749	1	Grip-Lever	32:3	3220-3	1	Nut-HJ
9	116-9117	1	Pivot-Handle, Brake	33	119-1415	2	Pin-Cotter, Locking
10	323-11	1	Screw-HH	34	3296-6	1	Nut-Lock
11	104-8301	1	Nut-HF, NI	35	126-7587	2	Rear Linkage ASM
12	126-6199	4	Bushing	35:1	126-7588	2	Yoke
13	3256-24	2	Washer-Flat	35:2	116-9069	1	Linkage, Rear
14	109-0958	2	Plate-Mount, Brake	35:3	3220-1	1	Nut-Jam
15	109-2889	1	Caliper-Brake	36	32120-19	2	E-Ring
16	116-9103	1	Caliper-Brake, RH	37	3230-2	2	Bolt-CARR
17	126-4251	2	Bellcrank	38	323-6	2	Screw-HH
18	126-3715	1	Arm-Inner, LH	39	3296-39	2	Nut-Lock, NI
19	126-3716	1	Arm-Inner, RH	40	116-1746	2	Wheel Hub ASM
20	116-9080	1	Shaft-Cross	40:2	116-1696	4	Stud-Wheel
21	115-7109	2	Washer-Flat	41	116-1399	2	Locknut
22	98-9940	4	Screw-HHF	42	126-6395	4	Pin-Clevis, Spring
23	116-9609	2	Bracket-L	43	92-5727	2	Screw-Lock, Patch
24	116-9086	2	Linkage-Mid	44	126-6200	2	Spacer

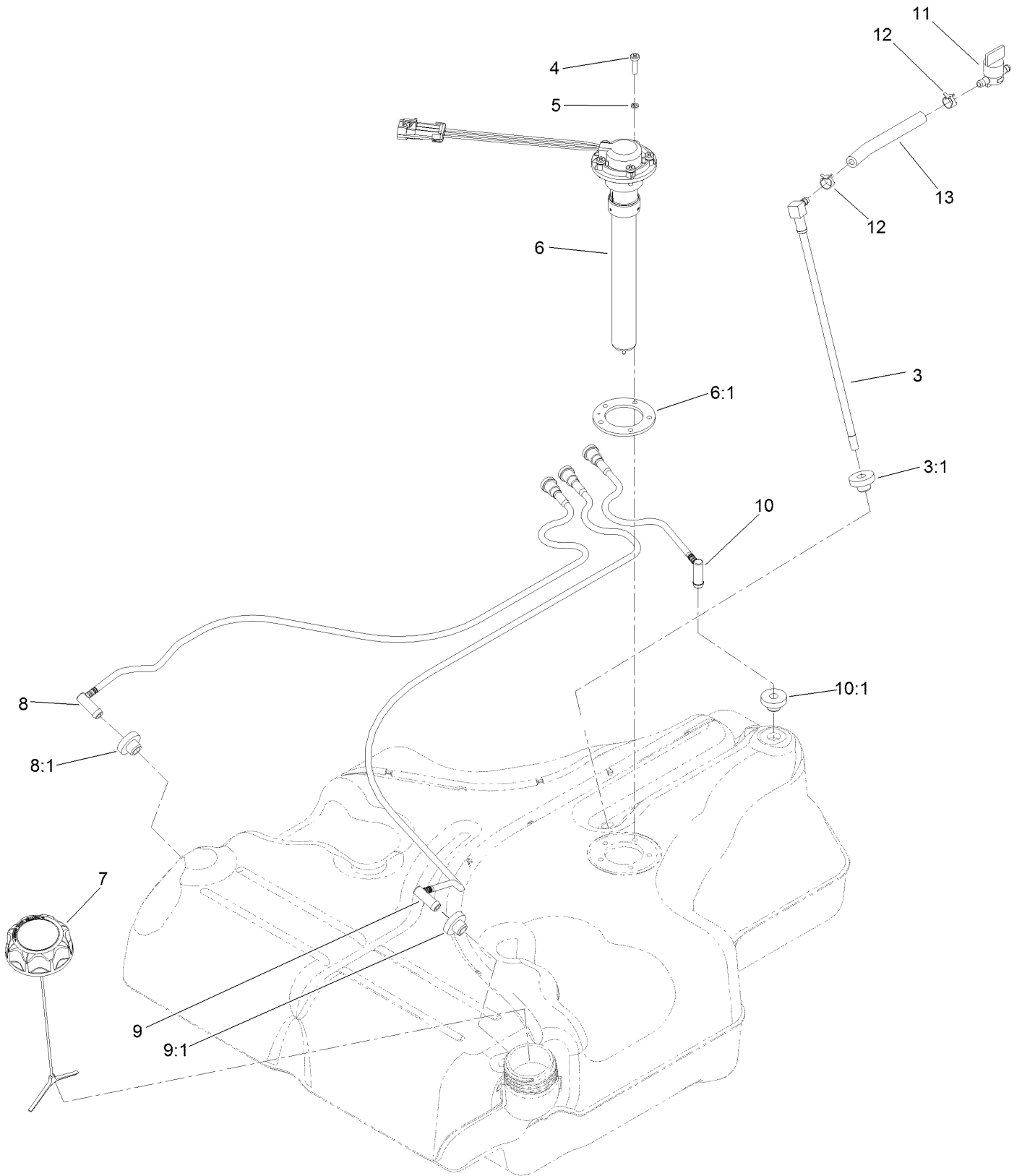
Fuel System Assembly



Fuel System Assembly (continued)

<i>Ref.</i>	<i>Part Number</i>	<i>Qty.</i>	<i>Description</i>	<i>Ref.</i>	<i>Part Number</i>	<i>Qty.</i>	<i>Description</i>
1	135-0643	1	Fuel Tank ASM	6	116-5072	1	Fitting-Straight
2	3218-1	2	Nut-Jam	7	116-5087	1	Hose-Fuel
3	1-523420	2	Bumper	8	105-1853	1	Clamp-Hose
5	127-0583	1	Fuel Manifold Vent ASM	9	116-6005	1	Retainer-Line, Vapor
5:2	109-0302	3	Hose-Fuel	11	125-8067	1	Plug-Plastic
5:3	108-5376	1	Hose-Fuel				

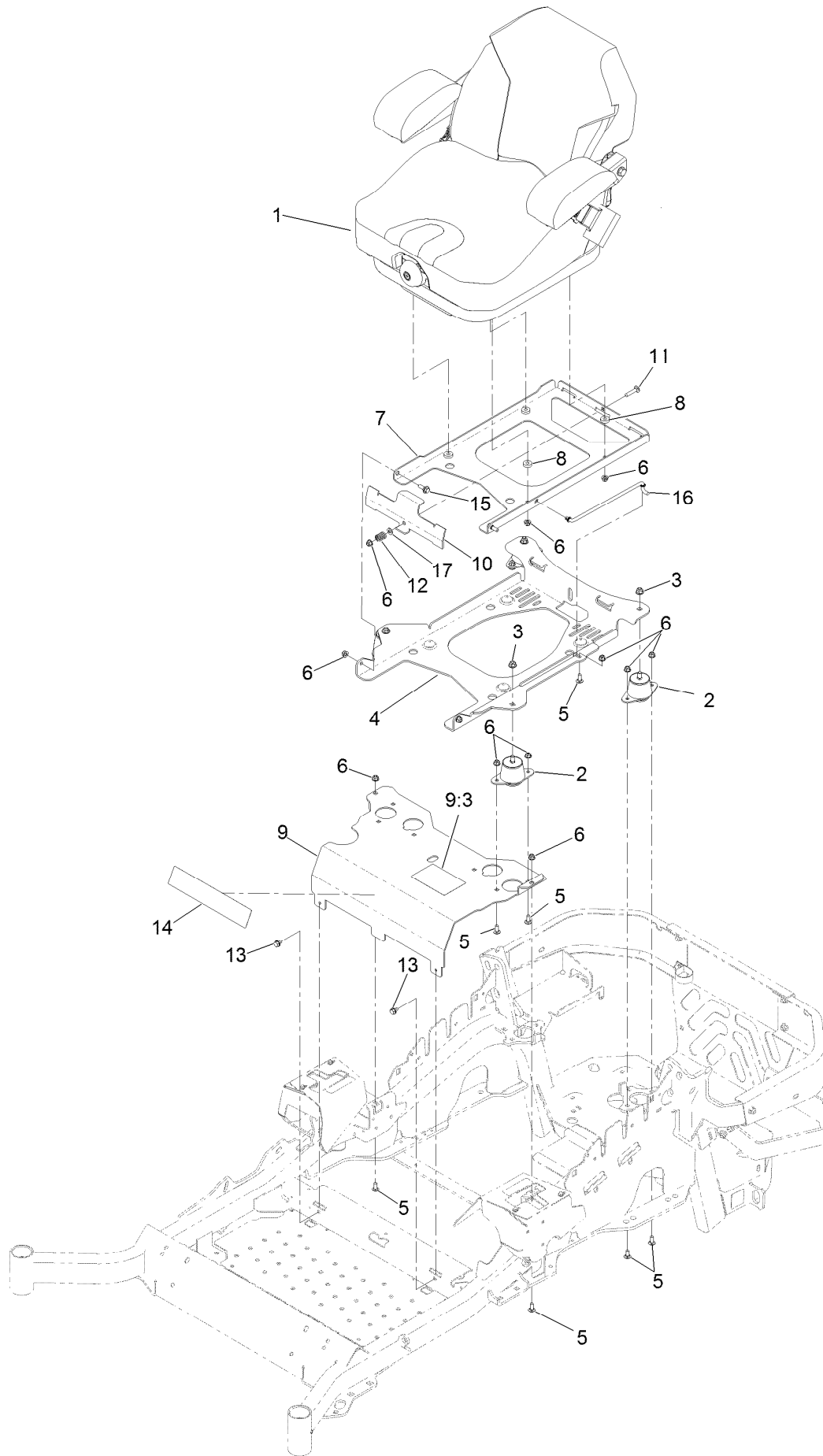
Fuel Tank Assembly No. 135-0643



Fuel Tank Assembly No. 135-0643 (continued)

<i>Ref.</i>	<i>Part Number</i>	<i>Qty.</i>	<i>Description</i>	<i>Ref.</i>	<i>Part Number</i>	<i>Qty.</i>	<i>Description</i>
3	116-2459	1	Fuel Line Kit (With Grommet)	8:1	46-6560	1	Bushing
3:1	46-6560	1	Bushing	9	116-2461	1	LH Vent Line Kit (With Grommet)
4	3290-500	5	Screw-PPH	9:1	46-6560	1	Bushing
5	3253-17	5	Washer-Lock	10	116-2462	1	Rear Vent Line Kit (With Grommet)
6	126-3913	1	Float-Sender, Fuel	10:1	46-6560	1	Bushing
6:1	126-3950	1	Gasket-Sender	11	1-603770	1	Valve-Fuel
7	126-1789	1	Cap-Fuel, Ratcheting	12	2412-98	2	Clamp-Hose
8	116-2460	1	RH Vent Line Kit (With Grommet)	13	109-0650	1	Hose-Fuel

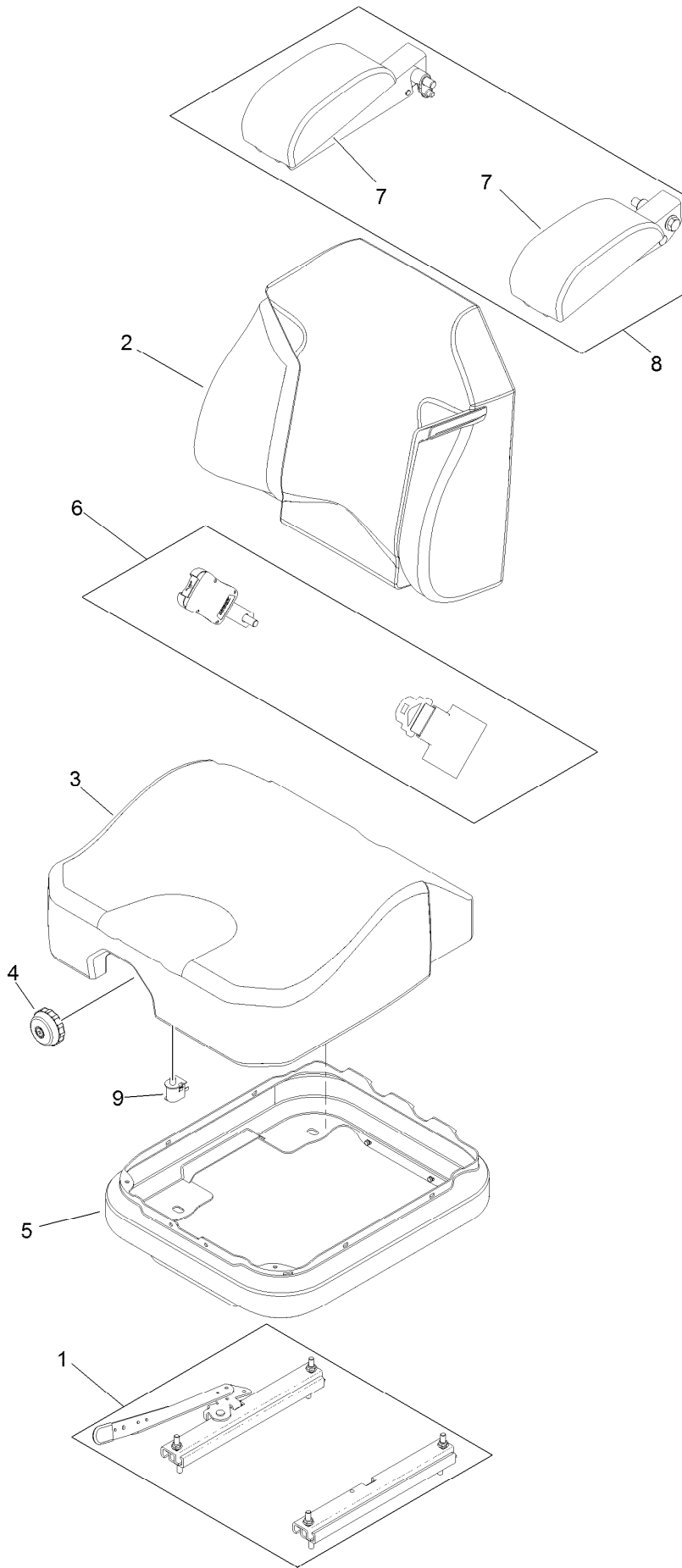
Seat Mounting Assembly



Seat Mounting Assembly (continued)

<i>Ref.</i>	<i>Part Number</i>	<i>Qty.</i>	<i>Description</i>	<i>Ref.</i>	<i>Part Number</i>	<i>Qty.</i>	<i>Description</i>
1	125-3107	1	Suspension Seat ASM	9:3	125-9383	1	Decal-Service Aid
2	109-9034	4	Isolator-Seat	10	109-9881-03	1	Plate-Latch, Seat
3	104-8301	4	Nut-HF, NI	11	3230-4	1	Bolt-CARR
4	116-3860-03	1	Plate-Tilt, Seat Support	12	107-3017	1	Spring-Compression
5	3230-23	11	Bolt-CARR	13	9266934	2	Screw
6	104-8300	18	Nut-HF, NI	14	119-2507	1	Decal
7	116-3859-03	1	Plate-Frame, Seat	15	116-1297	2	Screw-Shoulder
8	26-4840	4	Spacer-Pin, Mounting	16	116-0070	1	Rod-Prop
9	125-9385	1	Seat Mount ASM	17	3256-23	1	Washer-Plain

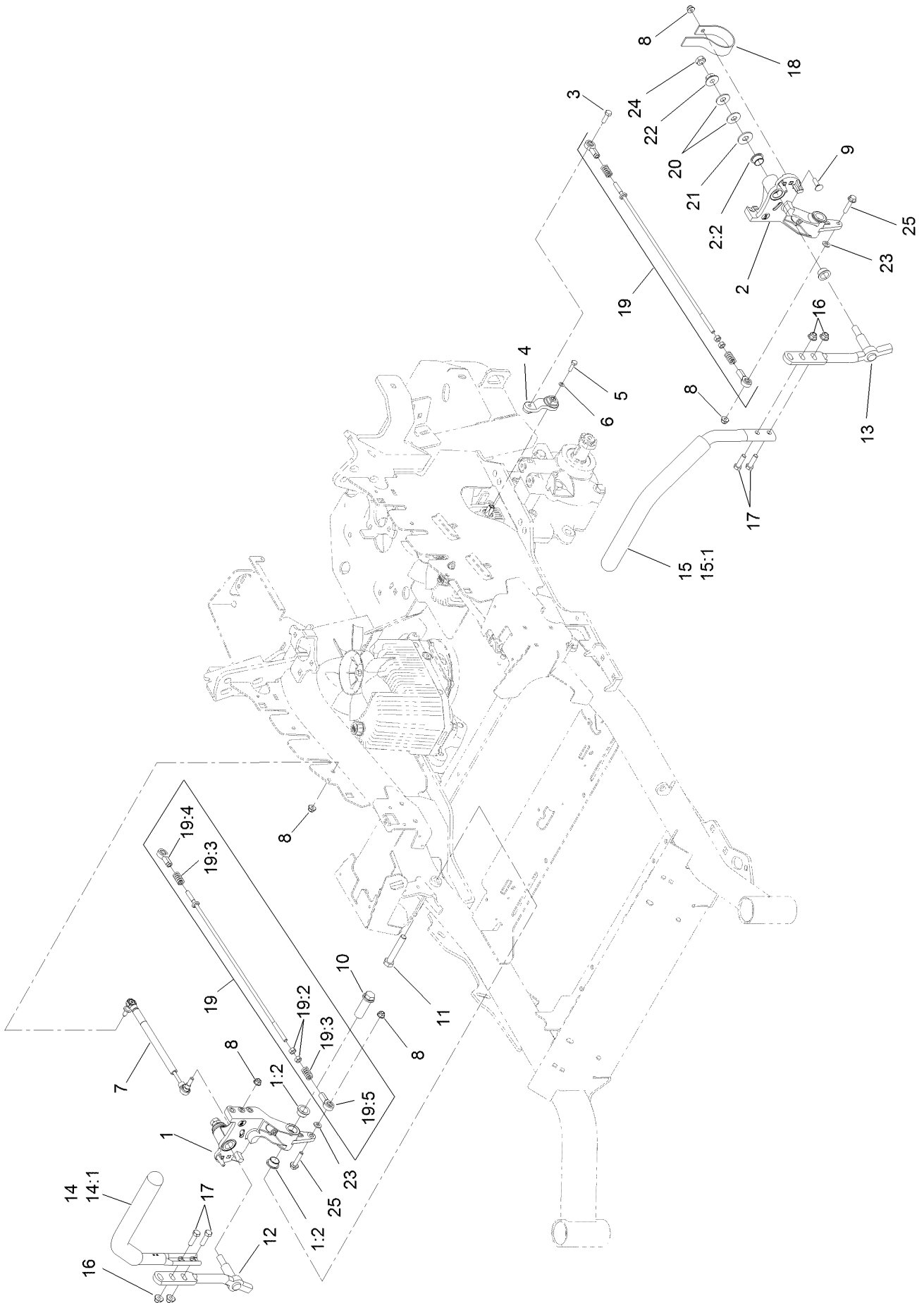
Seat Assembly No. 125-3107



Seat Assembly No. 125-3107 (continued)

<i>Ref.</i>	<i>Part Number</i>	<i>Qty.</i>	<i>Description</i>	<i>Ref.</i>	<i>Part Number</i>	<i>Qty.</i>	<i>Description</i>
1	116-8910	1	Seat Track Set	6	126-2061	1	Seat Belt Service Kit
2	125-3112	1	Cover-Back	7	109-9802	1	Arm Rest Pad Set
3	125-3111	1	Cover-Cushion	8	109-9803	1	Arm Rest Set
4	116-8911	1	Knob-Adjuster	9	82-2190	1	Switch-Bail
5	116-5659	1	Cover-Suspension Bellows				

Motion Control Assembly

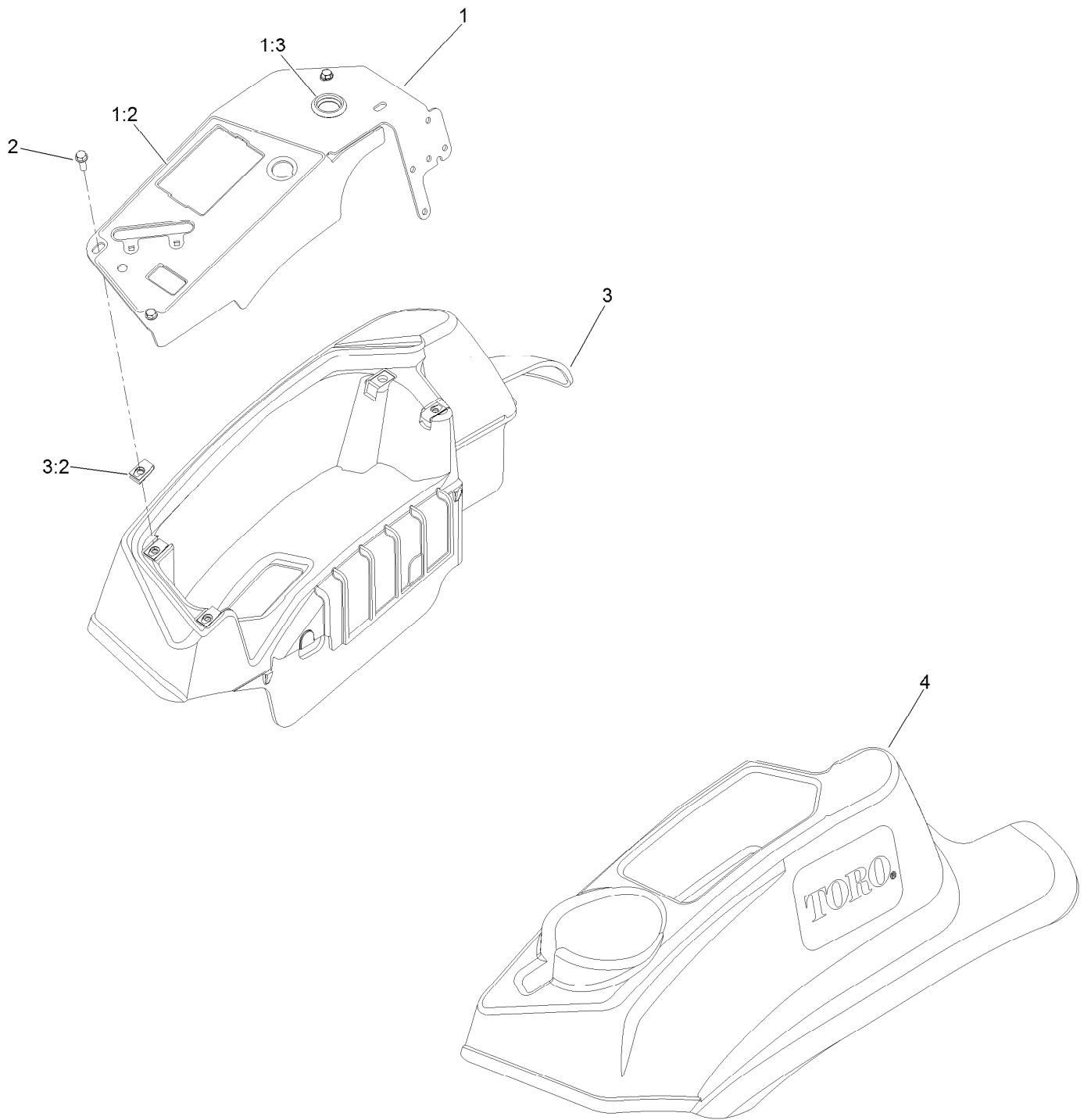


Motion Control Assembly (continued)

<i>Ref.</i>	<i>Part Number</i>	<i>Qty.</i>	<i>Description</i>	<i>Ref.</i>	<i>Part Number</i>	<i>Qty.</i>	<i>Description</i>
1	116-0880	1	RH Motion Control And Bushing ASM	14	109-6589	1	RH Steering Handle ASM
1:2	109-8054	4	Bushing-Flange	14:1	109-5668	1	Grip-Lever, Control
2	116-0881	1	LH Motion Control And Bushing ASM	15	109-6590	1	LH Steering Handle ASM
2:2	109-8054	4	Bushing-Flange	15:1	109-5668	1	Grip-Lever, Control
3	116-0648	2	Screw-HH, Thread Locking ●	16	104-8301	4	Nut-HF, NI
4	109-4581	2	Arm-Control, Pump	17	323-7	4	Screw-HH
5	9080046	2	Screw-HH ●	18	109-5575	2	Spring-Leaf
6	1-303435	2	Washer-Spring	19	109-8106	2	Front Pump Linkage ASM
7	116-0027	2	Damper-Control, Motion	19:2	3219-2	2	Nut-Hex
8	104-8300	8	Nut-HF, NI	19:3	1-323245	2	Spring-Compression
9	3230-2	2	Bolt-CARR	19:4	1-633152	1	Balljoint-LH
10	109-5891	2	Hub-Threaded	19:5	1-543017	1	Balljoint-RH
11	325-12	2	Screw-HH	20	109-9505	4	Washer-Spring
12	116-0039	1	Lever-Control Motion, RH	21	3256-6	2	Washer-Flat
13	116-0040	1	Lever-Control Motion, LH	22	32128-56	2	Nut-HF
				23	3256-23	2	Washer-Plain
				24	3218-5	2	Nut-Jam
				25	115-1794	2	Screw-HHF

● Use Pro-Lock, Nut Type (P/N 1-840022, .5ml tube) on threads.

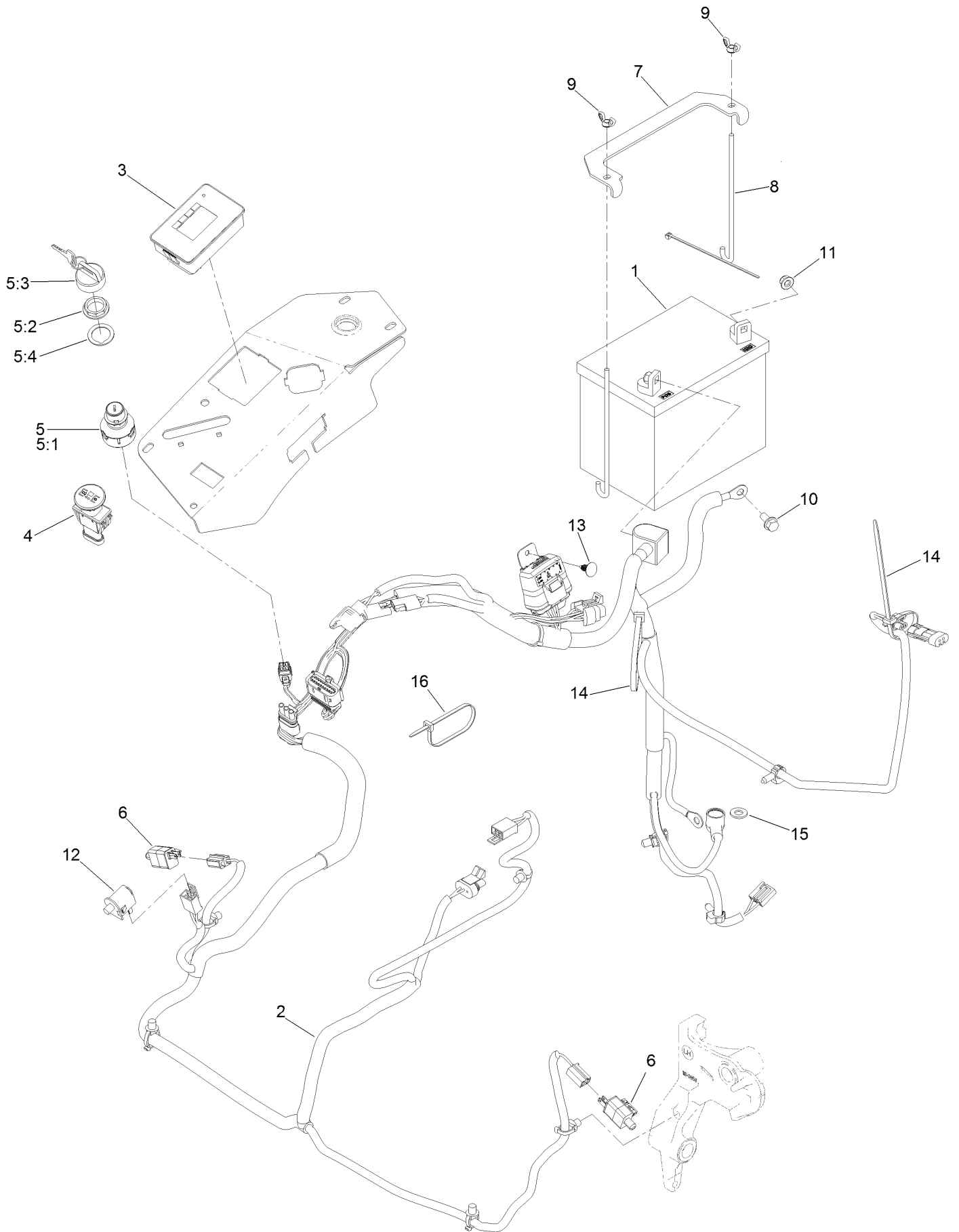
Control Console Assembly



Control Console Assembly (continued)

<i>Ref.</i>	<i>Part Number</i>	<i>Qty.</i>	<i>Description</i>	<i>Ref.</i>	<i>Part Number</i>	<i>Qty.</i>	<i>Description</i>
1	137-9200	1	Control Panel ASM	3	119-2603	1	RH Console ASM
1:2	137-9208	1	Decal-Panel, Control	3:2	107069	4	Clip
1:3	116-1875	1	Plug-Plastic	4	119-2602	1	Console-LH
2	32105-15	4	Screw-HWH				

Electrical Assembly

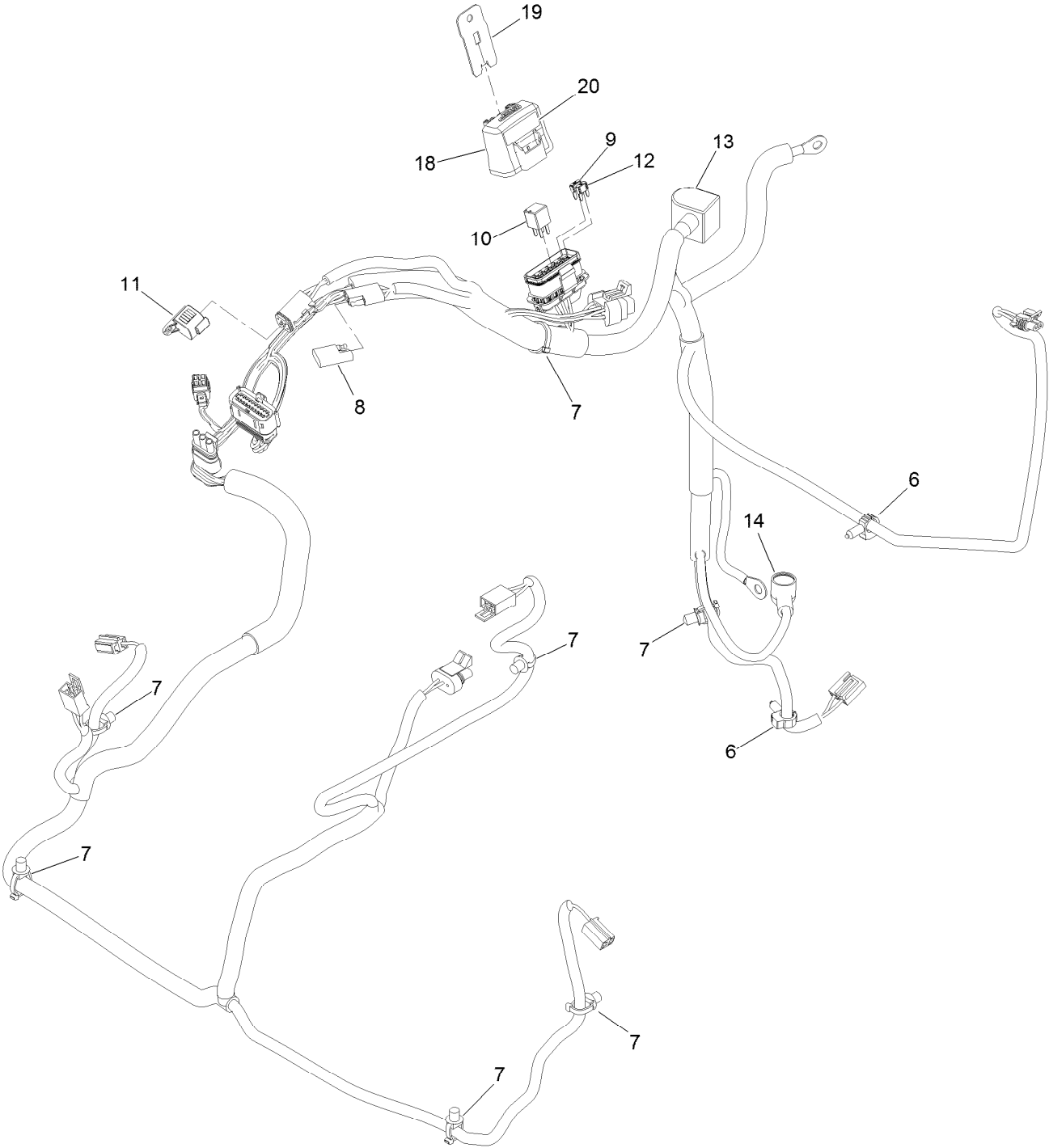


Electrical Assembly (continued)

<i>Ref.</i>	<i>Part Number</i>	<i>Qty.</i>	<i>Description</i>	<i>Ref.</i>	<i>Part Number</i>	<i>Qty.</i>	<i>Description</i>
1	104-8162	1	Battery	7	116-0042-03	1	Strap-Tie Down, Battery
2	126-5875	1	Wire Harness ASM	8	1-633651	2	Bolt-Holddown
3	135-2471	1	Meter-Hour	9	1-543792	2	Wingnut
4	126-6187	1	Switch-PTO, Sealed	10	3234-5	2	Screw-HHF
5	126-6285	1	Ignition Switch ASM	11	104-8300	2	Nut-HF, NI
5:1		1	Switch-Ignition ●	12	82-2190	1	Switch-Bail
5:2	108-8660	1	Nut-Mounting	13	117-2382	1	Plug-Plastic
5:3	106-5270	1	Ignition Key Set	14	1-303335	2	Tie-Plastic
5:4	108-8659	1	Washer-Backup	15	3256-24	1	Washer-Flat
6	110-6765	2	Switch	16	1-303287	1	Tie-Cable

● Not serviced separately

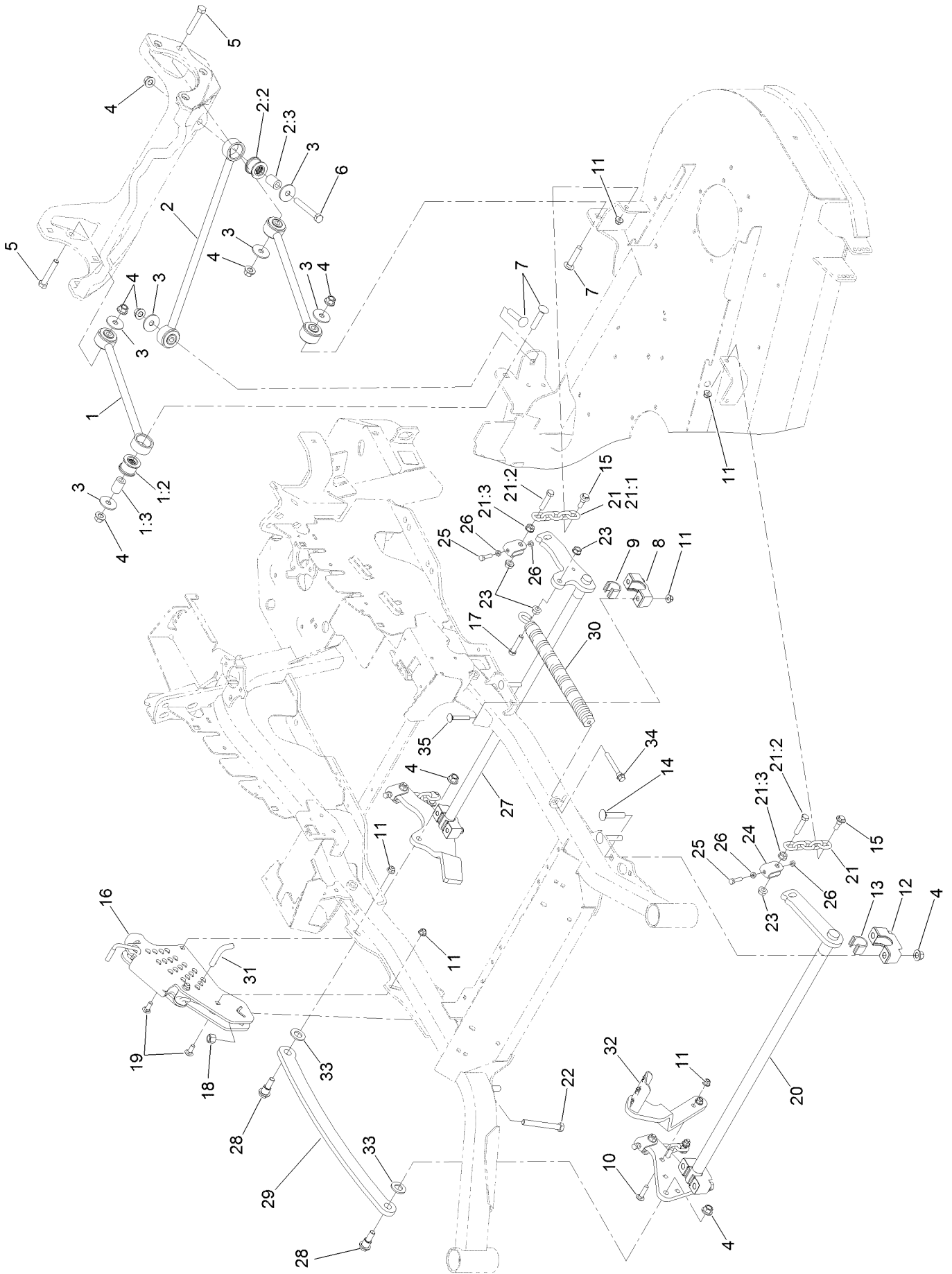
Wire Harness Assembly No. 126-5875



Wire Harness Assembly No. 126-5875 (continued)

<i>Ref.</i>	<i>Part Number</i>	<i>Qty.</i>	<i>Description</i>	<i>Ref.</i>	<i>Part Number</i>	<i>Qty.</i>	<i>Description</i>
6	32180-037	3	Clip-Harness	12	121-8867	1	Fuse-Mini Blade, 15 Amp
7	32180-030	6	Clip-Tie	13	126-8876	1	Insulator-Battery
8	32180-197	1	Cap-Plug	14	1-543393	1	Insulator-Solenoid
9	121-8868	1	Fuse-Mini Blade, 20 Amp	18	32180-176	1	Cover-Block, Fuse
10	126-3991	1	Relay-Micro	19	32180-177	1	Clip-Mounting
11	32180-156	1	Cap-Plug, 6 Way	20	126-7875	1	Decal-Fuse

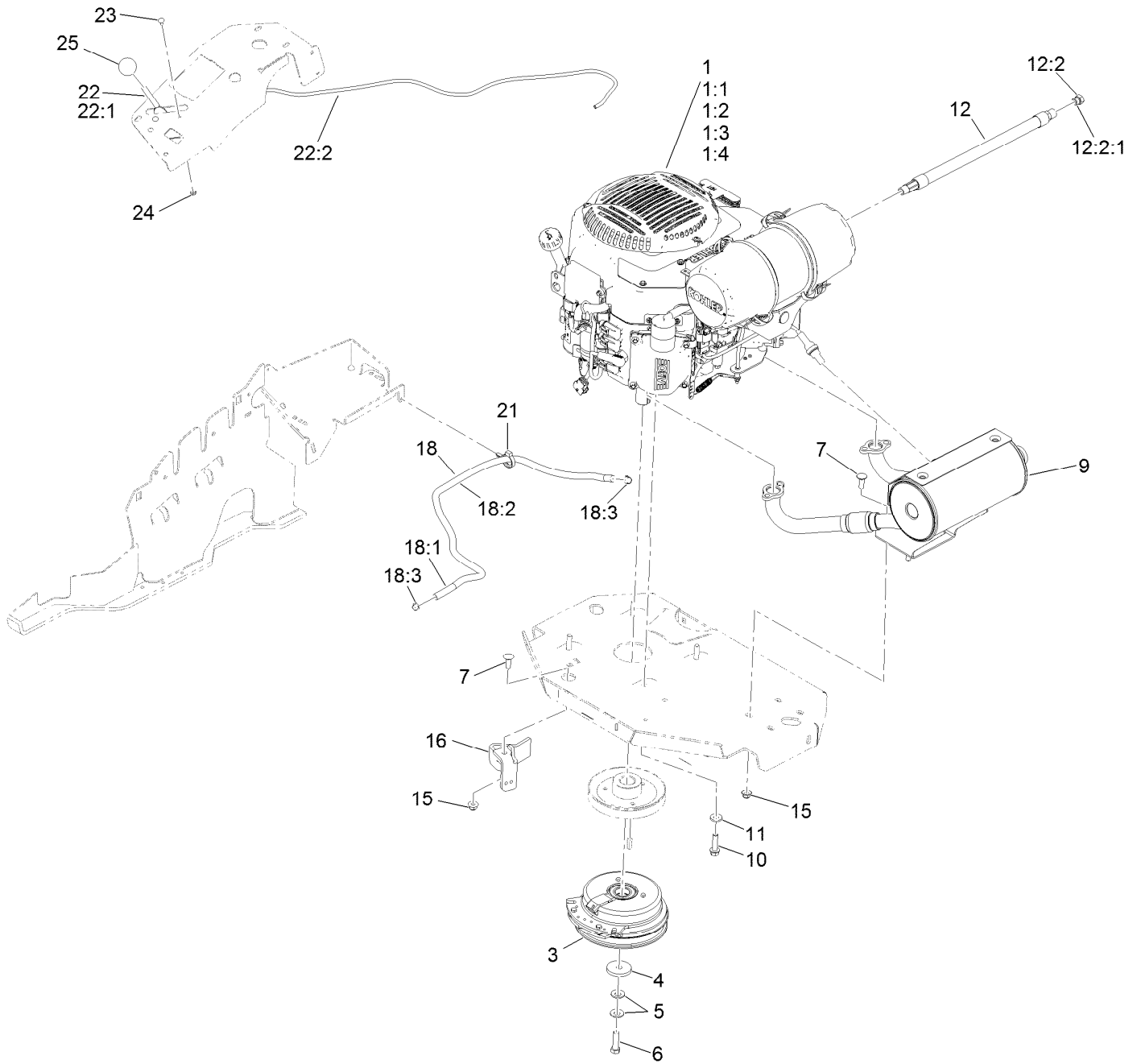
Deck Lift Assembly



Deck Lift Assembly (continued)

<i>Ref.</i>	<i>Part Number</i>	<i>Qty.</i>	<i>Description</i>	<i>Ref.</i>	<i>Part Number</i>	<i>Qty.</i>	<i>Description</i>
1	109-7952	2	Deck Strut ASM	16	109-7438	1	HOC ASM
1:2	109-5009	2	Bushing-Suspension, Rubber	17	109-9065	1	Screw-HH
1:3	109-5010	2	Spacer	18	3296-23	1	Nut-Lock, NI
2	109-5013	1	Panhard Rod ASM	19	3231-2	2	Bolt-CARR
2:2	109-5009	2	Bushing-Suspension, Rubber	20	126-2475-03	1	Decklift-Front
2:3	109-5010	2	Spacer	21	116-0756	4	Deck Lift Chain ASM
3	86-1990	6	Washer-Thrust	21:1	1-633447	1	Chain-Lift, Deck
4	99-5107	12	Nut-Lock	21:2	109-9065	1	Screw-HH
5	325-12	2	Screw-HH	21:3	32128-37	1	Nut-HF
6	325-17	1	Screw-HH	22	116-0559	1	Bolt-TAP
7	3233-34	3	Screw-CARR	23	32128-37	6	Nut-HF
8	127-0553	2	Support-Bearing, Cross Shaft (Rear)	24	109-9066	4	Yoke-Adjust, Deck
9	109-7173	2	Bearing-Cross Shaft, Rear	25	322-47	4	Screw-HH
10	3231-4	2	Screw-CARR	26	3218-2	8	Nut-Hex Jam
11	104-8301	12	Nut-HF, NI	27	116-0459-03	1	Lift-Deck, Rear
12	109-9409	2	Support-Bearing, Cross Shaft (Front)	28	116-0780	2	Screw-Shoulder, HHF
13	109-9410	2	Bearing-Cross Shaft, Front	29	116-0797-03	1	Link-Lift, Deck
14	116-1700	4	Bolt-CARR	30	116-0000	1	Spring-Extension
15	109-9840	4	Screw-Shoulder, HHF	31	116-5584	1	Pin-HOC
				32	116-1919-01	1	Lever-Foot
				33	3256-28	2	Washer-Flat
				34	92-7674	1	Bolt-Shoulder
				35	3231-7	4	Screw-CARR

Engine, Clutch and Muffler Assembly



Engine, Clutch and Muffler Assembly (continued)

<i>Ref.</i>	<i>Part Number</i>	<i>Qty.</i>	<i>Description</i>	<i>Ref.</i>	<i>Part Number</i>	<i>Qty.</i>	<i>Description</i>
1		1	Engine-Kohler Ecv740-3059 ▲◆	11	98-5975	4	Washer-Belleville
1:1		1	Kohler 52 050 02-S Engine Oil Filter ▲◆	12	116-5316	1	Oil Drain Hose ASM ■
1:2		1	Kohler 25 083 01-S Engine Air Filter ▲◆	12:2	353-508	1	Plug-HH ●
1:3		1	Kohler 25 083 04-S Safety Filter ▲◆	12:2:1	237-42	1	O-Ring
1:4		1	Kohler 25 050 42-S Fuel Filter ▲◆	15	104-8301	5	Nut-HF, NI
3	116-1620	1	Clutch Kit	16	116-2612-01	1	Clutch-Anchor
4	109-6919	1	Washer-Clutch	18	117-3893	1	Fuel Line ASM
5	1-603610	2	Washer-Spring	18:1	109-0273	1	Hose-Fuel
6	109-9761	1	Screw-HH □	18:2	117-3892	1	Sleeve-Thermal
7	3231-22	5	Screw-CARR	18:3	2412-98	2	Clamp-Hose
9	142-2899	1	Kit,Muffler	21	105-1853	1	Clamp-Hose
10	32144-102	4	Screw-HWH	22	115-2752	1	Throttle Control ASM
				22:1	112-2334	1	Lever-Throttle
				22:2	115-3868	1	Cable-Throttle
				23	1-807513	2	Bolt-CARR
				24	3296-2	2	Nut-Lock, NI
				25	1-603175	1	Knob-Ball

● Torque to 24-26 ft-lb

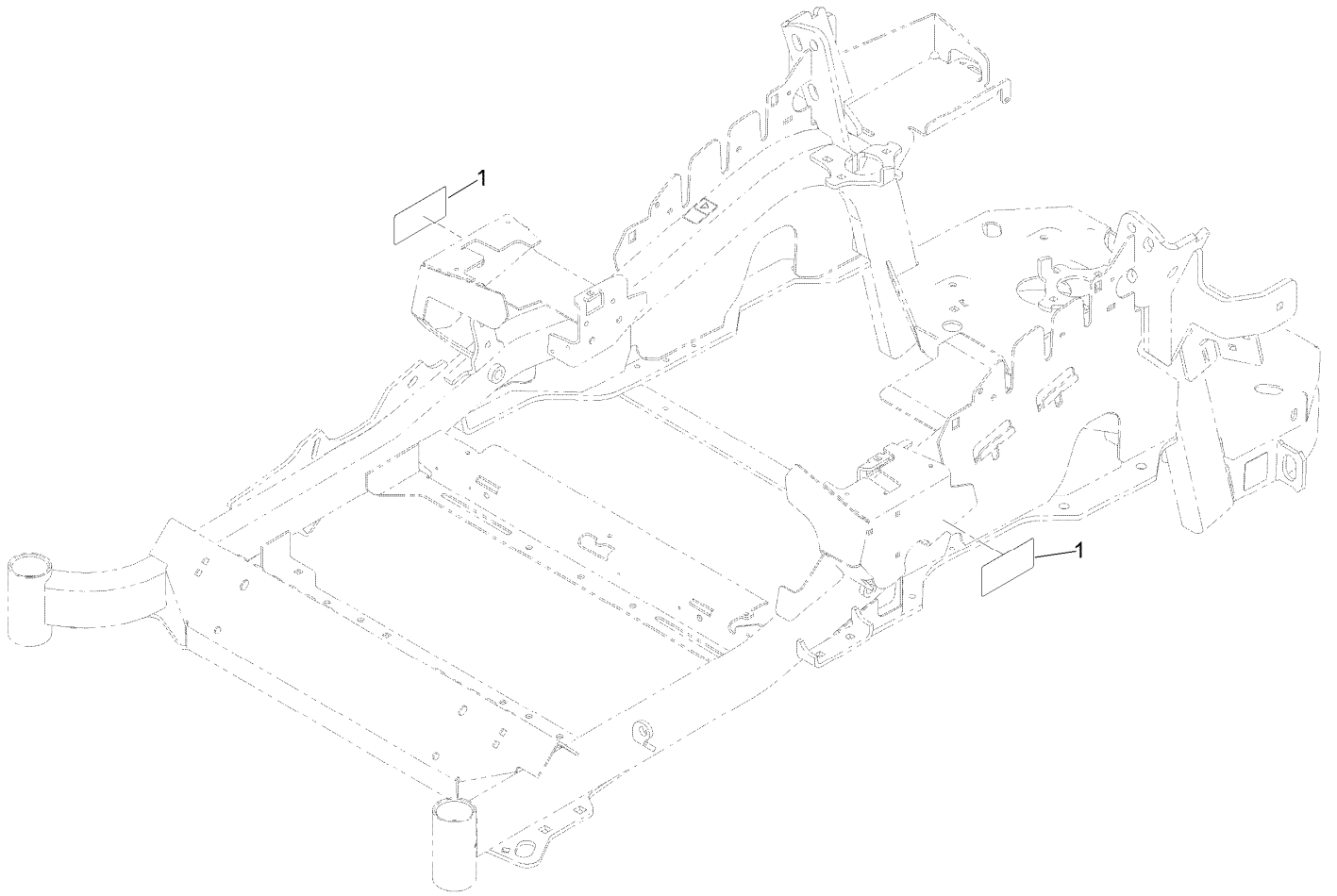
▲ Not serviced separately

□ Use Pro-Lock, Nut Type (P/N 1-840022, .5ml tube) on threads.

■ Torque to 17-23 ft-lb

◆ Obtain parts from www.kohlerplus.com

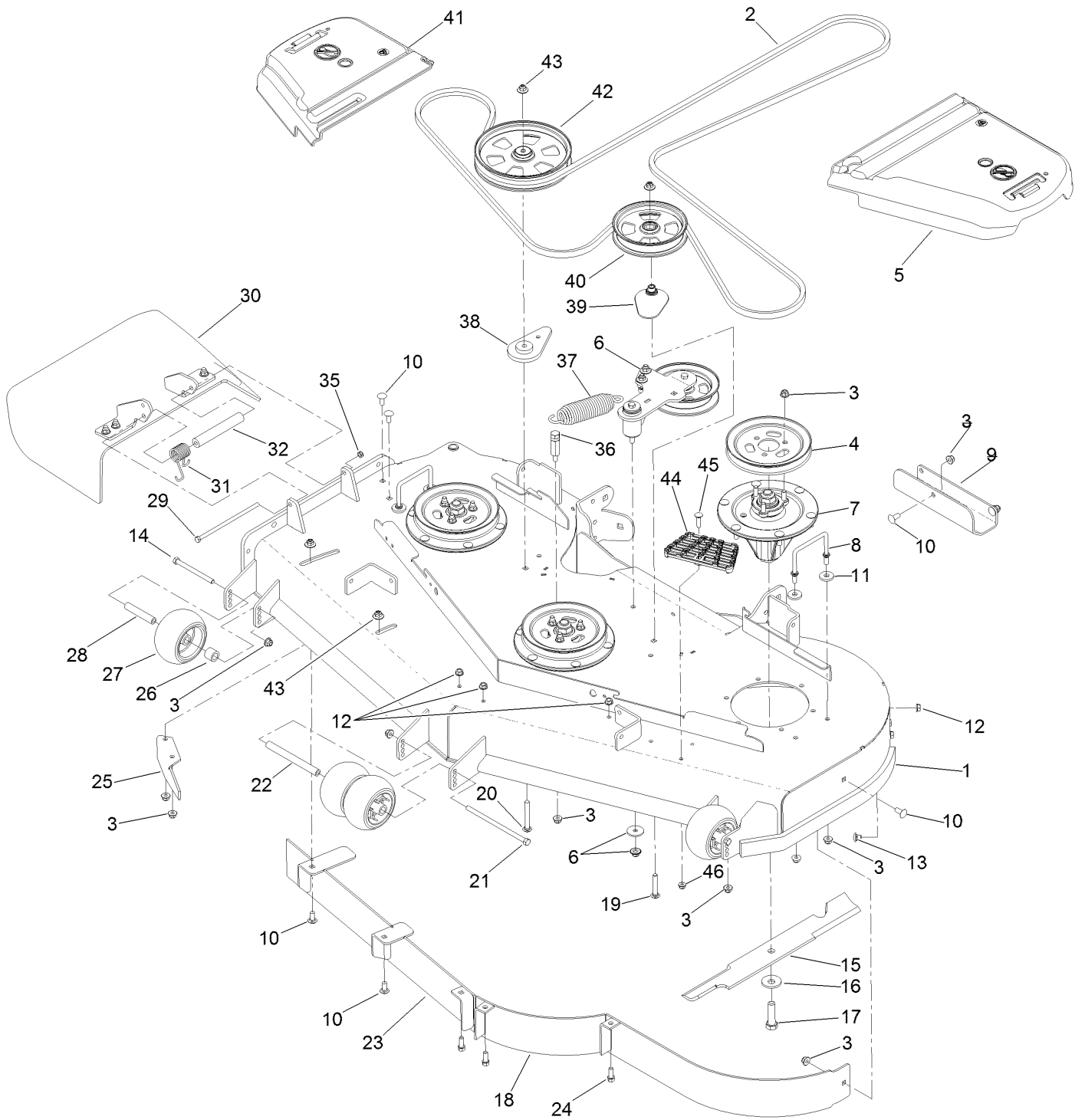
Frame Decal Assembly



Frame Decal Assembly (continued)

<i>Ref.</i>	<i>Part Number</i>	<i>Qty.</i>	<i>Description</i>
1	120-5894	2	Decal

Deck Assembly

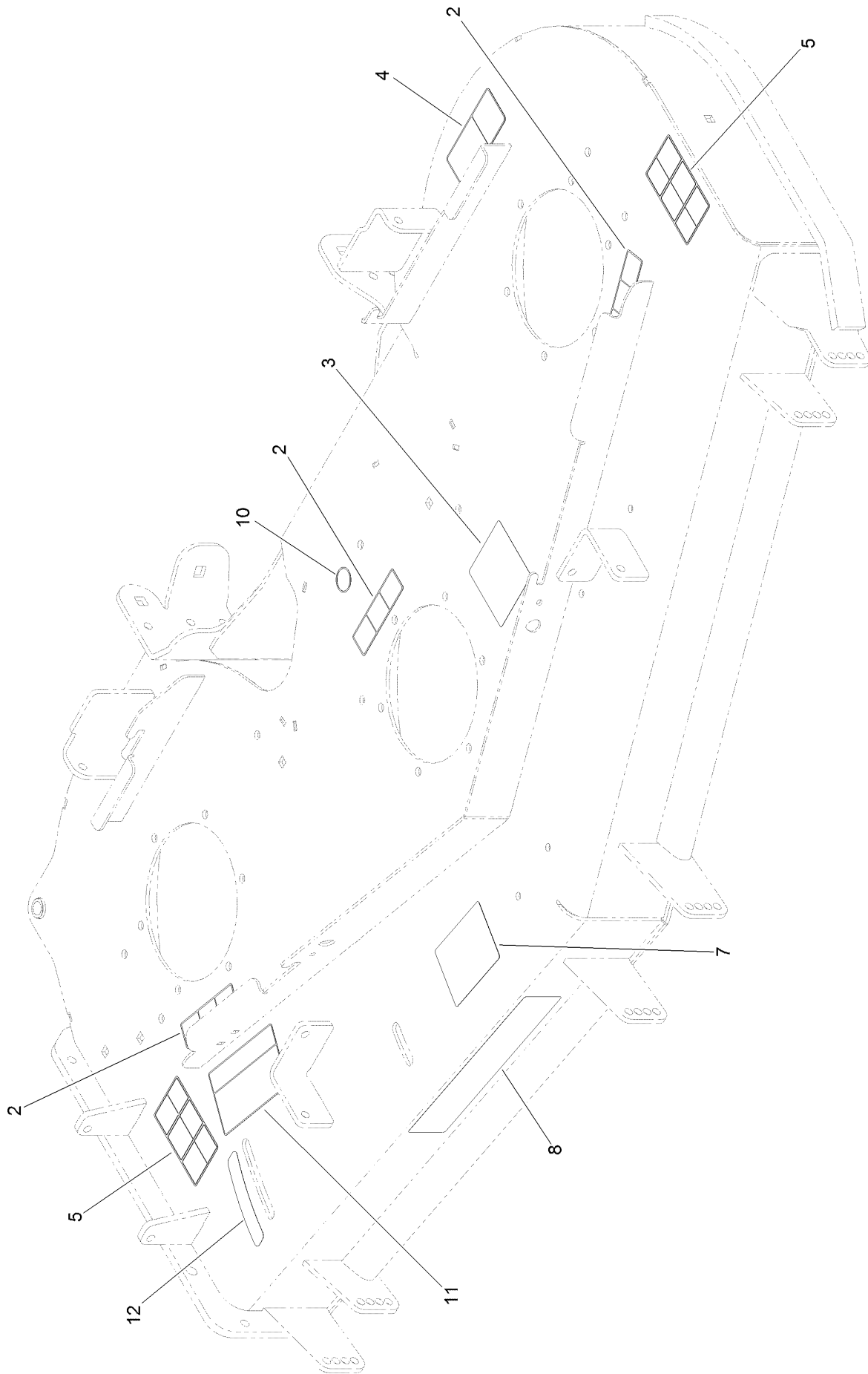


Deck Assembly (continued)

<i>Ref.</i>	<i>Part Number</i>	<i>Qty.</i>	<i>Description</i>	<i>Ref.</i>	<i>Part Number</i>	<i>Qty.</i>	<i>Description</i>
1	114-5815	1	Deck Decal ASM	23	115-7465-01	1	Baffle
2	114-5858	1	Belt-V	24	92-1624	3	Screw-HWH Thd Form
3	104-8301	42	Nut-HF, NI	25	106-3216-01	1	Baffle-Discharge
4	105-7734	3	Pulley	26	98-7913	2	Tube-Spacer
5	109-6938	1	Cover-Belt, LH	27	1-603299	4	Roller-Scalp, Anti
6		1	Idler Arm ASM ●	28	98-7912	2	Tube-Spanner
7	127-0560	3	Spindle ASM	29	322-50	1	Screw-HH
8	109-6982	2	Wireform-Cover	30	108-2792	1	Rubber Deflector ASM
9	121-8031-01	1	Plate-Skid	31	108-4052	1	Spring-Torsion
10	3231-27	9	Screw-CARR	32	105-4622	1	Spacer
11	1-373034	4	Washer	35	3296-47	1	Nut-Lock,NI
12	3290-357	6	Nut-HSF	36	114-5867	1	Anchor-Spring, Tall
13	108-5387	3	Screw-CARR	37	116-6317	1	Spring-Extension
14	323-23	2	Screw-HH	38	109-9416	1	Spacer-Idler
15	105-7718-03	3	Blade-Hi Flow	39	109-2872	1	Spacer-Pulley
16	103-0865	3	Washer-Blade Bolt, Heavy	40	136-5404	1	Pulley-Idler, Flat
17	51-4060	3	Screw-Blade	41	116-0094	1	Cover-Belt, RH
18	114-5842-01	1	Baffle	42	132-4734	1	Pulley-Idler,Flat
19	3231-40	1	Bolt-CARR	43	109-6658	4	Nut-Flange, NI
20	3231-42	1	Screw-CARR	44	126-4781-03	1	Step-Deck
21	108-5388	1	Screw-HH	45	3230-3	1	Screw-CARR
22	98-5967	1	Spacer-Wheel	46	104-8300	1	Nut-HF, NI

● Not serviced separately

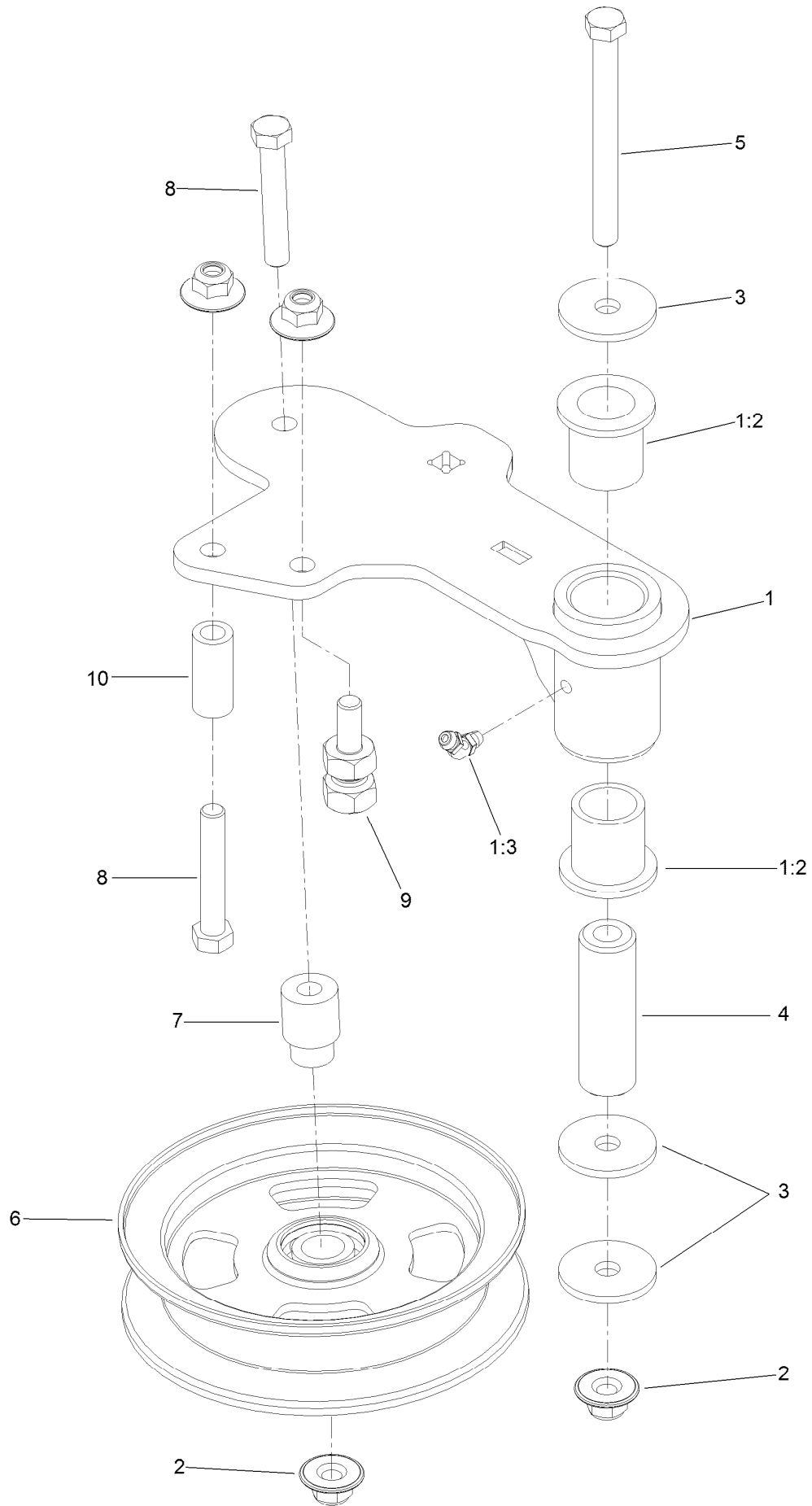
Deck Decal Assembly No. 114-5815



Deck Decal Assembly No. 114-5815 (continued)

<i>Ref.</i>	<i>Part Number</i>	<i>Qty.</i>	<i>Description</i>	<i>Ref.</i>	<i>Part Number</i>	<i>Qty.</i>	<i>Description</i>
2	112-9028	3	Decal-Cover, Missing	8	107-1619	1	Decal
3	136-5508	1	Decal-Routing, Deck Belt	10	58-6520	1	Decal-Grease
4	93-7818	1	Decal-Torque, Blade Bolt	11	110-2068	1	Decal-Adjustment, Baffle
5	117-3848	2	Decal-Danger	12	110-2067	1	Decal-Setting, Baffle
7	127-0326	1	Decal-Scalp, Anti				

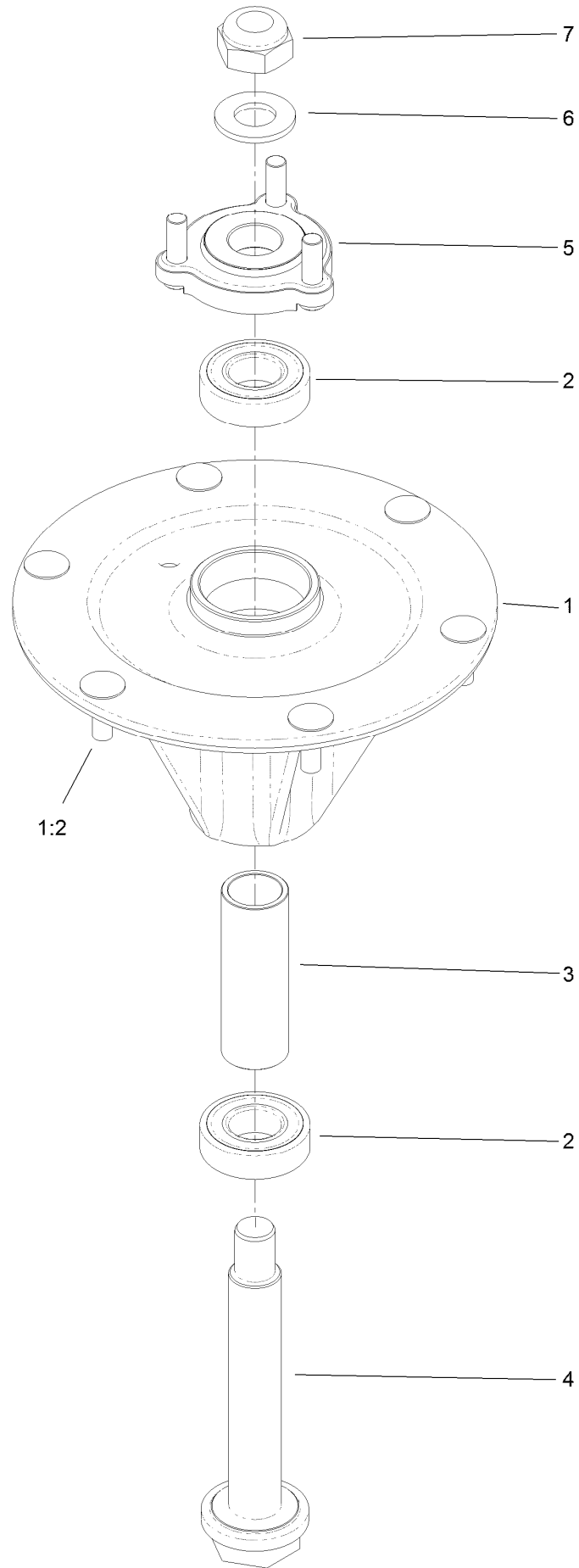
Idler Arm Assembly



Idler Arm Assembly (continued)

<i>Ref.</i>	<i>Part Number</i>	<i>Qty.</i>	<i>Description</i>	<i>Ref.</i>	<i>Part Number</i>	<i>Qty.</i>	<i>Description</i>
1	114-5870	1	Idler Arm ASM	5	98-5961	1	Screw-HH
1:2	1-303514	2	Bearing-Flanged	6	132-9425	1	Pulley-Idler, Flat
1:3	1481	1	Fitting-Grease	7	112-4212	1	Mount-Pulley
2	109-6658	4	Nut-Flange, NI	8	323-11	2	Screw-HH
3	1-213069	3	Washer	9	132-4729	1	Anchor-Spring, Short
4	114-5848	1	Spacer-Plain	10	104-0151	1	Spacer

Spindle Assembly No. 127-0560

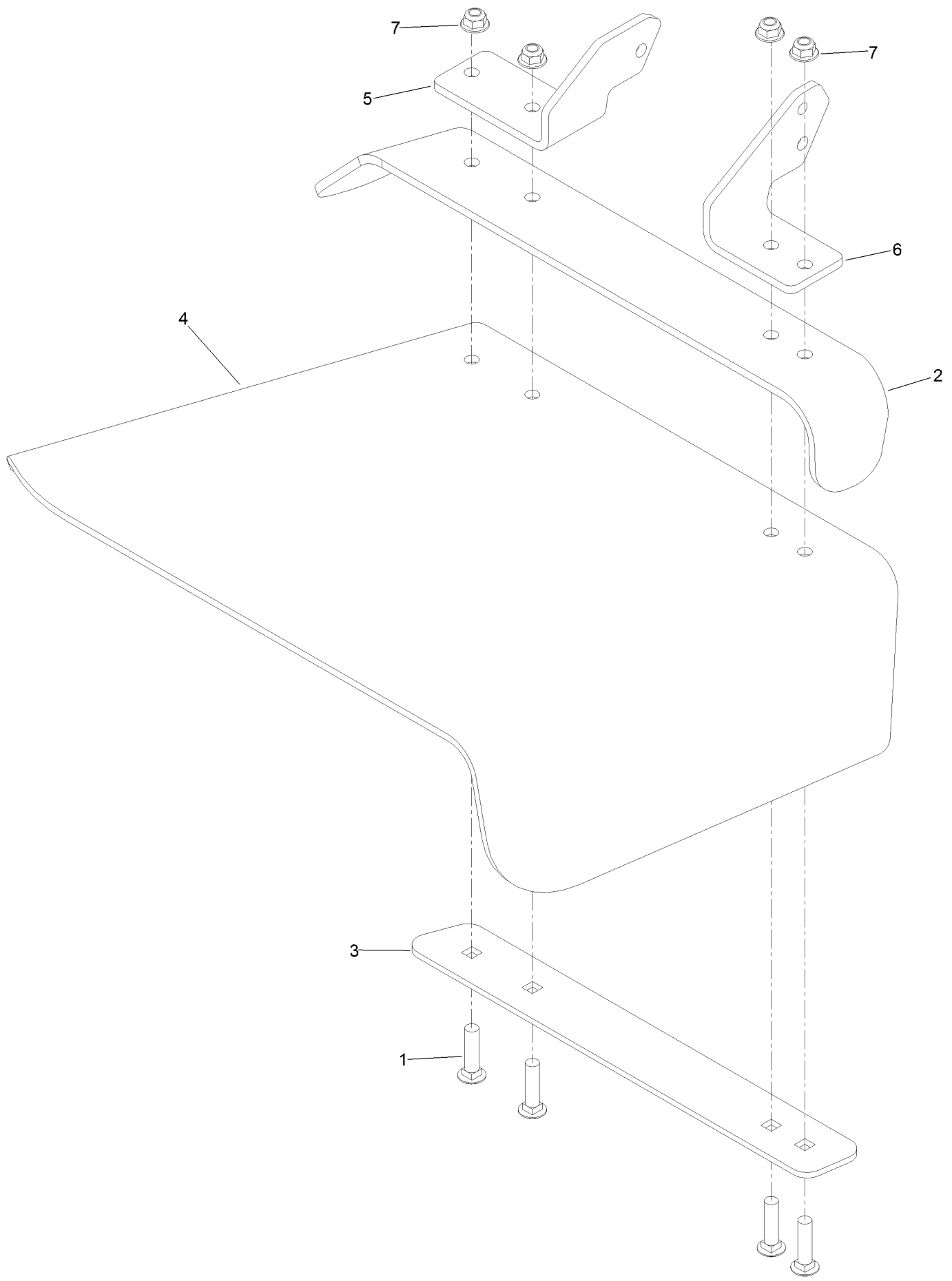


Spindle Assembly No. 127-0560 (continued)

<i>Ref.</i>	<i>Part Number</i>	<i>Qty.</i>	<i>Description</i>	<i>Ref.</i>	<i>Part Number</i>	<i>Qty.</i>	<i>Description</i>
1		1	Spindle Housing ASM W/Studs ●	4	127-0556	1	Shaft-Spindle, Ball Bearing
1:2	114-8195	6	Bolt-Neck, Ribbed	5	127-0557	1	Hub-Spindle (W/Studs)
2	116-0720	2	Bearing-Ball	6	92-5836	1	Washer
3	127-0554	1	Spacer-Bearing	7	3296-67	1	Nut-Lock, NI

● Not serviced separately

Rubber Deflector Assembly No. 108-2792



Rubber Deflector Assembly No. 108-2792 (continued)

<i>Ref.</i>	<i>Part Number</i>	<i>Qty.</i>	<i>Description</i>	<i>Ref.</i>	<i>Part Number</i>	<i>Qty.</i>	<i>Description</i>
1	3231-4	4	Screw-CARR	5	108-4059-01	1	Plate-Hinge, Rear
2	106-3246-01	1	Deflector	6	106-3253-01	1	Plate-Hinge, Front
3	106-3248-03	1	Strap-Discharge	7	104-8301	4	Nut-HF, NI
4	108-5029	1	Deflector-Rubber				

Attachments and Accessories

For 74930 Z Master Professional 5000 Series Riding Mower with 60in TURBO FORCE Side Discharge Mower

Product Name	Model/Part
Blade-Mid Flow, 20.5in	105-7715-03
Blade-Lo Flow, 20.5in	105-7716-03
Blade-Hi Flow, 20.5in.....	105-7718-03
Blade-Recycler, 20.5in.....	105-7777-03
Blade-Atomic, 20.5in	105-8777-03
Turbo Baffle Kit	107-1634
6 Pack Blade, 20.5in Hi-Flow	108-1114
6 Pack-Blade, 20.5in Atomic.....	108-1115
6 Pack Blade, 20.5in Mid-Flow	108-1123
6 Pack-Blade, 20.5in Lo Flow	108-1128
Anti-Scalp Kit (Trim Side).....	108-4140
Hitch Kit	109-9487
6 Pack-Blade, 20.5in Recycler.....	110-0405
Hypr-Oil 500 (quart).....	114-4713
Hypr-Oil 500 (gallon).....	114-4714
Hypr-Oil 500-5 (5 gallon).....	114-4715
Bimini Folding Shade Assembly	115-4510
Recycler Kit	115-7468
Roller Striper Kit.....	115-7470
Light Kit.....	116-1154
Seat Cover (W/arm rest).....	117-0095
Operator Controlled Discharge Chute Kit.....	117-3600
Deluxe Suspension Seat Kit	117-6174
Z Stand Kit.....	121-4811
Deluxe Seat Kit.....	121-7595
Seat Tilt Frame and ISO Mount Kit.....	121-7596
MVP Belt and Blade Kit.....	127-1639
Jack Mount Kit.....	127-6665
Jack Kit.....	127-6666
Power Deck Lift Kit	132-5986
Toro Deluxe Rider Cover.....	490-7319
Spark Arrestor Screen	75-6880
Blower and Drive Kit	78553
E-Z Vac Triple Bagging System	78563
E-Z Vac DFS Collection System	78567
Filter Minder Gauge	99-4664
Trash Holder Kit.....	TC26

Notes:

Notes:

Notes:



Count on it.