

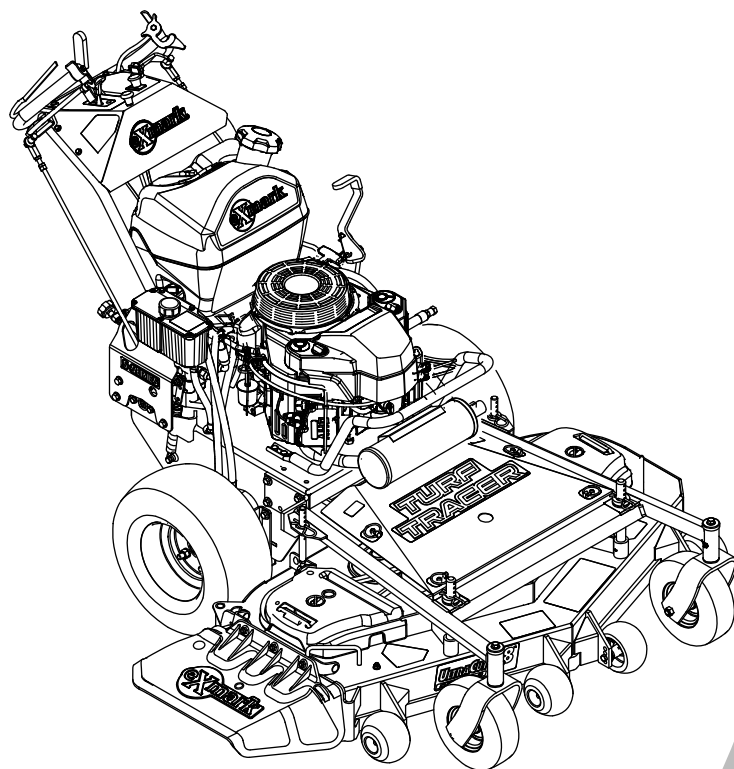


TURF TRACER[®]

S-SERIES

Model No. TTS600CKA363E0—Serial No. 413950474 and Up

Picture below may not reflect actual product.



Parts Manual

Part No. 4506-278 Rev. A

Ordering Replacement Parts

To order replacement parts, please supply the part number, the quantity, and the description of each part desired.

Understanding Reference Numbers

Each identified part in an illustration has a reference number. The reference number for a part also appears in the parts list, along with other information about the part.

This catalog uses two special reference number formats, one to indicate parts in a service assembly and another to indicate the quantity of a given part in an illustration.

Service Assembly Reference Numbers

Parts in service assemblies have reference numbers in the form a:b. The a represents the reference number of the entire service assembly and the b represents a sequential number unique to each part within the service assembly.

For example, a wheel assembly might be identified by reference number 6, the tire by 6:1, the valve by 6:2, and the wheel by 6:3. When you order the assembly identified by reference number 6, you receive all parts identified by reference numbers 6:1, 6:2, and 6:3. However, you may also order any part individually. Reference numbers of this type appear in illustration and in parts lists.

Reference Numbers Indicating Quantity

In an illustration, if a reference number indicates more than one part, the reference number has the form nX y. The n represents the quantity of the part, the X is the multiplication symbol, and the y represents the reference number.

For example, in an illustration, the reference number 2X 37 means that two of the parts identified by reference number 37 are indicated.

Touch Up Paint

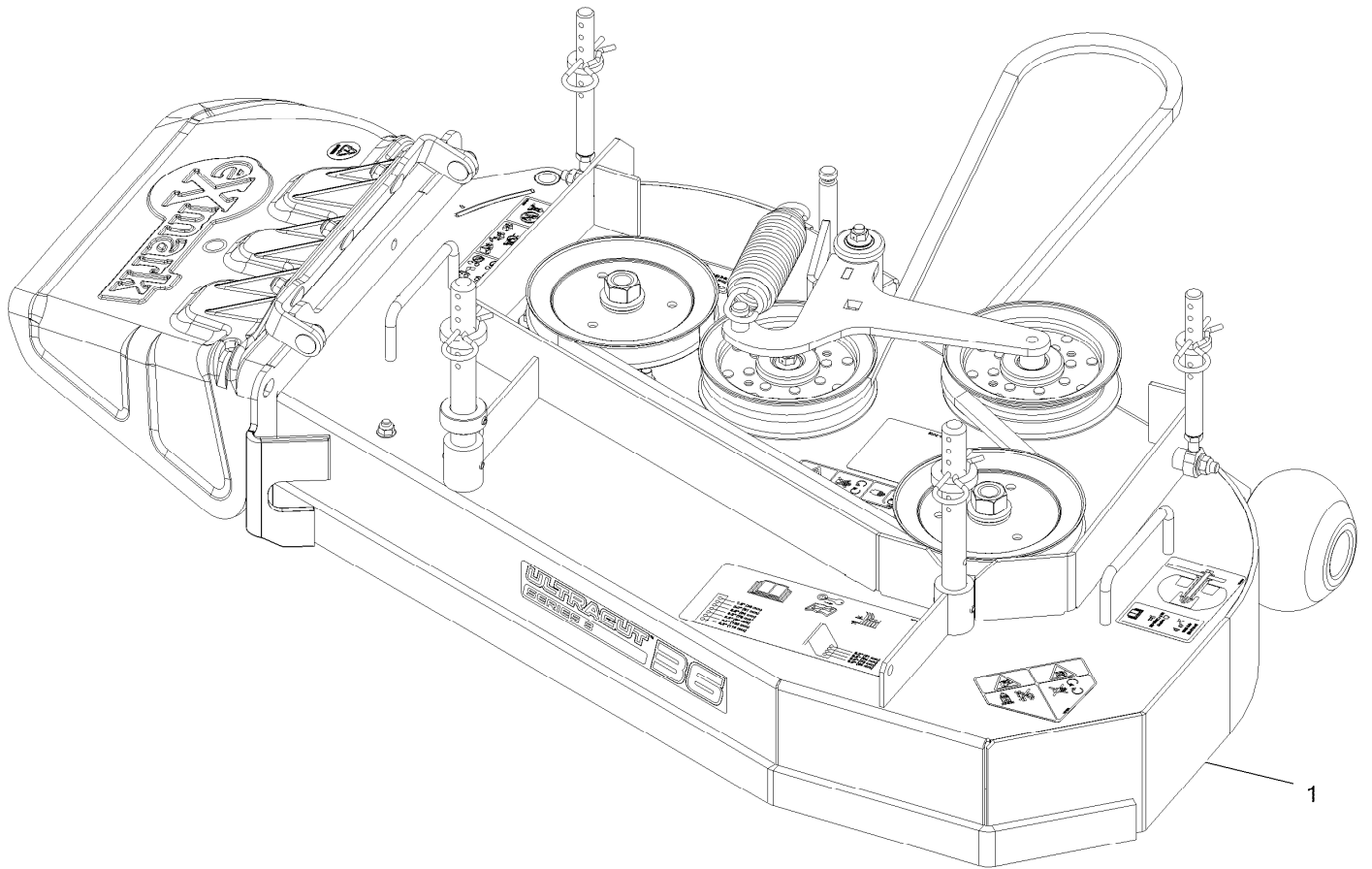
Exmark black touch up spray paint – gloss black.

Exmark red touch up paint (spray paint – P/N 1-850337 - .6 oz liquid bottle – P/N 103-9140).

Contents

Complete Deck Assembly	4
Deck Assembly	6
Deck W/Decals Assembly	8
Idler Assembly	10
Main Frame Assembly	12
Engine Deck Assembly	14
Handle Assembly	16
Controls Assembly	18
Engine Assembly	20
Fuel Tank Assembly	22
Ground Drive Assembly	24
Pump Idler Assembly No. 126-0615	26
Electrical Assembly	28

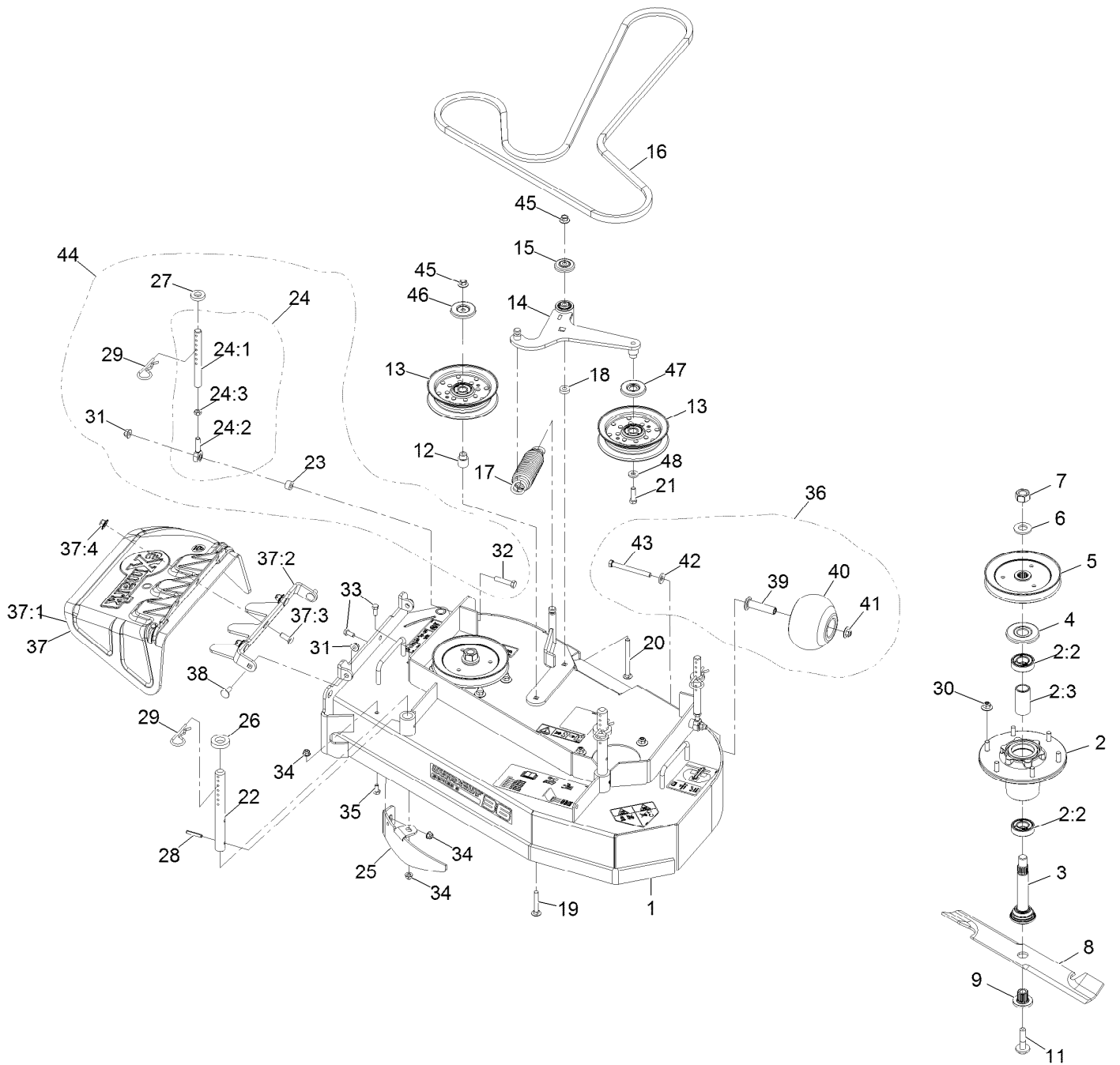
Complete Deck Assembly



Complete Deck Assembly (continued)

<i>Ref.</i>	<i>Part Number</i>	<i>Qty.</i>	<i>Description</i>
1	126-1908	1	ASM-Complete Deck 36

Deck Assembly



Deck Assembly (continued)

<i>Ref.</i>	<i>Part Number</i>	<i>Qty.</i>	<i>Description</i>	<i>Ref.</i>	<i>Part Number</i>	<i>Qty.</i>	<i>Description</i>
1	126-0634	1	ASM, Deck W/ Decals, 36"	24:2	1-613204	1	Balljoint
2	116-3344	2	ASM-Cutter Hsg With Bearings	24:3	3220-3	1	Nut-Jam 3/8-24
2:2	116-0720	2	Bearing-Ball	25	126-2783-01	1	Baffle, Dogleg
2:3	116-3312	1	Spacer-Bearing	26	1-413425	2	Spacer-Deck Support
3	116-3342	2	ASM-Spindle And Seal ◆	27	1-323539	2	Spacer-Blade Drive
4	116-1286	2	Guard,Bearing Top .989	28	1-806332	2	Rollpin 1/4 X 1 1/2
5	116-0675	2	Sheave,Blade Drive 6.50	29	1-806009	4	Hairpin-Cotter #206
6	103-2802	2	Washer-Spring Disc 3/4	30	109-6658	12	Nut-Nyloc 3/8-16 Flg
7	116-7306	2	Nut-Hex ▲	31	104-8301	4	Nut-Nyloc 3/8-16 Flg
8	116-5175	2	Blade-Extreme 2, 18.00" ●	32	323-9	2	Screw-HH 3/8-16 X 1 3/4
8	103-6402	2	Blade-Notched	33	322-3	2	Screw-HH 5/16-18 X 3/4
8	103-6392	2	Blade, Mulching	34	104-8300	3	Nut-Nyloc 5/16-18 Flg
8	103-6387	2	Blade, Low Lift ●	35	322-2	1	Screw-HH 5/16-18 X 5/8
8	103-6382	2	Blade, Solid ●	36	116-9981	1	Kit, Anti-Scalp Roller
9	103-3037	2	Bushing, Splined	37	126-0959	1	ASM, Discharge Chute
11	109-9220	2	Screw-Sems 1/2-20 X 2.19 ■ □	37:1	109-2738	1	Chute, Discharge
12	126-2213	1	Bushing-Idler	37:2	126-0958-01	1	Bracket, Discharge Chute
13	126-9196	2	Idler-Pulley, Flat	37:3	3231-22	3	Bolt-Carriage 3/8-16 X 1
14	126-2204	1	ASM-Arm, Idler	37:4	109-6658	3	Nut-Nyloc 3/8-16 Flg
15	103-2916	1	Guard-Top	38	3231-22	2	Bolt-Carriage 3/8-16 X 1
16	126-2222	1	Belt-5V	39	116-8131	1	Axle, Roller
17	116-6317	1	Spring-Extension	40	103-8415	1	Roller-Anti-Scalp
18	5-0652	1	Spacer	41	109-6658	1	Nut-Nyloc 3/8-16 Flg
19	3231-7	1	Bolt-Carriage 3/8-16 X 2 1/4	42	98-5975	1	Washer-Spring Disc 3/8
20	3231-37	1	Bolt-Carriage 3/8-16 X 4	43	116-9362	1	Screw-HH 3/8-16 X 3 3/4 GR 8
21	323-7	1	Screw-HH 3/8-16 X 1 1/4	44	1-411532	2	Kit, Support Link W/Pin
22	135-7043	2	Rod, Deck Support Tts	45	32128-19	2	Nut-Hex 3/8-16 Side Lock
23	1-603050	2	Spacer	46	126-8043	1	Shield-Dust
24	1-414521	2	Link Assy	47	126-9195	1	Shield-Guard, Dust
24:1	1-413525	1	Link, Rear Deck Support	48	43-0940	1	Spacer

● Optional Equipment

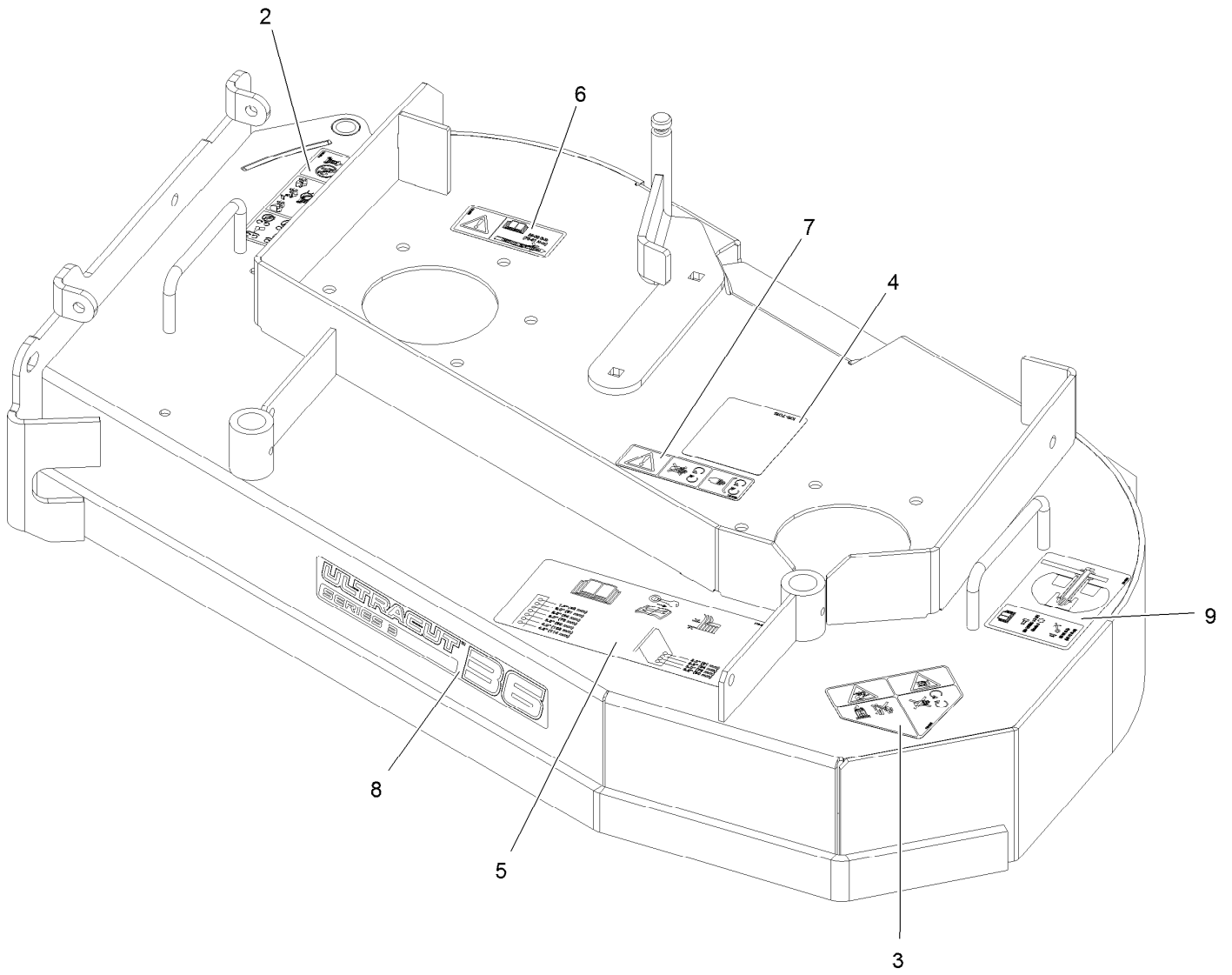
■ Torque to 50-60 ft-lb

▲ Torque to 130-160 ft-lb

◆ Apply Mobil HTS grease (P/N 103-5217 1.5 oz packet) (or a food-grade anti-seize). See operator s manual for locations.

□ Apply lubricant to threads as needed to prevent seizing. Copper based anti-seize preferable. Grease is an acceptable substitute.

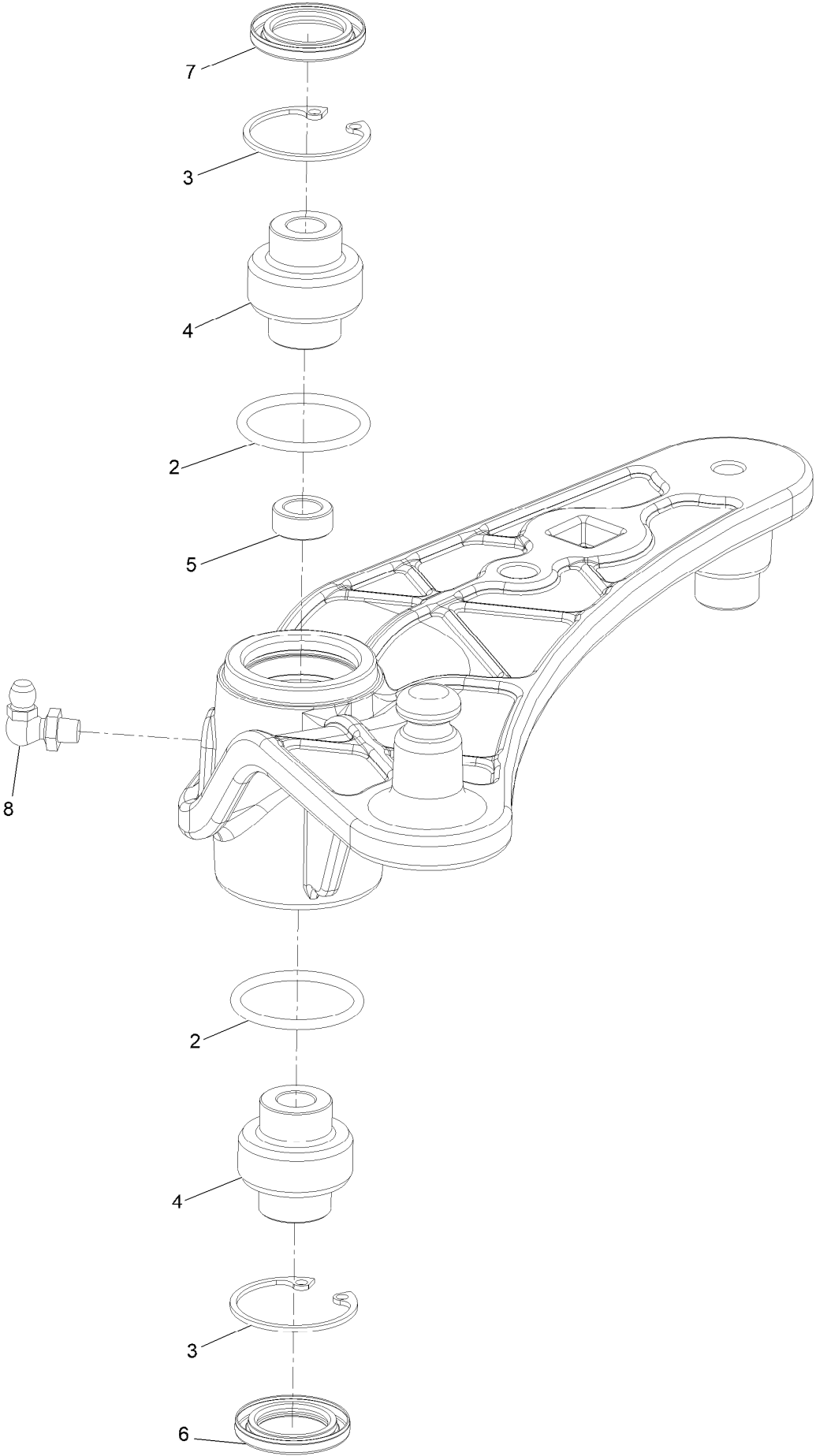
Deck W/Decals Assembly



Deck W/Decals Assembly (continued)

<i>Ref.</i>	<i>Part Number</i>	<i>Qty.</i>	<i>Description</i>	<i>Ref.</i>	<i>Part Number</i>	<i>Qty.</i>	<i>Description</i>
2	135-5210	1	Decal-Warning Thrown Obj	6	116-8283	1	Decal-Torque, Bolt
3	112-8760	1	Decal-Danger	7	112-9028	1	Decal-Cover, Missing
4	105-7015	1	Decal-Routing, Belt	8	126-6745	1	Decal-Ultracut 36 Series 3
5	116-8278	1	Decal-Anti-Scalp	9	126-0898	1	Decal-Roller Mounting

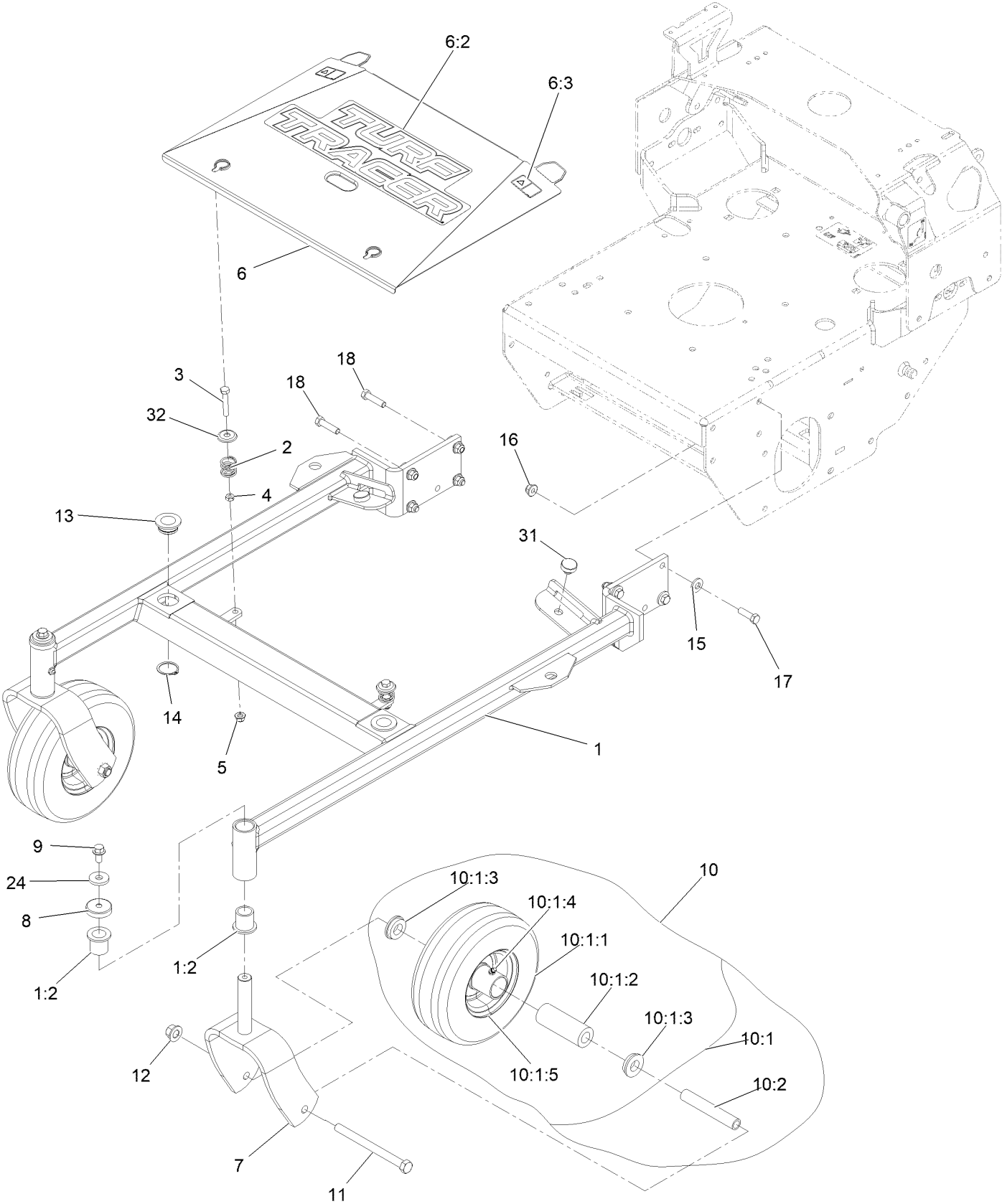
Idler Assembly



Idler Assembly (continued)

<i>Ref.</i>	<i>Part Number</i>	<i>Qty.</i>	<i>Description</i>	<i>Ref.</i>	<i>Part Number</i>	<i>Qty.</i>	<i>Description</i>
2	106-7159	2	O-Ring	6	103-3505	1	Seal-Lip, Double
3	32120-10	2	Ring-Retaining	7	103-3506	1	Seal-Single Lip
4	103-3504	2	Bearing-Spherical	8	302-40	1	Zerk-90° 1/4-28
5	103-5677	1	Spacer				

Main Frame Assembly

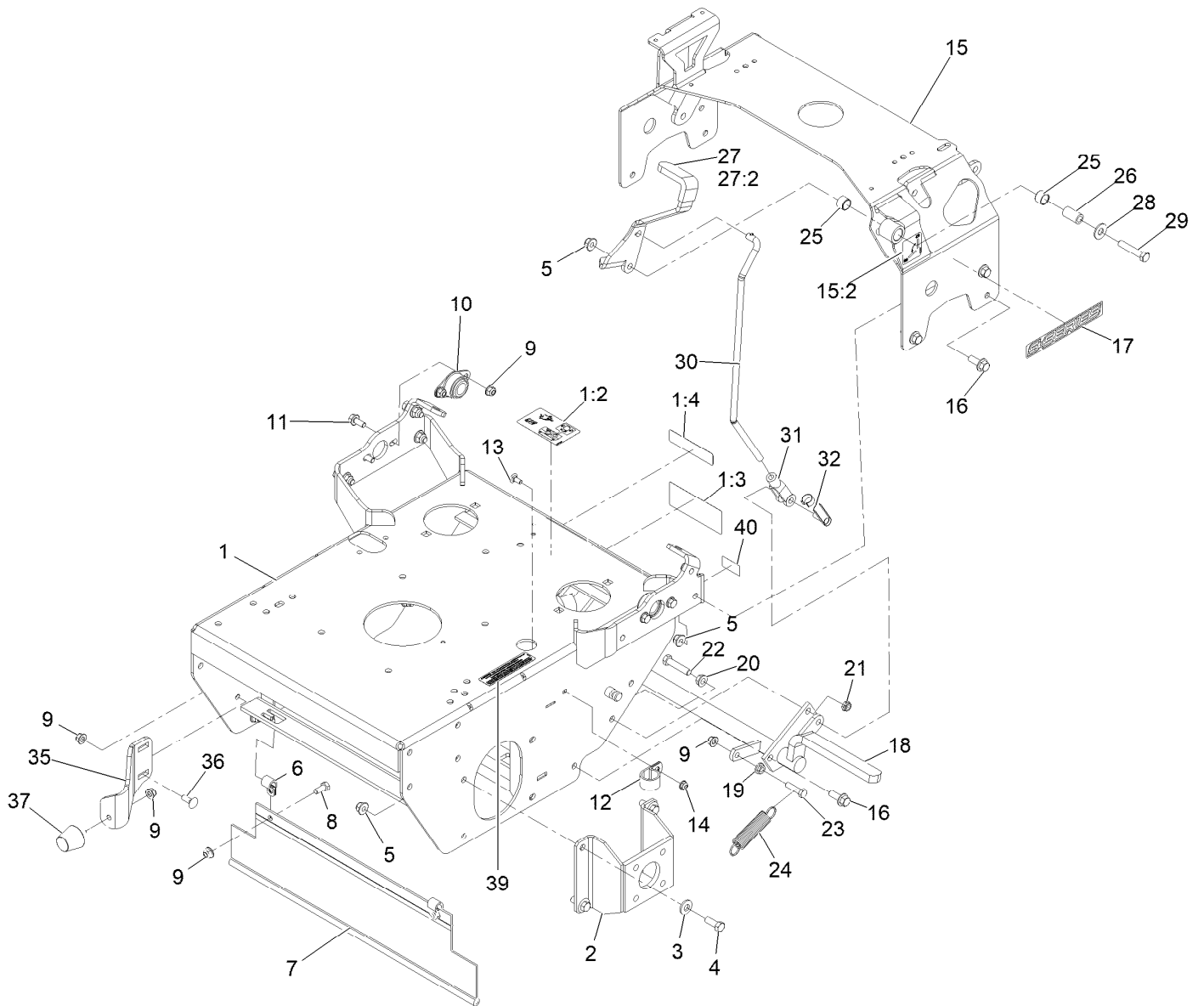


Main Frame Assembly (continued)

<i>Ref.</i>	<i>Part Number</i>	<i>Qty.</i>	<i>Description</i>	<i>Ref.</i>	<i>Part Number</i>	<i>Qty.</i>	<i>Description</i>
1	142-7667	1	ASM-36" Tts Front Frame	10:1:1		1	Tire ●
1:2	1-303514	4	Bearing-Flanged	10:1:2	1-513809	1	Bearing
2	126-1503	2	Spring	10:1:3	1-513810	2	Bushing-Flanged
3	322-21	2	Screw-HH	10:1:4	302-61	1	Zerk-45° 1/4-28
4	3218-2	2	Nut-Jam 5/16-18	10:1:5		1	Wheel ●
5	104-8300	2	Nut-Nyloc 5/16-18 Flg	10:2	1-513547	1	Spacer
6	142-7662	1	ASM-36" Tts Center Shield	11	325-20	2	Screw-HH 1/2-13 X 6
6:2	126-6892	1	Decal-Turf Tracer	12	99-5107	2	Nut-Lock 1/2-13
6:3	106-5517	2	Decal-Warning	13	1-513336	2	Bushing-Deck
7	116-7941-01	2	Fork, Caster	14	32120-33	2	Ring-Retaining
8	126-1425	2	Cap, Dust	15	98-5975	8	Washer-Spring Disc 3/8
9	110-1718	2	Screw-Hex Flange 3/8-16 X 3/4	16	104-8301	8	Nut-Nyloc 3/8-16 Flg
10	1-513547	2	Spacer	17	323-7	6	Screw-HH 3/8-16 X 1 1/4
10	103-2171	2	Kit,Semi-Pneumatic Wheel Replacement	18	323-8	2	Screw-HH 3/8-16 X 1 1/2
10:1		1	Wheel And Tire ASM ●	24	1-373034	2	Washer
				31	104-1412	2	Bumper-Rubber
				32	66-6310	2	Washer-Cup

● Not serviced separately

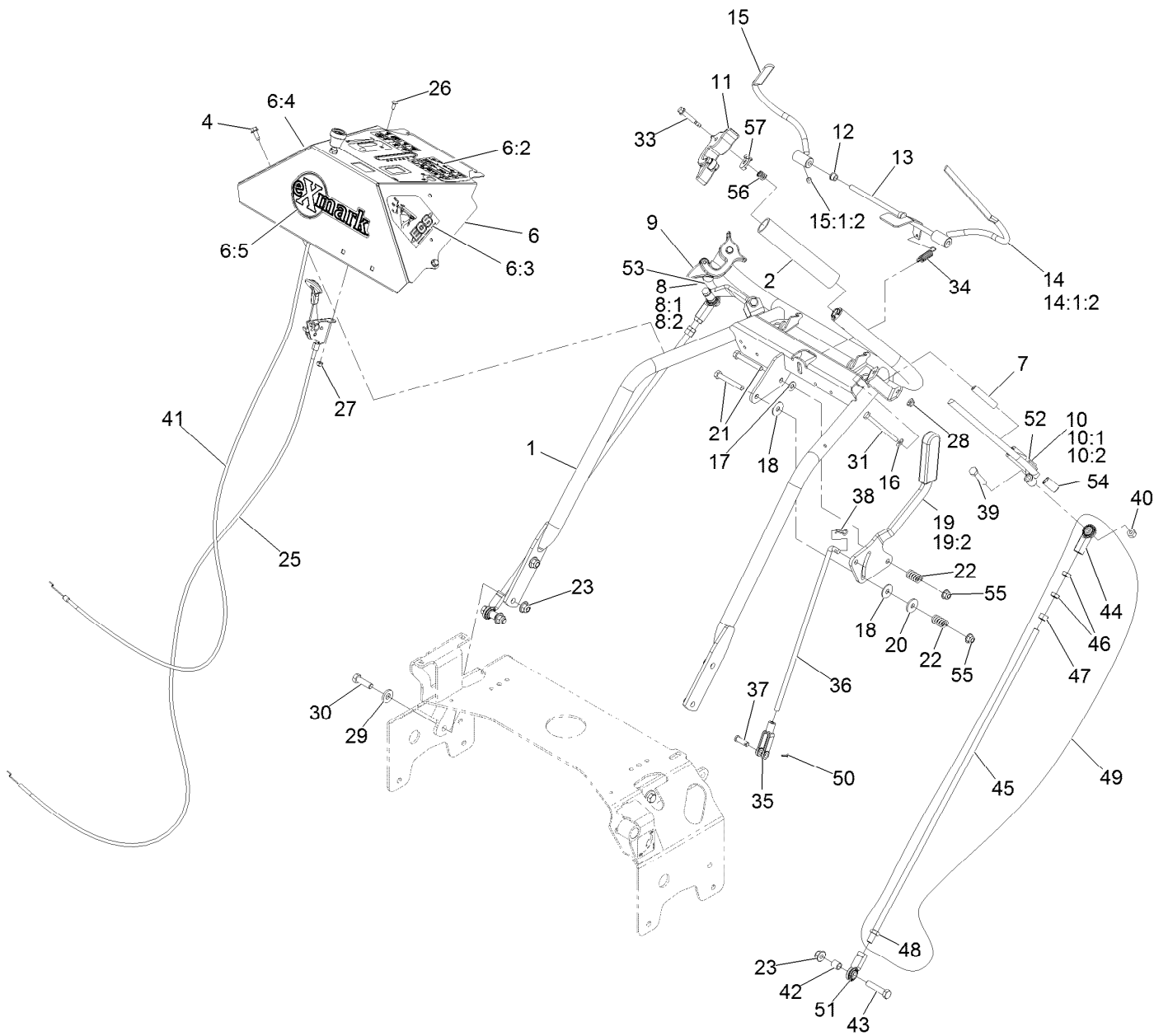
Engine Deck Assembly



Engine Deck Assembly (continued)

<i>Ref.</i>	<i>Part Number</i>	<i>Qty.</i>	<i>Description</i>	<i>Ref.</i>	<i>Part Number</i>	<i>Qty.</i>	<i>Description</i>
1	126-1238	1	ASM, Engine Deck W/ Decals	18	126-1599	1	Shaft-Cross, Brake
1:2	116-8253	1	Decal-Drive Release	19	32128-20	1	Nut-Whizlock 5/16-18
1:3	126-1400	1	Decal-Warning, Sulky	20	3290-357	1	Nut-Whizlock 3/8-16
1:4	98-1977	1	Decal-Warning	21	3296-59	1	Nut-Nyloc 3/8-16 Thin
2	1-412080-01	2	Mount, Wheel Motor 36"	22	323-9	1	Screw-HH 3/8-16 X 1 3/4
3	98-5975	8	Washer-Spring Disc 3/8	23	322-6	1	Screw-HH 5/16-18 X 1 1/4
4	323-6	8	Screw-HH 3/8-16 X 1	24	1-323161	1	Spring
5	104-8301	18	Nut-Nyloc 3/8-16 Flg	25	1-413347	2	Sleeve-Bushing
6	1-413510	2	Clip-Loom	26	1-413344	1	Bushing-Pivot
7	103-2056	1	Shield-Drag	27	126-2180	1	ASM, Brake Lever W/ Grip
8	322-3	2	Screw-HH 5/16-18 X 3/4	27:2	1-303020	1	Grip-Lever
9	104-8300	10	Nut-Nyloc 5/16-18 Flg	28	3256-4	1	Washer-3/8 Std
10	1-633102	2	Bearing-Flanged	29	323-10	1	Screw-HH 3/8-16 X 2
11	3234-47	4	Screw-HH Flg 5/16-18 X 3/4	30	116-9959	1	Linkage, Brake
12	1-643312	1	Clip-Loom	31	1-633131	1	Yoke-Linkage, Brake
13	3229-11	1	Bolt-Carriage 1/4-20 X 5/8	32	103-2399	1	Pin-Clevis Spring 3/8
14	104-7201	1	Nut-Nyloc 1/4-20 Flg	35	126-2191-01	1	Bracket-Bumper
15	142-8015	1	ASM-Tank Support	36	3230-16	2	Bolt-Carriage 5/16-18 X 7/8
15:2	116-5988	1	Decal-Park Brake, CE	37	1-543963	1	Bumper-Rubber
16	3234-42	9	Screw HHF 3/8-16 X 1	39	133-8062	1	Decal-Arrestor, Spark
17	126-6572	2	Decal-S-Series	40	126-4345	1	Decal-Patent

Handle Assembly



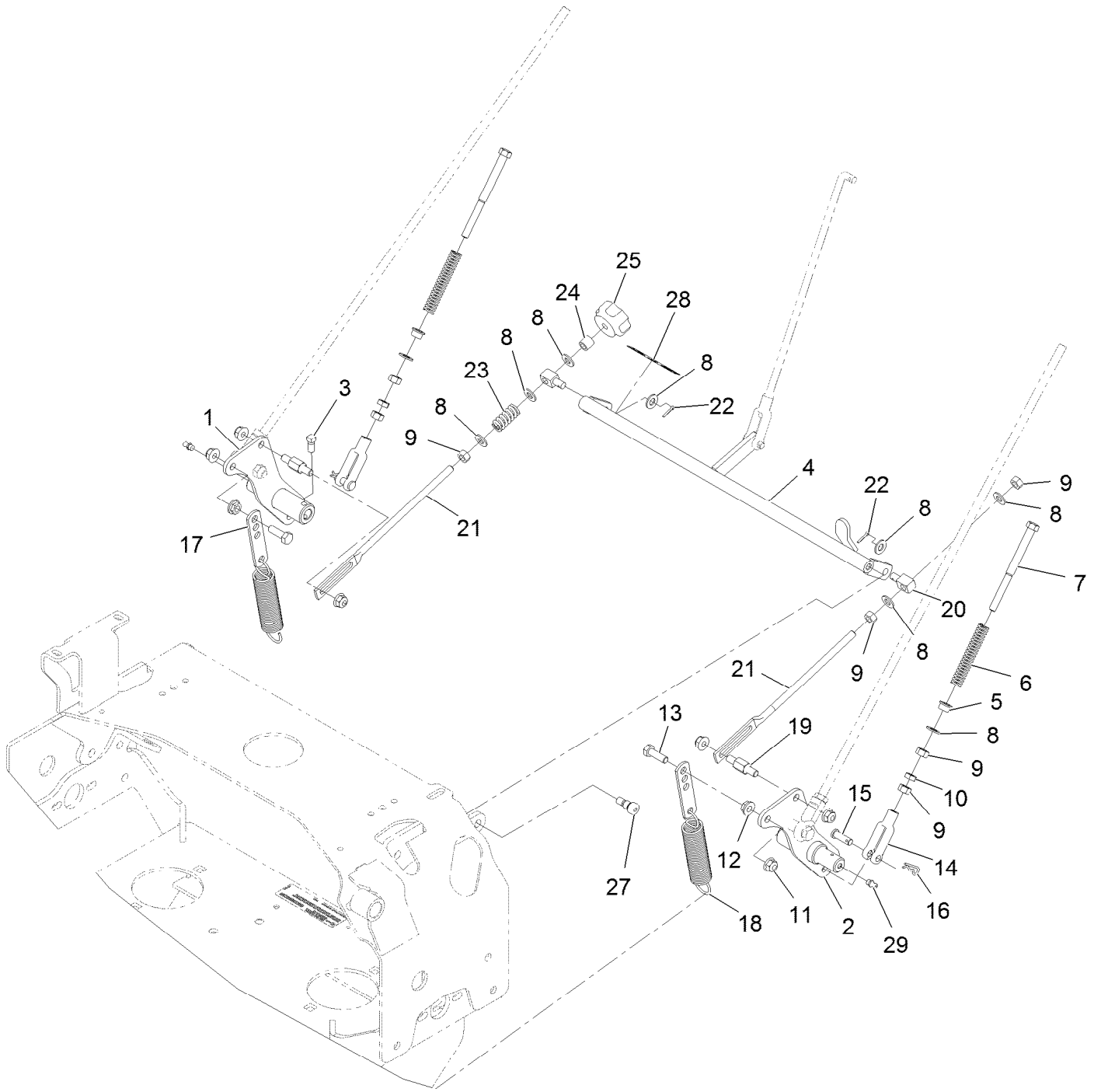
Handle Assembly (continued)

<i>Ref.</i>	<i>Part Number</i>	<i>Qty.</i>	<i>Description</i>	<i>Ref.</i>	<i>Part Number</i>	<i>Qty.</i>	<i>Description</i>
1	126-2642-03	1	Weld, Handle	25	109-3958	1	Control-Throttle
2	103-0815	2	Grip-Bar, Handle	26	1-807513	2	Bolt-Carriage #10-24 X 1/2
4	32144-10	2	Screw-HWH 1/4-20 X .62	27	3296-2	2	Nut-Nyloc #10-24
6	126-4707	1	ASM, Console W/ Decals	28	104-7201	2	Nut-Nyloc 1/4-20 Flg
6:2	135-2851	1	Decal-Console	29	98-5975	4	Washer-Spring Disc 3/8
6:3	103-2242	1	Decal, Ecs Instruction LH	30	323-7	4	Screw-HH 3/8-16 X 1 1/4
6:4	103-2243	1	Decal, Ecs Instruction RH	31	321-14	2	Screw-HH 1/4-20 X 2 3/4
6:5	126-6877	1	Decal, Exmark Logo	33	126-2931	2	Screw-Shoulder
7	103-0027	2	Bushing-Lever, Drive	34	1-303363	1	Spring-Extension
8	103-2513	1	Asm, Drive Lever RH	35	1-303105	1	Yoke-Adjustable
8:1	116-4082	1	Wld,RH Drive Lever	36	1-413225	1	Rod, Speed Control
8:2	126-9366	2	Bushing, Sleeve	37	1-808280	1	Pin-Clevis 5/16 X 1 49/64
9	103-1371	1	Thumb Latch Asm RH	38	1-806003	1	Hairpin-Cotter
10	103-2514	1	Asm, Drive Lever LH	39	322-9	2	Screw-HH 5/16-18 X 1 3/4
10:1	116-4081	1	Wld,LH Drive Lever	40	3296-29	2	Nut-Nyloc 5/16-18
10:2	126-9366	2	Bushing, Sleeve	41	126-2107	1	Cable, Choke
11	103-1372	1	Thumb Latch Asm LH	42	103-1166	2	Spacer-Tube, Pump Link
12	1-303365	2	Bushing-Nylon	43	323-9	2	Screw-HH 3/8-16 X 1 3/4
13	103-0769-03	1	Rod Weldment, OPC	44	103-2463	2	Balljoint
14	116-4079	1	Wld,LH OPC Lever ■	45	103-1148	2	Rod,Drive Lever
14:1:2	1-803322	1	Setscrew-5/16-24 X 5/16 ●	46	3220-3	4	Nut-Jam 3/8-24
15	116-4080	1	Wld,RH OPC Lever ■	47	3219-3	2	Nut-Hex 3/8-24
15:1:2	1-803322	1	Setscrew-5/16-24 X 5/16 ●	48	3220-16	2	Nut-Jam 3/8-24 LH
16	3256-22	2	Washer-1/4 SAE	49	116-3414	2	Drive Link ASM
17	3256-23	1	Washer-5/16 SAE	50	3272-5	1	Pin-Cotter 3/32 X 1/2
18	1-323244	2	Washer-Friction	51	103-1167	2	Joint-Ball End
19	126-0148	1	Lever, Shift W/Grip	52	116-4081	1	Wld,LH Drive Lever
19:2	103-5994	1	Grip-Handle, Steering	53	116-4082	1	Wld,RH Drive Lever
20	1-603716	1	Washer-Friction Disc	54	126-9366	4	Bushing, Sleeve
21	322-11	2	Screw-HH 5/16-18 X 2 1/4	55	104-8300	2	Nut-Nyloc 5/16-18 Flg
22	1-323245	2	Spring-Compression	56	1-633349	2	Spring-Compression
23	104-8301	6	Nut-Nyloc 3/8-16 Flg	57	126-2921	2	Latch, Ecs

● Use Pro-Lock, Nut Type (P/N 1-840022, .5ml tube) on threads.

■ Use Pro-Lock retaining type, Part no. 1-840023 (.5cc tube) on inside of bore of OPC hub.

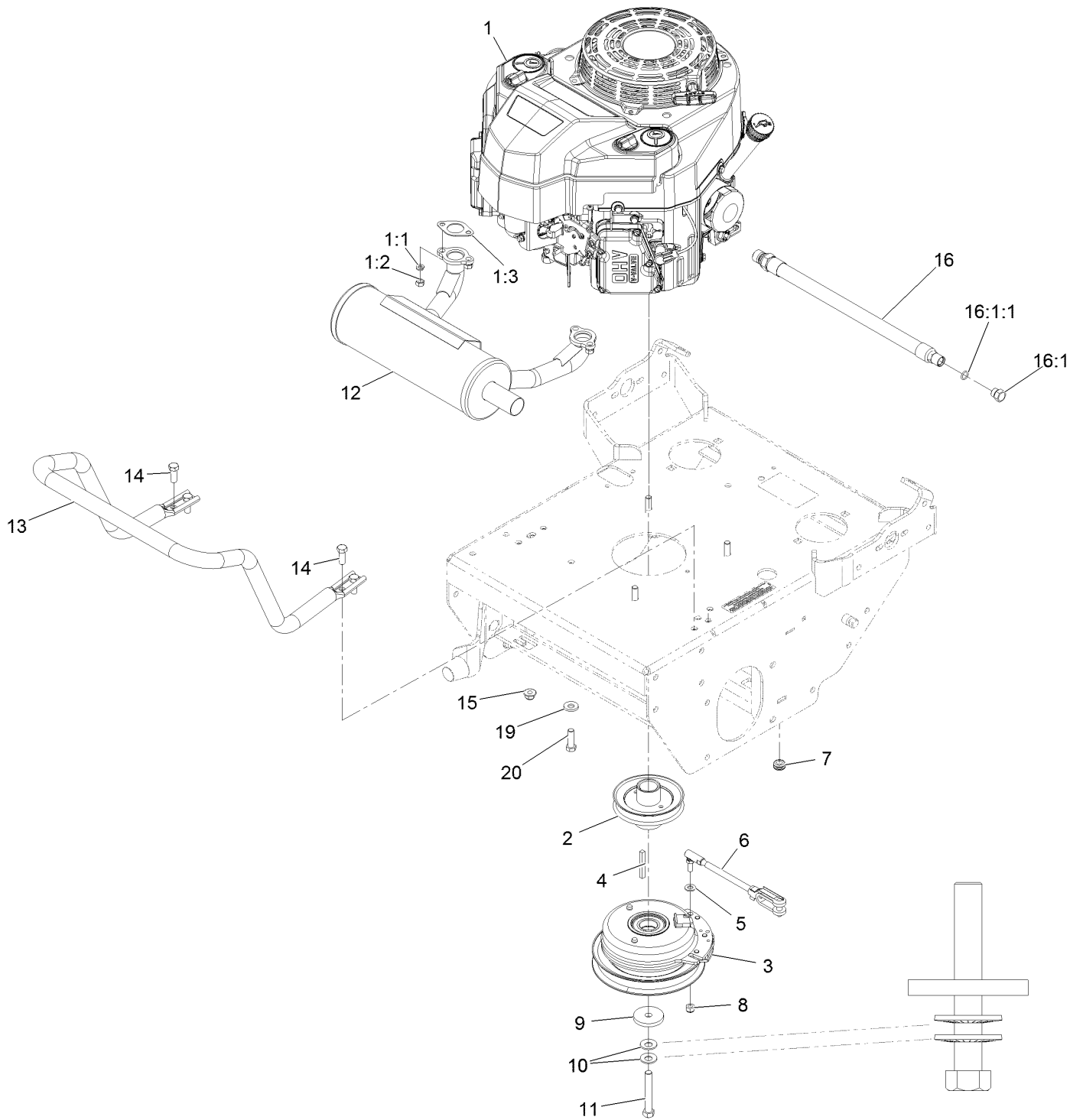
Controls Assembly



Controls Assembly (continued)

<i>Ref.</i>	<i>Part Number</i>	<i>Qty.</i>	<i>Description</i>	<i>Ref.</i>	<i>Part Number</i>	<i>Qty.</i>	<i>Description</i>
1	116-9975	1	Weld, Motion Control, Rt	15	1-808280	2	Pin-Clevis 5/16 X 1 49/64
2	116-9974	1	Weld, Motion Control, Lt	16	1-806003	2	Hairpin-Cotter
3	1-803022	2	Setscrew-5/16-18 X 5/8	17	1-613089	2	Tab-Spring, Extension
4	126-2982-01	1	Weld, Speed Control	18	1-603693	2	Spring
5	1-603735	2	Bushing-Flanged	19	126-0610	2	Pin, Motion Control
6	103-0265	2	Spring, Neutral Return	20	126-8571	2	Swivel-Adjustable, Short
7	1-603737	2	Bolt-Neutral Return	21	1-413350	2	Link-Control, Speed
8	3256-23	9	Washer-5/16 SAE	22	3272-5	2	Pin-Cotter 3/32 X 1/2
9	3219-2	7	Nut-Hex 5/16-24	23	1-323245	1	Spring-Compression
10	3220-2	2	Nut-Jam 5/16-24	24	1-603903	1	Spacer
11	104-8300	6	Nut-Nyloc 5/16-18 Flg	25	103-3060	1	Knob-Tracking
12	32128-20	2	Nut-Whizlock 5/16-18	27	1-809056	2	Screw-Sh 5/16-18 X 1 3/8
13	322-5	2	Screw-HH 5/16-18 X 1	28	116-7918	1	Decal-Tracking Adjustment
14	1-303105	2	Yoke-Adjustable	29	302-19	2	Zerk-1/4-28 Str

Engine Assembly



Engine Assembly (continued)

<i>Ref.</i>	<i>Part Number</i>	<i>Qty.</i>	<i>Description</i>	<i>Ref.</i>	<i>Part Number</i>	<i>Qty.</i>	<i>Description</i>
1		1	Engine, Kawasaki 600Cc ■▲	10	1-603610	2	Washer-Spring Disc 7/16
1:1	114-3550	4	Washer-Spring Lock M8	11	3212-12	1	Screw-HH 7/16-20 X 3 □
1:2	114-3549	4	Nut-M8	12	116-3735	1	Muffler-Horizontal
1:3	1-653313	2	Gasket-Exhaust	13	135-4729-03	1	Tube-Guard Muffler
2	116-7328	1	Sheave, W/ Hub	14	323-6	4	Screw-HH 3/8-16 X 1
3	126-2615	1	Clutch, 105 Ft/Lbs, 1.13	15	104-8301	4	Nut-Nyloc 3/8-16 Flg
4	5-1336	1	Key-Machine 1/4 X 1/4 X 2 ○	16	116-5052	1	Asm-Oil Drain Hose W/Plug ◆
5	3256-23	1	Washer-5/16 SAE	16:1	353-508	1	Plug-W/O-Ring ●
6	126-0620	1	ASM, Clutch Anchor	16:1:1	237-42	1	O-Ring
7	237-136	1	Grommet	19	98-5975	4	Washer-Spring Disc 3/8
8	3296-4	1	Nut-Lock 5/16-24	20	323-7	4	Screw-HH 3/8-16 X 1 1/4
9	109-6919	1	Washer-Clutch				

● Torque to 20-24 ft-lb

■ Not serviced separately

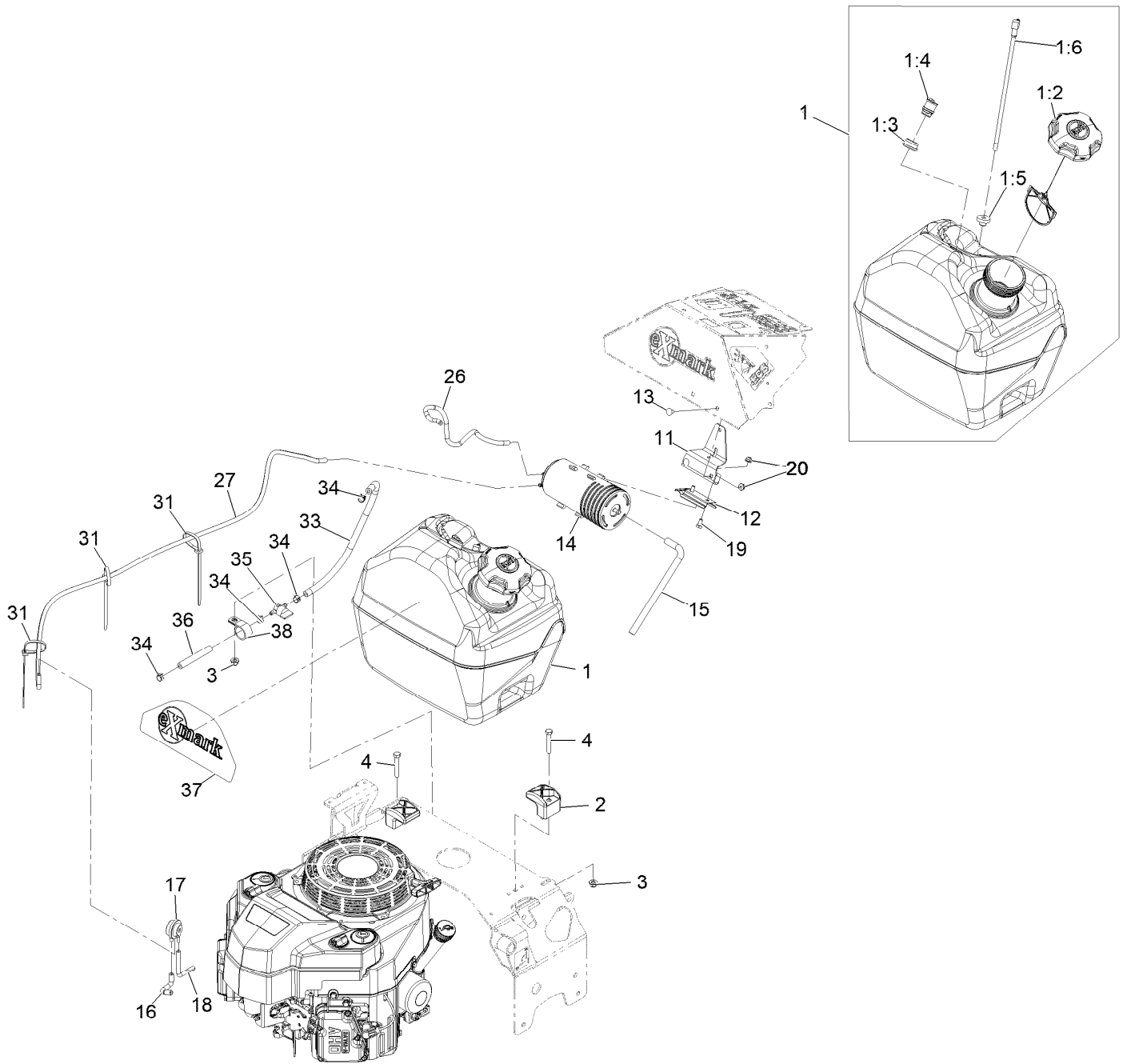
▲ Obtain parts from www.kawpower.com

◆ Use a Teflon Pipe Sealant or equivalent on threads.

□ Use Pro-Lock, Nut Type (P/N 1-840022, .5ml tube) on threads.

○ Apply anti-seize compound to engine crankshaft, pulley hub I.D., clutch bore I.D. and square key.

Fuel Tank Assembly



Fuel Tank Assembly (continued)

<i>Ref.</i>	<i>Part Number</i>	<i>Qty.</i>	<i>Description</i>	<i>Ref.</i>	<i>Part Number</i>	<i>Qty.</i>	<i>Description</i>
1	140-4343	1	Fuel Tank ASM, 5 Gal	16	119-8502	1	Hose-Vent, Formed
1:2	137-4119	1	Cap-Fuel, Ratcheting	17	116-2232	1	Valve-Control, Vacuum
1:3	114-0284	1	Grommet	18	119-8501	1	Hose-Vent, Formed
1:4	119-3547	1	Valve-Vent, Fuel	19	321-2	2	Screw-HH 1/4-20 X 1/2
1:5	46-6560	1	Bushing	20	104-7201	4	Nut-Nyloc 1/4-20 Flg
1:6	109-9364	1	Fitting-Fuel (W/Line And Screen)	26	116-4801	1	Hose-Emissions
2	107-4543	2	Clamp	27	116-3116	1	Hose-Vent, Formed
3	104-8300	2	Nut-Nyloc 5/16-18 Flg	31	3290-378	3	Tie-Cable
4	322-10	2	Screw-HH 5/16-18 X 2	33	114-4428	1	Hose-Fuel
11	135-2564-03	1	Bracket, Mounting Pdm	34	2412-98	4	Clamp-Hose
12	114-0292	1	Bracket-Canister, Carbon	35	1-603770	1	Valve-Fuel
13	3229-10	2	Bolt-Carriage 1/4-20 X 1/2	36	105-8342	1	Hose-Fuel
14	117-1221	1	Canister-Carbon, 800Cc	37	135-2822	1	Artwork-Exmark Logo Fuel Tank
15	115-0962	1	Hose-Vent, Canister	38	1-643312	1	Clip-Loom

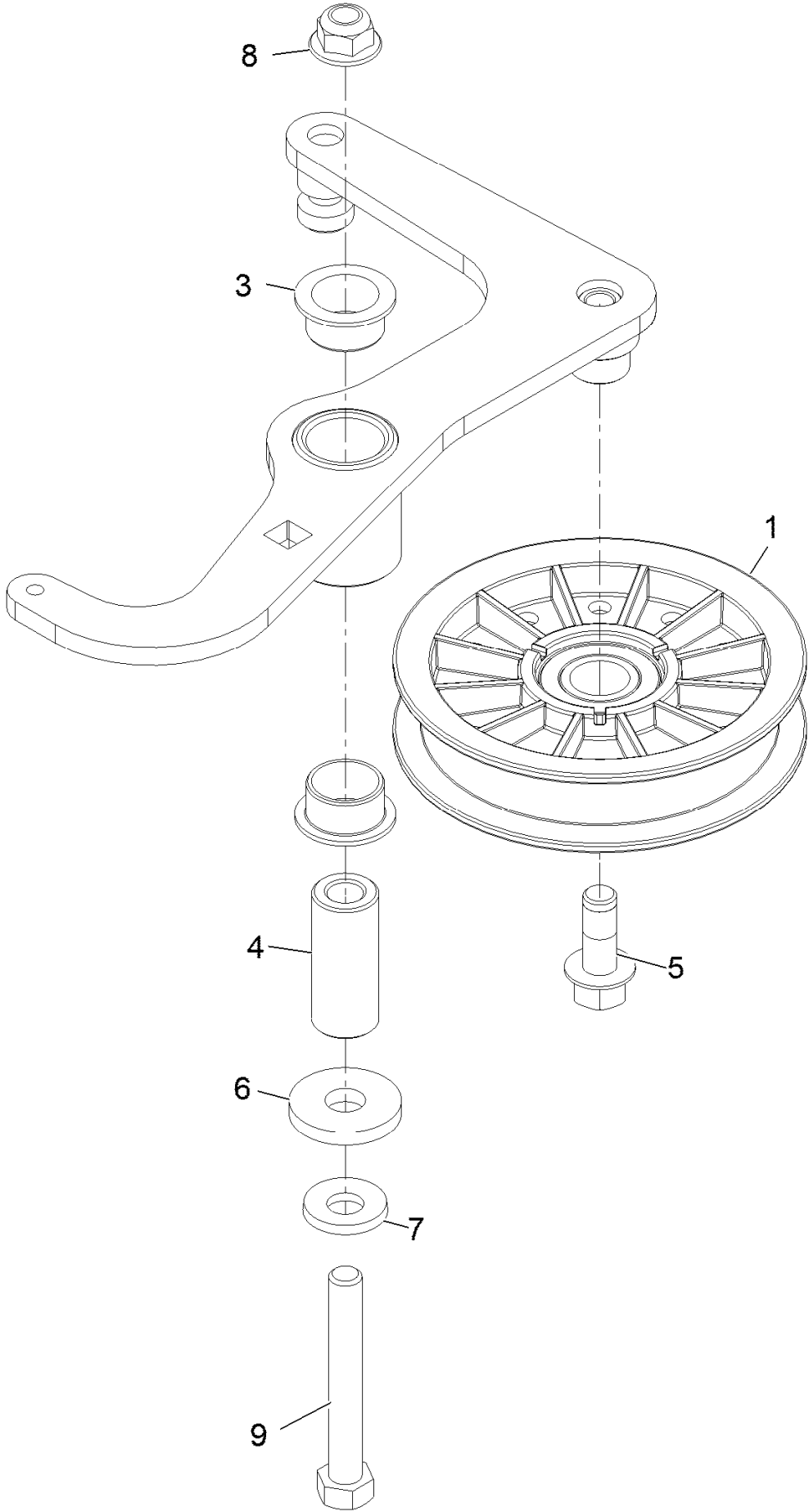
Ground Drive Assembly (continued)

<i>Ref.</i>	<i>Part Number</i>	<i>Qty.</i>	<i>Description</i>	<i>Ref.</i>	<i>Part Number</i>	<i>Qty.</i>	<i>Description</i>
1	116-0943	1	RH HYD Pump ASM	15:2	1-000138	1	Bearing And Seal Kit
1:1	103-2664	1	Input Shaft Kit	16	1-603991	4	Adapter-Straight
1:2	94-6922	1	Bearing-Thrust	16:1	237-80	1	O-Ring
1:3	103-2666	1	Cylinder Block Kit	16:2	1-603992	1	O-Ring-37 Flare #8
1:4	105-6184	1	Seal Overhaul Kit	17	98-5975	8	Washer-Spring Disc 3/8
2	116-0942	1	LH HYD Pump ASM	18	323-6	8	Screw-HH 3/8-16 X 1
2:1	103-2664	1	Input Shaft Kit	19	112-9049	2	Wheel Hub ASM
2:2	94-6922	1	Bearing-Thrust	19:2	1-633926	4	Stud-Wheel
2:3	103-2666	1	Cylinder Block Kit	20	116-2839	2	Nut-Lock
2:4	105-6184	1	Seal Overhaul Kit	21	1-413473	2	Wheel And Tire ASM
3	1-603990	4	Adapter-Straight	21:1	1-413474	1	Tire-Turfmaster
3:1	1-603920	1	O-Ring-SAE #8	21:2	1-603715	1	Rim-Wheel
3:2	1-603992	1	O-Ring-37 Flare #8	22	242-50	8	Nut-Lug 1/2-20
4	103-1802	2	Fitting-Elbow, 90 DEG	23	114-8417	4	Nut-HF, NI
4:1	237-42	1	O-Ring	24	3232-3	4	Bolt-Carriage 7/16-14 X 1 1/2
5	100-4887	3	Fitting-Elbow, 90	25	109-4180	1	Element, Oil Filter
5:1	237-42	1	O-Ring	26	126-1248	1	ASM, HYD Reservoir ■
6	1-413010	2	Sheave ASM	26:1		1	Reservoir-HYD ●
7	1-807272	2	Key-5Mm X 5Mm X 25Mm	26:1:1	103-1948	1	Cap-Reservoir, HYD
8	120-6474	4	Screw-Set, SQH 5/16-18 X 3/4	26:1:2	142-2792	1	O-Ring
9	103-4761	1	Belt	26:2	115-4212	1	Decal-Warning
10	126-0615	1	ASM, Pump Idler	27	103-1912	1	Adapter-Straight
11	116-6316	1	Spring-Extension	27:1	237-42	1	O-Ring
12	126-0621	1	ASM, Filter Head	28	103-2959	1	Hose-Charge
12:2	103-1912	1	Adapter-Straight	29	103-1988	6	Clamp-Hose 11/16
12:2:1	237-42	1	O-Ring	30	126-0623	1	Hose-Case Drain
12:3	103-1807	1	Fitting-Barbed, 45 DEG	31	126-0622	1	Hose-Charge
12:3:1	237-42	1	O-Ring	33	32144-44	2	Screw-HWH 1/4-20 X 3/4
13	1-805004	2	Washer-Lock 1/4 Heavy	34	119-7827	4	HYD Hose ASM
14	321-3	2	Screw-HH 1/4-20 X 5/8	42	126-2056	2	Decal-Torque Wheel Lug-Hub
15	1-603718	2	HYD Motor ASM				
15:1	1-000119	1	Seal Kit				

● Not serviced separately

■ Use Exmark Premium Hydro Oil P/N 109-9828 (32oz)

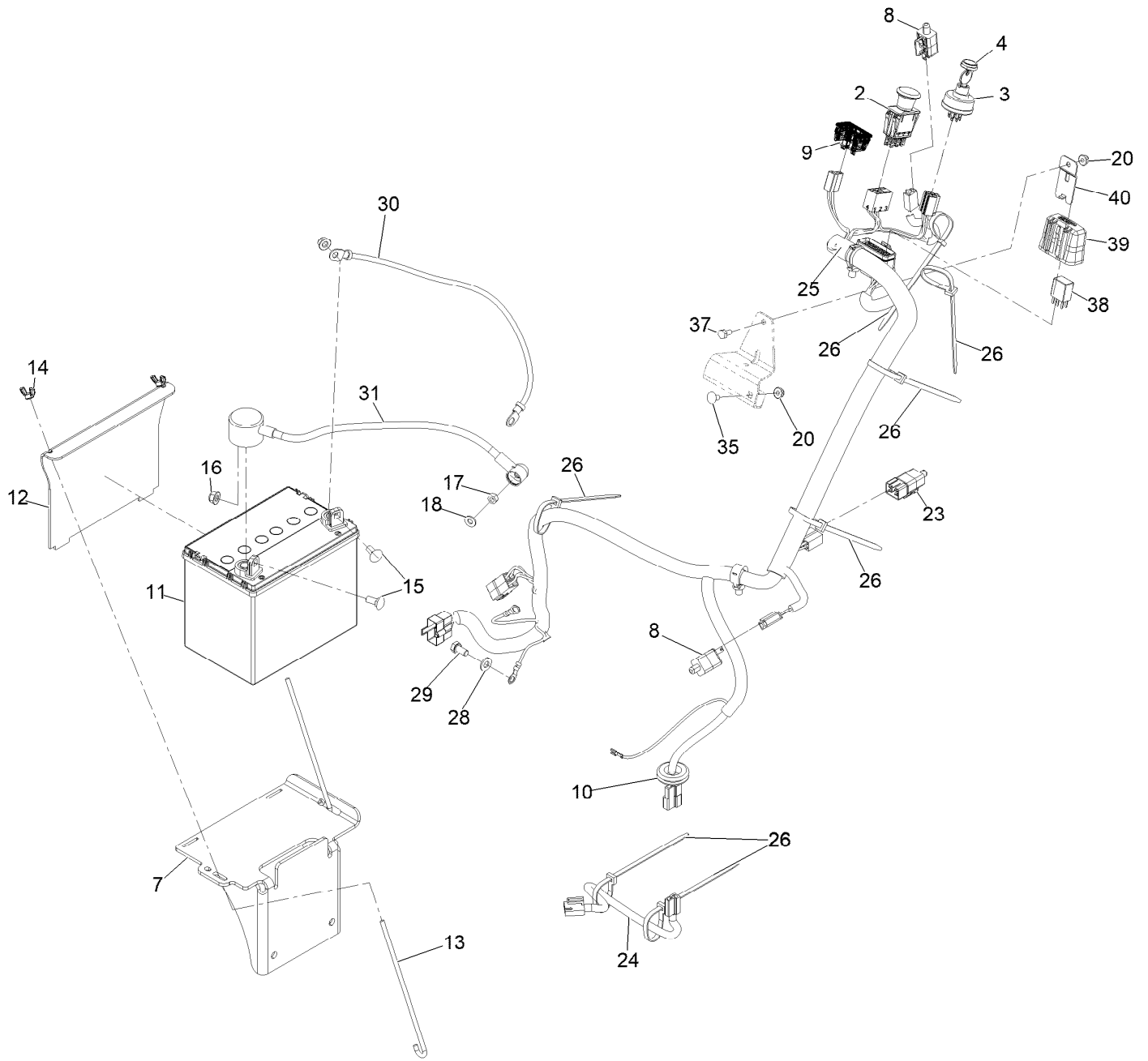
Pump Idler Assembly No. 126-0615



Pump Idler Assembly No. 126-0615 (continued)

<i>Ref.</i>	<i>Part Number</i>	<i>Qty.</i>	<i>Description</i>	<i>Ref.</i>	<i>Part Number</i>	<i>Qty.</i>	<i>Description</i>
1	109-4077	1	Pulley-Idler, Flat	6	1-373034	1	Washer
3	109-8054	2	Bushing-Flanged	7	98-5975	1	Washer-Spring Disc 3/8
4	116-8718	1	Spacer, Pivot	8	104-8301	1	Nut-Nyloc 3/8-16 Flg
5	126-1680	1	Screw-HHF	9	112-7451	1	Screw-TAP

Electrical Assembly



Electrical Assembly (continued)

<i>Ref.</i>	<i>Part Number</i>	<i>Qty.</i>	<i>Description</i>	<i>Ref.</i>	<i>Part Number</i>	<i>Qty.</i>	<i>Description</i>
2	103-5221	1	Switch-PTO	20	104-7201	3	Nut-Nyloc 1/4-20 Flg
3	135-2253	1	Switch, Key Start	23	126-1904	1	Switch, 2 Pole
4	103-0498	1	Nut-Ignition	24	126-0624	1	Harness-Clutch Pigtail
7	126-1470-03	1	Weld, Battery Mount	25	126-6172	1	Harness-Wiring ▲
8	110-6765	2	Switch	26	3290-378	7	Tie-Cable
9	126-3931	1	Meter-Hour	28	33094-00	1	Washer
10	1-543286	1	Grommet	29	33114-016	1	Screw-HH M8-1.25 X 16Mm
11		1	Battery ■	30	1-413540	1	Cable-Battery, Negative ●
12	126-0069-03	1	Bracket, Battery Hold Down	31	109-7628	1	Cable, Battery +
13	1-633651	2	Bolt-Holddown	35	3229-10	2	Bolt-Carriage 1/4-20 X 1/2
14	1-543792	2	Wingnut-Nyloc 1/4-20	37	321-2	1	Screw-HH 1/4-20 X 1/2
15	3230-1	2	Bolt-Carriage 5/16-18 X 3/4	38	126-6157	1	Relay-Micro 280, Spdt
16	104-8300	2	Nut-Nyloc 5/16-18 Flg	39	32180-176	1	Cover-Block, Fuse
17	3217-5	1	Nut-Hex 1/4-20	40	32180-177	1	Clip-Mounting
18	3256-22	1	Washer-1/4 SAE				

● Not illustrated

■ Not serviced separately

▲ Use dielectric grease on all unsealed connectors and terminals only. Do not apply in sealed connectors.

Notes:



MAXIMIZE THE PERFORMANCE OF YOUR EXMARK MACHINE.



EXMARK® PREMIUM ENGINE OIL

Exmark now offers a family of engine oil viscosities to perform well in any environment. Each viscosity has the same synthetic formulation to give you what you need in punishing conditions. We designed each grade to the highest quality, making it ideal even for diesel applications. Coupled with Exmark Premium Fuel Treatment, we have the performance products to make your machine hum.

EXMARK PREMIUM ENGINE OIL SAE 30/10W-30

- Meets zero shear requirements of a straight grade SAE 30 as well as the cold temp properties of a 10W-30.
- Most versatile oil in the industry.
- Superior corrosion protection over conventional oil - even in corrosive, humid environments.

EXMARK PREMIUM ENGINE OIL SAE 20W-50

- Perfect for your big block engine, or any application in severe service.
- Same full synthetic formulation as all other Exmark Premium viscosities.
- Also effective for use in severe service small block engines.

EXMARK PREMIUM ENGINE OIL SAE 10W-50

- Full synthetic formulation gives you peak performance. Don't settle for less.
- Wide span multi-grade combines easy starting in cold weather with maximum protection in high temperature operation.
- Reduce friction & wear over standard mineral formulations.

EXMARK PREMIUM ENGINE OIL SAE 0W-40

- The perfect choice for when the weather turns cold or unpredictable, and your Exmark UTV has to perform.
- Commercial quality for severe service.
- Advanced additive package helps prevent corrosion from long-term storage.

EXMARK PREMIUM ENGINE OIL UTV FORMULATION

- 4-cycle high-temp formulation.
- Heavier viscosity, full synthetic, perfect for your UTV.

EXMARK PREMIUM UTV EXTREME CONDITIONS GEAR OIL

- SAE 80W-90, designed to keep your UTV performing at its peak.
- Shear stable, hypoid gear lube.
- Includes a premium additive system to combat wear, oxidation, rust & corrosion.

Available from your local Exmark dealer. Find your closest dealer at exmark.com

EXMARK ACCESSORIES AND OPTIONS*

MID-MOUNT RIDING ACCESSORIES AND OPTIONS

CUSTOM RIDE SEAT SUSPENSION SYSTEM	OPERATOR CONTROLLED DISCHARGE
FULL SUSPENSION SEAT	SUN SHADE
DECK LIFT ASSIST KIT	TRASH CONTAINER
HITCH KIT	TURF STRIPER
LIGHT KIT	ULTRA VAC COLLECTION SYSTEM
12V POWER PORT	ULTRA VAC QUICK DISPOSAL SYSTEM
MICRO-MULCH SYSTEM	

OUT-FRONT RIDING ACCESSORIES AND OPTIONS

CUSTOM RIDE SEAT SUSPENSION SYSTEM	SNOW BLADE
DUAL-TAIL WHEEL	SNOWBLOWER
FLOOR PAN EXTENDER	SUN SHADE
HITCH KIT	TRASH CONTAINER
LIGHT KIT	ULTRA VAC COLLECTION SYSTEM
MICRO-MULCH SYSTEM	ULTRA VAC QUICK DISPOSAL SYSTEM
ROLL OVER PROTECTION SYSTEM (ROPS)	WEATHER CAB

WALK-BEHIND ACCESSORIES AND OPTIONS

GRASS CATCHER	TURF STRIPER
MICRO-MULCH SYSTEM	STANDON

*Some accessories and options not available for some models.

Place Model No. and Serial No.
Label Here (Included in the Literature
Pack) or Fill in Below

Model No. _____

Serial No. _____

Date Purchased _____

Engine Model No. and Spec. No. _____

Engine Serial No. (E/No) _____

© 2022 Exmark Mfg. Co., Inc.
415 Industrial Row
Beatrice, NE 68310
All Rights Reserved

Part No. 4506-278 Rev. A
(402) 223-6300
Printed in the USA.

