



Count on it.

Parts Catalog

**GeoLink® Precision Spray
System Finishing Kit**

**Serial Number 315000001 and After Multi
Pro® 1750 Turf Sprayer**

Model No. 41674—Serial No. 409900000 and Up



Ordering Replacement Parts

To order replacement parts, please supply the part number, the quantity, and the description of each part desired.

Understanding Reference Numbers

Each identified part in an illustration has a reference number. The reference number for a part also appears in the parts list, along with other information about the part.

This catalog uses two special reference number formats, one to indicate parts in a service assembly and another to indicate the quantity of a given part in an illustration.

Service Assembly Reference Numbers

Parts in service assemblies have reference numbers in the form a:b. The a represents the reference number of the entire service assembly and the b represents a sequential number unique to each part within the service assembly.

For example, a wheel assembly might be identified by reference number 6, the tire by 6:1, the valve by 6:2, and the wheel by 6:3. When you order the assembly identified by reference number 6, you receive all parts identified by reference numbers 6:1, 6:2, and 6:3. However, you may also order any part individually. Reference numbers of this type appear in illustration and in parts lists.

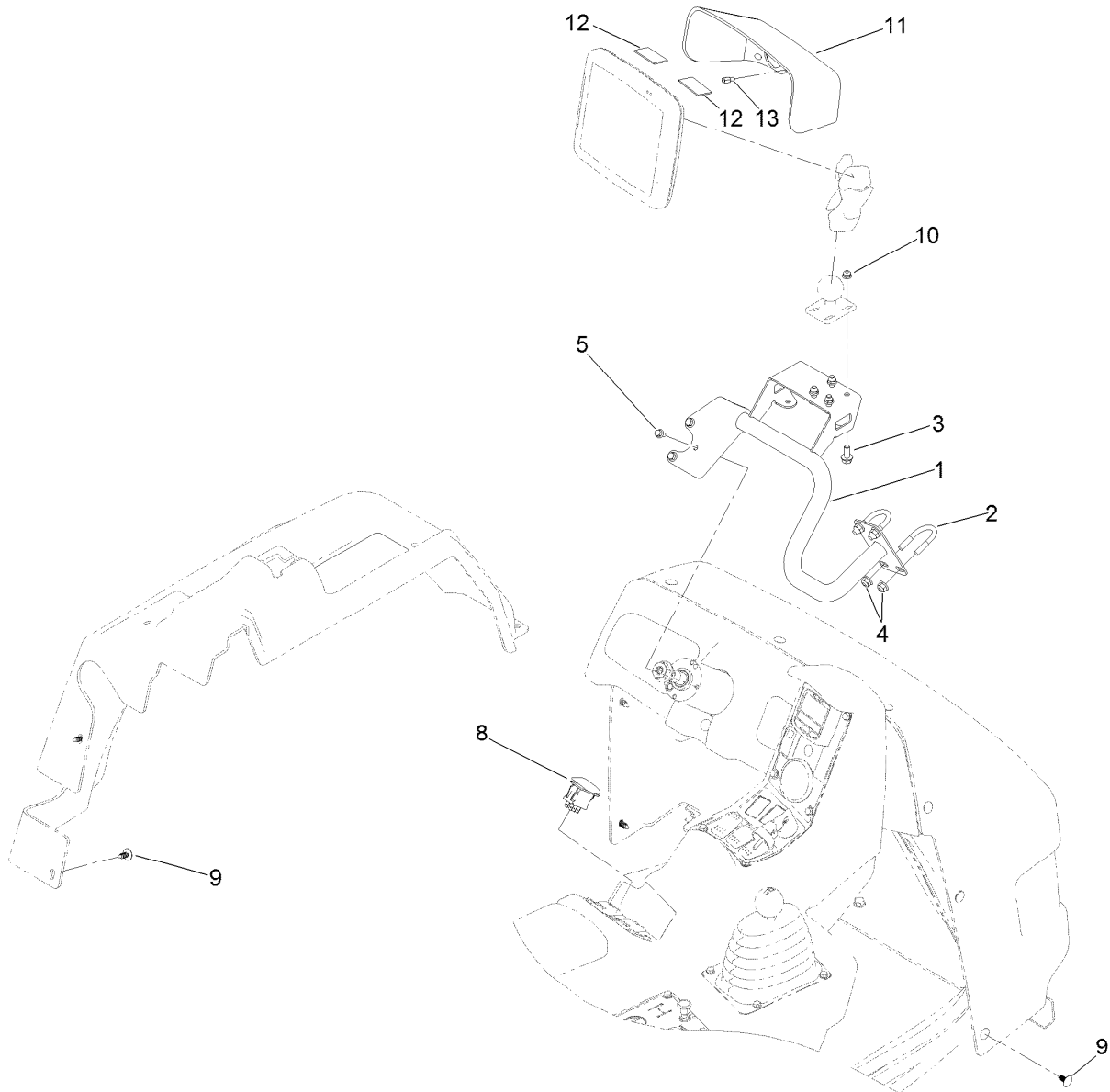
Reference Numbers Indicating Quantity

In an illustration, if a reference number indicates more than one part, the reference number has the form nX y. The n represents the quantity of the part, the X is the multiplication symbol, and the y represents the reference number.

For example, in an illustration, the reference number 2X 37 means that two of the parts identified by reference number 37 are indicated.

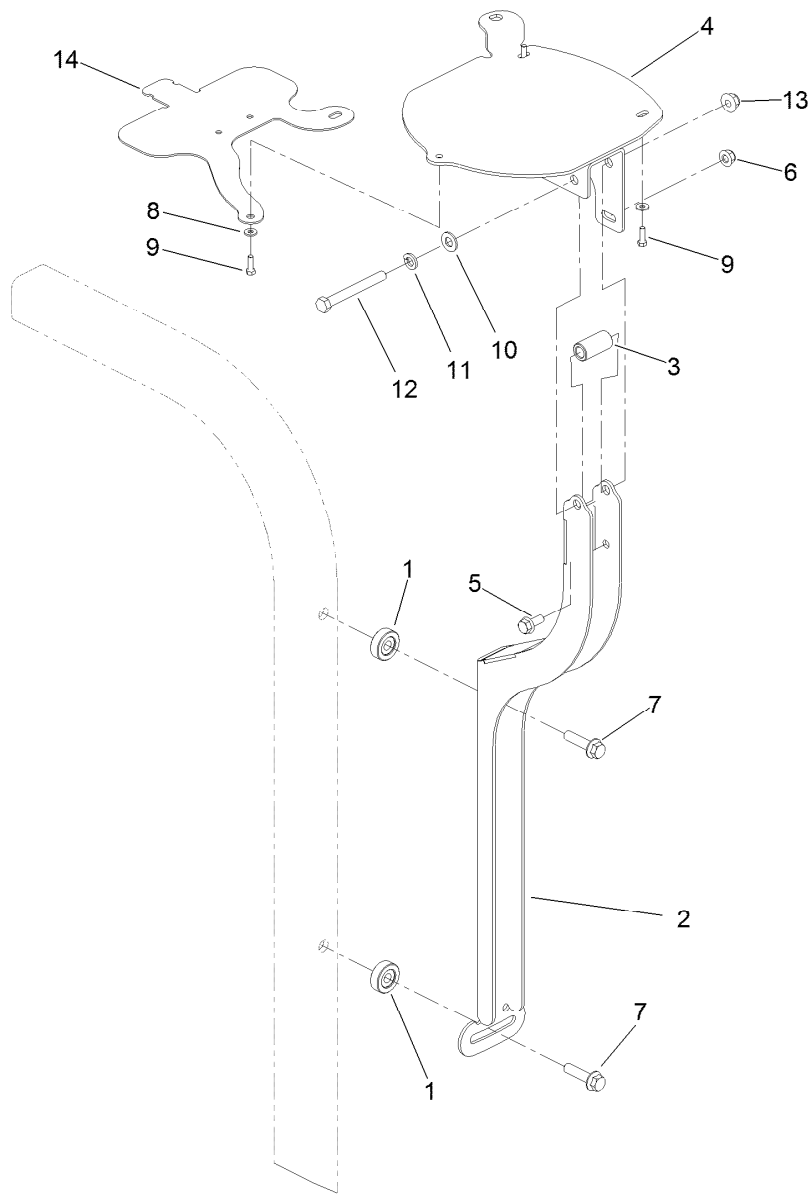
Contents

Monitor Mount and Display Cover Assembly	4
Receiver Mount and Antenna Bracket Assembly	5
Flowmeter Mount and Hose Assembly	6
Hose Assembly No. 136-0467	7
GPS Valve Mount and Hose Assembly	8
Section Valve Manifold Assembly	9
On/Off Manifold Valve Kit No. 127-9803	10
Bypass Valve Assembly No. 127-9805	11
Actuator On/Off Assembly No. 140-7377	12
Center Boom Assembly	13
Double Turret Body Assembly No. 108-3727	14
Electrical Assembly	15



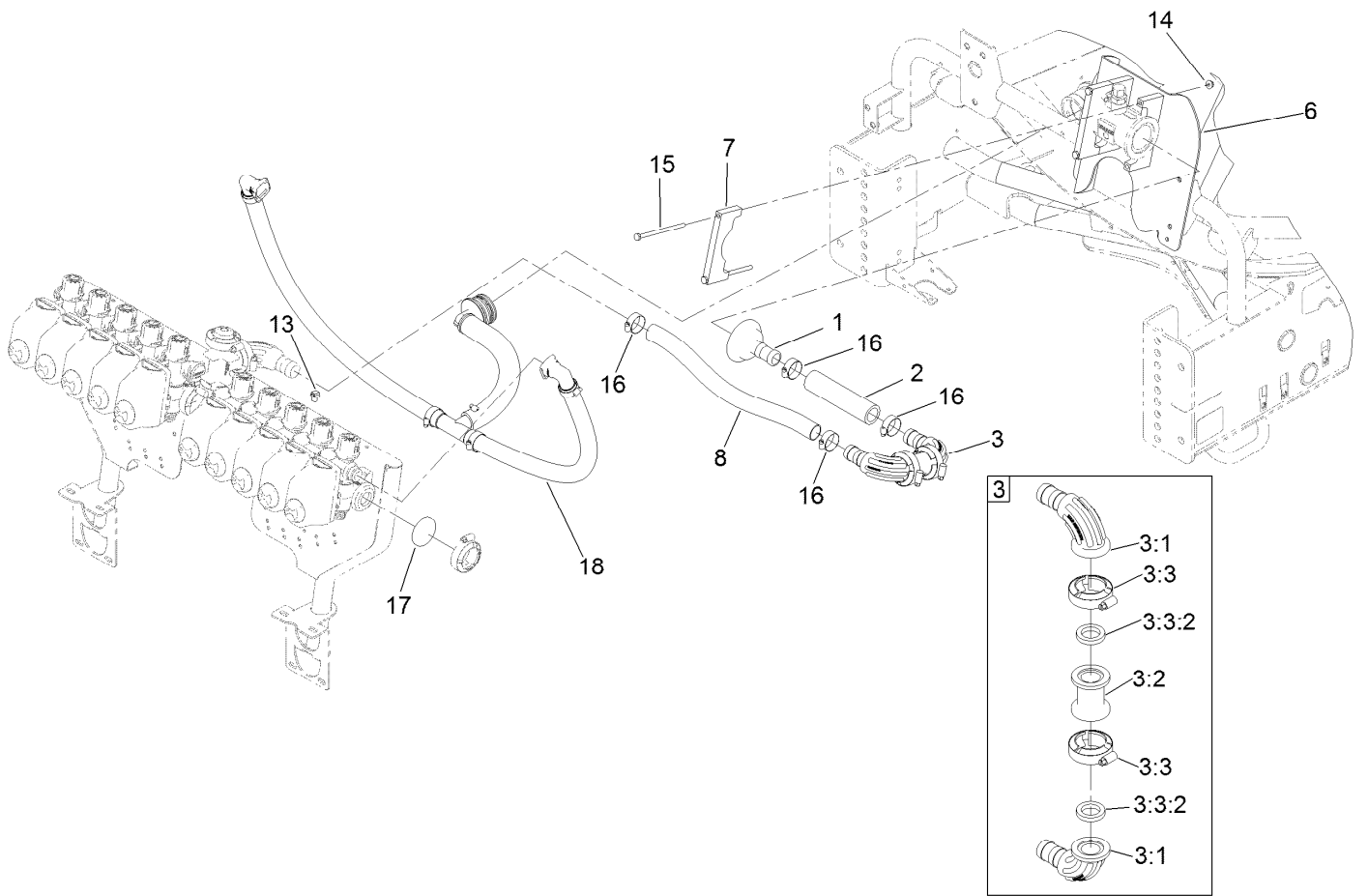
Monitor Mount and Display Cover Assembly

<i>Ref.</i>	<i>Part Number</i>	<i>Qty.</i>	<i>Description</i>
1	133-2844-03	1	Mount-Monitor
2	60-9350	2	U-Bolt
3	3234-5	4	Screw-HHF
4	104-8300	4	Nut-HF, NI
5	33103-012	3	Screw-HHF
8	99-7420	1	Plug-Hole
9	117-2382	14	Plug-Plastic
10	104-7201	4	Nut-HF, NI
11	136-0453	1	Cover-Display
12	132-4328	2	Strip-Adhesive
13	131-3796	1	Nut-Standoff



Receiver Mount and Antenna Bracket Assembly

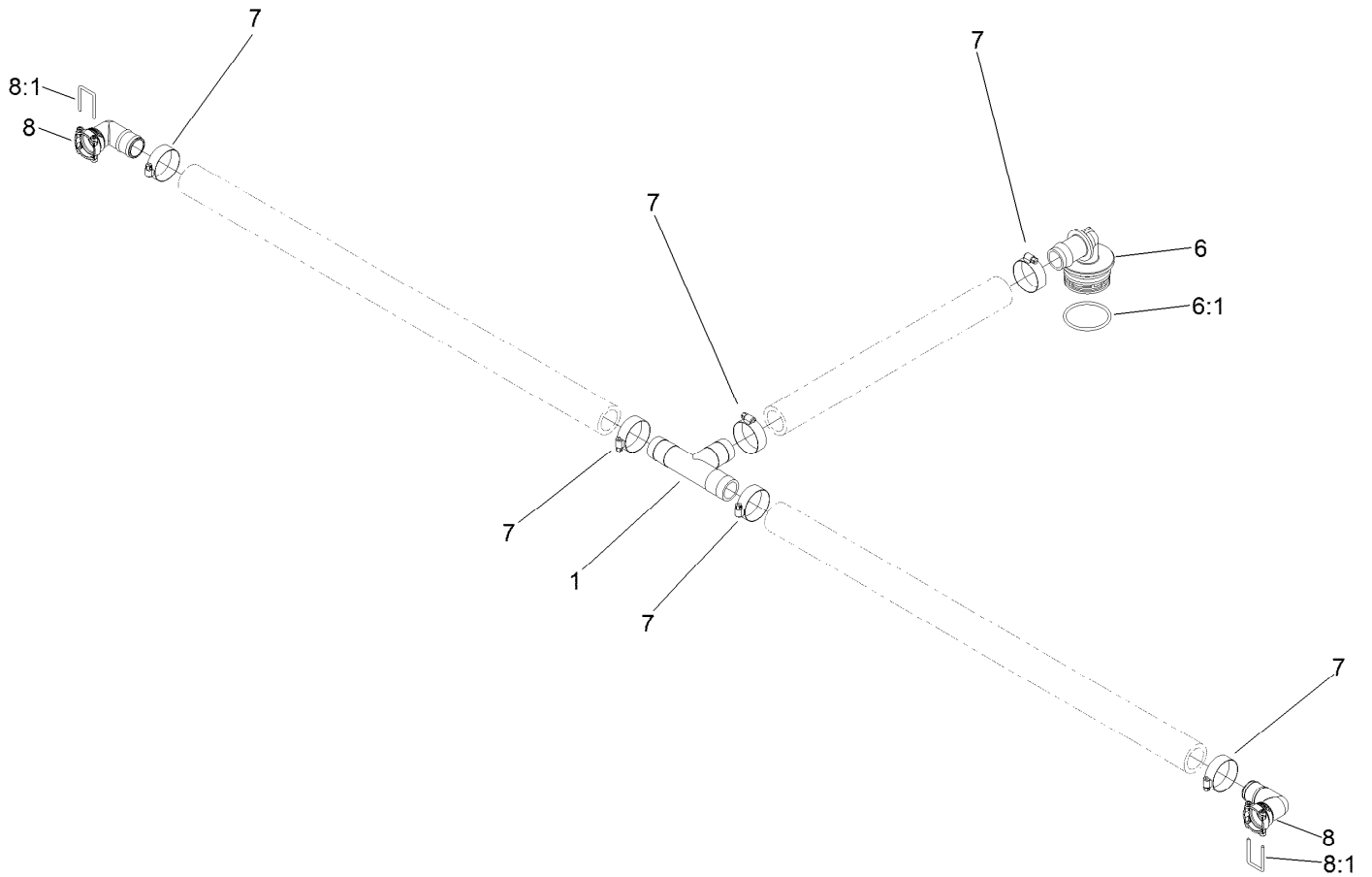
<i>Ref.</i>	<i>Part Number</i>	<i>Qty.</i>	<i>Description</i>
1	133-2896	2	Spacer-Standoff
2	133-2891-03	1	Mount-Receiver
3	110-3726	1	Spacer
4	133-2895-03	1	Plate-Receiver
5	3234-47	1	Screw-HHF
6	104-8300	1	Nut-HF, NI
7	114-4681	2	Screw-HHF
8	3256-14	3	Washer-Flat
9	60-6910	3	Screw-HH
10	3256-24	1	Washer-Flat
11	3253-21	1	Washer-Lock
12	323-20	1	Screw-HH
13	104-8301	1	Nut-HF, NI
14	140-1388-03	1	Bracket-Mount, Antenna



Flowmeter Mount and Hose Assembly

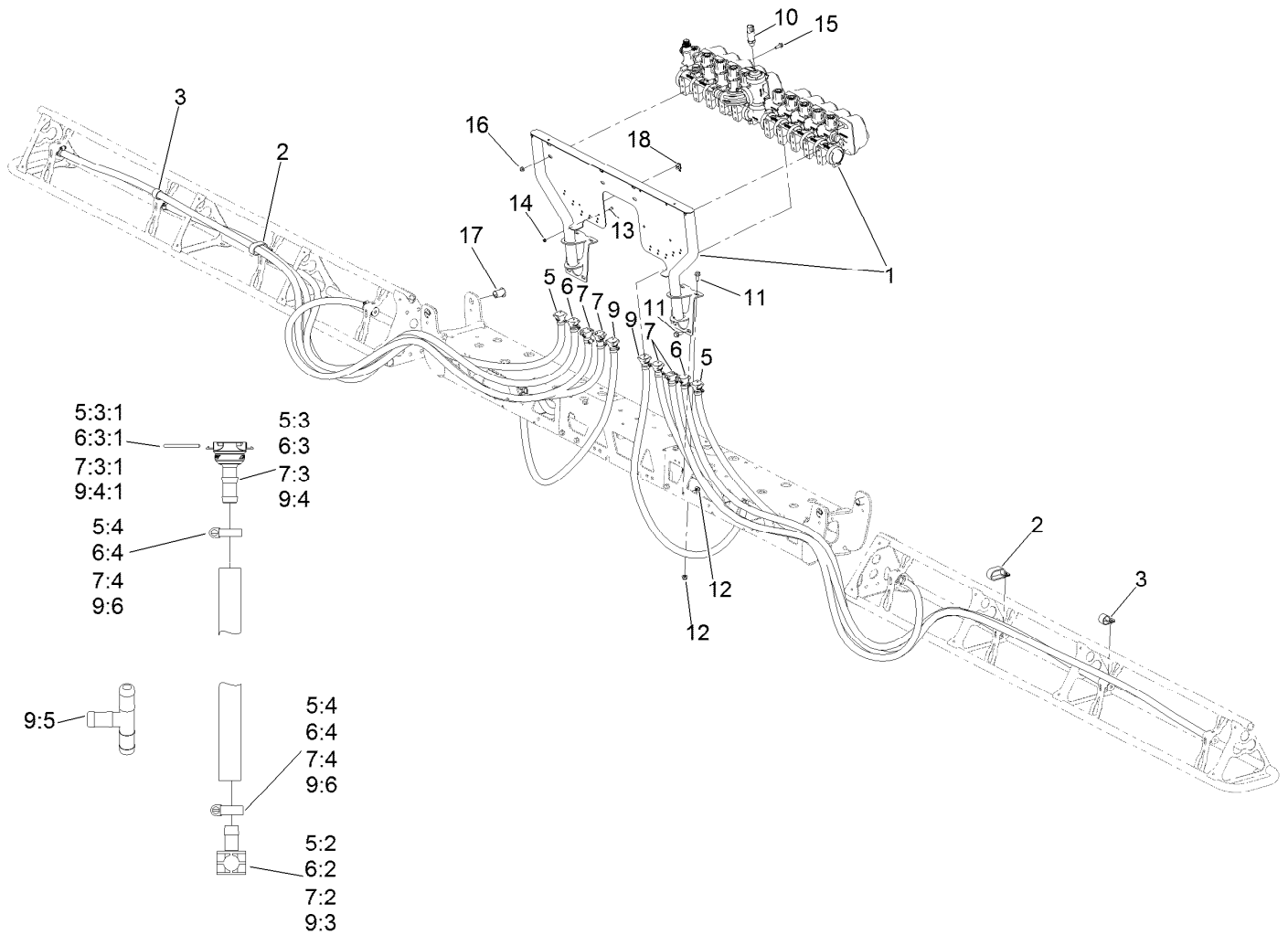
Ref.	Part Number	Qty.	Description	Ref.	Part Number	Qty.	Description
1	107-8704	1	Hosebarb	13	32180-030	1	Clip-Tie
2	133-2774	1	Hose-Supply	14	104-7201	4	Nut-HF, NI
3	138-0646	1	Manifold-Connection	15	321-38	4	Screw-HH
3:1	131-0241	2	Fitting-Elbow, Sweep	16	2412-34	4	Clamp-Hose
3:2	127-9814	1	Fitting-Adapter	17	127-9815	1	Fitting-Cap
3:3	127-9829	2	Clamp/Gasket Kit	18	136-0467	1	Hose Assembly
3:3:2	127-1145	1	Gasket-Flange	99	127-9811	1	Fitting-Cap, Female ●
6	133-2818-03	1	Mount-Flowmeter	99	131-5838	1	Shutoff Bypass Valve ASM ●
7	132-7605	4	Clamp-Flowmeter	99:1	133-0398	1	Pin-Fork ●
8	132-4311	1	Hose-Agitation				

● Not illustrated



Hose Assembly No. 136-0467

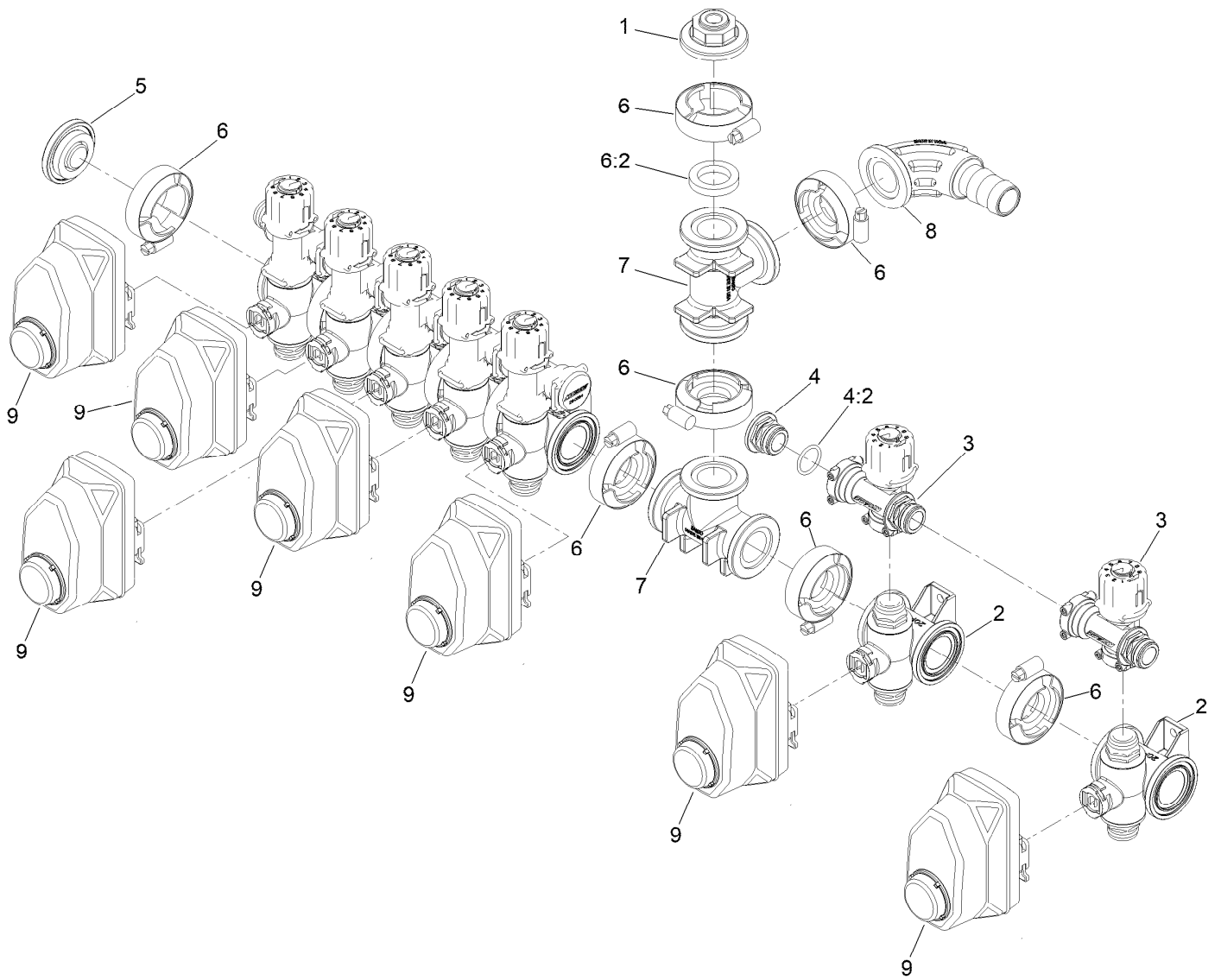
<i>Ref.</i>	<i>Part Number</i>	<i>Qty.</i>	<i>Description</i>
1	117-7866	1	Tee-Hosebarb
6	106-4933	1	Hosebarb ASM
6:1	100-8637	1	O-Ring
7	2412-34	6	Clamp-Hose
8	131-0213	2	90 DEG Barb Fitting Kit
8:1	133-0398	1	Pin-Fork



GPS Valve Mount and Hose Assembly

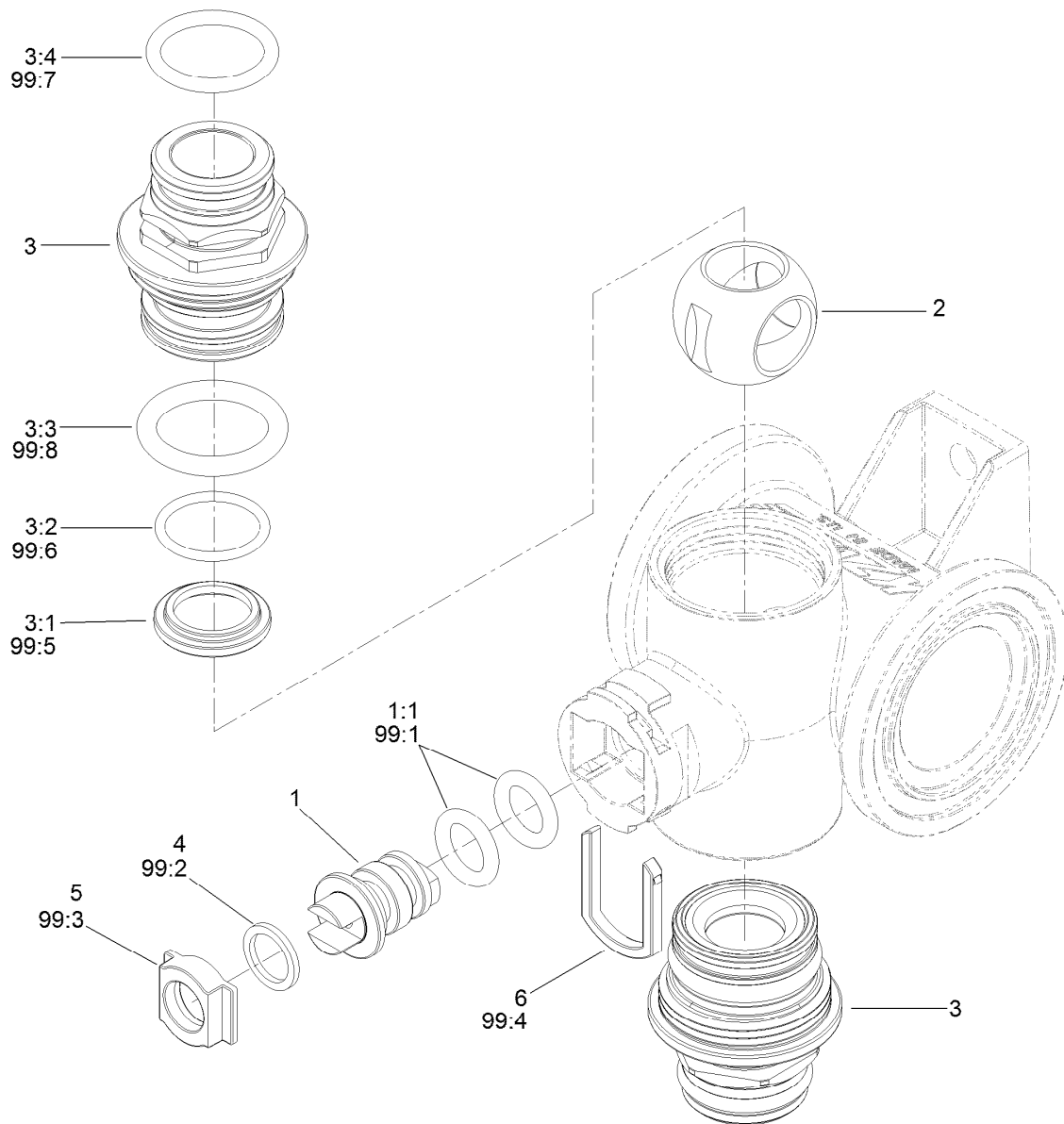
Ref.	Part Number	Qty.	Description	Ref.	Part Number	Qty.	Description
1		1	GPS Valve Mount ASM ●	7:4	2412-36	2	Clamp-Hose
2	2412-137	2	Clamp-R, Double	9	131-7292	2	Hose Nozzle ASM
3	2412-39	2	Clamp-R	9:3	130-7265	2	Shank-Nozzle, Single
5	131-7288	2	Hose Nozzle ASM	9:4	139-3088	1	Kit-Fitting, Qc 1/2" STR Barb
5:2	130-7265	1	Shank-Nozzle, Single	9:4:1	133-0398	1	Pin-Fork
5:3	139-3088	1	Kit-Fitting, Qc 1/2" STR Barb	9:5	131-3736	1	Fitting-Tee, Barb
5:3:1	133-0398	1	Pin-Fork	9:6	2412-36	6	Clamp-Hose
5:4	2412-36	2	Clamp-Hose	10	130-8202	1	Transducer-Pressure
6	131-7289	2	Hose Nozzle ASM	11	3234-47	8	Screw-HHF
6:2	130-7265	1	Shank-Nozzle, Single	12	104-8300	8	Nut-HF, NI
6:3	139-3088	1	Kit-Fitting, Qc 1/2" STR Barb	13	60-6500	3	Screw-HH
6:3:1	133-0398	1	Pin-Fork	14	140-3749	3	Nut-Lock Rohs
6:4	2412-36	2	Clamp-Hose	15	3234-4	2	Screw-HHF
7	131-7290	4	Hose Nozzle ASM	16	104-7201	2	Nut-HF, NI
7:2	130-7265	1	Shank-Nozzle, Single	17	100-8541	4	Bushing-A Arm
7:3	139-3088	1	Kit-Fitting, Qc 1/2" STR Barb	18	32180-161	3	Clip-Connector
7:3:1	133-0398	1	Pin-Fork				

● Not serviced separately



Section Valve Manifold Assembly

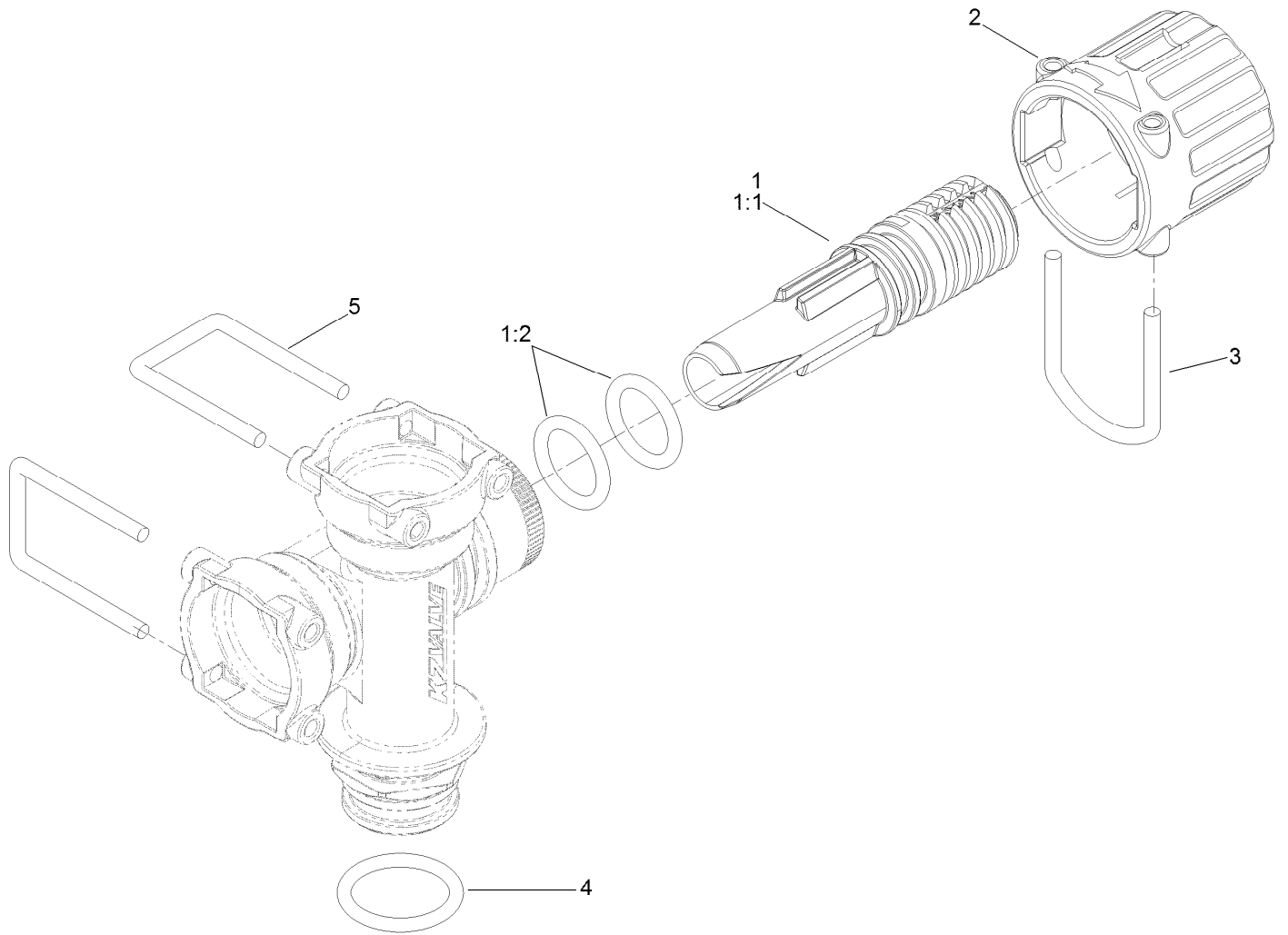
<i>Ref.</i>	<i>Part Number</i>	<i>Qty.</i>	<i>Description</i>
1	127-1185	1	Fitting-Cap, Port
2	127-9803	7	On/Off Manifold Valve Kit
3	127-9805	7	Bypass Valve ASM
4	127-9810	2	Male Cap Fitting Kit
4:2	127-1187	1	O-Ring, Endcap
5	127-9815	1	Fitting-Cap
6	127-9829	11	Clamp/Gasket Kit
6:2	127-1145	1	Gasket-Flange
7	127-9834	2	Fitting-Tee
8	131-0241	1	Fitting-Elbow, Sweep
9	140-7377	7	Kit-Actuator Pi, On/Off



On/Off Manifold Valve Kit No. 127-9803

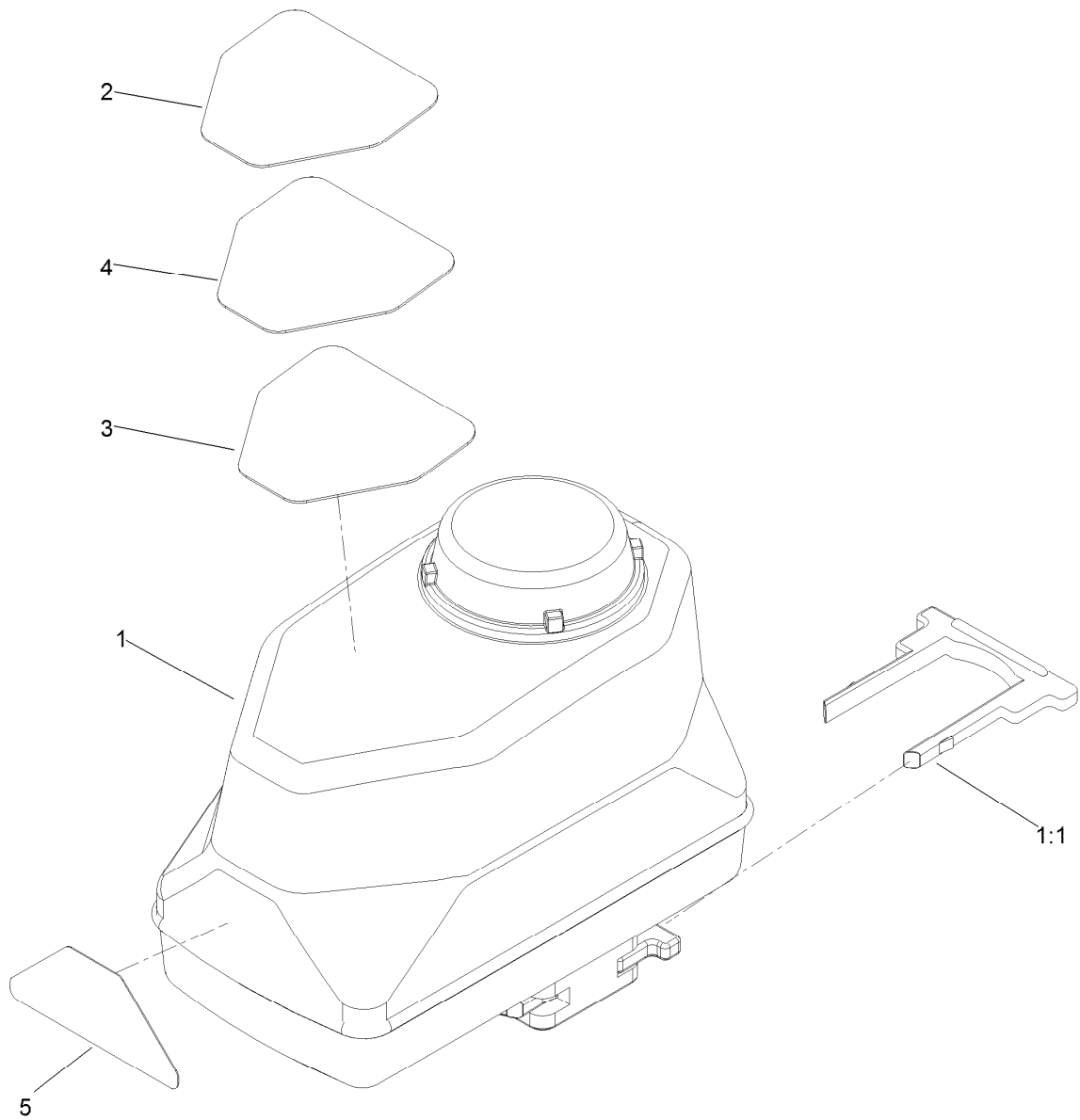
<i>Ref.</i>	<i>Part Number</i>	<i>Qty.</i>	<i>Description</i>	<i>Ref.</i>	<i>Part Number</i>	<i>Qty.</i>	<i>Description</i>
1	130-8248	1	Valve Stem Kit	6	127-1190	1	Fork-Stem, Valve
1:1	127-1197	2	O-Ring-Stem	99	130-7304	1	Valve Repair Kit ●
2	127-1194	1	Ball-Valve, 3Way	99:1	127-1197	2	O-Ring-Stem
3	130-7317	2	Endcap Kit	99:2	127-1196	2	Washer-Stem, Valve
3:1	127-1192	1	Seat-Ball	99:3	127-1195	1	Seat-Stem, Valve
3:2	127-1188	1	O-Ring, Seat (Ball)	99:4	127-1190	1	Fork-Stem, Valve
3:3	127-1189	1	O-Ring, Endcap	99:5	127-1192	2	Seat-Ball
3:4	127-1187	1	O-Ring, Endcap	99:6	127-1188	2	O-Ring, Seat (Ball)
4	127-1196	1	Washer-Stem, Valve	99:7	127-1187	2	O-Ring, Endcap
5	127-1195	1	Seat-Stem, Valve	99:8	127-1189	2	O-Ring, Endcap

● Not illustrated



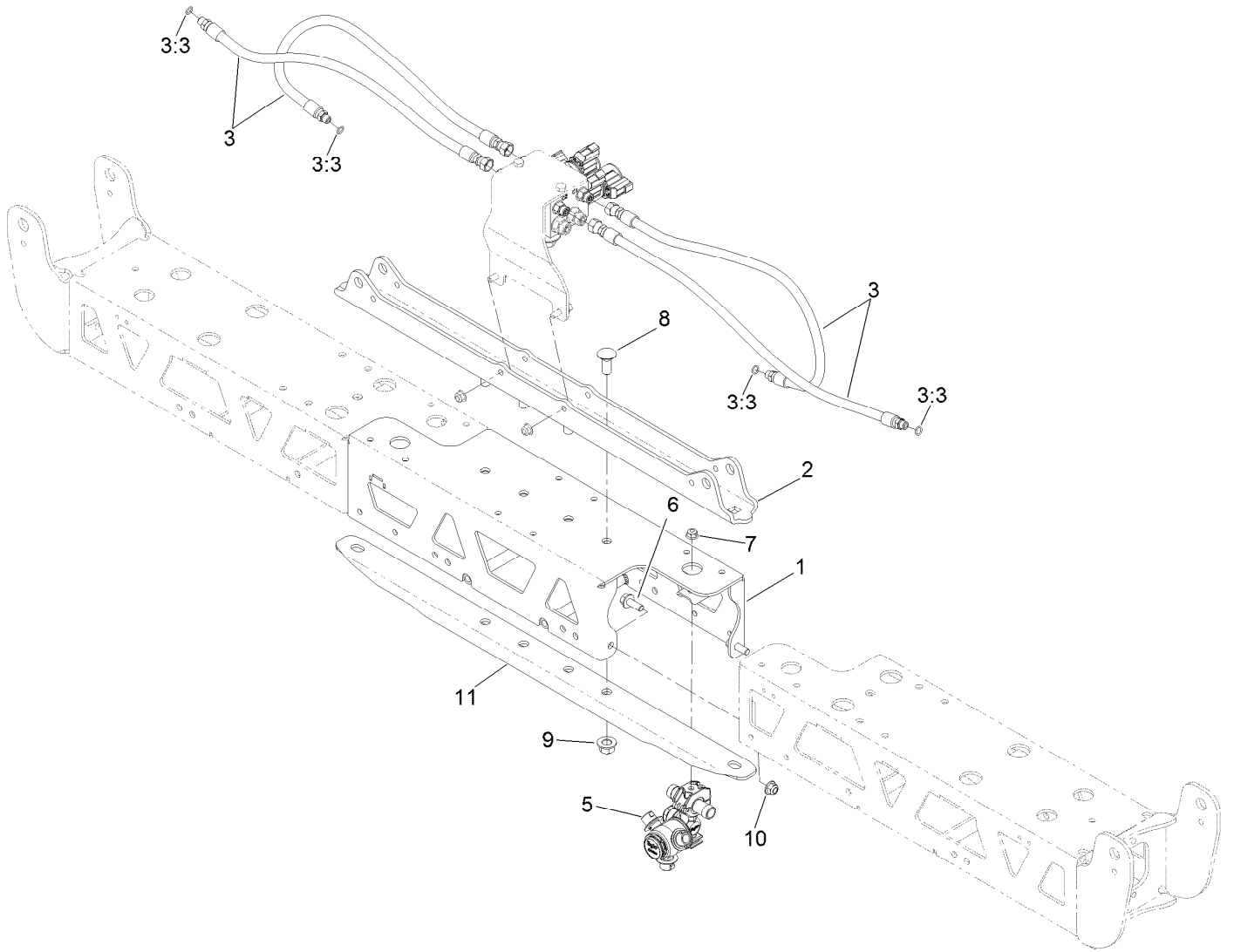
Bypass Valve Assembly No. 127-9805

<i>Ref.</i>	<i>Part Number</i>	<i>Qty.</i>	<i>Description</i>
1	131-0298	1	Bypass Needle Kit
1:1	127-1182	1	Needle-Bypass
1:2	127-1181	2	Oring-Bypass Needle
2	127-1180	1	Knob-Bypass
3	127-1179	1	Fork-Bypass Knob
4	127-1187	1	O-Ring, Endcap
5	133-0398	2	Pin-Fork



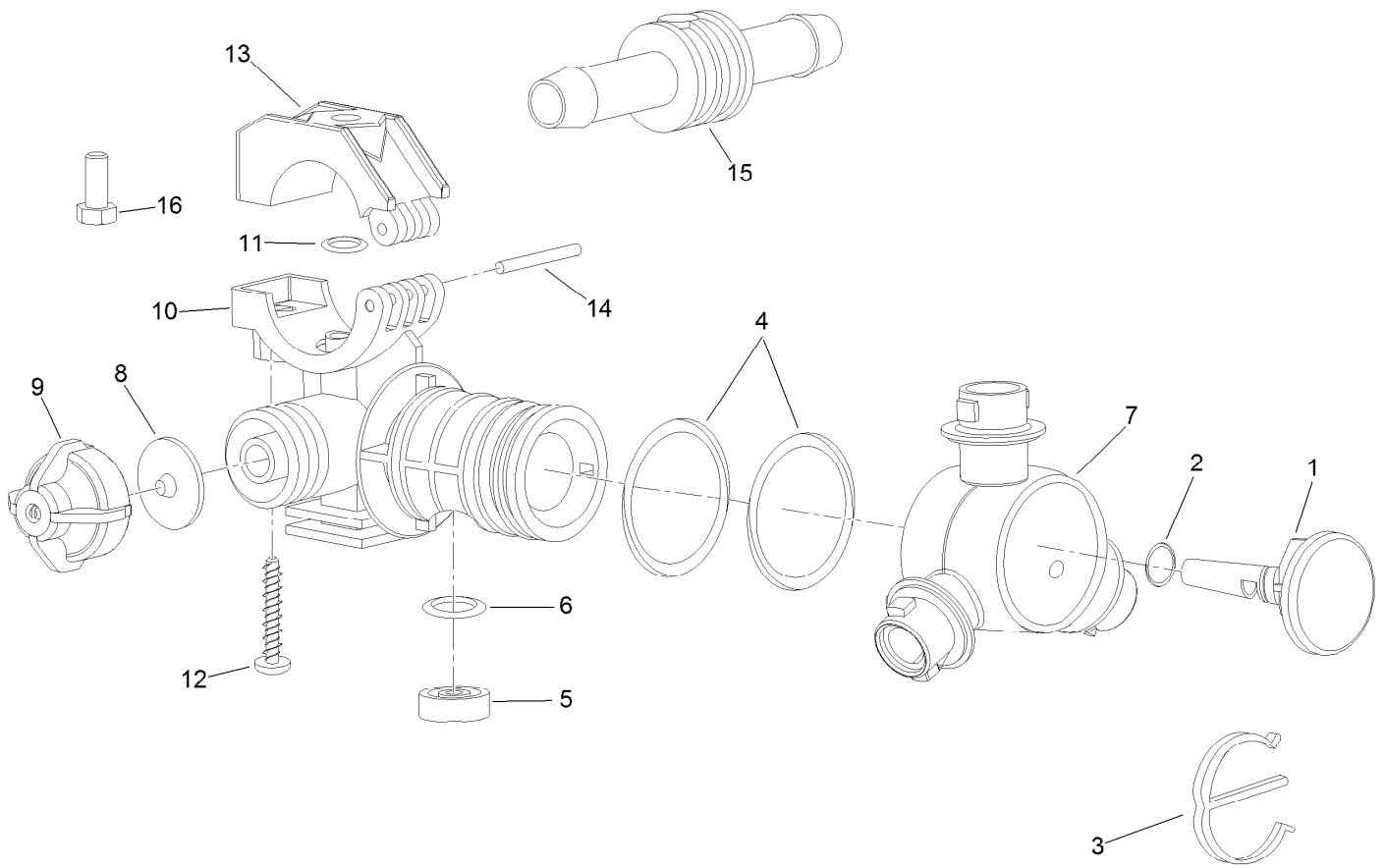
Actuator On/Off Assembly No. 140-7377

<i>Ref.</i>	<i>Part Number</i>	<i>Qty.</i>	<i>Description</i>
1	140-7315	1	Actuator - On/Off
1:1	130-7301	1	Hairpin-Actuator
2	127-6979	1	Decal-Valve, Agitation
3	127-6981	1	Decal-Valve, On/Off
4	127-6982	1	Decal-Valve, Master Boom
5	127-6976	1	Decal-Valve, Bypass Adjust



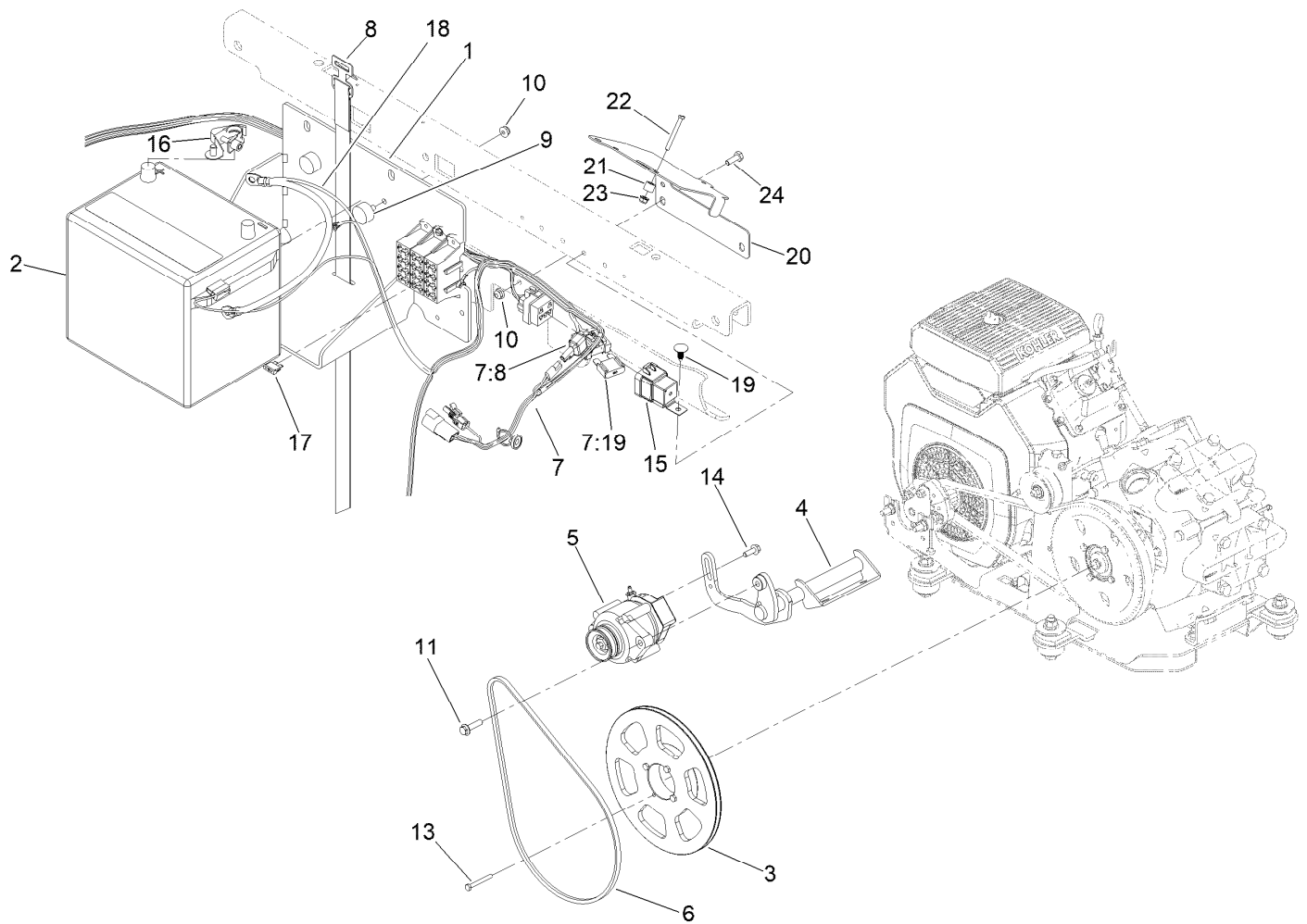
Center Boom Assembly

<i>Ref.</i>	<i>Part Number</i>	<i>Qty.</i>	<i>Description</i>
1	133-0412-03	1	Center-Center, Boom
2	131-0275-03	1	Plate-Mount
3	131-0276	4	Hose ASM
3:3	237-78	1	O-Ring
5	108-3727	1	Double Turret Body ASM
6	3234-42	4	Screw-HHF
7	104-8300	1	Nut-HF, NI
8	110-5067	4	Screw-CARR
9	99-5107	4	Nut-Lock
10	104-8301	4	Nut-HF, NI
11	131-0285-03	1	Stiffener-Channel



Double Turret Body Assembly No. 108-3727

<i>Ref.</i>	<i>Part Number</i>	<i>Qty.</i>	<i>Description</i>	<i>Ref.</i>	<i>Part Number</i>	<i>Qty.</i>	<i>Description</i>
1	95-9200	1	Plug	9	95-9193	1	Cap-Diaphragm
2	95-9198	1	O-Ring	10	95-9192	1	Body-Split Eyelet
3	95-9197	1	E-Clip	11	95-9191	1	O-Ring
4	95-9199	2	O-Ring	12	99-0811	1	Screw-Clamp
5	108-3264	1	Seal-Viton	13	99-0812	1	Clamp-Upper
6	108-3265	1	O-Ring-Viton	14	99-0814	1	Pin-Pivot
7	95-9196	1	Turret	15	95-9202	1	Shank-Hose
8	41003	1	Diaphragm	16	322-3	1	Screw-HH



Electrical Assembly

Ref.	Part Number	Qty.	Description	Ref.	Part Number	Qty.	Description
1	145-3365-03	1	Bracket-Battery	13	100-5858	4	Screw-HH
2	136-3726	1	Battery-12V Agm 35-650	14	33104-025	1	Screw-HHF
3	133-2804	1	Pulley	15	99-7430	1	Relay-Mini
4	136-0483-03	1	Mount-Alternator	16	119-9674	1	Terminal-Clamp, Quick
5	133-2851	1	Alternator	17	109355	1	Fuse-Blade, 15 Amp
6	610040	1	V-Belt	18	122-0838	1	Cable-Battery, Positive
7	122-0794	1	Harness-Wire	19	117-2382	1	Plug-Plastic
7:8	100-4918	1	Diode	20	140-1394-03	1	Bracket-Modem
7:19	94-8002	1	Fuse-Blade, 50 Amp	21	138-9250	2	Spacer
8	3339-175	1	Strapping-Web	22	3290-424	2	Screw-SHH
9	240-14	2	Bumper-Rubber	23	138-0719	2	Nut-HF
10	104-7201	3	Nut-HF, NI	24	321-4	1	Screw-HH
11	3234-18	1	Screw-HHF				



Count on it.