



Count on it.

Parts Catalog

TimeCutter® 4200C

Riding Mower

Model No. 75741—Serial No. 40000000 and Up



Ordering Replacement Parts

To order replacement parts, please supply the part number, the quantity, and the description of each part desired.

Understanding Reference Numbers

Each identified part in an illustration has a reference number. The reference number for a part also appears in the parts list, along with other information about the part.

This catalog uses two special reference number formats, one to indicate parts in a service assembly and another to indicate the quantity of a given part in an illustration.

Service Assembly Reference Numbers

Parts in service assemblies have reference numbers in the form a:b. The a represents the reference number of the entire service assembly and the b represents a sequential number unique to each part within the service assembly.

For example, a wheel assembly might be identified by reference number 6, the tire by 6:1, the valve by 6:2, and the wheel by 6:3. When you order the assembly identified by reference number 6, you receive all parts identified by reference numbers 6:1, 6:2, and 6:3. However, you may also order any part individually. Reference numbers of this type appear in illustration and in parts lists.

Reference Numbers Indicating Quantity

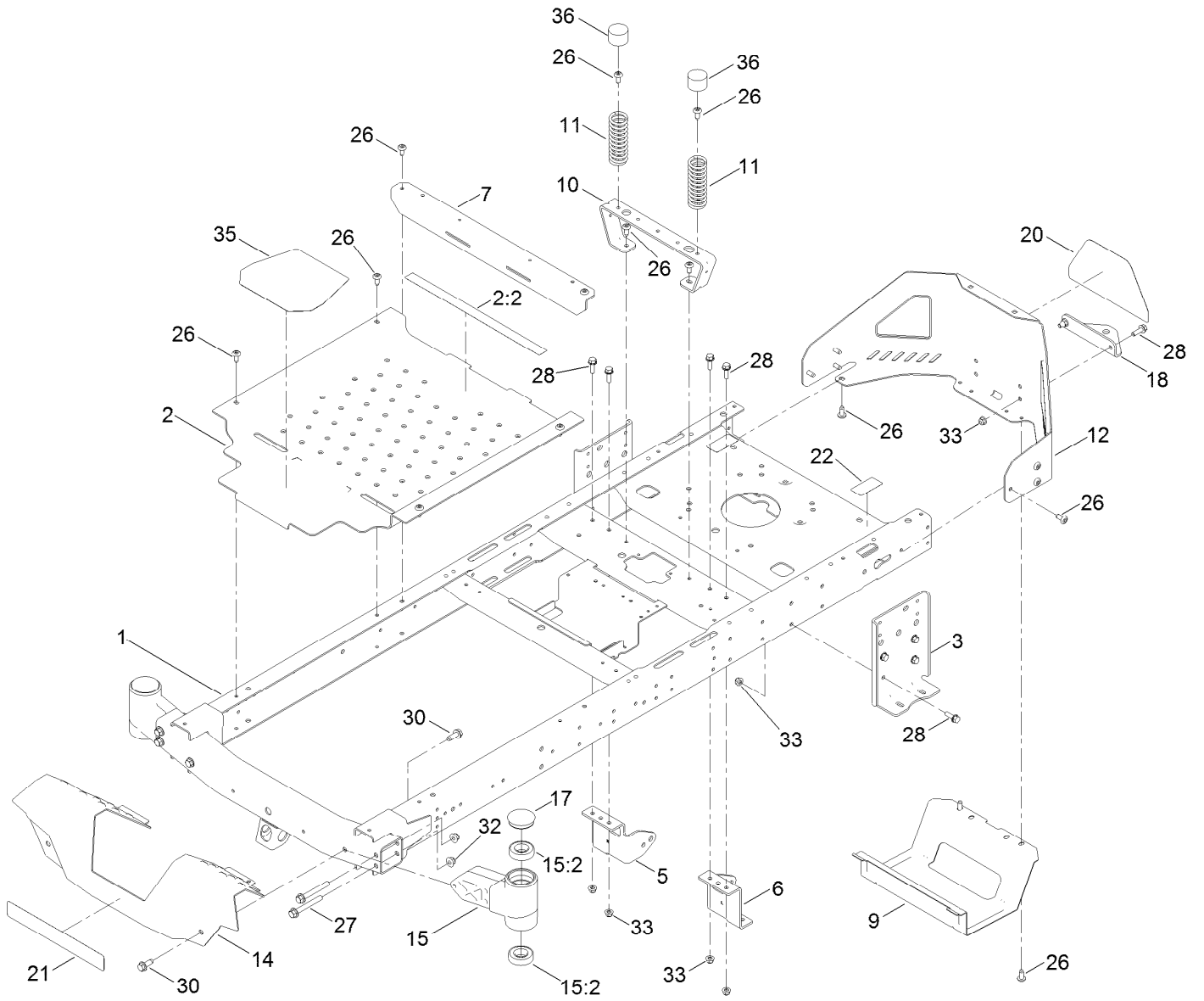
In an illustration, if a reference number indicates more than one part, the reference number has the form nX y. The n represents the quantity of the part, the X is the multiplication symbol, and the y represents the reference number.

For example, in an illustration, the reference number 2X 37 means that two of the parts identified by reference number 37 are indicated.

Contents

Frame Assembly	4
Deck Lift Assembly	6
Tire and Caster Assembly	8
Traction Drive Assembly	10
LH Hydro Transmission Assembly No. 139-7450	12
RH Hydro Transmission Assembly No. 139-7451	14
Brake Assembly	16
Rear Tire Assembly	18
Seat Pan Assembly	20
Seat Assembly No. 147-5157	22
Motion Control Assembly	24
Engine and Muffler Assembly	26
Body Styling and Fuel Pod Assembly	28
Electrical Assembly	30
42 Inch Deck Assembly	32
Clutch Assembly	34
Attachments and Accessories	36

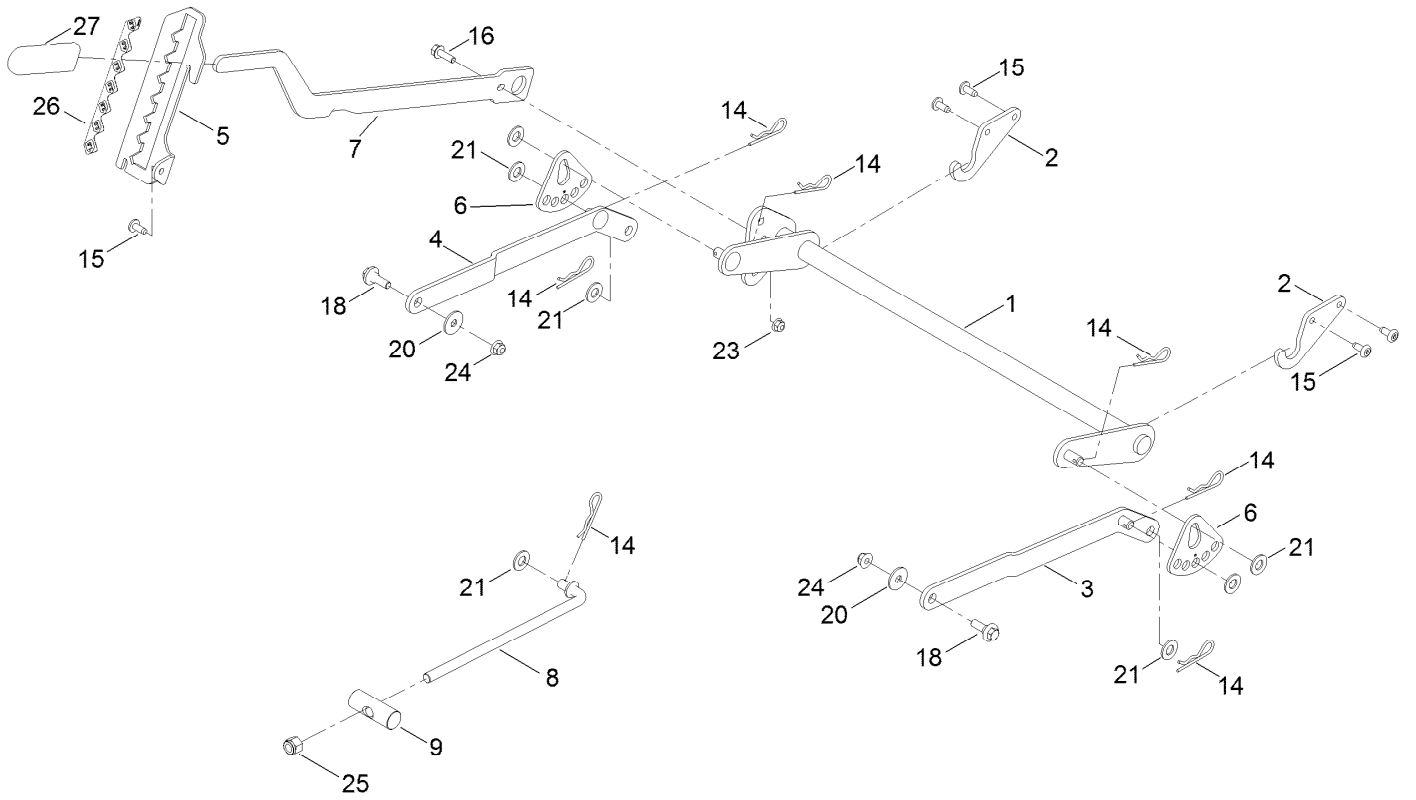
Frame Assembly



Frame Assembly (continued)

<i>Ref.</i>	<i>Part Number</i>	<i>Qty.</i>	<i>Description</i>	<i>Ref.</i>	<i>Part Number</i>	<i>Qty.</i>	<i>Description</i>
1	137-9820-01	1	Frame Assembly	17	138-7200	2	Cap-Grease
2	140-5045	1	Pan-Floor ASM	18	117-1232-03	1	Bracket-Hitch
2:2	135-3295	1	Decal-Warning	20	139-5890	1	Decal-Timecutter
3	138-7520-01	2	Plate-Mount, Hydro	21	139-2387	1	Decal-Timecutter
5	137-7020-01	1	Mount-Hydro, Front (Right)	22	121-2989	2	Decal-Bypass
6	139-3211-01	1	Mount-Hydro, Front (Left)	26	138-9753	20	Screw
7	138-9791-01	1	Brace-Cross	27	139-2429	4	Screw-HHF
9	138-0867-03	1	Guard-Muffler	28	3234-29	14	Screw-HHF
10	138-6036-03	1	Support-Seat	30	139-2428	4	Screw-HWH
11	138-2548	2	Spring-Compression	32	139-2430	4	Nut-HF, NI
12	138-9820-03	1	Guard-Engine	33	104-8300	14	Nut-HF, NI
14	138-9827-01	1	Footrest	35	139-3220	1	Tread-Step
15	140-2098	2	Axle Stub ASM	36	701178	2	Cap-Protector
15:2	109-3678	2	Bearing-Ball				

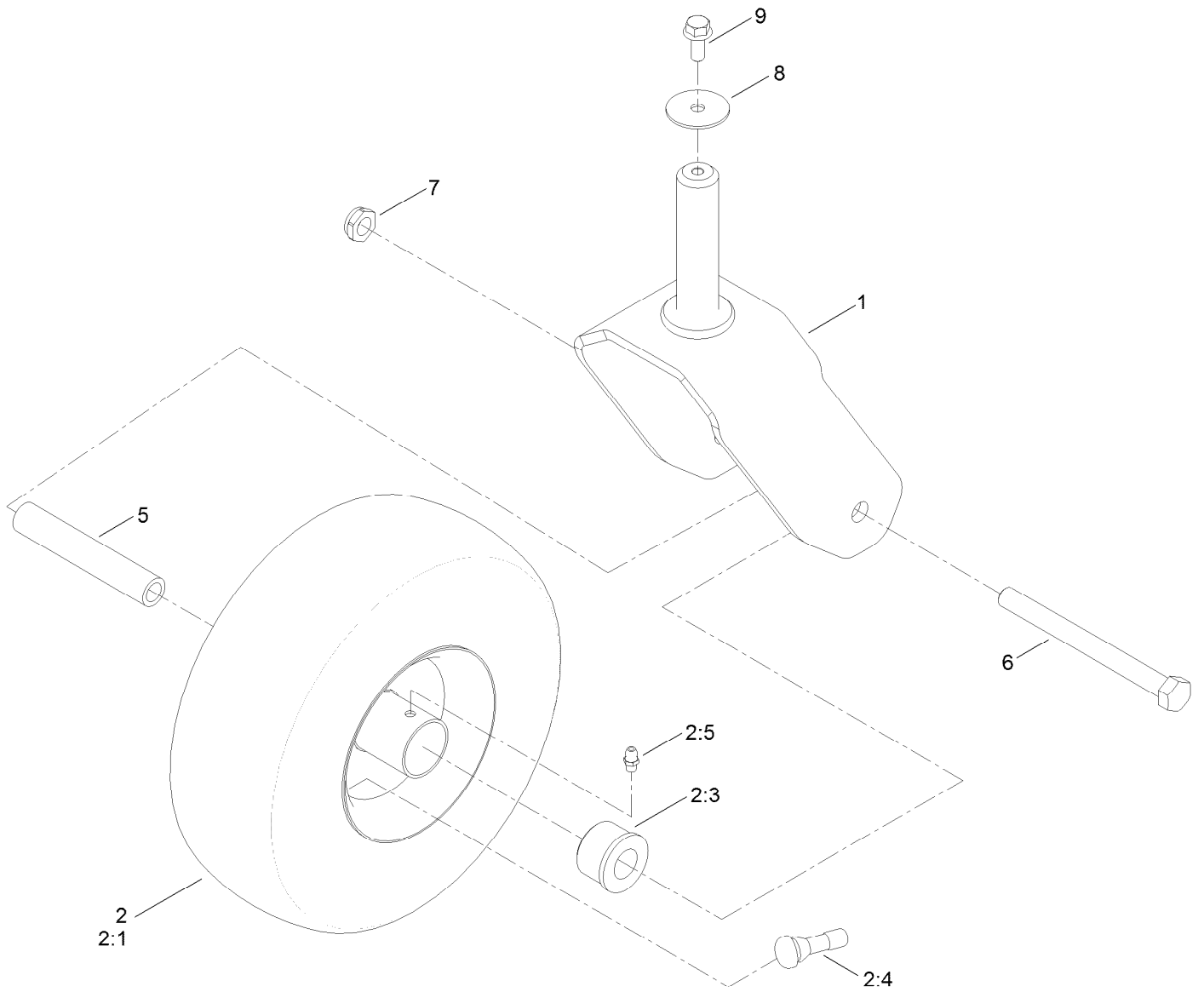
Deck Lift Assembly



Deck Lift Assembly (continued)

<i>Ref.</i>	<i>Part Number</i>	<i>Qty.</i>	<i>Description</i>	<i>Ref.</i>	<i>Part Number</i>	<i>Qty.</i>	<i>Description</i>
1	137-7093-03	1	Deck Lift ASM	15	138-9753	5	Screw
2	138-6021	2	Bracket-Pivot, Decklift	16	3234-29	1	Screw-HHF
3	137-9844	1	LH Arm ASM	18	137-9847	2	Screw-Shoulder
4	137-9846	1	RH Arm ASM	20	93-8806	2	Washer-Hardened
5	139-2350-01	1	Bracket-HOC	21	3256-26	7	Washer-Flat
6	138-2564	2	Plate-Adjustment, HOC	23	104-8300	1	Nut-HF, NI
7	137-7087-03	1	Lever-Lift	24	104-8301	2	Nut-HF, NI
8	138-6050	1	Rod-Mount, Deck	25	3296-19	1	Nut-Hex
9	119-8810	1	Pin-Pivot	26	139-2392	1	Decal-HOC
14	1-806005	7	Pin-Cotter	27	1-633268	1	Grip-Lever

Tire and Caster Assembly



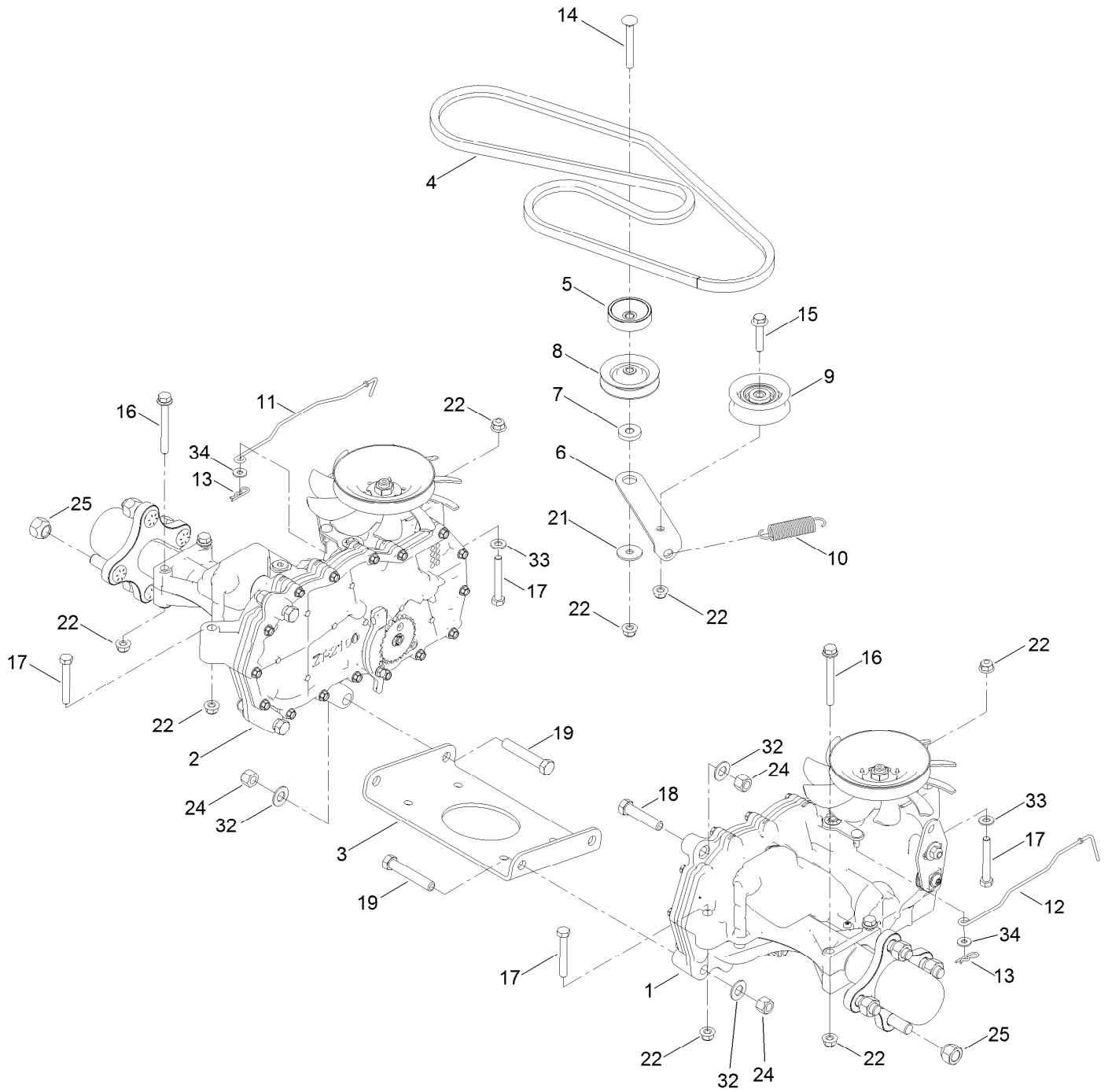
Tire and Caster Assembly (continued)

<i>Ref.</i>	<i>Part Number</i>	<i>Qty.</i>	<i>Description</i>	<i>Ref.</i>	<i>Part Number</i>	<i>Qty.</i>	<i>Description</i>
1	139-3274-01	2	Fork ASM	2:99	105-0844	1	Tube-Inner●■
2	139-5842	2	Tire ASM	5	138-7240	2	Bushing-Spanner
2:1	140-2736	1	Tire	6	325-22	2	Screw-HH
2:3	114-1640	2	Bushing-Flange	7	3296-45	2	Nut-Hex
2:4	232-27	1	Stem-Valve	8	3256-68	2	Washer-Flat
2:5	302-5	1	Fitting-Grease	9	3234-47	2	Screw-HHF

● Not illustrated

■ Optional Equipment

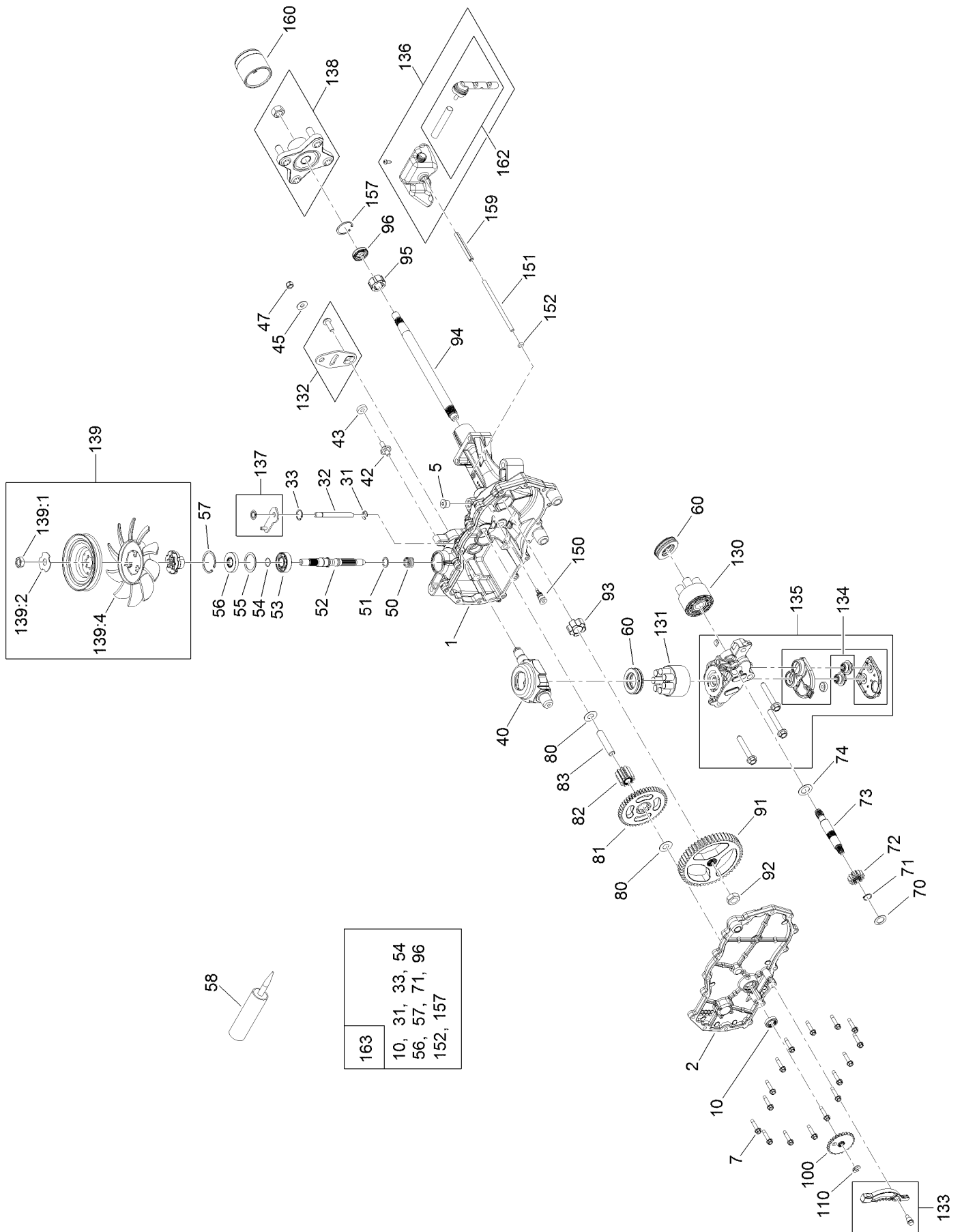
Traction Drive Assembly



Traction Drive Assembly (continued)

<i>Ref.</i>	<i>Part Number</i>	<i>Qty.</i>	<i>Description</i>	<i>Ref.</i>	<i>Part Number</i>	<i>Qty.</i>	<i>Description</i>
1	139-7450	1	LH Hydro Transaxle ASM	14	3230-8	1	Screw-CARR
2	139-7451	1	RH Hydro Transaxle ASM	15	115-1794	1	Screw-HHF
3	138-2571-03	1	Crossplate-Hydro	16	138-7590	4	Screw-HHF
4	139-2399	1	V-Belt	17	322-11	4	Screw-HH
5	138-9809	1	Spacer	18	324-8	2	Screw-HH
6	138-7276	1	Arm-Idler	19	324-10	4	Screw-HH
7	138-7277	1	Spacer-Arm, Idler	21	5-4460	1	Washer-Pivot
8	68-0030	1	Idler	22	104-8300	10	Nut-HF, NI
9	138-7597	1	Pulley-Idler, Flat	24	3296-48	6	Nut-Hex
10	137-7040	1	Spring-Return, Pedal	25	242-50	8	Nut-Lug
11	138-7245	1	Rod-Bypass, RH	32	3256-25	6	Washer-Flat
12	138-7243	1	Rod-Bypass, LH	33	3256-23	2	Washer-Plain
13	3290-307	2	Pin-Cotter	34	119-8952	2	Washer

LH Hydro Transmission Assembly No. 139-7450

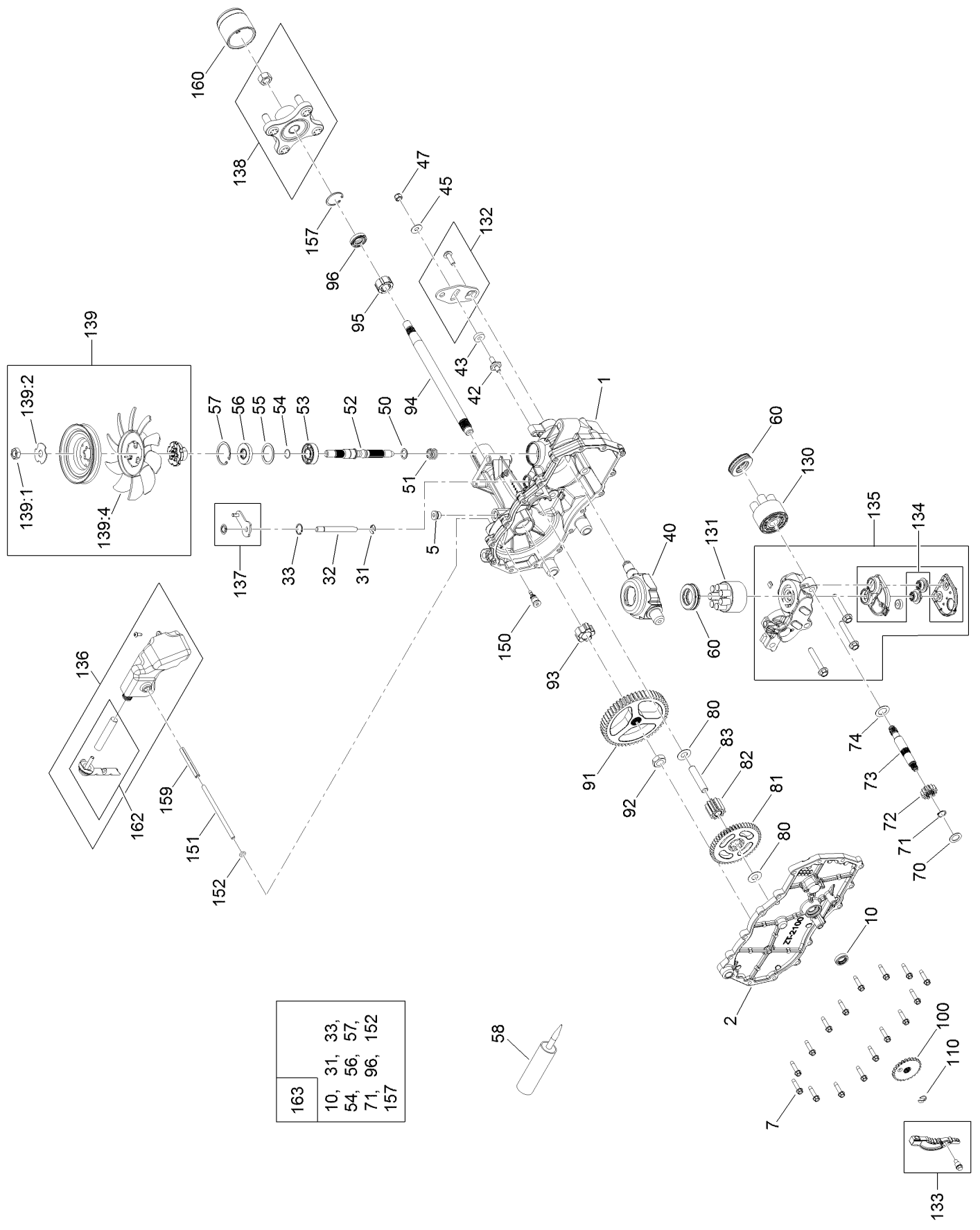


LH Hydro Transmission Assembly No. 139-7450 (continued)

<i>Ref.</i>	<i>Part Number</i>	<i>Qty.</i>	<i>Description</i>	<i>Ref.</i>	<i>Part Number</i>	<i>Qty.</i>	<i>Description</i>
1	120-5532	1	Main Housing ASM	83	104-5329	1	Pin-Jackshaft
2	120-5534	1	Housing Side Kit	91	120-5539	1	Gear-Bull
5	104-2189	1	Plug-Thread, Straight	92	104-2142	1	Nut-HJ
7	117-5359	16	Screw-HHF	93	115-8314	1	Bushing-Inboard
10		1	Seal-Lip ●	94	120-5540	1	Shaft-Axle
31	106-8677	1	Ring-Retaining, External	95	120-5541	1	Bearing-Sleeve
32	106-8678	1	Rod-Bypass	96	120-5542	1	Seal-Lip
33	106-8679	1	Ring-Retaining, Internal	100	106-8694	1	Disc-Brake, Cog
40	104-5304	1	Swashplate-Trunnion	110	106-8677	1	Ring-Retaining, External
42	104-2116	1	Stud	130	103-2666	1	Cylinder Block Kit
43	112-9853	1	Puck-Friction	131	110-8561	1	Pump Block ASM
45	114-8491	1	Washer	132	117-5362	1	Control Arm Kit
47	105-1872	1	Nut	133	106-8688	1	Brake Arm Kit
50	133-1793	1	Spring-Block	134	112-9861	1	Center Section Filter Kit
51	120-5538	1	Washer	135	114-1634	1	Filter Kit
52	104-5306	1	Shaft-Input	136	121-5730	1	RH Expansion Tank Kit
53	104-5311	1	Bearing-Ball	137	120-5549	1	Bypass Kit
54	104-5307	1	Ring-Retaining	138	121-5731	1	Hub Kit
55	104-5308	1	Spacer	139	135-7349	1	Fan And Pulley Kit
56	104-5310	1	Seal-Lip	139:1	116-9714	1	Nut-HJ
57	104-5309	1	Ring-Retaining	139:2	116-9708	1	Washer-Slotted
58	104-2147	1	Sealant	139:4	135-7364	1	Fan 7.0 X 10 Blade
60	94-6922	2	Bearing-Thrust	150	104-5349	1	Fitting-SAE
70	104-5339	1	Washer-Flat	151	115-8302	1	Hose
71	104-5340	1	Ring-Retaining	152	104-5361	1	O-Ring
72	104-5316	1	Gear-Pinnion, 13T	157	120-7102	1	Ring-Retaining
73	106-8683	1	Shaft-Motor	159	121-5728	1	Case-Tube
74	104-5360	1	Washer	160	125-0041	1	Cap-Axle
80	119-5541	1	Washer	162	139-3278	1	Breather ASM Kit
81	104-5317	1	Gear-10T/48T	163	120-7103	1	Seal And Ring Kit
82	104-5318	1	Gear-Jackshaft, 10T				

● Not serviced separately

RH Hydro Transmission Assembly No. 139-7451



- | | |
|------------|--|
| 163 | 10, 31, 33,
54, 56, 57,
71, 96, 152
157 |
|------------|--|

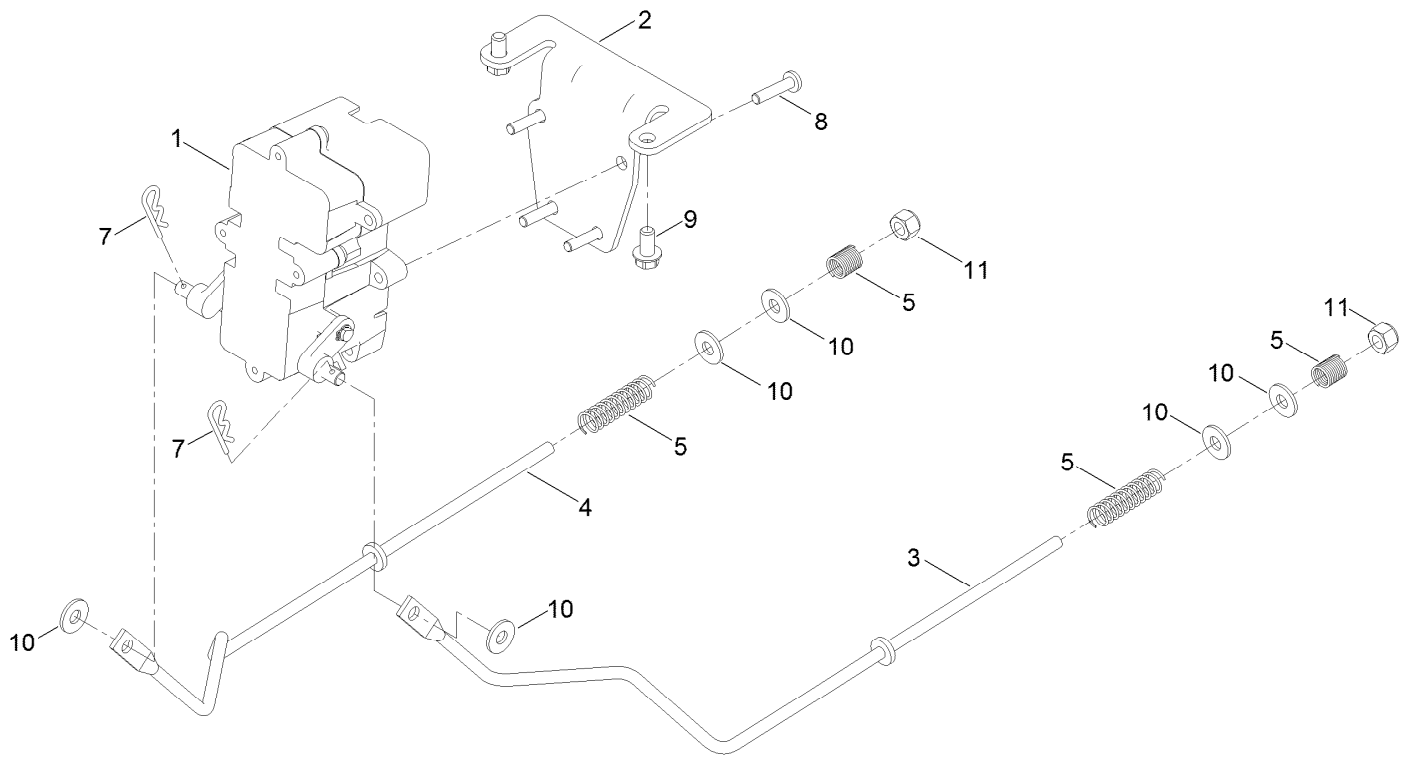


RH Hydro Transmission Assembly No. 139-7451 (continued)

<i>Ref.</i>	<i>Part Number</i>	<i>Qty.</i>	<i>Description</i>	<i>Ref.</i>	<i>Part Number</i>	<i>Qty.</i>	<i>Description</i>
1	120-5531	1	Main Housing ASM	83	104-5329	1	Pin-Jackshaft
2	120-5533	1	Housing Side Kit	91	120-5539	1	Gear-Bull
5	104-2189	1	Plug-Thread, Straight	92	104-2142	1	Nut-HJ
7	117-5359	16	Screw-HHF	93	115-8314	1	Bushing-Inboard
10		1	Seal-Lip ●	94	120-5540	1	Shaft-Axle
31	106-8677	2	Ring-Retaining, External	95	120-5541	1	Bearing-Sleeve
32	106-8678	1	Rod-Bypass	96	120-5542	1	Seal-Lip
33	106-8679	1	Ring-Retaining, Internal	100	106-8694	1	Disc-Brake, Cog
40	104-5304	1	Swashplate-Trunnion	110	106-8677	1	Ring-Retaining, External
42	104-2116	1	Stud	130	103-2666	1	Cylinder Block Kit
43	112-9853	1	Puck-Friction	131	110-8561	1	Pump Block ASM
45	114-8491	1	Washer	132	117-5362	1	Control Arm Kit
47	105-1872	1	Nut	133	106-8688	1	Brake Arm Kit
50	120-5538	1	Washer	134	112-9862	1	Center Section Filter Kit
51	133-1793	1	Spring-Block	135	114-1634	1	Filter Kit
52	104-5306	1	Shaft-Input	136	121-5735	1	LH Expansion Tank Kit
53	104-5311	1	Bearing-Ball	137	107-2489	1	Bypass Arm Kit
54	104-5307	1	Ring-Retaining	138	121-5731	1	Hub Kit
55	104-5308	1	Spacer	139	135-7349	1	Fan And Pulley Kit
56	104-5310	1	Seal-Lip	139:1	116-9714	1	Nut-HJ
57	104-5309	1	Ring-Retaining	139:2	116-9708	1	Washer-Slotted
58	104-2147	1	Sealant	139:4	135-7364	1	Fan 7.0 X 10 Blade
60	94-6922	2	Bearing-Thrust	150	104-5349	1	Fitting-SAE
70	104-5339	1	Washer-Flat	151	115-8302	1	Hose
71	104-5340	1	Ring-Retaining	152	104-5361	1	O-Ring
72	104-5316	1	Gear-Pinnion, 13T	157	120-7102	1	Ring-Retaining
73	106-8683	1	Shaft-Motor	159	121-5728	1	Case-Tube
74	104-5360	1	Washer	160	125-0041	1	Cap-Axle
80	119-5541	1	Washer	162	139-3278	1	Breather ASM Kit
81	104-5317	1	Gear-10T/48T	163	120-7103	1	Seal And Ring Kit
82	104-5318	1	Gear-Jackshaft, 10T				

● Not serviced separately

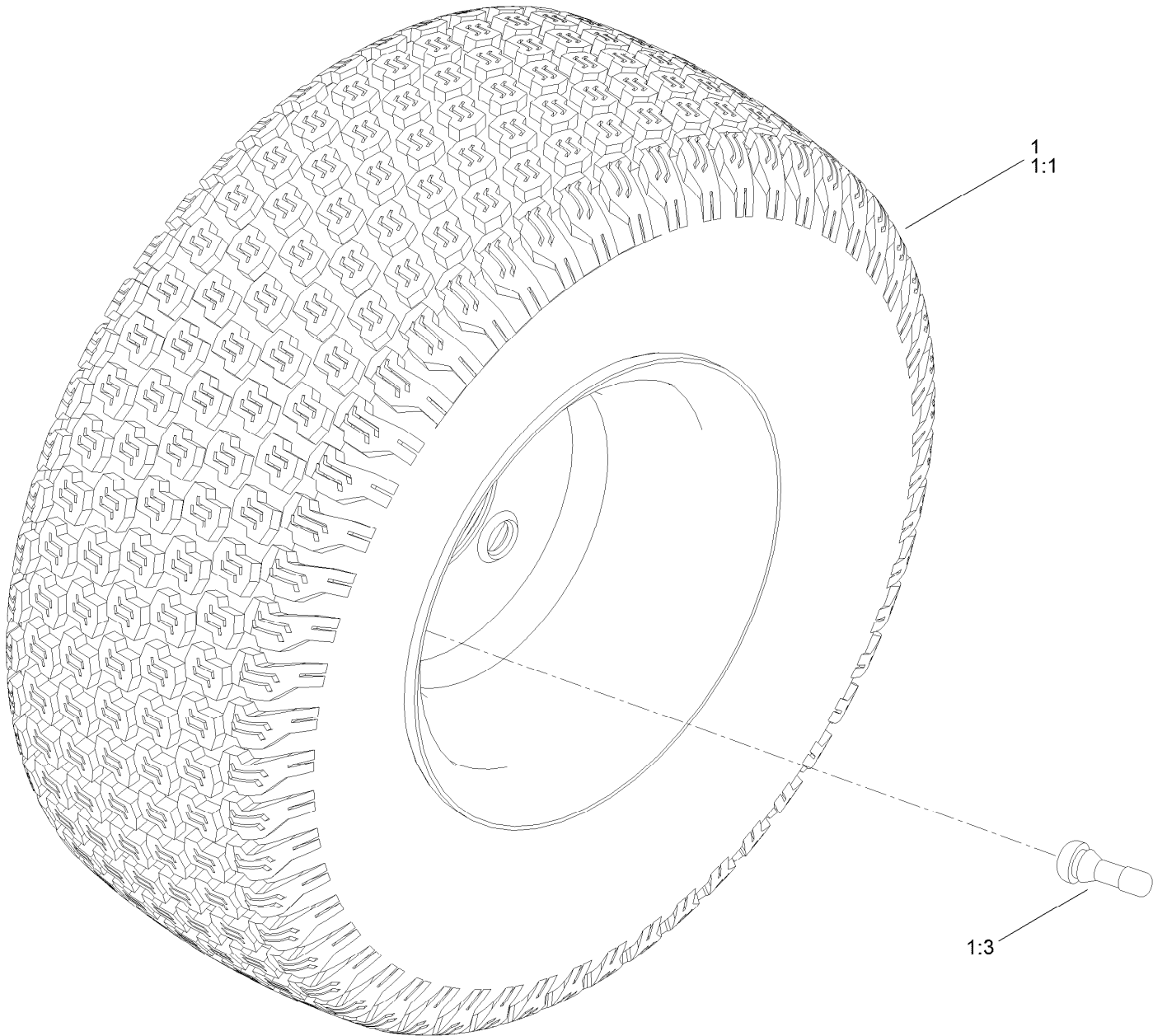
Brake Assembly



Brake Assembly (continued)

<i>Ref.</i>	<i>Part Number</i>	<i>Qty.</i>	<i>Description</i>	<i>Ref.</i>	<i>Part Number</i>	<i>Qty.</i>	<i>Description</i>
1	138-2514	1	Brake Box ASM	7	3290-307	2	Pin-Cotter
2	133-9284-03	1	Bracket-Mount, Brake	8	32144-36	4	Screw-PPH
3	138-2591	1	Rod-Brake, LH	9	32144-4	2	Screw-HWH
4	138-2592	1	Rod-Brake, RH	10	119-8952	6	Washer
5	117-1169	4	Spring-Compression	11	3296-42	2	Nut-Lock, NI

Rear Tire Assembly



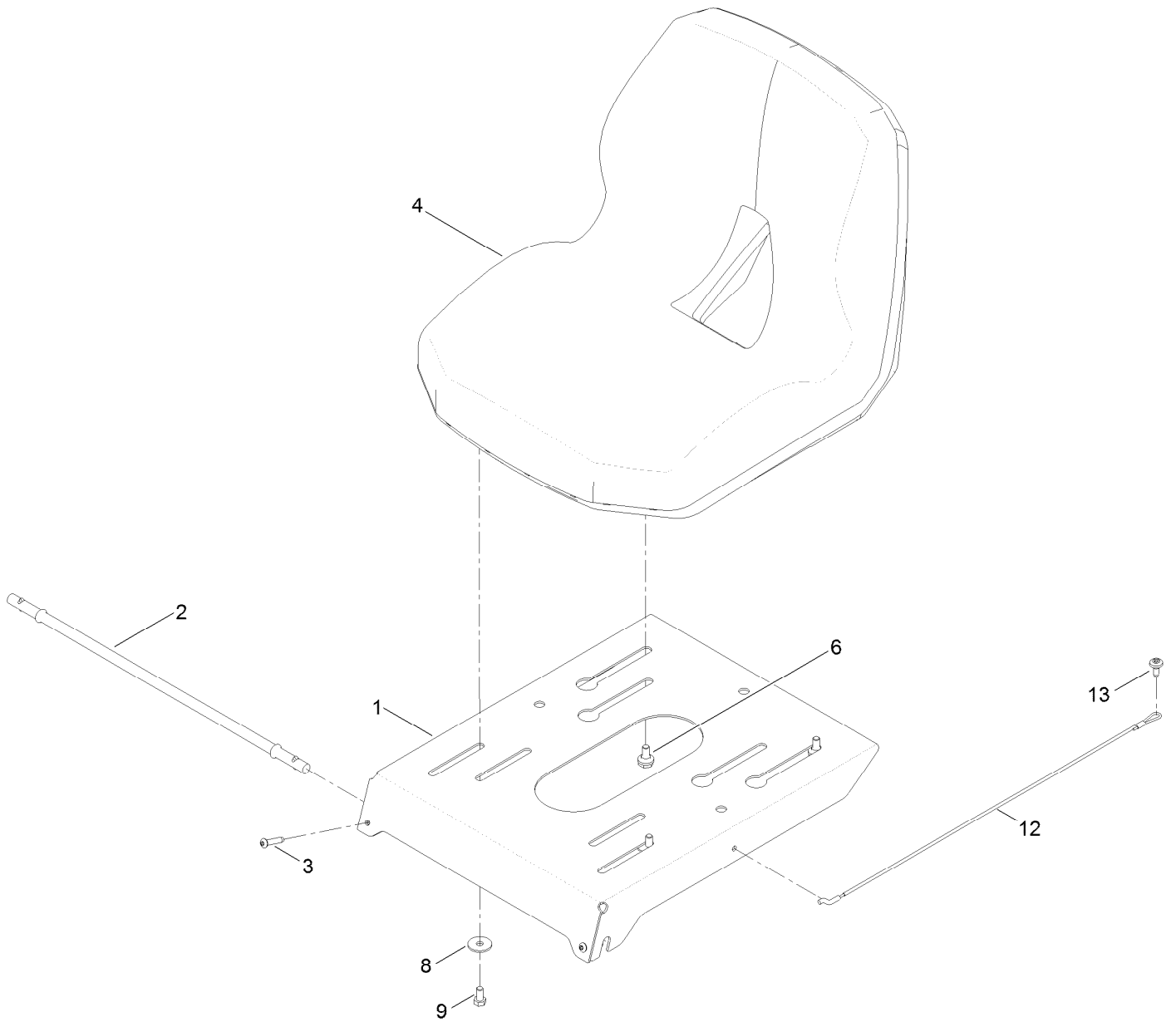
Rear Tire Assembly (continued)

<i>Ref.</i>	<i>Part Number</i>	<i>Qty.</i>	<i>Description</i>
1	139-5846	2	Tire ASM
1:1	140-2729	1	Tire

<i>Ref.</i>	<i>Part Number</i>	<i>Qty.</i>	<i>Description</i>
1:3	232-27	1	Stem-Valve
1:99	107-2491	1	Tube-Tire ●

● Not illustrated

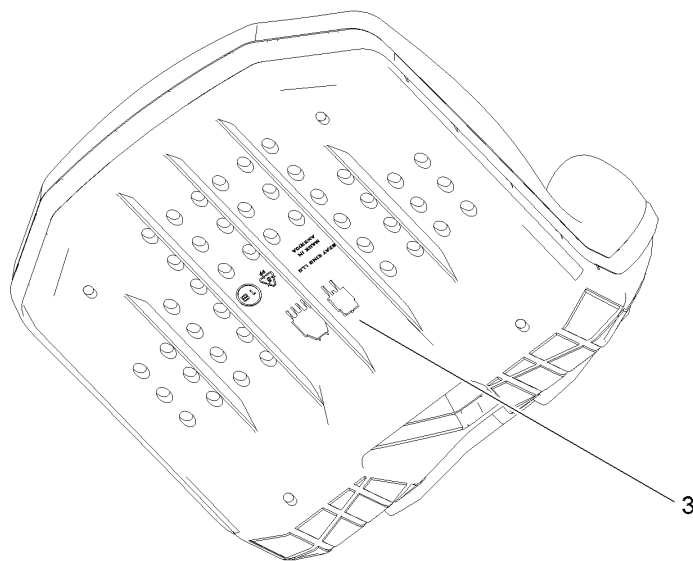
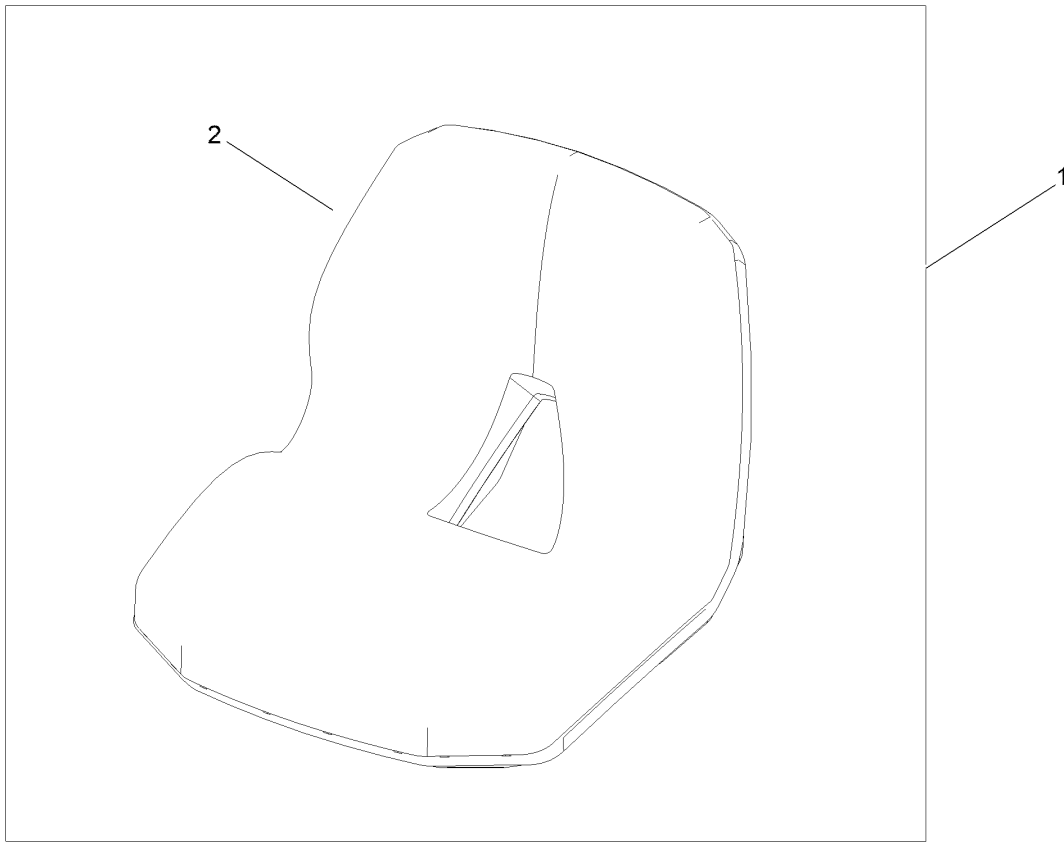
Seat Pan Assembly



Seat Pan Assembly (continued)

<i>Ref.</i>	<i>Part Number</i>	<i>Qty.</i>	<i>Description</i>	<i>Ref.</i>	<i>Part Number</i>	<i>Qty.</i>	<i>Description</i>
1	138-9781-03	1	Pan-Seat	8	5-4460	2	Washer-Pivot
2	138-7555	1	Rod-Pivot	9	322-2	2	Screw-HH
3	108-0035	2	Screw	12	139-2398	1	Cable-Lanyard
4	147-5157	1	Seat-16 In	13	120-7950	1	Screw-Torx
6	37-8771	2	Bolt-Shoulder, HF				

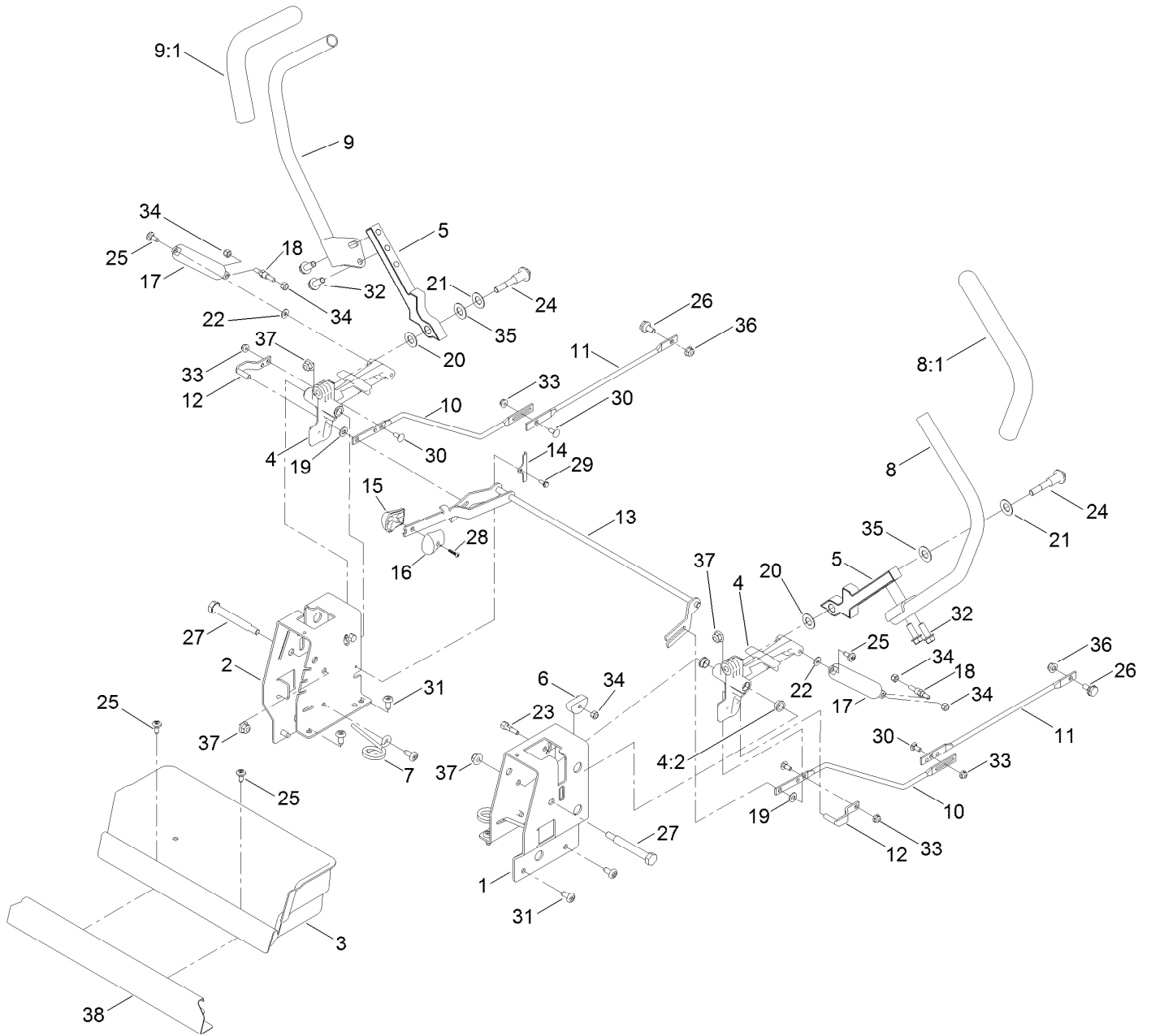
Seat Assembly No. 147-5157



Seat Assembly No. 147-5157 (continued)

<i>Ref.</i>	<i>Part Number</i>	<i>Qty.</i>	<i>Description</i>
1	139-5891	1	Seat-16 In
2	147-2983	1	Cover-Seat
3	82-2190	1	Switch-Bail

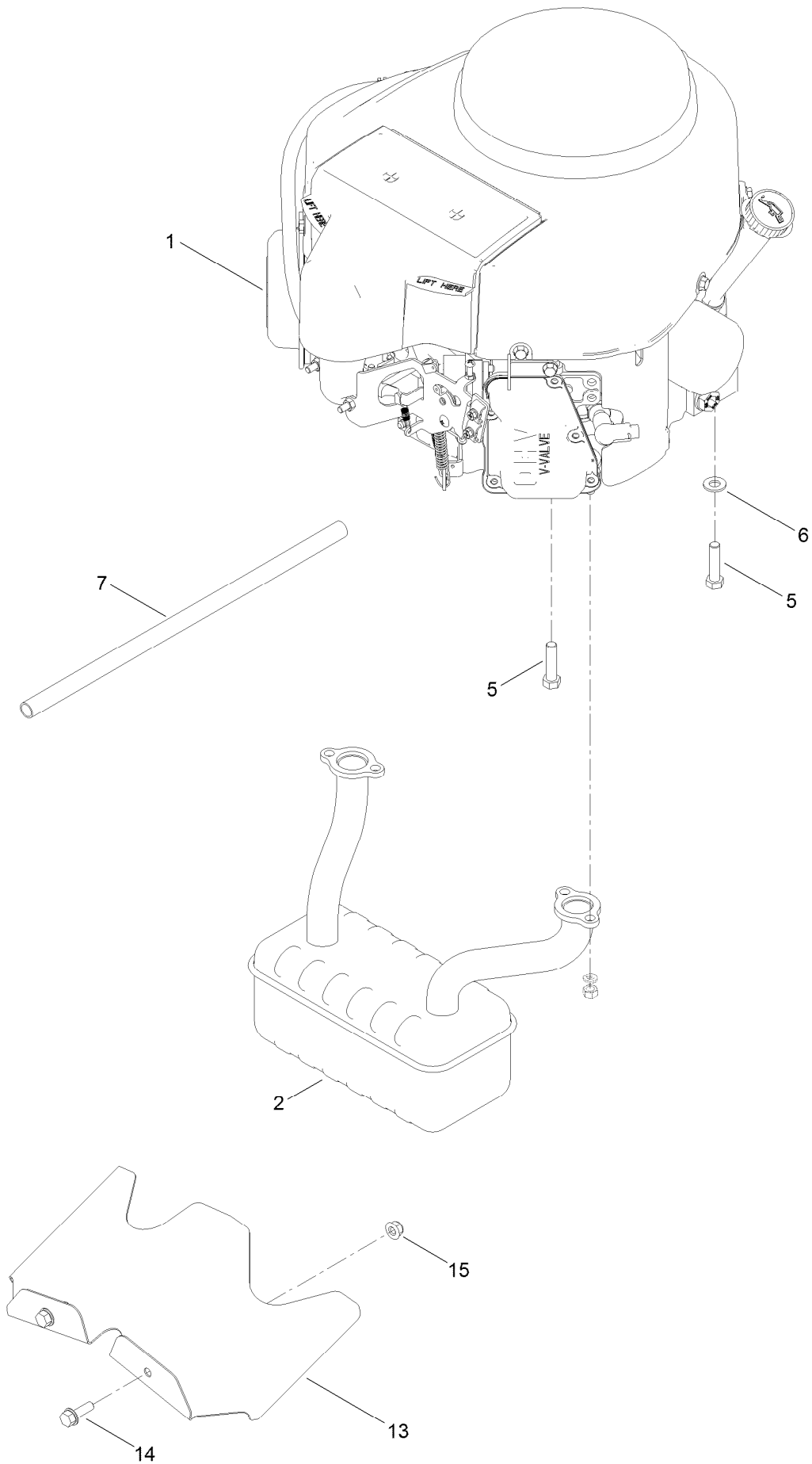
Motion Control Assembly



Motion Control Assembly (continued)

<i>Ref.</i>	<i>Part Number</i>	<i>Qty.</i>	<i>Description</i>	<i>Ref.</i>	<i>Part Number</i>	<i>Qty.</i>	<i>Description</i>
1	138-7598-03	1	Plate-Control Box, LH	19	93-6079	2	Spacer-Nylon
2	138-7599-03	1	Plate-Control Box, RH	20	120-2273	2	Washer-Nylon
3	139-3279	1	Box-Storage	21	119-8925	2	Washer-Belleville
4	119-3470	2	Actuator Arm ASM	22	119-8952	2	Washer
4:2	256-156	2	Bushing-Flange	23	139-5811	2	Bolt-Pivot, Eccentric
5	133-9299-05	2	Arm-Control	24	117-1198	2	Bolt-Pivot
6	139-5803	2	Eccentric	25	120-7950	4	Screw-Torx
7	138-7539	2	Spring-Torsion	26	37-8771	2	Bolt-Shoulder, HF
8	133-7055	1	Handle-Control, LH	27	115-5099	2	Bolt-Pivot
8:1	121-0726	1	Grip	28	94-4496	1	Screw-PPH
9	133-7057	1	Handle-Control, RH	29	32144-1	2	Screw-Taptite
9:1	121-0726	1	Grip	30	3229-11	4	Screw-CARR
10	138-2580	2	Rod-Hydro, Front	31	138-9753	10	Screw
11	138-2579	2	Rod-Hydro, Rear	32	3234-42	4	Screw-HHF
12	121-1753	2	Pin-Rod, Hydro	33	104-7201	4	Nut-HF, NI
13	138-9750	1	Speed Control ASM	34	3296-42	6	Nut-Lock, NI
14	138-7541	2	Plate-Retainer	35	117-1240	2	Washer
15	132-9368	1	Knob-RH	36	104-8300	2	Nut-HF, NI
16	132-9369	1	Knob-LH	37	104-8301	4	Nut-HF, NI
17	132-6853	2	Damper-Non Cavitating	38	139-3280-01	1	Plate-Kick
18	138-7215	2	Stud-Damper				

Engine and Muffler Assembly



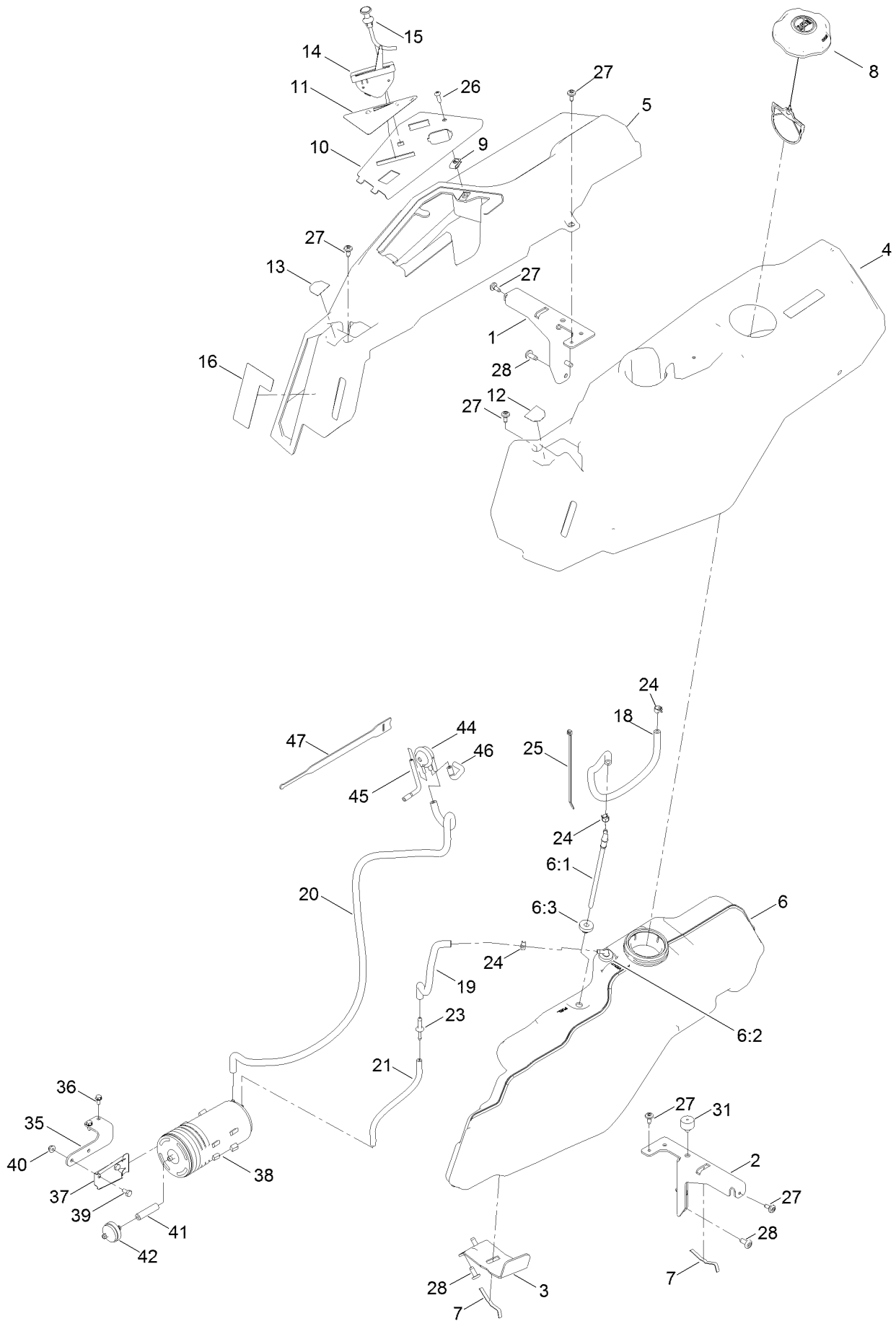
Engine and Muffler Assembly (continued)

<i>Ref.</i>	<i>Part Number</i>	<i>Qty.</i>	<i>Description</i>	<i>Ref.</i>	<i>Part Number</i>	<i>Qty.</i>	<i>Description</i>
1		1	Engine-Kawasaki, Fr600V ●	7	106-7022	1	Tube-Drain, Oil
			■	13	140-5126-03	1	Shield-Heat
2	139-5866	1	Muffler	14	3234-29	2	Screw-HHF
5	323-50	4	Bolt-HH	15	104-8300	2	Nut-HF, NI
6	3256-24	3	Washer-Flat				

● Not serviced separately

■ Obtain parts from www.kawpower.com

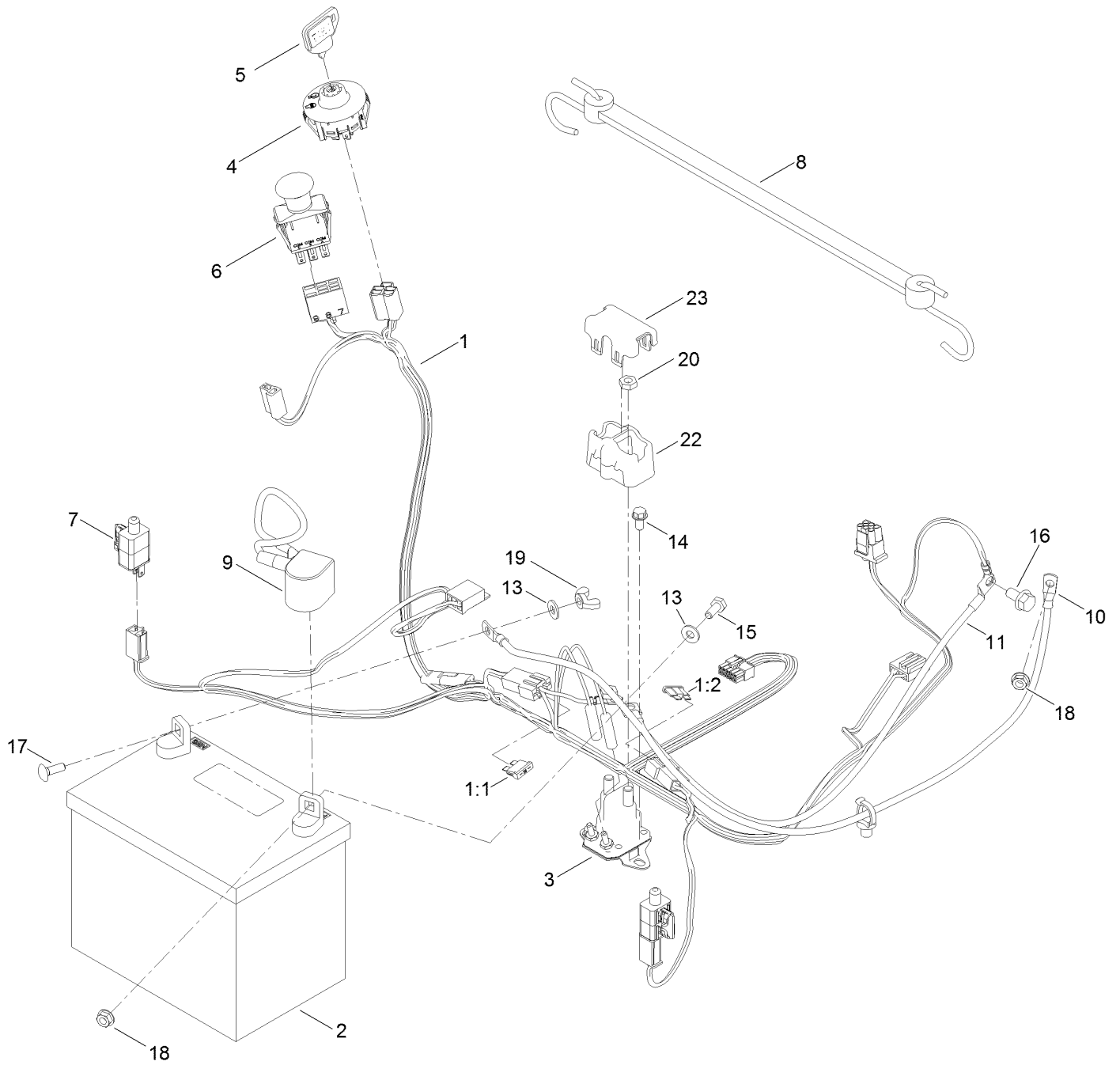
Body Styling and Fuel Pod Assembly



Body Styling and Fuel Pod Assembly (continued)

<i>Ref.</i>	<i>Part Number</i>	<i>Qty.</i>	<i>Description</i>	<i>Ref.</i>	<i>Part Number</i>	<i>Qty.</i>	<i>Description</i>
1	138-6070-03	1	Support-Pod, RH	20	110-7502	1	Hose-Fuel
2	138-6071-03	1	Support-Pod, LH	21	138-0868	1	Hose-Fuel
3	139-3271-03	1	Support-Tank, Fuel	23	117-5399	1	Adaptor-Orifice
4	138-6074	1	Pod-LH	24	2412-98	3	Clamp-Hose
5	138-6075	1	Pod-RH	25	614249	5	Tie-Cable
6	138-6072	1	Fuel Tank ASM	26	3258-166	1	Screw-PRH
6:1	139-1091	1	Connector-Elbow, 90 DEG	27	120-7950	6	Screw-Torx
6:2	117-7400	1	Fitting-Plastic	28	138-9753	6	Screw
6:3	46-6560	2	Bushing	31	120-7893	1	Bumper-Grommet
7	609830	2	Spring	35	139-5853-03	1	Bracket-Canister, Carbon
8	137-4119	1	Cap-Fuel, Ratcheting	36	32144-4	2	Screw-HWH
9	107069	1	Clip	37	114-0292	1	Bracket-Canister, Carbon
10	139-2380-03	1	Panel - Control	38	117-1221	1	Canister-Carbon, 800Cc
11	139-2391	1	Decal-Panel, Control	39	321-2	2	Screw-HH
12	139-2395	1	Decal-Control Lever, LH	40	104-7201	2	Nut-HF, NI
13	139-2394	1	Decal-Control Lever, RH	41	99-9415	1	Hose-Fuel
14	139-2403	1	Cable-Throttle	42	115-7854	1	Filter-Fuel, Inline
15	139-2402	1	Cable-Choke	44	116-2232	1	Valve-Control, Vacuum
16	139-2388	1	Decal-Smart Speed	45	119-8501	1	Hose-Vent, Formed
18	109-0299	1	Hose-Fuel	46	119-8502	1	Hose-Vent, Formed
19	110-3447	1	Hose-Fuel	47	116-2469	1	Strap-Velcro, Cable Tie

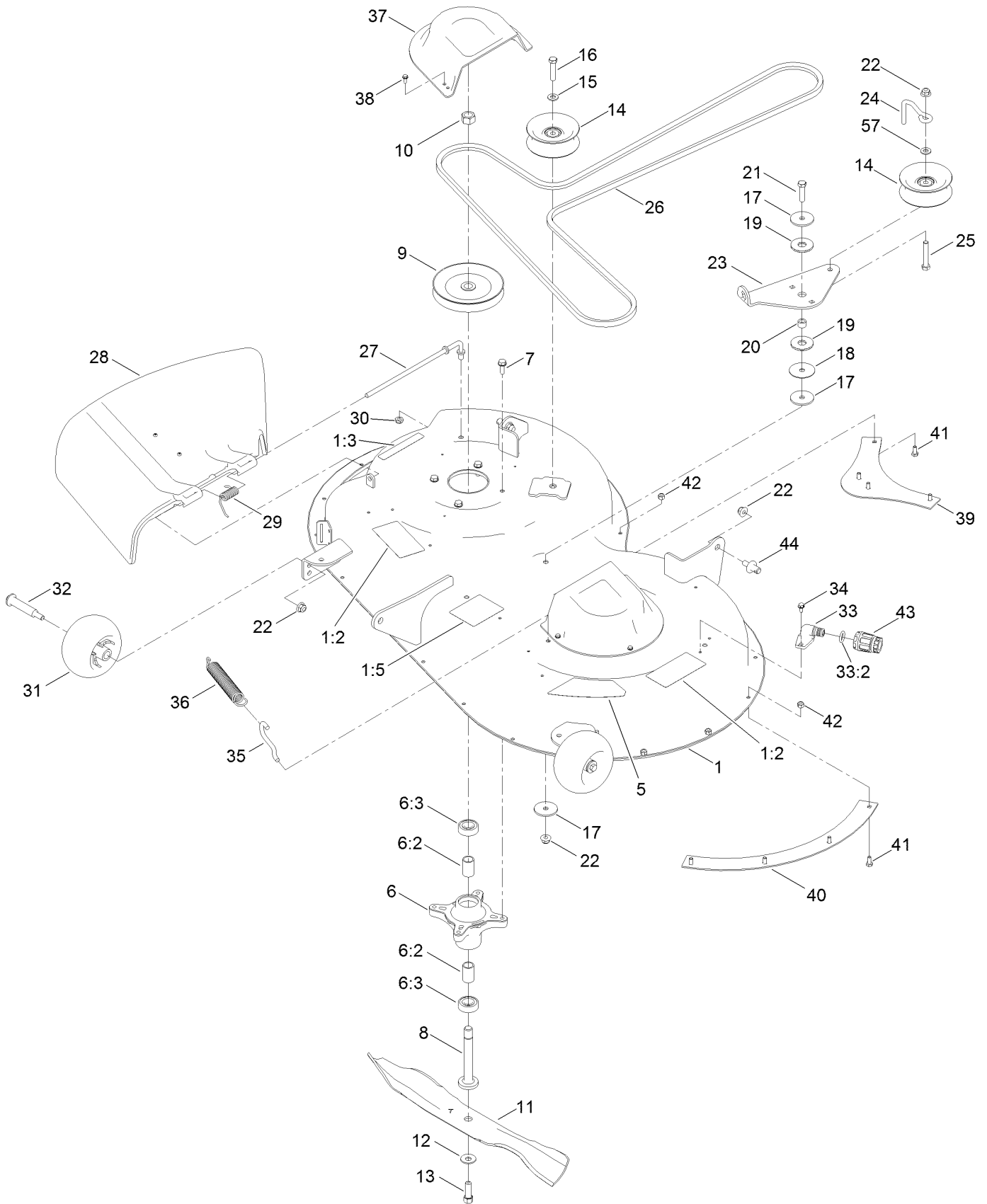
Electrical Assembly



Electrical Assembly (continued)

<i>Ref.</i>	<i>Part Number</i>	<i>Qty.</i>	<i>Description</i>	<i>Ref.</i>	<i>Part Number</i>	<i>Qty.</i>	<i>Description</i>
1	138-2521	1	Harness-Wire	11	110-6793	1	Cable-Battery, Black
1:1	109355	1	Fuse-Blade, 15 Amp	13	3256-22	2	Washer-Flat
1:2	109102	1	Fuse-Blade, 25 Amp	14	32144-4	2	Screw-HWH
2	105-1692	1	Battery, 230CCA W/O Electrolyte	15	321-3	1	Screw-HH
3	117-1197	1	Solenoid	16	33104-016	1	Screw-HHF
4	137-4100	1	Switch-Ignition	17	3229-1	1	Screw-CARR
5	63-8360	1	Key-Ignition	18	32128-33	2	Nut-HF
6	103-5221	1	Switch-PTO	19	32103-22	1	Nut-Wing
7	110-6765	2	Switch	20	3220-2	2	Nut-Jam
8	139-2381	1	Strap-Rubber	22	140-2080	1	Cover-Solenoid
9	140-2713	1	Cable-Battery, Pos	23	140-2081	1	Cap-Solenoid
10	139-2431	1	Cable-Battery, Red (8 Gauge)				

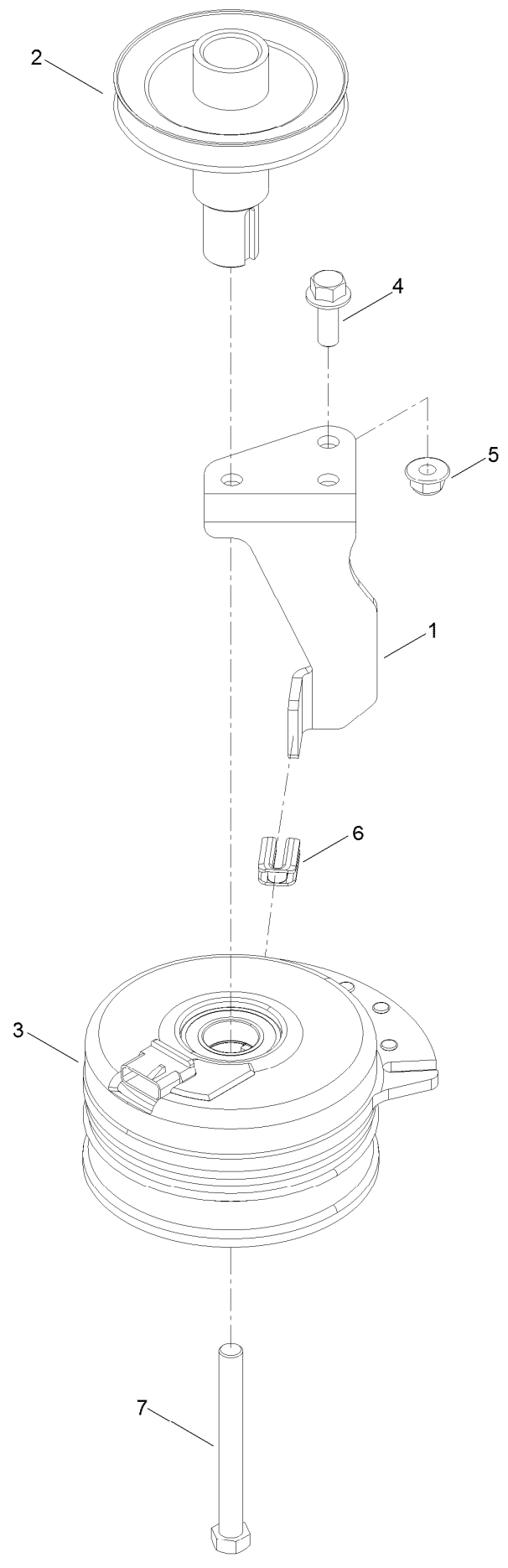
42 Inch Deck Assembly



42 Inch Deck Assembly (continued)

<i>Ref.</i>	<i>Part Number</i>	<i>Qty.</i>	<i>Description</i>	<i>Ref.</i>	<i>Part Number</i>	<i>Qty.</i>	<i>Description</i>
1	138-9761	1	42 Inch Deck And Decal ASM	23	138-7262	1	Arm-Idler
1:2	132-0872	2	Decal-Danger, Deck	24	138-7270	1	Guide-Belt, Idler
1:3	93-7009	1	Decal-Danger	25	323-11	1	Screw-HH
1:5	105-7015	1	Decal-Routing, Belt	26	119-8819	1	V-Belt
5	117-1222	1	Decal	27	137-2019	1	Rod-Pivot
6	139-3214	2	Spindle ASM	28	137-7046	1	Deflector
6:2	120-7935	2	Spacer	29	138-7268	1	Spring-Torsion
6:3	138-9770	2	Bearing-Ball	30	3296-59	1	Nut-Lock, NI
7	32144-41	8	Screw-Taptite	31	1-603299	2	Roller-Scalp, Anti
8	117-7268	2	Shaft-Spindle	32	112-3977	2	Bolt-Shoulder
9	139-2433	2	Pulley	33	133-9289	1	Fitting-Washout
10	3219-6	2	Nut-Hex	33:2	133-9290	1	O-Ring
11	137-1999-03	2	Blade	34	32144-4	2	Screw-HWH
12	3290-465	2	Washer-Belleville	35	138-7267	1	Hook-Spring, Return
13	26-0671	2	Screw-HH	36	138-7265	1	Spring Extension
14	132-9420	2	Pulley-Idler, Flat	37	108-7889	2	Cover-Belt
15	3256-24	1	Washer-Flat	38	32144-1	6	Screw-Taptite
16	323-9	1	Screw-HH	39	137-2036-03	1	Baffle-Blowout, Rear
17	63-7400	3	Washer-Rebound	40	137-2037-03	1	Baffle-Blowout, Side
18	120-2229	1	Washer	41	321-3	8	Screw-HH
19	114-0463	2	Washer-Friction, Composite	42	3296-42	8	Nut-Lock, NI
20	115-4986	1	Spacer	43	95-3270	1	Connector-Hose
21	323-8	1	Screw-HH	44	139-5871	2	Pin-Deck
22	104-8301	6	Nut-HF, NI	57	138-7207	1	Spacer-Hub, Blower

Clutch Assembly



Clutch Assembly (continued)

<i>Ref.</i>	<i>Part Number</i>	<i>Qty.</i>	<i>Description</i>	<i>Ref.</i>	<i>Part Number</i>	<i>Qty.</i>	<i>Description</i>
1	138-7275	1	Stop-Clutch (Narrow)	5	104-8301	1	Nut-HF, NI
2	138-9792	1	Pulley-Engine	6	120-2217	1	Isolator-Clutch
3	117-7468	1	Clutch-Electric	7	3212-16	1	Screw-HH
4	3234-42	1	Screw-HHF				

Attachments and Accessories

For 75741 TimeCutter 4200C Riding Mower

Product Name	Model/Part
Hourmeter Kit	116-5461
Seat Cover W/O Arm Rest - TC 18in.....	117-0096
Jack Kit.....	127-6666
Fuel Stabilizer .05 oz	130-2393
4-Cycle Fuel, Snow And Lawn 32oz Can	131-3823
Toro Premium Fuel Treatment 12 Oz Bottle	131-6572
Replacement Blade Kit	137-1999-03P
Striping Kit	137-5030
42in Recycler Kit.....	137-7042
Bagging Enhancement Kit	137-7048
Front Weight Kit.....	140-2050
Assist Bar Kit	140-2052
Sunshade Kit	140-2054
LED Light Kit.....	140-2056
Deluxe Seat Kit	140-2057
Armrest Kit.....	140-2058
Deck Footlift Assist Kit	140-2059
Floormat Kit	140-2060
Jack Mount Kit.....	140-2711
10w30 4-Cycle Engine Oil (32oz Bottle).....	38280
Toro 4-Cycle SAE 30 Oil (32oz Bottle)	38903
Storage Cover	490-7516
Mower Deck Drive Belt, TimeCutter SS Riding Mower with 42-inch Mowing Deck.....	79004
Twin Bagger, Timecutter 42in Stamped	79410
ROPS Kit	79485
Slope Sensor Kit.....	79486

Notes:

Notes:

Notes:



Count on it.