



Sand Pro[®] 2020

Model No. 08884—220000001 and Up

Parts Catalog

Ordering Replacement Parts

To order replacement parts, please supply: the part number, the quantity, and the description of each part desired.

Understanding Reference Numbers

Each identified part in an illustration has a reference number. The reference number for a part also appears in the parts list, along with other information about the part.

This catalog uses two special reference number formats, one to indicate parts in a service assembly and another to indicate the quantity of a given part in an illustration.

Service Assembly Reference Numbers

Parts in service assemblies have reference numbers in the form **a:b**. The **a** represents the reference number of the entire service assembly and the **b** represents a sequential number unique to each part within the service assembly.

For example, a wheel assembly might be identified by reference number **6**, the tire by **6:1**, the valve by **6:2**, and the wheel by **6:3**. When you order the assembly identified by reference number **6**, you receive all parts identified by reference numbers **6:1**, **6:2**, and **6:3**. However, you may also order any part individually.

Reference numbers of this type appear in illustrations and in part lists.

Reference Numbers Indicating Quantity

In an illustration, if a reference number indicates more than one part, the reference number has the form **nX y**. The **n** represents the quantity of the part, the **X** is the multiplication symbol, and the **y** represents the reference number.

For example, in an illustration, the reference number **2X 37** means that two of the parts identified by reference number **37** are indicated.

Contents

Description	Page	Description	Page
Front Wheel and Steering Assembly	4	Cylinder Assembly	
Traction Pedal Assembly	5	Engine Briggs and Stratton 303447-1180-E1	27
Neutral System Assembly	6	Crankshaft Assembly	
Hydraulic Pump Installation Assembly	7	Engine Briggs and Stratton 303447-1180-E1	28
Variable Reversible Pump Assembly		Crankcase Assembly	
No. 95-0587	8	Engine Briggs and Stratton 303447-1180-E1	29
Rear Wheel Drive Assembly	10	Carburetor Assembly	
Hydraulic Cylinder Assembly No. 83-7000	11	Engine Briggs and Stratton 303447-1180-E1	30
Hydraulic Motor Assembly No. 75-9831	12	Air Cleaner Assembly	
Hydraulic Motor Assembly No. 75-9840	13	Engine Briggs and Stratton 303447-1180-E1	31
Seat Assembly	14	Blower Housing Assembly	
Fuel Tank Assembly	15	Engine Briggs and Stratton 303447-1180-E1	32
Engine Installation Assembly	16	Governor Assembly	
Dash Panel Assembly	17	Engine Briggs and Stratton 303447-1180-E1	33
Shroud and Oil Cooler Assembly	18	Flywheel Assembly	
Air Cleaner Assembly No. 95-5805	19	Engine Briggs and Stratton 303447-1180-E1	34
Hydraulic Oil Reservoir and Filter Assembly ...	20	Starter Assembly	
Lift Valve Installation Assembly	21	Engine Briggs and Stratton 303447-1180-E1	35
Valve Assembly No. 43-1710-01	22	Engine Parts Kit	
Rear Wheel Brake Assembly	23	Engine Briggs and Stratton 303447-1180-E1	36
Brake Assembly No. 104-7705	24	Gasket Assembly	
Assembly	25	Engine Briggs and Stratton 303447-1180-E1	37
Hydraulic Schematic	26	Carburetor Overhaul Kit Assembly	
		Engine Briggs and Stratton 303447-1180-E1	38

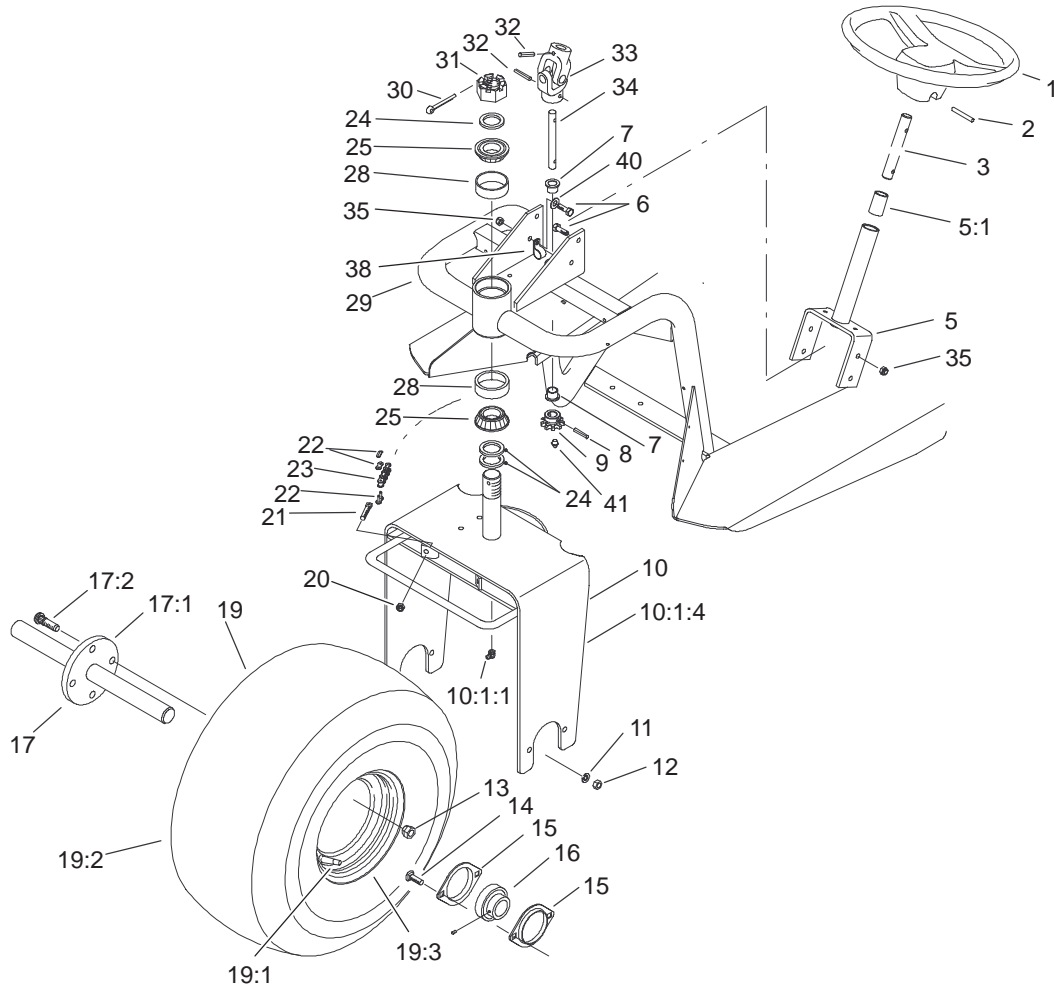
Accessories

Description	Model / Part No.	Description	Model / Part No.
Rake Mounting Kit	08814	Chute Discharge Kit (Debris Blower)	08860
Tooth Rake	08812	Snow Blade	44900
Spring Rake	08813	Seat with Suspension Kit	30797
Weeder Cultivator	08815	Seat Adapter Plate	92-7171
Dozer Blade	08821	Draw Bar	92-2330
Drag Mat Kit	08850	Spark Arrestor Screen	95-5819
Finish Grader	08867	Blower Mounting Kit	08850
Spiker	08856	Sand Pro CE Kit	95-5832
Debris Blower	08857		

Part Description Abbreviations

Part descriptions in this catalog may include the following abbreviations.

Abbreviation	Meaning	Abbreviation	Meaning
AR	as required	HYD	hydraulic
ASM	assembly	INC	incorporated
CARR	carriage	LH	left hand
DEG	degrees	NI	nylon insert
FH	flat head	PPH	Phillips pan head
GA	gauge	PTH	Phillips truss head
HF	hex flange	PTO	power take off
HH	hex head	RH	right hand
HHF	hex head flange	SFH	slotted fillister head
HLH	hex lag head	SHH	slotted hex head
HJ	hex jam	SQH	square head
HOC	height-of-cut	SHWH	slotted hex washer head
HS	hex socket	SPH	slotted pan head
HSBH	hex socket button head	SRH	slotted round head
HSFH	hex socket flat head	STD	standard
HSH	hex socket head	TAP	self tapping
HWH	hex washer head	TTH	Torx truss head
HWHTF	hex washer head thread forming	WH	wing head



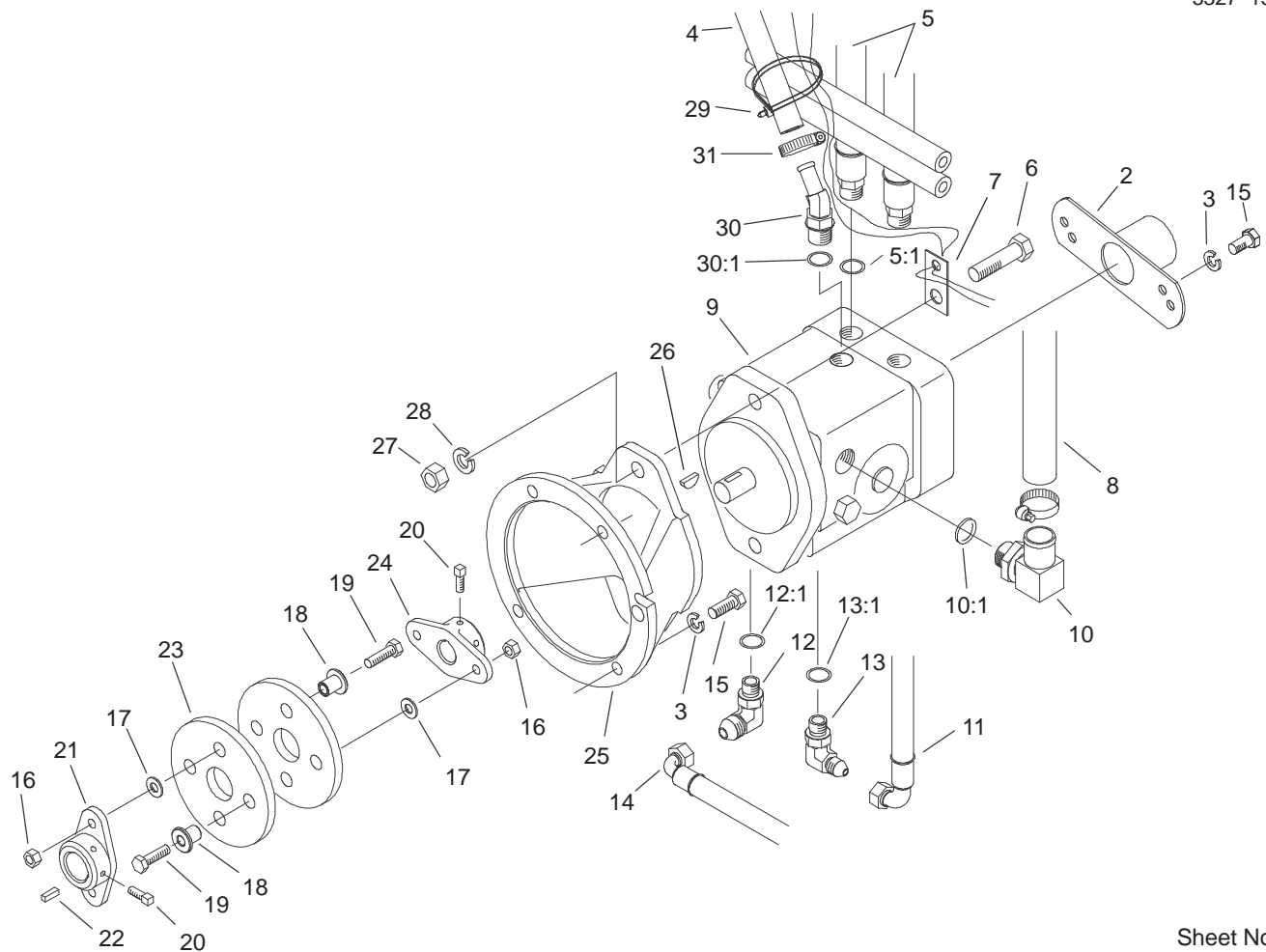
Sheet No.:2

Front Wheel and Steering Assembly

Ref. No.	Part No.	Qty.	Description
1	76-1420	1	Wheel-Steering
2	32121-111	1	Pin-Roll
3	85-6610	1	Shaft-Steering
5	92-5035	1	Post-Steering
5:1	256-185	1	Bushing
6	322-5	4	Screw-HH
7	65-8770	2	Bushing-Bellcrank
8	98-0973	1	Pin-Grooved
9	85-9180	1	Sprocket-Steering
★10		1	Fork ASM
10:1:1	302-33	1	Fitting-Grease
10:1:4	95-0571-01	1	Fork-Offset
11	3253-21	4	Washer-Lock
12	3217-7	4	Nut-Hex
13	242-50	4	Nut-Lug
14	3231-2	4	Screw-CARR
15	251-166	4	Bearing-Flange
16	251-165	2	Bearing-Ball
★17		1	Front Axle ASM
17:1	84-7940	1	Shaft-Axle
17:2	10-6830	4	Stud-Type, Drive
★19		1	Wheel & Tire ASM
19:1	232-35	1	Stem-Valve
19:2	85-8290	1	Tire
19:3	94-6116	1	Wheel-Rear
20	3296-4	2	Nut-Lock, NI

Ref. No.	Part No.	Qty.	Description
21	18-6380	2	Pin-Adjustment, Steering
22	2710-11	2	Link-Chain
23	92-5039	1	Chain-Steering
24	18-6320	3	Washer-Steering
25	254-70	2	Bearing-Cone
28	254-61	2	Bearing-Cup
29	95-0600-01	1	Frame
30	3272-37	1	Pin-Cotter
31	32136-9	1	Nut-Hex, Slot
32	32121-15	2	Pin-Roll
33	85-9200	1	Knuckle-Steering
34	98-0928	1	Shaft-Steering, Lower
35	3296-29	4	Nut-Lock, NI
38	94-6821	2	Clamp-Wire
40	3256-23	2	Washer-Flat
41	302-2	1	Fitting-Grease

★ Not serviced separately



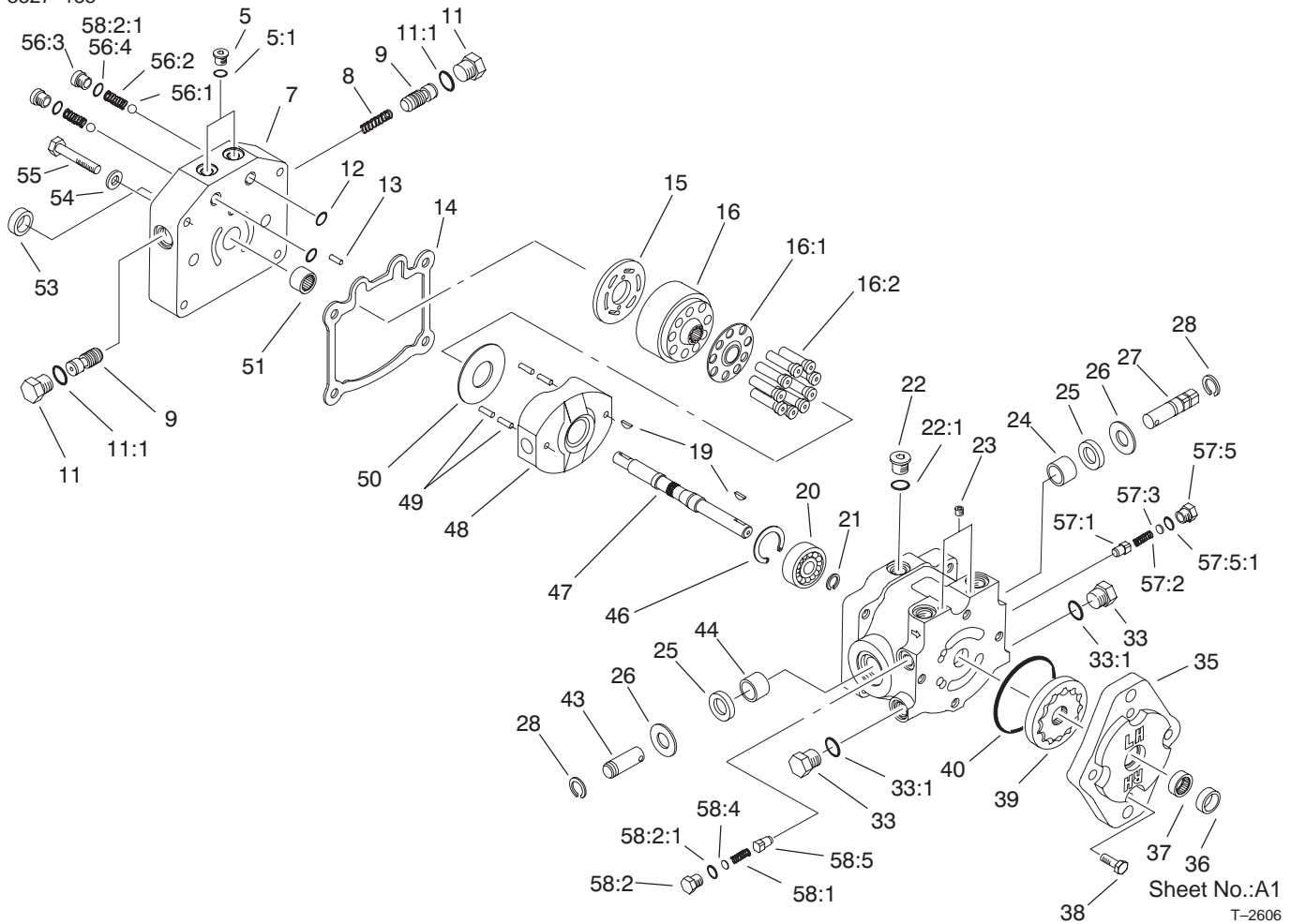
Sheet No.:5

Hydraulic Pump Installation Assembly

Ref. No.	Part No.	Qty.	Description
2	95-0632-03	1	Cover ASM
3	3253-5	6	Washer-Lock
4	98-8153	1	Hose-Return
5	95-0595	2	Hose-HYD
5:1	237-79	1	O-Ring
6	325-7	2	Screw-HH
7	26-2950	1	Wire-Standoff
8	95-0555	1	Hose-Suction
9	95-0587	1	Pump-Reversible, Variable
10	95-0629	1	Fitting-Hose, Push On
10:1	237-80	1	O-Ring
11	95-0592	1	Hose ASM
12	353-511	1	Elbow-90°
12:1	237-42	1	O-Ring
13	353-374	1	Elbow-90°
13:1	237-42	1	O-Ring
14	95-0591	1	Hose-HYD
15	323-6	6	Screw-HH
16	3296-29	4	Nut-Lock, NI
17	3256-23	4	Washer-Flat
18	71-4411	4	Spacer
19	322-17	4	Screw-HH
20	3241-5	4	Screw-Set
21	27-1960	1	Hub-Engine
22	13-2840	1	Key-Square

Ref. No.	Part No.	Qty.	Description
23	80-8650	2	Coupling-Drive
24	49-9600	1	Hub-Pump
25	95-0631-03	1	Mount-Pump
26	3257-32	1	Key-Woodruff
27	3217-9	2	Nut-HH
28	3253-7	2	Washer-Lock
29	3290-378	1	Tie-Cable
30	354-126	1	Fitting-HYD, 45°
30:1	237-79	1	O-Ring
31	2412-36	1	Clamp-Hose

3327-155

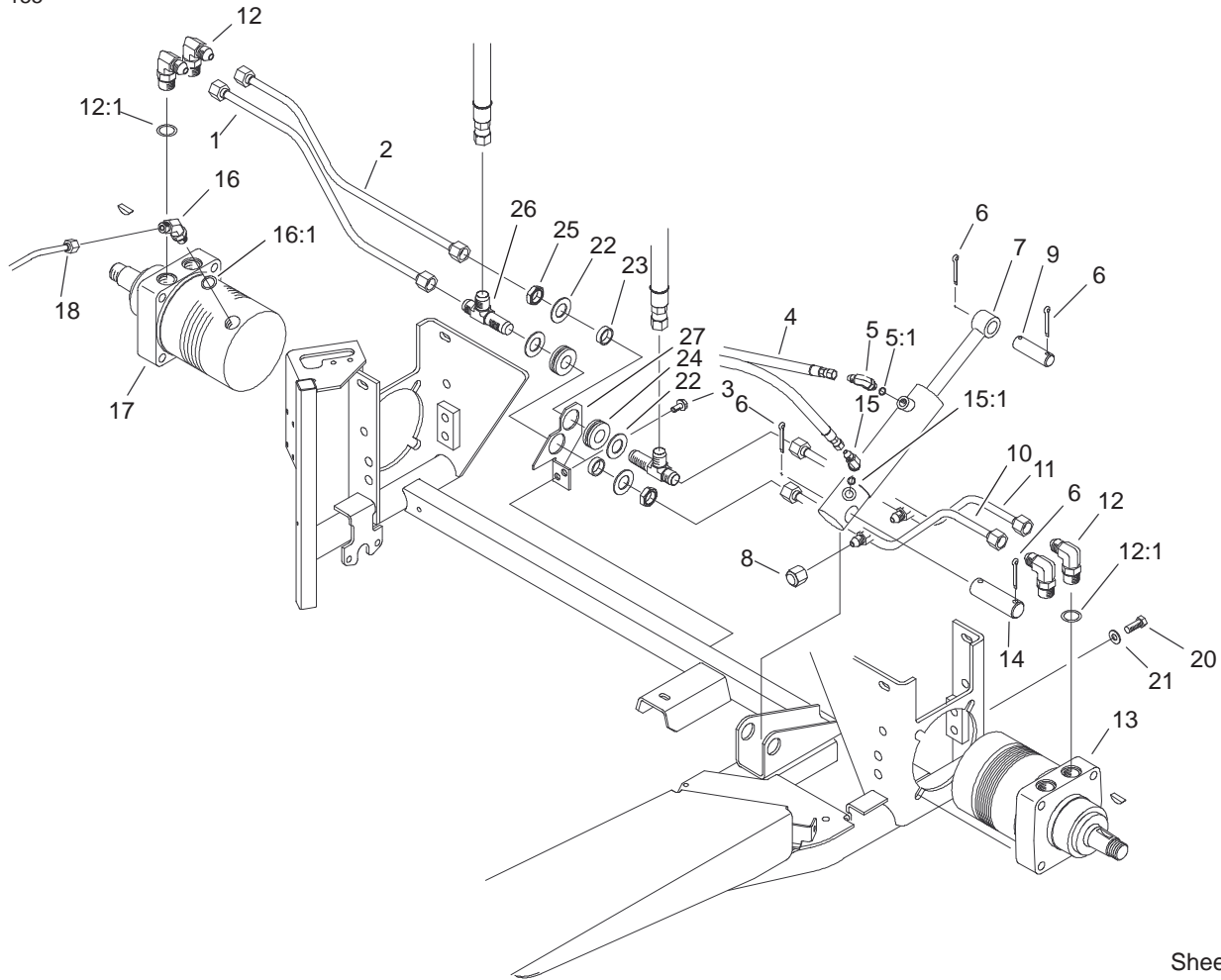


Variable Reversible Pump Assembly No. 95-0587

Ref. No.	Part No.	Qty.	Description
5	92-8776	2	Plug
5:1	92-8777	1	O-Ring
7	95-5808	1	Cap-End
8	95-5815	1	Spring-Valve, Accel.
9	95-5814	2	Valve-Acceleration
11	95-5816	1	Plug
11:1	237-79	1	O-Ring
12	93-4132	2	O-Ring
13	25-2430	1	Pin-Dowel
14	25-2400	1	Gasket
15	95-5811	1	Plate-Valve
16	48-1800	1	Cylinder Block Kit
☆16:1		1	Retainer-Slipper
☆16:2		9	Piston ASM
19	3257-32	2	Key-Woodruff
20	95-5809	1	Bearing-Ball
21	95-5813	1	Ring-Retaining
22	353-988	1	Plug-Hex, Hollow
22:1	237-79	1	O-Ring
23	285-17	2	Plug-Pipe
24	88-8190	1	Bearing-Journal
25	25-3210	2	Seal-Lip
26	25-2510	2	Washer-Flat
27	88-8180	1	Shaft-Trunnion
28	32151-46	2	Ring-Retaining
33	88-8210	2	Plug

Ref. No.	Part No.	Qty.	Description
33:1	237-80	1	O-Ring
35	25-2690	1	Housing-Pump, Charge
36	67-8060	1	Seal-Lip
37	67-8050	1	Bearing-Needle
38	322-4	4	Screw-HH
39	95-5812	1	Gerotor ASM
40	237-95	1	O-Ring
43	25-2500	1	Shaft-Trunnion
44	252-82	1	Bearing-Needle
46	32120-11	1	Ring-Retaining
47	95-5810	1	Shaft
48	25-2450	1	Plate-Swash, Variable
49	32121-91	4	Pin-Spring, Coil
50	25-2380	1	Plate-Thrust
51	46-8400	1	Bearing-Shaft
53	88-8230	1	Seal-Lip
55	323-45	4	Screw-HH
56	99-5689	1	Check Valve ASM
56:1	25-2490	1	Ball
56:2	25-2640	1	Spring-Valve
56:3	25-2650	1	Plug-Valve, Check
56:4	237-86	1	O-Ring
57	49-8520	1	Implement Relief Kit
57:1	83-7260	1	Cone-Relief, Charge
57:2	25-2570	1	Spring-Valve

☆ Not serviced separately



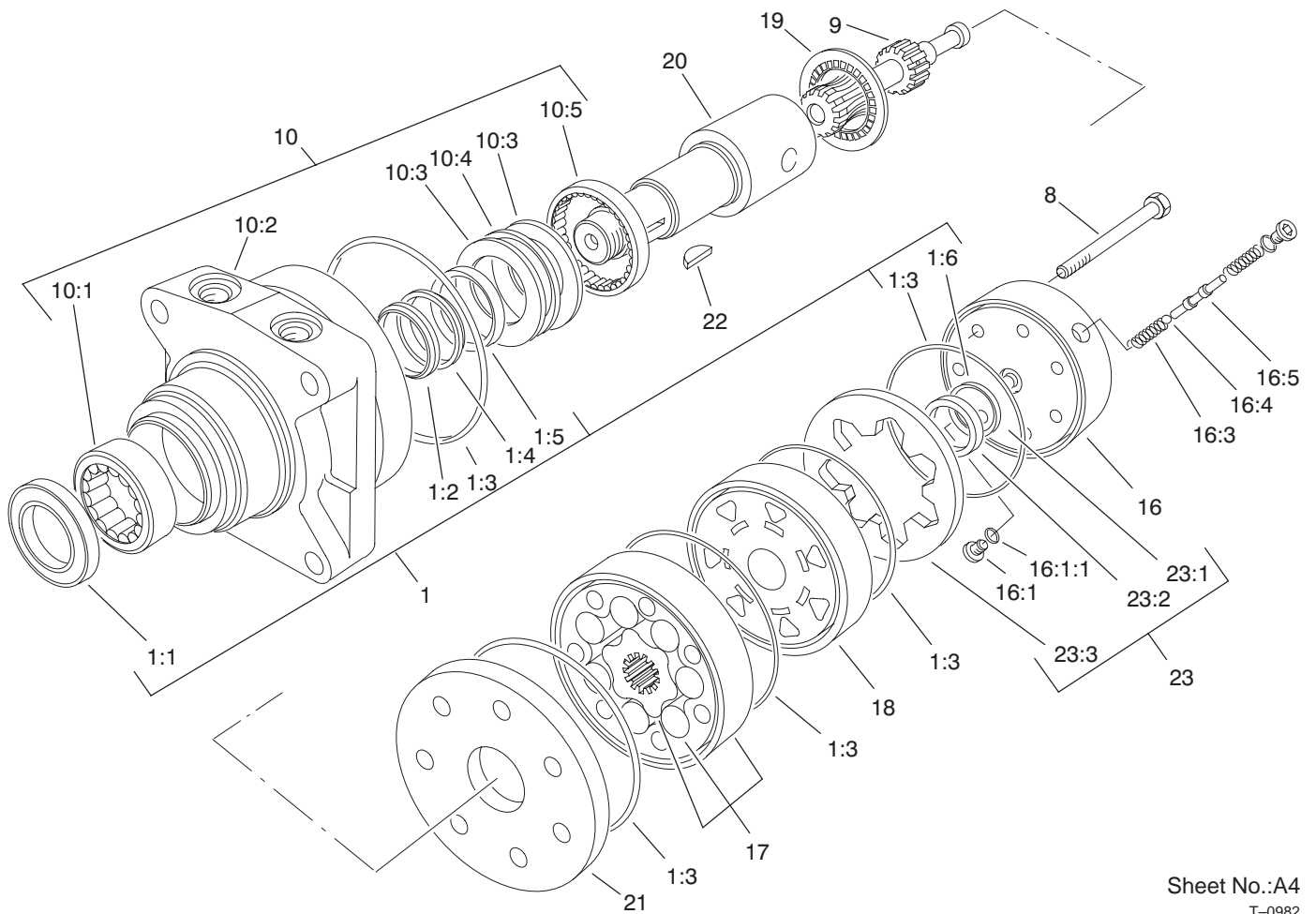
Sheet No.:6

Rear Wheel Drive Assembly

Ref. No.	Part No.	Qty.	Description
1	95-0564	1	Tube-RH, Front
2	95-0559	1	Tube-RH, Rear
3	32144-14	2	Screw-HWH
4	22-4670	2	Hose-Valve/Cylinder
*4:1	237-78	1	O-Ring
5	354-132	1	Fitting
5:1	237-78	1	O-Ring
6	3272-23	4	Pin-Cotter
7	83-7000	1	HYD Cylinder ASM
8	95-0594	2	Fitting-Cap
9	18-7310	1	Pin-Cylinder
10	95-0560	1	Tube-LH, Front
11	95-0567	1	Tube-LH, Rear
12	353-426	4	Fitting-90°
12:1	237-80	1	O-Ring
13	75-9831	1	Motor-HYD
14	18-7160	1	Pin-Cylinder
15	353-431	1	Fitting-45°
15:1	237-78	1	O-Ring
16	353-212	1	Elbow
16:1	237-42	1	O-Ring
17	75-9840	1	Motor-HYD
18	95-0575	1	Tube-Valve, Shuttle
20	325-5	4	Screw-HH
21	3256-26	4	Washer-Flat
22	69-8930	4	Washer

Ref. No.	Part No.	Qty.	Description
23	69-8960	2	Spacer
24	240-5	2	Grommet
25	95-0642	2	Locknut-Bulkhead
26	95-0577	2	Fitting-Bulkhead
27	95-0568-01	1	Bracket-Bulkhead

* Not illustrated



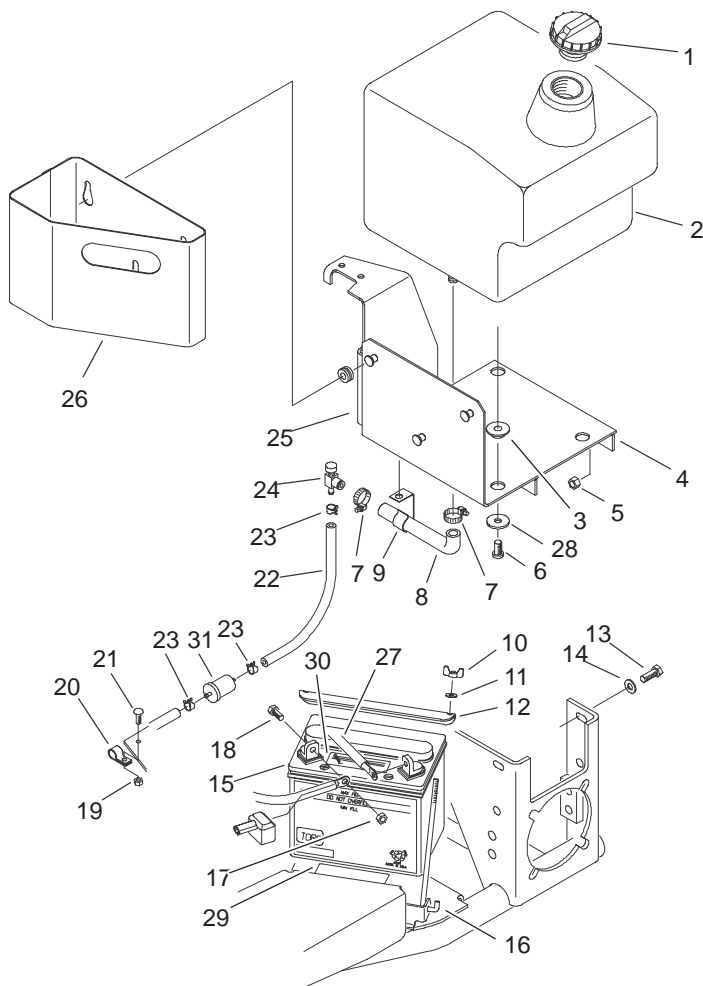
Sheet No.:A4
T-0982

Hydraulic Motor Assembly No. 75-9840

Ref. No.	Part No.	Qty.	Description
1	94-8178	1	Seal Kit
☆1:1		1	Seal-Dirt & Water
☆1:2		1	Washer-Backup
☆1:3		5	Seal-Ring
☆1:4		1	Washer-Backup
☆1:5		1	Seal-Inner
☆1:6		1	Seal-Commutator
8	76-1040	7	Screw-Cap, HH
9	76-0820	1	Line-Drive
10	76-0810	1	Housing ASM
☆10:1		1	Bearing
☆10:2		1	Housing
☆10:3		2	Washer-Thrust
☆10:4		1	Bearing-Thrust
☆10:5		1	Bearing
16	76-0890	1	End Cover ASM
16:1	353-990	2	Plug
16:1:1	237-78	1	O-Ring
☆16:3		2	Spring
☆16:4		1	Ball
☆16:5		1	Valve-Shuttle
17	76-0830	1	Set-Rotor
18	76-0840	1	Manifold
19	76-0850	1	Bearing-Thrust
20	76-0860	1	Shaft-Coupling
21	76-0870	1	Plate-Wear

Ref. No.	Part No.	Qty.	Description
22	3257-42	1	Key-Woodruff
23	76-0880	1	Commutator ASM
☆23:1		1	Seal-Commutator
☆23:2		1	Commutator
☆23:3		1	Ring-Commutator

☆ Not serviced separately

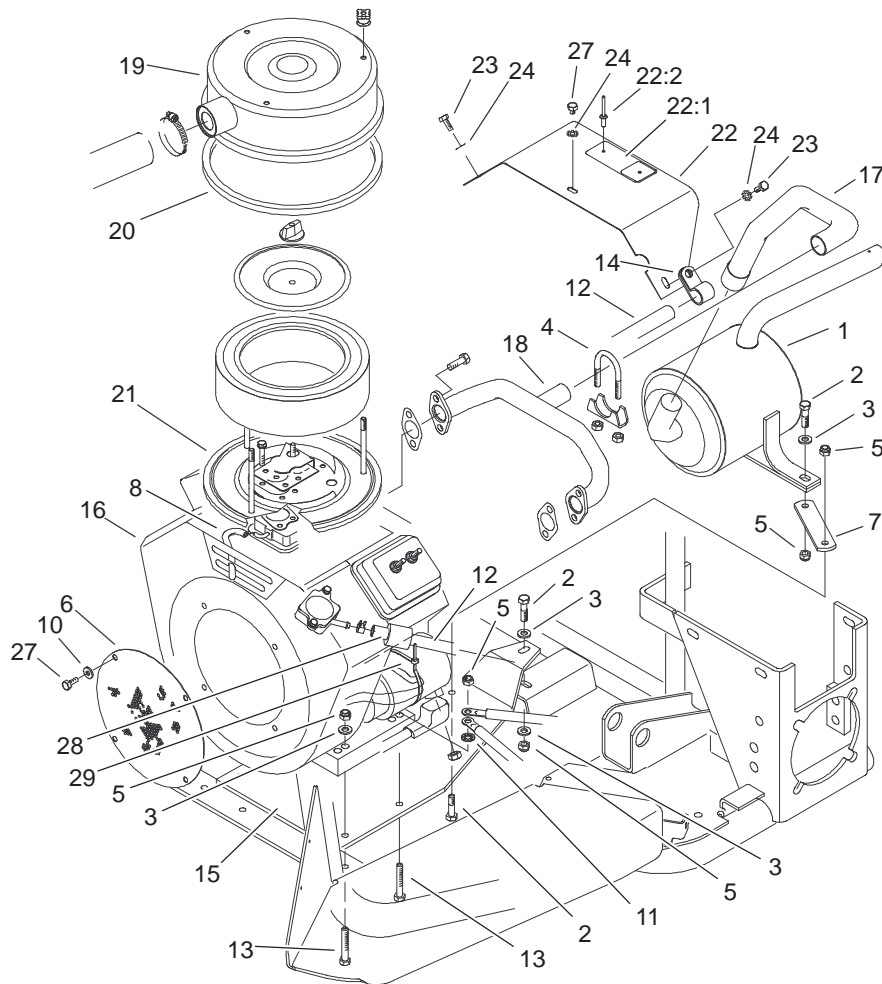


Sheet No.:8

Fuel Tank Assembly

Ref. No.	Part No.	Qty.	Description
1	93-7170	1	Cap-Fuel
2	92-7186	1	Tank-Fuel
3	240-11	4	Grommet-Mount, Tank
4	95-0576-03	1	Base-Tank, Fuel
5	3296-39	3	Nut-Lock, NI
6	3250-36	4	Screw-PPH
7	2412-36	2	Clamp-Hose
8	92-7152	1	Hose-Fuel
9	92-7160	1	Clip
10	32103-12	2	Nut-Wing
11	3256-22	2	Washer-Flat
12	92-5018-03	1	Clamp-Battery
13	323-6	3	Screw-HH
14	3256-24	3	Washer-Flat
15	92-1678	1	Battery
16	56-7720	2	Post-Battery
17	3296-29	2	Nut-Lock, NI
18	322-3	2	Screw-HH
19	3296-42	1	Nut-Lock, NI
20	2412-73	1	Clamp-R
21	3274-69	1	Screw-HSBH
22	95-0618	1	Hose-Line, Gas
23	2412-98	4	Clamp
24	83-1390	1	Fitting-Shut-Off, Fuel
25	240-9	3	Grommet

Ref. No.	Part No.	Qty.	Description
26	86-7640-01	1	Box-Litter
27	86-7450	1	Cable-Ground
28	63-8410	4	Washer
29	93-6668	1	Decal-Battery
30	93-7276	1	Decal-Danger
31	94-2690	1	Filter-Fuel

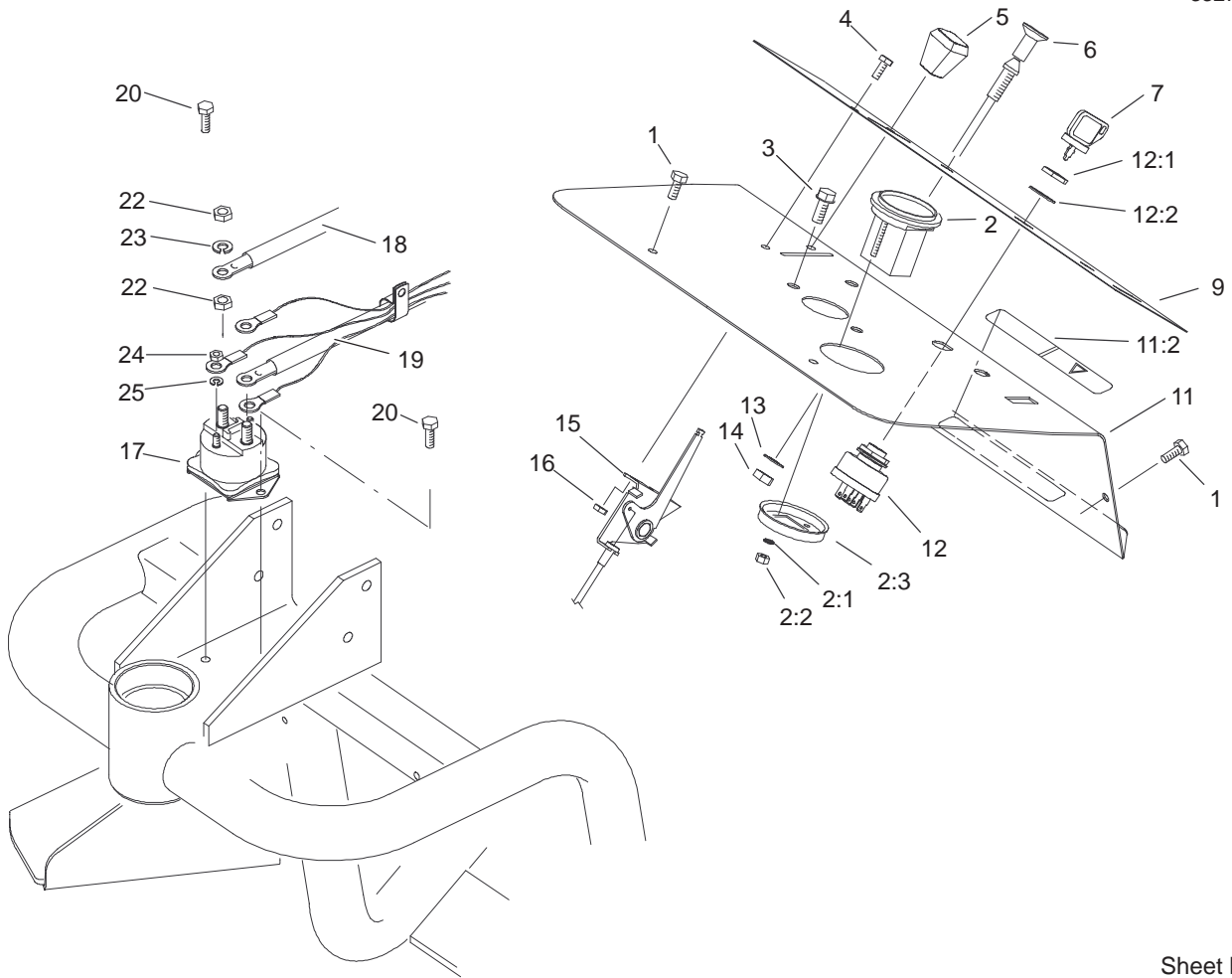


Sheet No.:9

Engine Installation Assembly

Ref. No.	Part No.	Qty.	Description
1	95-0552	1	Muffler
2	322-5	3	Screw-HH
3	3256-23	6	Washer-Flat
4	95-0586	2	Clamp-Muffler
5	3296-29	7	Nut-Lock, NI
6	92-8996-03	1	Screen
7	95-0557	1	Bracket-Muffler
8	75-4705	1	Hose-Fuel
10	3256-1	4	Washer-Flat
11	3255-8	1	Washer-Lock/Ext
12	94-4522	1	Hose-Breather
13	322-10	4	Screw-HH
14	2412-73	1	Clamp-R
15	95-0556-03	1	Base-Engine
16	98-0940	1	Engine-16hp, B&s 303447-1180-E1
17	95-0551	1	Tube-Exhaust
18	95-0550	1	Manifold-Exhaust
19	85-8370-03	1	Cover-Cleaner, Air
20	85-8360	1	Gasket-Ring
21	85-8430-03	1	Base-Cleaner, Air
22	105-8523	1	Muffler Shield ASM
22:1	95-0645	1	Plate-Surface, Hot
22:2	3269-32	2	Rivet-Pop
23	33113-012	2	Screw-HH
24	3255-7	3	Washer-Lock/Ext

Ref. No.	Part No.	Qty.	Description
27	33113-008	5	Screw-HH
28	38-3400	1	Guard-Rubber
29	3290-379	1	Tie-Cable



Sheet No.:10

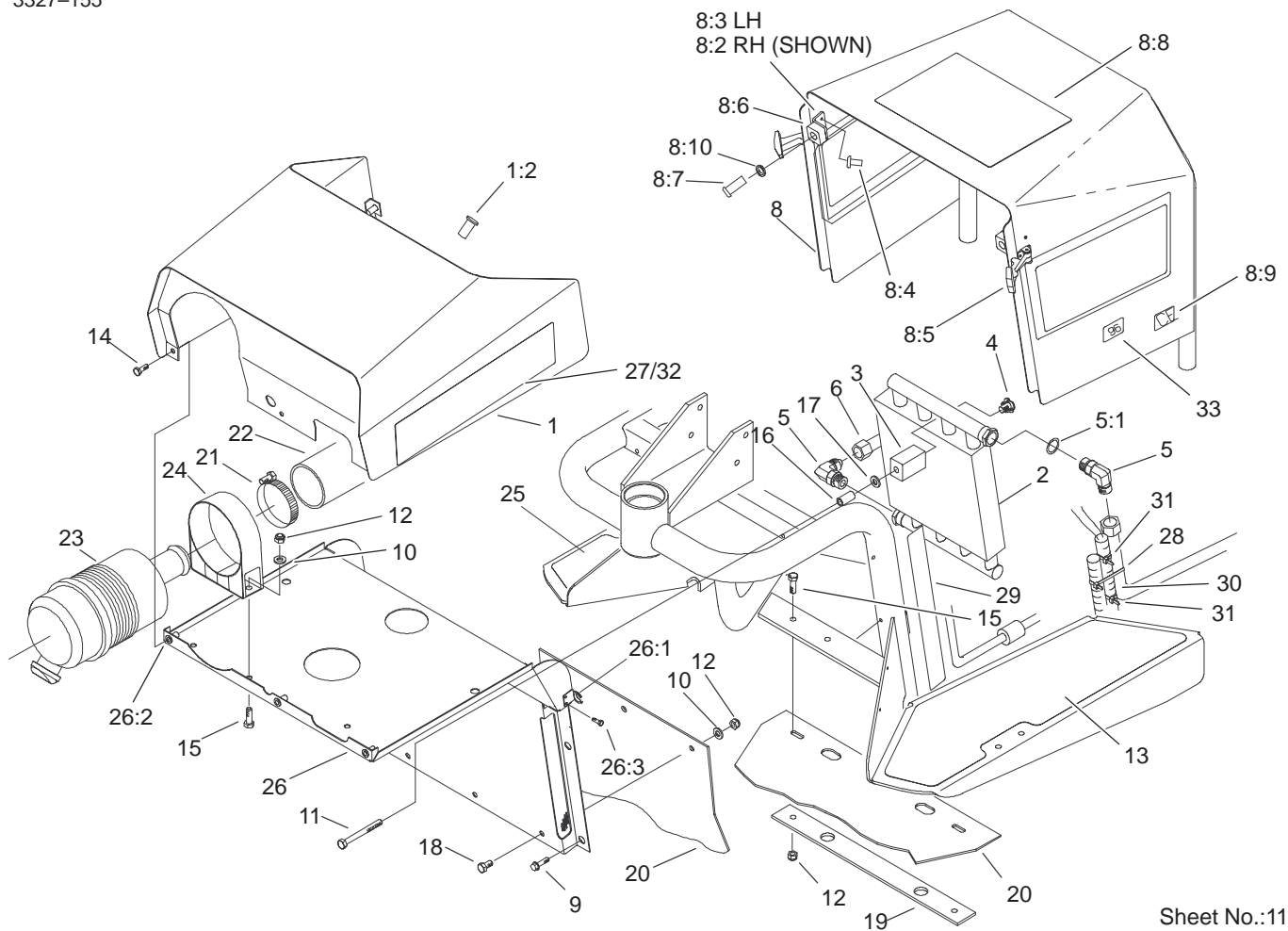
Dash Panel Assembly

Ref. No.	Part No.	Qty.	Description
1	3234-33	4	Screw-HHF
2	66-2950	1	Gauge-Hourmeter
2:1	3255-20	2	Washer-Lock
2:2	3217-25	2	Nut-Hex
☆2:3		1	Clamp-Gauge
3	32144-11	2	Screw-TAP
4	32105-2	2	Screw-SHWH
5	66-0120	1	Knob
6	95-0597	1	Control-Choke
7	63-8360	2	Key-Ignition
9	95-0648	1	Decal
11	105-8524	1	Dash Panel ASM
11:2	93-9052	1	Decal-Danger
12	83-0020	1	Switch-Starter
12:1	218-461	1	Nut-HH
12:2	3254-5	1	Washer-Lock, Internal
13	3254-6	1	Washer-Lock, Internal
14	3219-3	1	Nut-HH
15	95-0598	1	Control-Throttle
16	3296-12	2	Nut-Lock
17	28-4210	1	Solenoid
18	95-5825	1	Wire ASM
*18:1	83-2430	1	Boot-Terminal
19	95-0599	1	Wire ASM
*19:1	28-8080	1	Boot-Terminal
20	32104-95	2	Screw-HWH

Ref. No.	Part No.	Qty.	Description
22	3218-13	2	Nut-Jam
23	3253-4	2	Washer-Lock
24	3219-14	2	Nut-Hex
25	3253-17	2	Washer-Lock/Sp

☆ Not serviced separately

* Not illustrated

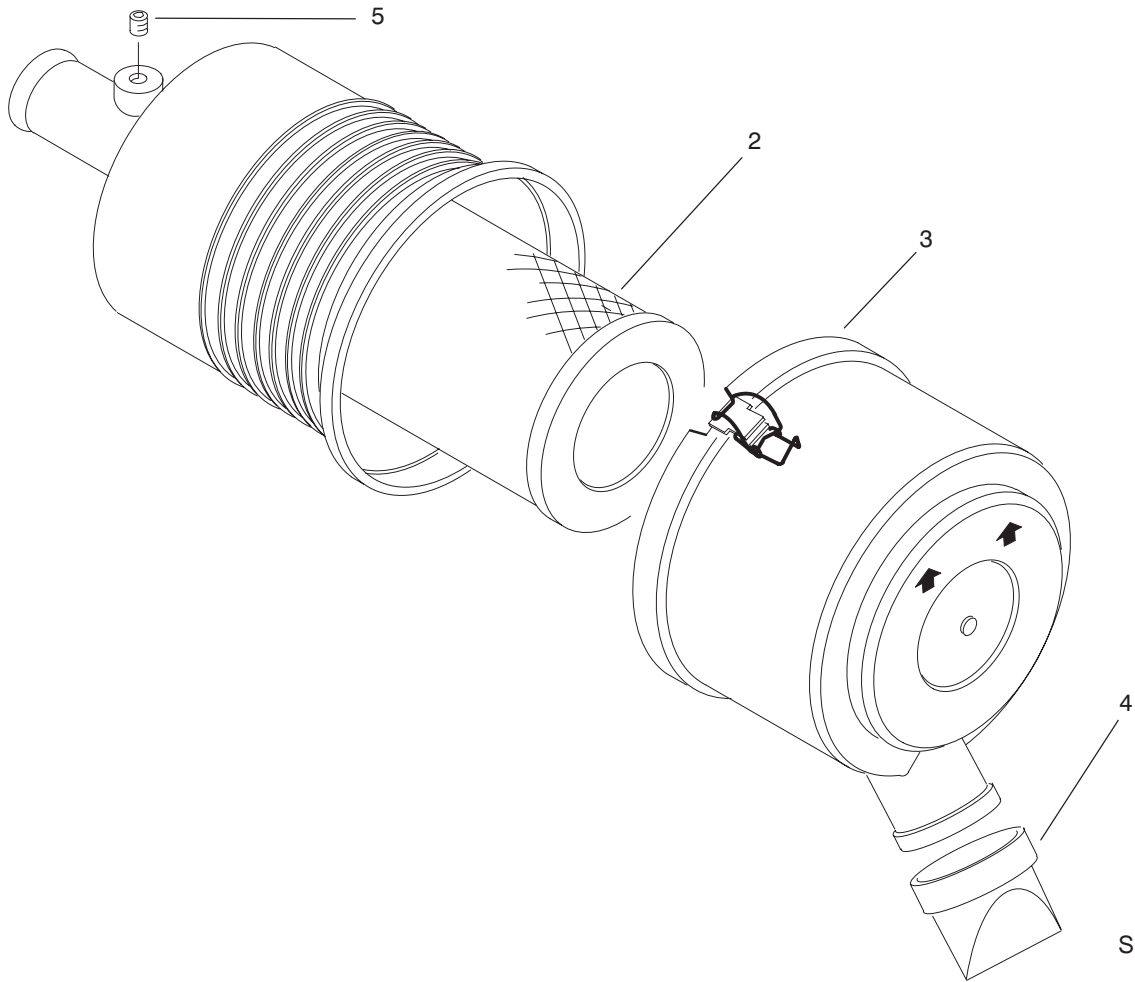


Sheet No.:11

Shroud and Oil Cooler Assembly

Ref. No.	Part No.	Qty.	Description
1	99-1644	1	Dash Shroud ASM
1:2	32148-6	4	Nut-Insert
2	92-8997	1	Cooler-Oil
3	85-9550	2	Clamp-Rubber
4	85-9670	2	Nut
5	353-371	2	Elbow-90°
5:1	237-79	1	O-Ring
6	95-0643	1	Tube-Valve To Cooler
8	95-0610	1	Engine Cover ASM
8:2	95-0611	1	Bracket-RH
8:3	95-0612	1	Bracket-LH
8:4	3269-8	6	Rivet
8:5	117344	2	Handle ASM
8:6	94-1392	2	Pad-Rubber
8:7	3269-28	2	Rivet-Pop
8:8	92-8985	1	Decal-Operating
8:9	93-7252	1	Decal-International
8:10	3256-14	2	Washer-Flat
9	46-8560	6	Screw-HHF
10	3256-23	4	Washer-Flat
11	322-14	2	Screw-HH
12	3296-29	6	Nut-Lock, NI
13	92-7159	1	Tread-Floor, LH
14	3234-33	3	Screw-HHF
15	322-5	4	Screw-HH
16	95-5807	2	Spacer

Ref. No.	Part No.	Qty.	Description
17	3256-82	2	Washer-Flat
18	322-2	2	Screw-HH
19	95-0620-01	1	Strip-Retainer
20	95-5826	1	Shield-Rubber
21	2412-92	2	Clamp-Hose
22	95-0582	1	Hose-Intake, Air
23	95-5805	1	Air Cleaner ASM
24	95-5806	1	Bracket-Mounting
25	92-7158	1	Tread-Floor, RH
26	95-5817	1	Front Shield ASM
26:1	249-40	2	Keeper
26:2	32148-6	3	Nut-Insert
26:3	3269-8	4	Rivet
27	95-0606	2	Decal-Sp 2020
28	3290-379	2	Tie-Cable
29	95-5828	2	Strip-Wear
30	94-4519	1	Tube-Convolute
31	3290-378	2	Tie-Cable
32	95-7860	2	Decal-Infield, Pro 2020
33	105-7872	1	Decal-Noise, Ce

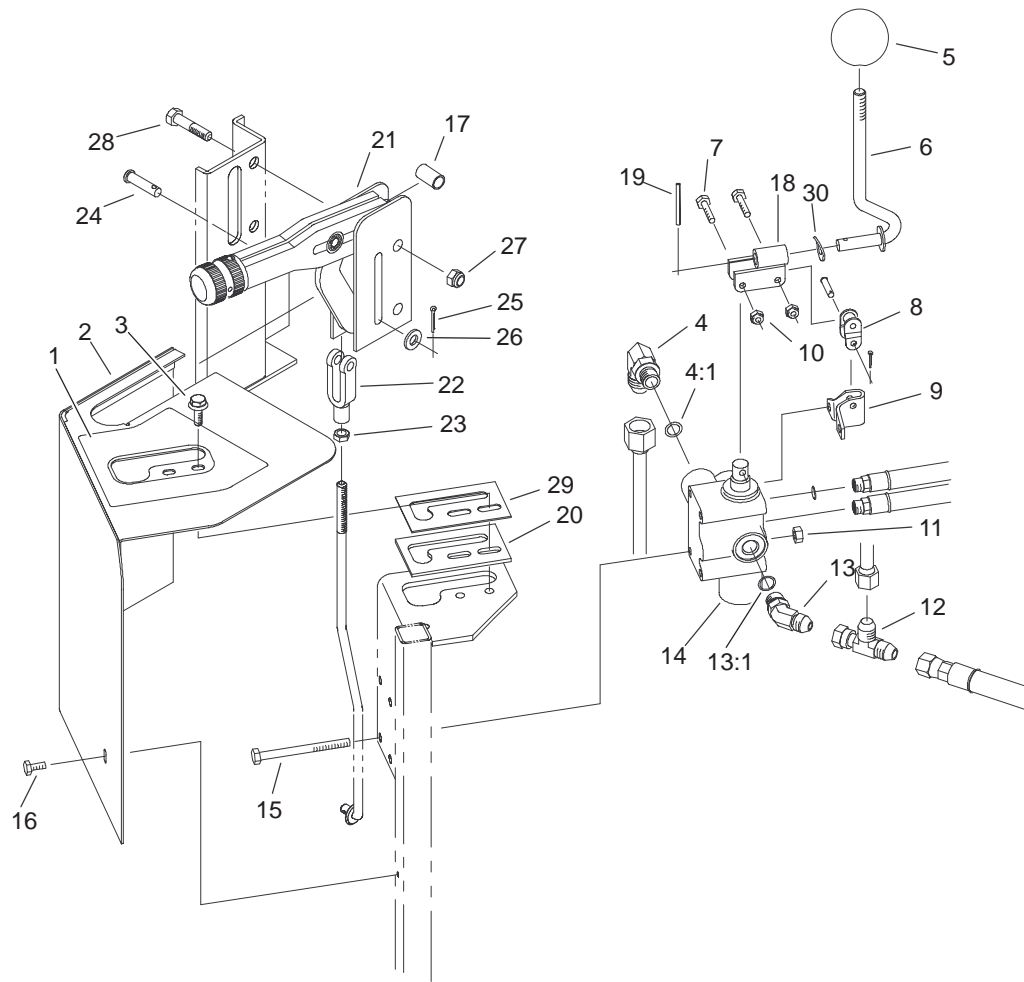


Sheet No.:A5
T-2607

Air Cleaner Assembly No. 95-5805

Ref. No.	Part No.	Qty.	Description
2	93-2195	1	Filter
3	94-3652	1	Cover ASM
4	94-1414	1	Valve-Vacuator
5	285-17	1	Plug-Pipe

Ref. No.	Part No.	Qty.	Description

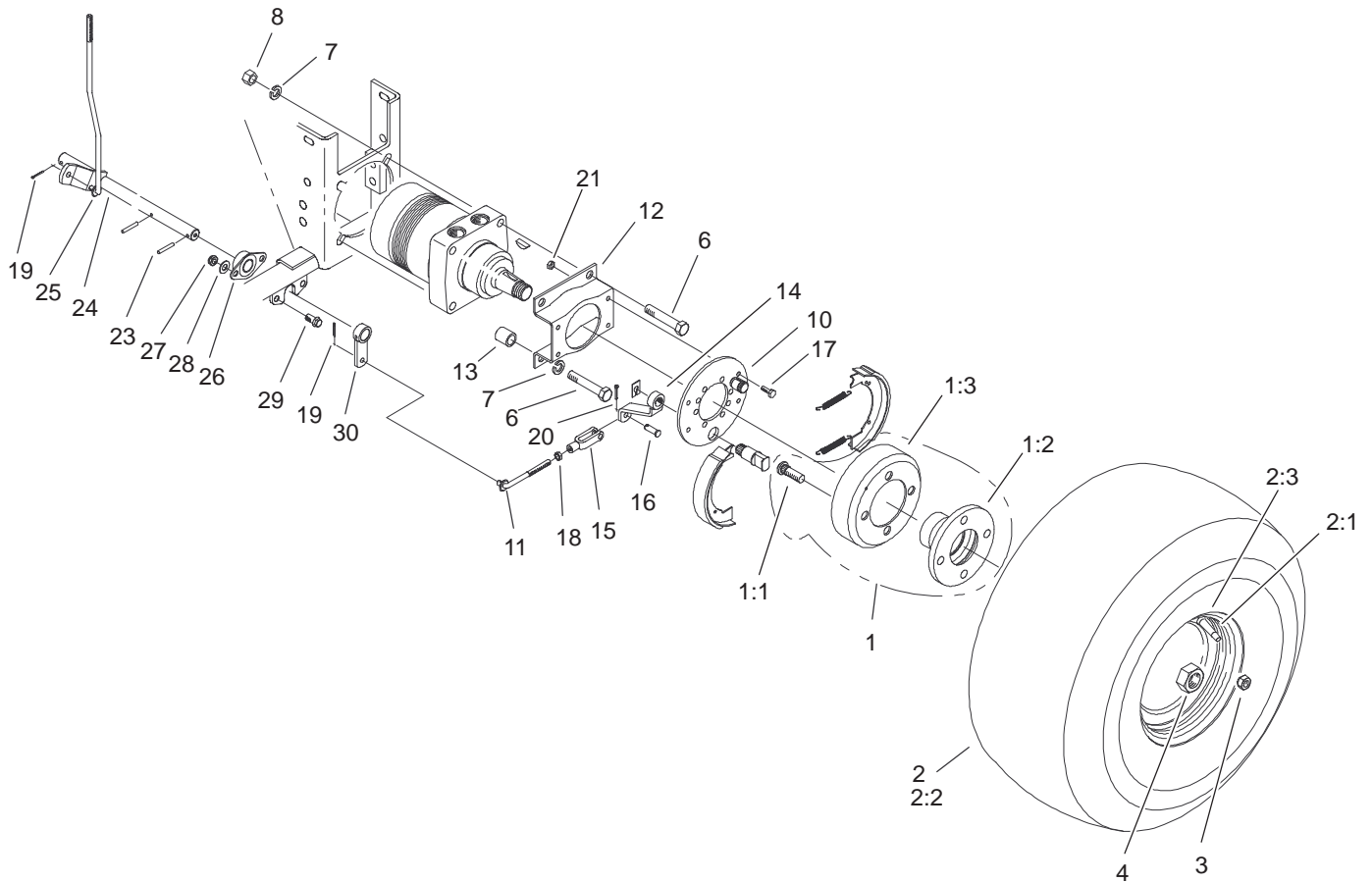


Sheet No.:13

Lift Valve Installation Assembly

Ref. No.	Part No.	Qty.	Description
1	95-0647	1	Decal-Controls
2	95-0601-01	1	Vavle Shroud ASM
3	3234-33	2	Screw-HHF
4	353-511	1	Elbow-90°
4:1	237-42	1	O-Ring
5	233-21	1	Knob
6	92-8981	1	Lift Lever ASM
7	3290-360	2	Screw-HH
8	2710-20	1	Link-Offset
9	88-8480	1	Bracket-Pivot
10	3296-2	2	Nut-Lock
11	3296-42	4	Nut-Lock, NI
12	353-877	1	Swivel-Tee-Run
13	353-212	1	Elbow
13:1	237-42	1	O-Ring
14	43-1710-01	1	Valve ASM
15	321-23	4	Screw-HH
16	32104-76	1	Screw
17	85-0290	2	Spacer-Pivot, Seat
18	92-8983	1	Pivot
19	32121-73	1	Pin-Roll
20	21-8640	1	Latch-Lever, Valve
21	95-0636	1	Lever-Brake
22	282-2	1	Yoke
23	3220-2	1	Nut
24	283-14	1	Pin-Clevis

Ref. No.	Part No.	Qty.	Description
25	3272-6	1	Pin-Cotter
26	3256-23	1	Washer-Flat
27	3296-29	2	Nut-Lock, NI
28	322-8	2	Screw-HH
29	95-5833	1	Guide-Lever
30	3290-477	1	Washer-Curved

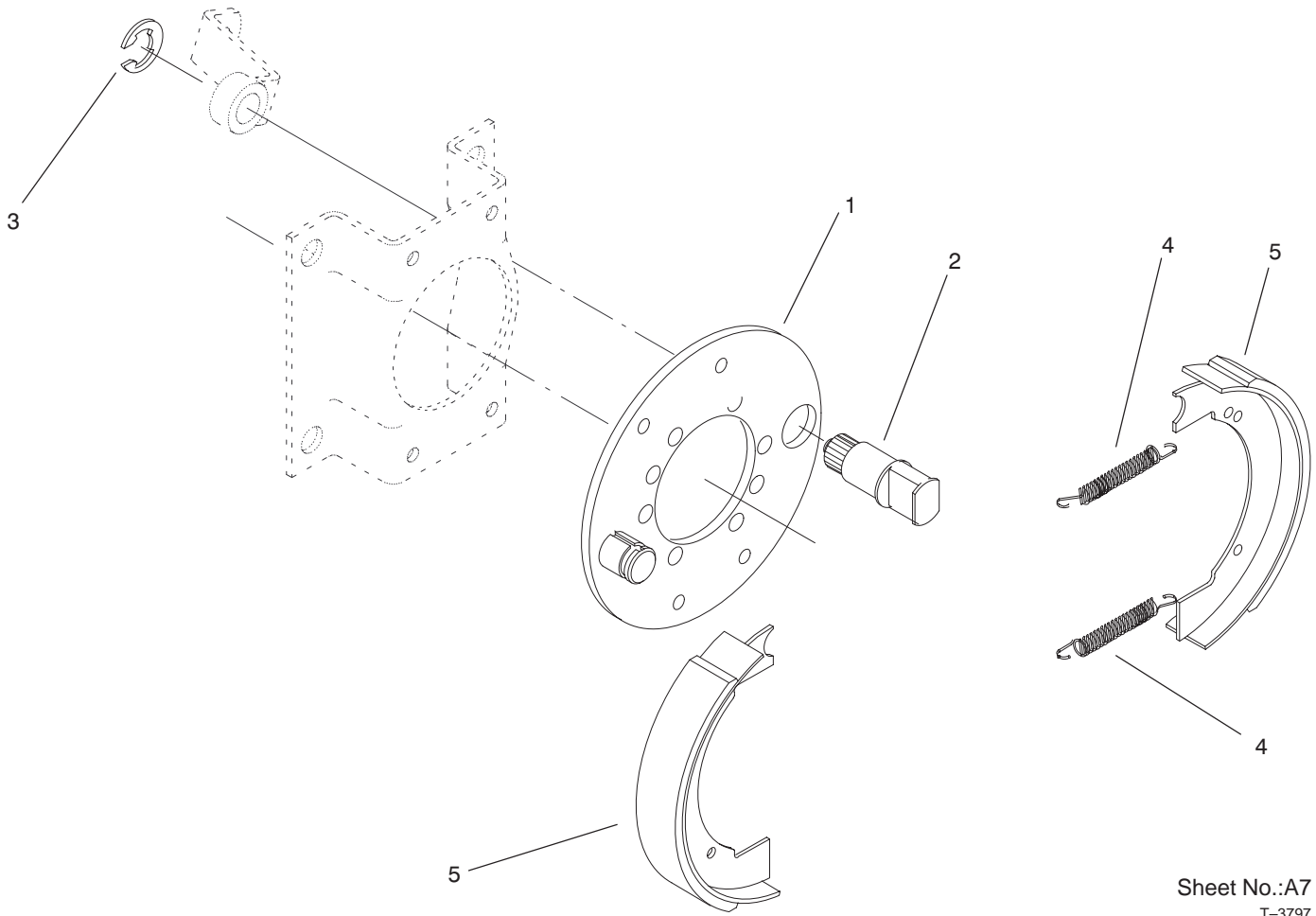


Sheet No.:14

Rear Wheel Brake Assembly

Ref. No.	Part No.	Qty.	Description
1	17-8149	2	Wheel Hub ASM
1:1	85-6540	4	Stud-Drive
1:2	93-6838-03	1	Hub-Wheel
1:3	10-6850	1	Drum-Brake
2		2	Wheel & Tire ASM
2:1	232-35	1	Stem-Valve
2:2	85-8290	1	Tire
2:3	94-6116	1	Wheel-Rear
3	242-50	8	Nut-Lug
4	26-3790	2	Nut-Lock
6	325-14	8	Screw-HH
7	3253-7	8	Washer-Lock
8	3217-9	4	Nut-HH
10	104-7705	2	Brake ASM
11	84-1990	2	Rod-Adjusting
12	84-2000-03	2	Bracket-Brake
13	92-1715	8	Spacer
14	93-6850	2	Lever-Brake
15	282-2	2	Yoke
16	283-1	2	Pin-Yoke
17	321-4	8	Screw-HH
18	3220-2	2	Nut
19	3272-6	3	Pin-Cotter
20	3272-10	2	Pin-Cotter
21	3296-42	8	Nut-Lock, NI
23	32121-6	3	Pin-Roll

Ref. No.	Part No.	Qty.	Description
24	95-0625	1	Rod-Traverse
25	95-0628	1	Rod-Brake
26	27-2320	2	Bearing
27	3296-59	4	Nut-Lock, NI
28	3256-24	4	Washer-Flat
29	3234-1	4	Screw-HHF
30	83-9310	2	Lever-Brake, RH

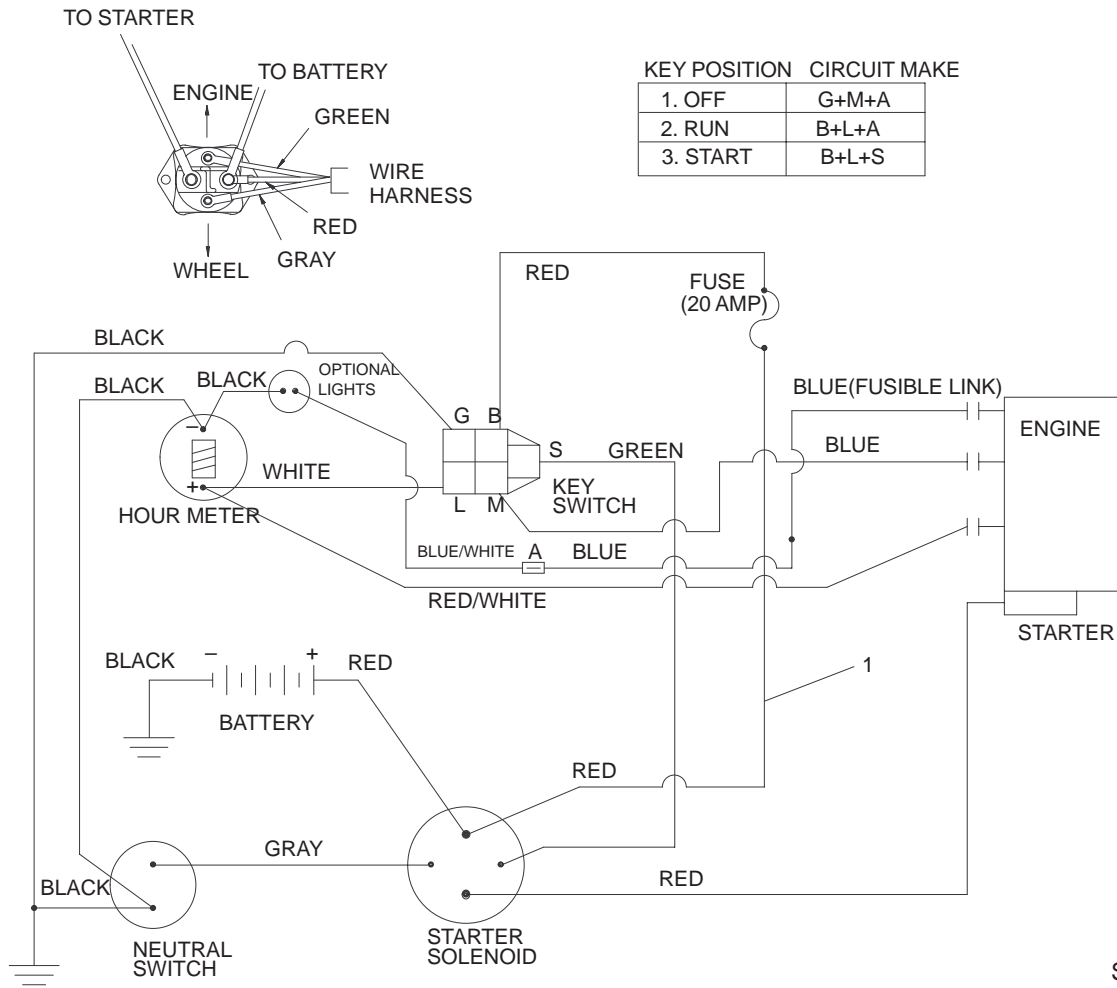


Sheet No.:A7
T-3797

Brake Assembly No. 104-7705

Ref. No.	Part No.	Qty.	Description
1	70-9870	1	Plate-Backing
2	104-7707	1	Shaft-Cam, Brake
3	104-7706	1	E-Ring, Bowed
4	70-9880	2	Spring-Return
5	70-9840	2	Shoe-Brake

Ref. No.	Part No.	Qty.	Description



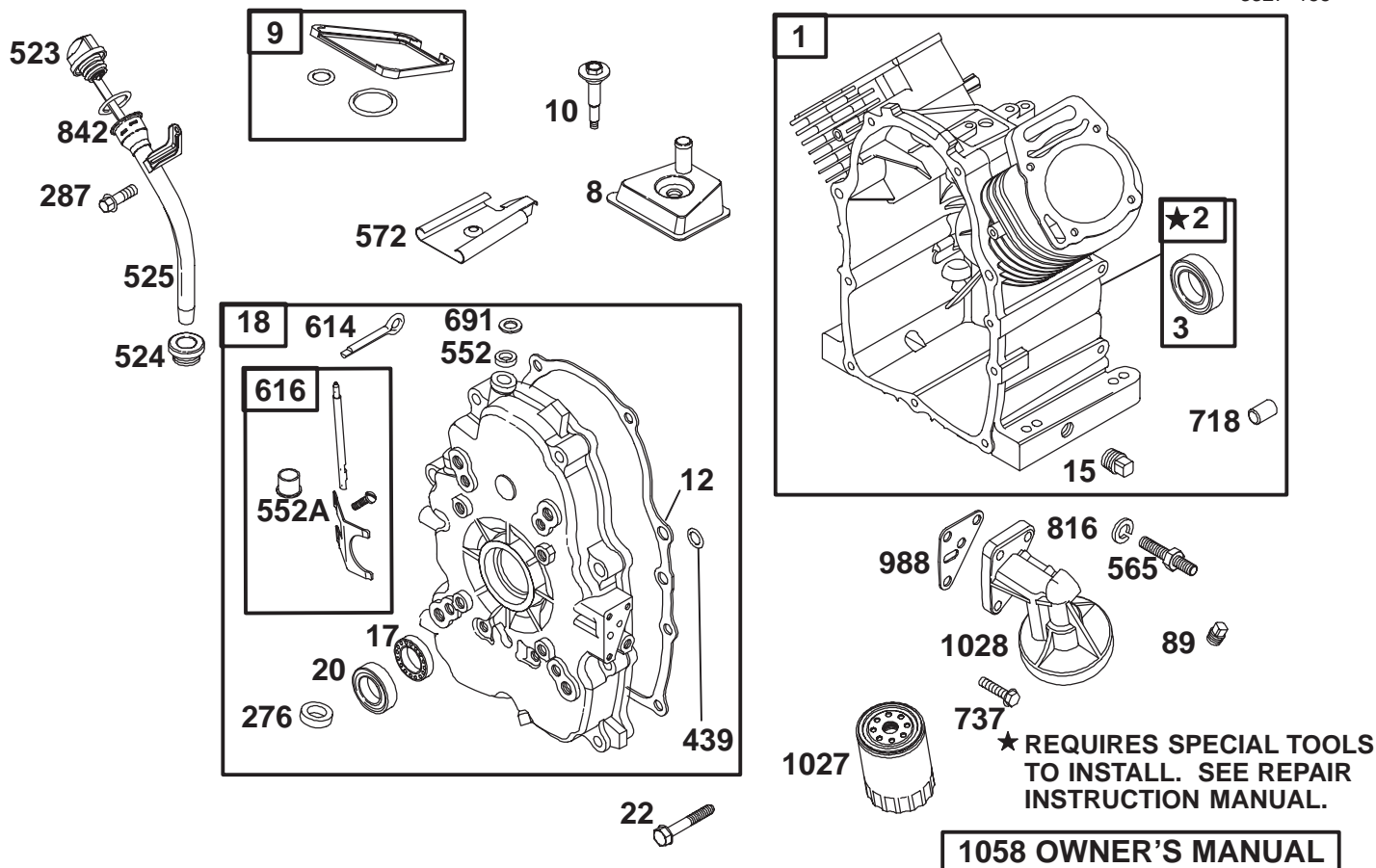
KEY POSITION	CIRCUIT MAKE
1. OFF	G+M+A
2. RUN	B+L+A
3. START	B+L+S

Sheet No.:15

Assembly

Ref. No.	Part No.	Qty.	Description
1	95-0574	1	Harness-Wire

Ref. No.	Part No.	Qty.	Description



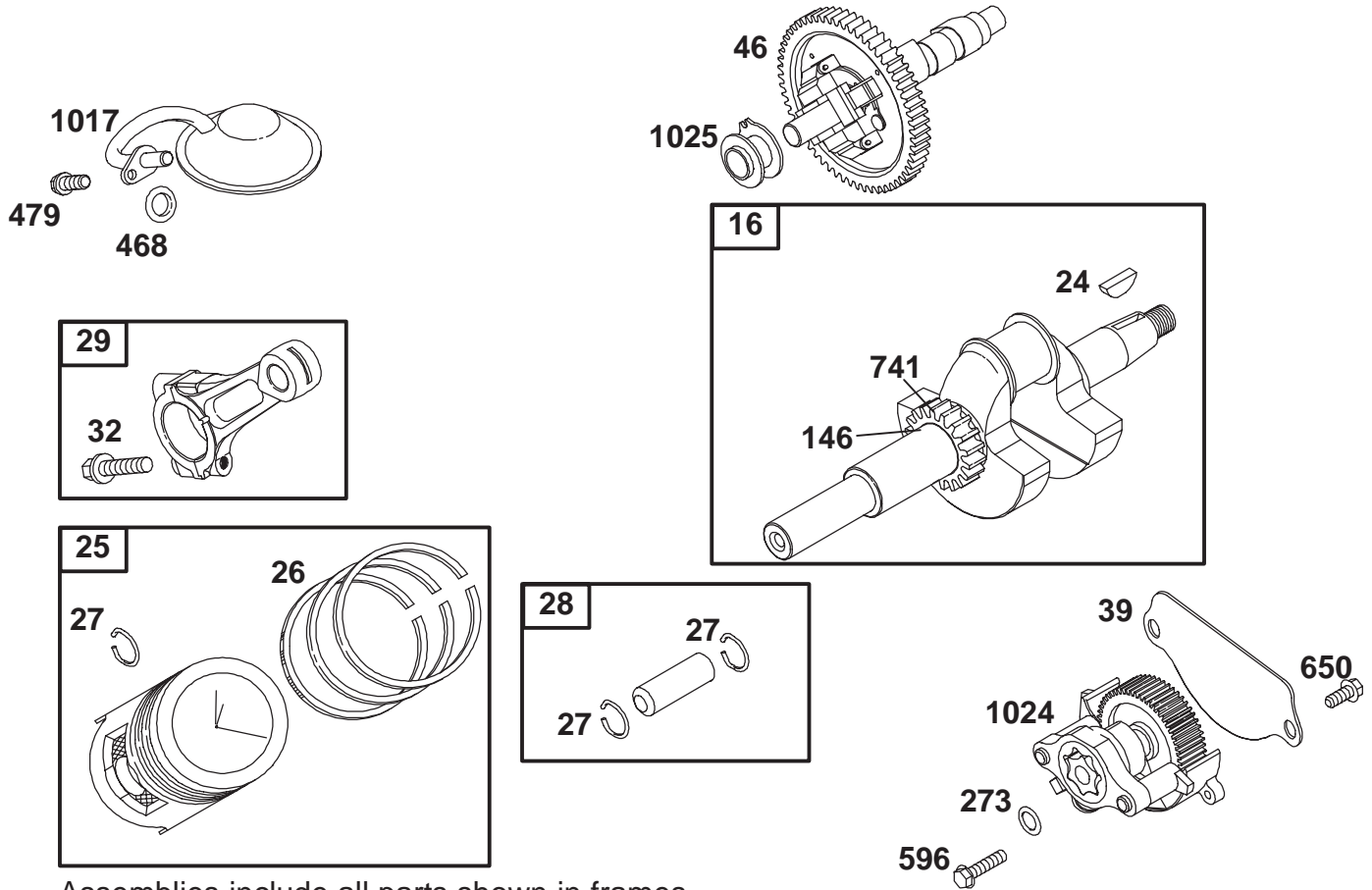
Assemblies include all parts shown in frames.

Cylinder Assembly Engine Briggs and Stratton 303447-1180-E1

Ref. No.	Part No.	Qty.	Description
1	692178	1	Cylinder Assembly
2	808534	1	Bushing/Seal Kit
★3	805101	1	Oil Seal
8	807795	1	Breather Assembly
★9	807688	1	Breather Gasket
10	805751	1	Screw (Breather Assembly)
12	806190	1	Crankcase Cover Gasket
15	805048	1	Oil Drain Plug
17	690752	1	Ball Bearing
18	808847	1	Crankcase Cover
★20	805049	1	Oil Seal
22	692540	1	Screw (Crankcase Cover)
89	690283	1	Oil Plug
276	690704	1	Sealing Washer
287	805247	1	Screw (Dipstick Tube)
439	692154	1	O-Ring Seal (Crankcase Cover)
523	807977	1	Dipstick
★524	281370	1	Dipstick Tube Seal
525	807584	1	Dipstick Tube

Ref. No.	Part No.	Qty.	Description
552	690701	1	Governor Shaft Bushing
552A	806686	1	Governor Shaft Bushing
565	690706	1	Stud (Oil Filter Adapter)
572	805197	1	Breather Baffle
614	691550	1	Cotter Pin
616	806685	1	Governor Crank
★691	690680	1	Governor Shaft Seal
718	690684	1	Locating Pin
737	690679	1	Screw (Oil Filter Adapter)
816	690706	1	Washer (Oil Filter Adapter)
★842	805386	1	Dipstick/Tube Seal
★988	805250	1	Oil Adapter Gasket
1027	492932	1	Oil Filter
1028	808325	1	Oil Filter Adapter
1058	274272	1	Owner's Manual

★Included in Engine Gasket Set – Part No. 808390.



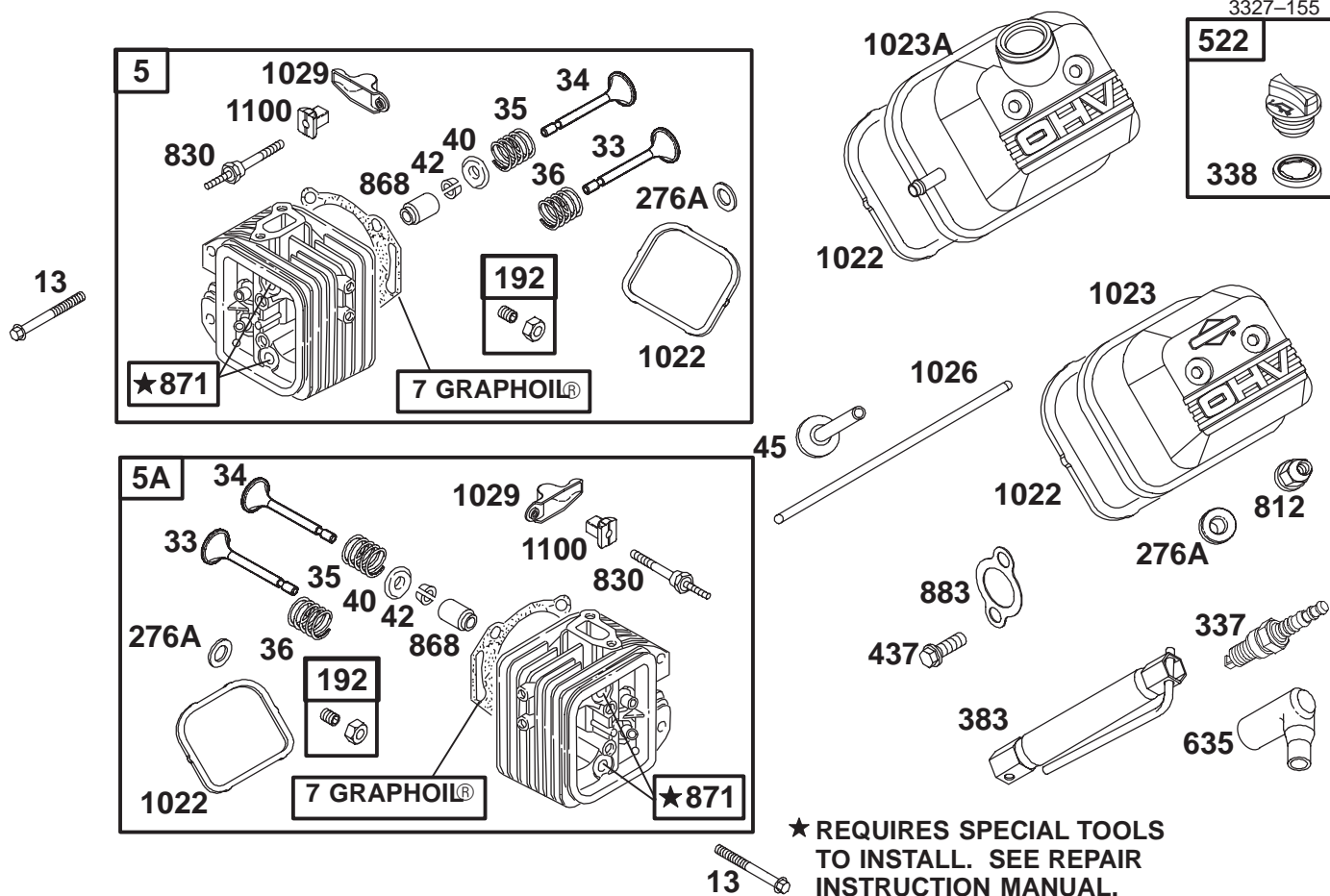
Assemblies include all parts shown in frames.

Crankshaft Assembly Engine Briggs and Stratton 303447-1180-E1

Ref. No.	Part No.	Qty.	Description
16	692168	1	Crankshaft
24	806066	1	Flywheel Key
25	807619	1	Piston Assembly (Standard)
	Note:		
	807807	1	Piston ASM (.010 O.S.)
	807809	1	Piston ASM (.020 O.S.)
	807811	1	Piston ASM (.030 O.S.)
26	807620	1	Ring Set (Standard)
	Note:		
	807808	1	Ring Set (.010 O.S.)
	807810	1	Ring Set (.020 O.S.)
	807812	1	Ring Set (.030 O.S.)
27	690683	1	Piston Pin Lock
28	807621	1	Piston Pin Assembly
29	807900	1	Connecting Rod (Standard)
	Note:		
	807809	1	Connecting Rod (.020 U.S.)
32	690698	1	Screw (Connecting Rod)
39	690745	1	Oil Deflector
46	691557	1	Cam Shaft

Ref. No.	Part No.	Qty.	Description
146	94196	1	Timing Key
*273	690681	1	O-Ring Seal (Oil Pump)
*468	690690	1	O-Ring Seal (Oil Pump Screen)
479	692537	1	Screw (Oil Pump Screen)
596	691492	1	Screw (Oil Pump)
650	692539	1	Screw (Oil Deflector)
741	691530	1	Timing Gear
1017	690900	1	Oil Pump Screen
1024	693185	1	Oil Pump
1025	690689	1	Governor Spool

*Included in Engine Gasket Set – Part No. 808390.



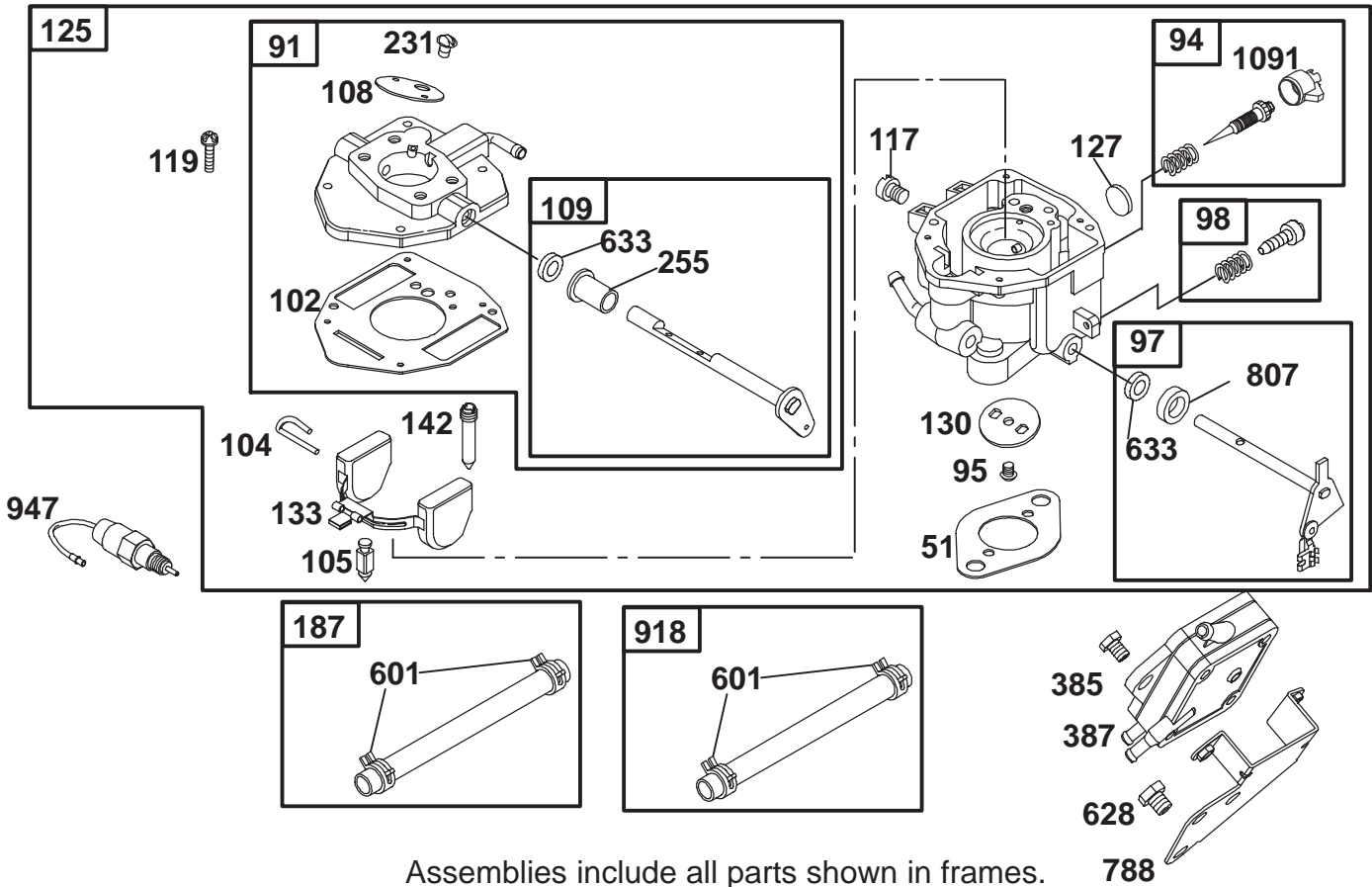
Assemblies include all parts shown in frames.

Crankcase Assembly Engine Briggs and Stratton 303447-1180-E1

Ref. No.	Part No.	Qty.	Description	Ref. No.	Part No.	Qty.	Description
5	808381	1	Cylinder Head (Cylinder #1)	635	805529	1	Spark Plug Elbow Nut
5A	808382	1	Cylinder Head (Cylinder #2)	Δ812	805019	1	Nut (Rocker Arm Cover)
★Δ7	806085	1	Cylinder Head Gasket	830	691544	1	Stud (Rocker Arm)
13	805097	1	Screw (Cylinder Head)	868	805094	1	Valve Seal
33	807681	1	Exhaust Valve	871	805084	1	Guide Bushing
34	807680	1	Intake Valve	★Δ883	805024	1	Exhaust Gasket
35	805937	1	Valve Spring (Intake)	★Δ1022	806039	1	Rocker Cover Gasket
36	805937	1	Valve Spring (Exhaust)	1023	691494	1	Rocker Arm Cover
40	805092	1	Valve Retainer	1023A	690910	1	Rocker Arm Cover
42	807683	1	Valve Retainer	1026	805352	1	Push Rod (Intake Valve)
45	262679	1	Valve Tappet		Note:		
192	807623	1	Rocker Arm Adjuster		805617	1	Push Rod (Exhaust Valve)
★Δ276A	805420	1	Sealing Washer	1029	691543	1	Rocker Arm
337	496018	1	Spark Plug	1100	690973	1	Rocker Arm Pivot
★Δ338	691312	1	Dipstick Gasket				
383	19374	1	Spark Plug Wrench				
522	491832	1	Dipstick/Fill Plug				
437	805158	1	Screw (Exhaust Manifold)				

★Included in Engine Gasket Set – Part No. 808390.

ΔIncluded in Valve Gasket Set – Part No. 808392.



Assemblies include all parts shown in frames. 788

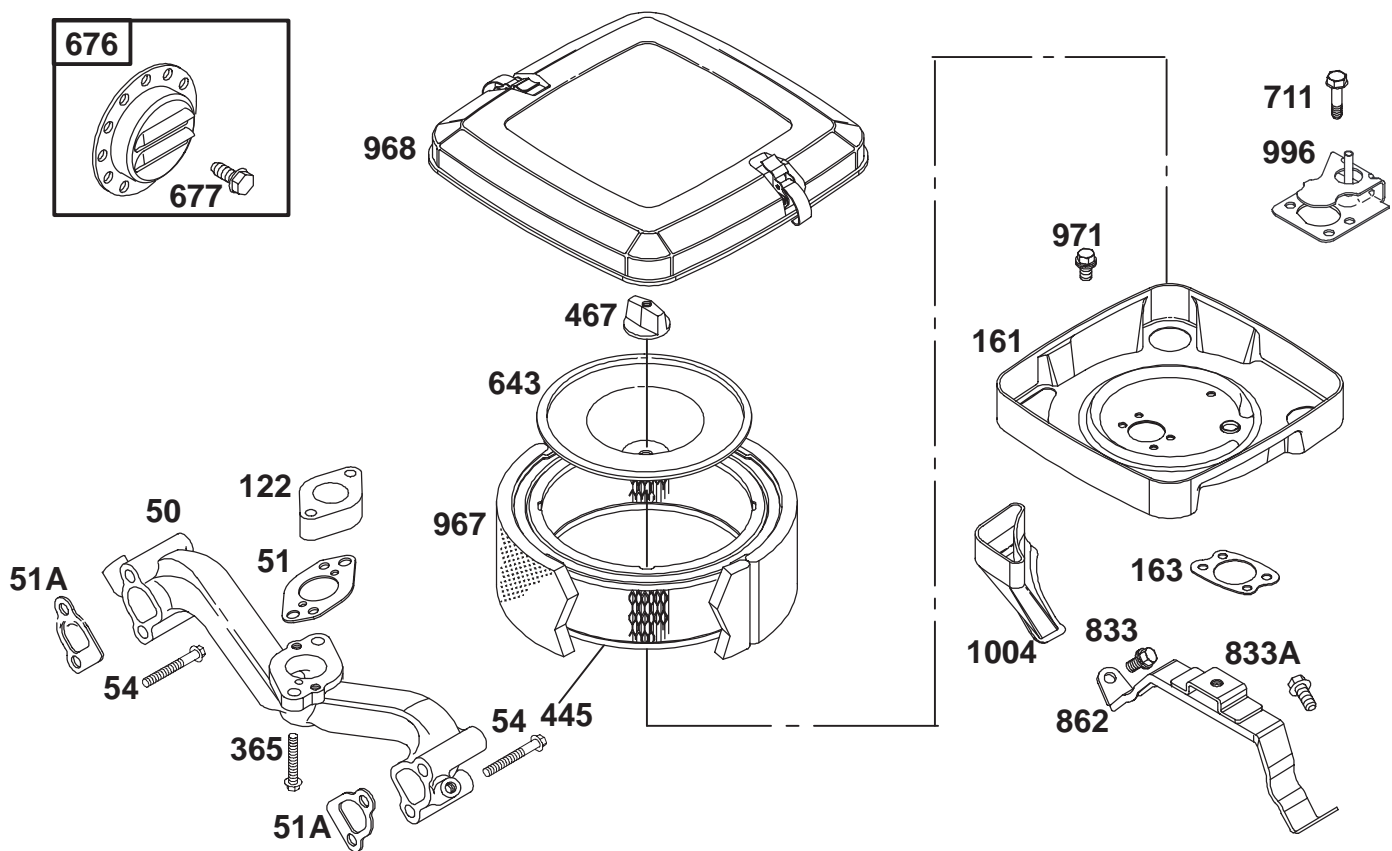
Carburetor Assembly Engine Briggs and Stratton 303447-1180-E1

Ref. No.	Part No.	Qty.	Description
★51	805700	1	Intake Gasket
91	807919	1	Upper Carburetor Body
●94	808257	1	Idle Mixture Kit
95	690718	1	Screw (Throttle Valve)
97	807720	1	Throttle Shaft
98	808177	1	Idle Speed Kit
●102	805541	1	Carburetor Body Gasket
●104	690723	1	Float Hinge Pin
●105	805547	1	Float Needle Valve
108	690719	1	Choke Valve
109	807722	1	Choke Shaft
117	690861	1	Main Jet
	Note:		
	805537	1	Main Jet(High Altitude)
119	690720	1	Screw (Upper to Lower Carburetor Body)
125	808251	1	Carburetor
●127	690727	1	Welch Plug
130	690726	1	Throttle Valve
133	691510	1	Carburetor Float

Ref. No.	Part No.	Qty.	Description
●142	690725	1	Carburetor Nozzle
187	296004	1	Fuel Line (Cut to Length)
231	690718	1	Screw (Choke Valve)
●255	690721	1	Choke Shaft Bushing
385	692537	1	Screw (Fuel Pump)
387	491922	1	Fuel Pump
601	93053	1	Hose Clamp
628	805025	1	Screw (Fuel Pump Bracket)
●633	690722	1	Choke Shaft Seal
788	691559	1	Fuel Pump Bracket
●807	805557	1	Throttle Spacer
918	393815	1	Vacuum Line (Cut to Length)
947	807664	1	Fuel Solenoid
●1091	691516	1	Limiter Cap

★Included in Engine Gasket Set – Part No. 808390.

●Included in Carburetor Overhaul Kit – Part No. 808273.



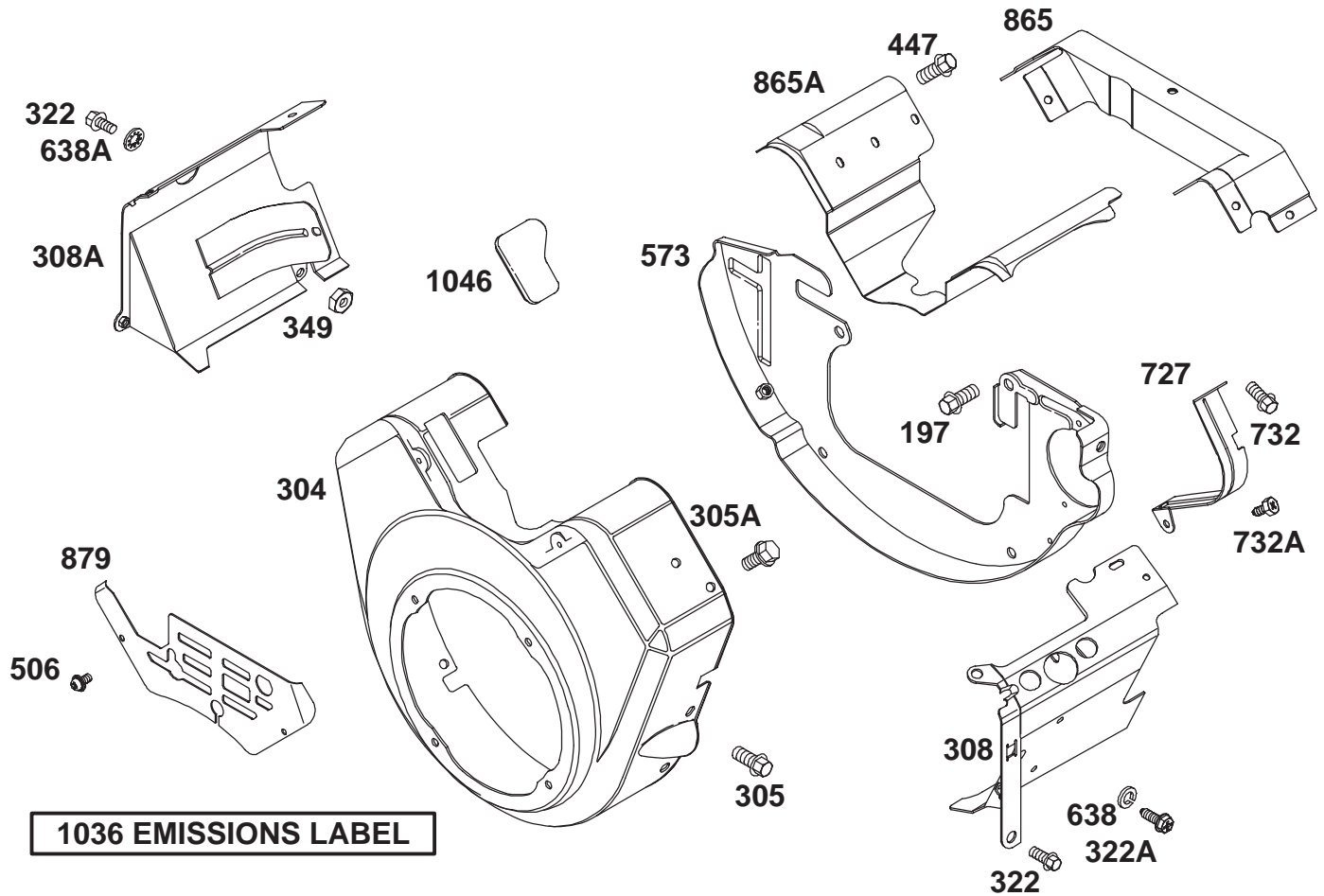
Air Cleaner Assembly Engine Briggs and Stratton 303447-1180-E1

Ref. No.	Part No.	Qty.	Description
50	690754	1	Intake Manifold
★51	805700	1	Intake Gasket
★Δ51A	805023	1	Intake Gasket
54	690676	1	Screw (Intake Manifold)
122	690691	1	Carburetor Spacer
161	691561	1	Air Cleaner Base
★163	805655	1	Air Cleaner Gasket
365	690711	1	Screw (Carburetor)
445	394018	1	Air Cleaner Cartridge Filter
467	491875	1	Air Cleaner Knob
643	805631	1	Air Filter Retainer
676	397630	1	Muffler Deflector
677	94896	1	Screw (Muffler Deflector)
711	691492	1	Screw (Carburetor Shield)
833	692539	1	Screw (Cleaner Mounting Strap)
833A	690872	1	Screw (Cleaner Mounting Strap)

Ref. No.	Part No.	Qty.	Description
862	692153	1	Strap/Stud Air Cleaner Mounting
967	272490	1	Pre Cleaner Filter
968	807862	1	Air Cleaner Cover
971	692539	1	Screw (Air Cleaner Base)
996	691577	1	Carburetor Shield
1004	690743	1	Air Duct

★Included in Engine Gasket Set – Part No. 808390.

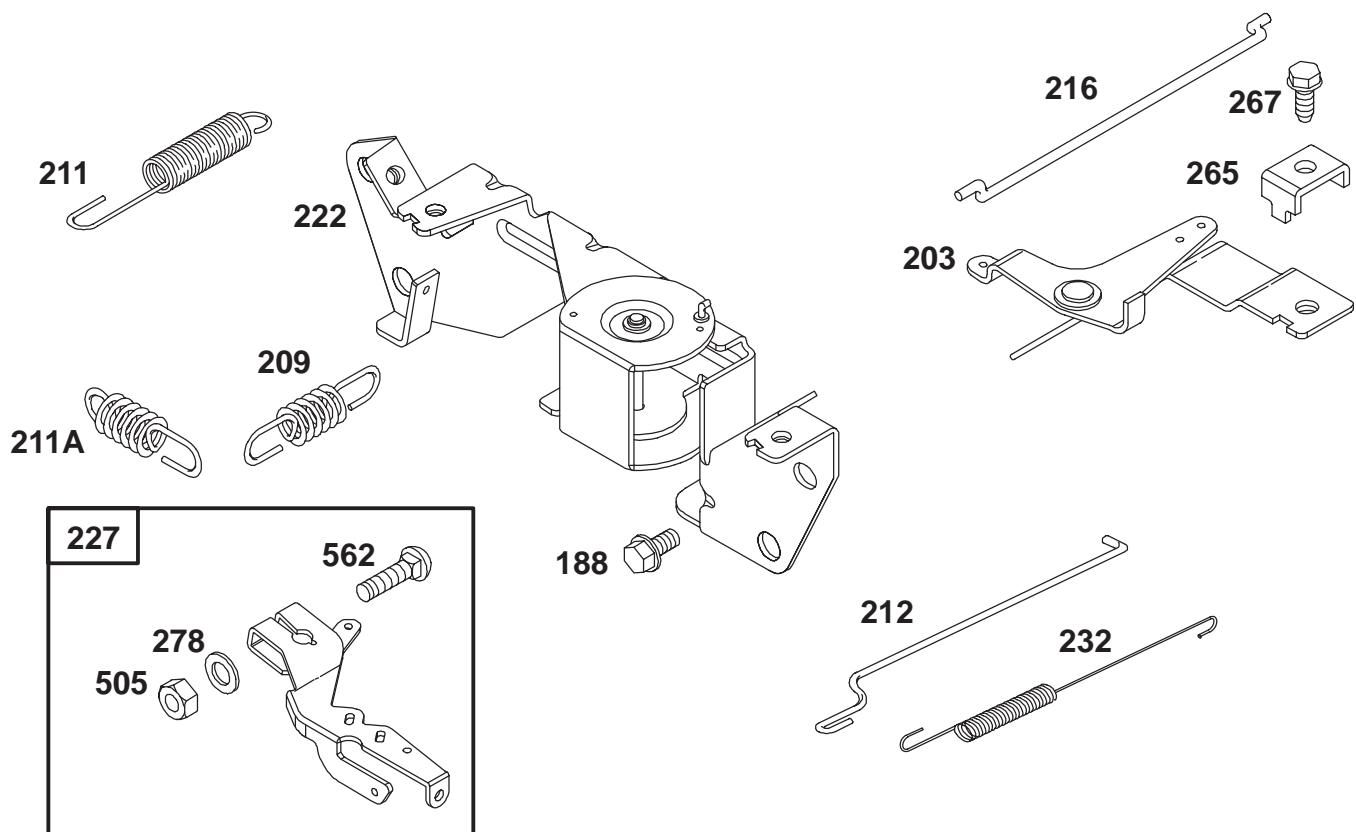
ΔIncluded in Valve Gasket Set – Part No. 808392.



Blower Housing Assembly Engine Briggs and Stratton 303447-1180-E1

Ref. No.	Part No.	Qty.	Description
197	692539	1	Screw (Back Plate)
304	808408	1	Blower Housing
305	692539	1	Screw (Blower Housing)
305A	805025	1	Screw (Blower Housing)
308	691576	1	Cylinder Head Cover (Cylinder #1)
308A	691563	1	Cylinder Head Cover (Cylinder #2)
322	692539	1	Screw (Cylinder Head Cover)
322A	805448	1	Screw (Cylinder Head Cover)
349	690238	1	Nut (Cylinder Head Cover)
447	692539	1	Screw (Air Guide Cover)
506	690617	1	Screw (Carburetor Cover)
573	807663	1	Back Plate
638	690706	1	Washer (Cylinder Head Cover)

Ref. No.	Part No.	Qty.	Description
638A	691551	1	Washer (Cylinder Head Cover)
727	690714	1	Starter Drive Cover
732	692539	1	Screw (Starter Drive Cover)
732A	690688	1	Screw (Starter Drive Cover)
865	690901	1	Air Guide Cover
865A	690750	1	Air Guide Cover
879	690757	1	Carburetor Cover
1036	806687	1	Emissions Label
1046	805753	1	Blower Housing Plug

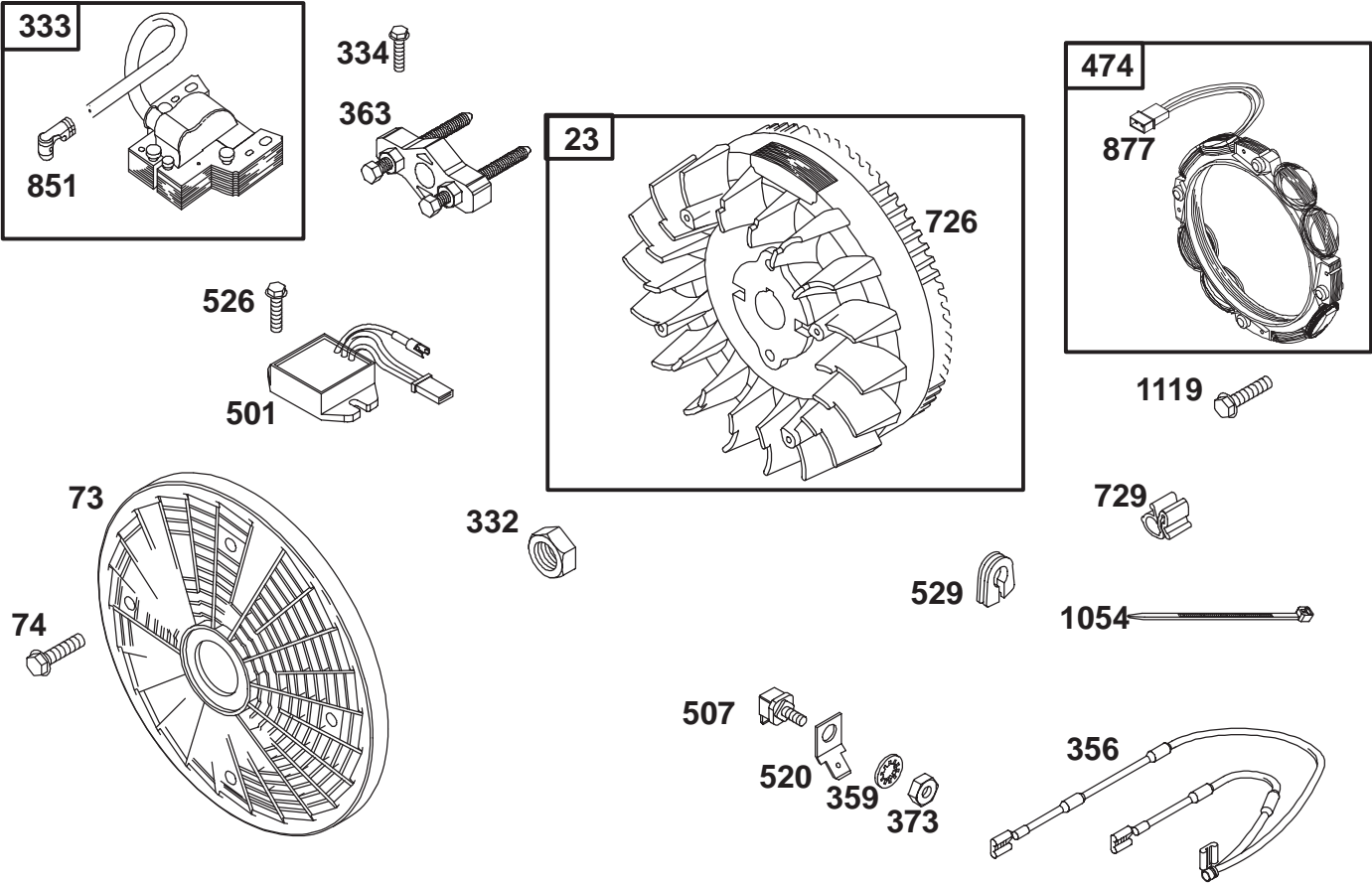


Assemblies include all parts shown in frames.

Governor Assembly Engine Briggs and Stratton 303447-1180-E1

Ref. No.	Part No.	Qty.	Description
188	805025	1	Screw (Control Bracket)
203	690923	1	Bell Crank
209	691508	1	Governor Spring
211	805450	1	Governed Idle Spring
211A	805453	1	Governed Idle Spring
212	690712	1	Throttle Link
216	690705	1	Choke Link
222	808454	1	Control Bracket
227	690236	1	Governor Control Lever
232	805465	1	Governor Link Spring
265	221535	1	Casing Clamp
267	805762	1	Screw (Casing Clamp)
278	690237	1	Washer (Governor Control Lever)
505	690238	1	Nut (Governor Control Lever)
562	690239	1	Bolt (Governor Control Lever)

Ref. No.	Part No.	Qty.	Description

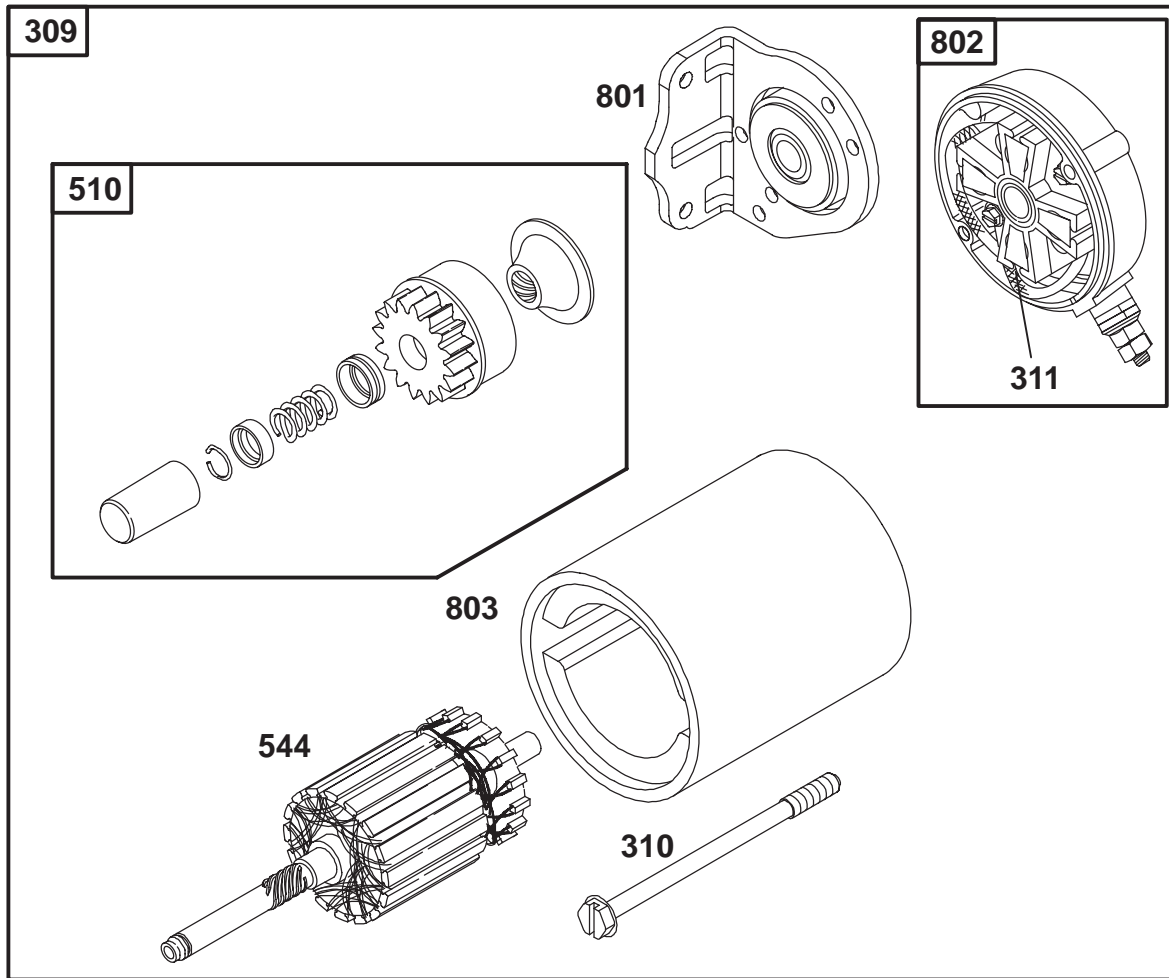


Assemblies include all parts shown in frames.

Flywheel Assembly Engine Briggs and Stratton 303447-1180-E1

Ref. No.	Part No.	Qty.	Description
23	690919	1	Flywheel
73	494439	1	Rotating Screen
74	805447	1	Screw (Rotating Screen)
332	690887	1	Nut (Flywheel)
333	49234	1	Magneto Armature
334	805407	1	Screw (Magneto Armature)
356	493792	1	Stop Wire
359	691077	1	Washer (Ground Terminal)
363	19203	1	Flywheel Puller
373	90576	1	Nut (Ground Terminal)
474	393295	1	Alternator
501	394890	1	Regulator
507	398525	1	Insulator
520	691084	1	Ground Terminal
526	805448	1	Screw (Regulator)
529	690744	1	Grommet
726	808162	1	Ring Gear (Includes Mounting Hardware).

Ref. No.	Part No.	Qty.	Description
729	690586	1	Wire Clip
851	493880	1	Spark Plug Terminal
877	393537	1	Alternator Connector/Wire
1054	280275	1	Cable Tie
1119	805407	12	Screw (Alternator)



Starter Assembly Engine Briggs and Stratton 303447-1180-E1

Ref. No.	Part No.	Qty.	Description
309	691564	1	Starter Motor
310	496880	1	Bolt (Starter Motor)
311	496887	1	Brush Set
510	496881	1	Starter Drive
544	690855	1	Starter Armature
697	805247	1	Screw (Drive Cap)
801	496814	1	Drive Cap
802	496813	1	End Cap
803	690854	1	Starter Housing

Ref. No.	Part No.	Qty.	Description

