



Super Recycler[®]

Walk Power Lawn Mower

Model No. 20033—220000001 and Up

Parts Catalog

Ordering Replacement Parts

To order replacement parts, please supply: the part number, the quantity, and the description of each part desired.

Understanding Reference Numbers

Each identified part in an illustration has a reference number. The reference number for a part also appears in the parts list, along with other information about the part.

This catalog uses two special reference number formats, one to indicate parts in a service assembly and another to indicate the quantity of a given part in an illustration.

Service Assembly Reference Numbers

Parts in service assemblies have reference numbers in the form **a:b**. The **a** represents the reference number of the entire service assembly and the **b** represents a sequential number unique to each part within the service assembly.

For example, a wheel assembly might be identified by reference number **6**, the tire by **6:1**, the valve by **6:2**, and the wheel by **6:3**. When you order the assembly identified by reference number **6**, you receive all parts identified by reference numbers **6:1**, **6:2**, and **6:3**. However, you may also order any part individually.

Reference numbers of this type appear in illustrations and in part lists.

Reference Numbers Indicating Quantity

In an illustration, if a reference number indicates more than one part, the reference number has the form **nX y**. The **n** represents the quantity of the part, the **X** is the multiplication symbol, and the **y** represents the reference number.

For example, in an illustration, the reference number **2X 37** means that two of the parts identified by reference number **37** are indicated.

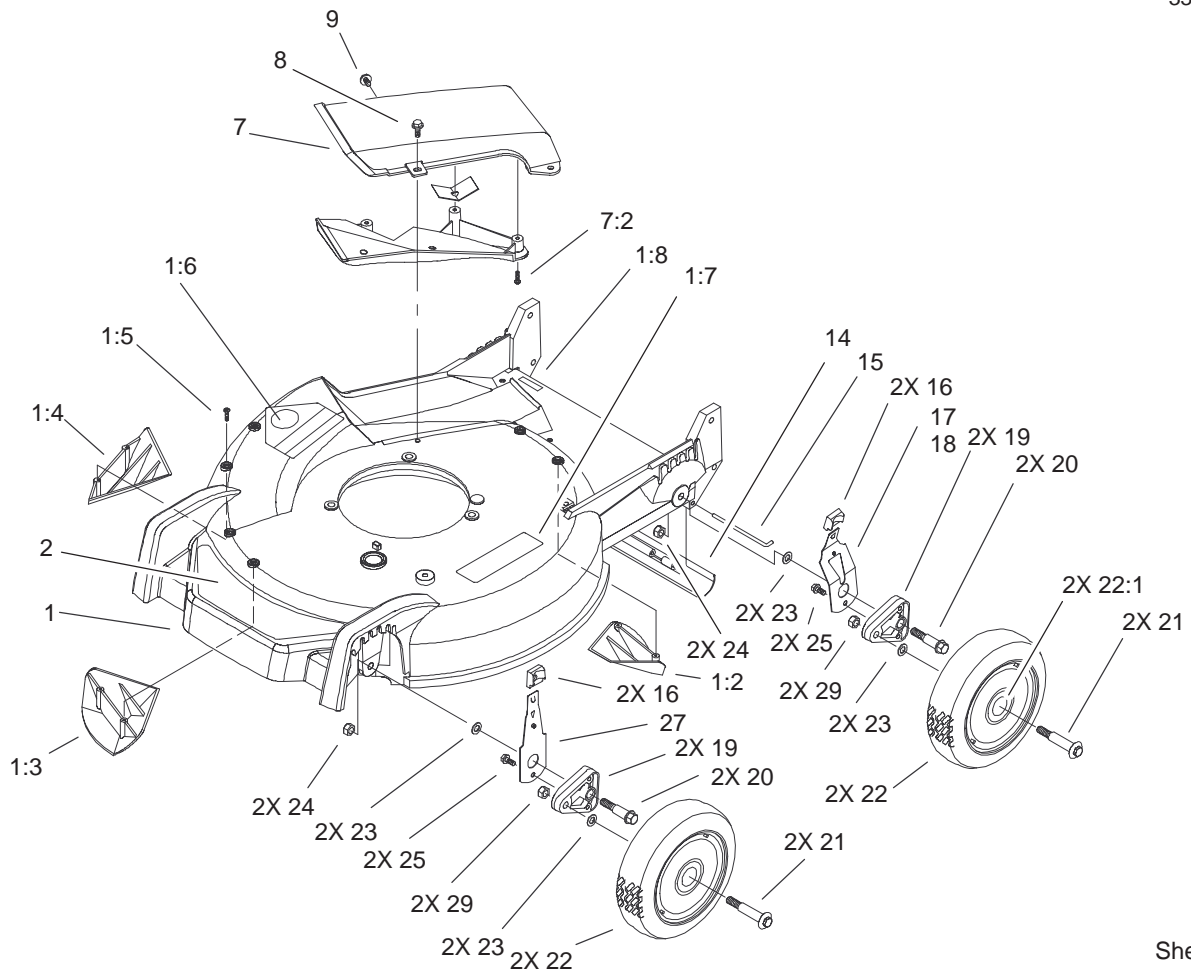
Contents

Description	Page	Description	Page
Housing, Handle Bracket and Wheel Assembly . . .	3	124K02-0110-B1	16
Engine and Blade Assembly	4	Cylinder Assembly	
Handle and Control Assembly	5	Engine Briggs and Stratton Model	
Cylinder Assembly		123K02-0114-E1	17
Engine Briggs and Stratton Model		Crankshaft Assembly	
124K02-0110-B1	6	Engine Briggs and Stratton Model	
Crankshaft Assembly		123K02-0114-E1	18
Engine Briggs and Stratton Model		Crankcase Assembly	
124K02-0110-B1	7	Engine Briggs and Stratton Model	
Crankcase Assembly		123K02-0114-E1	19
Engine Briggs and Stratton Model		Carburetor Assembly	
124K02-0110-B1	8	Engine Briggs and Stratton Model	
Carburetor Assembly		123K02-0114-E1	20
Engine Briggs and Stratton Model		Air Cleaner Assembly	
124K02-0110-B1	9	Engine Briggs and Stratton Model	
Air Cleaner Assembly		123K02-0114-E1	21
Engine Briggs and Stratton Model		Governor Assembly	
124K02-0110-B1	10	Engine Briggs and Stratton Model	
Governor Assembly		123K02-0114-E1	22
Engine Briggs and Stratton Model		Muffler and Fuel Tank Assembly	
124K02-0110-B1	11	Engine Briggs and Stratton Model	
Muffler and Fuel Tank Assembly		123K02-0114-E1	23
Engine Briggs and Stratton Model		Blower Housing Assembly	
124K02-0110-B1	12	Engine Briggs and Stratton Model	
Blower Housing Assembly		123K02-0114-E1	24
Engine Briggs and Stratton Model		Starter Assembly	
124K02-0110-B1	13	Engine Briggs and Stratton Model	
Starter Assembly		123K02-0114-E1	25
Engine Briggs and Stratton Model		Gasket Assembly	
124K02-0110-B1	14	Engine Briggs and Stratton Model	
Gasket Assembly		123K02-0114-E1	26
Engine Briggs and Stratton Model		Carburetor Overhaul Kit Assembly	
124K02-0110-B1	15	Engine Briggs and Stratton Model	
Carburetor Overhaul Kit Assembly		123K02-0114-E1	27
Engine Briggs and Stratton Model			

Part Description Abbreviations

Part descriptions in this catalog may include the following abbreviations.

Abbreviation	Meaning	Abbreviation	Meaning
AR	as required	HYD	hydraulic
ASM	assembly	INC	incorporated
CARR	carriage	LH	left hand
DEG	degrees	NI	nylon insert
FH	flat head	PPH	Phillips pan head
GA	gauge	PTH	Phillips truss head
HF	hex flange	PTO	power take off
HH	hex head	RH	right hand
HHF	hex head flange	SFH	slotted fillister head
HLH	hex lag head	SHH	slotted hex head
HJ	hex jam	SQH	square head
HOC	height-of-cut	SHWH	slotted hex washer head
HS	hex socket	SPH	slotted pan head
HSBH	hex socket button head	SRH	slotted round head
HSFH	hex socket flat head	STD	standard
HSH	hex socket head	TAP	self tapping
HWH	hex washer head	TTH	Torx truss head
HWHTF	hex washer head thread forming	WH	wing head



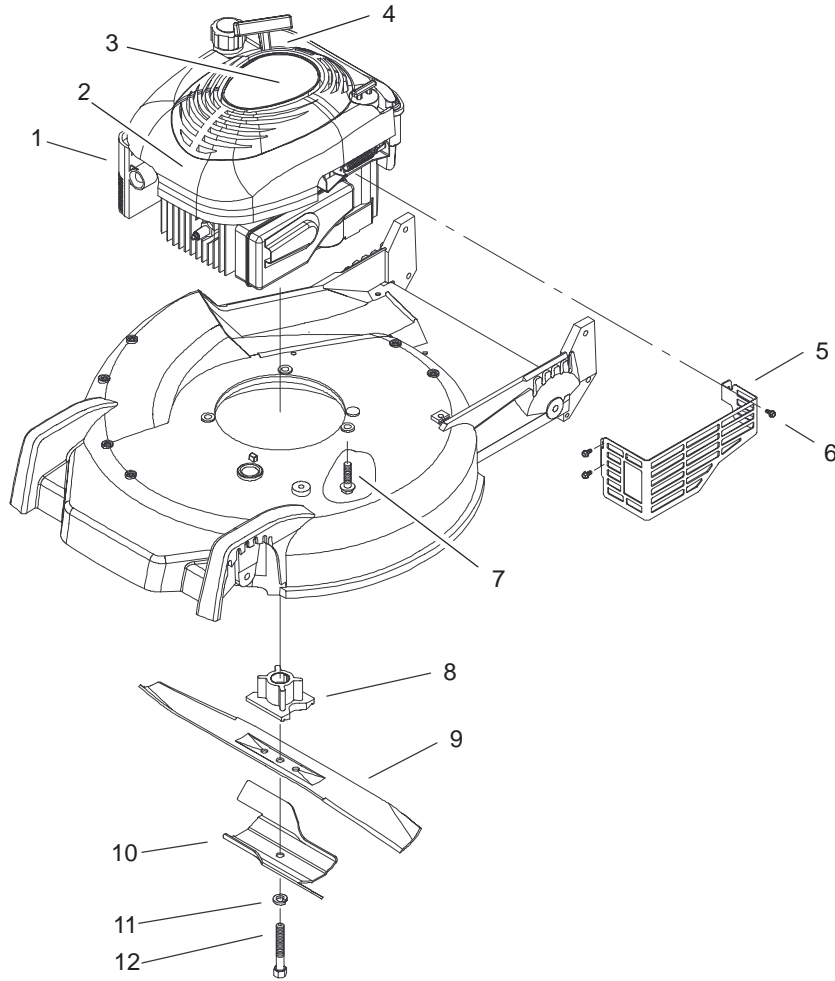
Sheet No.:2

Housing, Handle Bracket and Wheel Assembly

Ref. No.	Part No.	Qty.	Description
1	99-1704	1	Housing ASM
1:2	92-1660	1	Kicker-Rear
1:3	92-1720	1	Kicker-Front
1:4	92-1730	1	Kicker-RH
1:5	32144-111	6	Screw-PPH
1:6	43-8480	1	Decal-Danger
1:7	93-0248	1	Decal - Warning
1:8	99-6018	1	Decal - Warning
2	99-6010	1	Decal - Deck
7	100-8775	1	Recycler Cover ASM
7:2	32144-111	5	Screw-PPH
8	46-6811	3	Screw-HWH
9	46-6810	1	Screw & Washer ASM
14	44-0580	1	Shield-Trailing
15	33-3208	1	Rod-Shield
16	25-7740	4	Knob-Arm
17	71-0571	1	LH Spring Arm ASM
*18	71-0561	1	RH Spring Arm ASM
19	66-0580	4	Arm-Pivot, Front
20	66-0560	4	Bolt-Shoulder
21	92-1057	4	Bolt-Shoulder
22	98-7130	4	Wheel ASM
22:1	27-6250	2	Bushing
23	40-1940	8	Washer
24	3296-6	4	Nut-Lock, NI
25	32144-85	4	Screw-HH

Ref. No.	Part No.	Qty.	Description
27	66-0541	2	Front Spring Arm ASM
29	603773	4	Nut

* Not illustrated



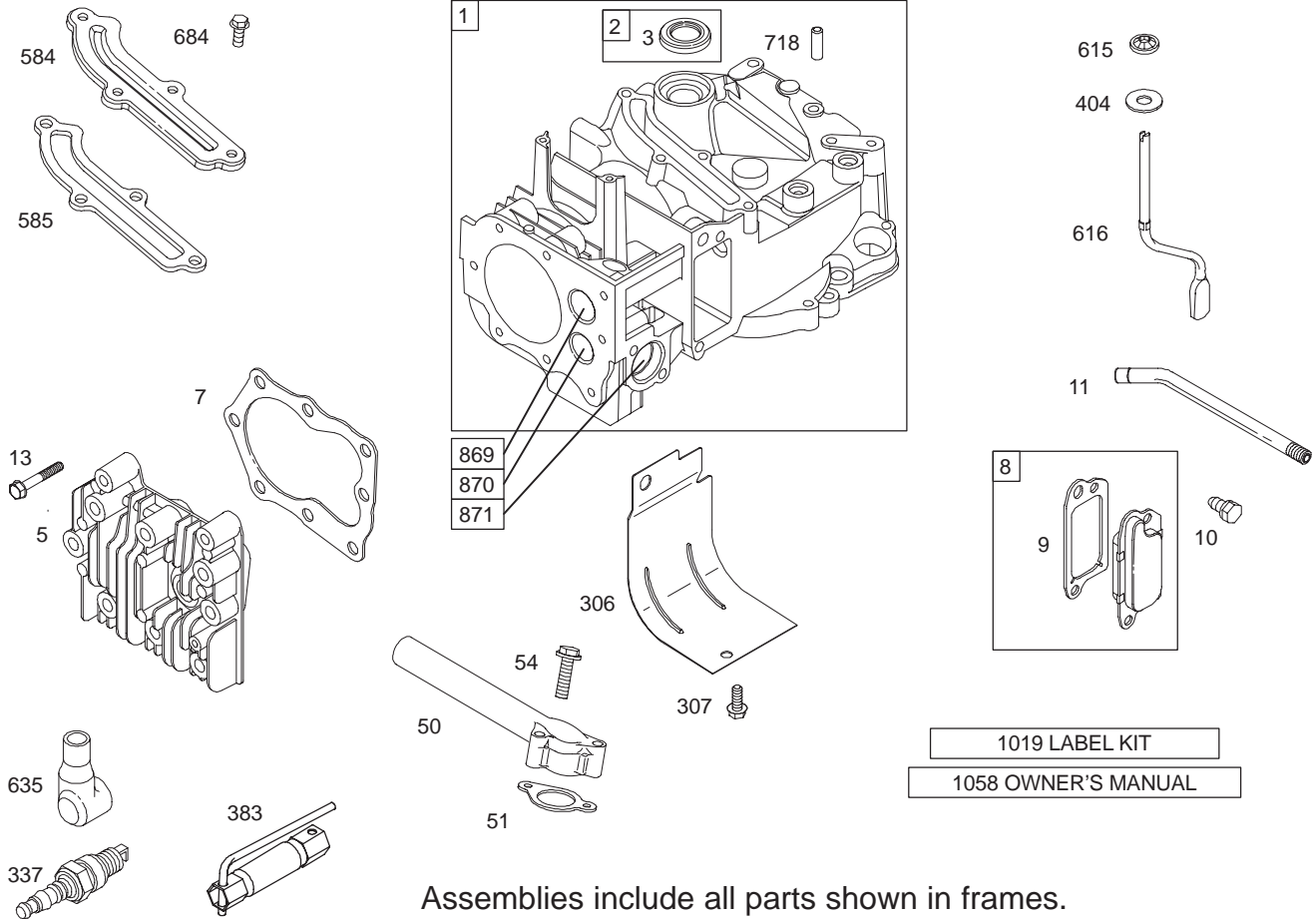
Sheet No.:3

Engine and Blade Assembly

Ref. No.	Part No.	Qty.	Description
☆1		1	Engine—Quantum 6.5 Briggs & Stratton Model 124k02-0110-B1 Or
☆1		1	Engine—Quantum 6.5 Briggs & Stratton Model 123k02-0114-E1
2	98-3206	1	Decal—Toro Logo
3	105-8570	1	Decal—Recoil
4	2210-316	1	Stop—Rope
5	104-7577-03	1	Shield—Muffler
6	32144-1	3	Screw—Taptite
7	32144-102	3	Screw—HWH
8	104-1007	1	Retainer—Blade
9	93-4106-03	1	Blade—Recycler
10	94-1608-03	1	Accelerator—Blade
11	3253-22	1	Washer—Lock
12	95-1748	1	Screw—Blade

Ref. No.	Part No.	Qty.	Description

☆ Not serviced separately



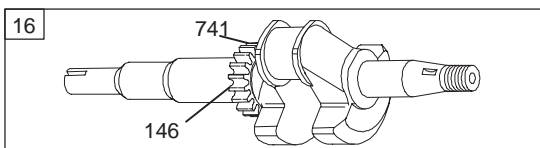
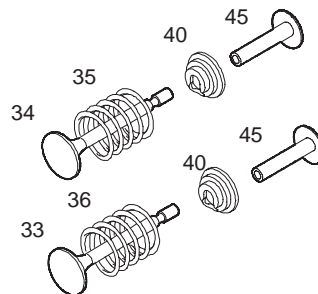
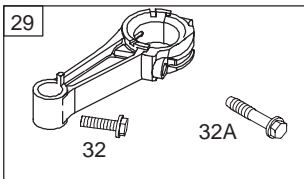
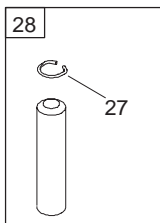
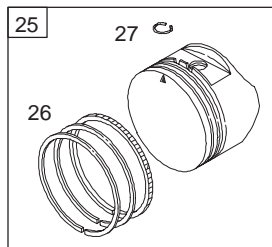
Assemblies include all parts shown in frames.

Cylinder Assembly Engine Briggs and Stratton Model 124K02-0110-B1

Ref. No.	Part No.	Qty.	Description
1	697322	1	Cylinder Assembly
2	399269	1	Kit-Bushing/Seal
★3	299819	1	Seal-Oil (Magneto Side)
5	691160	1	Head-Cylinder
★7	692249	1	Gasket-Cylinder Head
8	695250	1	Breather Assembly
9	696125	1	Gasket-Breather
10	691125	1	Screw (Breather Assembly)
11	691781	1	Tube-Breather
13	690912	1	Screw (Cylinder Head)
50	497465	1	Manifold-Intake
★51	272199	1	Gasket-Intake
54	691650	1	Screw (Intake Manifold)
306	690450	1	Cylinder Shield
307	690345	1	Screw (Cylinder Shield)
337	802592	1	Plug-Spark
383	89838	1	Wrench-Sparkplug
404	690272	1	Washer (Governor Crank)

Ref. No.	Part No.	Qty.	Description
584	692342	1	Cover-Breather Passage
★585	691879	1	Gasket-Breather Passage
615	690340	1	Retainer-Governor Shaft
616	691308	1	Crank-Governor
635	66538	1	Boot-Spark Plug
684	690345	1	Screw (Breather Passage Cover)
718	690959	1	Pin-Locating
869	691155	1	Seat-Valve (Intake)
870	690380	1	Seat-Valve (Exhaust)
871	262001	1	Bushing-Guide (Exhaust)
	63709	1	Bushing-Guide (Intake)
1019	494256	1	Kit-Label
1058	274978	1	Owner's Manual

★ Included in Engine Gasket Set-Ref. 358.

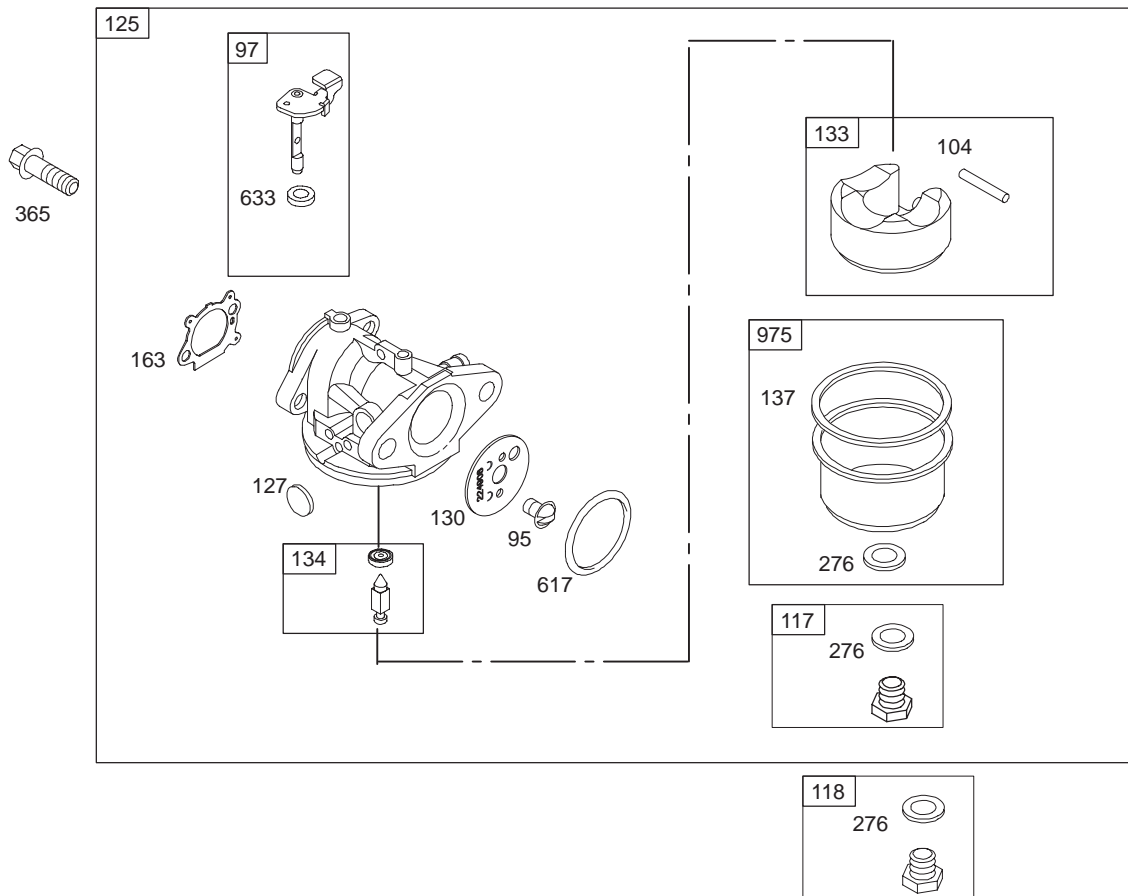


Assemblies include all parts shown in frames.

Crankshaft Assembly Engine Briggs and Stratton Model 124K02-0110-B1

Ref. No.	Part No.	Qty.	Description
16	696009	1	Crankshaft
24	222698	1	Flywheel Key
25	697339	1	Piston Assembly (Standard)
	697340	1	Piston Assembly (.010" Oversize)
	697341	1	Piston Assembly (.020" Oversize)
	697342	1	Piston Assembly (.030" Oversize)
26	499425	1	Ring Set (Standard)
	499426	1	Ring Set (.010" Oversize)
	499427	1	Ring Set (.020" Oversize)
	499428	1	Ring Set (.030" Oversize)
27	691866	1	Piston Pin Lock
28	499423	1	Piston Pin (Standard)
	298908	1	Piston Pin (.005" Undersize)
29	499424	1	Connecting Rod (Standard)

Ref. No.	Part No.	Qty.	Description
32	691664	1	Screw (Connecting Rod)
32A	695759	1	Screw (Connecting Rod)
33	262651	1	Exhaust Valve
34	262652	1	Intake Valve
35	691270	1	Valve Spring (Intake)
36	691270	1	Valve Spring (Exhaust)
40	692194	1	Valve Retainer
45	690548	1	Tappet-Valve
146	690979	1	Key-Timing
741	691830	1	Gear-Timing



Assemblies include all parts shown in frames.

Carburetor Assembly Engine Briggs and Stratton Model 124K02-0110-B1

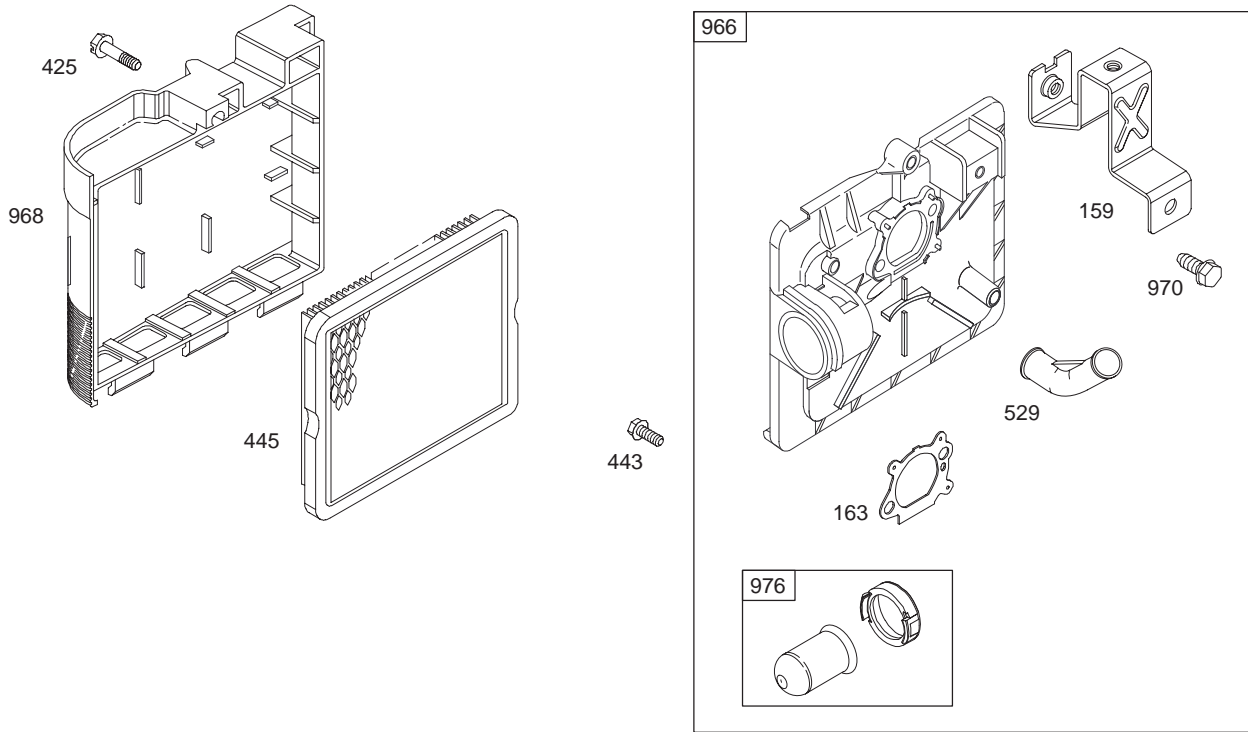
Ref. No.	Part No.	Qty.	Description
95	691636	1	Screw (Throttle Valve)
97	696565	1	Shaft-Throttle
●104	691242	1	Pin-Float Hinge
117	498978	1	Jet-Main (Standard)
118	497466	1	Jet-Main (High Altitude)
125	498170	1	Carburetor
●127	694468	1	Plug-Welch
130	696564	1	Valve-Throttle
133	398187	1	Float-Carburetor
●134	398188	1	Kit-Needle/Seat
●◆137	693981	1	Gasket-Float Bowl
★◆163	272653	1	Gasket-Air Cleaner
●◆276	271716	1	Washer-Sealing
365	692524	1	Screw (Carburetor)
●◆617	270344	1	Seal-O Ring (Intake Manifold)
●◆633	691321	1	Seal-Choke/Throttle Shaft
975	493640	1	Bowl-Float

Ref. No.	Part No.	Qty.	Description

● Included in Carburetor Overhaul Kit-Ref. 121.

★ Included in Engine Gasket Set-Ref. 358.

◆ Included in Carburetor Gasket Set-Ref. 977.



Assemblies include all parts shown in frames.

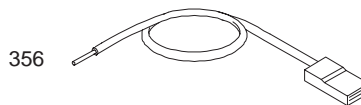
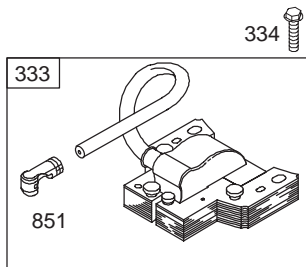
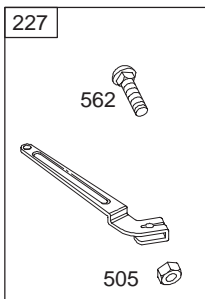
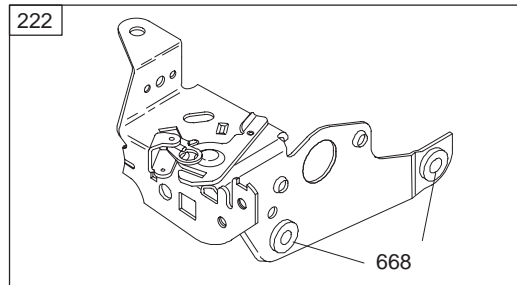
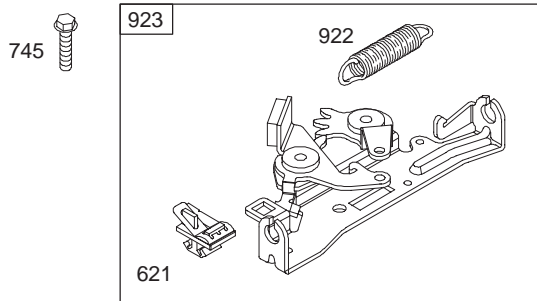
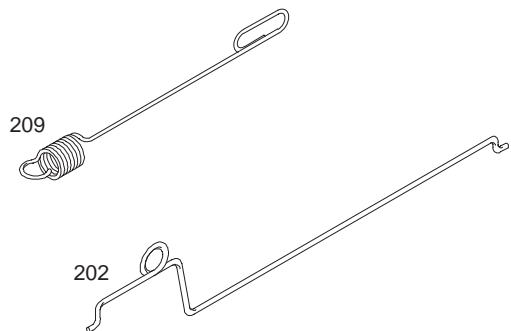
Air Cleaner Assembly Engine Briggs and Stratton Model 124K02-0110-B1

Ref. No.	Part No.	Qty.	Description
159	691753	1	Bracket-Air Cleaner Primer
★◆163	272653	1	Gasket-Air Cleaner
425	690670	1	Screw (Air Cleaner Cover)
443	692523	1	Screw (Air Cleaner Primer Base)
445	491588	1	Filter-Air Cleaner Cartridge
529	691923	1	Grommet
966	496116	1	Base-Air Cleaner Primer
968	692298	1	Cover-Air Cleaner
970	691669	1	Screw (Air Cleaner Primer Bracket)
976	694395	1	Primer-Carburetor

Ref. No.	Part No.	Qty.	Description

★ Included in Engine Gasket Set-Ref. 358. ● Included in Carburetor Overhaul Kit-Ref. 121.

◆ Included in Carburetor Gasket Set-Ref. 977.

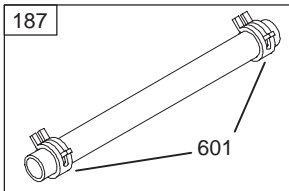
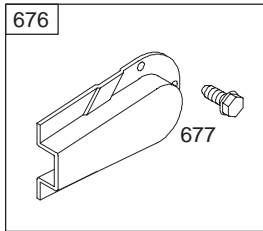
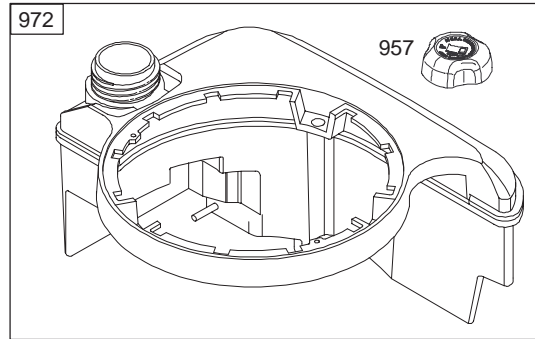
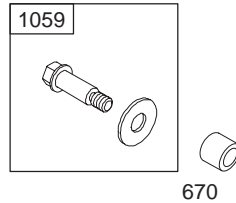
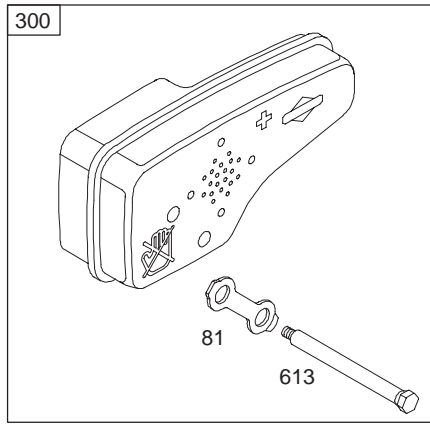


Assemblies include all parts shown in frames.

Governor Assembly Engine Briggs and Stratton Model 124K02-0110-B1

Ref. No.	Part No.	Qty.	Description
188	693399	1	Screw (Control Bracket)
202	691829	1	Link-Mechanical Governor
209	691292	1	Spring-Governor
222	692467	1	Bracket-Control
227	690783	1	Lever-Governor Control
333	802574	1	Armature-Magneto
334	691061	1	Screw (Magneto Armature)
356	692390	1	Wire-Stop
505	231082	1	Nut (Governor Control Lever)
562	92613	1	Bolt (Governor Control Lever)
621	692310	1	Switch-Stop
★668	493823	1	Spacer
745	691648	1	Screw (Brake)
851	493880	1	Terminal-Spark Plug
922	691831	1	Spring-Brake
923	691994	1	Brake

Ref. No.	Part No.	Qty.	Description

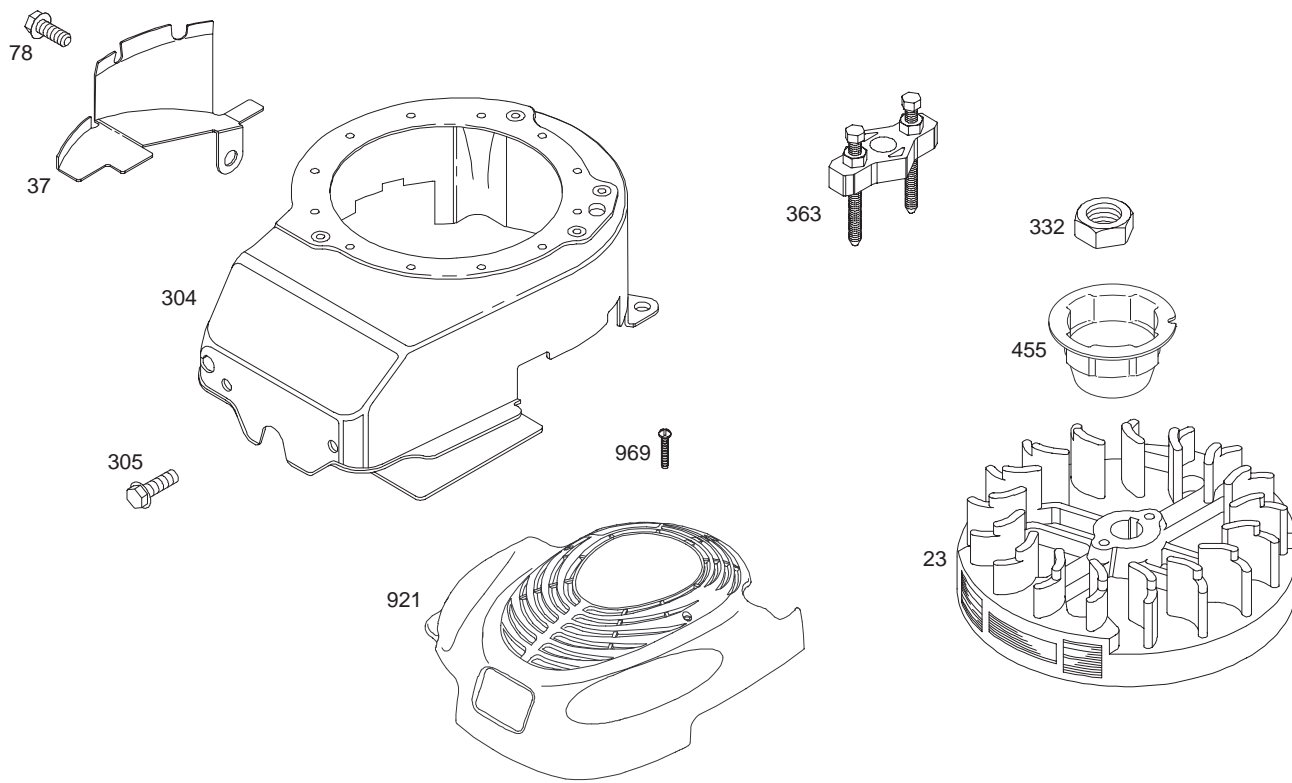


Assemblies include all parts shown in frames.

Muffler and Fuel Tank Assembly Engine Briggs and Stratton Model 124K02-0110-B1

Ref. No.	Part No.	Qty.	Description
81	691740	1	Lock-Muffler Screw
187	691050	1	Line-Fuel (Cut to Required Length)
190	690940	1	Screw (Fuel Tank)
300	692038	1	Muffler
601	95162	1	Clamp-Hose
613	691340	1	Screw (Muffler)
670	692294	1	Spacer-Fuel Tank
676	493871	1	Deflector-Muffler
677	690661	1	Screw (Muffler Deflector)
957	692046	1	Cap-Fuel Tank
972	499618	1	Tank-Fuel
1059	692311	1	Kit-Screw/Washer

Ref. No.	Part No.	Qty.	Description



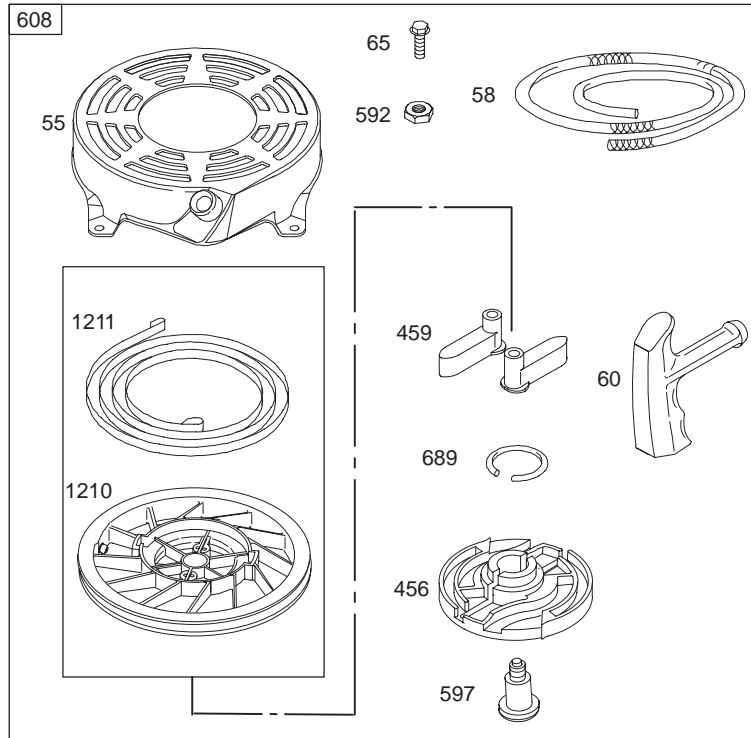
1036 LABEL-EMISSION

Assemblies include all parts shown in frames.

Blower Housing Assembly Engine Briggs and Stratton Model 124K02-0110-B1

Ref. No.	Part No.	Qty.	Description
23	692315	1	Flywheel
37	694086	1	Guard-Flywheel
78	691108	1	Screw (Flywheel Guard)
304	493293	1	Housing-Blower
305	691108	1	Screw (Blower Housing)
332	690662	1	Nut (Flywheel)
363	19069	1	Puller-Flywheel
455	695161	1	Cup-Flywheel
921	697343	1	Cover-Blower Housing
969	690700	1	Screw (Blower Housing Cover)
1036	695111	1	Label-Emission

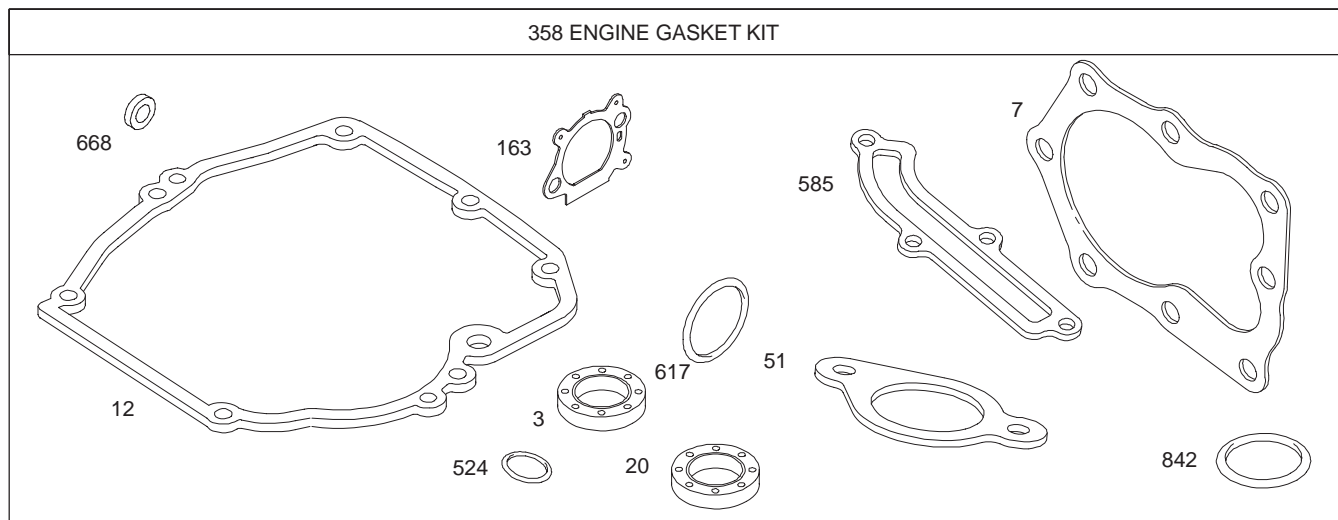
Ref. No.	Part No.	Qty.	Description



Starter Assembly Engine Briggs and Stratton Model 124K02-0110-B1

Ref. No.	Part No.	Qty.	Description
55	691421	1	Housing-Rewind Starter
58	697316	1	Rope-Starter (Cut to Required Length)
60	281434	1	Grip-Starter Rope
65	690837	1	Screw (Rewind Starter)
456	692299	1	Plate-Pawl Friction
459	281505	1	Ratchet-Pawl
592	690800	1	Nut (Rewind Starter)
597	691696	1	Screw (Pawl Friction Plate)
608	497680	1	Starter-Rewind
689	691855	1	Spring-Friction
1210	498144	1	Pulley/Spring Assembly (Pulley)
1211	498144	1	Pulley/Spring Assembly (Spring)

Ref. No.	Part No.	Qty.	Description



Assemblies include all parts shown in frames.

Gasket Assembly Engine Briggs and Stratton Model 124K02-0110-B1

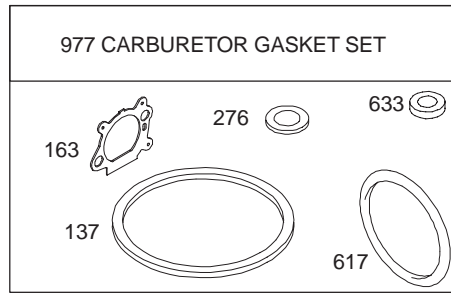
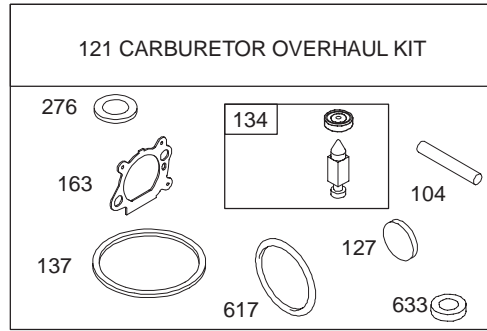
Ref. No.	Part No.	Qty.	Description
★3	299819	1	Seal-Oil (Magneto Side)
★7	692249	1	Gasket-Cylinder Head
★12	692232	1	Crankcase Gasket (.015 Thick, Standard)
★20	399781	1	Seal-Oil (PTO Side)
★51	272199	1	Gasket-Intake
★◆163	272653	1	Gasket-Air Cleaner
358	497316	1	Gasket Set-Engine
★524	692296	1	Seal-O Ring (Dipstick Tube)
★585	691879	1	Gasket-Breather Passage
★◆617	270344	1	Seal-O Ring (Intake Manifold)
★668	493823	1	Spacer
★842	691031	1	Seal-O Ring (Dipstick)

Ref. No.	Part No.	Qty.	Description

◆ Included in Carburetor Overhaul Kit-Ref. 121.

★ Included in Engine Gasket Set-Ref. 358.

◆ Included in Carburetor Gasket Set-Ref. 977.



Assemblies include all parts shown in frames.

Carburetor Overhaul Kit Assembly Engine Briggs and Stratton Model 124K02-0110-B1

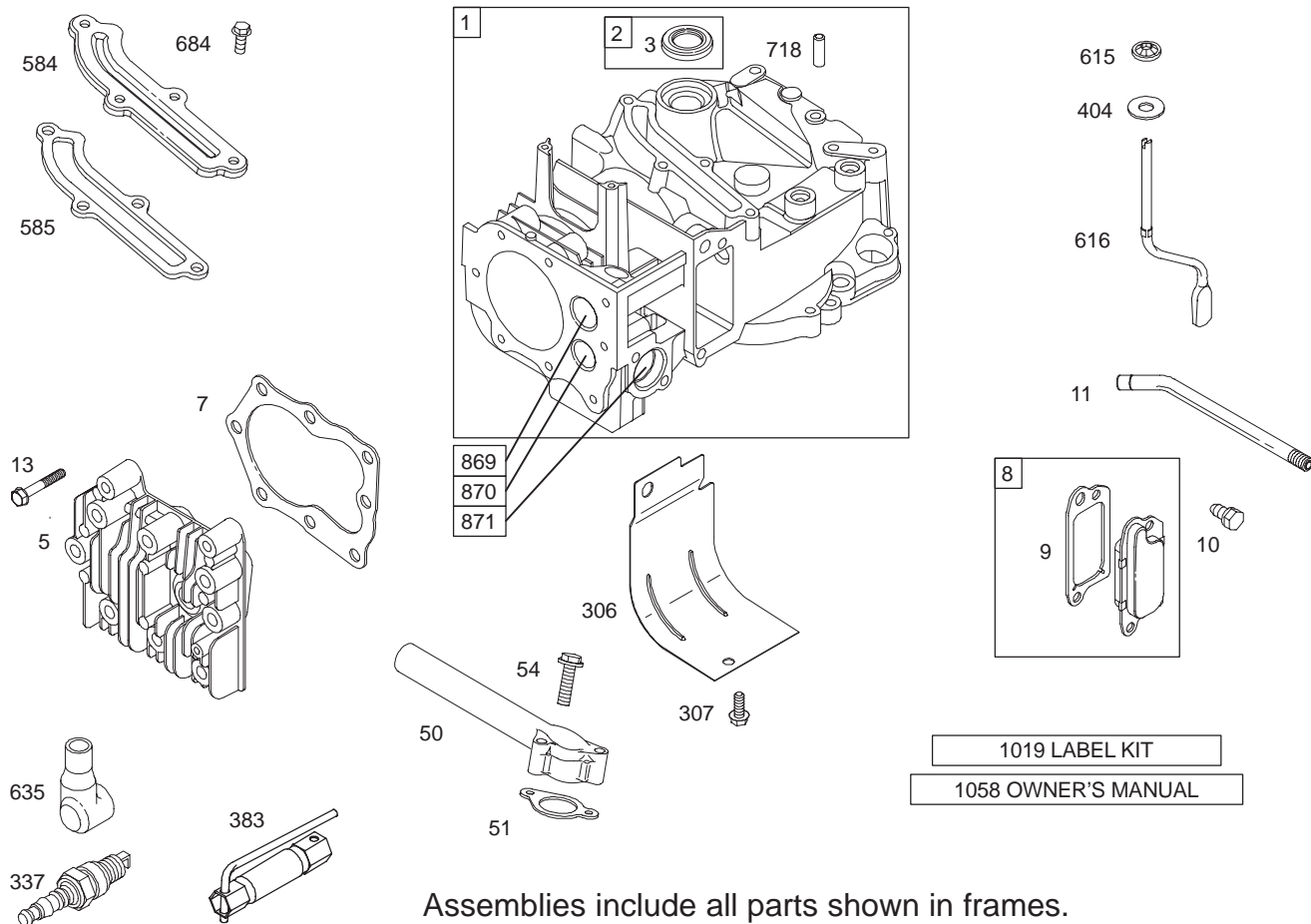
Ref. No.	Part No.	Qty.	Description
●104	691242	1	Pin-Float Hinge
121	498260	1	Kit-Carburetor Overhaul
●127	694468	1	Plug-Welch
●134	398188	1	Kit-Needle/Seat
●◆137	693981	1	Gasket-Float Bowl
★◆163	272653	1	Gasket-Air Cleaner
●◆276	271716	1	Washer-Sealing
★●◆617	270344	1	Seal-O Ring (Intake Manifold)
●◆633	691321	1	Seal-Choke/Throttle Shaft
977	498261	1	Gasket Set-Carburetor

Ref. No.	Part No.	Qty.	Description

● Included in Carburetor Overhaul Kit-Ref. 121.

★ Included in Engine Gasket Set-Ref. 358.

◆ Included in Carburetor Gasket Set-Ref. 977.



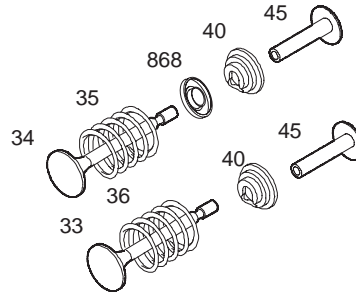
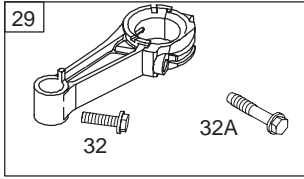
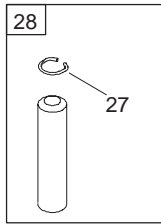
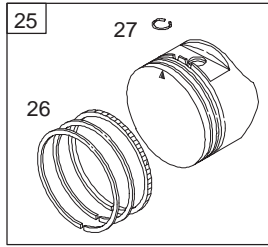
Assemblies include all parts shown in frames.

Cylinder Assembly Engine Briggs and Stratton Model 123K02-0114-E1

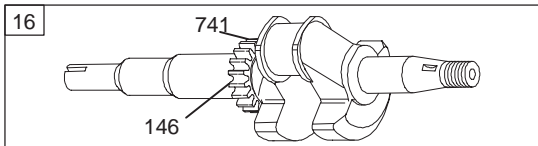
Ref. No.	Part No.	Qty.	Description
1	697322	1	Cylinder Assembly
2	399269	1	Kit-Bushing/Seal
★3	299819	1	Seal-Oil (Magneto Side)
5	691160	1	Head-Cylinder
★7	692249	1	Gasket-Cylinder Head
8	695250	1	Breather Assembly
9	696125	1	Gasket-Breather
10	691125	1	Screw (Breather Assembly)
11	691781	1	Tube-Breather
13	690912	1	Screw (Cylinder Head)
50	497465	1	Manifold-Intake
★51	272199	1	Gasket-Intake
54	691650	1	Screw (Intake Manifold)
306	690450	1	Cylinder Shield
307	690345	1	Screw (Cylinder Shield)
337	802592	1	Plug-Spark
383	89838	1	Wrench-Sparkplug
404	690272	1	Washer (Governor Crank)

Ref. No.	Part No.	Qty.	Description
584	692342	1	Cover-Breather Passage
★585	691879	1	Gasket-Breather Passage
615	690340	1	Retainer-Governor Shaft
616	691308	1	Crank-Governor
635	66538	1	Boot-Spark Plug
684	690345	1	Screw (Breather Passage Cover)
718	690959	1	Pin-Locating
869	691155	1	Seat-Valve (Intake)
870	690380	1	Seat-Valve (Exhaust)
871	262001	1	Bushing-Guide (Exhaust)
	63709	1	Bushing-Guide (Intake)
1019	494256	1	Kit-Label
1058	275177	1	Owner's Manual

★ Included in Engine Gasket Set-Ref. 358.



24 

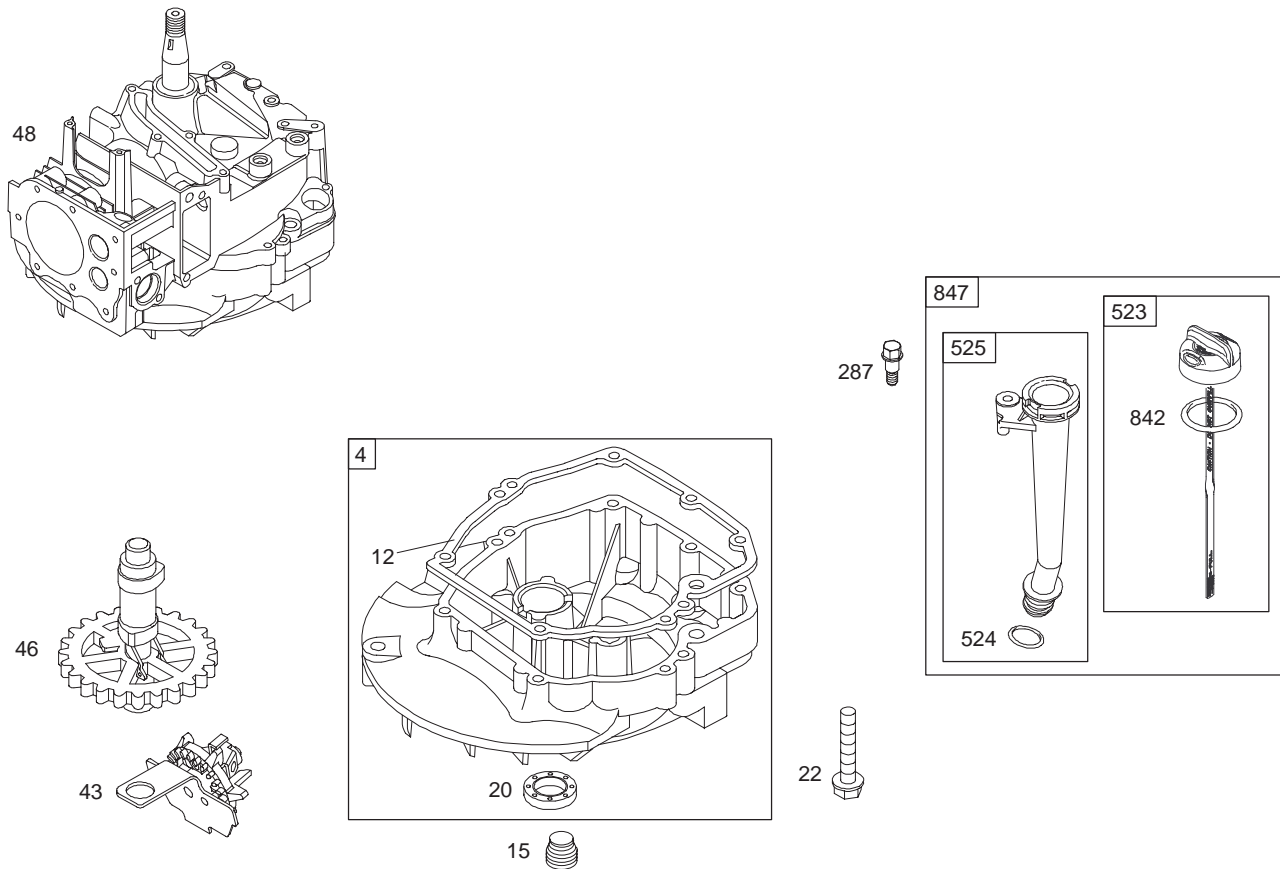


Assemblies include all parts shown in frames.

Crankshaft Assembly Engine Briggs and Stratton Model 123K02-0114-E1

Ref. No.	Part No.	Qty.	Description
16	696009	1	Crankshaft
24	222698	1	Key-Flywheel
25	697339	1	Piston Assembly (Standard)
	697340	1	Piston Assembly (.010" Oversize)
	697341	1	Piston Assembly (.020" Oversize)
	697342	1	Piston Assembly (.030" Oversize)
26	499425	1	Ring Set (Standard)
	499426	1	Ring Set (.010" Oversize)
	499427	1	Ring Set (.020" Oversize)
	499428	1	Ring Set (.030" Oversize)
27	691866	1	Lock-Piston Pin
28	499423	1	Piston Pin (Standard)
	298908	1	Piston Pin (.005" Undersize)
29	499424	1	Connecting Rod (Standard)

Ref. No.	Part No.	Qty.	Description
32	691664	1	Screw (Connecting Rod)
32A	695759	1	Screw (Connecting Rod)
33	262651	1	Valve-Exhaust
34	262652	1	Valve-Intake
35	691270	1	Spring-Valve (Intake)
36	691270	1	Spring-Valve (Exhaust)
40	692194	1	Retainer-Valve
45	690548	1	Tappet-Valve
146	690979	1	Key-Timing
741	691830	1	Gear-Timing
868	697338	1	Seal-Valve



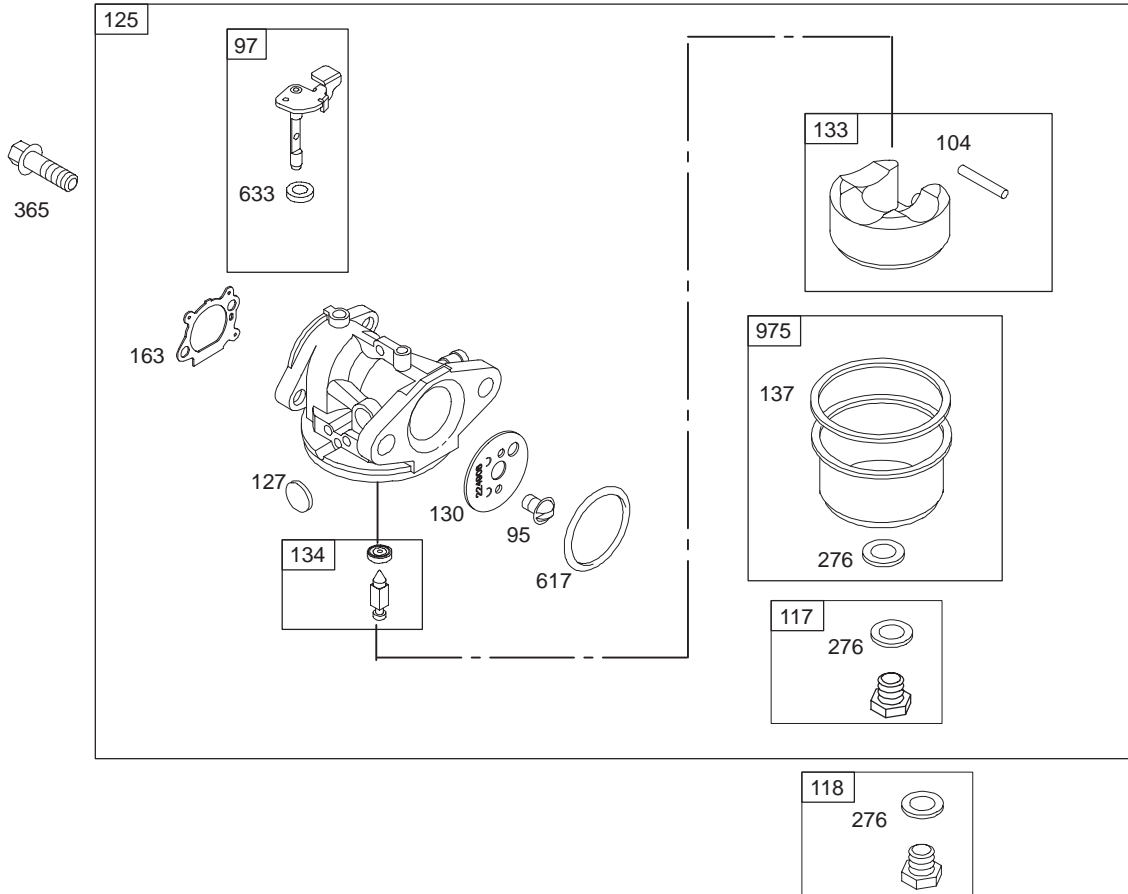
Assemblies include all parts shown in frames.

Crankcase Assembly Engine Briggs and Stratton Model 123K02-0114-E1

Ref. No.	Part No.	Qty.	Description
4	493279	1	Sump-Engine
★12	692232	1	Gasket-Crankcase (.015 Thick, Std.)
15	691680	1	Plug-Oil Drain
★20	399781	1	Seal-Oil
22	691092	1	Screw (Engine Sump)
43	691997	1	Slinger-Governor/Oil
46	691449	1	Camshaft
48	696276	1	Short Block
287	690940	1	Screw (Dipstick Tube)
523	499621	1	Dipstick
★524	692296	1	Dipstick Tube Seal
525	495265	1	Dipstick Tube
★842	691031	1	O-Ring Seal (Dipstick Tube)
847	692047	1	Dipstick/ Tube Assembly

Ref. No.	Part No.	Qty.	Description

★ Included in Engine Gasket Set-Ref. 358.



Assemblies include all parts shown in frames.

Carburetor Assembly Engine Briggs and Stratton Model 123K02-0114-E1

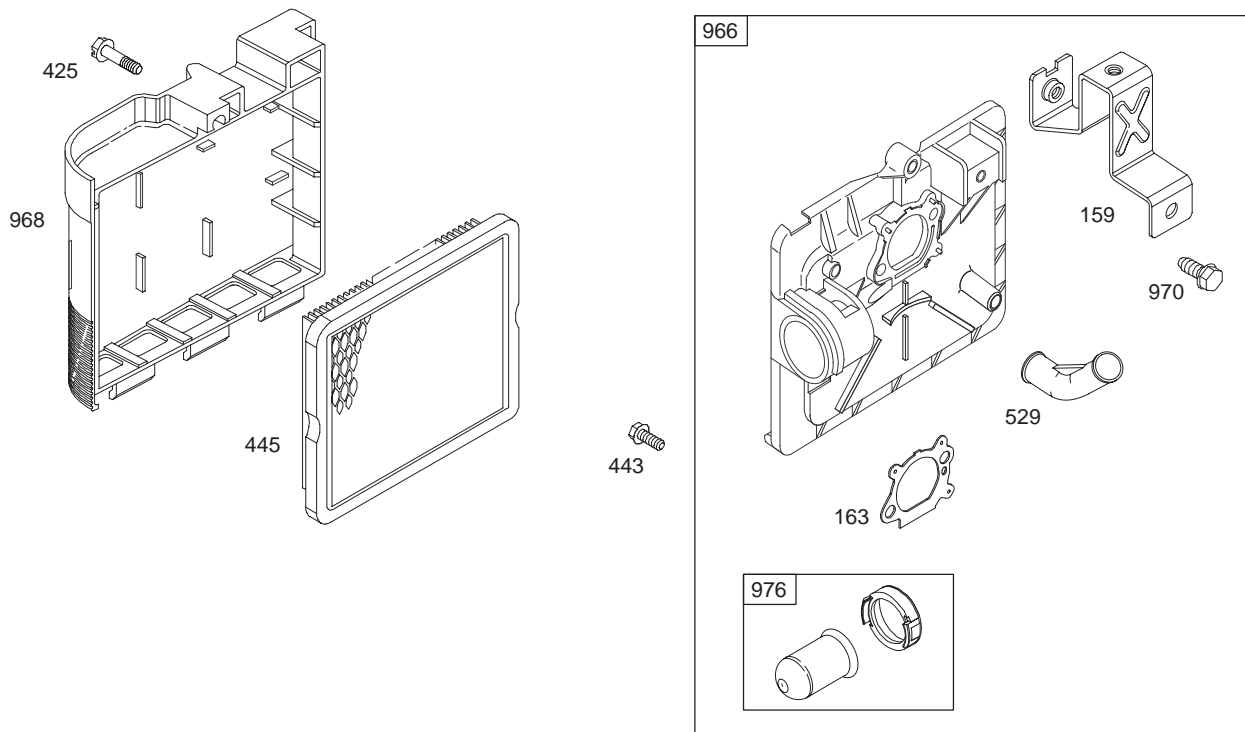
Ref. No.	Part No.	Qty.	Description
95	691636	1	Screw (Throttle Valve)
97	696565	1	Shaft-Throttle
●104	691242	1	Pin-Float Hinge
117	498978	1	Jet-Main (Standard)
118	497466	1	Jet-Main (High Altitude)
125	498170	1	Carburetor
●127	694468	1	Plug-Welch
130	696564	1	Valve-Throttle
133	398187	1	Float-Carburetor
●134	398188	1	Kit-Needle/Seat
●◆137	693981	1	Gasket-Float Bowl
★◆163	272653	1	Gasket-Air Cleaner
●◆276	271716	1	Washer-Sealing
365	692524	1	Screw (Carburetor)
●◆617	270344	1	Seal-O Ring (Intake Manifold)
●◆633	691321	1	Seal-Choke/Throttle Shaft
975	493640	1	Bowl-Float

Ref. No.	Part No.	Qty.	Description

● Included in Carburetor Overhaul Kit-Ref. 121.

★ Included in Engine Gasket Set-Ref. 358.

◆ Included in Carburetor Gasket Set-Ref. 977.



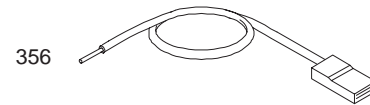
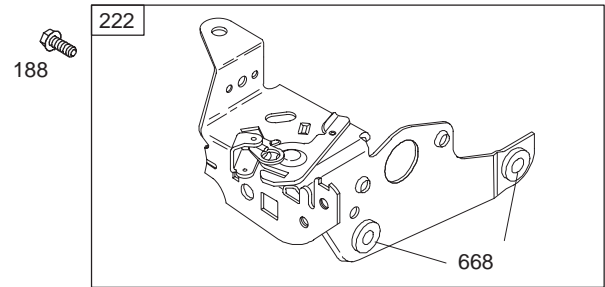
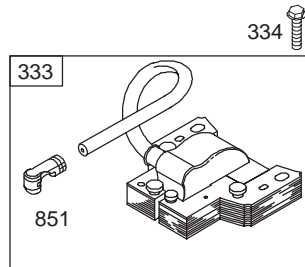
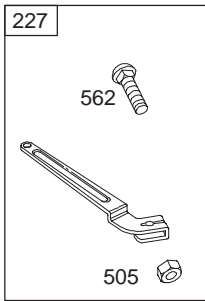
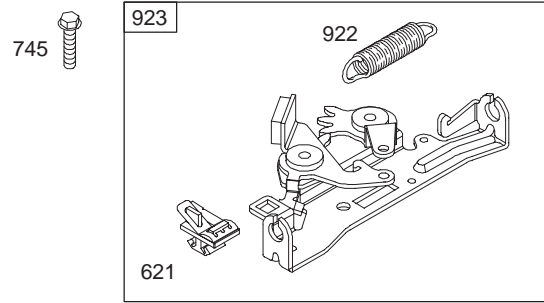
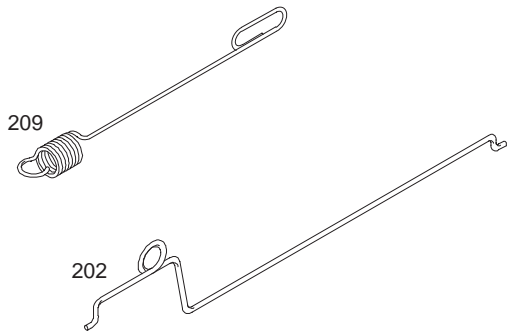
Assemblies include all parts shown in frames.

Air Cleaner Assembly Engine Briggs and Stratton Model 123K02-0114-E1

Ref. No.	Part No.	Qty.	Description
159	691753	1	Bracket-Air Cleaner Primer
★◆163	272653	1	Gasket-Air Cleaner
425	690670	1	Screw (Air Cleaner Cover)
443	692523	1	Screw (Air Cleaner Primer Base)
445	491588	1	Filter-Air Cleaner Cartridge
529	691923	1	Grommet
966	496116	1	Base-Air Cleaner Primer
968	692298	1	Cover-Air Cleaner
970	691669	1	Screw (Air Cleaner Primer Bracket)
976	694395	1	Primer-Carburetor

Ref. No.	Part No.	Qty.	Description

★ Included in Engine Gasket Set-Ref. 358. ● Included in Carburetor Overhaul Kit-Ref. 121.
◆ Included in Carburetor Gasket Set-Ref. 977.

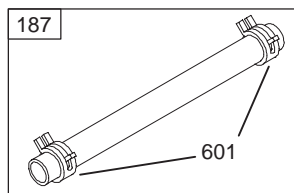
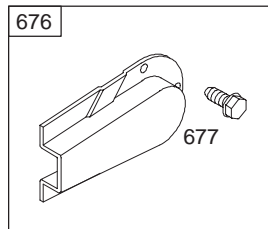
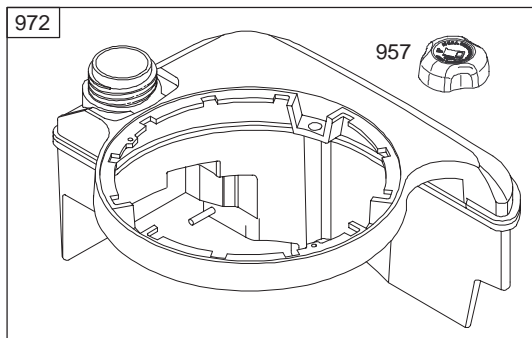
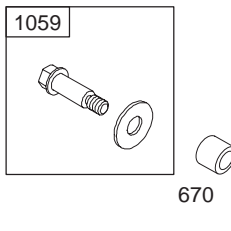
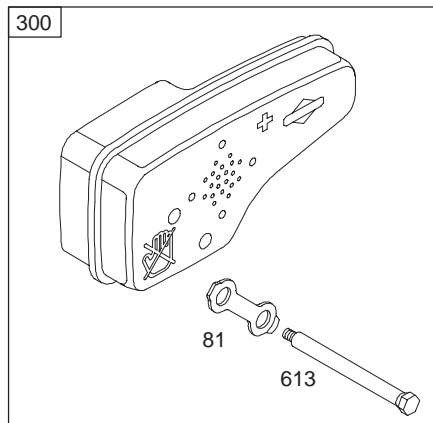


Assemblies include all parts shown in frames.

Governor Assembly Engine Briggs and Stratton Model 123K02-0114-E1

Ref. No.	Part No.	Qty.	Description
188	693399	1	Screw (Control Bracket)
202	691829	1	Link-Mechanical Governor
209	691292	1	Spring-Governor
222	692467	1	Bracket-Control
227	690783	1	Lever-Governor Control
333	802574	1	Armature-Magneto
334	691061	1	Screw (Magneto Armature)
356	692390	1	Wire-Stop
505	231082	1	Nut (Governor Control Lever)
562	92613	1	Bolt (Governor Control Lever)
621	692310	1	Switch-Stop
★668	493823	1	Spacer
745	691648	1	Screw (Brake)
851	493880	1	Terminal-Spark Plug
922	691831	1	Spring-Brake
923	691994	1	Brake

Ref. No.	Part No.	Qty.	Description

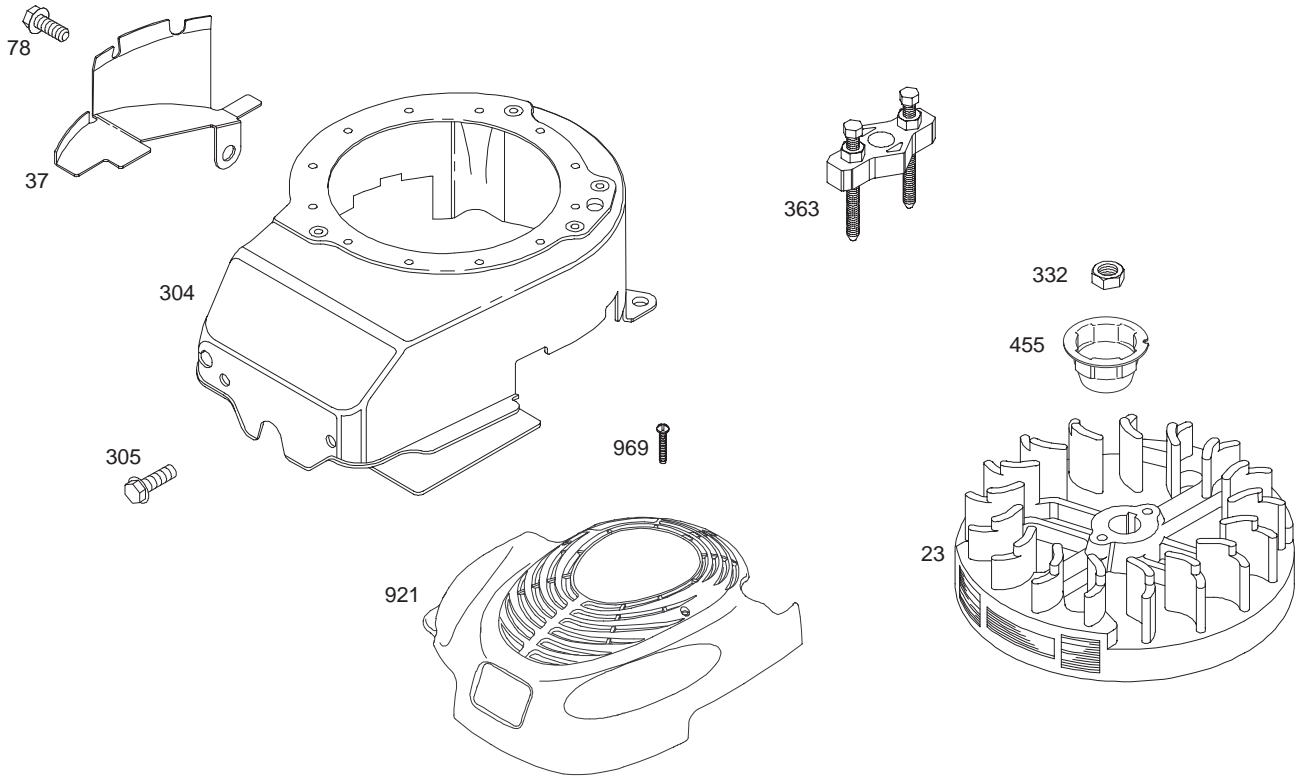


Assemblies include all parts shown in frames.

Muffler and Fuel Tank Assembly Engine Briggs and Stratton Model 123K02-0114-E1

Ref. No.	Part No.	Qty.	Description
81	691740	1	Lock-Muffler Screw
187	691050	1	Line-Fuel (Cut to Required Length)
190	690940	1	Screw (Fuel Tank)
300	692038	1	Muffler
601	95162	1	Clamp-Hose
613	691340	1	Screw (Muffler)
670	692294	1	Spacer-Fuel Tank
676	493871	1	Deflector-Muffler
677	690661	1	Screw (Muffler Deflector)
957	692046	1	Cap-Fuel Tank
972	499618	1	Tank-Fuel
1059	692311	1	Kit-Screw/Washer

Ref. No.	Part No.	Qty.	Description



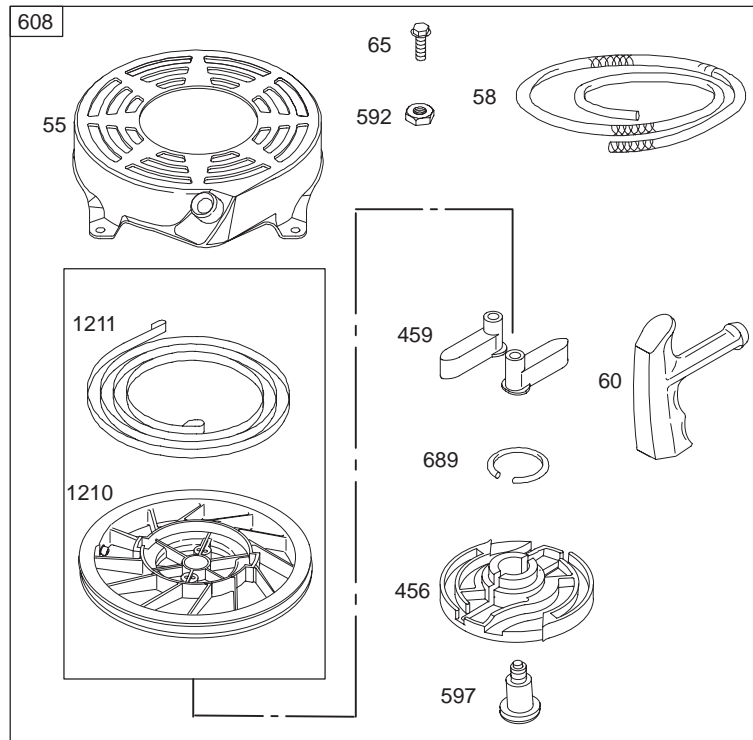
1036 LABEL-EMISSION

Assemblies include all parts shown in frames.

Blower Housing Assembly Engine Briggs and Stratton Model 123K02-0114-E1

Ref. No.	Part No.	Qty.	Description
23	692315	1	Flywheel
37	694086	1	Guard-Flywheel
78	691108	1	Screw (Flywheel Guard)
304	493293	1	Housing-Blower
305	691108	1	Screw (Blower Housing)
332	690662	1	Nut (Flywheel)
363	19069	1	Puller-Flywheel
455	695161	1	Cup-Flywheel
921	697343	1	Cover-Blower Housing
969	690700	1	Screw (Blower Housing Cover)
1036	697456	1	Label-Emission

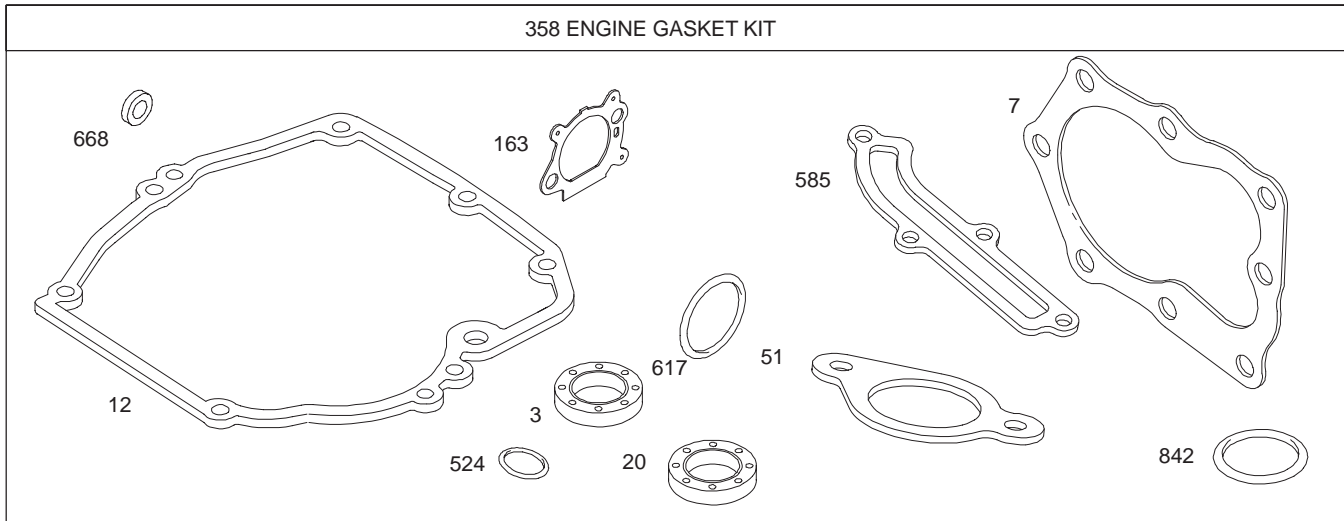
Ref. No.	Part No.	Qty.	Description



Starter Assembly Engine Briggs and Stratton Model 123K02-0114-E1

Ref. No.	Part No.	Qty.	Description
55	691421	1	Housing-Rewind Starter
58	697316	1	Rope-Starter (Cut to Required Length)
60	281434	1	Grip-Starter Rope
65	690837	1	Screw (Rewind Starter)
456	692299	1	Plate-Pawl Friction
459	281505	1	Ratchet-Pawl
592	690800	1	Nut (Rewind Starter)
597	691696	1	Screw (Pawl Friction Plate)
608	497680	1	Starter-Rewind
689	691855	1	Spring-Friction
1210	498144	1	Pulley/Spring Assembly (Pulley)
1211	498144	1	Pulley/Spring Assembly (Spring)

Ref. No.	Part No.	Qty.	Description



Assemblies include all parts shown in frames.

Gasket Assembly Engine Briggs and Stratton Model 123K02-0114-E1

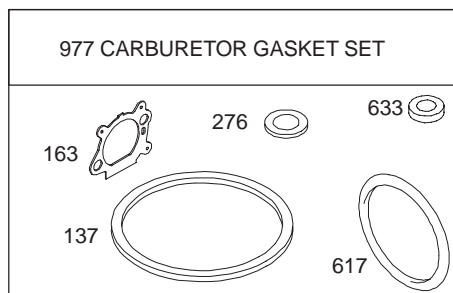
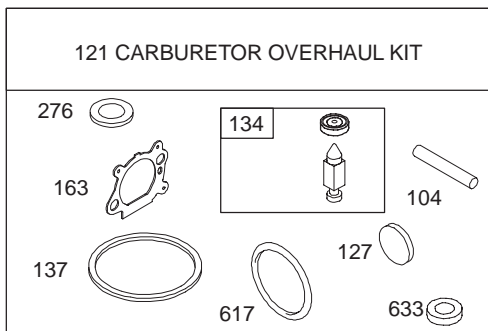
Ref. No.	Part No.	Qty.	Description
★3	299819	1	Seal-Oil (Magneto Side)
★7	692249	1	Gasket-Cylinder Head
★12	692232	1	Crankcase Gasket (.015 Thick, Standard)
★20	399781	1	Seal-Oil (PTO Side)
★51	272199	1	Gasket-Intake
★◆163	272653	1	Gasket-Air Cleaner
358	497316	1	Gasket Set-Engine
★524	692296	1	Seal-O Ring (Dipstick Tube)
★585	691879	1	Gasket-Breather Passage
★◆617	270344	1	Seal-O Ring (Intake Manifold)
★668	493823	1	Spacer
★842	691031	1	Seal-O Ring (Dipstick)

Ref. No.	Part No.	Qty.	Description

◆ Included in Carburetor Overhaul Kit-Ref. 121.

★ Included in Engine Gasket Set-Ref. 358.

◆ Included in Carburetor Gasket Set-Ref. 977.



Assemblies include all parts shown in frames.

Carburetor Overhaul Kit Assembly Engine Briggs and Stratton Model 123K02-0114-E1

Ref. No.	Part No.	Qty.	Description
●104	691242	1	Pin-Float Hinge
121	498260	1	Kit-Carburetor Overhaul
●127	694468	1	Plug-Welch
●134	398188	1	Kit-Needle/Seat
●◆137	693981	1	Gasket-Float Bowl
★◆163	272653	1	Gasket-Air Cleaner
●◆276	271716	1	Washer-Sealing
★◆◆617	270344	1	Seal-O Ring (Intake Manifold)
●◆633	691321	1	Seal-Choke/Throttle Shaft
977	498261	1	Gasket Set-Carburetor

Ref. No.	Part No.	Qty.	Description

● Included in Carburetor Overhaul Kit-Ref. 121.

★ Included in Engine Gasket Set-Ref. 358.

◆ Included in Carburetor Gasket Set-Ref. 977.

