



Super Recycler[®]

Walk Power Lawn Mower

Model No. 20038—220000001 and Up

Parts Catalog

Ordering Replacement Parts

To order replacement parts, please supply: the part number, the quantity, and the description of each part desired.

Understanding Reference Numbers

Each identified part in an illustration has a reference number. The reference number for a part also appears in the parts list, along with other information about the part.

This catalog uses two special reference number formats, one to indicate parts in a service assembly and another to indicate the quantity of a given part in an illustration.

Service Assembly Reference Numbers

Parts in service assemblies have reference numbers in the form **a:b**. The **a** represents the reference number of the entire service assembly and the **b** represents a sequential number unique to each part within the service assembly.

For example, a wheel assembly might be identified by reference number **6**, the tire by **6:1**, the valve by **6:2**, and the wheel by **6:3**. When you order the assembly identified by reference number **6**, you receive all parts identified by reference numbers **6:1**, **6:2**, and **6:3**. However, you may also order any part individually.

Reference numbers of this type appear in illustrations and in part lists.

Reference Numbers Indicating Quantity

In an illustration, if a reference number indicates more than one part, the reference number has the form **nX y**. The **n** represents the quantity of the part, the **X** is the multiplication symbol, and the **y** represents the reference number.

For example, in an illustration, the reference number **2X 37** means that two of the parts identified by reference number **37** are indicated.

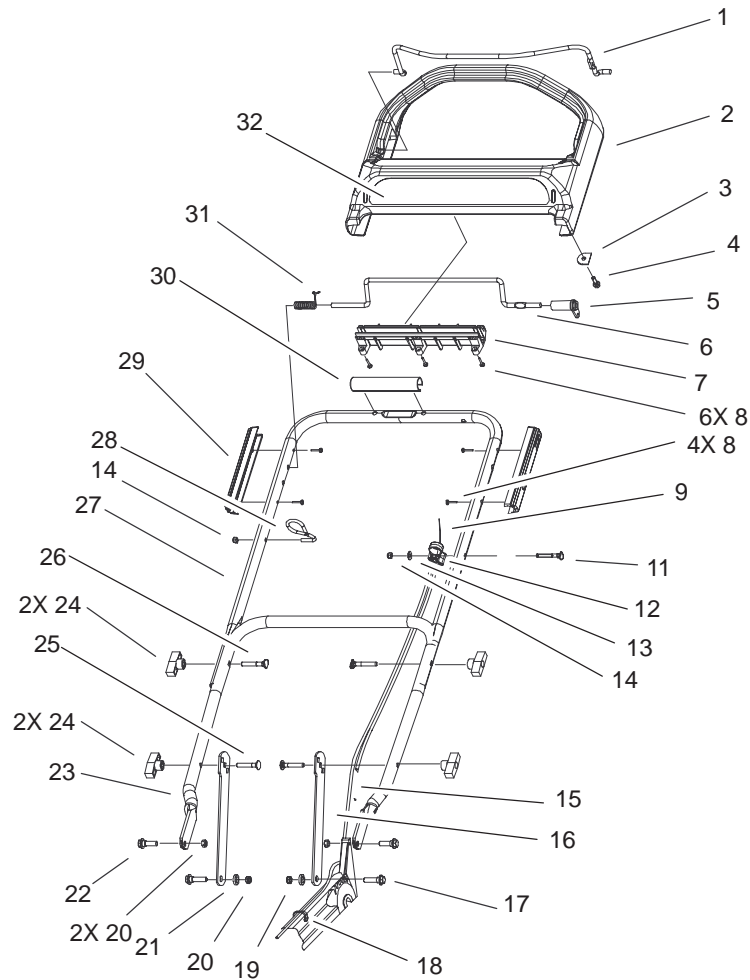
Contents

Description	Page	Description	Page
Housing and Wheel Assembly	3	Air Cleaner Assembly	
Gear Case Assembly No. 104-7674	4	Engine Briggs and Stratton Model	
Gear Case and Wheel Assembly	5	122602-0111-E1	15
Engine Assembly	6	Governor Assembly	
Handle and Control Assembly	7	Engine Briggs and Stratton Model	
Rear Bag Discharge Chute Assembly	8	122602-0111-E1	16
Rear Bagger Assembly No. 11-0189	9	Muffler and Fuel Tank Assembly	
Cylinder Assembly		Engine Briggs and Stratton Model	
Engine Briggs and Stratton Model		122602-0111-E1	17
122602-0111-E1	10	Blower Housing Assembly	
Cylinder Head Assembly		Engine Briggs and Stratton Model	
Engine Briggs and Stratton Model		122602-0111-E1	18
122602-0111-E1	11	Starter Assembly	
Crankshaft Assembly		Engine Briggs and Stratton Model	
Engine Briggs and Stratton Model		122602-0111-E1	19
122602-0111-E1	12	Gasket Assembly	
Crankcase Assembly		Engine Briggs and Stratton Model	
Engine Briggs and Stratton Model		122602-0111-E1	20
122602-0111-E1	13	Carburetor Overhaul Kit Assembly	
Carburetor Assembly		Engine Briggs and Stratton Model	
Engine Briggs and Stratton Model		122602-0111-E1	21
122602-0111-E1	14		

Part Description Abbreviations

Part descriptions in this catalog may include the following abbreviations.

Abbreviation	Meaning	Abbreviation	Meaning
AR	as required	HYD	hydraulic
ASM	assembly	INC	incorporated
CARR	carriage	LH	left hand
DEG	degrees	NI	nylon insert
FH	flat head	PPH	Phillips pan head
GA	gauge	PTH	Phillips truss head
HF	hex flange	PTO	power take off
HH	hex head	RH	right hand
HHF	hex head flange	SFH	slotted fillister head
HLH	hex lag head	SHH	slotted hex head
HJ	hex jam	SQH	square head
HOC	height-of-cut	SHWH	slotted hex washer head
HS	hex socket	SPH	slotted pan head
HSBH	hex socket button head	SRH	slotted round head
HSFH	hex socket flat head	STD	standard
HSH	hex socket head	TAP	self tapping
HWH	hex washer head	TTH	Torx truss head
HWHTF	hex washer head thread forming	WH	wing head

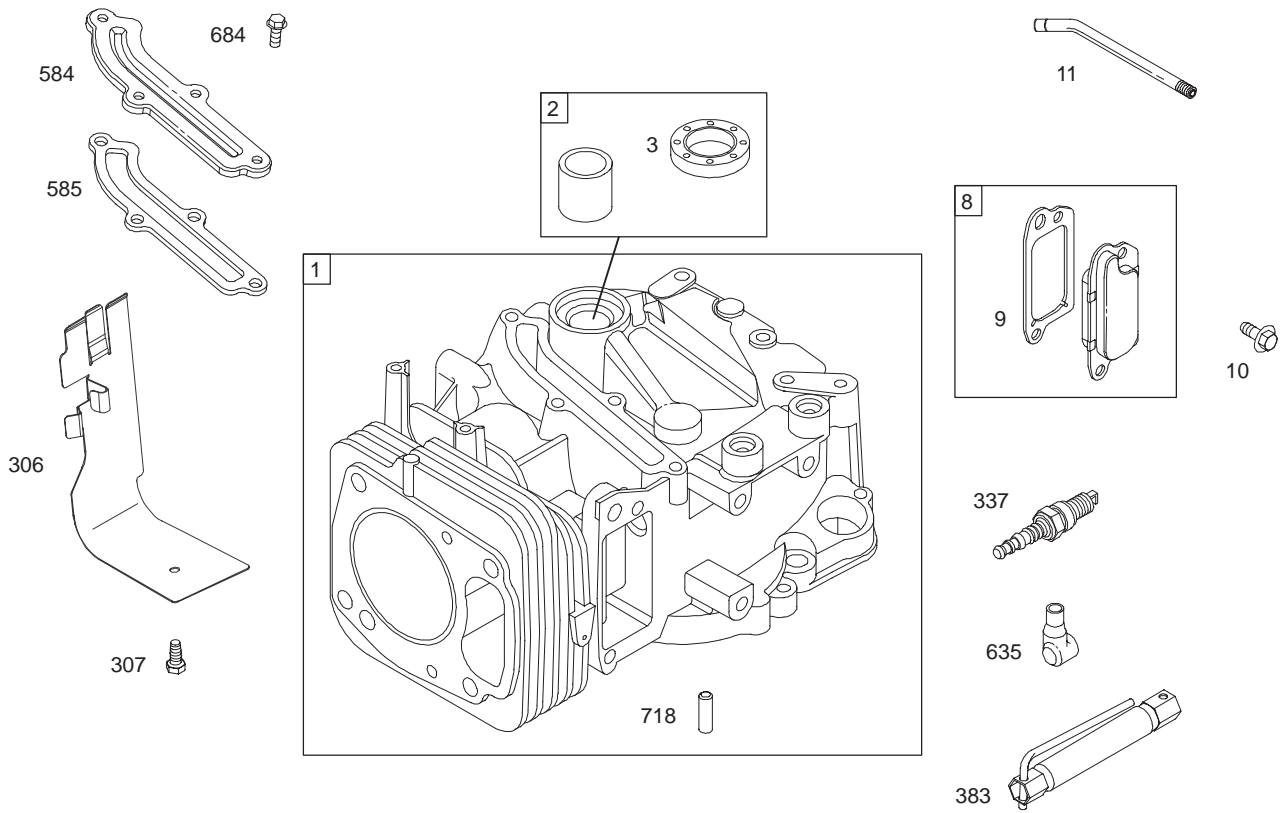


Sheet No.:5

Handle and Control Assembly

Ref. No.	Part No.	Qty.	Description
1	99-1593-03	1	Bail-Brake
2	99-1582	1	Handle-Control
3	99-1595	1	Retainer-Cable, Brake
4	98-2682	1	Screw-High-Low, 1/4-15
5	99-1589	1	Lever-Traction
6	99-1588	1	Bar-Control, Traction
7	99-6008	1	Retainer-Control Rod, Traction
8	94-4496	10	Screw-PPH
9	100-1186	1	Cable-Brake
11	95-4453	1	Screw-Handle
12	99-5239	1	Anchor-Cable
13	3256-1	1	Washer-Flat
14	3296-73	2	Nut-Lock, NI
15	99-1584	1	Cable-Traction
16	99-5248-03	2	Latch-Handle
17	27-7210	2	Screw-Shoulder
18	100-2894	1	Tie-Cable
19	3296-47	1	Nut-Lock, NI
20	3296-72	3	Nut-Lock, NI
21	3-3287	2	Spacer-Latch, Handle
22	27-7211	2	Screw-Shoulder
23	99-5249-05	1	Handle-Lower
24	98-7134	4	Knob-Handle
25	99-6019	2	Screw-CARR

Ref. No.	Part No.	Qty.	Description
26	92-2260	2	Screw-Handle
27	99-1596-05	1	Handle-Upper
28	86-9671	1	Guide-Rope
29	99-1590	2	Guide-Handle, Control
30	99-6339	1	Cover-Handle
31	99-1592	1	Spring-Torsion, RH
32	99-6009	1	Decal - Console



Assemblies include all parts shown in frames.

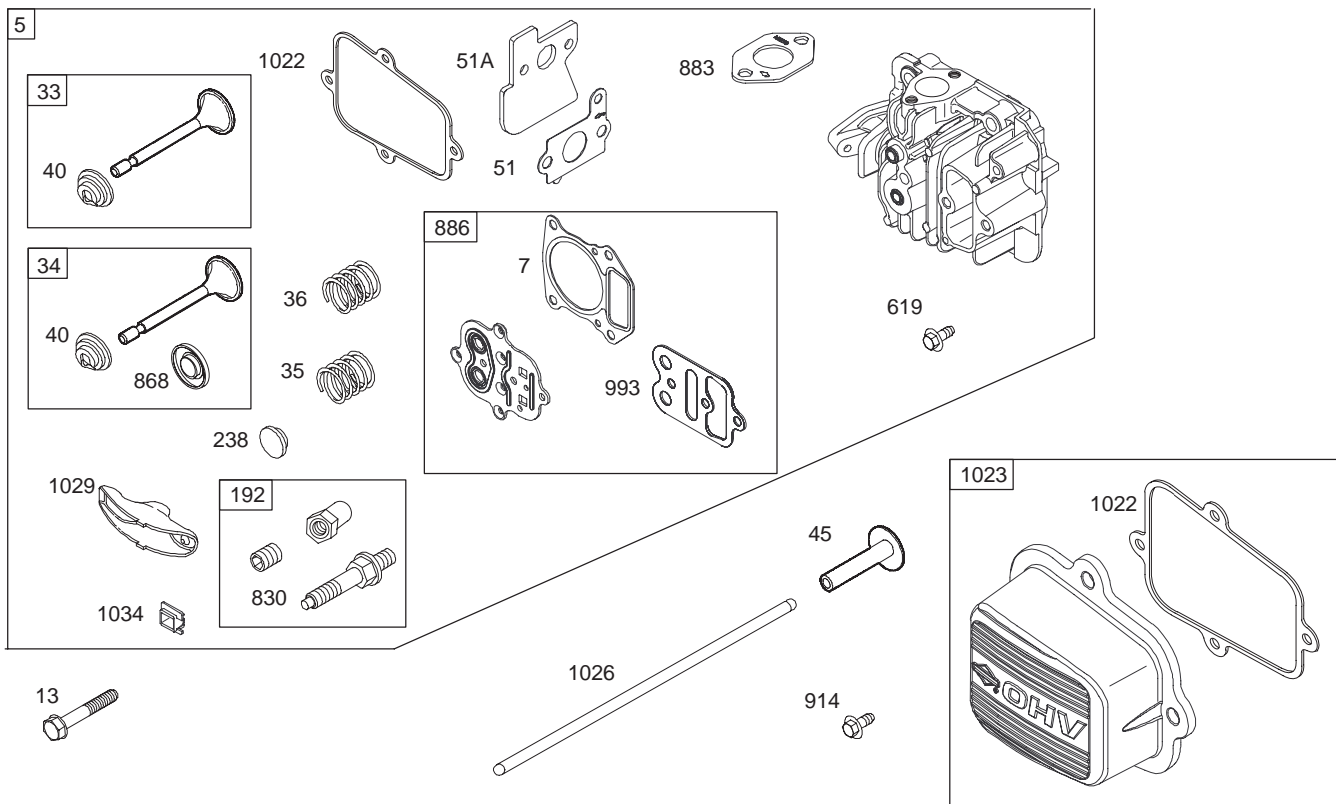
Cylinder Assembly Engine Briggs and Stratton Model 122602-0111-E1

Ref. No.	Part No.	Qty.	Description
1	499678	1	Cylinder Assembly
2	399269	1	Kit-Bushing/Seal (Magneto Side)
★3	299819	1	Seal-Oil (Magneto Side)
8	495786	1	Breather Assembly
△★9	272481	1	Gasket-Breather
10	691125	1	Screw (Breather Assembly)
11	691260	1	Tube-Breather
306	691232	1	Shield-Cylinder
307	690345	1	Screw (Cylinder Shield)
337	692051	1	Sparkplug
383	19374	1	Wrench-Sparkplug
584	692342	1	Cover-Breather Passage
★585	691879	1	Gasket-Breather Passage
635	66538	1	Boot-Sparkplug
684	690345	1	Screw (Breather Passage Gasket)
718	690959	1	Pin-Locating

Ref. No.	Part No.	Qty.	Description
1058	274979	1	Owner's Manual

△ Included in Valve Gasket Set-Ref. 1095.

★ Included in Engine Gasket Set-Ref. 358.

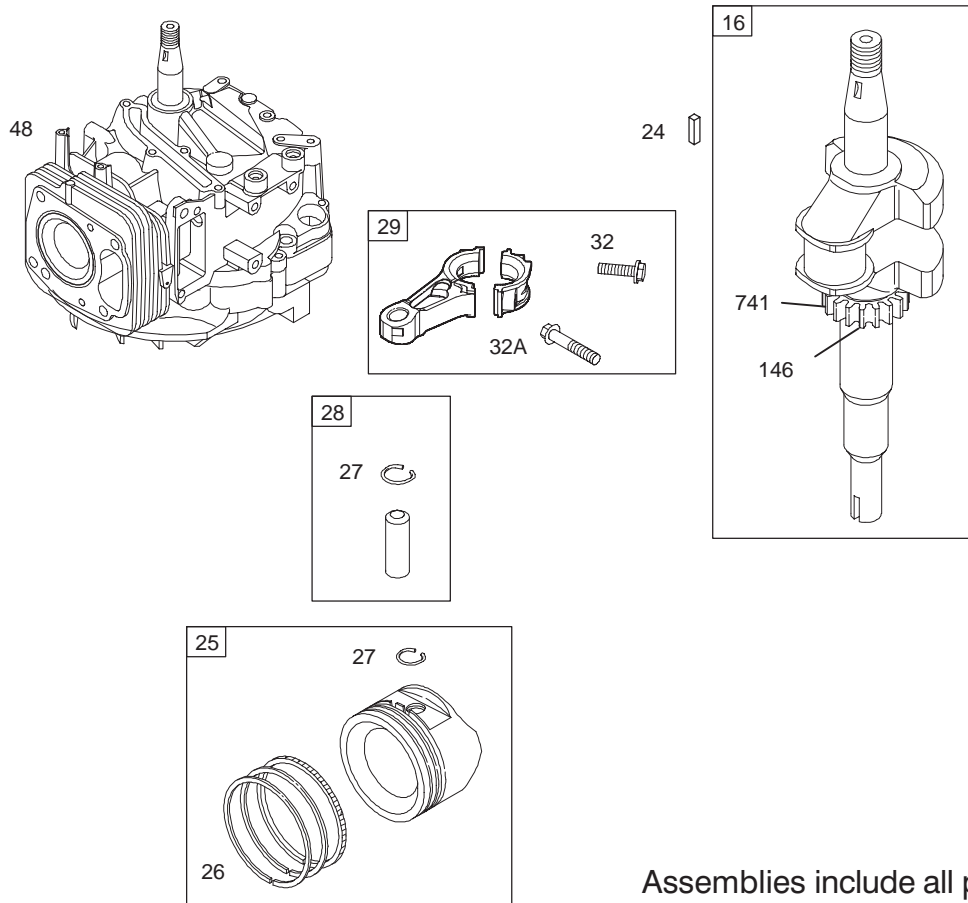


Assemblies include all parts shown in frames.

Cylinder Head Assembly Engine Briggs and Stratton Model 122602-0111-E1

Ref. No.	Part No.	Qty.	Description	Ref. No.	Part No.	Qty.	Description
5	695276	1	Head-Cylinder	914	693398	1	Screw (Rocker Cover)
Δ★7	695166	1	Gasket-Cylinder Head	Δ★993	694088	1	Gasket-Cylinder Head Plate
13	691137	1	Screw (Cylinder Head)	Δ★1022	692694	1	Gasket-Rocker Cover
33	499642	1	Valve-Exhaust	1023	690214	1	Cover-Rocker
34	499641	1	Valve-Intake	1026	692045	1	Rod-Push
35	691304	1	Spring-Valve (Intake)	1029	691230	1	Arm-Rocker
36	691304	1	Spring-Valve (Exhaust)	1034	691343	1	Guide-Push Rod
40	692194	1	Retainer-Valve				
45	690977	1	Tappet-Valve				
Δ★◆51	692668	1	Gasket-Intake				
Δ★◆51A	692799	1	Gasket-Intake				
192	694543	1	Adjuster-Rocker Arm				
238	691300	1	Cap-Valve				
619	691108	1	Screw (Cylinder Head Plate)				
830	694544	1	Stud-Rocker Arm				
Δ★868	692044	1	Seal-Valve				
Δ★883	691893	1	Gasket-Exhaust				
886	696268	1	Gasket Kit-Cylinder Head/Plate				

Δ Included in Valve Gasket Set-Ref. 1095. ◆ Included in Carburetor Overhaul Kit-Ref. 121.
 ★ Included in Engine Gasket Set-Ref. 358. ◆ Included in Carburetor Gasket Set-Ref. 977.

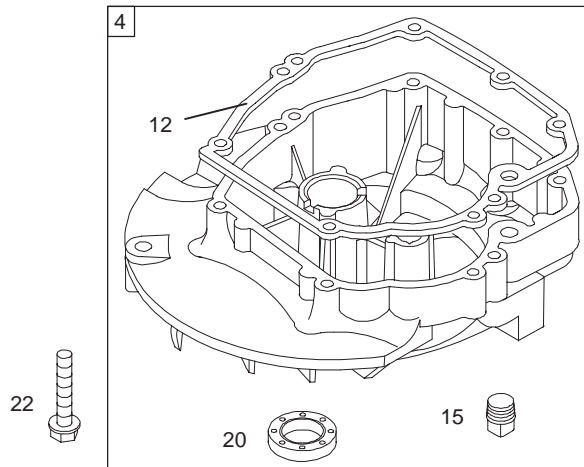
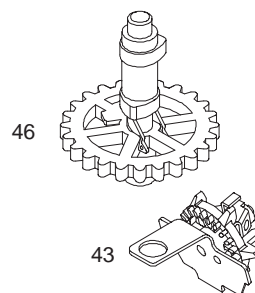
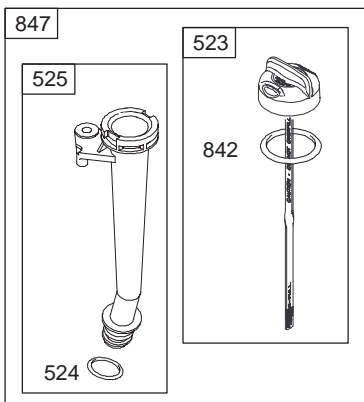


Assemblies include all parts shown in frames.

Crankshaft Assembly Engine Briggs and Stratton Model 122602-0111-E1

Ref. No.	Part No.	Qty.	Description
16	695950	1	Crankshaft
24	222698	1	Key-Flywheel
25	499627	1	Piston Assembly (Standard)
	692788	1	Piston Assembly (.010" Oversize)
	692789	1	Piston Assembly (.020" Oversize)
	692790	1	Piston Assembly (.030" Oversize)
26	499631	1	Ring Set (Standard)
	692785	1	Ring Set (.010" Oversize)
	692786	1	Ring Set (.020" Oversize)
	692787	1	Ring Set (.030" Oversize)
27	691866	1	Lock-Piston Pin
28	499423	1	Pin-Piston
29	499424	1	Rod-Connecting
32	691664	1	Screw (Connecting Rod)

Ref. No.	Part No.	Qty.	Description
32A	695759	1	Screw (Connecting Rod)
48	694898	1	Short Block
146	690979	1	Key-Timing
741	691830	1	Gear-Timing



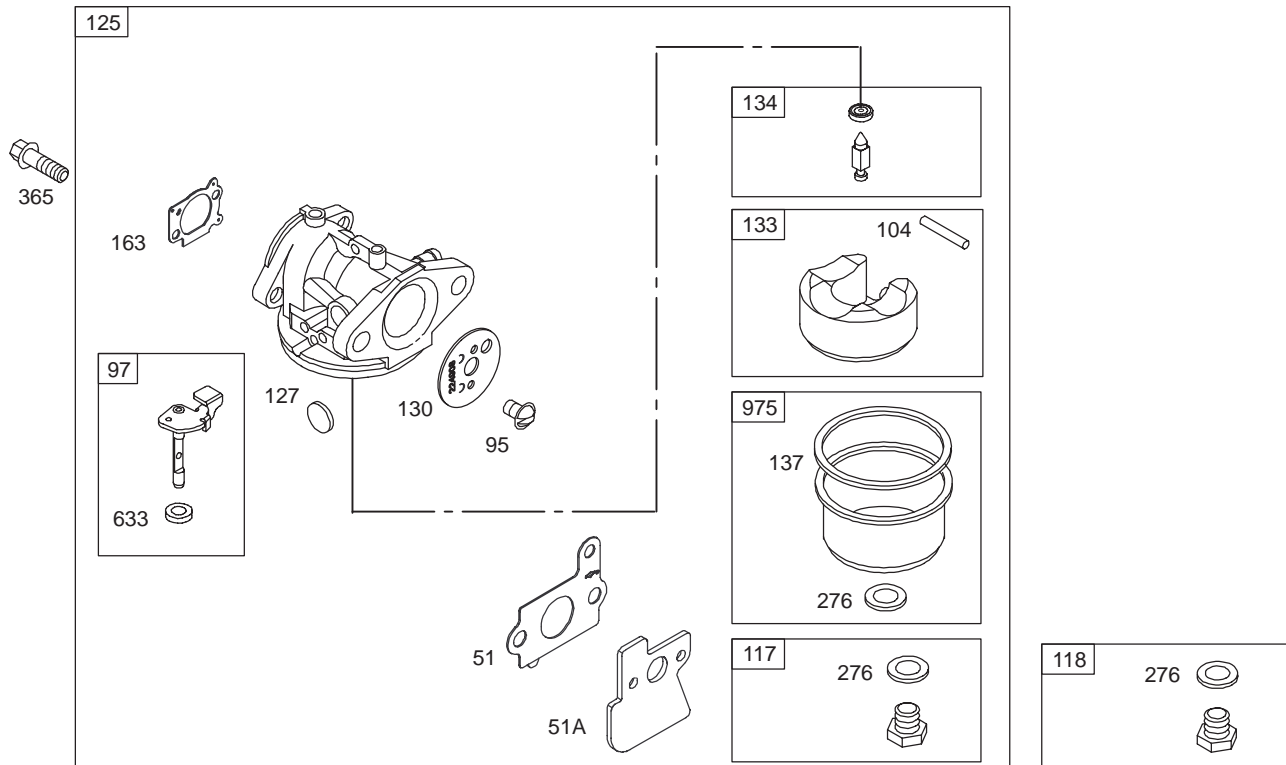
Assemblies include all parts shown in frames.

Crankcase Assembly Engine Briggs and Stratton Model 122602-0111-E1

Ref. No.	Part No.	Qty.	Description
4	499619	1	Sump-Engine
★12	692232	1	Gasket-Crankcase
15	691680	1	Plug-Oil Drain
★20	399781	1	Seal-Oil (PTO Side)
22	691092	1	Screw (Engine Sump)
43	691997	1	Slinger-Governor/Oil
46	694039	1	Camshaft
287	690940	1	Screw (Dipstick Tube)
523	499621	1	Tube-Dipstick
★524	692296	1	Seal-Dipstick Tube
525	495265	1	Tube-Dipstick
★842	691031	1	Seal-O Ring (Dipstick Tube)
847	692047	1	Assembly-Dipstick/ Tube

Ref. No.	Part No.	Qty.	Description

★ Included in Engine Gasket Set-Ref. 358.



Carburetor Assembly Engine Briggs and Stratton Model 122602-0111-E1

Ref. No.	Part No.	Qty.	Description
△★◆51	692668	1	Gasket-Intake
△★◆51A	692799	1	Gasket-Intake
95	691636	1	Screw (Throttle Valve)
97	499682	1	Shaft-Throttle
●104	691242	1	Pin-Float Hinge
117	498978	1	Jet-Main (Standard)
118	498975	1	Jet-Main (High Altitude)
125	694202	1	Carburetor
●127	694468	1	Plug-Welch
130	691203	1	Valve-Throttle
133	398187	1	Float-Carburetor
●134	398188	1	Kit-Needle/Seat
●◆137	693981	1	Gasket-Float Bowl
△★◆163	691894	1	Gasket-Air Cleaner
●◆276	271716	1	Washer-Sealing
365	691136	1	Screw (Carburetor)
●◆633	691321	1	Seal-Choke/Throttle Shaft
975	493640	1	Bowl-Float

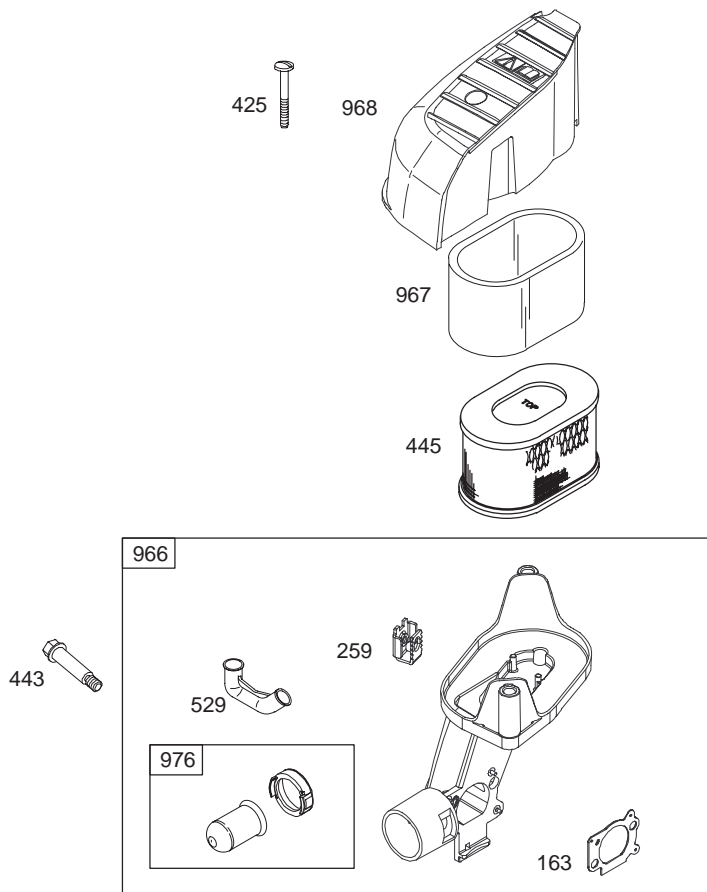
Ref. No.	Part No.	Qty.	Description

△ Included in Valve Gasket Set-Ref. 1095.

★ Included in Engine Gasket Set-Ref. 358.

● Included in Carburetor Overhaul Kit-Ref. 121.

◆ Included in Carburetor Gasket Set-Ref. 977.



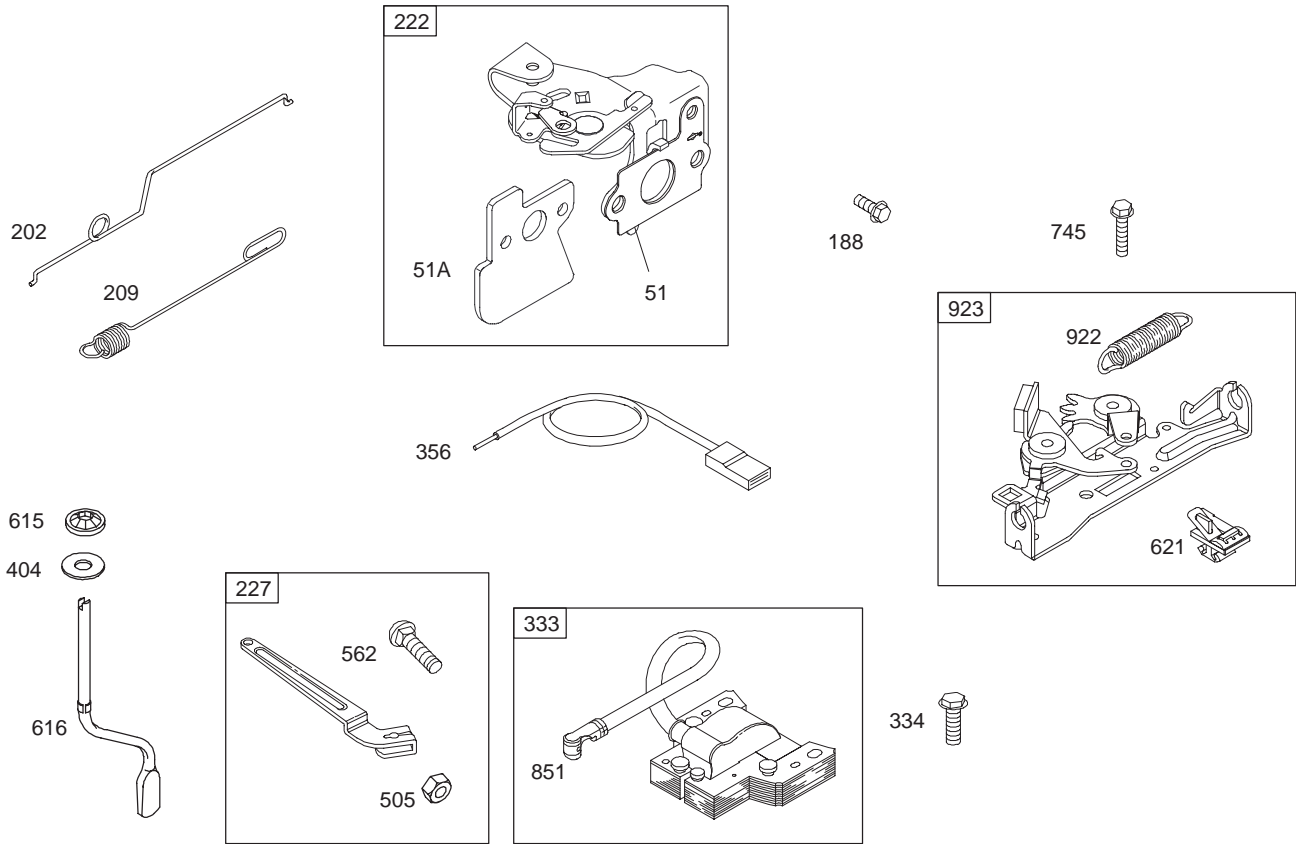
Assemblies include all parts shown in frames.

Air Cleaner Assembly Engine Briggs and Stratton Model 122602-0111-E1

Ref. No.	Part No.	Qty.	Description		Ref. No.	Part No.	Qty.	Description
Δ★◆163	691894	1	Gasket-Air Cleaner					
	259	1	Bracket-Casing Clamp					
	425	1	Screw (Air Cleaner Cover)					
	443	1	Screw (Air Cleaner Primer Bracket)					
	445	1	Filter-Air Cleaner Cartridge					
	529	1	Grommet					
	966	1	Base-Air Cleaner Primer					
	967	1	Filter-Pre Cleaner					
	968	1	Cover-Air Cleaner					
	976	1	Primer-Carburetor					

★ Included in Engine Gasket Set-Ref. 358.
 ● Included in Carburetor Overhaul Kit-Ref. 121.

Δ Included in Valve Gasket Set-Ref. 1095.
 ◆ Included in Carburetor Gasket Set-Ref. 977.



Assemblies include all parts shown in frames.

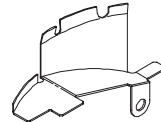
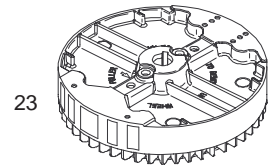
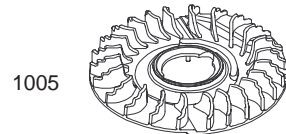
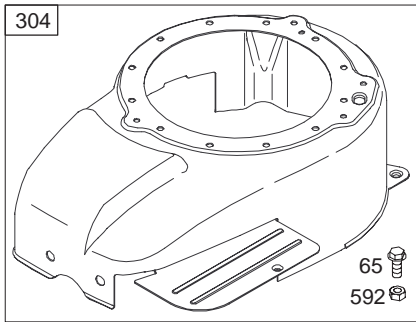
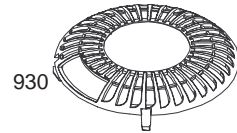
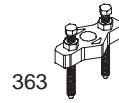
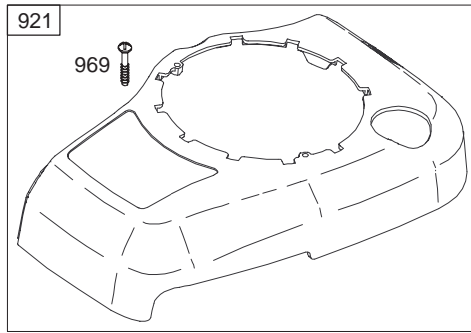
Governor Assembly Engine Briggs and Stratton Model 122602-0111-E1

Ref. No.	Part No.	Qty.	Description
Δ★◆51	692668	1	Gasket-Intake
Δ★◆51A	692799	1	Gasket-Intake
188	693168	1	Screw (Control Bracket)
202	691303	1	Link-Mechanical Governor
209	690319	1	Spring-Governor
222	692723	1	Bracket-Control
227	690783	1	Lever-Governor Control
333	802574	1	Armature-Magneto
334	691061	1	Screw (Magneto Armature)
356	692390	1	Wire-Stop
404	690272	1	Washer (Governor Crank)
505	231082	1	Nut (Governor Control Lever)
562	92613	1	Screw (Governor Control Lever)
615	690340	1	Retainer-Governor Shaft

Ref. No.	Part No.	Qty.	Description
616	691308	1	Crank-Governor
621	692310	1	Switch-Stop
745	691648	1	Screw (Brake)
851	493880	1	Terminal-Sparkplug
922	691831	1	Spring-Brake
923	691994	1	Brake Assembly

★ Included in Engine Gasket Set-Ref. 358.
 ● Included in Carburetor Overhaul Kit-Ref. 121.

Δ Included in Valve Gasket Set-Ref. 1095.
 ◆ Included in Carburetor Gasket Set-Ref. 977.



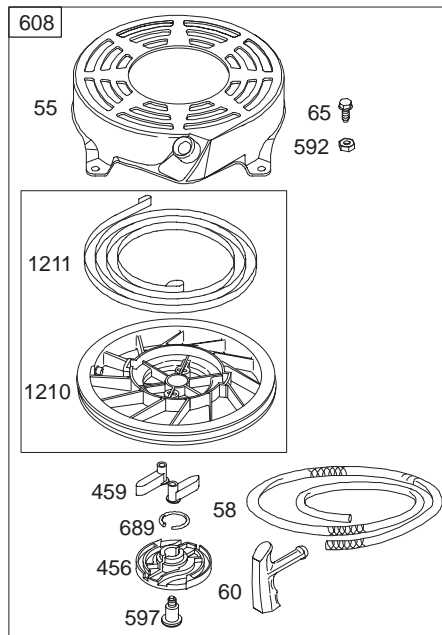
1036 Emission Label

Assemblies include all parts shown in frames.

Blower Housing Assembly Engine Briggs and Stratton Model 122602-0111-E1

Ref. No.	Part No.	Qty.	Description
23	696569	1	Flywheel
37	694086	1	Guard-Flywheel
65	690837	1	Screw (Rewind Starter)
78	691108	1	Screw (Flywheel Guard)
304	499677	1	Housing-Blower
305	690960	1	Screw (Blower Housing)
332	690662	1	Nut (Flywheel)
363	19069	1	Puller-Flywheel
455	695161	1	Cup-Flywheel
592	690800	1	Nut (Rewind Starter)
921	692699	1	Cover-Blower Housing
930	692691	1	Guard-Rewind
969	691138	1	Screw (Blower Housing Cover)
1005	691346	1	Fan-Flywheel
1036	696767	1	Label-Emission

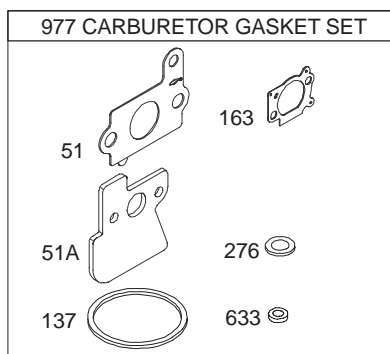
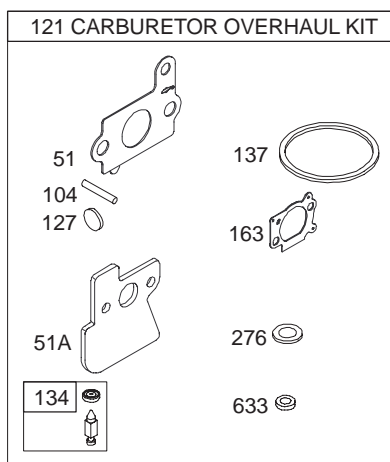
Ref. No.	Part No.	Qty.	Description



Assemblies include all parts shown in frames.

Starter Assembly Engine Briggs and Stratton Model 122602-0111-E1

Ref. No.	Part No.	Qty.	Description	Ref. No.	Part No.	Qty.	Description
55	691421	1	Housing-Rewind Starter				
58	280399	1	Rope-Starter (Cut to Required Length)				
60	281434	1	Grip-Starter Rope				
65	690837	1	Screw (Rewind Starter)				
456	692299	1	Plate-Pawl Friction				
459	281505	1	Pawl-Ratchet				
592	690800	1	Nut (Rewind Starter)				
597	691696	1	Screw (Pawl Friction Plate)				
608	497680	1	Starter-Rewind				
689	691855	1	Spring-Friction				
1210	498144	1	Pulley/Spring Assembly (Pulley)				
1211	498144	1	Pulley/Spring Assembly (Spring)				



Assemblies include all parts shown in frames.

Carburetor Overhaul Kit Assembly Engine Briggs and Stratton Model 122602-0111-E1

Ref. No.	Part No.	Qty.	Description
△★◆51	692668	1	Gasket-Intake
△★◆51A	692799	1	Spacer-Carburetor
●104	691242	1	Pin-Float Hinge
121	692703	1	Kit-Carburetor Overhaul
●127	694468	1	Plug-Welch
●134	398188	1	Kit-Needle/Seat
●◆137	693981	1	Gasket-Float Bowl
△★◆163	691894	1	Gasket-Air Cleaner
●◆276	271716	1	Washer-Sealing
●◆633	691321	1	Seal-Choke/Throttle Shaft
977	692704	1	Gasket Set-Carburetor

Ref. No.	Part No.	Qty.	Description

△ Included in Valve Gasket Set-Ref. 1095.
★ Included in Engine Gasket Set-Ref. 358.

● Included in Carburetor Overhaul Kit-Ref. 121.
◆ Included in Carburetor Gasket Set-Ref. 977.

