



Super Recycler[®]

Walk Power Lawn Mower

Model No. 20039—220000001 and Up

Parts Catalog

Ordering Replacement Parts

To order replacement parts, please supply: the part number, the quantity, and the description of each part desired.

Understanding Reference Numbers

Each identified part in an illustration has a reference number. The reference number for a part also appears in the parts list, along with other information about the part.

This catalog uses two special reference number formats, one to indicate parts in a service assembly and another to indicate the quantity of a given part in an illustration.

Service Assembly Reference Numbers

Parts in service assemblies have reference numbers in the form **a:b**. The **a** represents the reference number of the entire service assembly and the **b** represents a sequential number unique to each part within the service assembly.

For example, a wheel assembly might be identified by reference number **6**, the tire by **6:1**, the valve by **6:2**, and the wheel by **6:3**. When you order the assembly identified by reference number **6**, you receive all parts identified by reference numbers **6:1**, **6:2**, and **6:3**. However, you may also order any part individually.

Reference numbers of this type appear in illustrations and in part lists.

Reference Numbers Indicating Quantity

In an illustration, if a reference number indicates more than one part, the reference number has the form **nX y**. The **n** represents the quantity of the part, the **X** is the multiplication symbol, and the **y** represents the reference number.

For example, in an illustration, the reference number **2X 37** means that two of the parts identified by reference number **37** are indicated.

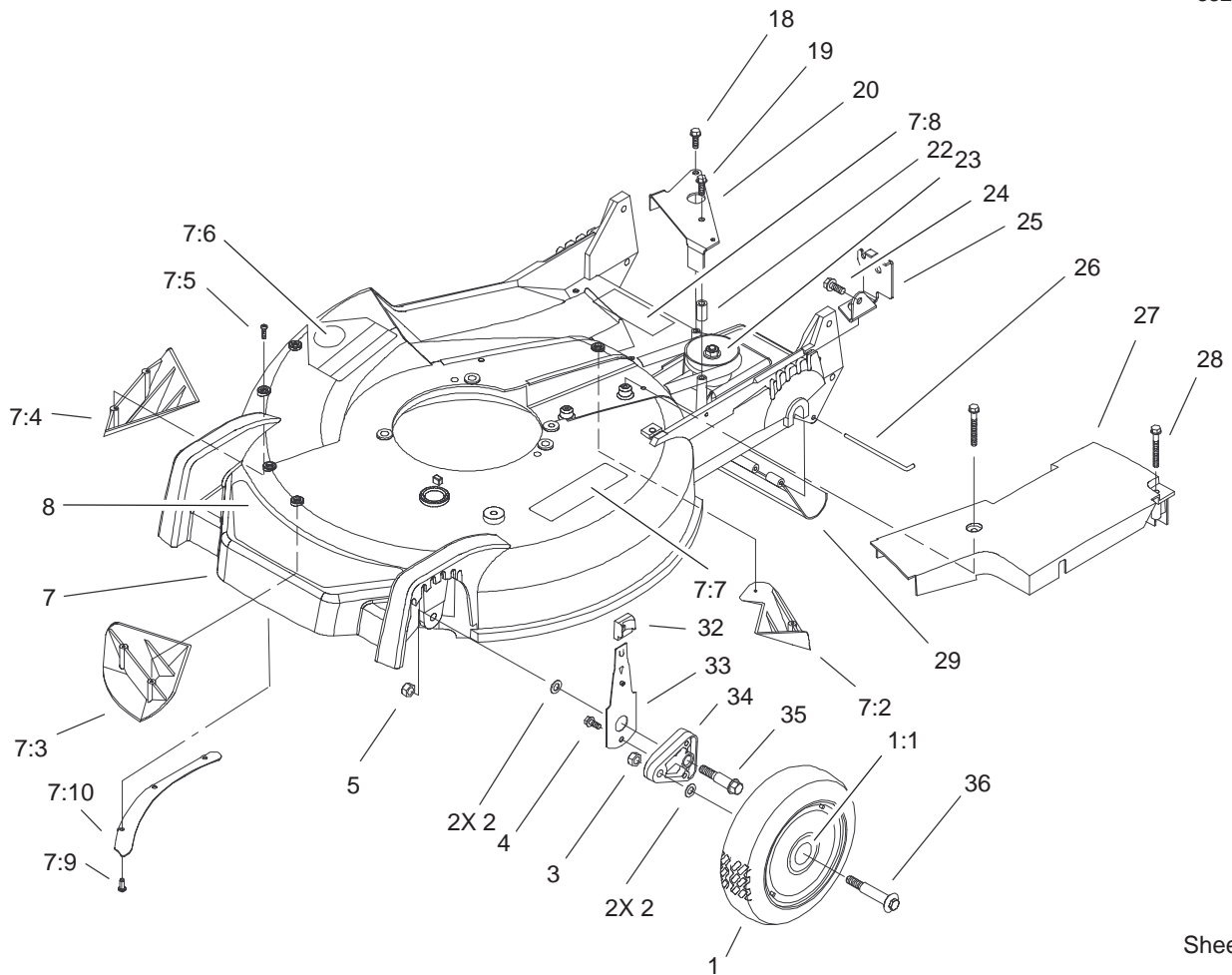
Contents

Description	Page	Description	Page
Housing and Wheel Assembly	3	Engine Briggs and Stratton Model 122607-0118-E1	16
Gear Case Assembly No. 104-7674	4	Governor Assembly Engine Briggs and Stratton Model 122607-0118-E1	17
Gear Case and Wheel Assembly	5	Muffler and Fuel Tank Assembly Engine Briggs and Stratton Model 122607-0118-E1	18
Engine Assembly	6	Blower Housing Assembly Engine Briggs and Stratton Model 122607-0118-E1	19
Handle and Control Assembly	7	Starter Assembly Engine Briggs and Stratton Model 122607-0118-E1	20
Battery and Switch Assembly	8	Starter Assembly Engine Briggs and Stratton Model 122607-0118-E1	21
Rear Bag Discharge Chute Assembly	9	Gasket Assembly Engine Briggs and Stratton Model 122607-0118-E1	22
Rear Bagger Assembly	10	Carburetor Overhaul Kit Assembly Engine Briggs and Stratton Model 122607-0118-E1	23
Cylinder Assembly Engine Briggs and Stratton Model 122607-0118-E1	11		
Cylinder Head Assembly Engine Briggs and Stratton Model 122607-0118-E1	12		
Crankshaft Assembly Engine Briggs and Stratton Model 122607-0118-E1	13		
Crankcase Assembly Engine Briggs and Stratton Model 122607-0118-E1	14		
Carburetor Assembly Engine Briggs and Stratton Model 122607-0118-E1	15		
Air Cleaner Assembly			

Part Description Abbreviations

Part descriptions in this catalog may include the following abbreviations.

Abbreviation	Meaning	Abbreviation	Meaning
AR	as required	HYD	hydraulic
ASM	assembly	INC	incorporated
CARR	carriage	LH	left hand
DEG	degrees	NI	nylon insert
FH	flat head	PPH	Phillips pan head
GA	gauge	PTH	Phillips truss head
HF	hex flange	PTO	power take off
HH	hex head	RH	right hand
HHF	hex head flange	SFH	slotted fillister head
HLH	hex lag head	SHH	slotted hex head
HJ	hex jam	SQH	square head
HOC	height-of-cut	SHWH	slotted hex washer head
HS	hex socket	SPH	slotted pan head
HSBH	hex socket button head	SRH	slotted round head
HSFH	hex socket flat head	STD	standard
HSH	hex socket head	TAP	self tapping
HWH	hex washer head	TTH	Torx truss head
HWHTF	hex washer head thread forming	WH	wing head

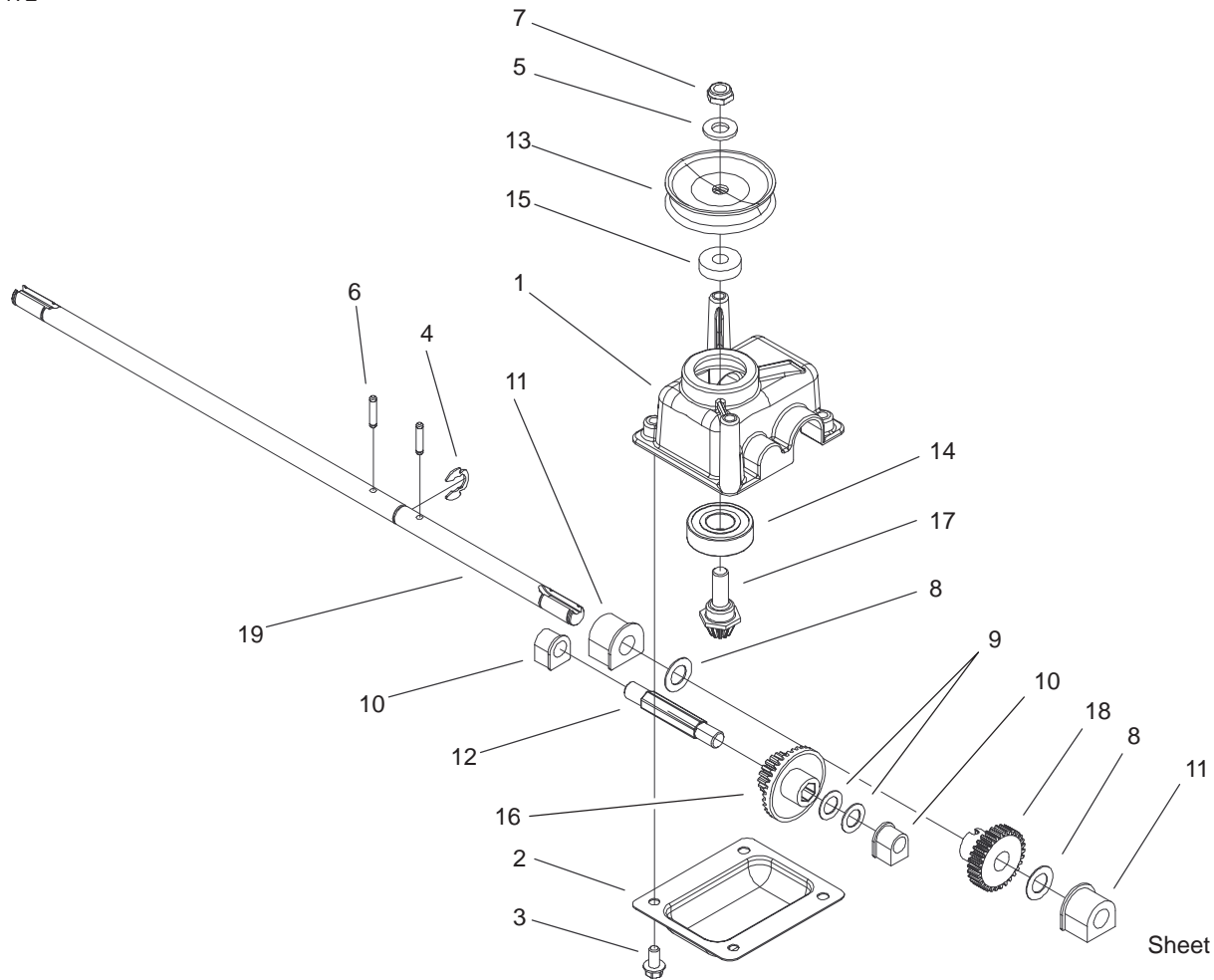


Sheet No.:2

Housing and Wheel Assembly

Ref. No.	Part No.	Qty.	Description
1	98-7130	2	Wheel ASM
1:1	27-6250	2	Bushing
2	40-1940	4	Washer
3	603773	2	Nut
4	32144-85	2	Screw-HH
5	3296-6	2	Nut-Lock, NI
7	105-1307	1	Housing-Service
7:2	92-1750	1	Kicker-Rear
7:3	92-1720	1	Kicker-Front
7:4	92-1730	1	Kicker-RH
7:5	32144-111	6	Screw-PPH
7:6	43-8480	1	Decal-Danger
7:7	93-0248	1	Decal - Warning
7:8	99-6018	1	Decal - Warning
7:9	63-8590	3	Screw
7:10	105-1316-03	1	Sheet-Lip, Sr
8	99-6010	1	Decal - Deck
18	49-2040	1	Screw-Tapping
19	92-1616	1	Screw-HWHTF
20	99-1513-03	1	Bracket-Transmission Actuator
22	614673	1	Bushing-Plate, Actuator
23	104-7674	1	Gear Case ASM
24	32144-70	1	Screw-HH

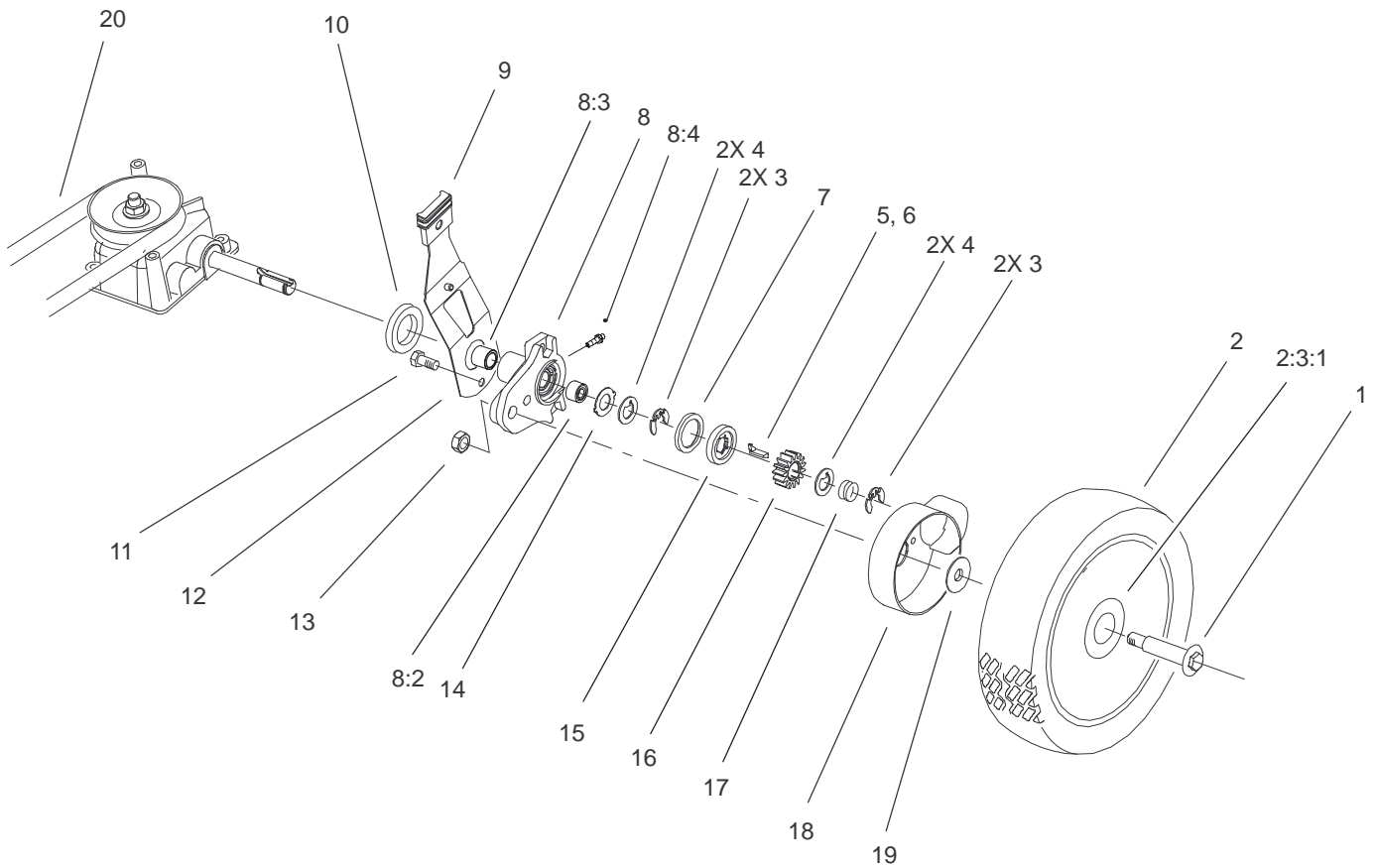
Ref. No.	Part No.	Qty.	Description
25	99-1512-03	1	Bracket-Cable, Traction
26	33-3208	1	Rod-Shield
27	104-7906	1	Cover-Belt
28	37-7260	1	Screw-HH
29	44-0580	1	Shield-Trailing
32	25-7740	2	Knob-Arm
33	66-0541	2	Front Spring Arm ASM
34	66-0580	2	Arm-Pivot, Front
35	66-0560	2	Bolt-Shoulder
36	92-1057	2	Bolt-Shoulder



Gear Case Assembly No. 104-7674

Ref. No.	Part No.	Qty.	Description
1	104-7619	1	Case, Gear
2	614668-03	1	Cover-Case, Gear
3	32144-4	4	Screw-HWH
4	32151-68	1	Ring-Retaining
5	3256-24	1	Washer-Flat
6	3285-19	2	Pin-Groove
7	3296-5	1	Nut-Lock, NI
8	36-4780	2	Washer
9	36-4791	2	Washer-Thrust
10	60-8750	2	Bushing
11	60-8850	2	Bushing-Output
12	614696	1	Shaft-Intermediate
13	100-1176	2	Pulley-Half
14	100-1048	1	Bearing-Ball
15	62-6660	1	Spacer
16	104-1005	1	Gear-19t Spur, 37t Bevel
17	104-7667	1	Gear-Pinion, Bevel
18	104-1004	1	Gear-30t
19	104-7673	1	Shaft-Output

Ref. No.	Part No.	Qty.	Description

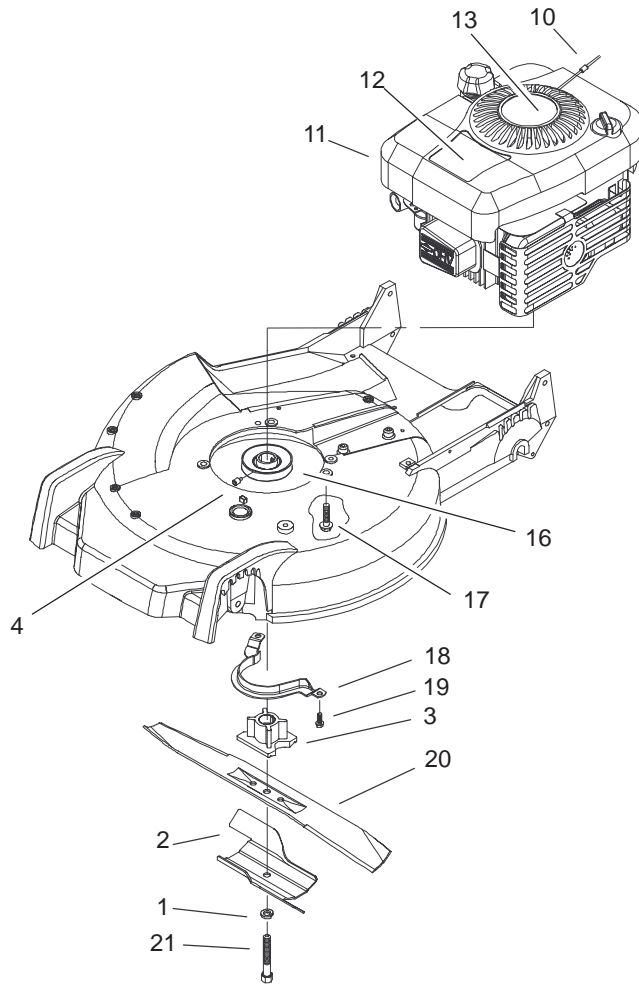


Sheet No.:3

Gear Case and Wheel Assembly

Ref. No.	Part No.	Qty.	Description
1	92-1057	2	Bolt-Shoulder
2	98-7135	2	Wheel ASM
2:3:1	27-6250	2	Bushing
3	65-2720	4	Ring-Klip
4	65-4740	4	Washer-Thrust, Keyed
5	66-6040	1	Key-Rocking, RH
6	66-6050	1	Key-Rocking, LH
7	65-4710	2	Ring-Friction
8	100-8774	2	Pivot Arm ASM
8:2	47-2900	1	Bushing
8:3	70-9760	1	Bushing
8:4	302-56	1	Fitting-Zerk
9	25-7740	2	Knob-Arm
10	42-3520	2	Cap-End
11	32144-85	2	Screw-HH
12	63-8721	2	Spring Arm ASM
13	603773	2	Nut
14	65-4730	2	Washer-Arm, Pivot
15	65-4760	2	Washer-Clutch
16	65-4750	2	Gear-Pinion
17	65-4720	2	Spring-Compression
18	74-1660	2	Cover-Wheel
19	74-1671	2	Spacer-Cover, Wheel
20	91-2258	1	V-Belt

Ref. No.	Part No.	Qty.	Description



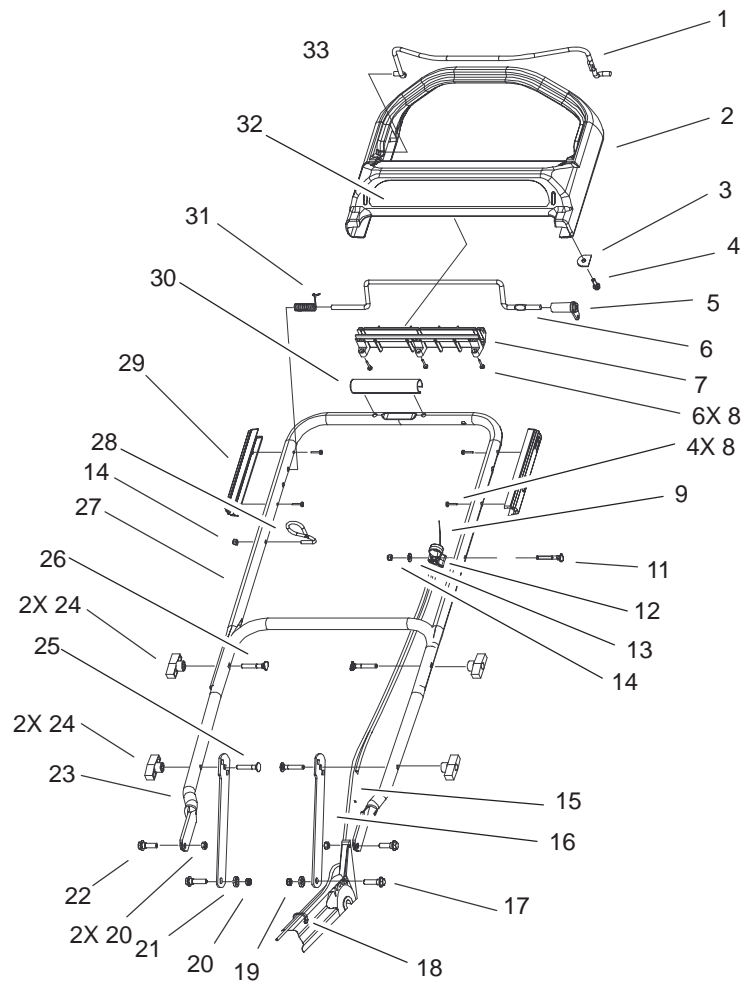
Sheet No.:4

Engine Assembly

Ref. No.	Part No.	Qty.	Description
1	3253-22	1	Washer-Lock
2	94-1608-03	1	Accelerator-Blade
3	104-1007	1	Retainer-Blade
4	104-0214	1	Screw-Set
10	2210-316	1	Stop-Rope
☆11		1	Engine-Intek 6.75, Es W/Alt Briggs & Stratton Model 122607-0118-E1
12	99-6015	1	Decal - Recoil
13	105-8571	1	Decal-Recoil
16	95-1878	1	Pulley
17	32144-102	3	Screw-HWH
18	66-0570-03	1	Bracket-Guide, Belt
19	32144-70	2	Screw-HH
20	93-4106-03	1	Blade-Recycler
21	95-1748	1	Screw-Blade

Ref. No.	Part No.	Qty.	Description

☆ Not serviced separately

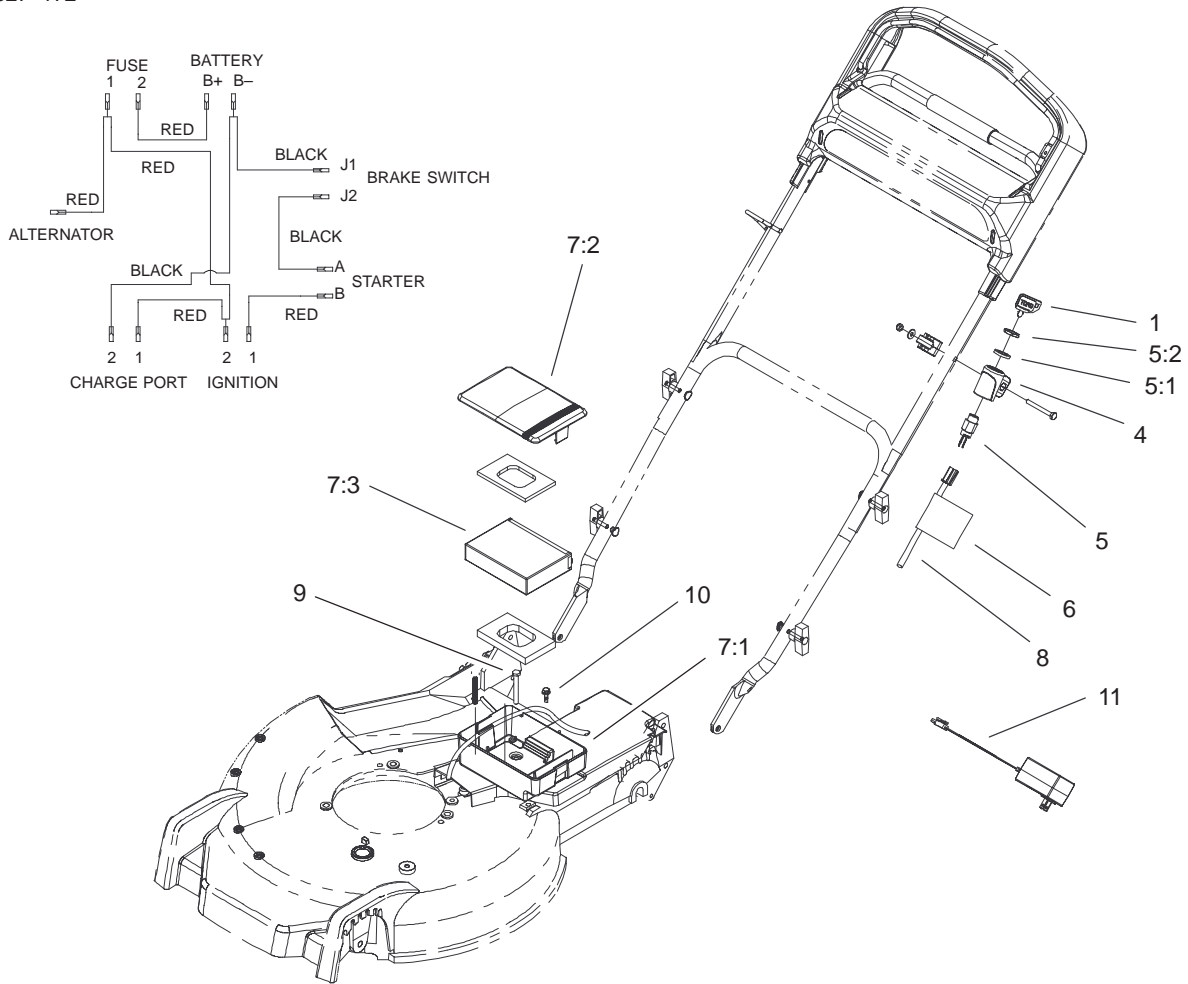


Sheet No.:5

Handle and Control Assembly

Ref. No.	Part No.	Qty.	Description
1	99-1593-03	1	Bail-Brake
2	99-1582	1	Handle-Control
3	99-1595	1	Retainer-Cable, Brake
4	98-2682	1	Screw-High-Low, 1/4-15
5	99-1589	1	Lever-Traction
6	99-1588	1	Bar-Control, Traction
7	99-6008	1	Retainer-Control Rod, Traction
8	94-4496	10	Screw-PPH
9	100-1186	1	Cable-Brake
11	321-50	1	Screw-HH
12	99-5239	1	Anchor-Cable
13	3256-1	1	Washer-Flat
14	3296-73	2	Nut-Lock, NI
15	99-1584	1	Cable-Traction
16	99-5248-03	2	Latch-Handle
17	27-7210	2	Screw-Shoulder
18	100-2894	1	Tie-Cable
19	3296-47	1	Nut-Lock, NI
20	3296-72	3	Nut-Lock, NI
21	3-3287	2	Spacer-Latch, Handle
22	27-7211	2	Screw-Shoulder
23	99-5249-05	1	Handle-Lower
24	98-7134	4	Knob-Handle
25	99-6019	2	Screw-CARR

Ref. No.	Part No.	Qty.	Description
26	92-2260	2	Screw-Handle
27	99-1596-05	1	Handle-Upper
28	86-9671	1	Guide-Rope
29	99-1590	2	Guide-Handle, Control
30	99-6339	1	Cover-Handle
31	99-1592	1	Spring-Torsion, RH
32	99-6009	1	Decal - Console



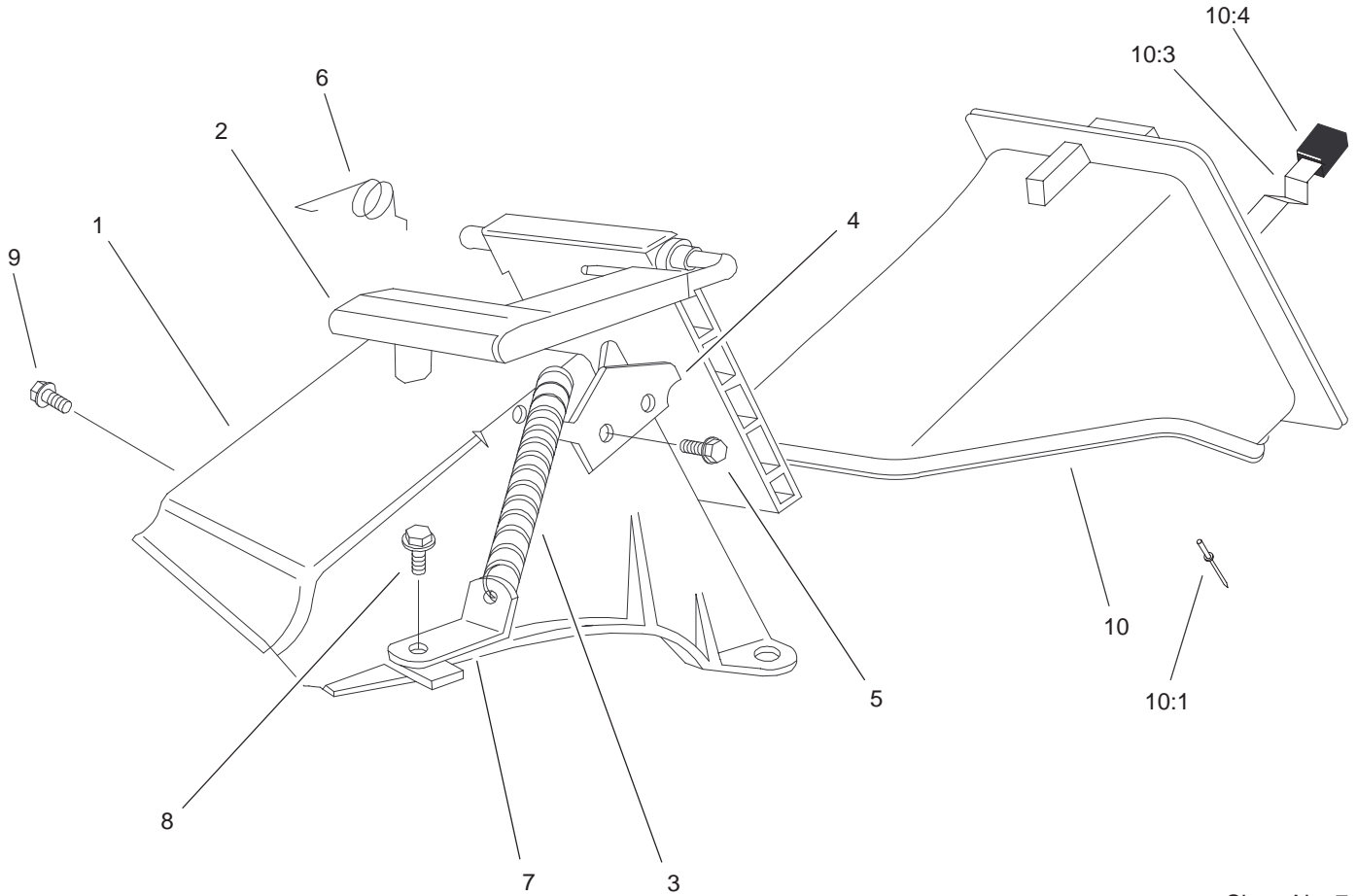
Sheet No.:6

Battery and Switch Assembly

Ref. No.	Part No.	Qty.	Description
1	63-8360	1	Key-Ignition
4	104-8692	1	Mount-Switch
5	46-5780	1	Switch-Starter
5:1	3254-5	1	Washer-Lock, Internal
5:2	218-461	1	Nut-HH
6	104-7953	1	Decal-Harness
7	104-7682	1	Battery ASM-Panasonic
7:1	104-7900	1	Box-Battery
7:2	104-7901	1	Cover-Battery
7:3	104-7903	1	Battery-Panasonic, 12v
8	104-7921	1	Harness-Wire,Tc
9	37-7262	1	Screw-Special
10	32144-32	1	Screw
11	104-7401	1	Charger-12 Volt
*13	99-6124	2	Fuse-40 Amp

Ref. No.	Part No.	Qty.	Description

* Not illustrated

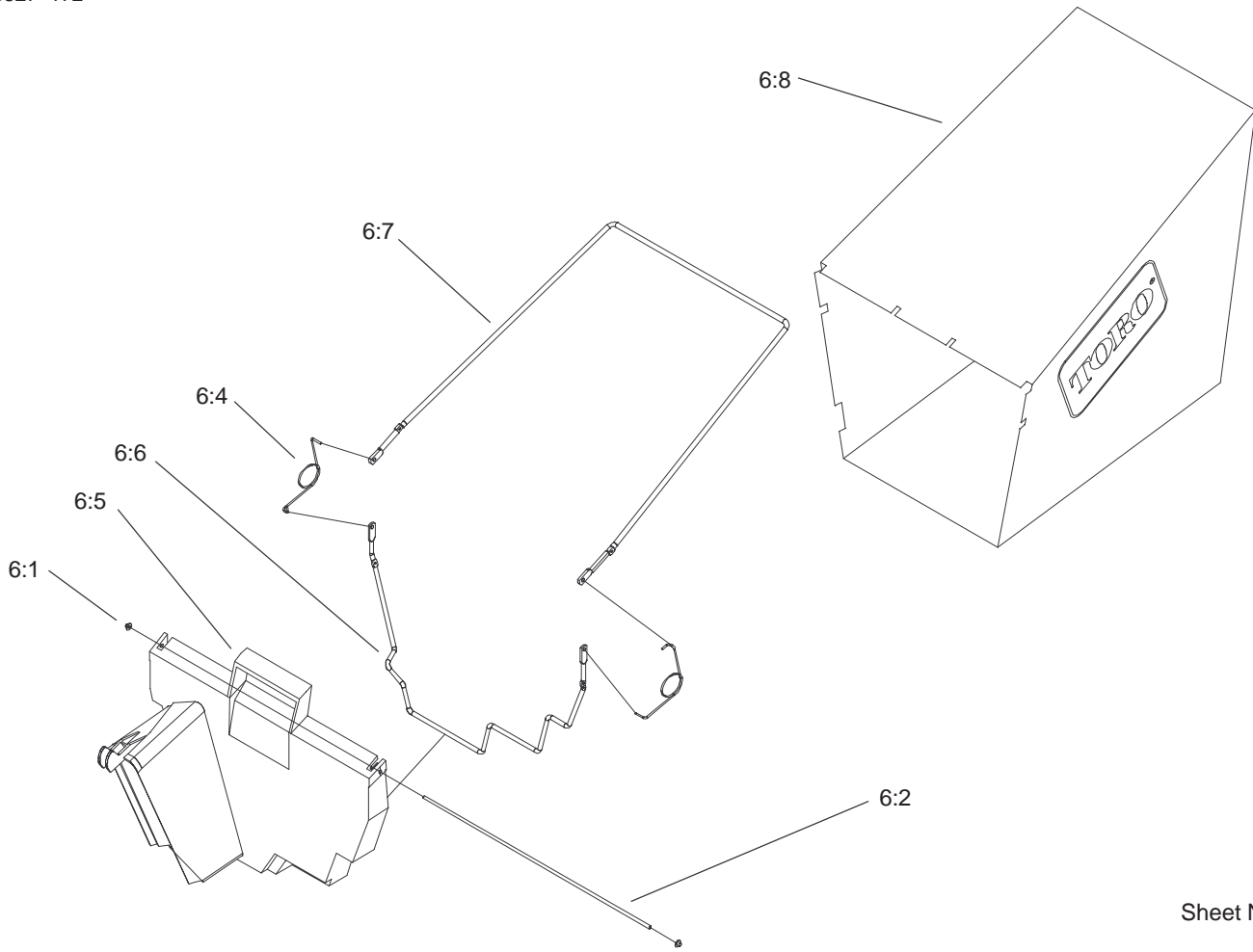


Sheet No.:7

Rear Bag Discharge Chute Assembly

Ref. No.	Part No.	Qty.	Description
1	82-9153	1	Tunnel-Discharge
2	93-7351	1	Discharge Door ASM
3	76-4660	1	Spring-Door
4	93-3154	1	Latch-Plate
5	46-8090	2	Screw-Plastite
6	80-3770	1	Retainer-Door
7	71-9350	1	Bracket-Spring
8	46-6811	3	Screw-HWH
9	46-6810	1	Screw & Washer ASM
10	77-0500	1	Discharge Plug ASM
10:1	3295-35	1	Rivet-Head, Flat
10:3	76-4640	1	Latch-Plug, Discharge
10:4	76-4650	1	Grip-Latch

Ref. No.	Part No.	Qty.	Description



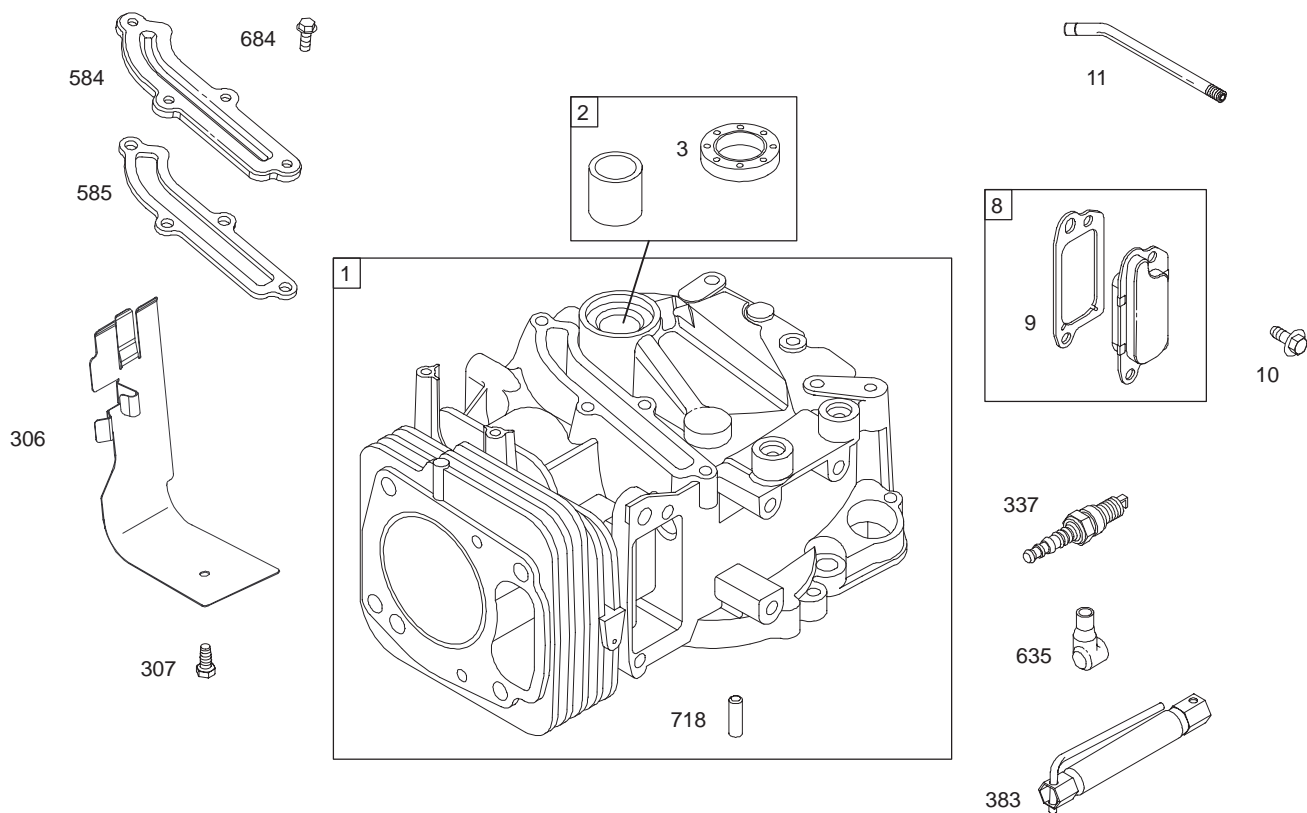
Sheet No.:8

Rear Bagger Assembly

Ref. No.	Part No.	Qty.	Description
*6	11-0189	1	Grass Bag ASM
6:1	3290-422	2	Nut-Push
6:2	33-4820	1	Hinge-Door, Bag
6:4	36-6910	2	Spring
6:5	37-1393	1	Door-Bag
6:6	42-4020	1	Frame-Bag
6:7	42-4030	1	Frame-Bag, Upper
6:8	44-0522	1	Bag-Grass

Ref. No.	Part No.	Qty.	Description

* Not illustrated



Assemblies include all parts shown in frames.

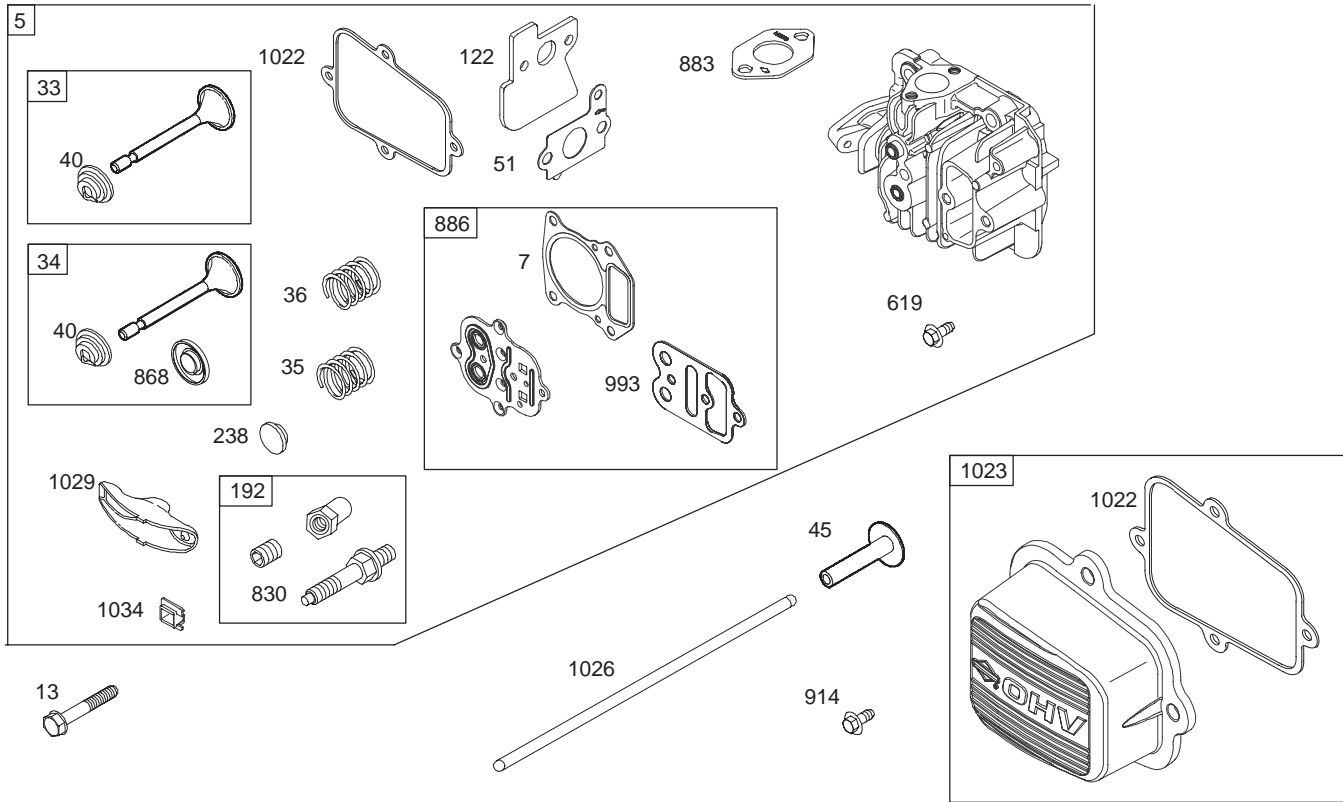
Cylinder Assembly Engine Briggs and Stratton Model 122607-0118-E1

Ref. No.	Part No.	Qty.	Description
1	499678	1	Cylinder Assembly
2	399269	1	Kit-Bushing/Seal (Magneto Side)
★3	299819	1	Seal-Oil (Magneto Side)
8	495786	1	Breather Assembly
△★9	272481	1	Valve Cover Gasket
10	691125	1	Screw (Breather Assembly)
11	691260	1	Breather Tube
306	691232	1	Shield-Cylinder
307	690345	1	Screw (Cylinder Shield)
337	692051	1	Sparkplug
383	19374	1	Wrench-Sparkplug
584	692342	1	Cover-Breather Passage
★585	691879	1	Gasket-Breather Passage
635	66538	1	Boot-Sparkplug
684	690345	1	Screw (Breather Passage Gasket)
718	690959	1	Pin-Locating

Ref. No.	Part No.	Qty.	Description
1058	274979	1	Owner's Manual

△ Included in Valve Gasket Set-Ref. 1095.

★ Included in Engine Gasket Set-Ref. 358.



Assemblies include all parts shown in frames.

Cylinder Head Assembly Engine Briggs and Stratton Model 122607-0118-E1

Ref. No.	Part No.	Qty.	Description
5	695276	1	Head-Cylinder
Δ★7	695166	1	Gasket-Cylinder Head
13	691137	1	Screw
33	499642	1	Valve-Exhaust
34	499641	1	Valve-Intake
35	691304	1	Spring-Valve (Intake)
36	691304	1	Spring-Valve (Exhaust)
40	692194	1	Retainer-Valve
45	690977	1	Tappet-Valve
Δ★◆51	692668	1	Gasket-Intake
Δ★◆122	692799	1	Spacer-Carburetor
192	694543	1	Adjuster-Rocker Arm
238	691300	1	Cap-Valve
619	691108	1	Screw (Cylinder Head Plate)
830	694544	1	Stud-Rocker Arm
Δ★868	692044	1	Seal-Valve
Δ★883	691893	1	Gasket-Exhaust
886	696268	1	Gasket Kit-Cylinder Head/Plate

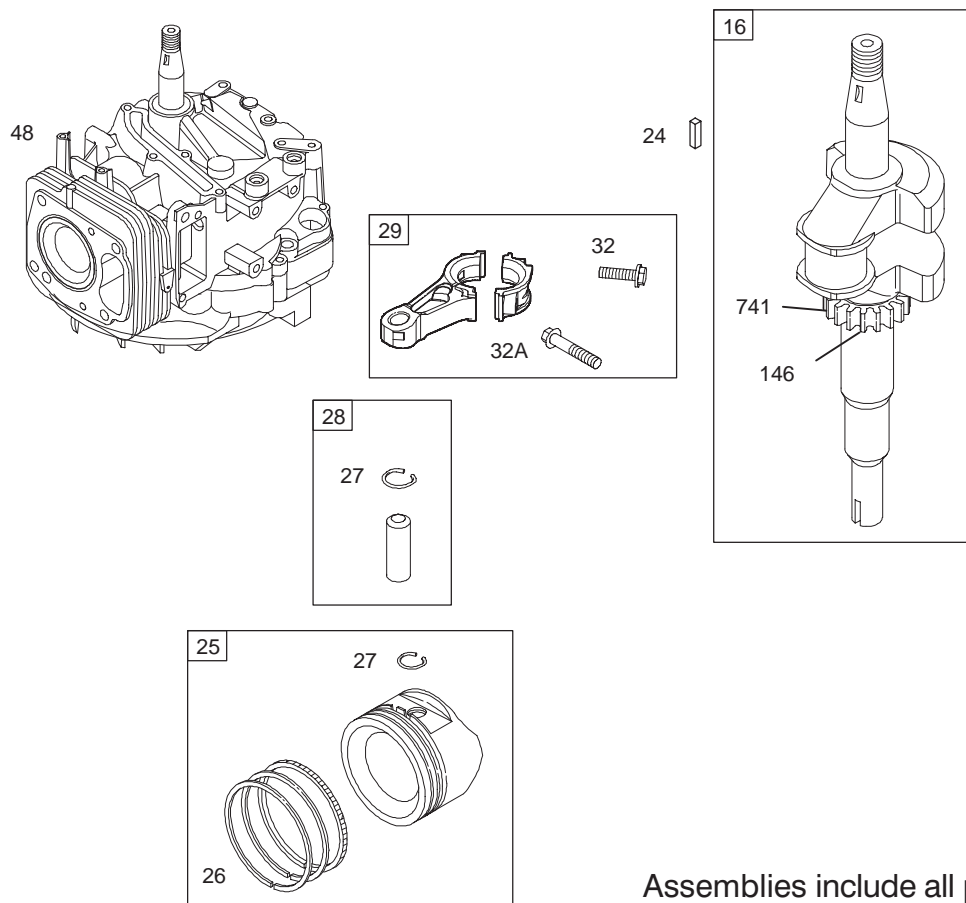
Ref. No.	Part No.	Qty.	Description
914	693398	1	Screw (Rocker Cover)
Δ★993	694088	1	Gasket-Cylinder Head Plate
Δ★1022	692694	1	Gasket-Rocker Cover
1023	690214	1	Cover-Rocker
1026	692045	1	Rod-Push
1029	691230	1	Arm-Rocker
1034	691343	1	Guide-Push Rod

Δ Included in Valve Gasket Set-Ref. 1095.

◆ Included in Carburetor Overhaul Kit-Ref. 121.

★ Included in Engine Gasket Set-Ref. 358.

◆ Included in Carburetor Gasket Set-Ref. 977.

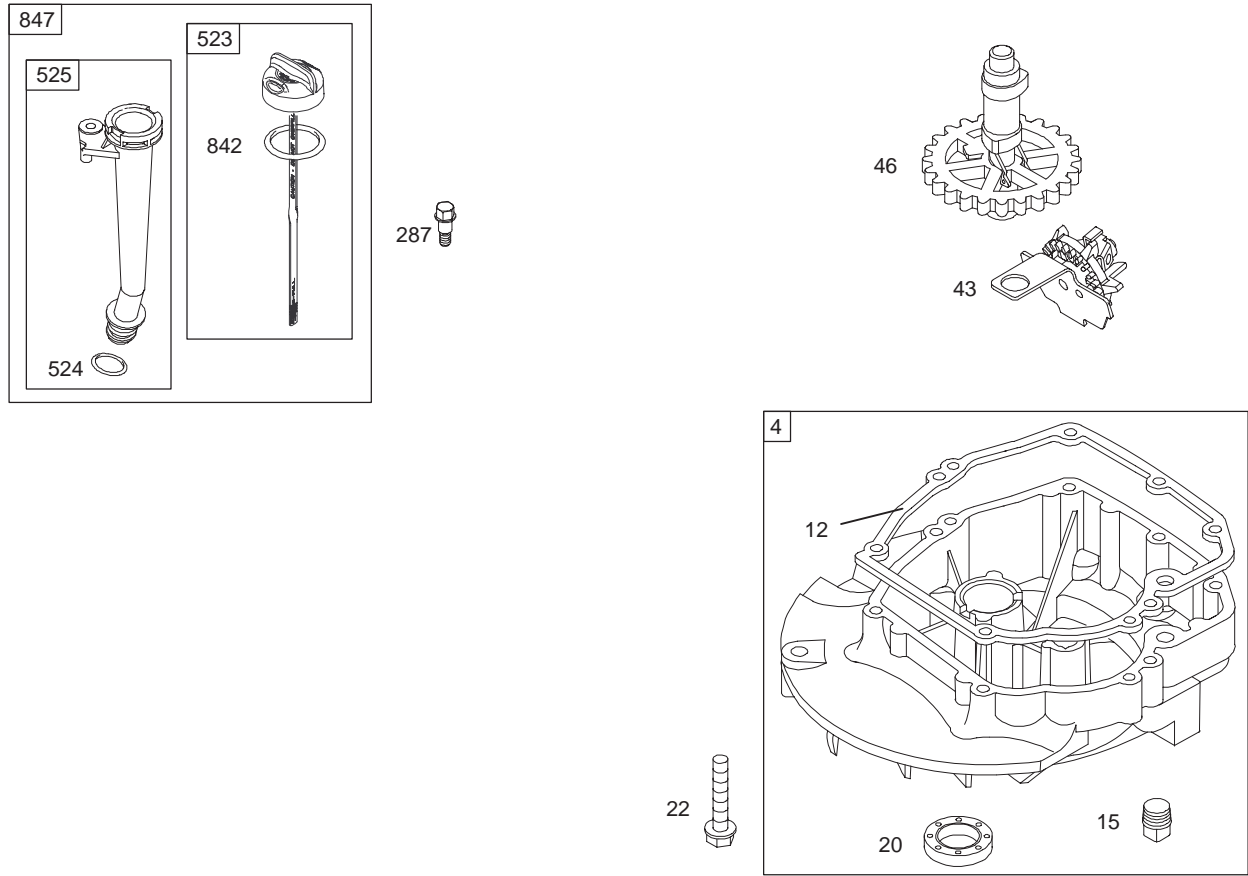


Assemblies include all parts shown in frames.

Crankshaft Assembly Engine Briggs and Stratton Model 122607-0118-E1

Ref. No.	Part No.	Qty.	Description
16	695950	1	Crankshaft
24	222698	1	Key-Flywheel
25	499627	1	Piston Assembly (Standard)
	692788	1	Piston Assembly (.010" Oversize)
	692789	1	Piston Assembly (.020" Oversize)
	692790	1	Piston Assembly (.030" Oversize)
26	499631	1	Ring Set (Standard)
	692785	1	Ring Set (.010" Oversize)
	692786	1	Ring Set (.020" Oversize)
	692787	1	Ring Set (.030" Oversize)
27	691866	1	Lock-Piston Pin
28	499423	1	Pin-Piston
29	499424	1	Rod-Connecting
32	691664	1	Screw (Connecting Rod)

Ref. No.	Part No.	Qty.	Description
32A	695759	1	Screw (Connecting Rod)
48	694898	1	Short Block
146	690979	1	Key-Timing
741	691830	1	Gear-Timing



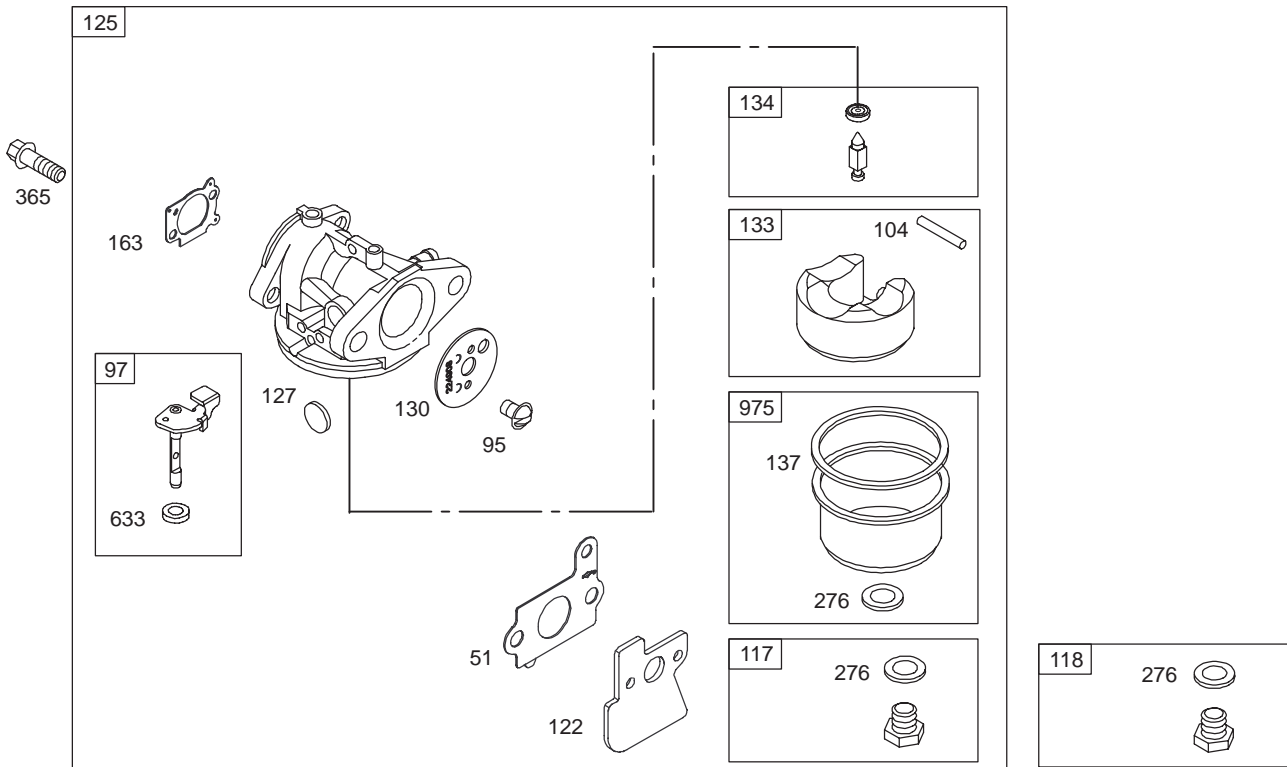
Assemblies include all parts shown in frames.

Crankcase Assembly Engine Briggs and Stratton Model 122607-0118-E1

Ref. No.	Part No.	Qty.	Description
4	499619	1	Sump-Engine
★12	692232	1	Gasket-Crankcase
15	691680	1	Plug-Oil Drain
★20	399781	1	Seal-Oil (PTO Side)
22	691092	1	Screw (Engine Sump)
43	691997	1	Slinger-Governor/Oil
46	694039	1	Camshaft
287	690940	1	Screw (Dipstick Tube)
523	499621	1	Tube-Dipstick
★524	692296	1	Seal-Dipstick Tube
525	495265	1	Tube-Dipstick
★842	691031	1	Seal-O Ring (Dipstick Tube)
847	692047	1	Assembly-Dipstick/ Tube

Ref. No.	Part No.	Qty.	Description

★ Included in Engine Gasket Set-Ref. 358.



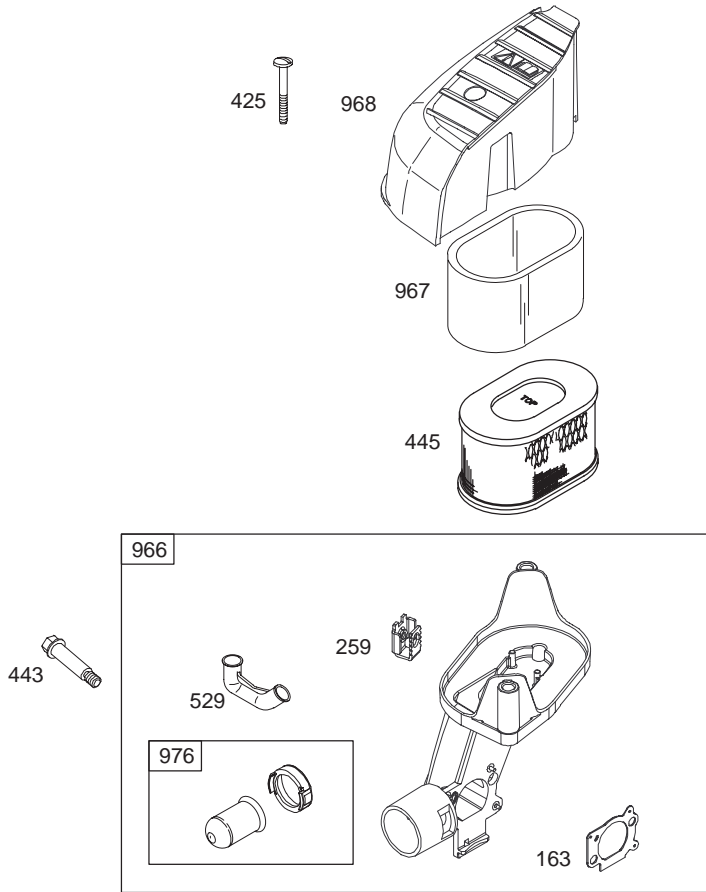
Carburetor Assembly Engine Briggs and Stratton Model 122607-0118-E1

Ref. No.	Part No.	Qty.	Description
Δ★◆51	692668	1	Gasket-Intake
95	691636	1	Screw (Throttle Valve)
97	499682	1	Shaft-Throttle
●104	691242	1	Pin-Float Hinge
117	498978	1	Jet-Main (Standard)
118	498975	1	Jet-Main (High Altitude)
Δ★◆122	692799	1	Spacer-Carburetor
125	694202	1	Carburetor
●127	694468	1	Plug-Welch
130	691203	1	Valve-Throttle
133	398187	1	Float-Carburetor
●134	398188	1	Kit-Needle/Seat
◆137	693981	1	Gasket-Float Bowl
Δ★◆163	691894	1	Gasket-Air Cleaner
●◆276	271716	1	Washer-Sealing
365	691136	1	Screw (Carburetor)
●◆633	691321	1	Seal-Choke-Throttle Shaft
975	493640	1	Bowl-Float

Ref. No.	Part No.	Qty.	Description

Δ Included in Valve Gasket Set-Ref. 1095.
★ Included in Engine Gasket Set-Ref. 358.

● Included in Carburetor Overhaul Kit-Ref. 121.
◆ Included in Carburetor Gasket Set-Ref. 977.



Assemblies include all parts shown in frames.

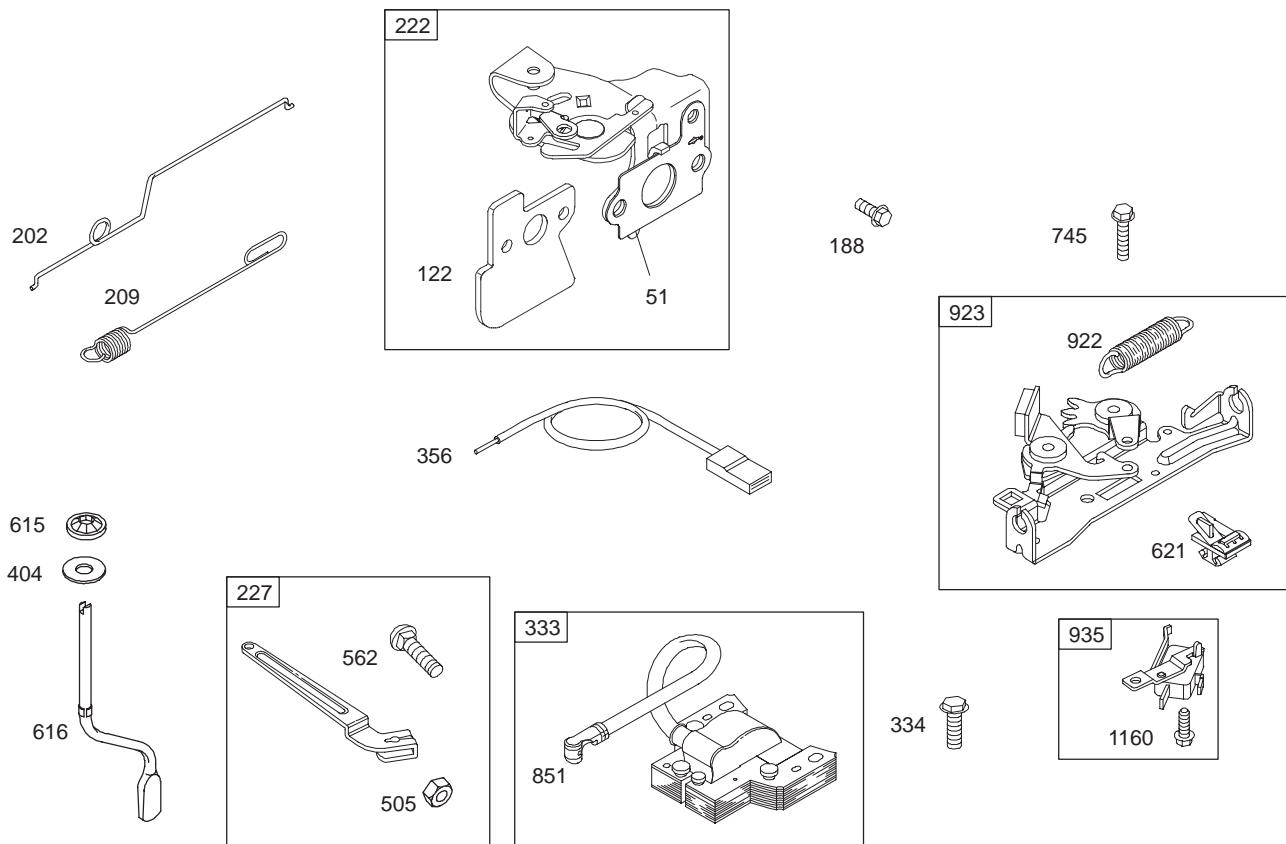
Air Cleaner Assembly Engine Briggs and Stratton Model 122607-0118-E1

Ref. No.	Part No.	Qty.	Description
Δ★◆163	691894	1	Gasket-Air Cleaner
259	691189	1	Bracket-Casing Clamp
425	690244	1	Screw (Air Cleaner Cover)
443	690255	1	Screw (Air Cleaner Primer Bracket)
445	690610	1	Filter-Air Cleaner Cartridge
529	692937	1	Grommet
966	690243	1	Base-Air Cleaner Primer
967	273356	1	Filter-Pre Cleaner
968	692692	1	Cover-Air Cleaner
976	694395	1	Primer-Carburetor

Ref. No.	Part No.	Qty.	Description

Δ Included in Valve Gasket Set-Ref. 1095.
★ Included in Engine Gasket Set-Ref. 358.

◆ Included in Carburetor Overhaul Kit-Ref. 121.
◆ Included in Carburetor Gasket Set-Ref. 977.



Assemblies include all parts shown in frames.

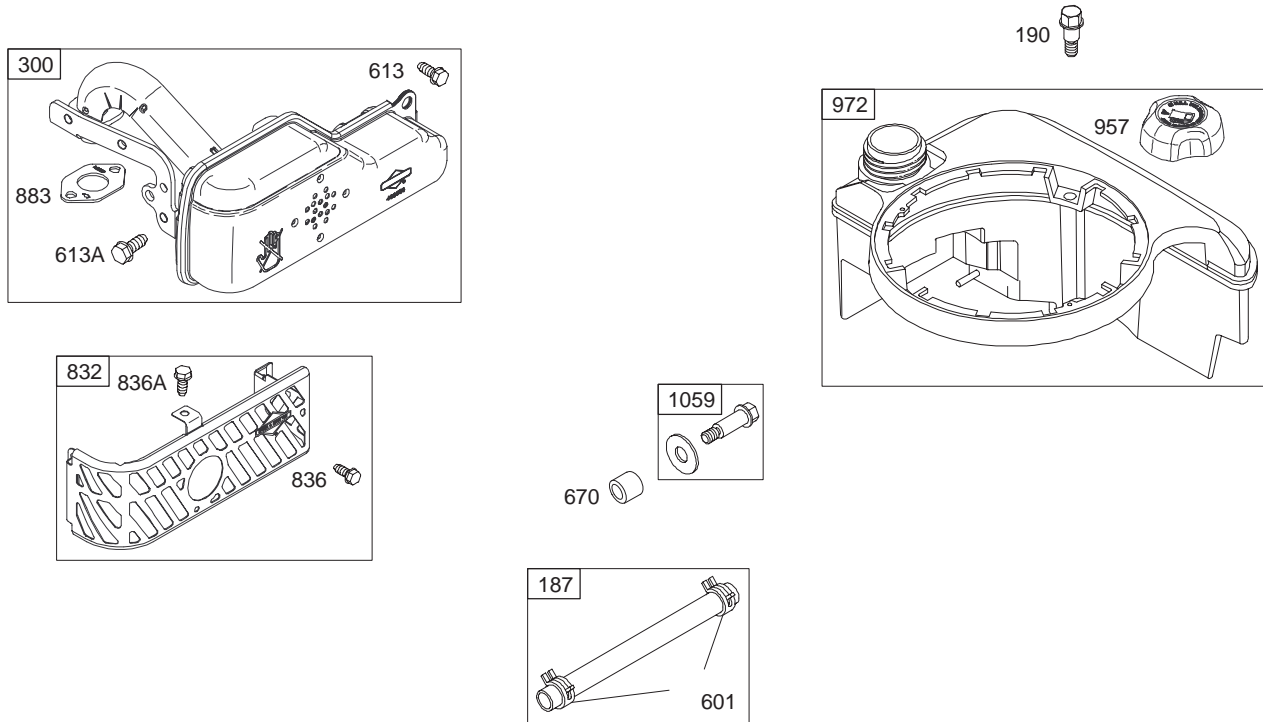
Governor Assembly Engine Briggs and Stratton Model 122607-0118-E1

Ref. No.	Part No.	Qty.	Description
△★◆51	692668	1	Gasket-Intake
△★◆122	692799	1	Spacer-Carburetor
188	693168	1	Screw (Control Bracket)
202	691303	1	Link-Mechanical Governor
209	690319	1	Spring-Governor
222	692723	1	Bracket-Control
227	691467	1	Lever-Governor Control
333	802574	1	Armature-Magneto
334	691061	1	Screw (Magneto Armature)
356	692390	1	Wire-Stop
404	690272	1	Washer (Governor Crank)
505	231082	1	Nut (Governor Control Lever)
562	94852	1	Screw (Governor Control Lever)
615	690340	1	Retainer-Governor Shaft

Ref. No.	Part No.	Qty.	Description
616	691308	1	Crank-Governor
621	692310	1	Switch-Stop
745	691648	1	Screw (Brake)
851	493880	1	Terminal-Sparkplug
922	691831	1	Spring-Brake
923	691994	1	Brake Assembly
935	499421	1	Switch-Interlock
1160	691627	1	Screw (Interlock Switch)

△ Included in Valve Gasket Set-Ref. 1095.
★ Included in Engine Gasket Set-Ref. 358.

◆ Included in Carburetor Overhaul Kit-Ref. 121.
◆ Included in Carburetor Gasket Set-Ref. 977.



Assemblies include all parts shown in frames.

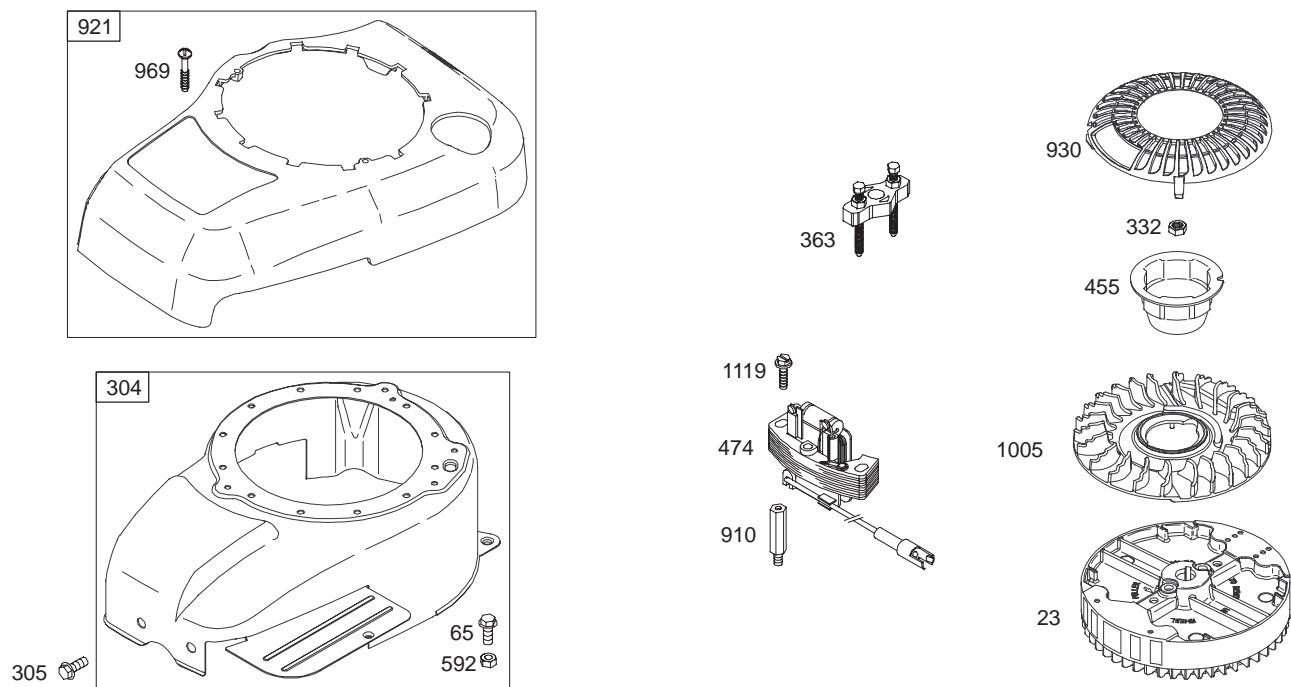
Muffler and Fuel Tank Assembly Engine Briggs and Stratton Model 122607-0118-E1

Ref. No.	Part No.	Qty.	Description
187	691050	1	Line-Fuel
190	690940	1	Screw (Fuel Tank)
300	694248	1	Muffler
601	95162	1	Clamp-Hose
613	691108	1	Screw (Muffler)
613A	691140	1	Screw (Muffler)
670	692294	1	Spacer-Fuel Tank
832	691466	1	Guard-Muffler
836	690960	1	Screw (Muffler Guard)
836A	691147	1	Screw (Muffler Guard)
Δ★883	691893	1	Gasket-Exhaust
957	692046	1	Cap-Fuel Tank
972	499618	1	Tank-Fuel
1059	692311	1	Kit-Screw/Washer

Ref. No.	Part No.	Qty.	Description

Δ Included in Valve Gasket Set-Ref. 1095.

★ Included in Engine Gasket Set-Ref. 358.



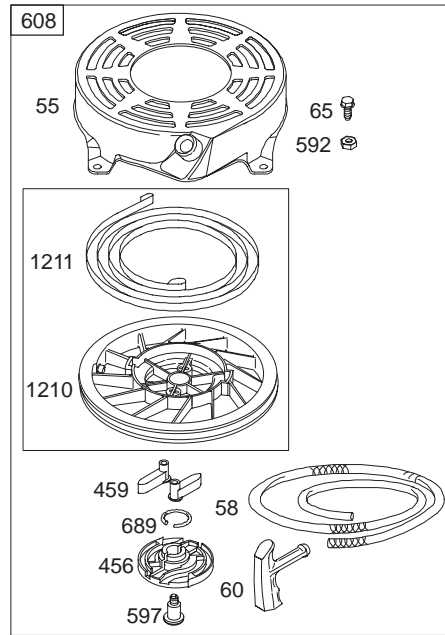
1036 Emission Label

Assemblies include all parts shown in frames.

Blower Housing Assembly Engine Briggs and Stratton Model 122607-0118-E1

Ref. No.	Part No.	Qty.	Description
23	696569	1	Flywheel
65	690837	1	Screw (Rewind Starter)
304	499677	1	Housing-Blower
305	690960	1	Screw (Blower Housing)
332	690662	1	Nut (Flywheel)
363	19069	1	Puller-Flywheel
455	695161	1	Cup-Flywheel
474	691991	1	Alternator
592	690800	1	Nut (Rewind Starter)
910	691094	1	Stud (Alternator)
921	692699	1	Cover-Blower Housing
930	692691	1	Guard-Rewind
969	691138	1	Screw (Blower Housing Cover)
1005	691346	1	Fan-Flywheel
1036	696767	1	Label-Emission
1119	691648	1	Screw (Alternator)

Ref. No.	Part No.	Qty.	Description

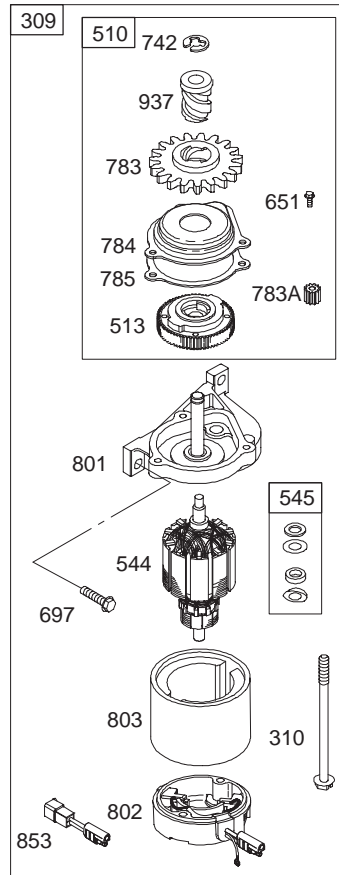


Assemblies include all parts shown in frames.

Starter Assembly Engine Briggs and Stratton Model 122607-0118-E1

Ref. No.	Part No.	Qty.	Description
55	691421	1	Housing-Rewind Starter
58	280399	1	Rope-Starter (Cut to Required Length)
60	281434	1	Grip-Starter Rope
65	690837	1	Screw (Rewind Starter)
456	692299	1	Plate-Pawl Friction
459	281505	1	Pawl-Ratchet
592	690800	1	Nut (Rewind Starter)
597	691696	1	Screw (Pawl Friction Plate)
608	497680	1	Starter-Rewind
689	691855	1	Spring-Friction
1210	498144	1	Pulley/Spring Assembly (Pulley)
1211	498144	1	Pulley/Spring Assembly (Spring)

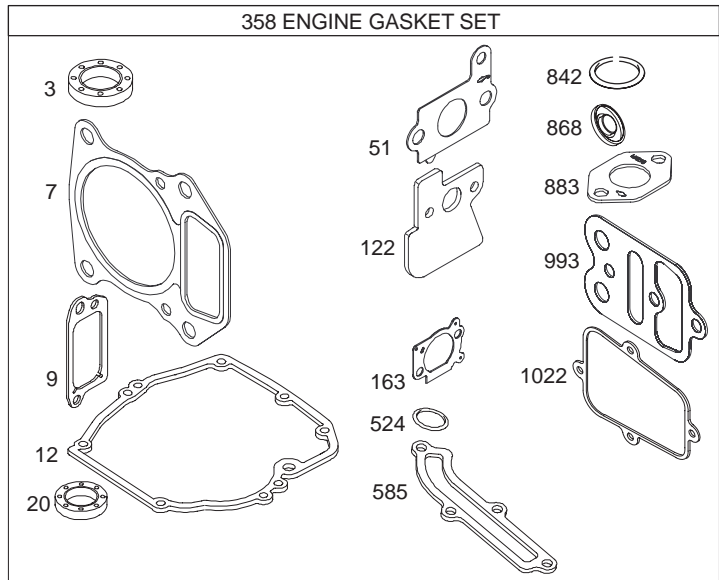
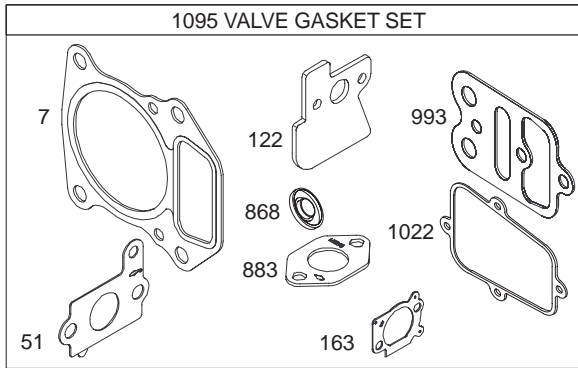
Ref. No.	Part No.	Qty.	Description



Assemblies include all parts shown in frames.

Starter Assembly Engine Briggs and Stratton Model 122607-0118-E1

Ref. No.	Part No.	Qty.	Description	Ref. No.	Part No.	Qty.	Description
309	695550	1	Motor-Starter				
310	692327	1	Bolt (Starter Motor)				
510	494147	1	Drive-Starter				
513	692358	1	Clutch-Drive				
544	690786	1	Armature-Starter				
545	492919	1	Washer Set				
651	690345	1	Screw (Starter Gear Cover)				
697	691127	1	Screw (Drive Cap)				
742	93941	1	Retainer-E Ring				
783	691918	1	Gear-Pinion				
783A	691269	1	Gear-Pinion				
784	692341	1	Cover-Gear				
785	692352	1	Gasket-Starter Cover				
801	690782	1	Cap-Drive				
802	695267	1	Cap-End				
803	695266	1	Housing-Starter				
853	695268	1	Adapter-Wire				
937	691325	1	Spline-Starter				



Assemblies include all parts shown in frames.

Gasket Assembly Engine Briggs and Stratton Model 122607-0118-E1

Ref. No.	Part No.	Qty.	Description
★3	299819	1	Seal-Oil
Δ★7	695166	1	Gasket-Cylinder Head
★9	272481	1	Gasket-Breather
★12	692232	1	Gasket-Crankcase
★20	399781	1	Seal-Oil (PTO Side)
Δ★◆51	692668	1	Gasket-Intake
Δ★◆122	692799	1	Spacer-Carburetor
Δ★◆163	691894	1	Gasket-Air Cleaner
358	694090	1	Gasket Set-Engine
★524	692296	1	Seal-Dipstick Tube
★585	691879	1	Gasket-Breather Passage
★842	691031	1	Seal-O Ring (Dipstick Tube)
Δ★868	692044	1	Seal-Valve
Δ★883	691893	1	Gasket-Exhaust
Δ★993	694088	1	Gasket-Cylinder Head Plate
Δ★1022	691890	1	Gasket-Rocker Cover
1095	694091	1	Gasket Set_Valve

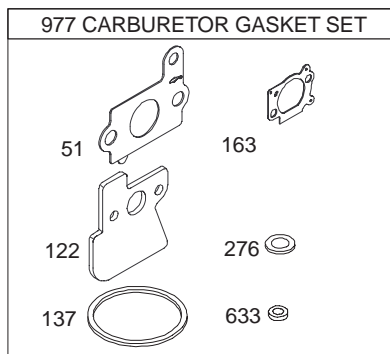
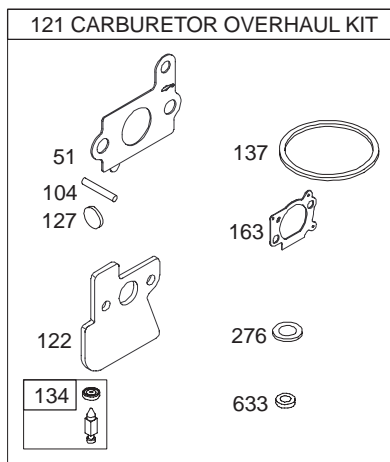
Ref. No.	Part No.	Qty.	Description

Δ Included in Valve Gasket Set-Ref. 1095.

★ Included in Engine Gasket Set-Ref. 358.

◆ Included in Carburetor Overhaul Kit-Ref. 121.

◆ Included in Carburetor Gasket Set-Ref. 977.



Assemblies include all parts shown in frames.

Carburetor Overhaul Kit Assembly Engine Briggs and Stratton Model 122607-0118-E1

Ref. No.	Part No.	Qty.	Description
Δ★◆51	692668	1	Gasket-Intake
●104	691242	1	Pin-Float Hinge
121	692703	1	Kit-Carburetor Overhaul
Δ★◆122	692799	1	Spacer-Carburetor
●127	694468	1	Plug-Welch
●134	398188	1	Kit-Needle/Seat
●◆137	693981	1	Gasket-Float Bowl
Δ★◆163	691894	1	Gasket-Air Cleaner
●◆276	271716	1	Washer-Sealing
●◆633	691321	1	Seal-Choke/Throttle Shaft
977	692704	1	Gasket Set-Carburetor

Ref. No.	Part No.	Qty.	Description

Δ Included in Valve Gasket Set-Ref. 1095.
★ Included in Engine Gasket Set-Ref. 358.

● Included in Carburetor Overhaul Kit-Ref. 121.
◆ Included in Carburetor Gasket Set-Ref. 977.

