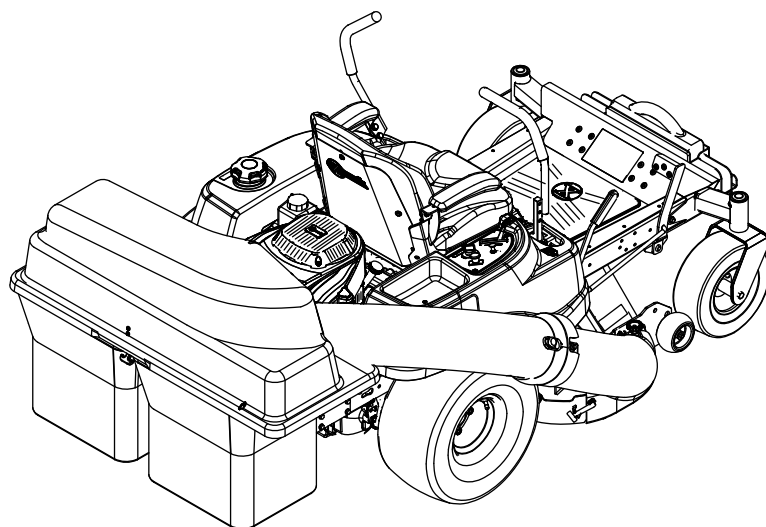




QUEST® BAGGER

Model No. 126-7510—Serial No. 413950474 and Up

Picture below may not reflect actual product.



Parts Manual

Part No. 4506-440 Rev. A

Ordering Replacement Parts

To order replacement parts, please supply the part number, the quantity, and the description of each part desired.

Understanding Reference Numbers

Each identified part in an illustration has a reference number. The reference number for a part also appears in the parts list, along with other information about the part.

This catalog uses two special reference number formats, one to indicate parts in a service assembly and another to indicate the quantity of a given part in an illustration.

Service Assembly Reference Numbers

Parts in service assemblies have reference numbers in the form a:b. The a represents the reference number of the entire service assembly and the b represents a sequential number unique to each part within the service assembly.

For example, a wheel assembly might be identified by reference number 6, the tire by 6:1, the valve by 6:2, and the wheel by 6:3. When you order the assembly identified by reference number 6, you receive all parts identified by reference numbers 6:1, 6:2, and 6:3. However, you may also order any part individually. Reference numbers of this type appear in illustration and in parts lists.

Reference Numbers Indicating Quantity

In an illustration, if a reference number indicates more than one part, the reference number has the form nX y. The n represents the quantity of the part, the X is the multiplication symbol, and the y represents the reference number.

For example, in an illustration, the reference number 2X 37 means that two of the parts identified by reference number 37 are indicated.

Touch Up Paint

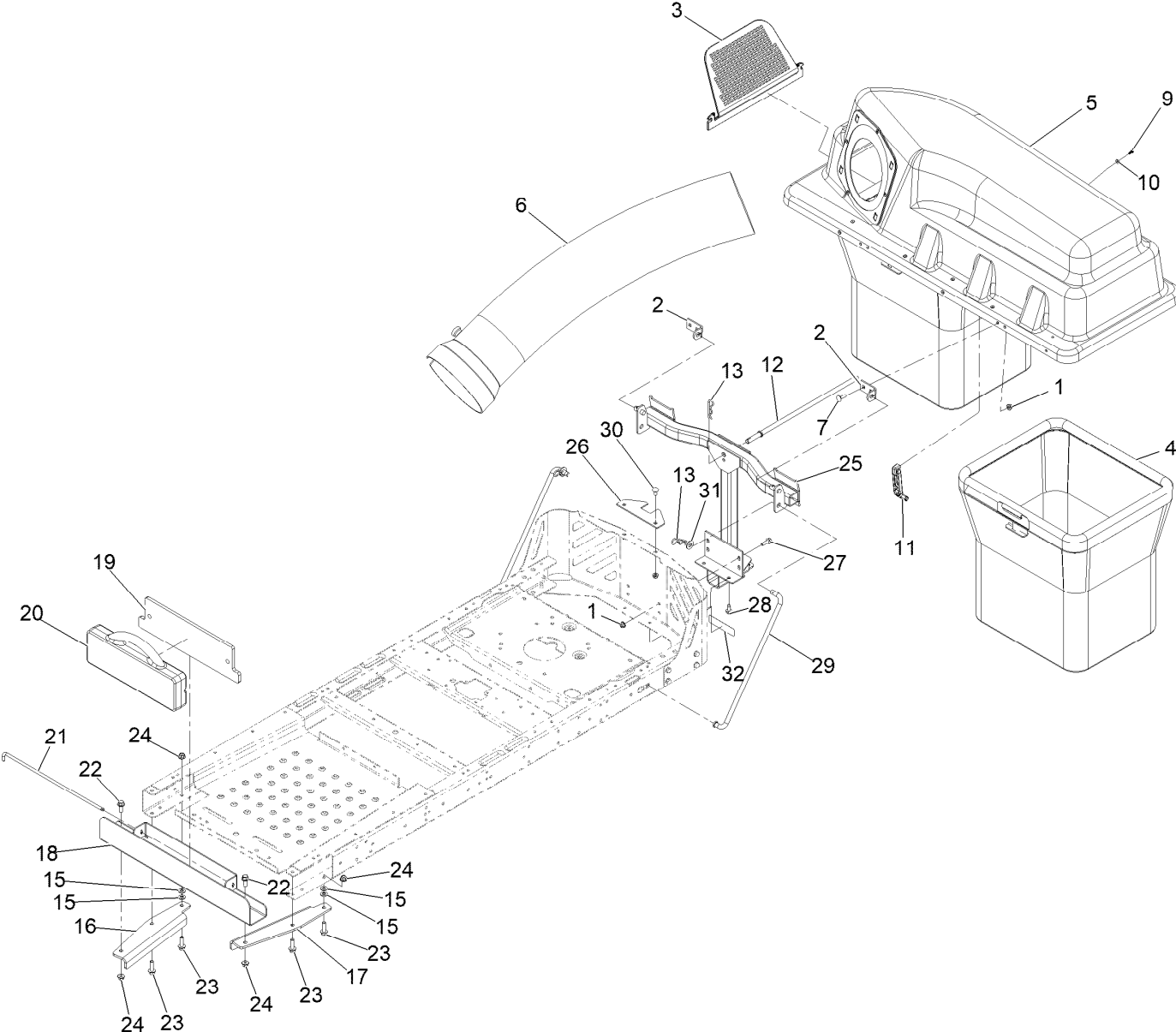
Exmark black touch up spray paint – gloss black.

Exmark red touch up paint (spray paint – P/N 1-850337 - .6 oz liquid bottle – P/N 103-9140).

Contents

- Bagger Assembly 4
- Bag Assembly 6
- Bagger Top Assembly 8
- 50 Inch Chute Mounting Assembly 10
- 50 Inch Chute Assembly No. 121-5651 12

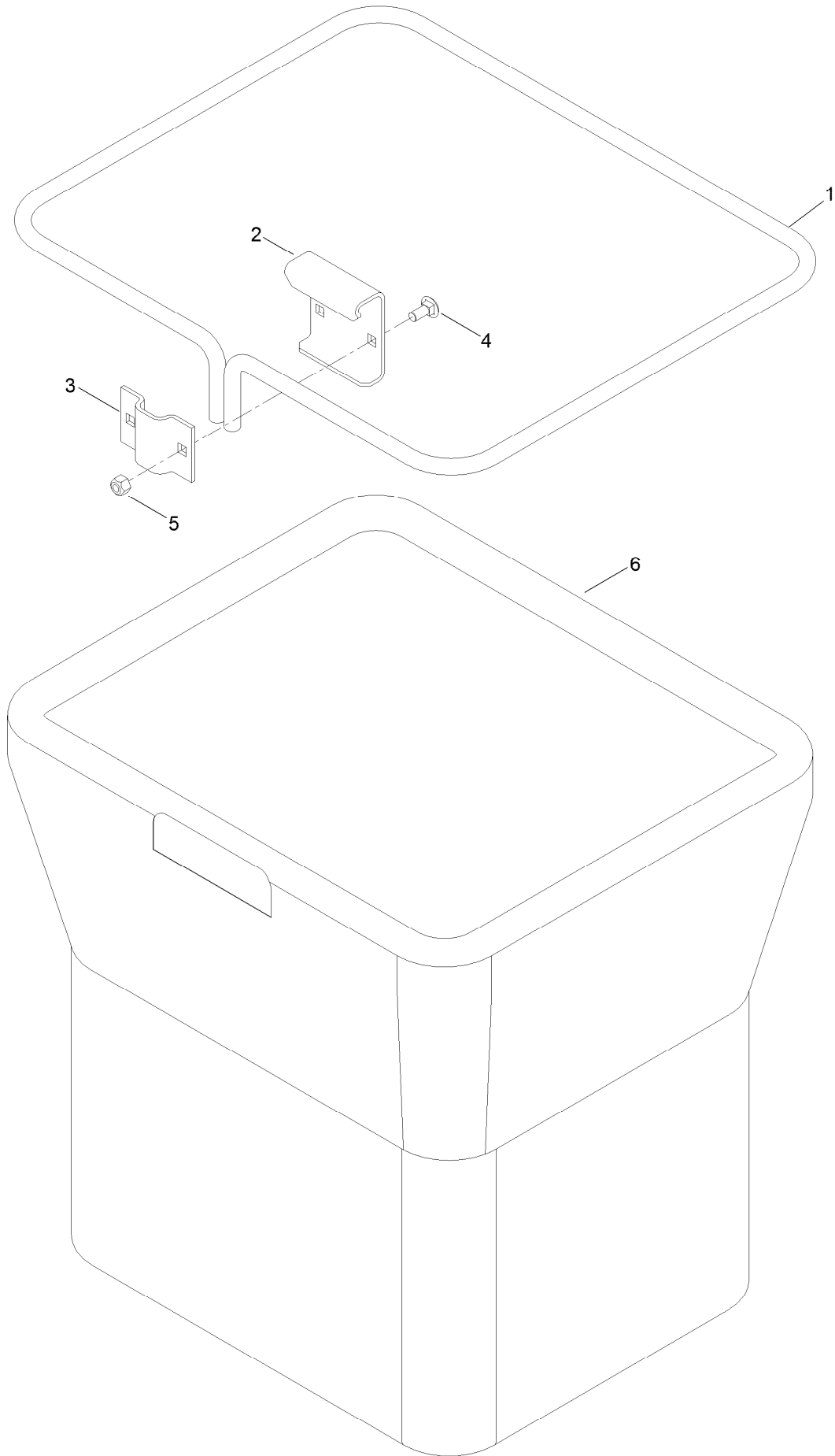
Bagger Assembly



Bagger Assembly (continued)

<i>Ref.</i>	<i>Part Number</i>	<i>Qty.</i>	<i>Description</i>	<i>Ref.</i>	<i>Part Number</i>	<i>Qty.</i>	<i>Description</i>
1	104-8300	8	Nut-Nyloc 5/16-18 Flg	19	120-5495-03	1	Plate
2	112-3987	2	Bracket-Pivot, Hopper	20	109-9742-05	1	Weight-35 Pound
3	112-3993	1	Screen-Bagger	21	109-9759	1	Pin-Weight
4	112-3994	2	Bag ASM	22	3234-42	2	Screw HHF 3/8-16 X 1
5	131-8654	1	Bagger Top ASM	23	119-4061	4	Screw-HHF 3/8-16 X 1 1/4
6	112-3995	1	Tube-Bagger	24	104-8301	4	Nut-Nyloc 3/8-16 Flg
7	3230-2	4	Bolt-Carriage 5/16-18 X 1	25	144-1829-03	1	Frame ASM, Pivot [black]
9	132-6919	2	Screw-Plastic, PTH	26	131-3967-03	1	Bracket-Stabilizer
10	3256-77	2	Washer-Flat	27	3234-29	2	Screw-HH Flg 5/16-18 X 1
11	116-4992	1	Latch-Rubber	28	32144-70	2	Screw-HWH 5/16-18 X 3/4 Tf
12	131-4189	1	Rod-Hood, Down	29	119-8853	2	Rod-Support
13	3290-355	3	Pin-Hair	30	3230-1	2	Bolt-Carriage 5/16-18 X 3/4
15	3256-24	4	Washer-3/8 SAE	31	3256-26	2	Washer-1/2 SAE
16	120-5502-03	1	Bracket-Bagger Weight, RH	32	131-4036	1	Decal
17	120-5497-03	1	Bracket-Bagger Weight, LH				
18	120-5491-03	1	Channel-Weight, Bagger				

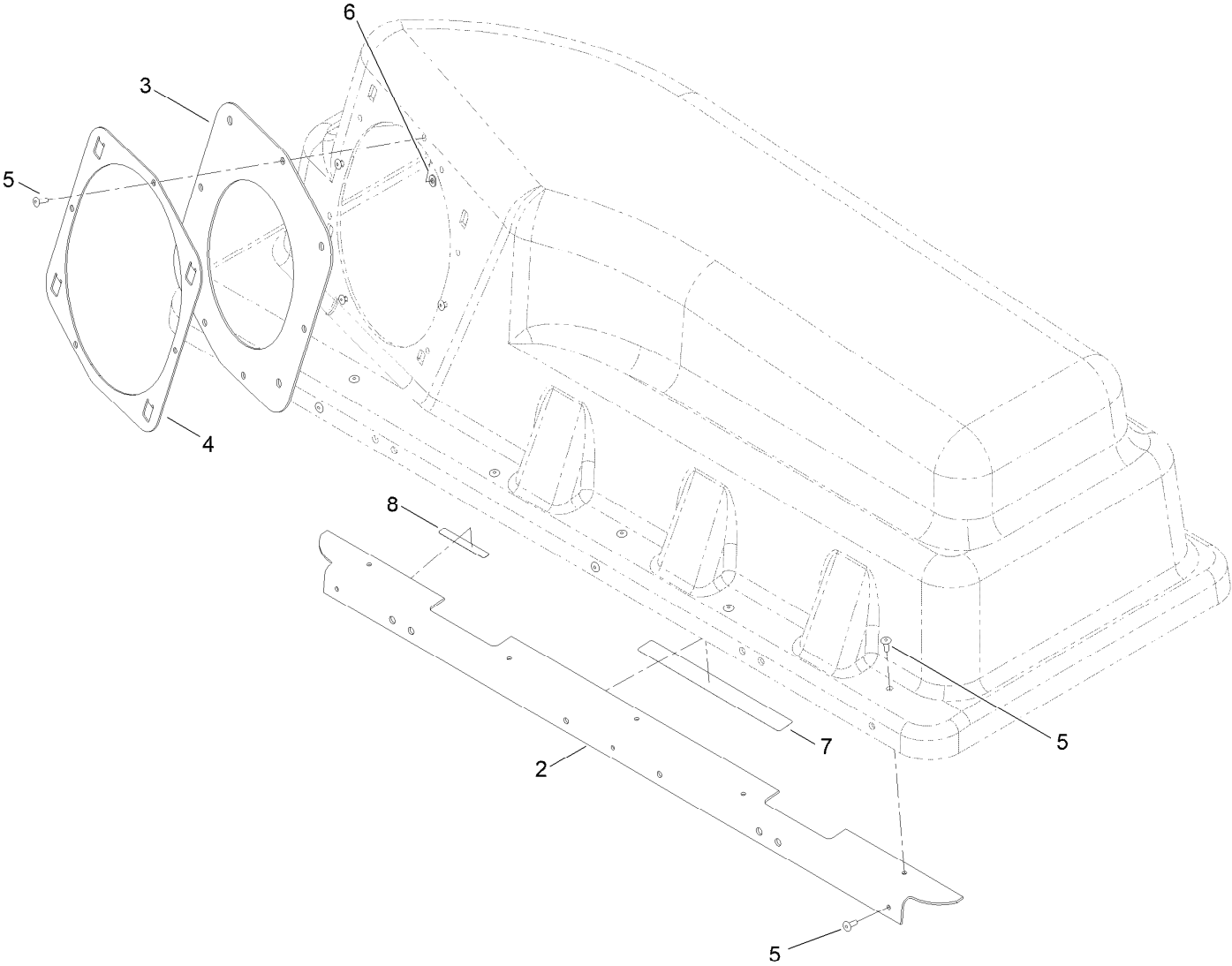
Bag Assembly



Bag Assembly (continued)

<i>Ref.</i>	<i>Part Number</i>	<i>Qty.</i>	<i>Description</i>	<i>Ref.</i>	<i>Part Number</i>	<i>Qty.</i>	<i>Description</i>
1	114972-03	1	Frame-Bag	4	3230-1	2	Bolt-CARR
2	114973-03	1	Hanger-Bag	5	3296-29	2	Nut-Lock, NI
3	114974-03	1	Clamp	6	110-6674	1	Bag

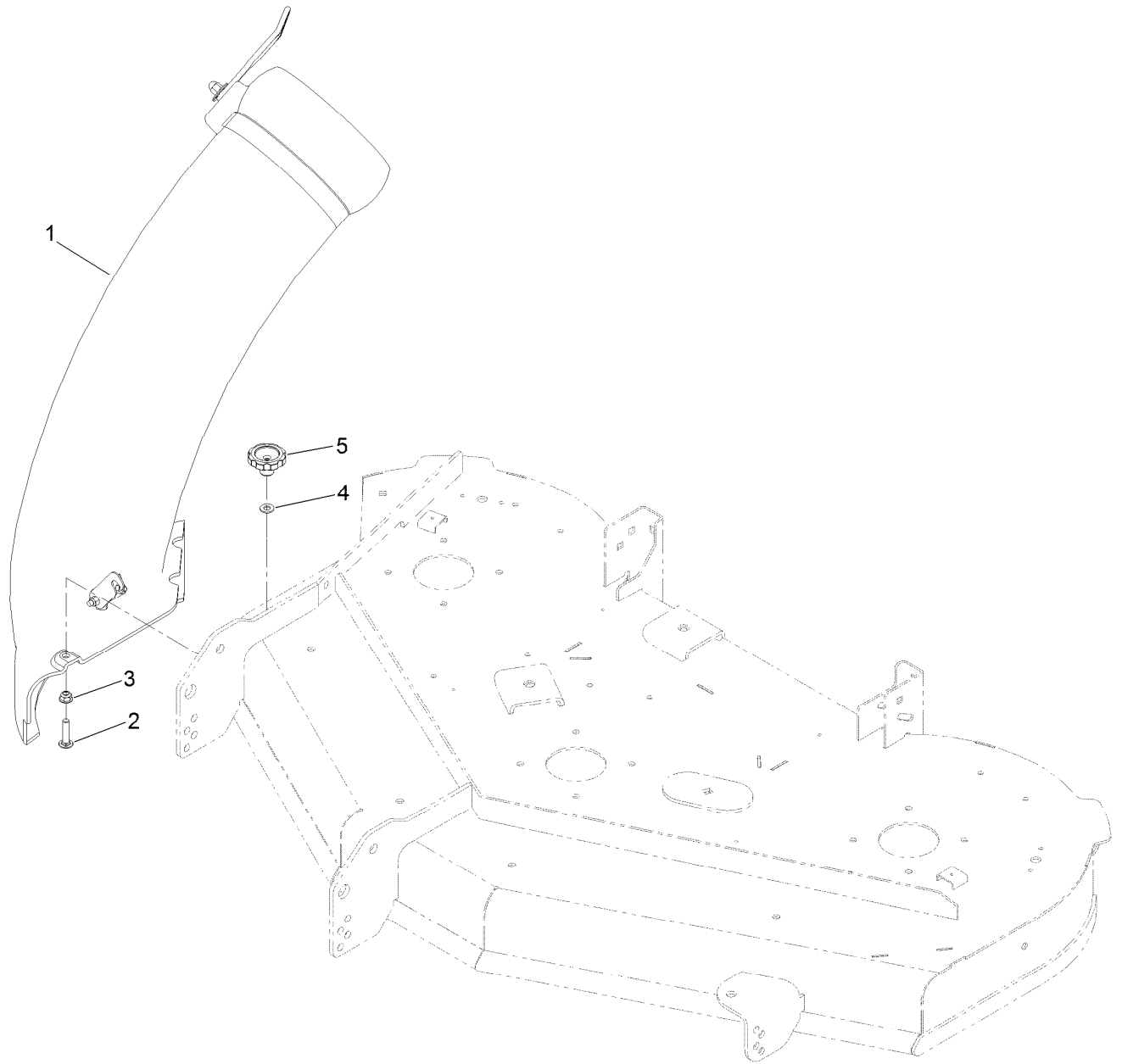
Bagger Top Assembly



Bagger Top Assembly (continued)

<i>Ref.</i>	<i>Part Number</i>	<i>Qty.</i>	<i>Description</i>	<i>Ref.</i>	<i>Part Number</i>	<i>Qty.</i>	<i>Description</i>
2	116-1242-03	1	Stiffener-Bagger Top	6	137-3073	4	Washer-Plain
3	112-4001	1	Gasket	7	109-6809	1	Decal-Caution, Bagger
4	112-4000-03	1	Ring-Retainer	8	133-8061	1	Decal-Warning
5	114439	12	Rivet				

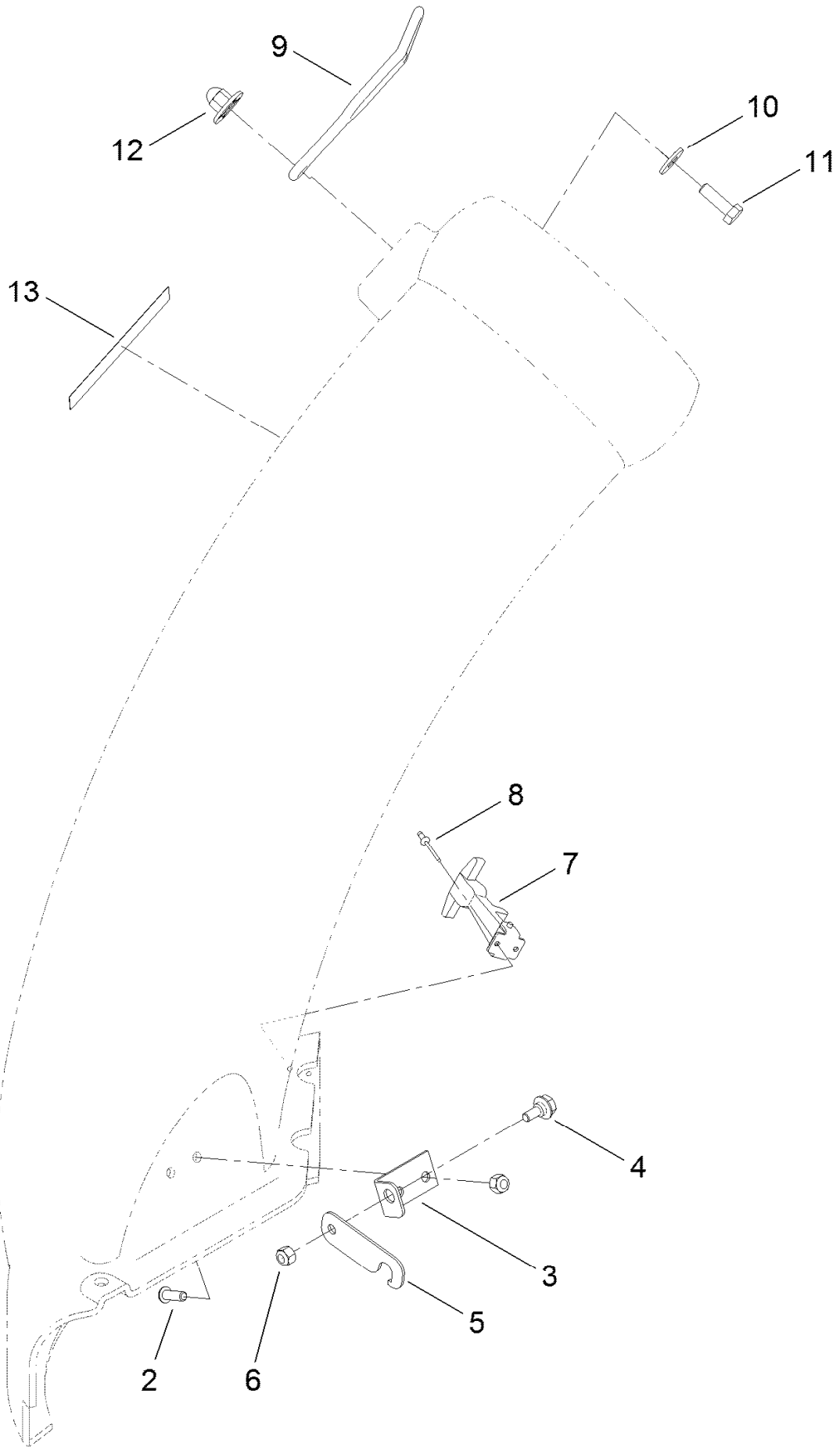
50 Inch Chute Mounting Assembly



50 Inch Chute Mounting Assembly (continued)

<i>Ref.</i>	<i>Part Number</i>	<i>Qty.</i>	<i>Description</i>	<i>Ref.</i>	<i>Part Number</i>	<i>Qty.</i>	<i>Description</i>
1	121-5651	1	50 Inch Chute ASM	4	3256-23	1	Washer-Plain
2	112-6950	1	Screw-CARR	5	19-4050	1	Knob
3	104-8300	1	Nut-HF, NI				

50 Inch Chute Assembly No. 121-5651



50 Inch Chute Assembly No. 121-5651 (continued)

<i>Ref.</i>	<i>Part Number</i>	<i>Qty.</i>	<i>Description</i>	<i>Ref.</i>	<i>Part Number</i>	<i>Qty.</i>	<i>Description</i>
2	3274-69	2	Screw-HSBH	8	3269-31	2	Rivet-Pop
3	112-4038	1	Plate-Pivot	9	82-5690	1	Retainer-Duct
4	120-7024	1	Screw-Shoulder, HWH	10	3256-3	1	Washer-Flat
5	121-0760	1	Latch	11	322-5	1	Screw-HH
6	3296-42	3	Nut-Lock, NI	12	114-9015	1	Nut-Impeller
7	117344	1	Handle ASM	13	110-6691	1	Decal-Danger

Notes:

Notes:

EXMARK ACCESSORIES AND OPTIONS*

MID-MOUNT RIDING ACCESSORIES AND OPTIONS

CUSTOM RIDE SEAT SUSPENSION SYSTEM	OPERATOR CONTROLLED DISCHARGE
FULL SUSPENSION SEAT	SUN SHADE
DECK LIFT ASSIST KIT	TRASH CONTAINER
HITCH KIT	TURF STRIPER
LIGHT KIT	ULTRA VAC COLLECTION SYSTEM
12V POWER PORT	ULTRA VAC QUICK DISPOSAL SYSTEM
MICRO-MULCH SYSTEM	

OUT-FRONT RIDING ACCESSORIES AND OPTIONS

CUSTOM RIDE SEAT SUSPENSION SYSTEM	SNOW BLADE
DUAL-TAIL WHEEL	SNOWBLOWER
FLOOR PAN EXTENDER	SUN SHADE
HITCH KIT	TRASH CONTAINER
LIGHT KIT	ULTRA VAC COLLECTION SYSTEM
MICRO-MULCH SYSTEM	ULTRA VAC QUICK DISPOSAL SYSTEM
ROLL OVER PROTECTION SYSTEM (ROPS)	WEATHER CAB

WALK-BEHIND ACCESSORIES AND OPTIONS

GRASS CATCHER	TURF STRIPER
MICRO-MULCH SYSTEM	STANDON

*Some accessories and options not available for some models.

Place Model No. and Serial No.
Label Here (Included in the Literature
Pack) or Fill in Below

Model No. _____

Serial No. _____

Date Purchased _____

Engine Model No. and Spec. No. _____

Engine Serial No. (E/No) _____

© 2022 Exmark Mfg. Co., Inc.
415 Industrial Row
Beatrice, NE 68310
All Rights Reserved

Part No. 4506-440 Rev. A
(402) 223-6300
Printed in the USA.

