



Count on it.

Parts Catalog

21in Super Recycler®

Lawn Mower

Model No. 21563—Serial No. 40000000 and Up



Ordering Replacement Parts

To order replacement parts, please supply the part number, the quantity, and the description of each part desired.

Understanding Reference Numbers

Each identified part in an illustration has a reference number. The reference number for a part also appears in the parts list, along with other information about the part.

This catalog uses two special reference number formats, one to indicate parts in a service assembly and another to indicate the quantity of a given part in an illustration.

Service Assembly Reference Numbers

Parts in service assemblies have reference numbers in the form a:b. The a represents the reference number of the entire service assembly and the b represents a sequential number unique to each part within the service assembly.

For example, a wheel assembly might be identified by reference number 6, the tire by 6:1, the valve by 6:2, and the wheel by 6:3. When you order the assembly identified by reference number 6, you receive all parts identified by reference numbers 6:1, 6:2, and 6:3. However, you may also order any part individually. Reference numbers of this type appear in illustration and in parts lists.

Reference Numbers Indicating Quantity

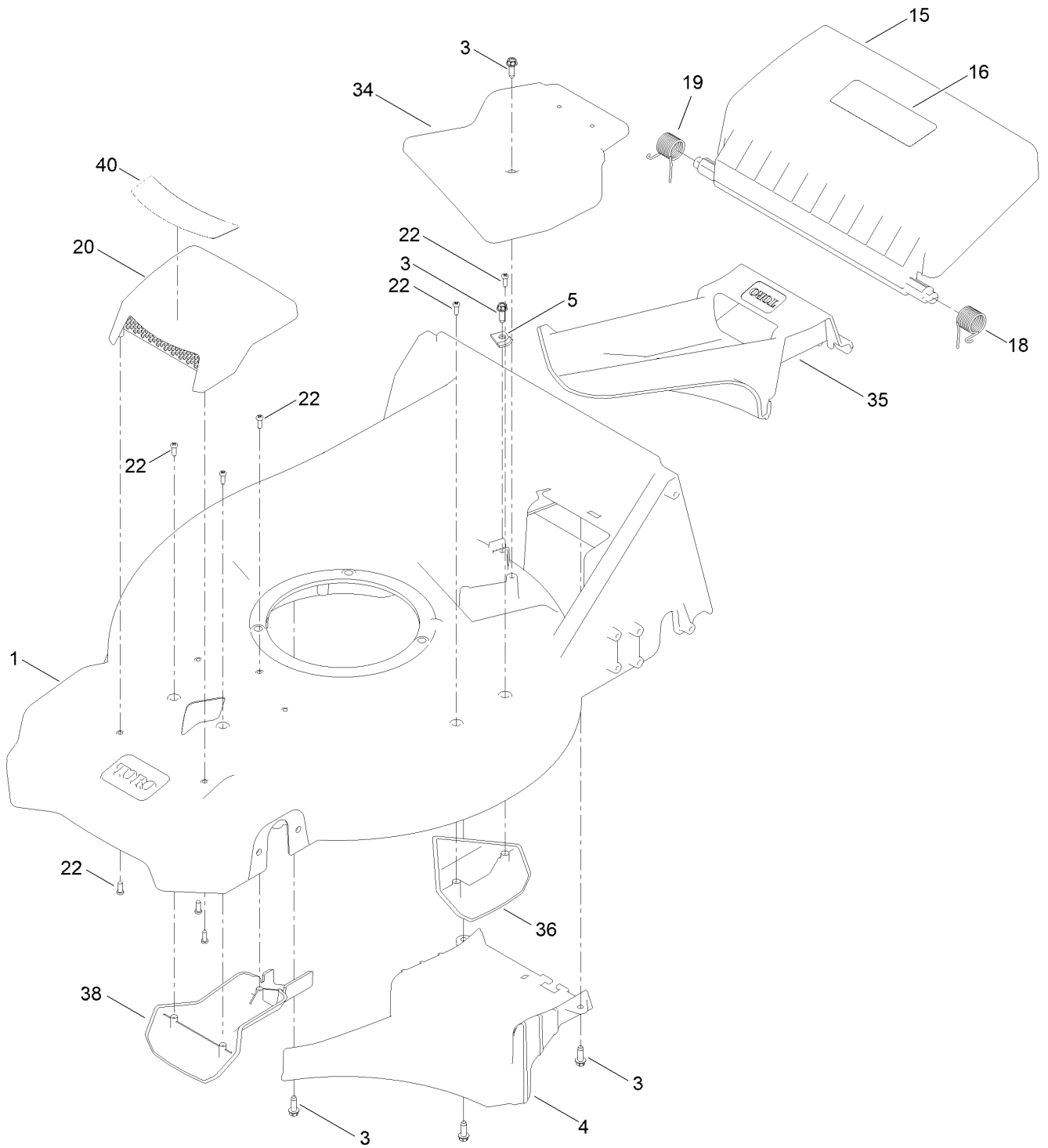
In an illustration, if a reference number indicates more than one part, the reference number has the form nX y. The n represents the quantity of the part, the X is the multiplication symbol, and the y represents the reference number.

For example, in an illustration, the reference number 2X 37 means that two of the parts identified by reference number 37 are indicated.

Contents

Housing Assembly	4
Rear Bag Assembly	6
Deck Decal Assembly	8
Engine and Blade Assembly	10
Front Wheel and Height-of-Cut Assembly	12
Rear Wheel and Height-of-Cut Assembly	14
Handle Assembly	16
Handle Control Assembly	18
Attachments and Accessories	20

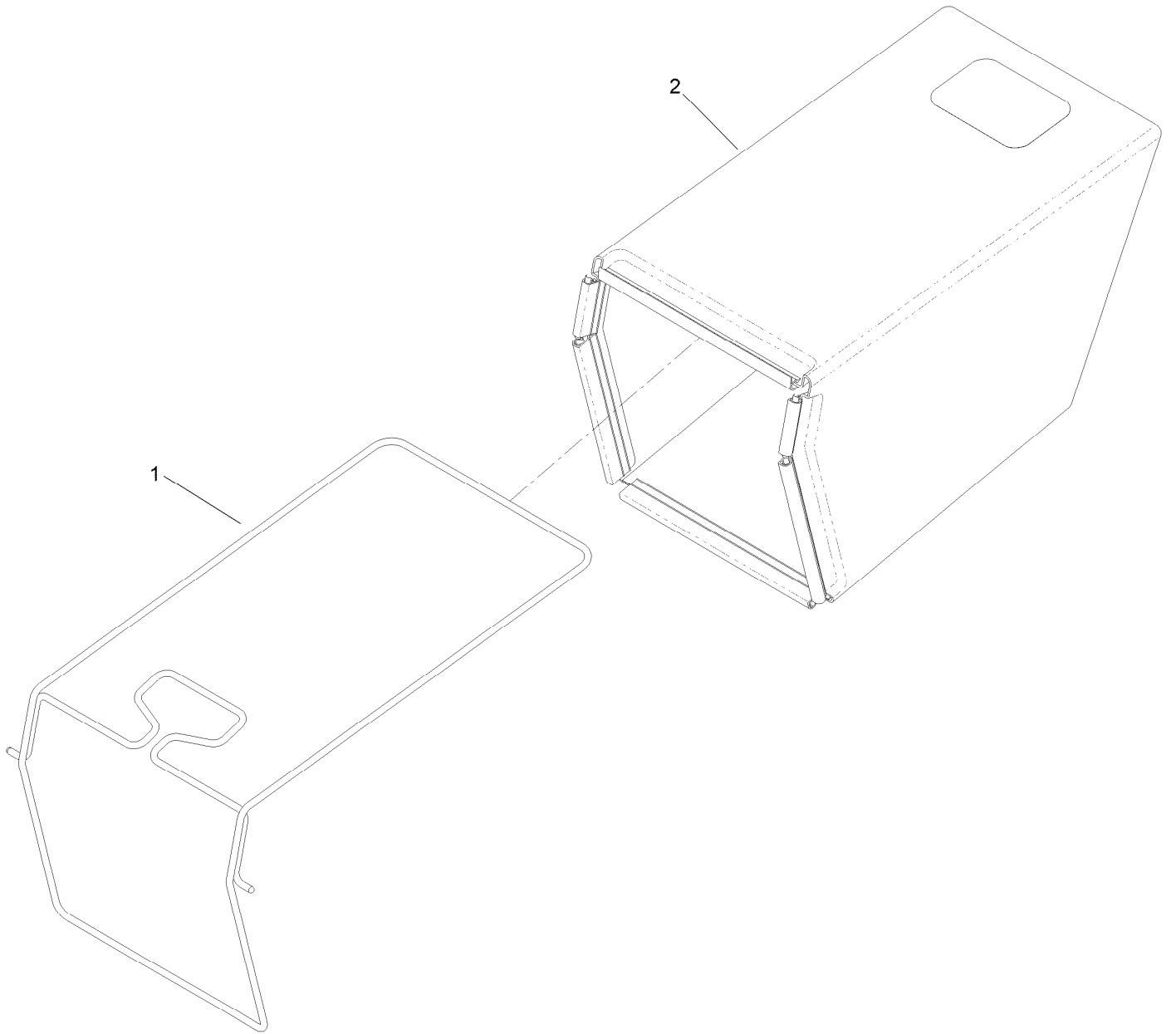
Housing Assembly



Housing Assembly (continued)

<i>Ref.</i>	<i>Part Number</i>	<i>Qty.</i>	<i>Description</i>	<i>Ref.</i>	<i>Part Number</i>	<i>Qty.</i>	<i>Description</i>
1	145-5835	1	Housing ASM	20	144-6531	1	ASM-Cover, Top Intake
3	49-2040	5	Screw-HWHTF	22	139-1703	9	Screw-Plastic, PPH
4	144-0233	1	Ramp-Discharge	34	144-0234	1	Cover-Belt, Top
5	62-3720	1	Clamp-Cable	35	144-0236	1	Plug-Mulch
15	139-5477	1	Door-Rear	36	144-0237	1	Kicker-Housing
16	131-4514	1	Decal-Warning	38	144-6464	1	Cover-Intake, Bottom
18	139-5478	1	Spring-Torsion, LH	40	145-5600	1	Decal-Cover, Intake
19	139-5479	1	Spring-Torsion, RH				

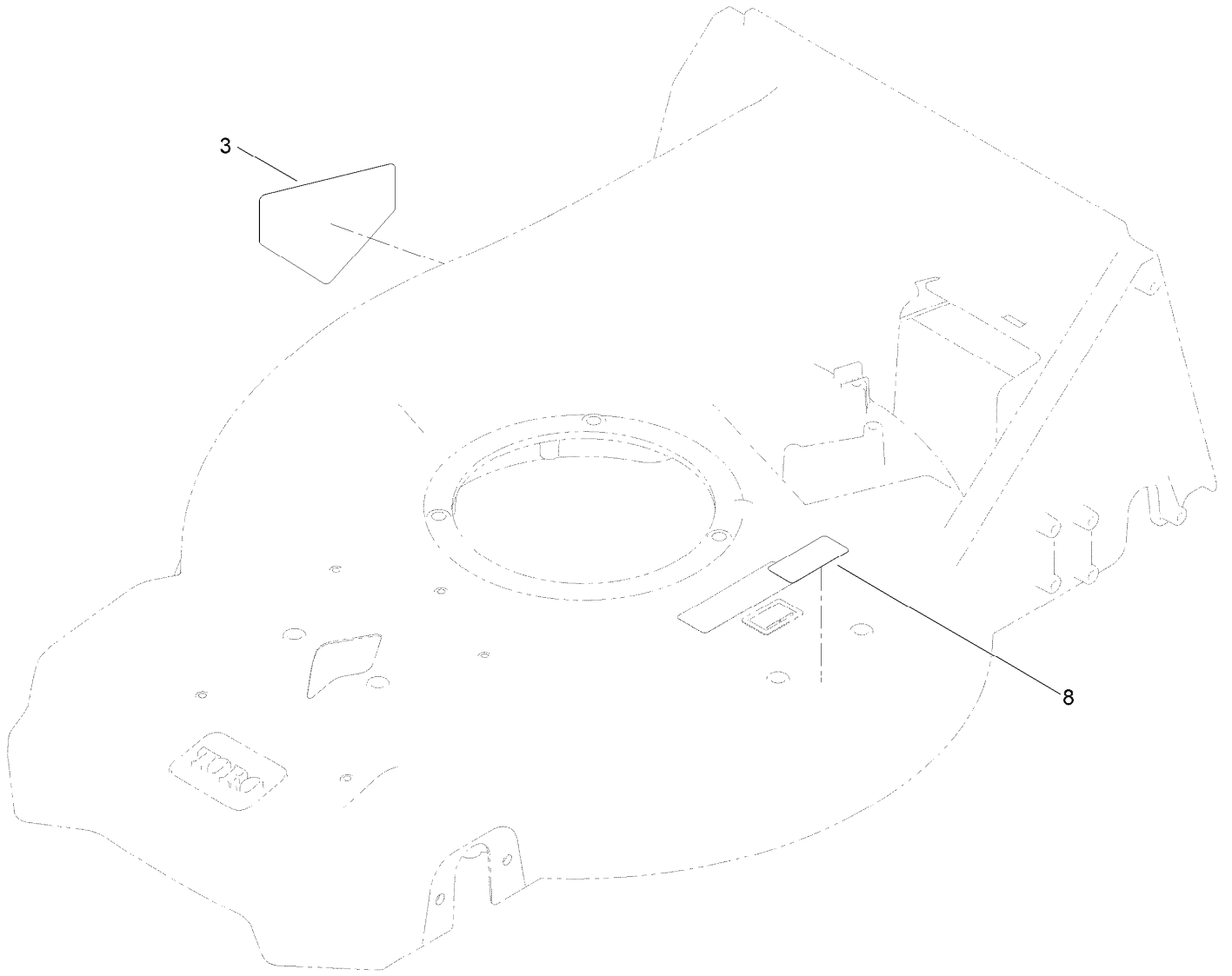
Rear Bag Assembly



Rear Bag Assembly (continued)

<i>Ref.</i>	<i>Part Number</i>	<i>Qty.</i>	<i>Description</i>
1	139-5470-03	1	ASM-Frame, Bag
2	144-6509	1	ASM-Bag, Grass

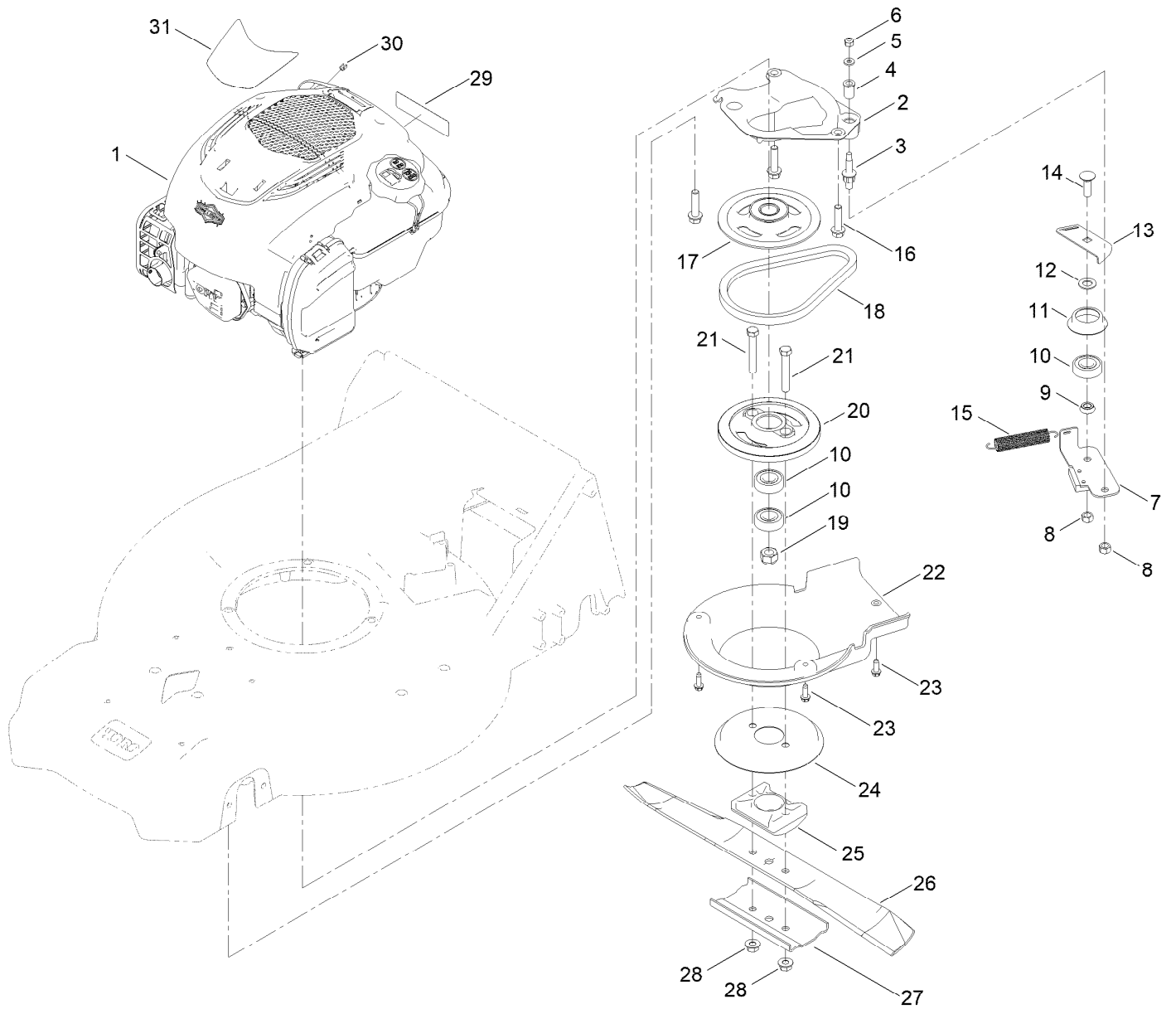
Deck Decal Assembly



Deck Decal Assembly (continued)

<i>Ref.</i>	<i>Part Number</i>	<i>Qty.</i>	<i>Description</i>
3	94-8072	1	Decal-Danger
8	121-5684	1	Decal-Location, Service Dealer

Engine and Blade Assembly



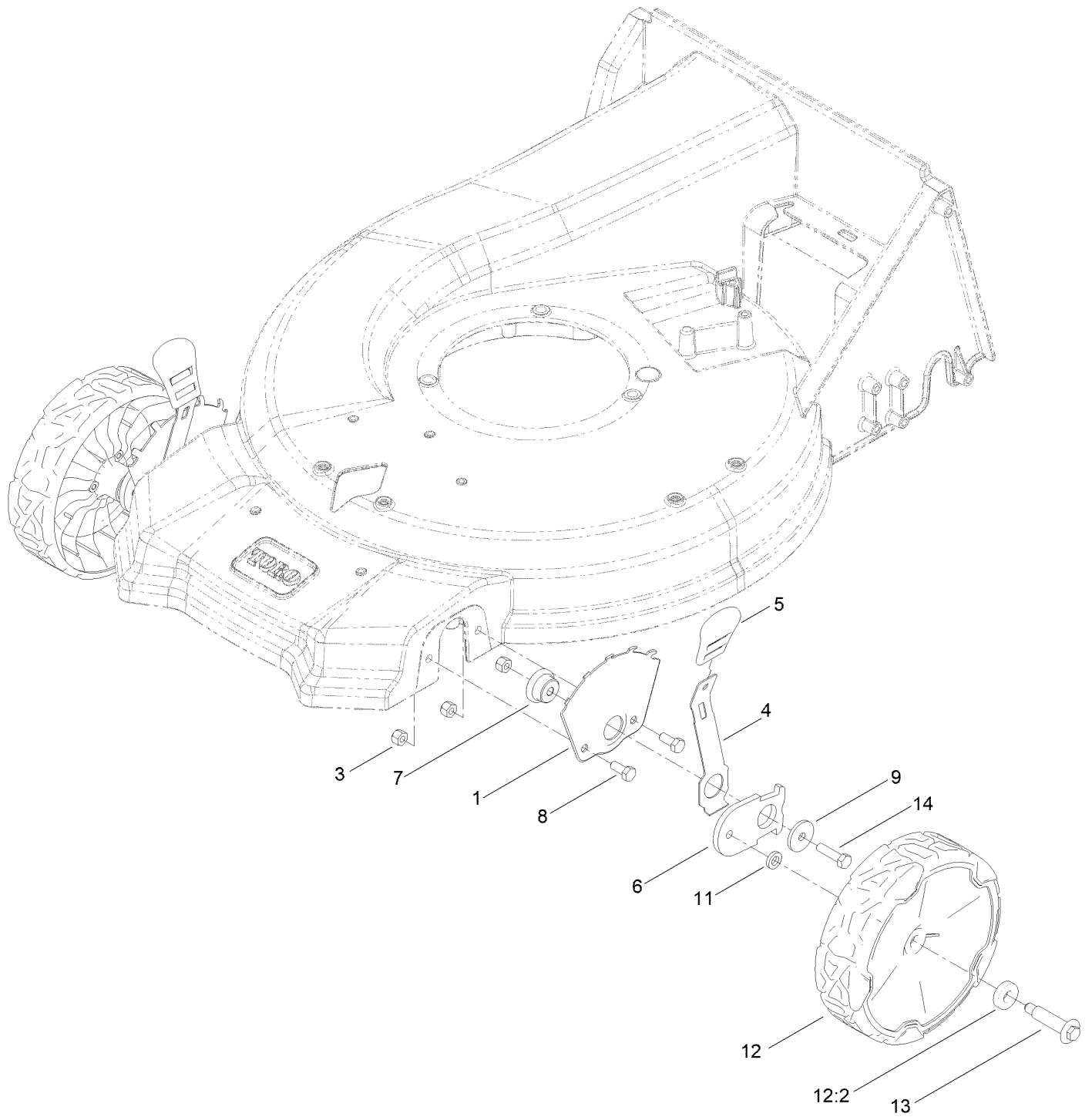
Engine and Blade Assembly (continued)

<i>Ref.</i>	<i>Part Number</i>	<i>Qty.</i>	<i>Description</i>	<i>Ref.</i>	<i>Part Number</i>	<i>Qty.</i>	<i>Description</i>
1		1	Engine-Briggs 725 Exi BBC ■●	17	117-5970	1	Pulley
2	133-8189	1	Plate-Anchor	18	110-1790	1	Belt
3	107-0759	1	Bolt-Shoulder	19	108-9342	1	Nut-Hex
4	107-0797	1	Bushing	20	126-8108	1	Drum
5	3256-16	1	Washer-Flat	21	3211-42	2	Screw-HH
6	3296-73	1	Nut-Lock, NI	22	125-1006	1	Cover
7	125-1063	1	Plate-Brake	23	49-2040	3	Screw-HWHTF
8	603773	2	Locknut	24	138-3225	1	Disk
9	107-0758	1	Spacer-Bearing	25	107-7487	1	Support-Blade
10	38-7820	3	Bearing-Ball	26	133-8183-03	1	Blade-Recycling 21In (Bagging)
11	138-3217	1	Retainer-Belt	27	108-3766-03	1	Support-Blade
12	605256	1	Spacer	28	127-6852	2	Nut-Flange, Lock
13	138-3222	1	Plate-Guide	29	133-8062	1	Decal-Arrestor, Spark
14	3231-25	1	Bolt-CARR	30	2210-316	1	Stop-Rope
15	108-3792	1	Spring-Tension, Brake	31	145-5605	1	Decal-Briggs, 163Cc BBC
16	32144-102	3	Screw-HWH				

● Not serviced separately

■ Obtain parts from www.briggsandstratton.com

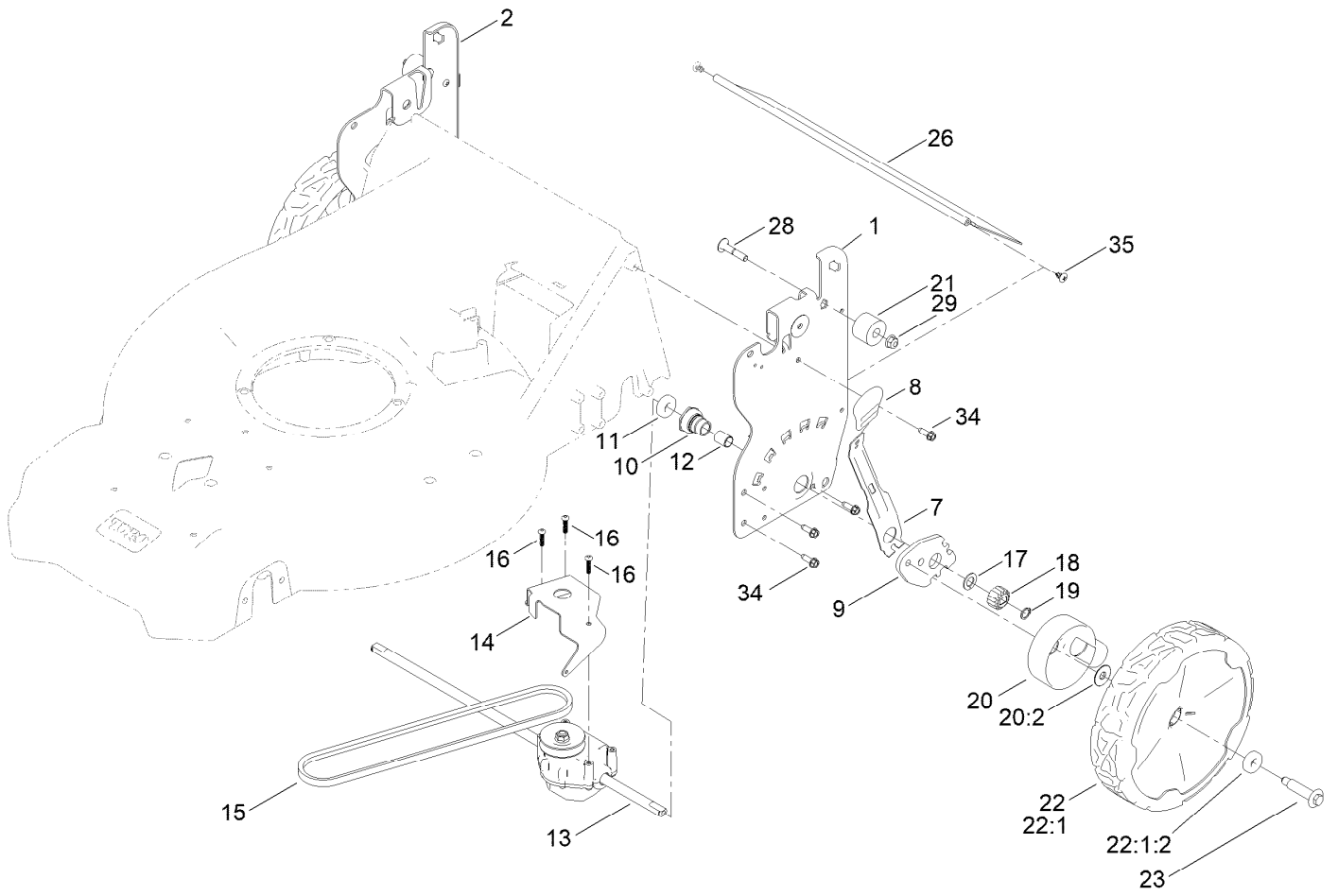
Front Wheel and Height-of-Cut Assembly



Front Wheel and Height-of-Cut Assembly (continued)

<i>Ref.</i>	<i>Part Number</i>	<i>Qty.</i>	<i>Description</i>	<i>Ref.</i>	<i>Part Number</i>	<i>Qty.</i>	<i>Description</i>
1	115-1956-05	2	Plate-HOC,Front Fsvq	9	105-3048	2	Washer-Flat
3	3296-29	6	Nut-Lock, NI	11	139-5449	2	Washer-Wheel Bolt
4	105-1809	2	Arm-Spring	12	144-6469	2	ASM-Wheel, 8" (Bearings)
5	110-0549	2	Knob-HOC	12:2	52-2450	2	Bearing-Wheel
6	137-9128	2	Arm-Pivot, Front	13	139-1789	2	Wheel Bolt
7	105-1818	2	Bushing-Mount, HOC	14	322-6	2	Screw-HH
8	322-3	4	Screw-HH				

Rear Wheel and Height-of-Cut Assembly



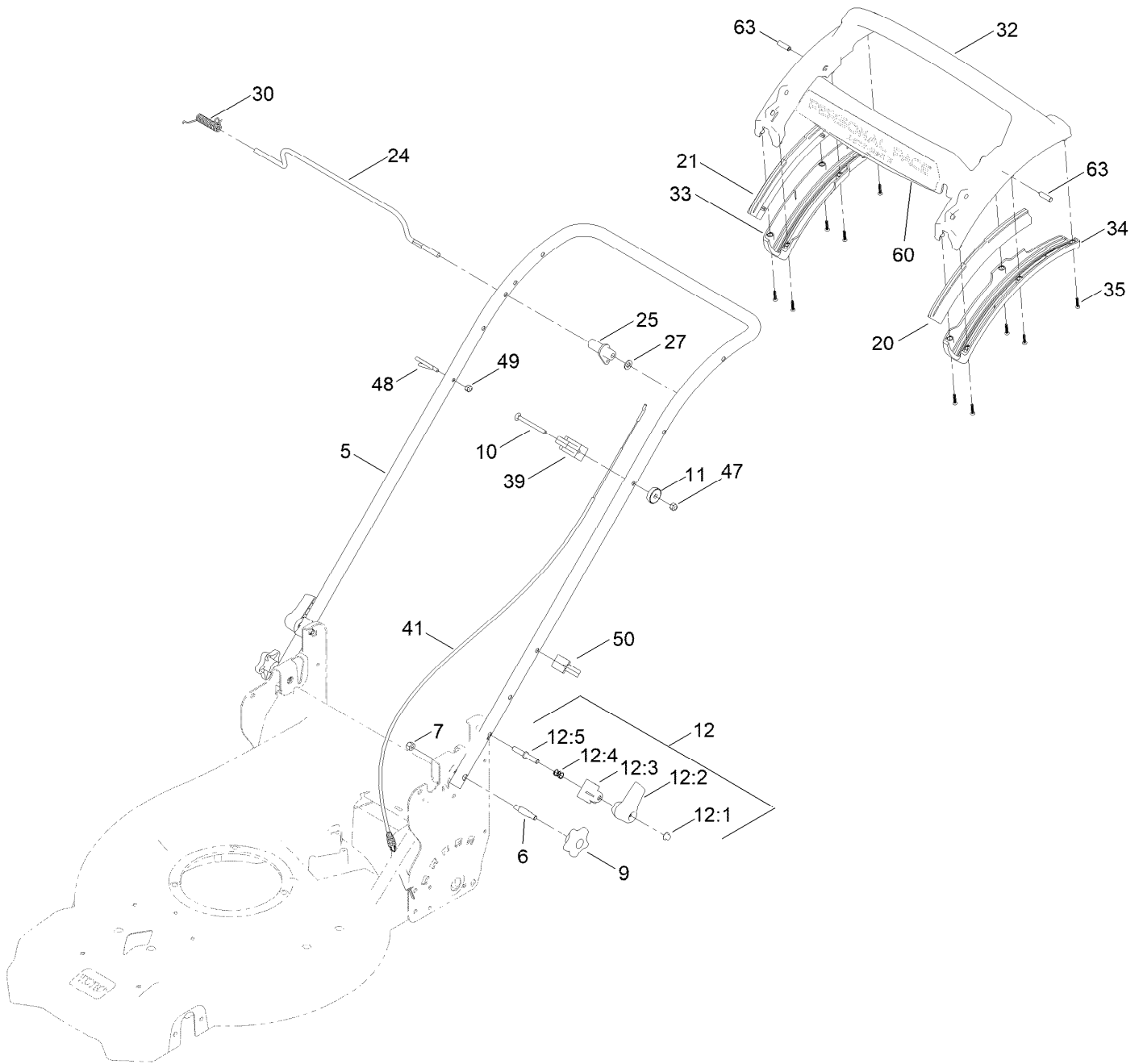
Rear Wheel and Height-of-Cut Assembly (continued)

<i>Ref.</i>	<i>Part Number</i>	<i>Qty.</i>	<i>Description</i>	<i>Ref.</i>	<i>Part Number</i>	<i>Qty.</i>	<i>Description</i>
1	144-6523-05	1	Plate-HOC, LH (Non-SS)	19	32151-61	2	Ring-Retaining
2	144-6522-05	1	Plate-HOC, RH (Non-SS)	20	144-0240	2	ASM-Cover, Gear
7	132-4486	2	Arm-Spring	20:2	614426	1	Washer-Stepped
8	110-0549	2	Knob-HOC	21	144-0218	2	Bumper-Isolator
9	139-5451	2	Arm-Pivot, Rear	22	144-6474	2	ASM-9.65" Wheel, Geared
10	108-9779	2	Retainer-Bushing, HOC	22:1		1	ASM-Wheel, 9.65" (Bearings) ● ■
11	52-2450	2	Bearing-Wheel	22:1:2	52-2450	2	Bearing-Wheel
12	108-9782	2	Bushing-Sleeve	23	139-1789	2	Wheel Bolt
13	144-0248	1	Transmission-Rwd, 5.25:1	26	139-6597	1	Shield-Trailing
14	132-4481-03	1	Bracket-Trans, Rwd Hi	28	322-7	2	Screw-HH
15	115-4669	1	Belt-V	29	32128-20	2	Nut-HF
16	108-7476	3	Screw-Plastite	34	49-2040	8	Screw-HWHTF
17	110-7191	2	Washer-Thrust	35	117-1092	2	Screw-PTH
18	131-5399	2	Gear-Pinion, 15T				

● Not illustrated

■ Not serviced separately

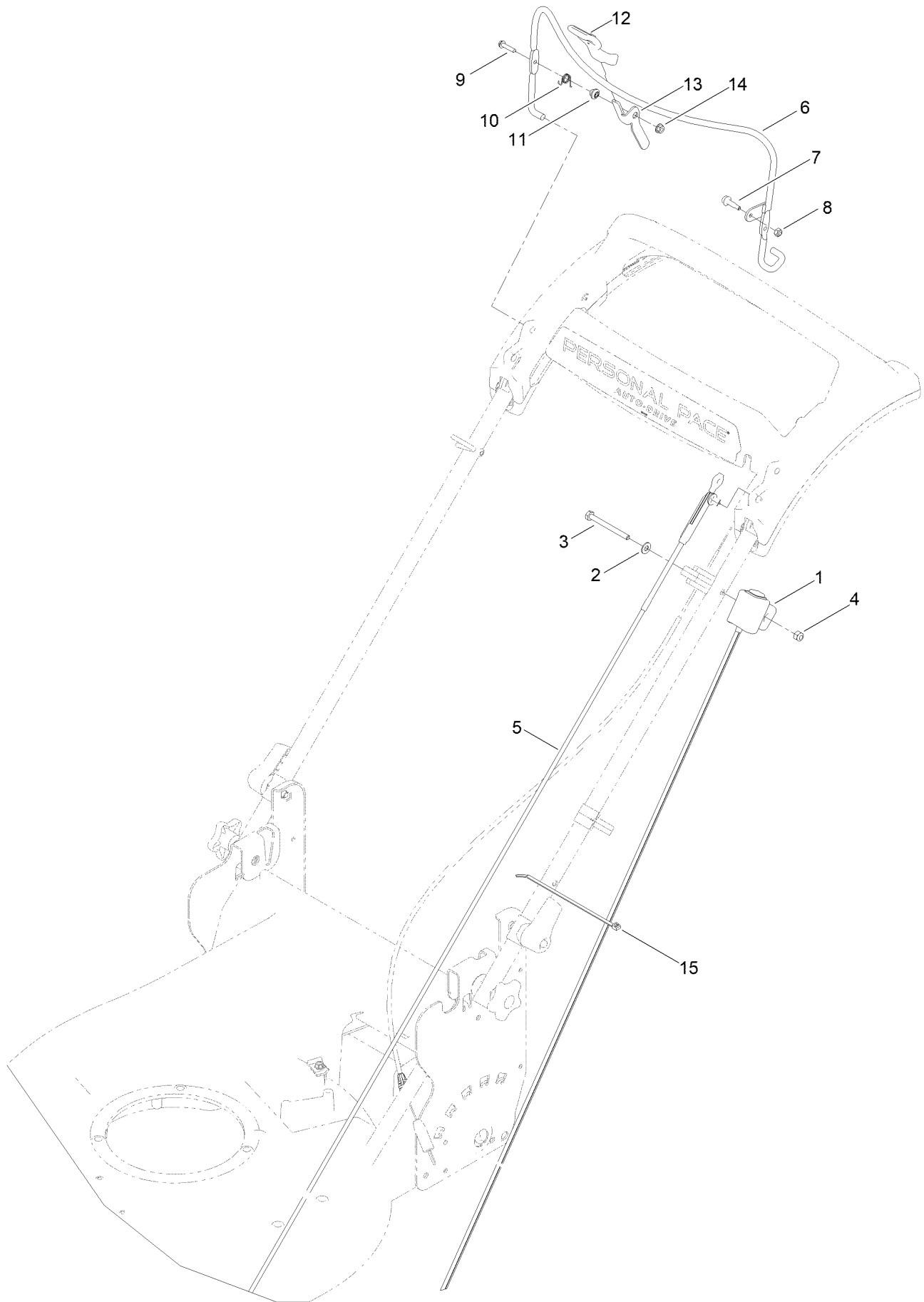
Handle Assembly



Handle Assembly (continued)

<i>Ref.</i>	<i>Part Number</i>	<i>Qty.</i>	<i>Description</i>	<i>Ref.</i>	<i>Part Number</i>	<i>Qty.</i>	<i>Description</i>
5	144-6516-05	1	Handle-Curved	27	3256-23	1	Washer-Plain
6	139-6588	2	Bolt-Shoulder, Handle	30	140-4194	1	Spring-Torsion
7	3296-29	2	Nut-Lock, NI	32	139-6569	1	Handle-Personal Pace, Curved
9	117-5976	2	Knob-Handle	33	139-6567	1	Bottom-Handle, RH
10	144-0221	1	Screw-CARR	34	139-6568	1	Bottom-Handle, LH
11	136-9075	1	Washer-Curved	35	94-4496	10	Screw-PPH
12	138-3249	2	Quick Release ASM	39	139-6581	1	Anchor-Cable, Rwd
12:1	140-4157	1	Nut-Push	41	139-6595	1	Cable-Traction, Rwd (Pp)
12:2	138-3248	1	Lever-Release	47	3296-73	1	Nut-Lock, NI
12:3	138-3253	1	Anchor-Spring	48	86-9671	1	Guide-Rope
12:4	115-2858	1	Spring-Compression	49	137-3094	1	Nut-Hex
12:5	140-4158	1	Rod-Release	50	114-7988	1	Guide-Cable
20	140-2367	1	Guide-Curved, LH (Rwd)	60	145-5601	1	Decal-Handle, Pp
21	140-2366	1	Guide-Curved, RH (Rwd)	63	139-6577	2	Pin-Handle, Pp
24	139-5464	1	Rod-Control, Traction				
25	139-6554	1	Lever-Traction, Rwd				

Handle Control Assembly



Handle Control Assembly (continued)

<i>Ref.</i>	<i>Part Number</i>	<i>Qty.</i>	<i>Description</i>	<i>Ref.</i>	<i>Part Number</i>	<i>Qty.</i>	<i>Description</i>
1	117-5975	1	Switch Housing ASM	9	106-9169	1	Screw-HWH
2	139-1699	1	Washer-Flat	10	107-7462	1	Spring-Torsion
3	321-57	1	Screw-HH	11	107-7463	1	Spacer
4	3296-73	1	Nut-Lock, NI	12	112-8884	1	Knob
5	144-6547	1	Cable-Brake, BBC	13	144-3174	1	Lever
6	140-4121-03	1	Bail-Brake [black]	14	139-1712	1	Nut-Hex Flange
7	139-1709	1	Screw-Shoulder	15	614249	2	Tie-Cable
8	137-3085	1	Nut-Hex				

Attachments and Accessories

For 21563 21in Super Recycler Lawn Mower

Product Name	Model/Part
Bagging Blade	108-3759-03
Fuel Stabilizer .05 oz	130-2393
Briggs Maint Kit.....	130-8148
4-Cycle Fuel, Snow And Lawn 32oz Can	131-3823
Toro Premium Fuel Treatment 12 Oz Bottle	131-6572
Oil-30/10W-30 Synthetic (Quart).....	138-6053
Discharge Chute ASM	144-0242
Lawn Striping Kit with 22in Roller.....	20601
Summer Oil-Case of 24 (20oz Bottles).....	38916
Bag-Walk Behind (Toro).....	490-7318
Lawnmower Cover.....	490-7462

Notes:

Notes:

Notes:



Count on it.