



Adapter Kit

2001 and Earlier 44" Snowthrower to a 2002 and Later GT Classic Garden Tractor

Part No. 105-1505

Installation Instructions

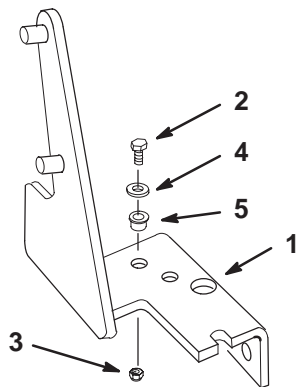
Loose Parts

Note: Use the chart below to identify parts for assembly.

DESCRIPTION	QTY.	USE
Belt cover	1	Installing the belt cover
Belt cover bracket	1	
Bolts, 3/8 x 2 in.	2	
Locknut, 3/8 in.	2	
Washer	2	
Hairpin cotter	2	

Installing the Bushing to Belt Cover Bracket

1. Remove existing bolt, washer, spacer and locknut from the existing belt cover bracket.
2. Install the bolt, washer, spacer and locknut to the new belt cover bracket (Fig. 1).

**Figure 1**

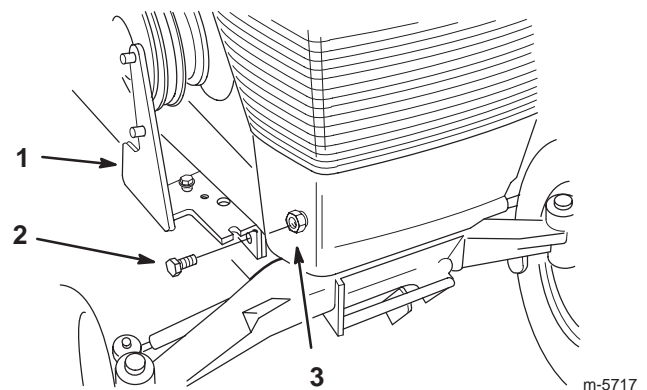
- | | |
|-----------------------|-----------|
| 1. Belt cover bracket | 4. Washer |
| 2. Bolt | 5. Spacer |
| 3. Locknut | |

m-5723

Installing the Belt Cover

Important These instructions are to be used when installing your snowthrower. Refer to your operator manual for complete snowthrower installation.

1. Park the machine on a level surface, disengage the power take off (PTO), set the parking brake, and turn the ignition key to off. Remove the key.
2. Install belt cover bracket to tractor frame with 2 bolts (3/8 x 2 in.) and locknuts (3/8 in.) (Fig. 2).

**Figure 2**

- | | |
|-----------------------|---------------------|
| 1. Belt cover bracket | 3. Locknut, 3/8 in. |
| 2. Bolt, 3/8 x 2 in. | |

m-5717

3. Install belt cover to belt cover bracket and secure with washers and hairpin cotters (Fig. 3).

Note: Install the belt cover after the belt has been installed.

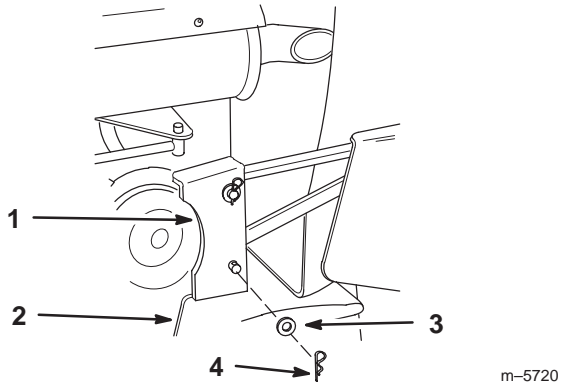


Figure 3

- | | |
|-----------------------|-------------------|
| 1. Belt cover | 3. Washer |
| 2. Belt cover bracket | 4. Hairpin cotter |