



Count on it.

Parts Catalog

**2 Post ROPS Extension Kit
Groundsmaster® 5900 Series Traction Unit**

Model No. 31353—Serial No. 403500001 and Up



Ordering Replacement Parts

To order replacement parts, please supply the part number, the quantity, and the description of each part desired.

Understanding Reference Numbers

Each identified part in an illustration has a reference number. The reference number for a part also appears in the parts list, along with other information about the part.

This catalog uses two special reference number formats, one to indicate parts in a service assembly and another to indicate the quantity of a given part in an illustration.

Service Assembly Reference Numbers

Parts in service assemblies have reference numbers in the form a:b. The a represents the reference number of the entire service assembly and the b represents a sequential number unique to each part within the service assembly.

For example, a wheel assembly might be identified by reference number 6, the tire by 6:1, the valve by 6:2, and the wheel by 6:3. When you order the assembly identified by reference number 6, you receive all parts identified by reference numbers 6:1, 6:2, and 6:3. However, you may also order any part individually. Reference numbers of this type appear in illustration and in parts lists.

Reference Numbers Indicating Quantity

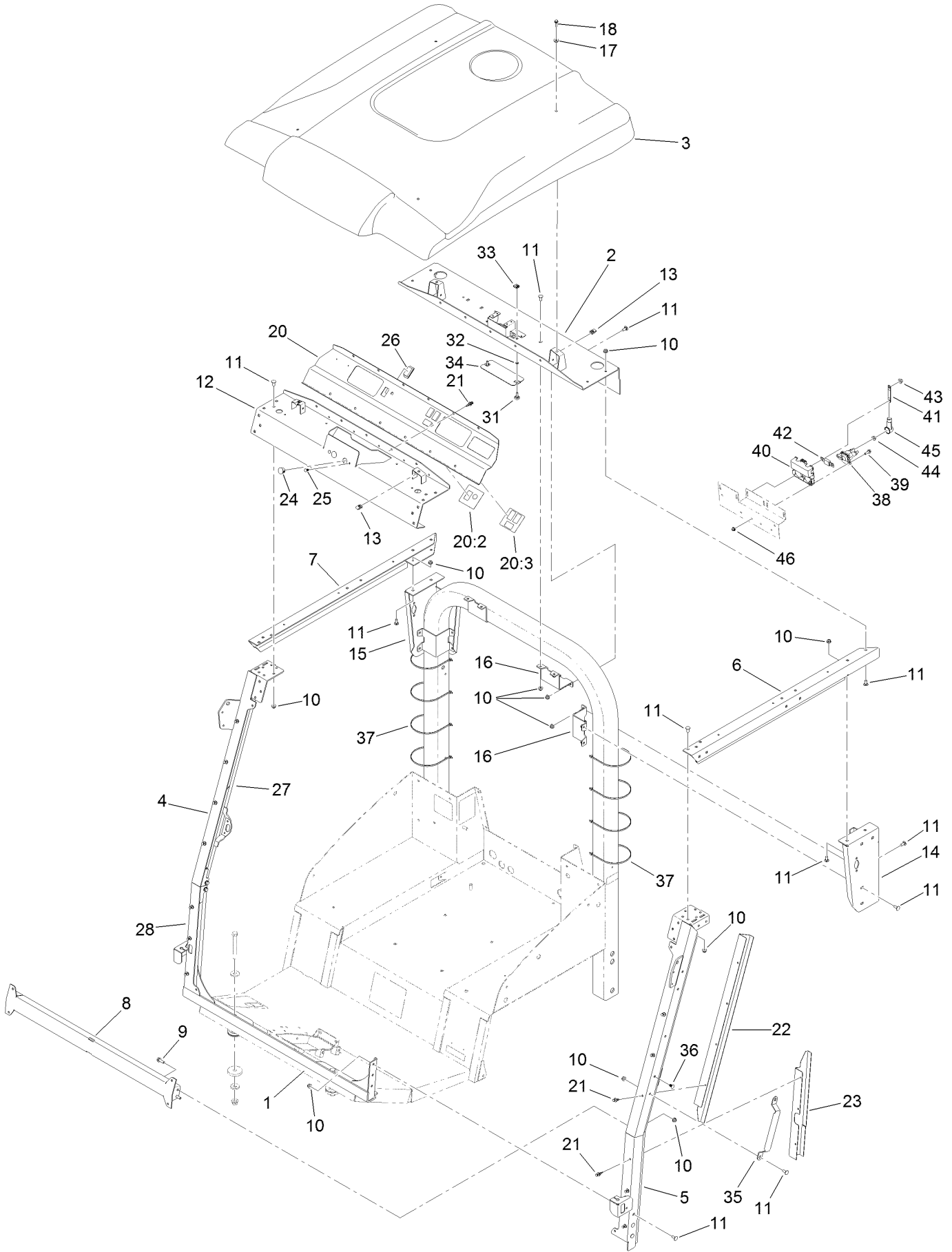
In an illustration, if a reference number indicates more than one part, the reference number has the form nX y. The n represents the quantity of the part, the X is the multiplication symbol, and the y represents the reference number.

For example, in an illustration, the reference number 2X 37 means that two of the parts identified by reference number 37 are indicated.

Contents

2 Post ROPS Extension Assembly 4
Attachments and Accessories 6

2 Post ROPS Extension Assembly



2 Post ROPS Extension Assembly (continued)

<i>Ref.</i>	<i>Part Number</i>	<i>Qty.</i>	<i>Description</i>	<i>Ref.</i>	<i>Part Number</i>	<i>Qty.</i>	<i>Description</i>
1	132-3387-03	1	Base-Mount, Front	23	132-3406-03	1	Cover-Post, Lower LH
2	132-3397-03	1	Rear Roof Mount ASM	24	121-3099	2	Plug-Panel, Plastic
3	132-3270	1	Sunshade	25	114-4899	2	Rivet-Push
4	132-3380-03	1	Brace-RH	26	99-7420	4	Plug-Hole
5	132-3381-03	1	Brace-LH	27	132-3408-03	1	Cover-Post, Upper (RH)
6	130-6177-03	1	Bracket-Upper, LH	28	132-3409-03	1	Cover-Post, Lower RH
7	130-6181-03	1	Bracket-Upper, RH	31	125-7438	2	Knob-Screw, Thumb
8	132-3384-03	1	Mount-Bracket, Lower	32	106-8737	2	Nut-Retainer
9	3234-29	4	Screw-HHF	33	609900	2	Nut-Speed
10	104-8300	58	Nut-HF, NI	34	132-3544-03	1	Plate-Cover, Fuse
11	3230-23	54	Bolt-CARR	35	133-0893-03	1	Handle-Grab
12	132-3392-03	1	Mount-Roof, Front	36	133-0875	8	Rivet-Push
13	107069	4	Clip	37	3290-379	12	Tie-Cable
14	132-3393-03	1	Panel-LH	38	131-8342	1	Solenoid
15	132-3395-03	1	Panel-RH	39	3234-4	2	Screw-HHF
16	132-3394-03	4	Mount-Channel	40	114-3318	1	Holder-Fuse, Mega
17	119-0872	4	Washer-Sealing, Bonded	41	114-5682	1	Strap-Jumper
18	120-4654	4	Screw-HHF	42	122-0628	1	Fuse-Mega
20	133-0892	1	Control Panel ASM	43	127-2371	2	Nut-HF
20:2	133-1027	1	Decal-Accessories	44	107-0380	2	Nut-HHF
20:3	133-0980	1	Decal-Lights	45	32180-008	1	Insulator-Lug, Red
21	125-9622	26	Rivet-Blind	46	104-7201	2	Nut-HF, NI
22	132-3405-03	1	Cover-Post, Upper (LH)				

Attachments and Accessories

For 31353 2 Post ROPS Extension Kit Groundsmaster 5900 Series Traction Unit

Product Name	Model/Part
Beacon Kit, 2015 and After Groundsmaster Series Traction Unit	31509
EU Light Kit Conversion.....	31695
Security Cage Kit, Groundsmaster 5900 Traction Unit with 2 Post ROPS Extension	132-3695
Windshield Wiper Kit, Groundsmaster or Reelmaster Series Traction Unit with 2 Post ROPS Extension Kit	31311
Operator Fan and Interior Roof Kit, Groundsmaster or Reelmaster Traction Unit with 2 Post ROPS Extension.....	132-3435
Wire Harness Kit, Groundsmaster 360, 4000, 5900, or Reelmaster 5010 Series Traction Unit with 2 Post ROPS Extension.....	122-0729
Dome Light	125-7437
Exterior Mirror Kit.....	130-5448
Interior Mirror Kit.....	130-5449

Notes:



Count on it.