



## Mid–Size Mower

### ProLine T–Bar Gear 17 HP with 52in SD Mower

Model No. 30322—2300000001 and Up

## Parts Catalog

### Ordering Replacement Parts

To order replacement parts, please supply: the part number, the quantity, and the description of each part desired.

### Understanding Reference Numbers

Each identified part in an illustration has a reference number. The reference number for a part also appears in the parts list, along with other information about the part.

This catalog uses two special reference number formats, one to indicate parts in a service assembly and another to indicate the quantity of a given part in an illustration.

### Service Assembly Reference Numbers

Parts in service assemblies have reference numbers in the form **a:b**. The **a** represents the reference number of the entire service assembly and the **b** represents a sequential number unique to each part within the service assembly.

For example, a wheel assembly might be identified by reference number **6**, the tire by **6:1**, the valve by **6:2**, and the wheel by **6:3**. When you order the assembly identified by reference number **6**, you receive all parts identified by reference numbers **6:1**, **6:2**, and **6:3**. However, you may also order any part individually.

Reference numbers of this type appear in illustrations and in part lists.

### Reference Numbers Indicating Quantity

In an illustration, if a reference number indicates more than one part, the reference number has the form **nX y**. The **n** represents the quantity of the part, the **X** is the multiplication symbol, and the **y** represents the reference number.

For example, in an illustration, the reference number **2X 37** means that two of the parts identified by reference number **37** are indicated.

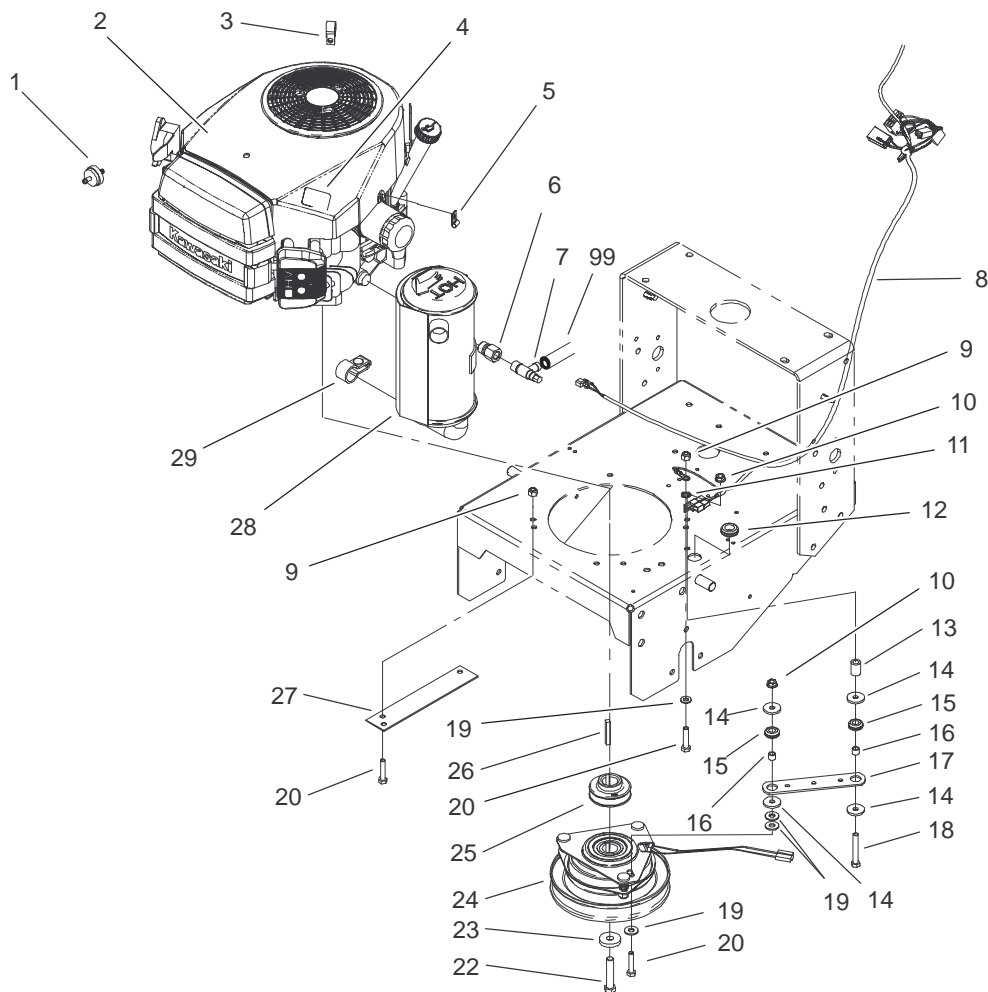
## Contents

<b>Description</b>	<b>Page</b>	<b>Description</b>	<b>Page</b>
Engine Installation Assembly .....	3	Valve / Camshaft Assembly	
Fuel Tank Assembly .....	4	Kawasaki FH500V–AS29 .....	20
Lower Control Assembly .....	5	Piston / Crankshaft Assembly	
Transmission Drive Assembly .....	6	Kawasaki FH500V–AS29 .....	22
Wheel Drive and Brake Assembly .....	7	Lubrication Equipment Assembly	
Upper Handle Assembly .....	8	Kawasaki FH500V–AS29 .....	23
Control Panel Assembly .....	9	Cooling Equipment Assembly	
Carrier Frame Assembly .....	10	Kawasaki FH500V–AS29 .....	24
Spindle, Pulley and Belt Assembly .....	11	Electrical Equipment Assembly	
Spindle Assembly No. 106–0787 .....	12	Kawasaki FH500V–AS29 .....	26
Spindle Assembly No. 106–0785 .....	13	Control Equipment Assembly	
Deck Assembly .....	14	Kawasaki FH500V–AS29 .....	28
Drive Belt and Tensioner Assembly .....	15	Air Filter / Muffler Assembly	
Electrical Schematic .....	16	Kawasaki FH500V–AS29 .....	32
Decals		Fuel Tank / Fuel Valve Assembly	
Kawasaki FH500V–AS29 .....	17	Kawasaki FH500V–AS29 .....	33
Cylinder / Crankcase Assembly		Starter Assembly	
Kawasaki FH500V–AS29 .....	18	Kawasaki FH500V–AS29 .....	34

## Part Description Abbreviations

Part descriptions in this catalog may include the following abbreviations.

<b>Abbreviation</b>	<b>Meaning</b>	<b>Abbreviation</b>	<b>Meaning</b>
AR .....	as required	HYD .....	hydraulic
ASM .....	assembly	INC .....	incorporated
CARR .....	carriage	LH .....	left hand
DEG .....	degrees	NI .....	nylon insert
FH .....	flat head	PPH .....	Phillips pan head
GA .....	gauge	PTH .....	Phillips truss head
HF .....	hex flange	PTO .....	power take off
HH .....	hex head	RH .....	right hand
HHF .....	hex head flange	SFH .....	slotted fillister head
HLH .....	hex lag head	SHH .....	slotted hex head
HJ .....	hex jam	SQH .....	square head
HOC .....	height-of-cut	SHWH .....	slotted hex washer head
HS .....	hex socket	SPH .....	slotted pan head
HSBH .....	hex socket button head	SRH .....	slotted round head
HSFH .....	hex socket flat head	STD .....	standard
HSH .....	hex socket head	TAP .....	self tapping
HWH .....	hex washer head	TTH .....	Torx truss head
HWHTF .....	hex washer head thread forming	WH .....	wing head



Sheet No.:4

## Engine Installation Assembly

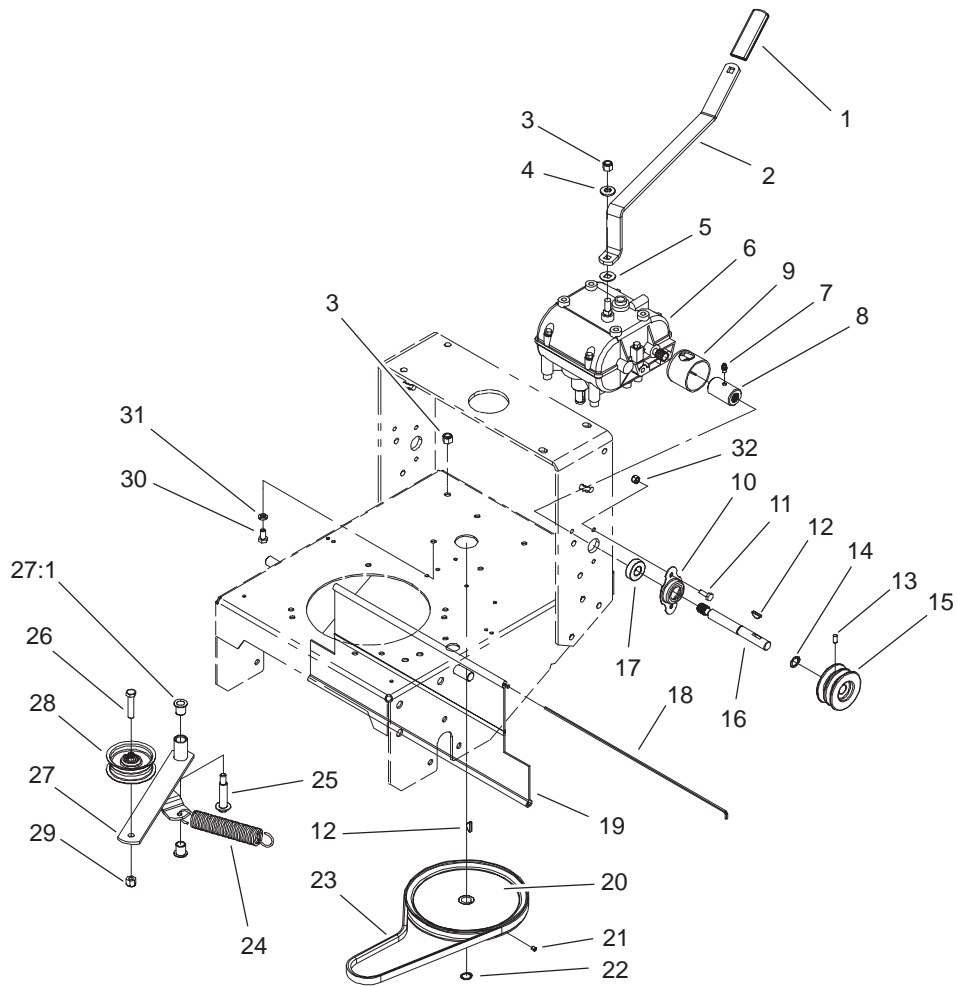
Ref. No.	Part No.	Qty.	Description
1	56-6360	1	Filter-Fuel
☆2		1	Engine-Kawasaki, Fh500v-As29
3	2412-87	1	Clamp-Cable
4	106-0699	1	Decal-Warning, Hot Surfaces
5	2412-72	1	Clip-Closed, Insulated
6	103-1966	1	Adapter
7	103-1965	1	Valve-Drain, Oil
8	104-8137	1	Harness-Wire
9	3296-29	4	Nut-Lock, NI
10	32128-20	2	Nut-HF
11	3255-8	1	Washer-Lock
12	237-124	1	Grommet
13	104-6373	1	Tube-Retainer
14	1-613235	4	Washer
15	1-633630	2	Grommet-Brake
16	1-633545	2	Spacer-Grommet
17	1-633543	1	Strap-Clutch/Brake
18	322-11	1	Screw-HH
19	3256-23	5	Washer-Flat
20	322-7	5	Screw-HH
22	3212-9	1	Screw-HH
23	112843	1	Washer
24	105-2635	1	Clutch/Brake
25	105-0827	1	Pulley-Drive

Ref. No.	Part No.	Qty.	Description
26	608006	1	Key-Square
27	94-5847-01	1	Cover-Pulley
28	100-6467	1	Muffler
29	100-6468	1	Clamp-Muffler
99	103-1964	1	Hose-Drain, Oil

☆ Not serviced separately





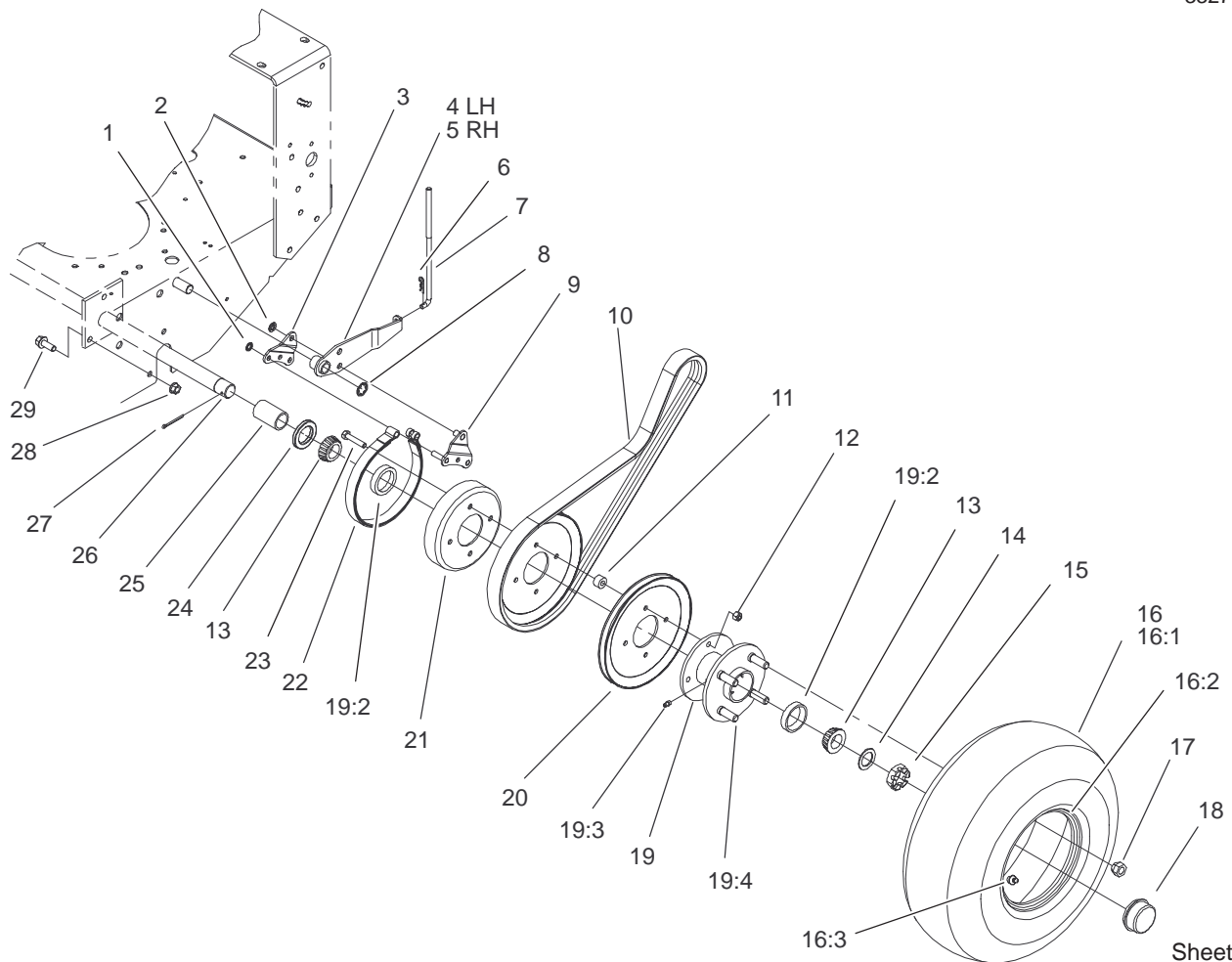


Sheet No.:7

## Transmission Drive Assembly

Ref. No.	Part No.	Qty.	Description
1	47-1970	1	Grip
2	98-3274-03	1	Lever-Shift
3	3296-6	2	Nut-Lock, NI
4	98-5975	1	Washer-Belleville
5	1-323379	1	Washer
6	1-323500	1	Transmission
7	302-5	2	Fitting-Grease
8	1-323680	2	Coupler
9	51-4220	2	Guard-Coupler
10	1-323254	2	Flange-Output
11	321-4	4	Screw-HH
12	3257-5	3	Key-Woodruff
13	3245-9	2	Screw-Set
14	32151-62	2	Ring-Retaining
15	105-2698	2	Pulley-Transmission
16	104-1102	2	Shaft-Output
17	1-323252	2	Bearing-Shaft
18	95-1529	1	Rod-Shield
19	95-1526	1	Shield-Trailing
20	105-5646	1	Pulley-Driven
21	3245-1	1	Screw-Set, HSH
22	32120-64	1	Ring-Snap, External
23	105-5668	1	V-Belt
24	68-2190	1	Spring
25	27-6230	1	Bolt-Wheel
26	323-9	1	Screw-HH

Ref. No.	Part No.	Qty.	Description
27	16-7509	1	Lever-Idler
27:1	256-155	2	Bushing-Flange
28	62-4540	1	Pulley
29	3296-39	1	Nut-Lock, NI
30	322-2	4	Screw-HH
31	3253-4	4	Washer-Lock
32	3296-42	4	Nut-Lock, NI



Sheet No.:8

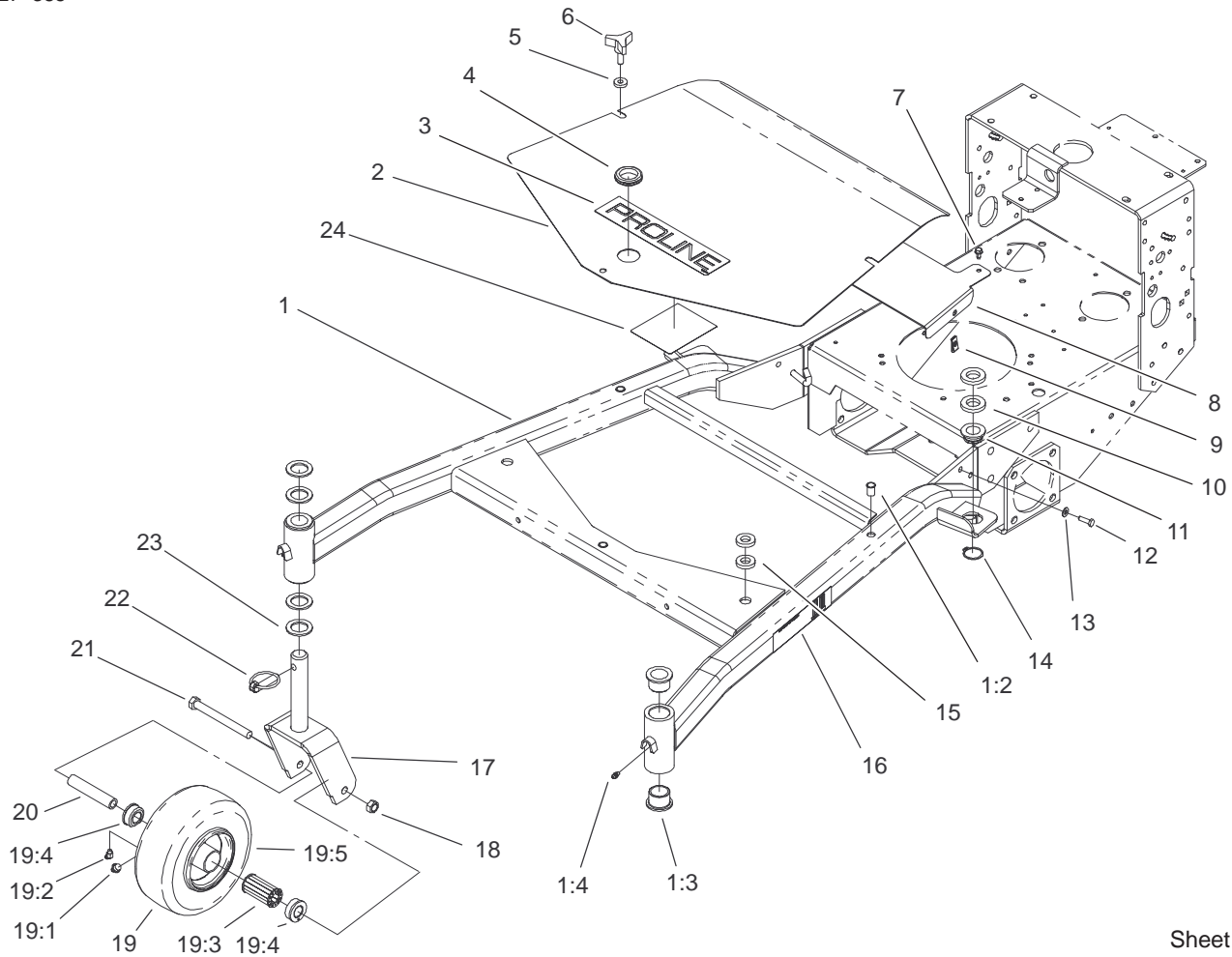
## Wheel Drive and Brake Assembly

Ref. No.	Part No.	Qty.	Description
1	32151-72	4	Ring-Retaining
2	32151-56	2	Ring-Retaining, External
3	105-4651-01	2	Plate-Link, Brake
4	106-5537-01	2	Brake Arm ASM
6	3290-307	2	Pin-Hair
7	51-4580	2	Rod-Brake
8	32151-40	2	Ring-Retaining
9	105-4652-01	2	Brake Link ASM
10	51-4290	2	V-Belt
11	51-4170	8	Spacer-Pulley
12	3296-29	8	Nut-Lock, NI
13	254-94	4	Bearing-Cone, Taper
14	1-523157	2	Washer-Spacer
15	1-809082	2	Nut-SHH
16	104-6321	2	Wheel And Tire ASM
16:1	104-6322	1	Tire
16:2	104-6323	1	Wheel
16:3	232-27	1	Stem-Valve
17	242-50	8	Nut-Lug
18	241-119	2	Cap-Dust
19	1-413333	2	Hub-Wheel ASM
19:2	254-72	2	Bearing-Cup, Tapered
19:3	302-19	1	Fitting-Grease
19:4	1-633926	4	Stud-Wheel
20	51-4160-03	4	Pulley-Wheel

Ref. No.	Part No.	Qty.	Description
21	1-323261	2	Drum-Brake
22	1-323262	2	Band-Brake
23	322-8	8	Screw-HH
24	1-543511	2	Seal-Grease
25	104-1197	2	Spacer-Wheel
26	104-1196-01	1	Axle ASM
27	1-806800	2	Pin-Cotter
28	32128-21	6	Nut-HF
29	3234-11	6	Screw-HHF





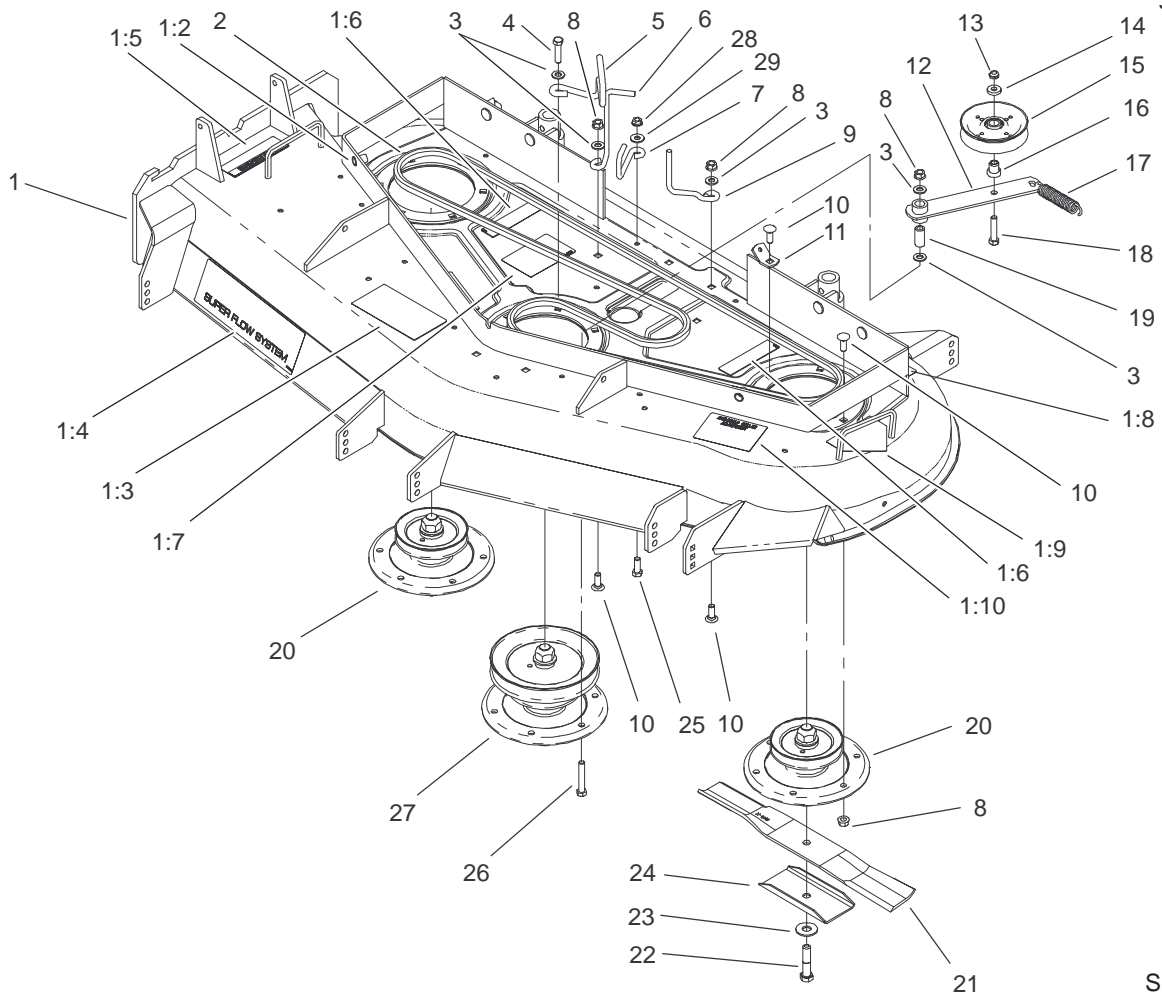


Sheet No.:2

## Carrier Frame Assembly

Ref. No.	Part No.	Qty.	Description
1	106-0708	1	Carrier Frame ASM
1:2	32148-9	3	Insert-Nut
1:3	94-1291	4	Bushing-Special
1:4	302-5	2	Fitting-Grease
2	106-3360-01	1	Cover-Carrier Frame
3	106-0719	1	Decal-Proline
4	240-3	1	Grommet-Rubber
5	106-0565	3	Washer-Rubber
6	104-8587	3	Knob
7	12-3270	2	Screw
8	106-3361-01	1	Shield-Heat
9	3290-199	2	Nut-Speed
10	104-1105	4	Spacer-Support, Deck
11	1-513336	2	Bushing-Deck
12	321-5	2	Screw-HH
13	3256-22	2	Washer-Flat
14	32120-33	2	Ring-Retaining
15	105-0842	4	Spacer
16	106-0635	2	Decal-HOC
17	105-3159-01	2	Castor Fork ASM
18	32153-5	2	Nut-Lock
19	100-6451	2	Castor Wheel ASM
19:1	232-27	1	Stem-Valve
19:2	302-11	1	Fitting-Lube, 45°
19:3	83-4740	1	Bearing
19:4	62-5580	2	Bearing-Outside

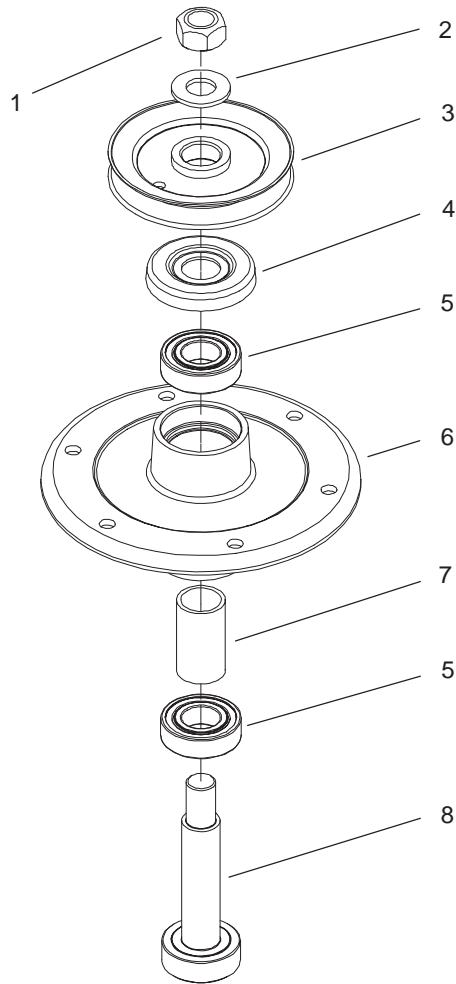
Ref. No.	Part No.	Qty.	Description
19:5	100-6452	1	Tire-Tubeless
20	100-6453	2	Bushing-Spanner
21	325-19	2	Screw-HH
22	283-71	2	Pin-Lynch
23	3-6781	8	Washer-Thrust
24	106-5503	1	Decal-Service, Hydro Tb
24	106-5505	1	Decal-Service, Gear Tb
24	106-5511	1	Decal-Service, Gear Pg
24	106-5513	1	Decal-Service, Hydro Pg



## Spindle, Pulley and Belt Assembly

Ref. No.	Part No.	Qty.	Description
1	106-0619	1	Deck ASM
1:2	32148-10	2	Insert-Threaded
1:3	66-1340	1	Decal-Danger
1:4	106-0705	1	Decal-Sfs, 52"
1:5	104-8569	1	Decal-Warning
1:6	67-5360	3	Decal-Danger
1:7	104-8186	1	Decal-Routing, Belt
1:8	68-8340	1	Decal-Torque
1:9	43-8480	1	Decal-Danger
1:10	106-5532	1	Decal-Antiscalp
2	104-6397	1	V-Belt
3	3256-24	5	Washer-Flat
4	323-8	1	Screw-HH
5	105-0850	1	Guide-Belt
6	98-5980	1	Guide-Belt
7	104-6396	1	Guide-Belt
8	32128-21	20	Nut-HF
9	52-4780	1	Rod-Belt
10	3231-22	18	Screw-CARR
11	104-6374	1	Plate-Spring
12	104-6375	1	Idler Arm ASM
13	3296-5	1	Nut-Lock, NI
14	7-0081	1	Washer-Flat
15	65-5940	1	Pulley-Idler
16	104-6379	1	Bushing-Pulley
17	51-3650	1	Spring-Extension

Ref. No.	Part No.	Qty.	Description
18	3211-8	1	Screw-HH
19	51-3640	1	Sleeve
20	106-0787	2	Spindle Housing ASM
21	27-0990	3	Blade
22	44-2200	3	Screw-Blade
23	3256-6	3	Washer-Flat
24	92-9820	3	Stiffener-Blade
25	323-6	1	Screw-HH
26	323-11	1	Screw-HH
27	106-0785	1	Spindle Housing ASM
28	32128-25	1	Nut-Flange
29	3256-3	1	Washer-Flat

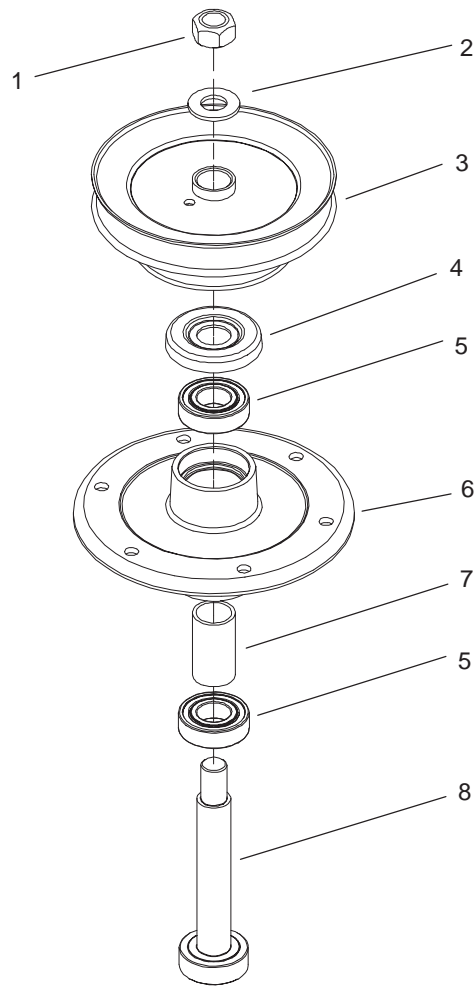


Sheet No.:A1

### Spindle Assembly No. 106-0787

Ref. No.	Part No.	Qty.	Description
1	3219-7	1	Nut-Hex
2	7-4150	1	Washer
3	104-1118	1	Pulley And Hub ASM
4	106-0873	1	Shield-Bearing
5	104-6325	2	Bearing
6	104-6307	1	Housing-Spindle
7	106-0795	1	Spacer-Bearing
8	106-0782	1	Shaft-Spindle

Ref. No.	Part No.	Qty.	Description

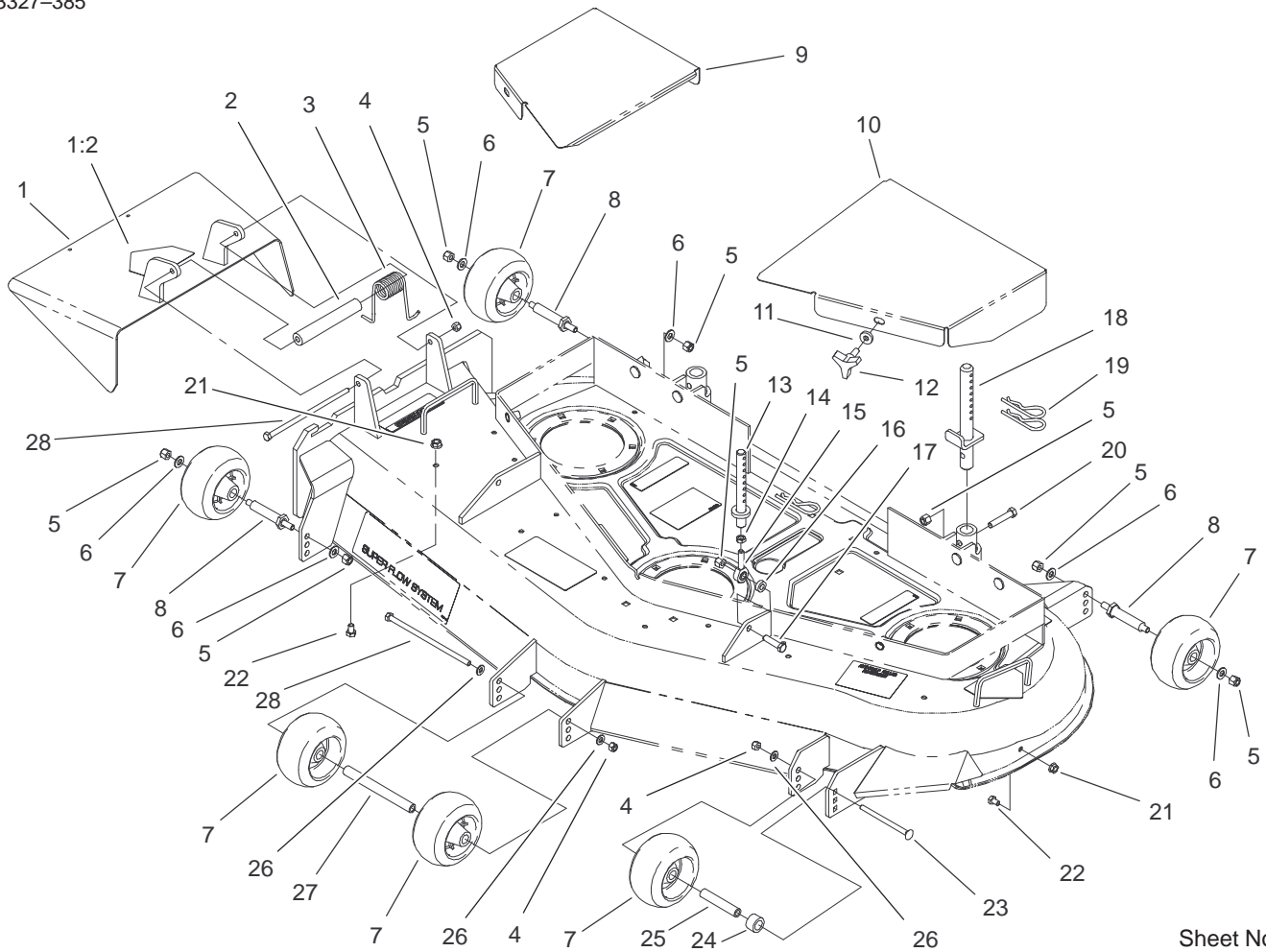


Sheet No.:A2

### Spindle Assembly No. 106-0785

Ref. No.	Part No.	Qty.	Description
1	3219-7	1	Nut-Hex
2	7-4150	1	Washer
3	104-1117	1	Pulley And Hub ASM
4	106-0873	1	Shield-Bearing
5	104-6325	2	Bearing
6	104-6307	1	Housing-Spindle
7	106-0795	1	Spacer-Bearing
8	106-0781	1	Shaft-Spindle

Ref. No.	Part No.	Qty.	Description



Sheet No.:4

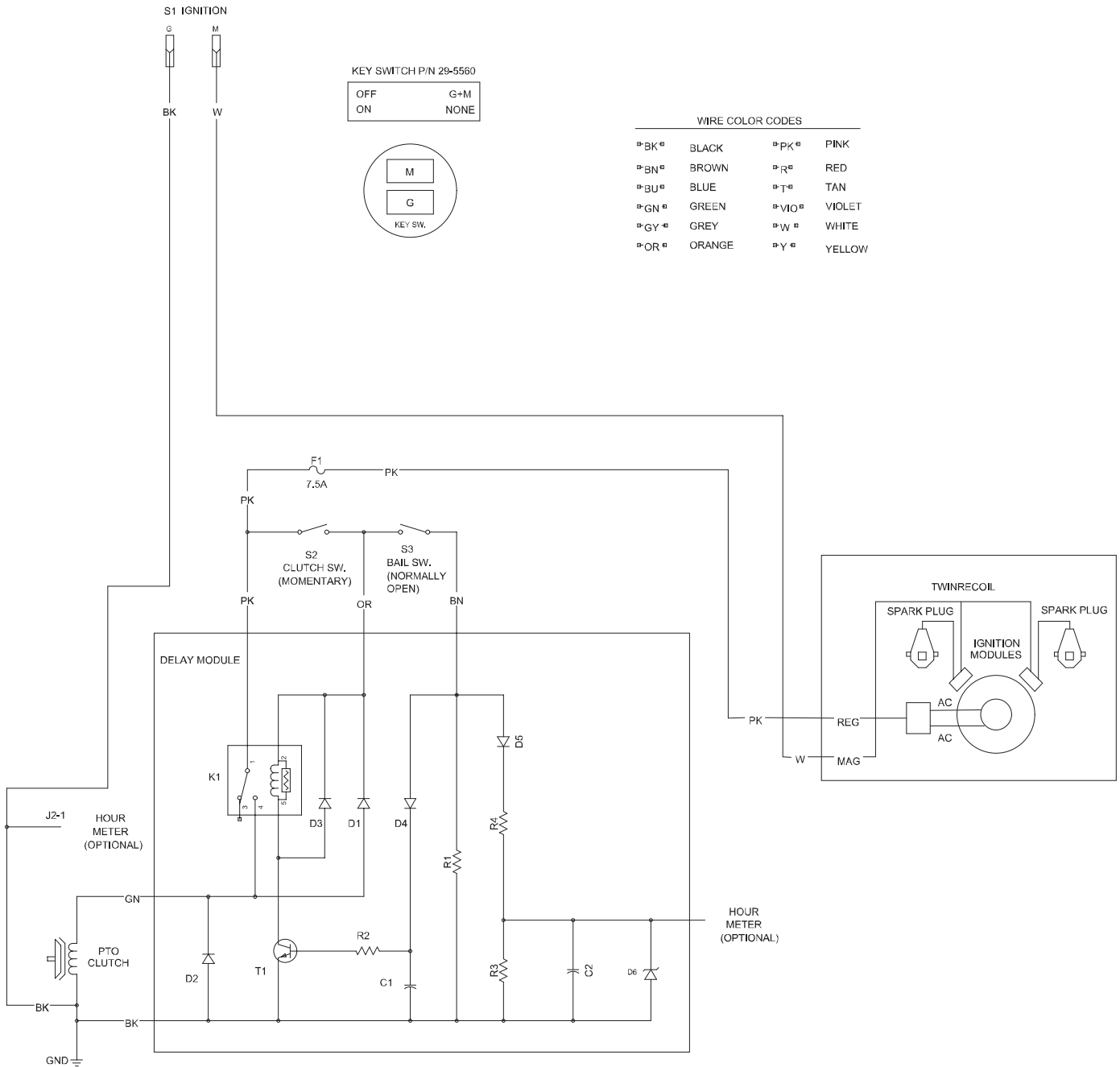
### Deck Assembly

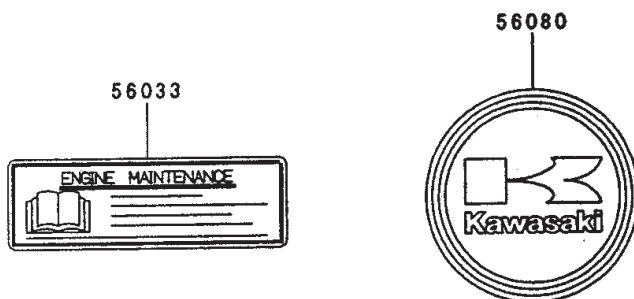
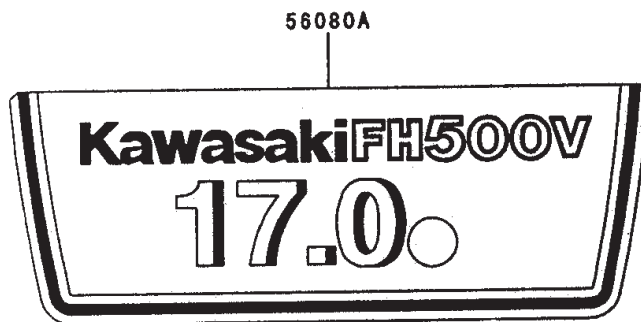
Ref. No.	Part No.	Qty.	Description
1	105-4623	1	Deflector ASM
1:2	93-1122	1	Decal-Danger
2	105-4622	1	Spacer
3	104-8554	1	Spring-Torsion
4	3296-29	3	Nut-Lock, NI
5	3296-39	10	Nut-Lock, NI
6	3256-24	6	Washer-Flat
7	68-2730	6	Wheel-Gage
8	99-2842	3	Spacer
9	106-3363-01	1	Cover-Belt, RH
10	106-3362-01	1	Cover-Belt, LH
11	106-0565	2	Washer-Rubber
12	104-8587	2	Knob
13	106-0684	2	Front Pin ASM
14	3220-3	2	Nut-Jam
15	1-613204	2	Balljoint
16	104-1156	2	Spacer
17	323-8	2	Screw-HH
18	106-3365	2	Rear Pin ASM
19	3290-256	6	Pin-Hair
20	323-10	2	Screw-HH
21	32128-20	6	Nut-HF
22	322-1	6	Screw-HH
23	3230-30	1	Screw-CARR
24	106-0563	1	Spacer-Wheel
25	106-0545	1	Bushing-Roller

Ref. No.	Part No.	Qty.	Description
26	3256-23	3	Washer-Flat
27	98-5967	1	Spacer
28	322-50	2	Screw-HH



# Electrical Schematic





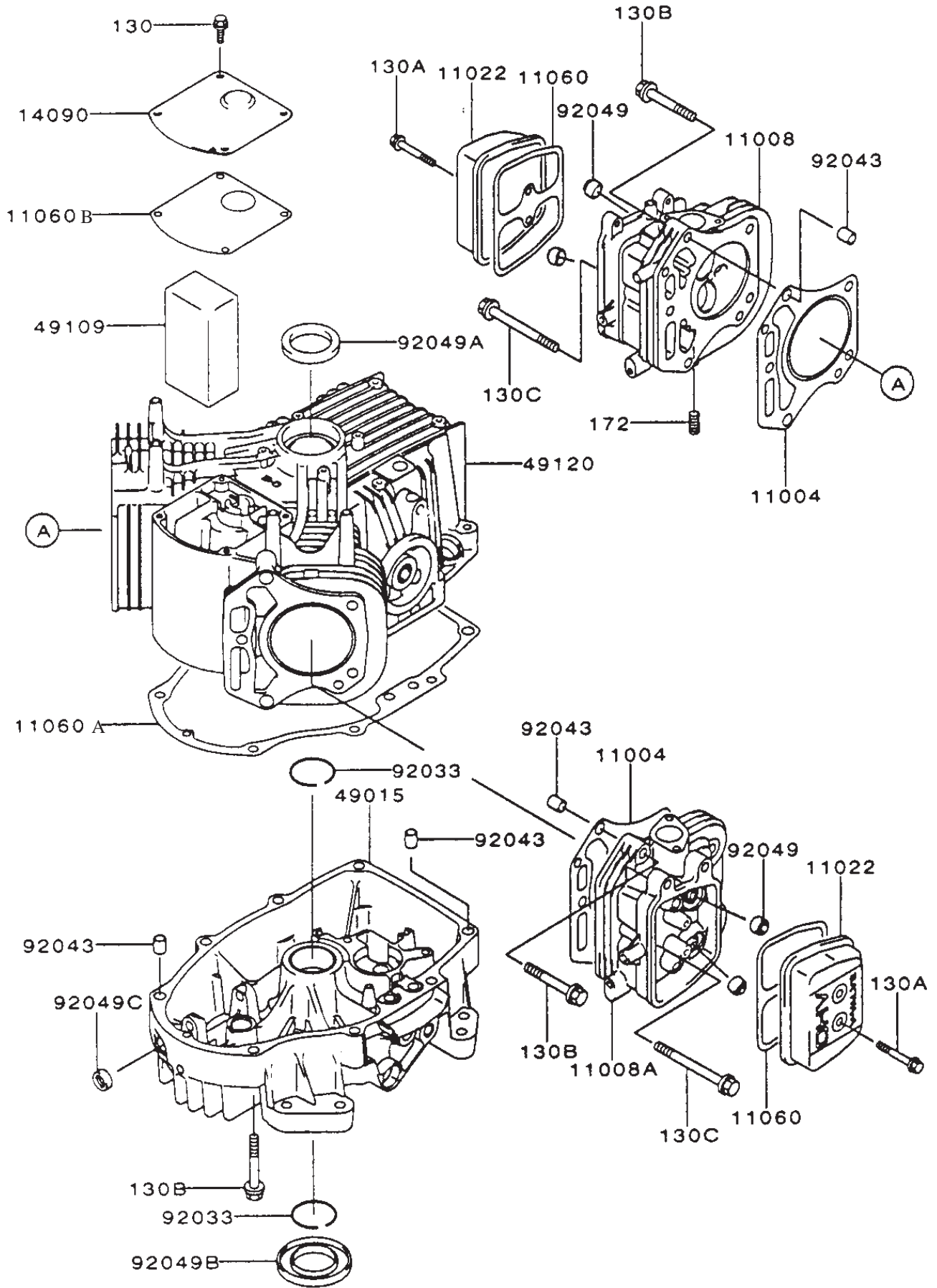
## Decals Kawasaki FH500V-AS29

Ref. No.	Part No.	Qty.	Description
56033	56033-7001	1	Label-Manual
56080	56080-2077	1	Label-Brand
56080A	56080-7001	1	Label-Brand

Ref. No.	Part No.	Qty.	Description

Obtain parts from your local Kawasaki dealer.

# Cylinder / Crankcase Assembly Kawasaki FH500V-AS29



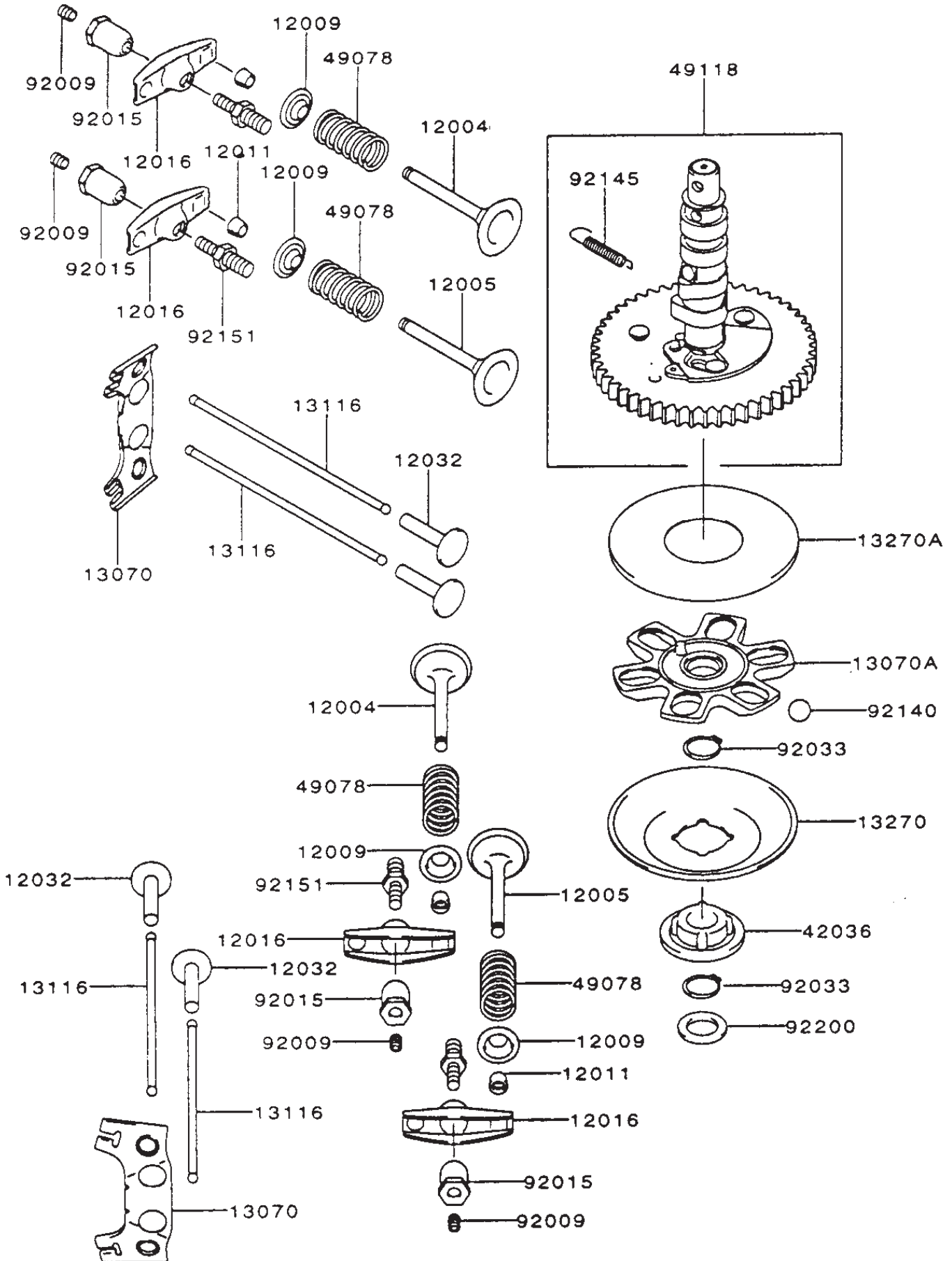
## Cylinder / Crankcase Assembly (Continued)

### Kawasaki FH500V-AS29

Ref. No.	Part No.	Qty.	Description	Ref. No.	Part No.	Qty.	Description
11004	11004-7001	2	Gasket-Head				
11008	11008-7001	1	Head-Comp-Cylinder No. 1				
11008A	11008-7002	1	Head-Comp-Cylinder No. 2				
11022	11022-7001	2	Case-Rocker				
11060	11060-7001	2	Gasket, Rocker Case				
11060A	11060-7008	1	Gasket, Crankcase Cover				
11060B	11060-7015	1	Gasket, Breather				
14090	14090-7001	1	Cover, Breather				
49015	49015-6215	1	Cover-Crankcase				
49109	49109-7002	1	Element-Breather				
49120	49120-6119	1	Crankcase-Comp				
92033	92033-7003	2	Ring-Snap				
92043	92043-7001	6	Pin				
92049	92049-7001	4	Seal-Oil				
92049A	92049-7002	1	Seal-Oil				
92049B	92049-7004	1	Seal-Oil				
92049C	92049-7005	1	Seal-Oil				
130	130B0612	4	Bolt-Flanged				
130A	130B0640	4	Bolt-Flanged				
130B	130T0850	17	Bolt-Flanged				
130C	130T0875	2	Bolt-Flanged				
172	172G0818	4	Bolt-Stud				

Obtain parts from your local Kawasaki dealer.

# Valve / Camshaft Assembly Kawasaki FH500V-AS29

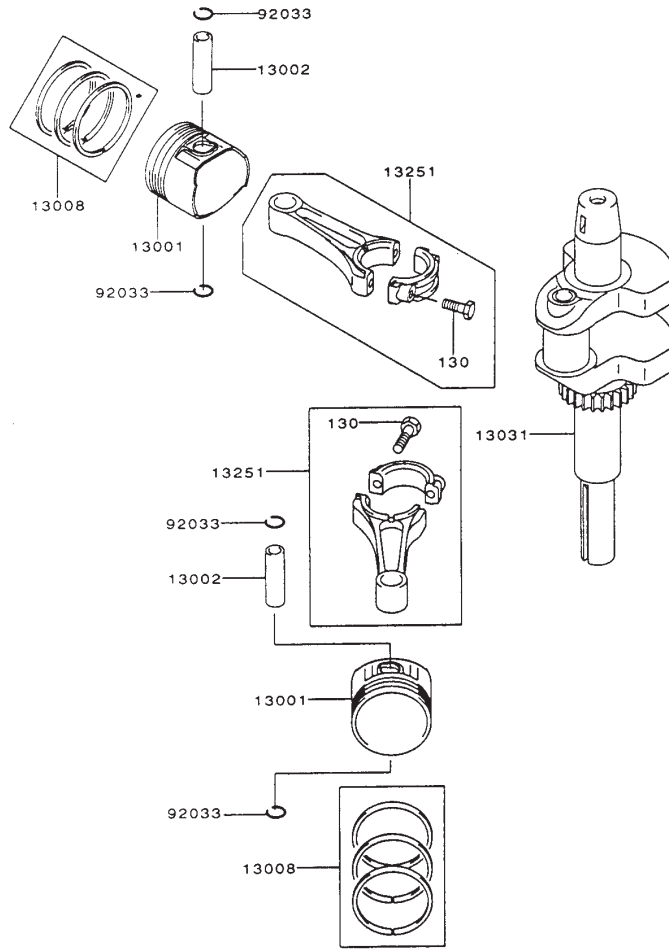


## Valve / Camshaft Assembly (Continued)

### Kawasaki FH500V-AS29

Ref. No.	Part No.	Qty.	Description	Ref. No.	Part No.	Qty.	Description
12004	12004-7001	2	Valve-Intake				
12005	12005-7001	2	Valve-Exhaust				
12009	12009-7001	4	Retainer-Valve Spring				
12011	12011-2056	8	Collet				
12016	12016-7001	4	Arm-Rocker				
12032	12032-7001	4	Tappet				
13070	13070-7001	2	Guide				
13070A	13070-7002	1	Guide				
13116	13116-2057	4	Rod-Push				
13270	13270-7002	1	Plate				
13270A	13270-7003	1	Plate				
42036	42036-7001	1	Sleeve				
49078	49078-7001	4	Spring-Engine Valve				
49118	49118-7002	1	Camshaft-Comp				
92009	92009-2341	4	Screw				
92015	92015-2253	4	Nut				
92033	92033-7001	2	Ring-Snap				
92140	92140-7002	6	Ball				
92145	92145-7001	1	Spring				
92151	92151-7001	4	Bolt				
92200	92200-7001	1	Washer				

Obtain parts from your local Kawasaki dealer.

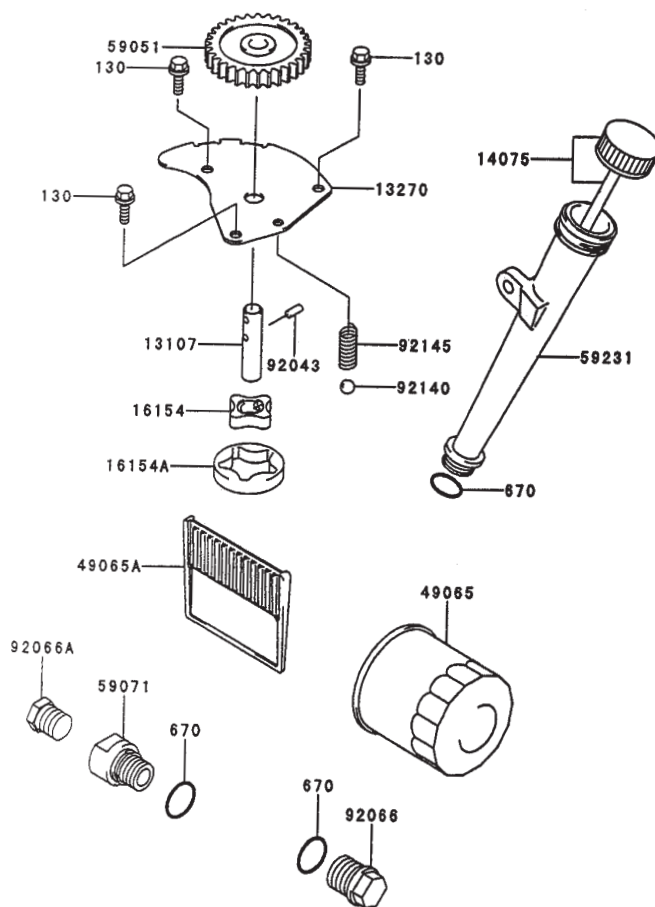


### Piston / Crankshaft Assembly Kawasaki FH500V-AS29

Ref. No.	Part No.	Qty.	Description
13001	13001-7001	2	Piston-Engine
13002	13002-7001	2	Pin-Piston
13008	13008-6055	2	Ring-Set-Piston
13031	13031-7001	1	Crankshaft-Comp
13251	13251-7001	2	Rod-Assy-Connecting
92033	92033-7002	4	Ring-Snap
130	130G0630	4	Bolt-Flanged

Ref. No.	Part No.	Qty.	Description

Obtain parts from your local Kawasaki dealer.

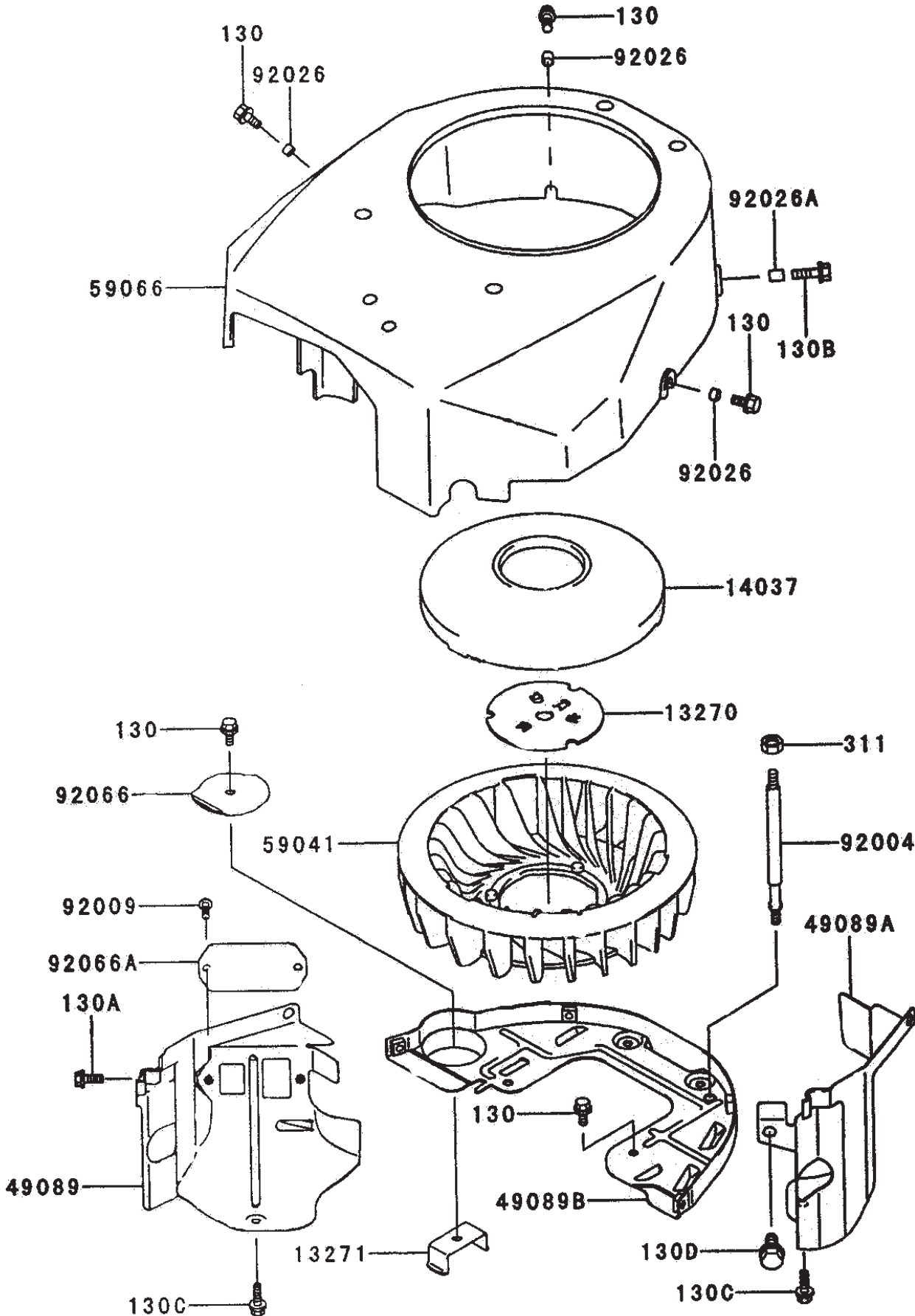


## Lubrication Equipment Assembly Kawasaki FH500V-AS29

Ref. No.	Part No.	Qty.	Description	Ref. No.	Part No.	Qty.	Description
13107	13107-2099	1	Shaft, Oil Pump				
13270	13270-7004	1	Plate				
14075	14075-7001	1	Cap-Assy				
16154	16154-2053	1	Rotor-Pump, Out				
16154A	16154-2054	1	Rotor-Pump, Out				
49065	49065-2078	1	Filter-Oil				
49065A	49065-7001	1	Filter-Oil				
59051	59051-7004	1	Gear-Spur				
59071	59071-7004	1	Joint				
59231	59231-7001	1	Filler				
92043	92043-7003	1	Pin				
92066	92066-7003	1	Plug				
92066A	92066-7006	1	Plug				
92140	92140-7003	1	Ball				
92145	92145-7002	1	Spring				
130	130B0612	3	Bolt-Flanged				
670	670D2016	3	O-Ring				

Obtain parts from your local Kawasaki dealer.

# Cooling Equipment Assembly Kawasaki FH500V-AS29



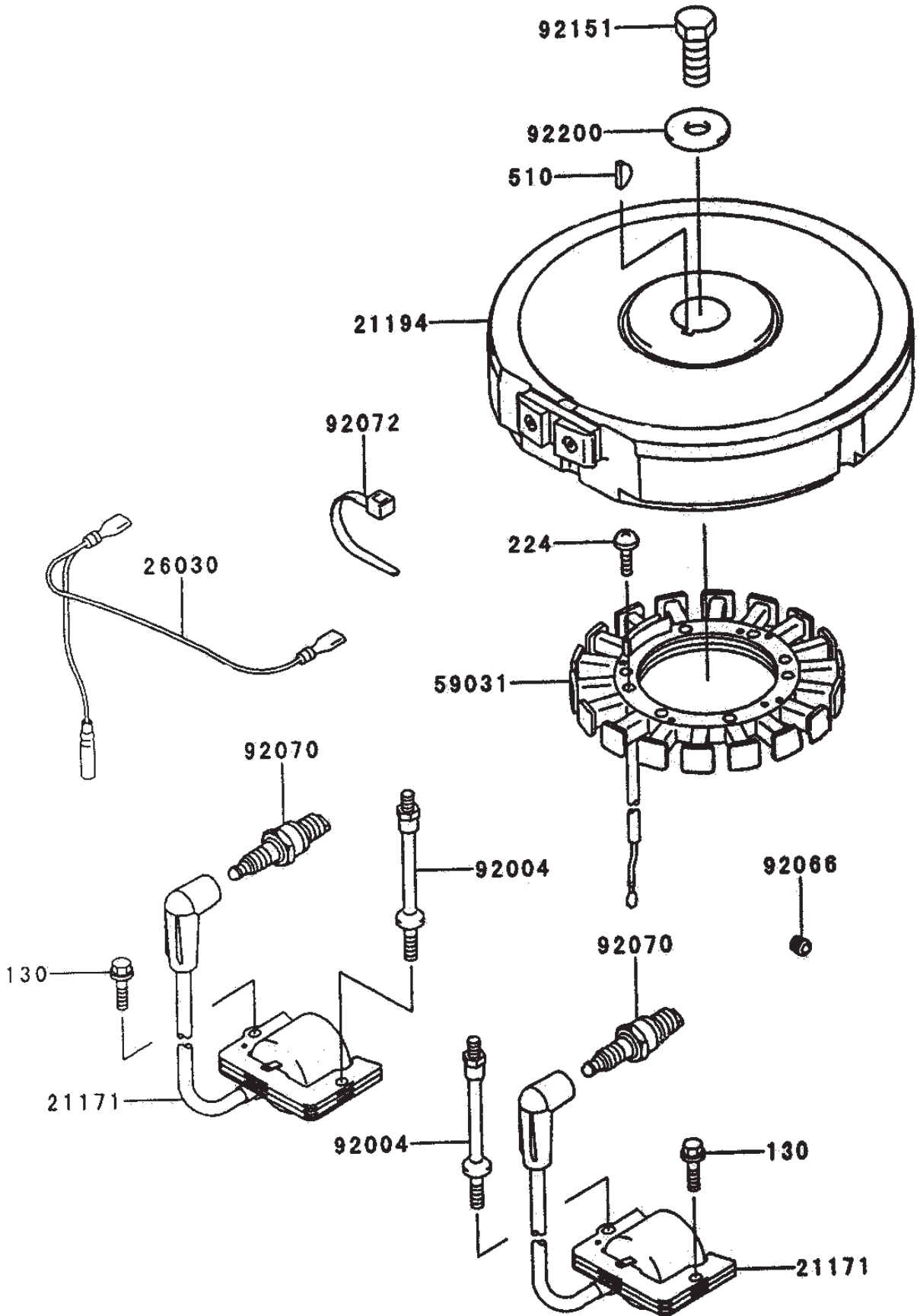
## Cooling Equipment Assembly (Continued)

### Kawasaki FH500V-AS29

Ref. No.	Part No.	Qty.	Description	Ref. No.	Part No.	Qty.	Description
130	130B0612	6	Bolt-Flanged				
130A	130B0616	2	Bolt-Flanged				
130B	130B0620	1	Bolt-Flanged				
130C	130B0625	2	Bolt-Flanged				
130D	130B0816	1	Bolt-Flanged				
13270	13270-7007	1	Plate				
13271	13271-7002	1	Plate				
14037	14037-7002	1	Screen				
311	311B0600	2	Nut-Hex				
49089	49089-7001	1	Shroud-Engine				
49089A	49089-7002	1	Shroud-Engine				
49089B	49089-7003	1	Shroud-Engine				
59041	59041-7001	1	Fan				
59066	59066-7002	1	Housing-Fan				
92004	92004-7006	2	Stud				
92009	92009-2308	2	Screw				
92026	92026-7001	3	Spacer, 6.2x7.9x5				
92026A	92026-7003	1	Spacer, 6.5x7.9x10.5				
92066	92066-7004	1	Plug				
92066A	92066-7004	1	Plug				

Obtain parts from your local Kawasaki dealer.

# Electrical Equipment Assembly Kawasaki FH500V-AS29



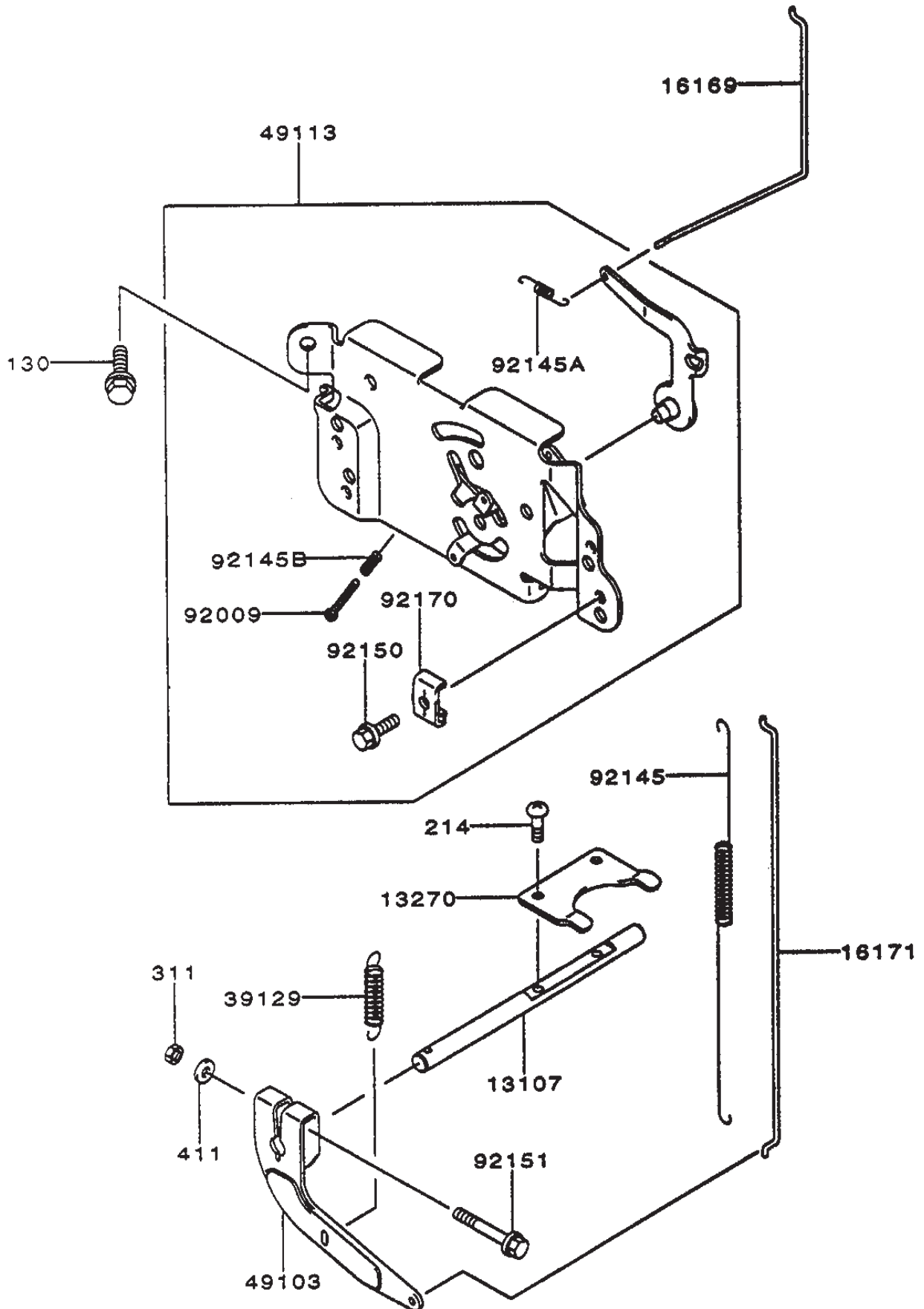
## Electrical Equipment Assembly (Continued)

### Kawasaki FH500V-AS29

Ref. No.	Part No.	Qty.	Description	Ref. No.	Part No.	Qty.	Description
21171	21171-7001	2	Coil-Assy-Ignition				
21194	21193-7001	1	Flywheel-Assy				
26030	26030-7001	1	Harness				
59031	59031-7002	1	Coil-Charging				
92004	92004-2147	2	Stud				
92066	92066-7002	1	Plug				
92070	92070-7001	2	Plug-Spark (RCJ8Y)				
92072	92072-7001	2	Band				
92151	92151-2097	1	Bolt, 12x30				
92220	92220-7002	1	Washer				
130	130B0620	2	Bolt-Flanged				
224	224B0520	4	Screw-Pan-WP-Cros				
510	510A5100	1	Key-Woodruff				

Obtain parts from your local Kawasaki dealer.

# Control Equipment Assembly Kawasaki FH500V-AS29



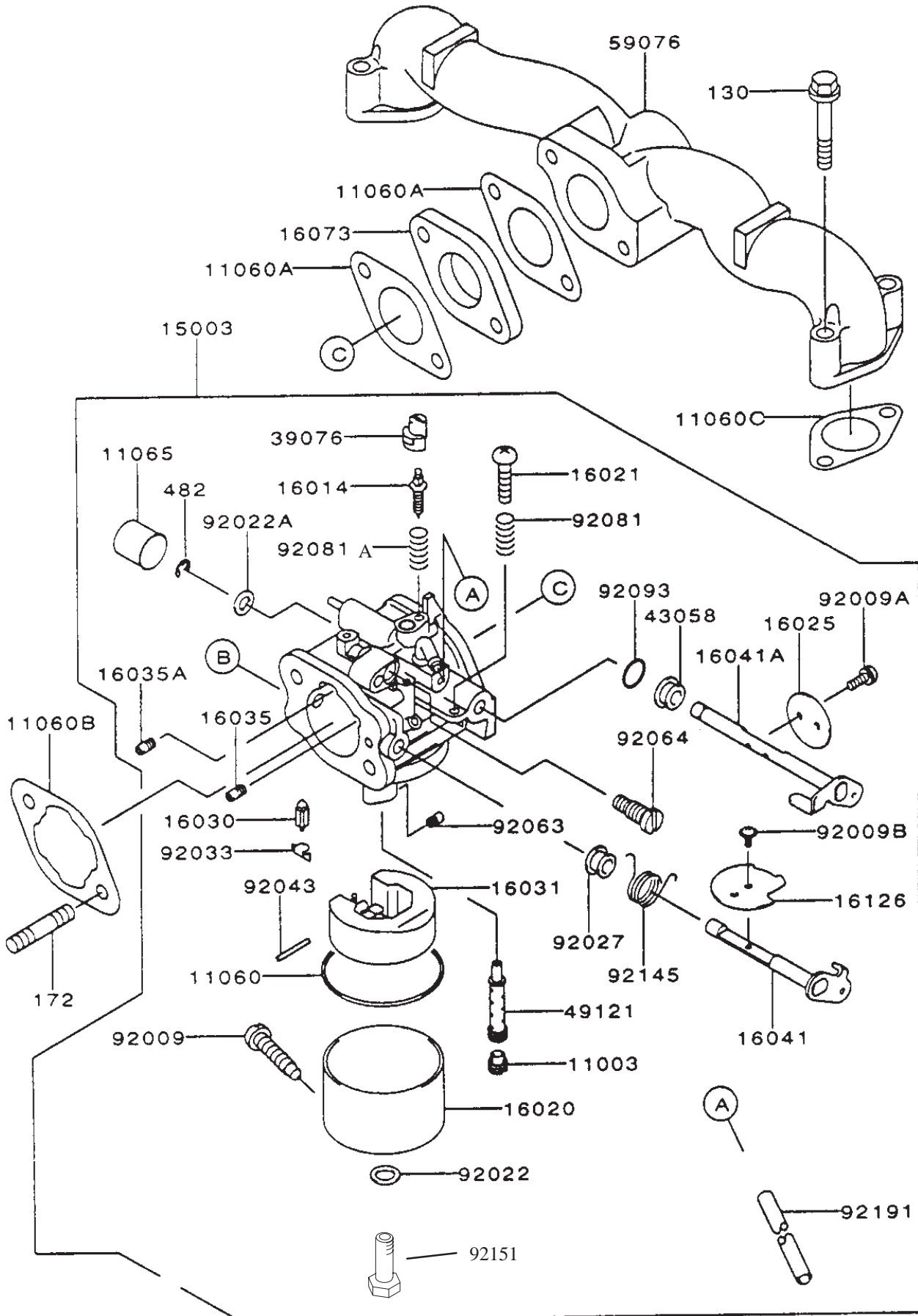
## Control Equipment Assembly (Continued)

### Kawasaki FH500V-AS29

Ref. No.	Part No.	Qty.	Description	Ref. No.	Part No.	Qty.	Description
13107	13107-7002	1	Shaft				
13270	13270-7006	1	Plate				
16169	16169-7001	1	Link-Choke				
16171	16171-7001	1	Link				
39129	39129-7003	1	Spring-Governor				
49103	49103-7001	1	Arm-Governor				
49113	49113-7001	1	Panel-Comp-Control				
92009	92009-7002	1	Screw, 4x30				
92145	92145-7003	1	Spring				
92145A	92145-7004	1	Spring				
92145B	92145-7005	1	Spring				
92150	92150-2182	1	Bolt, 5x18				
92151	92151-7006	1	Bolt, 6x30				
92170	92170-7001	1	Clamp				
130	130B0612	2	Bolt-Flanged				
214	214B0408	2	Screw-Pan				
311	311B0600	1	Nut-Hex				
411	411B0600	1	Washer-Plain				

Obtain parts from your local Kawasaki dealer.

# Carburetor Assembly Kawasaki FH500V-AS29

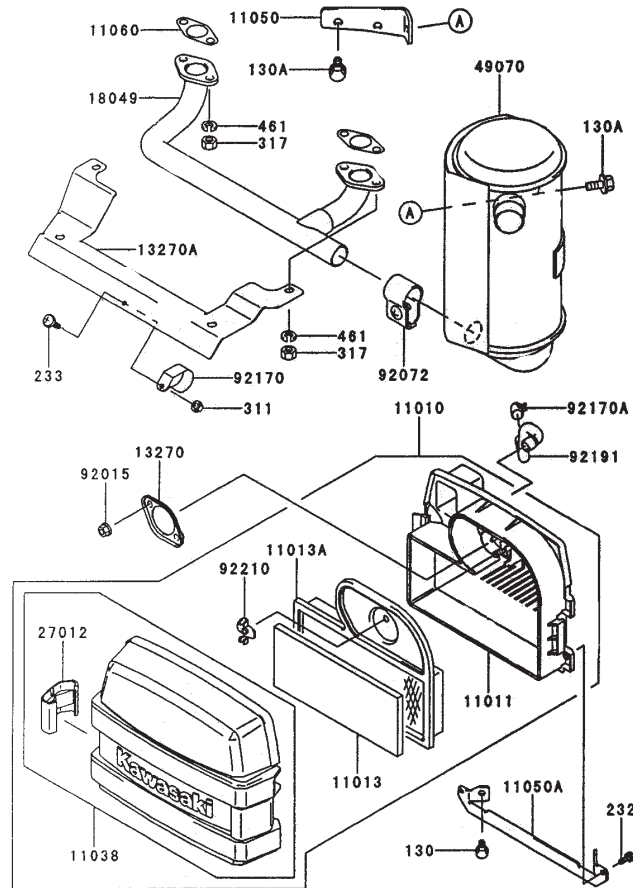


## Carburetor Assembly (Continued)

### Kawasaki FH500V-AS29

Ref. No.	Part No.	Qty.	Description	Ref. No.	Part No.	Qty.	Description
11003	11003-2105	1	Seat-Valve				
11060	11060-2406	1	Gasket				
11060A	11060-7003	2	Gasket, Insulator				
11060B	11060-7004	1	Gasket, Air Filter				
11060C	11060-7005	2	Gasket				
11065	11065-2061	1	Cap				
15003	15003-2698	1	Carburetor-Assy				
16014	16014-2080	1	Screw-Pilot Air				
16020	16020-2141	1	Chamber-Float				
16021	16021-2060	1	Screw-Throttlestop				
16025	16025-2193	1	Valve-Throttle, #130				
16030	16030-2067	1	Valve-Float				
16031	16031-2066	1	Float				
16035	16035-2060	1	Jet-Air, #1.7				
16035A	16035-2061	1	Jet-Air, #1.2				
16041	16041-2252	1	Shaft-Carburetor, Choke				
16041A	16041-2253	1	Shaft-Carburetor Throttle				
16073	16073-7001	1	Insulator				
16126	16126-2219	1	Valve				
39076	39076-2053	1	Limiter				
43058	43058-3716	1	Ring				
49121	49121-2222	1	Nozzle-Main				
59076	59076-7001	1	Manifold-Intake				
92009	92009-2015	1	Screw				
92009A	92009-2024	2	Screw				
92009B	92009-2081	1	Screw				
92022	92022-2231	1	Washer				
92022A	92022-2239	1	Washer				
92027	92027-2025	1	Collar				
92033	92033-2067	1	Ring-Snap				
92043	92043-2226	1	Pin				
92063	92063-2358	1	Jet-Main				
92064	92064-2125	1	Jet-Pilot				
92081	92081-2009	2	Spring				
92081A	92081-2256	1	Spring				
92093	92093-2002	1	Seal				
92145	92145-2061	1	Spring				
92151	92151-2092	1	Bolt				
92191	92191-7008	1	Tube				
130	130B0635	4	Bolt-Flanged				
172	172G0685	2	Bolt-Stud				
482	482L4000	1	Circlip-Type-E				

Obtain parts from your local Kawasaki dealer.

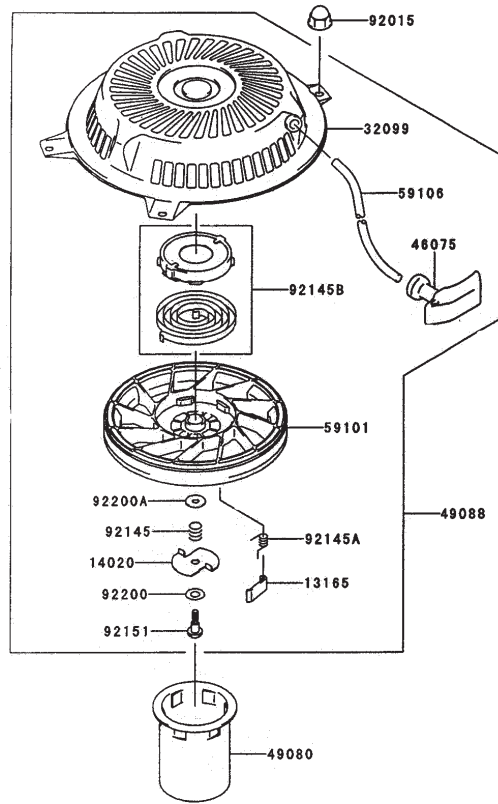


## Air Filter / Muffler Assembly Kawasaki FH500V-AS29

Ref. No.	Part No.	Qty.	Description	Ref. No.	Part No.	Qty.	Description
11010	11010-7001	1	Filter-Assy-Air	317	317R0800	4	Nut-Hex-Small
11011	11011-7001	1	Case-Air Filter	461	461F0800	4	Washer-Spring
11013	11013-7001	1	Element-Air Filter				
11013A	11013-7002	1	Element-Air Filter				
11038	11038-7001	1	Case-Assy-Air Filter				
11050	11050-7004	1	Bracket				
11050A	11050-7006	1	Bracket				
11060	11060-7006	2	Gasket, Muffler				
13270	13270-7001	1	Plate				
13270A	13270-7008	1	Plate				
18049	18049-7001	1	Pipe-Exhaust				
27012	27012-7001	2	Hook, Air Filter				
49070	49070-7002	1	Muffler-Comp				
92072	92072-7002	1	Band				
92015	92015-1193	2	Nut				
92170	92170-7002	1	Clamp				
92170A	92170-7003	1	Clamp				
92191	92191-7001	1	Tube				
92210	92210-7004	1	Nut				
130	130B0612	2	Bolt-Flanged				
130A	130B0816	2	Bolt-Flanged				
232	232B0514	2	Screw-Pan-WS				
233	233B0416	1	Screw-Pan WP				
311	311B0400	1	Nut-Hex				

Obtain parts from your local Kawasaki dealer.





## Starter Assembly Kawasaki FH500V-AS29

Ref. No.	Part No.	Qty.	Description
13165	13165-700	2	Pawl, Recoil Starter
14020	14020-7001	1	Retainer
32099	32099-7001	1	Case, Recoil Starter
46075	46075-7001	1	Grip-Recoil Starter
49080	49080-7001	1	Pulley-Starting
49088	49088-7001	1	Starter-Recoil
59101	59101-7001	1	Reel, Recoil Starter
59106	59106-7001	1	Rope
92015	92015-1170	4	Nut
92145	92145-7006	1	Spring
92145A	92145-7007	2	Spring
92145B	92145-7008	1	Spring
92151	92151-7008	1	Bolt
92200	92200-7004	1	Washer
92200A	92200-7005	1	Washer

Ref. No.	Part No.	Qty.	Description

Obtain parts from your local Kawasaki dealer.



