



Mid-Size Mower

ProLine Gear 10.5hp with 32in Side Discharge Mower

Model No. 30164-220000001 and Up

Parts Catalog

Ordering Replacement Parts

To order replacement parts, please supply: the part number, the quantity, and the description of each part desired.

Understanding Reference Numbers

Each identified part in an illustration has a reference number. The reference number for a part also appears in the parts list, along with other information about the part.

This catalog uses two special reference number formats, one to indicate parts in a service assembly and another to indicate the quantity of a given part in an illustration.

Service Assembly Reference Numbers

Parts in service assemblies have reference numbers in the form **a:b**. The **a** represents the reference number of the entire service assembly and the **b** represents a sequential number unique to each part within the service assembly.

For example, a wheel assembly might be identified by reference number **6**, the tire by **6:1**, the valve by **6:2**, and the wheel by **6:3**. When you order the assembly identified by reference number **6**, you receive all parts identified by reference numbers **6:1**, **6:2**, and **6:3**. However, you may also order any part individually.

Reference numbers of this type appear in illustrations and in part lists.

Reference Numbers Indicating Quantity

In an illustration, if a reference number indicates more than one part, the reference number has the form **nX y**. The **n** represents the quantity of the part, the **X** is the multiplication symbol, and the **y** represents the reference number.

For example, in an illustration, the reference number **2X 37** means that two of the parts identified by reference number **37** are indicated.

Contents

Description	Page	Description	Page
Engine and Fuel System Assembly	3	Air Cleaner and Muffler Assembly	
Transmission and Drive Pulley Assembly	4	Engine Briggs and Stratton Model	
Wheel Drive Assembly	6	28B702-1041-E1	17
Upper Handle Assembly	7	Governor Assembly	
Deck Assembly	8	Engine Briggs and Stratton Model	
Front Caster and Blade Brake Assembly	9	28B702-1041-E1	18
Spindle Assembly	11	Blower Housing Assembly	
Cylinder Head Assembly		Engine Briggs and Stratton Model	
Engine Briggs and Stratton Model		28B702-1041-E1	19
28B702-1041-E1	12	Starter Assembly	
Crankshaft Assembly		Engine Briggs and Stratton Model	
Engine Briggs and Stratton Model		28B702-1041-E1	20
28B702-1041-E1	13	Gasket Assembly	
Crankcase Assembly		Engine Briggs and Stratton Model	
Engine Briggs and Stratton Model		28B702-1041-E1	21
28B702-1041-E1	14	Gasket Assembly (Continued)	
Carburetor Assembly		Engine Briggs and Stratton Model	
Engine Briggs and Stratton Model		28B702-1041-E1	22
28B702-1041-E1	15		
Carburetor Assembly			
Engine Briggs and Stratton Model			
28B702-1041-E1	16		

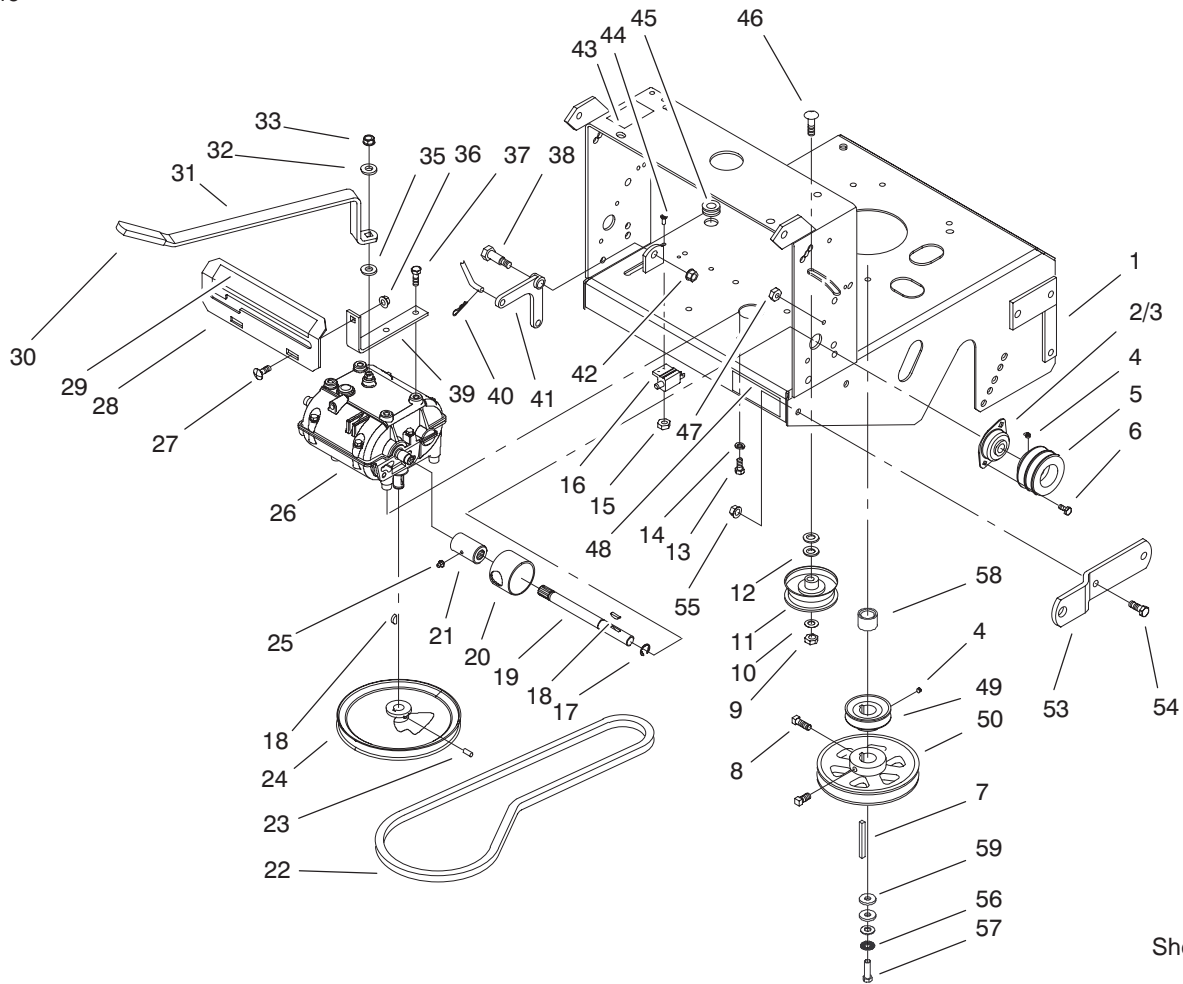
Accessories

Description	Model / Part No.	Description	Model / Part No.
Soft Bagger	30198		

Part Description Abbreviations

Part descriptions in this catalog may include the following abbreviations.

Abbreviation	Meaning	Abbreviation	Meaning
AR	as required	HYD	hydraulic
ASM	assembly	INC	incorporated
CARR	carriage	LH	left hand
DEG	degrees	NI	nylon insert
FH	flat head	PPH	Phillips pan head
GA	gauge	PTH	Phillips truss head
HF	hex flange	PTO	power take off
HH	hex head	RH	right hand
HHF	hex head flange	SFH	slotted fillister head
HLH	hex lag head	SHH	slotted hex head
HJ	hex jam	SQH	square head
HOC	height-of-cut	SHWH	slotted hex washer head
HS	hex socket	SPH	slotted pan head
HSBH	hex socket button head	SRH	slotted round head
HSFH	hex socket flat head	STD	standard
HSH	hex socket head	TAP	self tapping
HWH	hex washer head	TTH	Torx truss head
HWHTF	hex washer head thread forming	WH	wing head

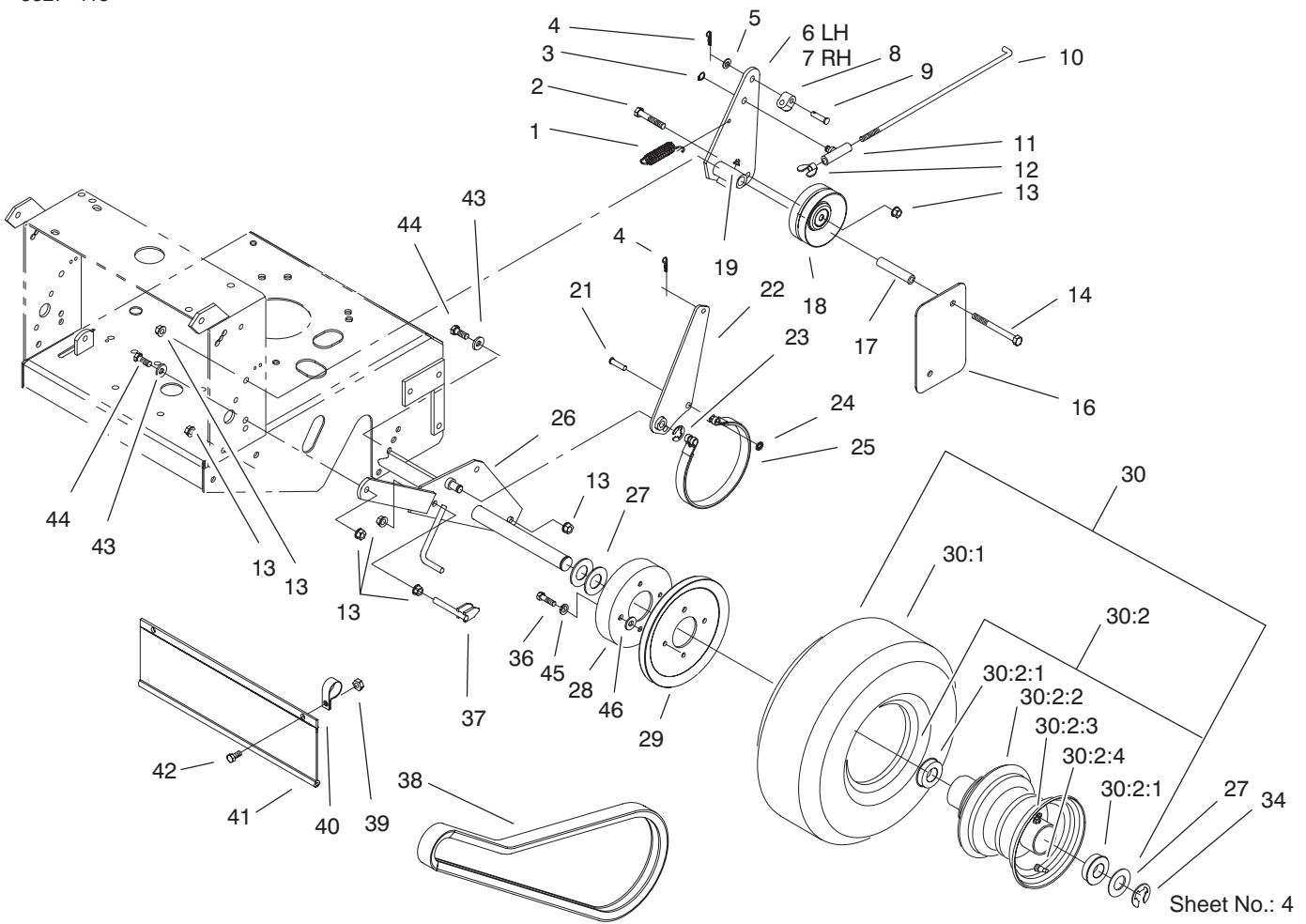


Sheet No.: 3

Transmission and Drive Pulley Assembly

Ref. No.	Part No.	Qty.	Description
1	1-402112-01	1	Deck-Rear
2	1-323252	2	Bearing-Shaft
3	1-323254	2	Flange-Output
4	1-803310	3	Screw-Set
5	1-323363-03	2	Sheave-Transmission
6	321-3	4	Screw-HH
7	5-1336	1	Key
8	3242-4	2	Screw-Set, SQH
9	3296-39	1	Nut-Lock, NI
10	3256-24	1	Washer-Flat
11	1-323285	1	Idler-Drive, Transmission
12	3256-5	2	Washer-Flat
13	322-3	4	Screw-HH
14	1-805005	4	Washer-Lock
15	3296-2	2	Nut-Lock
16	1-513152	1	Switch-Closed, Normally
17	32151-62	2	Ring-Retaining
18	3257-5	3	Key-Woodruff
19	1-323502	2	Shaft-Transmission
20	51-4220	2	Guard-Coupler
21	1-323680	2	Coupler
22	1-323630	1	V-Belt
23	3245-41	2	Screw-HSH
24	1-323278	1	Sheave-Transmission

Ref. No.	Part No.	Qty.	Description
25	302-19	2	Fitting-Grease
26	1-323500	1	Transmission
27	3230-1	2	Screw-CARR
28	1-323387-03	1	Plate-Shift
29	98-3256	1	Decal-Speed, Ground
30	1-303020	1	Grip-Lever
31	98-3274-03	1	Lever-Shift
32	98-5975	1	Washer-Belleville
33	3296-6	1	Nut-Lock, NI
35	1-323379	1	Washer-Lever, Shifter
36	32128-20	2	Nut-HF
37	32104-32	4	Screw-HH
38	1-603403	1	Bolt-Shoulder
39	1-323389-03	2	Bracket-Plate, Shift
40	1-806003	1	Pin-Hair
41	1-303186	1	Bellcrank
42	3290-357	1	Nut-HHF
43	95-2814	1	Decal-Shut Off, Fuel
44	3290-500	2	Screw-PPH
45	1-543296	1	Grommet-Line, Fuel
46	3231-6	1	Screw-CARR
47	3296-42	4	Nut-Lock, NI
48	98-0776	1	Decal-Caution
49	1-323256	1	Sheave-Transmission
50	1-403160	1	Sheave
53	1-323318-01	2	Hitch-Sulky

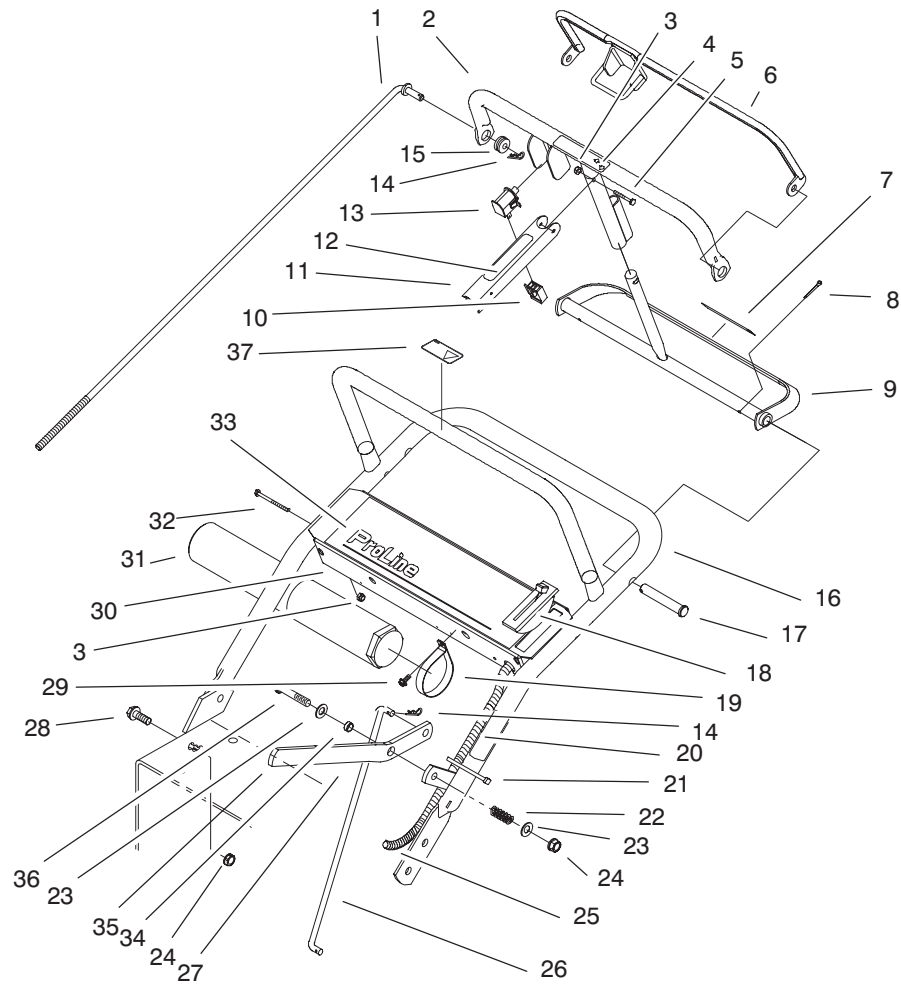


Wheel Drive Assembly

Ref. No.	Part No.	Qty.	Description
1	98-3273	2	Spring-Extension
2	323-10	2	Screw-HH
3	32151-47	2	Ring-Retaining
4	1-806003	4	Pin-Hair
5	3256-23	2	Washer-Flat
6	104-1321-03	1	RH Idler Arm ASM
7	104-1322-03	1	LH Idler Arm ASM
8	74-0521	2	Fitting-Rod
9	283-6	2	Pin-Clevis
10	1-323296	2	Rod-Brake
11	1-322125	2	Swivel-Brake
12	1-513959	2	Wingnut-Nylock
13	3290-357	14	Nut-HHF
14	323-16	4	Screw-HH
16	98-5131-01	2	Shield-Wheel, Drive
17	1-323694	4	Spacer-Shield
18	1-323634	2	Idler-Drive, Wheel
19	302-19	2	Fitting-Grease
21	1-323307	4	Pin-Clevis
22	1-322209-03	2	Arm-Brake
23	32120-47	2	Ring-Retaining, External
24	1-803051	4	Nut-Push
25	1-323595	2	Band-Brake
26	1-322232-03	1	Axle ASM
27	1-543436	8	Washer-Spacer

Ref. No.	Part No.	Qty.	Description
27	1-523157	6	Washer-Spacer
28	1-323261	2	Drum-Brake
29	1-323349	2	Sheave-Wheel, Drive
☆30		2	Wheel & Tire ASM
30:1	1-323361	1	Tire
30:2	1-323360	1	Wheel & Hub ASM
30:2:1	1-323329	2	Bearing-Flanged
☆30:2:2		1	Rim ASM
☆30:2:3		1	Fitting-Grease
☆30:2:4		1	Valve Stem & Cap
34	1-808519	2	Ring-Snap
36	322-5	8	Screw-HH
37	1-603430	2	Scraper
38	1-323744	2	Belt-Drive, Wheel
39	3296-29	2	Nut-Lock, NI
40	2412-104	2	R-Clamp
41	98-3259	1	Shield-Trailing
42	322-3	2	Screw-HH
43	98-5975	4	Washer-Belleville
44	323-6	4	Screw-HH
45	1-373034	8	Washer-Swivel
46	1-805005	8	Washer-Lock

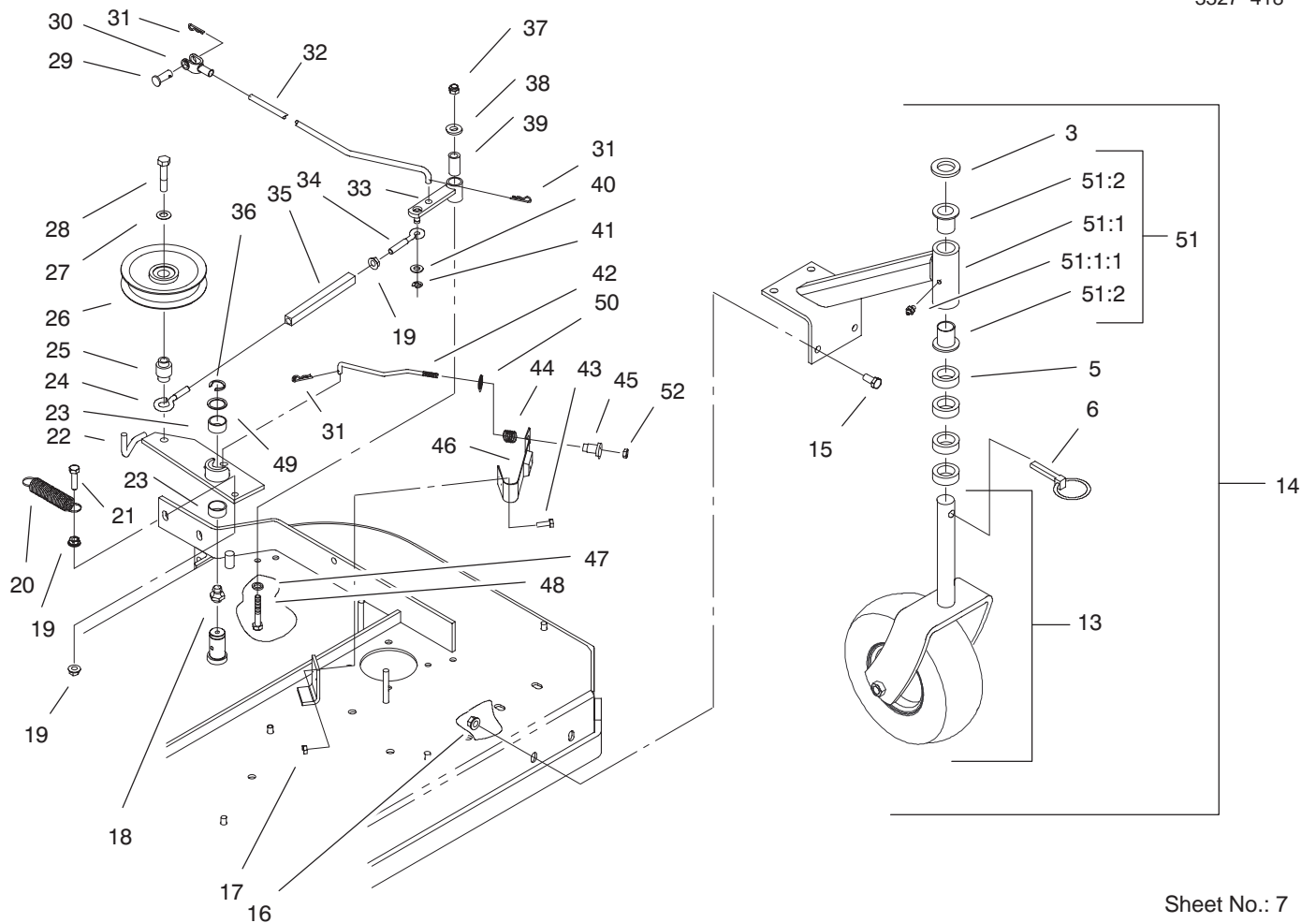
☆ Not serviced separately



Sheet No.: 5

Upper Handle Assembly

Ref. No.	Part No.	Qty.	Description	Ref. No.	Part No.	Qty.	Description
1	98-3282	2	Rod-Control	26	98-3279	1	Linkage-Drive, Blade
2	95-5522-03	1	Control Bar ASM	27	98-3287-03	1	Lever-Engagement, Blade
3	3296-2	5	Nut-Lock	28	323-6	4	Screw-HH
4	82-2290	1	Decal-Bar, Control	29	32104-76	2	Screw
5	32105-1	1	Screw-SHH	30	1-304259	1	Panel-Control
6	98-3289-03	1	Bail ASM	31	74-0720	1	Tube-Manual
7	82-2280	1	Decal-Handle, Reverse	32	32105-14	4	Screw
8	3272-11	2	Pin-Cotter	33	95-5437	1	Decal-Panel, Control
9	99-8501-03	1	Control-Pivot	34	99-8509	1	Spacer
10	218-595	1	Connector-Body	35	1-303020	1	Grip-Lever
11	98-3261-03	1	Lever-Brake, Parking	36	323-10	1	Screw-HH
12	98-3266	1	Decal-Brake, Parking	37	98-4387	1	Decal-Protection, Ear
13	740275	1	Switch-Seat				
14	1-806003	3	Pin-Hair				
15	237-141	2	Grommet-Rubber				
16	98-3267-01	1	Upper Handle ASM				
17	283-55	2	Pin-Clevis				
18	100-6485	1	Control-Throttle				
19	2412-120	2	R-Clamp				
20	95-5537	1	Decal-Engage, Deck				
21	1-303335	1	Tie-Plastic				
22	1-303160	1	Spring-Compression				
23	3256-24	2	Washer-Flat				
24	3296-39	5	Nut-Lock, NI				
25	100-6484	1	Harness-Wire				

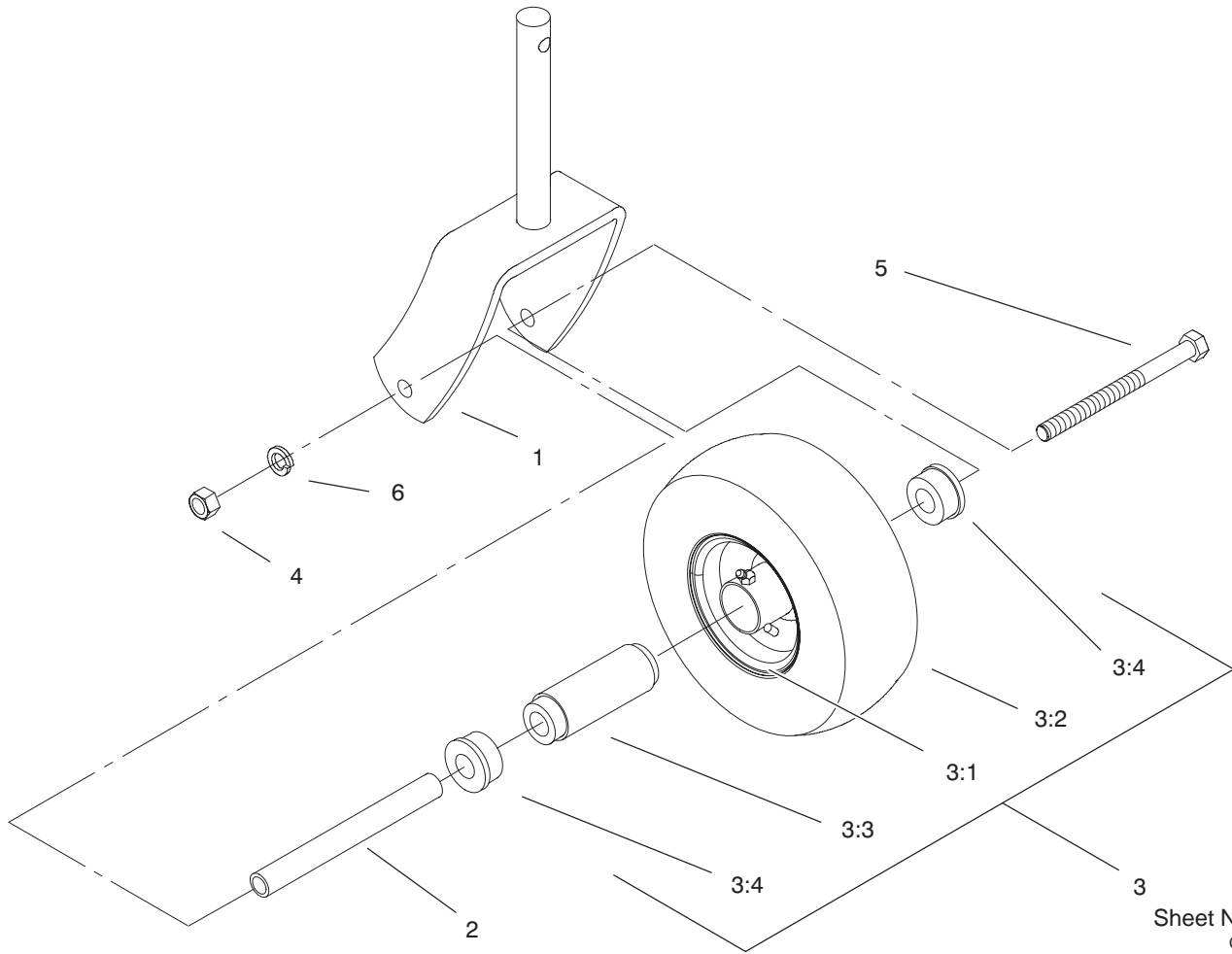


Sheet No.: 7

Front Caster and Blade Brake Assembly

Ref. No.	Part No.	Qty.	Description
3	1-513338	2	Washer-Flat
5	1-303314	8	Spacer-Caster
6	1-809020	2	Pin
13	1-322154	2	Caster/Wheel ASM
14	1-322153	2	Caster/Mount ASM
15	323-4	8	Screw-HH
16	3290-357	8	Nut-HHF
17	3296-42	2	Nut-Lock, NI
18	302-19	1	Fitting-Grease
19	32128-20	3	Nut-HF
20	1-323071	1	Spring-Extension
21	322-6	1	Screw-HH
22	1-324408	1	Idler Arm/Bushings ASM
23	1-323729	2	Sleeve-Bearing
24	1-303348	1	Eyebolt-LH Thread
25	1-303434	1	Bushing-Engagement
26	1-603843	1	Pulley-Idler
27	98-5975	1	Washer-Belleville
28	323-10	1	Screw-HH
29	1-808280	1	Pin-Clevis
30	1-303105	1	Yoke-Adjustable
31	1-806003	3	Pin-Hair
32	1-323303	1	Linkage-Arm
33	1-322235	1	Arm
34	1-303238	1	Eyebolt-RH Thread

Ref. No.	Part No.	Qty.	Description
35	1-303236	1	Body-Turnbuckle
36	32151-103	1	Ring-Snap
37	3296-29	1	Nut-Lock, NI
38	3256-3	1	Washer-Flat
39	1-403179	1	Tube-Pivot
40	3256-23	1	Washer-Flat
41	32120-35	1	E-Ring
42	1-323718	1	Rod-Brake
43	321-4	2	Screw-HH
44	1-323747	1	Spring-Compression
45	1-323746	1	Spacer-Flanged
46	1-324372	1	Pad/Spring ASM
47	1-303334	1	Washer-Spring
48	322-10	1	Screw-HH
49	1-303352	1	Washer-Spindle
50	1-323748	1	Ring-Push On
51	1-302203	2	Support ASM
51:1	1-302194-01	1	Support-Caster
51:1:1	302-52	1	Fitting-Grease
51:2	1-303514	2	Bearing-Flanged
52	3296-56	1	Nut-Lock, NI



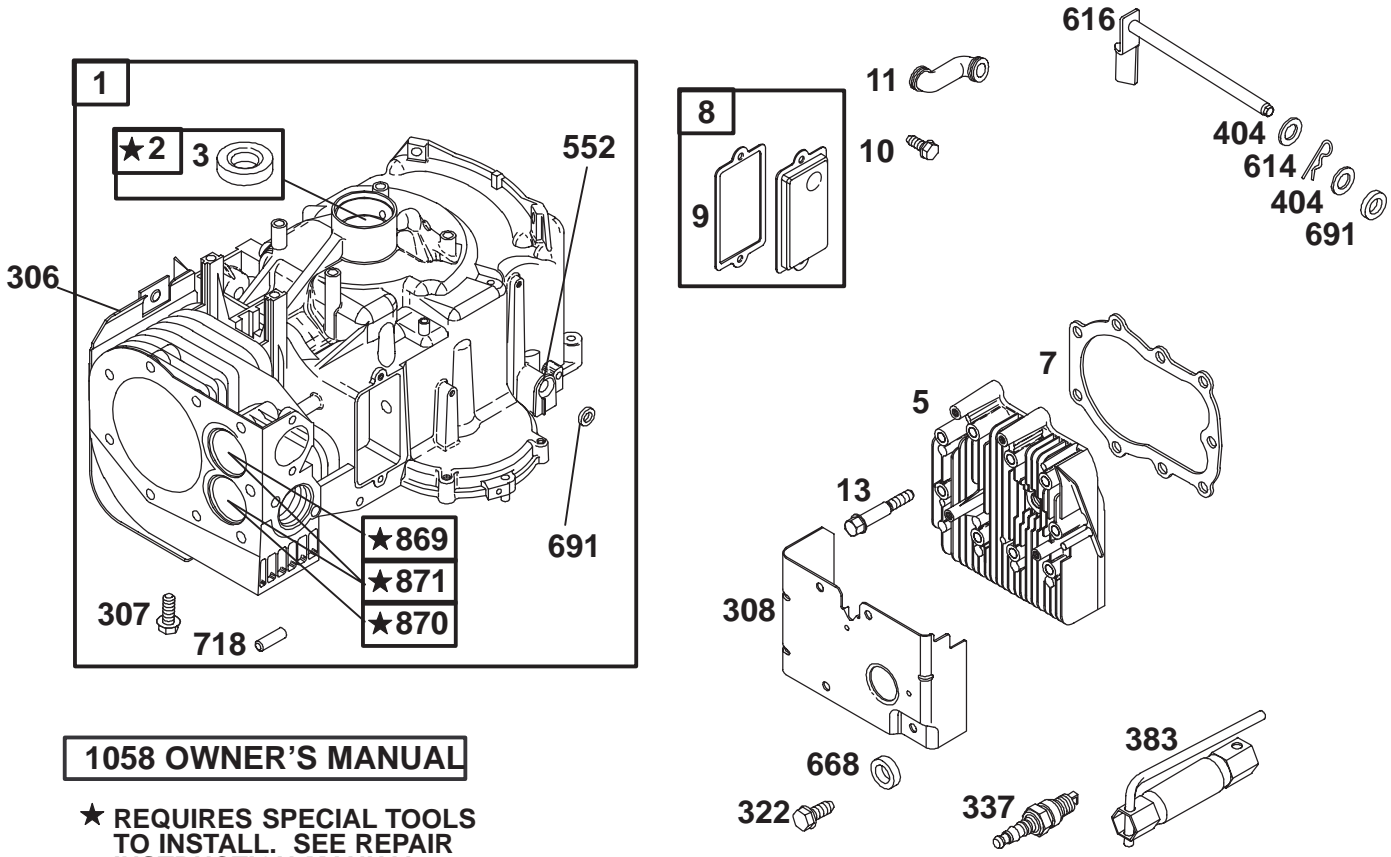
Sheet No.:A1
C-3025

Caster and Wheel Assembly No. 1-322154

Ref. No.	Part No.	Qty.	Description
1	1-322145-01	1	Fork
2	1-513547	1	Spacer
3	1-513648	1	Wheel & Tire ASM
☆3:1		1	Rim
3:2	1-513808	1	Tire
3:3	1-513809	1	Bearing
3:4	1-513810	2	Bushing
4	3217-9	1	Nut-HH
5	325-20	1	Screw-HH
6	3253-7	1	Washer-Lock

Ref. No.	Part No.	Qty.	Description

☆ Not serviced separately



Assemblies include all parts shown in frames.

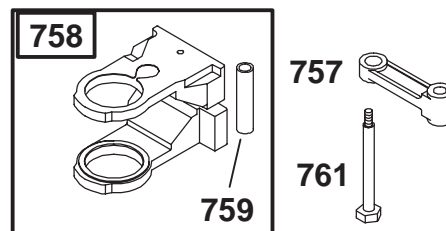
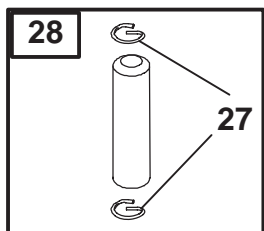
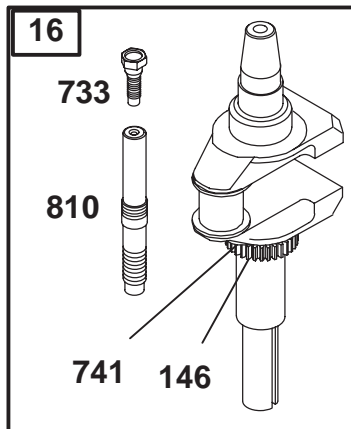
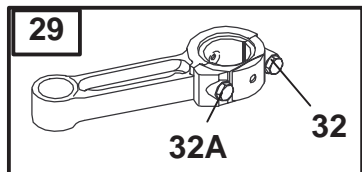
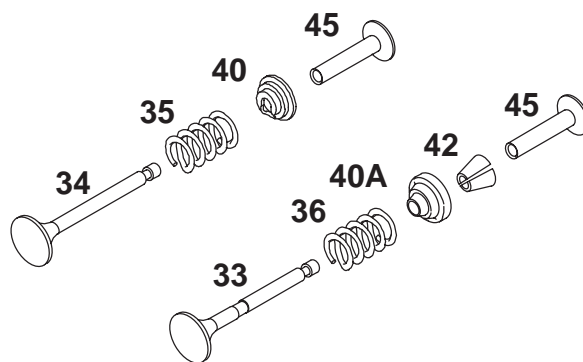
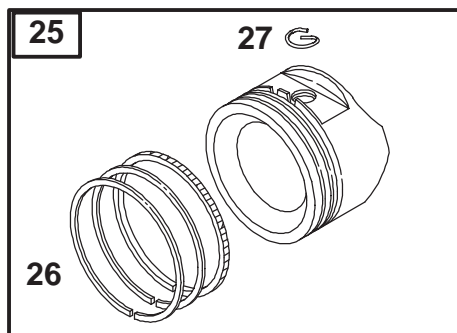
Cylinder Head Assembly Engine Briggs and Stratton Model 28B702-1041-E1

Ref. No.	Part No.	Qty.	Description
1	496413	1	Cylinder Assembly
2	399265	1	Bearing/Seal Kit
★3	391086	1	Oil Seal
5	494240	1	Cylinder Head
Δ★7	271866	1	Cylinder Head Gasket
8	495735	1	Breather Assembly
Δ★9	27803	1	Valve Cover Gasket
10	691666	1	Screw (Breather Assembly)
11	280100	1	Breather Tube
13	94622	1	Screw (Cylinder Head)
306	690459	1	Cylinder Shield
307	94930	1	Screw (Cylinder Shield)
308	491490	1	Cylinder Head Cover
322	94786	1	Screw (Cylinder Head Cover)
337	802592	1	Spark Plug
383	89838	1	Spark Plug Wrench
404	94927	1	Washer (Governor Crank)
552	491986	1	Governor Crank Bushing
614	93306	1	Cotter Pin
616	495157	1	Governor Crank

Ref. No.	Part No.	Qty.	Description
668	690510	1	Spacer
★691	491323	1	Governor Shaft Seal
718	230192	1	Locating Pin
869	261463	1	Valve Seat (Intake)
870	262924	1	Valve Seat (Exhaust)
871	261961	1	Bushing Guide (Exhaust Valve)
	231218	1	Bushing Guide (Intake Valve, Brass)
1058	274269	1	Owner's Manual

Δ Included in Valve Overhaul Gasket Set-Ref. 1095.
 ★ Included in Engine Gasket Set-Ref. 358.

● Included in Carburetor Overhaul Kit-Ref. 121.
 ◆ Included in Carburetor Gasket Set-Ref. 977.



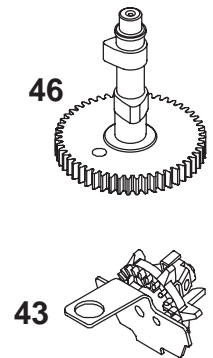
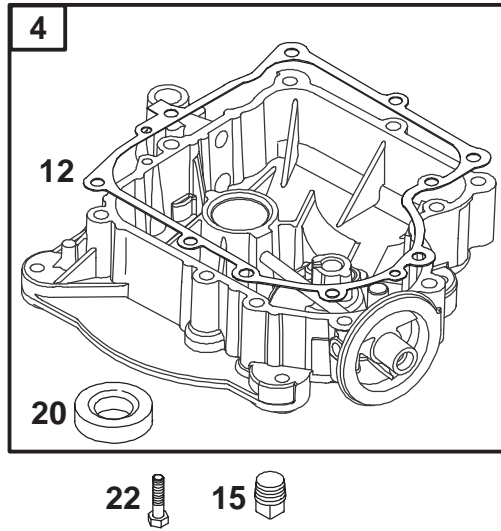
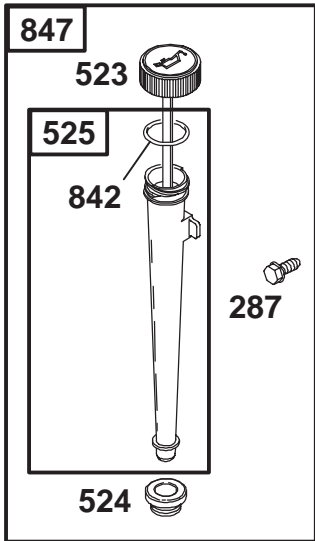
Crankshaft Assembly Engine Briggs and Stratton Model 28B702-1041-E1

Ref. No.	Part No.	Qty.	Description
16	693944	1	Crankshaft
24	222698	1	Flywheel Key
25	499282	1	Piston Assembly (Standard)
	394662	1	Piston Assembly (.010 O.S.)
	394663	1	Piston Assembly (.020 O.S.)
	394664	1	Piston Assembly (.030 O.S.)
26	391780	1	Ring Set (Standard)
	392331	1	Ring Set (Standard, Chrome)
	391781	1	Ring Set (.010 O.S.)
	391782	1	Ring Set (.020 O.S.)
	499999	1	Ring Set (.030 O.S.)
27	691299	1	Piston Pin Lock
28	498319	1	Piston Pin (Standard)
	498320	1	Piston Pin (.005 O.S.)
29	494504	1	Connecting Rod (Standard)
	495490	1	Connecting Rod (.020 Undersize)
32	691133	1	Screw

Ref. No.	Part No.	Qty.	Description
		1	(Connecting Rod 1 7/8")
32A	690348	1	Screw (Connecting Rod 1 5/8")
33	262246	1	Exhaust Valve
34	262247	1	Intake Valve
35	65906	1	Valve Spring (Intake)
36	26828	1	Valve Spring (Exhaust)
40	221596	1	Valve Retainer
40A	292260	1	Valve Retainer
42	494553	1	Valve Keeper
45	262248	1	Valve Keeper
146	94196	1	Timing Key
733	94673	1	Screw (Crankshaft Extension)
741	691284	1	Timing Gear
757	213998	1	Counterweight Link
758	399891	1	Counterweight
759	691239	1	Counterweight Pin
761	691096	1	Screw (Counterweight)
810	231828	1	Crankshaft Extension

△ Included in Valve Overhaul Gasket Set-Ref. 1095.
 ★ Included in Engine Gasket Set-Ref. 358.

● Included in Carburetor Overhaul Kit-Ref. 121.
 ◆ Included in Carburetor Gasket Set-Ref. 977.



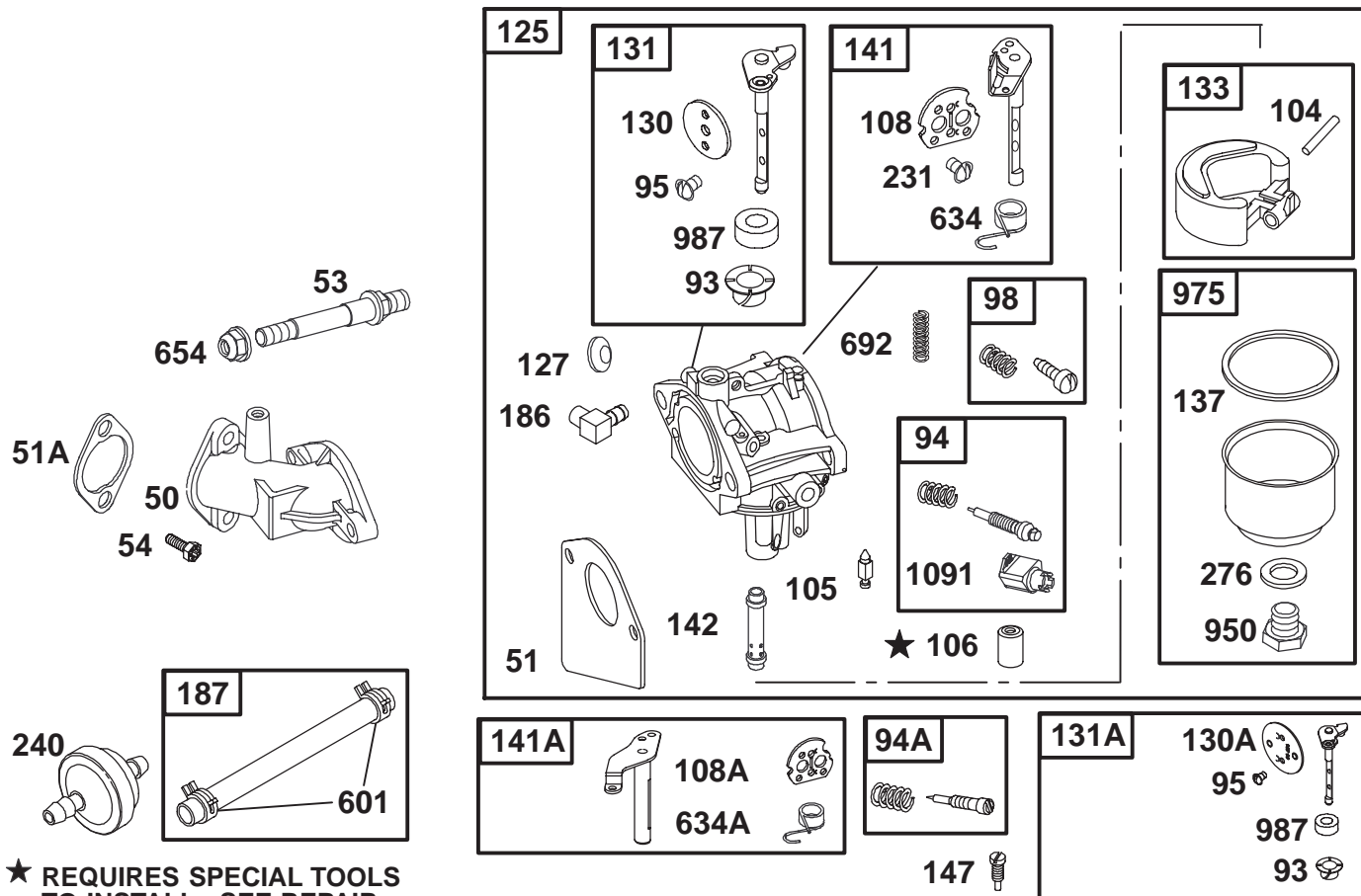
Crankcase Assembly Engine Briggs and Stratton Model 28B702-1041-E1

Ref. No.	Part No.	Qty.	Description
4	494238	1	Engine Base
★12	271916	1	Crankcase Gasket (.015 Thick, Std.)
★	271997	1	Crankcase Gasket (.005 Thick)
★	271996	1	Crankcase Gasket (.009 Thick)
15	94239	1	Oil Drain Plug
19	490666	1	Bushing/Seal Kit
★20	291675	1	Oil Seal
22	692125	1	Screw (Engine Sump)
43	490815	1	Governor/Oil Slinger
46	692123	1	Camshaft
287	691002	1	Screw (Dipstick Tube)
523	495229	1	Dipstick
★524	281370	1	Dipstick Tube Seal
525	690841	1	Dipstick Tube
★842	270920	1	Dipstick/Tube Seal
847	496367	1	Dipstick/ Tube Assembly

Ref. No.	Part No.	Qty.	Description

△ Included in Valve Overhaul Gasket Set-Ref. 1095.
★ Included in Engine Gasket Set-Ref. 358.

● Included in Carburetor Overhaul Kit-Ref. 121.
◆ Included in Carburetor Gasket Set-Ref. 977.



★ REQUIRES SPECIAL TOOLS TO INSTALL. SEE REPAIR INSTRUCTION MANUAL.

Assemblies include all parts shown in frames.

Carburetor Assembly Engine Briggs and Stratton Model 28B702-1041-E1

Ref. No.	Part No.	Qty.	Description
50	213819	1	Intake Manifold
◆51	272465	1	Intake Gasket
Δ★51A	272554	1	Intake Gasket
53	691098	1	Stud (Carburetor)
54	94913	1	Screw (Intake Manifold)
●93	690602	1	Throttle Shaft Bushing
94	498030	1	Idle Mixture Kit
94A	496589	1	Idle Mixture Kit
●95	94098	1	Screw (Throttle Valve)
98	495800	1	Idle Speed Kit
●104	690525	1	Float Hinge Pin
●105	231855	1	Float Needle Valve
●106	231854	1	Inlet Seat
108	692344	1	Choke Valve (Manual Choke)
108A	690467	1	Valve-Choke (Choke A Matic)
125	498027	1	Carburetor
●127	695005	1	Welch Plug
130	690468	1	Throttle Valve
130A	224539	1	Throttle Valve
131	494885	1	Throttle Shaft Kit
131A	494379	1	Throttle Shaft Kit

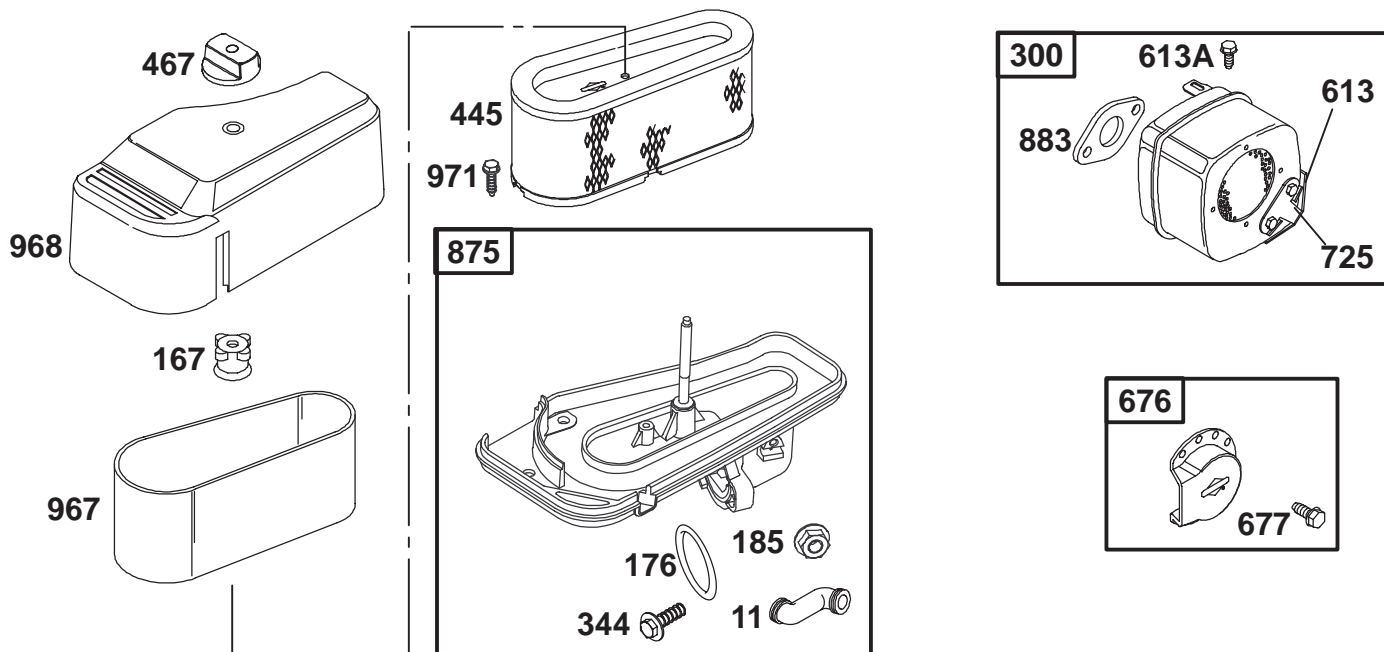
Ref. No.	Part No.	Qty.	Description
133	494381	1	Carburetor Float
◆137	281165	1	Float Bowl Gasket
141	495097	1	Choke Shaft Kit (Manual Choke)
141A	495931	1	Choke Shaft Kit (Choke A Matic)
●142	499037	1	Carburetor Nozzle
●147	497472	1	Pilot Jet
186	493496	1	Hose Connector
187	298049	1	Fuel Line (Cut to Required Length)
240	298090	1	Filter-Fuel
◆276	281164	1	Sealing Washer
601	93053	1	Hose Clamp
●634	690801	1	Spring/Seal Assembly
●634A	690802	1	Spring/Seal Assembly
654	94010	1	Nut (Carburetor)
950	94642	1	Float Bowl Screw
975	495933	1	Float Bowl
●987	691326	1	Throttle Shaft Seal
1091	691333	1	Limiter Cap

Δ Included in Valve Overhaul Gasket Set-Ref. 1095.

★ Included in Engine Gasket Set-Ref. 358.

● Included in Carburetor Overhaul Kit-Ref. 121.

◆ Included in Carburetor Gasket Set-Ref. 977.



Assemblies include all parts shown in frames.

Air Cleaner and Muffler Assembly Engine Briggs and Stratton Model 28B702-1041-E1

Ref. No.	Part No.	Qty.	Description
11	280100	1	Breather Tube
167	281051	1	Seal
★176	281106	1	O-Ring Seal
		1	(Air Cleaner Base)
185	94010	1	Nut (Air Cleaner Base)
300	491413	1	Exhaust Muffler
344	693675	1	Screw (Cable Clamp)
445	493910	1	Air Cleaner Cartridge
		1	Filter
467	493903	1	Air Cleaner Knob
613	93927	1	Screw-(Exhaust
613A	94786	1	Screw (Exhaust
		1	Muffler)
676	393761	1	Muffler Deflector
677	94896	1	Screw (Muffler
		1	Deflector
725	690420	1	Heat Shield
875	693670	1	Air Cleaner Base
			(Use with Walbro
			Carburetor
	694942	1	Air Cleaner Base
			(Use with Nikki
			Carburetor)
967	272477	1	Pre-Cleaner Filter

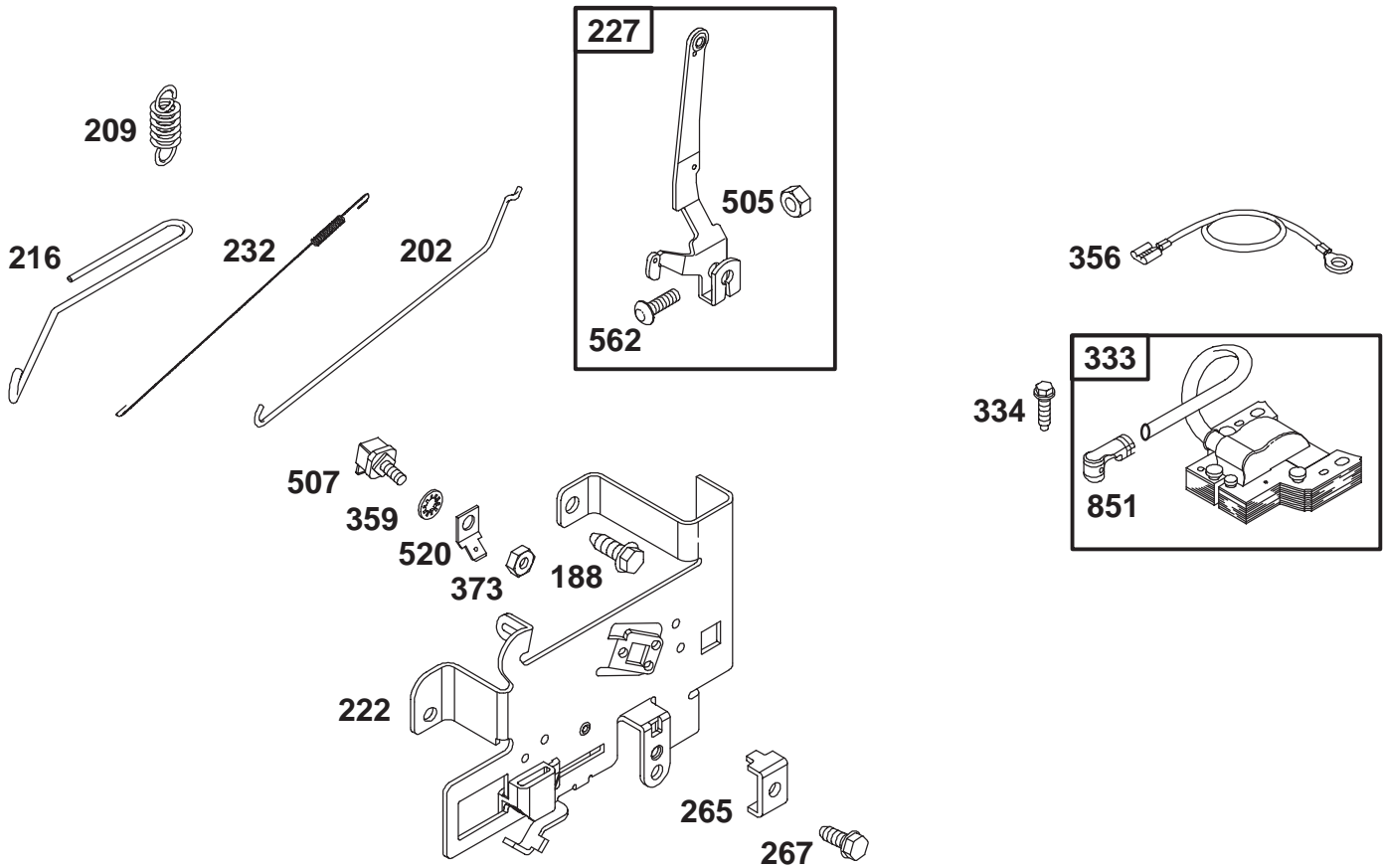
Ref. No.	Part No.	Qty.	Description
968	691324	1	Air Cleaner Cover
971	692126	1	Screw (Air Cleaner
			Base)

△ Included in Valve Overhaul Gasket Set-Ref. 1095.

★ Included in Engine Gasket Set-Ref. 358.

● Included in Carburetor Overhaul Kit-Ref. 121.

◆ Included in Carburetor Gasket Set-Ref. 977.



Assemblies include all parts shown in frames.

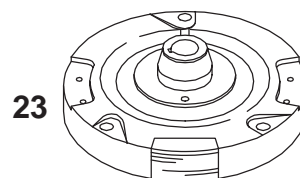
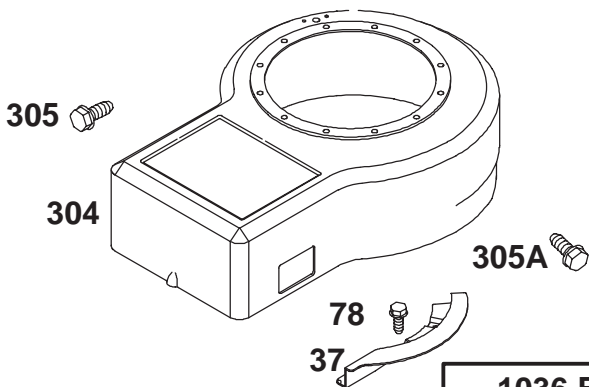
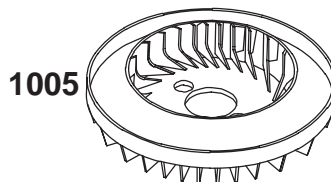
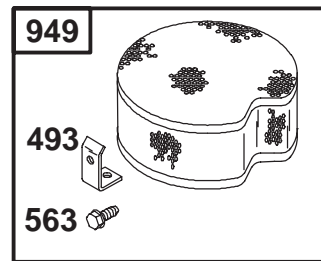
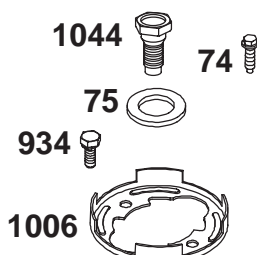
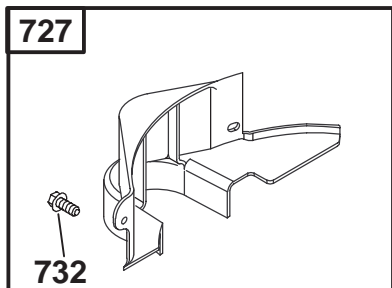
Governor Assembly Engine Briggs and Stratton Model 28B702-1041-E1

Ref. No.	Part No.	Qty.	Description
188	94929	1	Screw (Control Bracket)
202	262767	1	Mechanical Governor Link
209	691278	1	Governor Spring
216	262766	1	Choke Link
222	694042	1	Control Bracket
227	691374	1	Governor Control Lever
232	262785	1	Governor Link Spring
265	221535	1	Casing Clamp
267	94906	1	Screw (Casing Clamp)
333	495859	1	Magneto Armature
334	94731	1	Screw (Magneto Armature)
356	399223	1	Stop Wire
359	691077	1	Washer (Ground Terminal)
373	90576	1	Nut (Ground Terminal)
505	231082	1	Nut (Governor Control Lever)
507	398525	1	Insulator
520	691084	1	Ground Terminal
562	92613	1	Bolt (Governor Control Lever)

Ref. No.	Part No.	Qty.	Description
851	493880	1	Spark Plug Terminal

△ Included in Valve Overhaul Gasket Set-Ref. 1095.
 ★ Included in Engine Gasket Set-Ref. 358.

● Included in Carburetor Overhaul Kit-Ref. 121.
 ◆ Included in Carburetor Gasket Set-Ref. 977.



1036 EMISSIONS LABEL

Assemblies include all parts shown in frames.

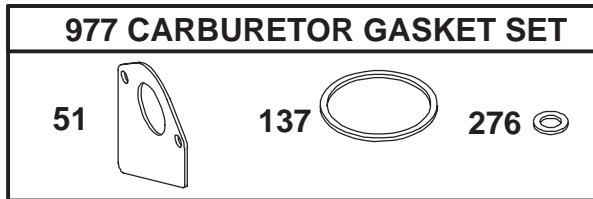
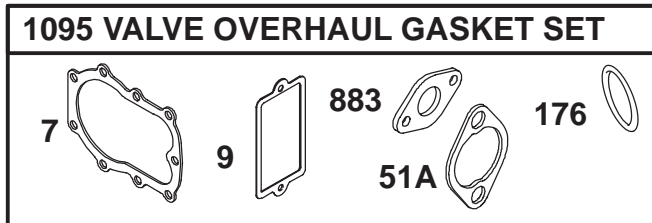
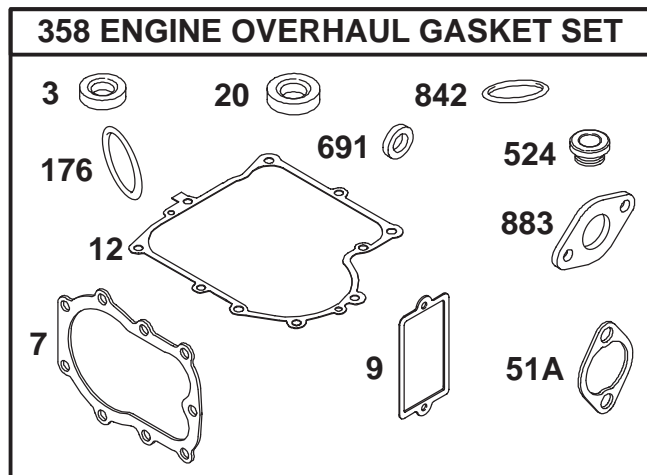
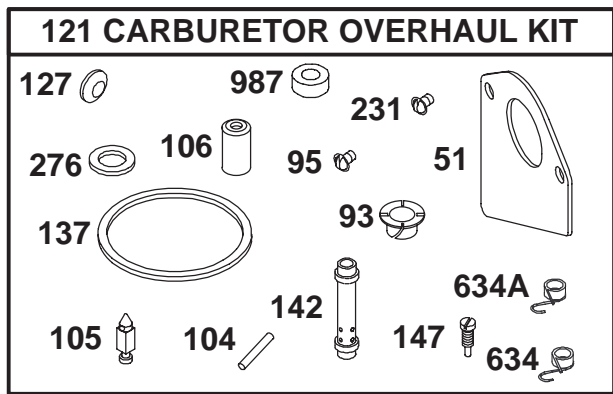
Blower Housing Assembly Engine Briggs and Stratton Model 28B702-1041-E1

Ref. No.	Part No.	Qty.	Description
23	693555	1	Flywheel
37	690456	1	Flywheel Guard
74	93758	1	Screw (Rotating Screen)
75	225136	1	Washer (Flywheel)
78	94896	1	Screw (Flywheel Guard)
304	690846	1	Blower Housing
305	94786	1	Screw (Blower Housing)
305A	692127	1	Screw (Blower Housing)
318	93067	1	Screw (Mounting Bracket)
363	19203	1	Flywheel Puller
493	690426	1	Mounting Bracket
563	94902	1	Screw (Debris Screen Guard)
727	490324	1	Starter Drive Cover
732	94896	1	Screw (Starter Drive Cover)
934	94627	1	Screw (Fan Retainer)
1005	280687	1	Flywheel Fan
1006	690452	1	Fan Retainer

Ref. No.	Part No.	Qty.	Description
1036	694325	1	Emissions Label
1044	94673	1	Screw (Flywheel)

△ Included in Valve Overhaul Gasket Set-Ref. 1095.
 ★ Included in Engine Gasket Set-Ref. 358.

● Included in Carburetor Overhaul Kit-Ref. 121.
 ◆ Included in Carburetor Gasket Set-Ref. 977.



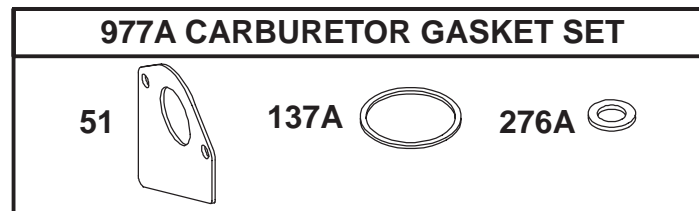
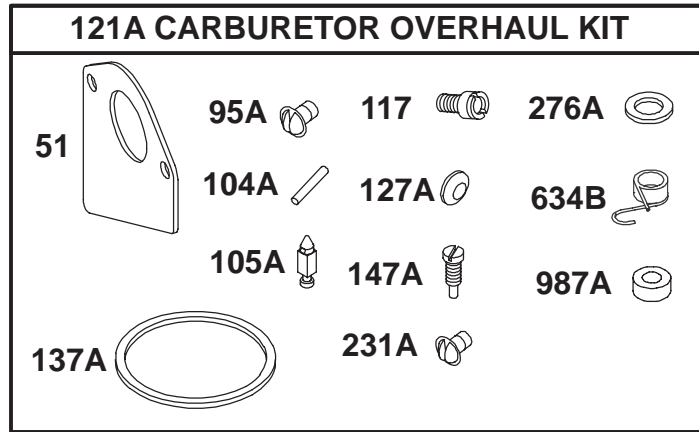
Assemblies include all parts shown in frames.

Gasket Assembly Engine Briggs and Stratton Model 28B702-1041-E1

Ref. No.	Part No.	Qty.	Description
★3	391086	1	Oil Seal
△★7	271866	1	Cylinder Head Gasket
△★9	27803	1	Valve Cover Gasket
★12	271916	1	Crankcase Gasket (.015 Thick)
★	271997	1	Crankcase Gasket (.005 Thick)
★	271996	1	Crankcase Gasket (.009 Thick)
★20	291675	1	Oil Seal
●◆51	272465	1	Intake Gasket
△★51A	272554	1	Intake Gasket
●93	690602	1	Throttle Shaft Bushing
●95	94098	1	Screw (Throttle Valve)
●104	690525	1	Float Hinge Pin
●105	231855	1	Float Needle Valve
●106	231854	1	Inlet Seat
121	499220	1	Carburetor Overhaul Kit
●127	695005	1	Welch Plug
●◆137	281165	1	Float Bowl Gasket
●142	499037	1	Carburetor Nozzle
●147	497472	1	Pilot Jet
★176	281106	1	O-Ring Seal

Ref. No.	Part No.	Qty.	Description
		1	(Air Cleaner Base)
●231	94098	1	Seal (Choke Valve)
●◆276	281164	1	Sealing Washer
358	494241	1	Engine Gasket Set
★524	281370	1	Dipstick Tube Seal
●634	690801	1	Spring/Seal Assembly
●634A	690802	1	Spring/Seal Assembly
★691	491323	1	Governor Shaft Seal
★842	270920	1	Dipstick/Tube Seal
△★883	272293	1	Exhaust Gasket
977	494385	1	Carburetor Gasket Set
●987	691326	1	Throttle Shaft Seal
1095	498539	1	Valve Overhaul Gasket Set

NIKKI CARBURETOR GASKET KITS



Assemblies include all parts shown in frames.

Gasket Assembly (Continued) Engine Briggs and Stratton Model 28B702-1041-E1

Ref. No.	Part No.	Qty.	Description
●◆51	272465	1	Intake Gasket
●95A	805538	1	Screw (Throttle Valve)
●104	694918	1	Float Hinge Pin
●105	694922	1	Float Needle Valve
●117	690880	1	Main Jet (Standard)
	D694925	1	Main Jet (High Altitude)
121A	694930	1	Carburetor Overhaul Kit
●127	694916	1	Welch Plug
●◆137A	694920	1	Float Bowl Gasket
●147A	694927	1	Pilot Nozzle
●231A	805538	1	Screw (Choke Valve)
●◆276A	690997	1	Sealing Washer
●634B	694912	1	Spring/Seal Assembly
977A	694931	1	Carburetor Gasket Set
●987A	281765	1	Seal-Throttle Shaft

Ref. No.	Part No.	Qty.	Description

△ Included in Valve Overhaul Gasket Set-Ref. 1095.
★ Included in Engine Gasket Set-Ref. 358.

● Included in Carburetor Overhaul Kit-Ref. 121.
◆ Included in Carburetor Gasket Set-Ref. 977.

