



Mid-Size Mower

ProLine Gear 13hp with 36" Side Discharge Mower

Model No. 30194-220000001 and Up

Parts Catalog

Ordering Replacement Parts

To order replacement parts, please supply: the part number, the quantity, and the description of each part desired.

Understanding Reference Numbers

Each identified part in an illustration has a reference number. The reference number for a part also appears in the parts list, along with other information about the part.

This catalog uses two special reference number formats, one to indicate parts in a service assembly and another to indicate the quantity of a given part in an illustration.

Service Assembly Reference Numbers

Parts in service assemblies have reference numbers in the form **a:b**. The **a** represents the reference number of the entire service assembly and the **b** represents a sequential number unique to each part within the service assembly.

For example, a wheel assembly might be identified by reference number **6**, the tire by **6:1**, the valve by **6:2**, and the wheel by **6:3**. When you order the assembly identified by reference number **6**, you receive all parts identified by reference numbers **6:1**, **6:2**, and **6:3**. However, you may also order any part individually.

Reference numbers of this type appear in illustrations and in part lists.

Reference Numbers Indicating Quantity

In an illustration, if a reference number indicates more than one part, the reference number has the form **nX y**. The **n** represents the quantity of the part, the **X** is the multiplication symbol, and the **y** represents the reference number.

For example, in an illustration, the reference number **2X 37** means that two of the parts identified by reference number **37** are indicated.

Contents

Description	Page	Description	Page
Engine and Fuel System Assembly	3	Ignition and Electrical Assembly	
Transmission and Drive Pulley Assembly	4	Kohler Model CV15T-41608	15
Wheel Drive Assembly	6	Blower Housing And Baffle Assembly	
Upper Handle Assembly	7	Kohler Model CV15T-41608	16
Deck Assembly	8	Starter Assembly	
Front Caster and Blade Brake Assembly	9	Kohler Model CV15T-41608	17
Spindle Assembly	11	Fuel System Assembly	
Crankcase Assembly		Kohler Model CV15T-41608	18
Kohler Model CV15T-41608	12	Engine Controls Assembly	
Oil Pan and Lubrication Assembly		Kohler Model CV15T-41608	19
Kohler Model CV15T-41608	13	Air Cleaner Assembly	
Cylinder Head, Valve and Breather Assembly		Kohler Model CV15T-41608	20
Kohler Model CV15T-41608	14	Exhaust Assembly	
		Kohler Model CV15T-41608	21

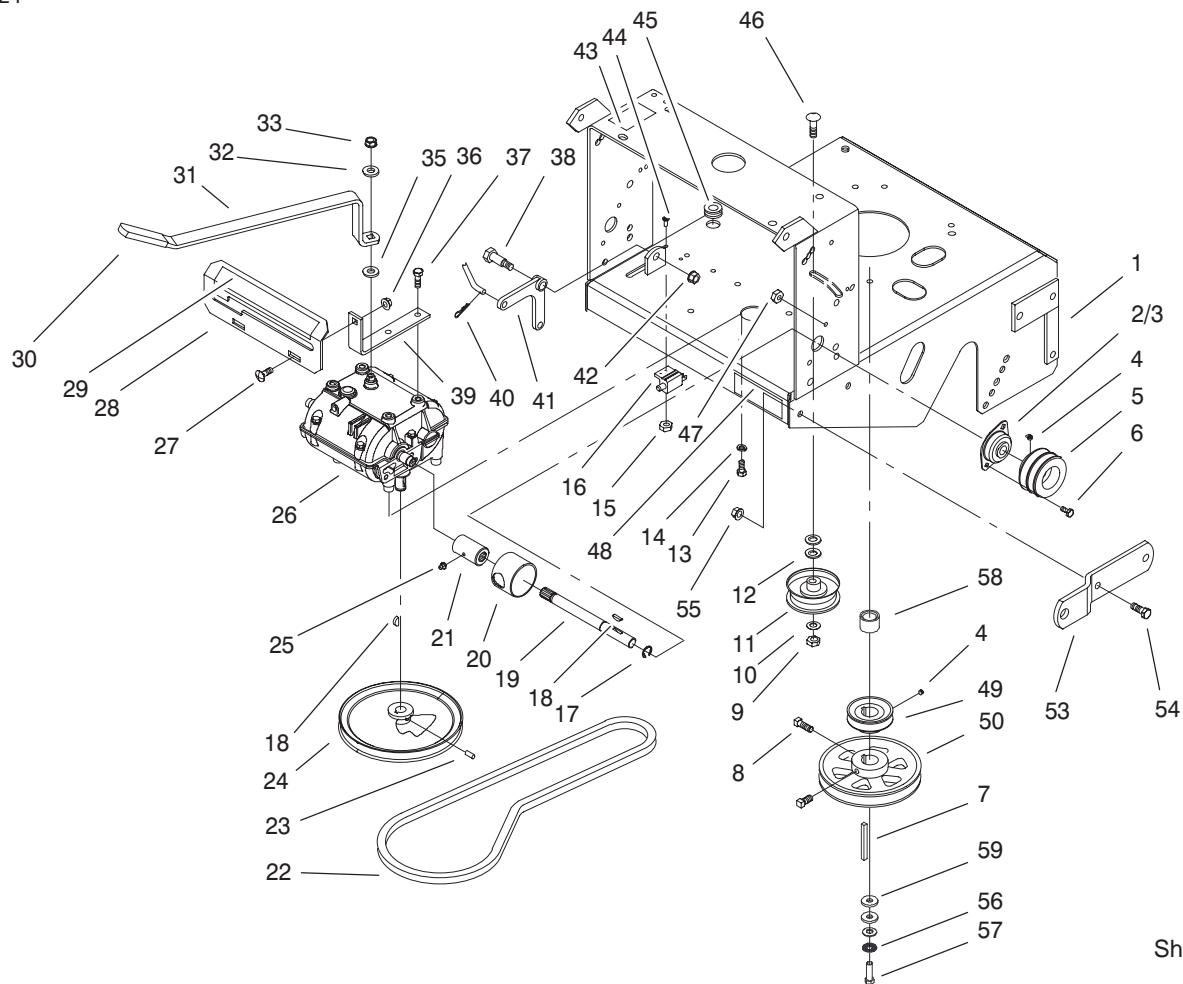
Accessories

Description	Model / Part No.	Description	Model / Part No.
Recycler Kit	30142	Soft Bagger	30198

Part Description Abbreviations

Part descriptions in this catalog may include the following abbreviations.

Abbreviation	Meaning	Abbreviation	Meaning
AR	as required	HYD	hydraulic
ASM	assembly	INC	incorporated
CARR	carriage	LH	left hand
DEG	degrees	NI	nylon insert
FH	flat head	PPH	Phillips pan head
GA	gauge	PTH	Phillips truss head
HF	hex flange	PTO	power take off
HH	hex head	RH	right hand
HHF	hex head flange	SFH	slotted fillister head
HLH	hex lag head	SHH	slotted hex head
HJ	hex jam	SQH	square head
HOC	height-of-cut	SHWH	slotted hex washer head
HS	hex socket	SPH	slotted pan head
HSBH	hex socket button head	SRH	slotted round head
HSFH	hex socket flat head	STD	standard
HSH	hex socket head	TAP	self tapping
HWH	hex washer head	TTH	Torx truss head
HWHTF	hex washer head thread forming	WH	wing head

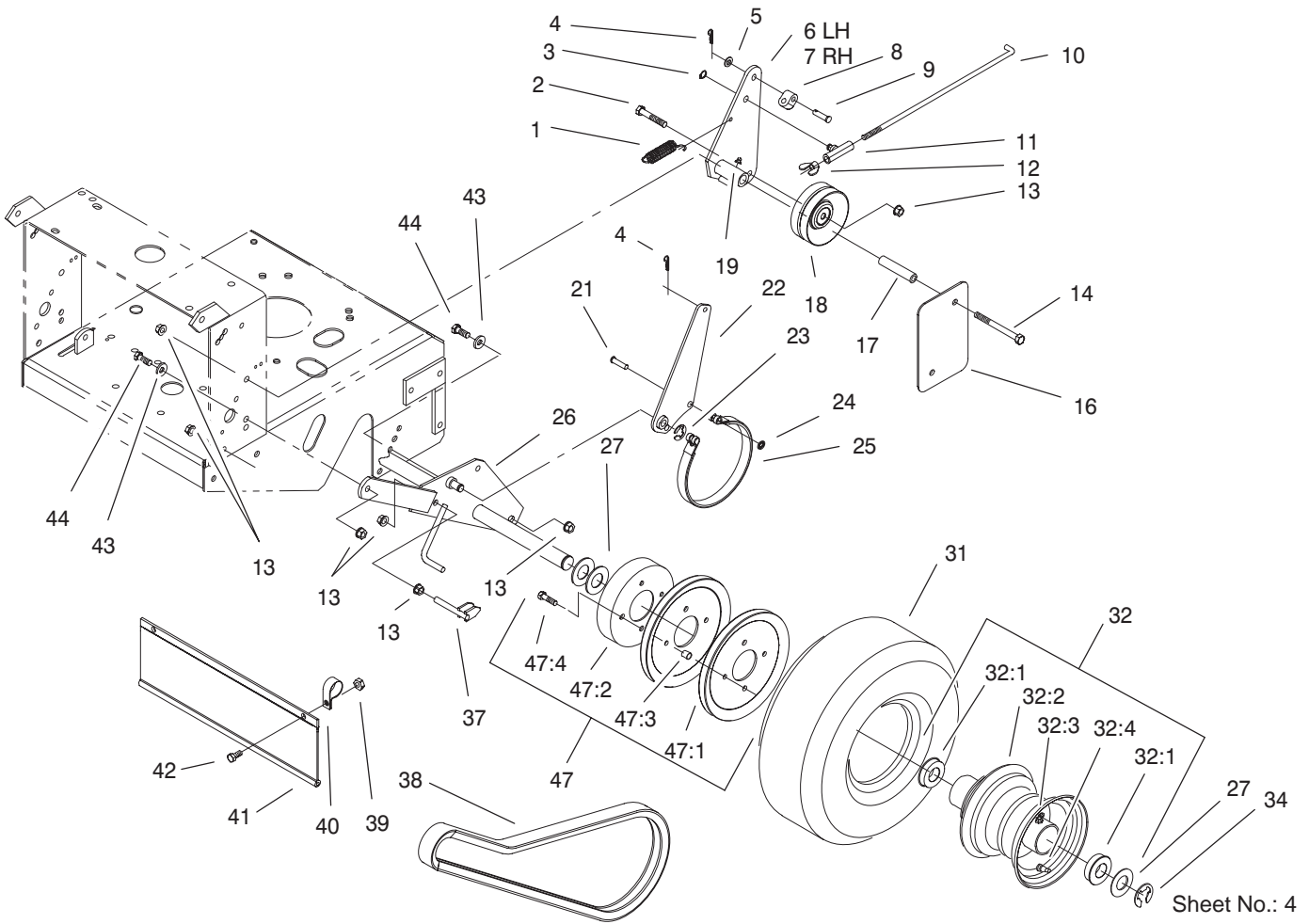


Sheet No.: 3

Transmission and Drive Pulley Assembly

Ref. No.	Part No.	Qty.	Description
1	1-402112-01	1	Deck-Rear
2	1-323252	2	Bearing-Shaft
3	1-323254	2	Flange-Output
4	1-803310	3	Screw-Set
5	1-323257-03	2	Sheave-Transmission
6	321-3	4	Screw-HH
7	5-1336	1	Key
8	3242-4	2	Screw-Set, SQH
9	3296-39	1	Nut-Lock, NI
10	3256-24	1	Washer-Flat
11	1-323285	1	Idler-Drive, Transmission
12	3256-5	2	Washer-Flat
13	322-3	4	Screw-HH
14	1-805005	4	Washer-Lock
15	3296-2	2	Nut-Lock
16	1-513152	1	Switch-Closed, Normally
17	32151-62	2	Ring-Retaining
18	3257-5	3	Key-Woodruff
19	1-323502	2	Shaft-Transmission
20	51-4220	2	Guard-Coupler
21	1-323680	2	Coupler
22	1-323630	1	V-Belt
23	3245-41	2	Screw-HSH
24	1-323278	1	Sheave-Transmission

Ref. No.	Part No.	Qty.	Description
25	302-19	2	Fitting-Grease
26	1-323500	1	Transmission
27	3230-1	2	Screw-CARR
28	1-323387-03	1	Plate-Shift
29	98-3256	1	Decal-Speed, Ground
30	1-303020	1	Grip-Lever
31	98-3274-03	1	Lever-Shift
32	98-5975	1	Washer-Belleville
33	3296-6	1	Nut-Lock, NI
35	1-323379	1	Washer-Lever, Shifter
36	32128-20	2	Nut-HF
37	32104-32	4	Screw-HH
38	1-603403	1	Bolt-Shoulder
39	1-323389-03	2	Bracket-Plate, Shift
40	1-806003	1	Pin-Hair
41	1-303186	1	Bellcrank
42	3290-357	1	Nut-HHF
43	95-2814	1	Decal-Shut Off, Fuel
44	3290-500	2	Screw-PPH
45	1-543296	1	Grommet-Line, Fuel
46	3231-6	1	Screw-CARR
47	3296-42	4	Nut-Lock, NI
48	98-0776	1	Decal-Caution
49	1-323256	1	Sheave-Transmission
50	1-643292	1	Sheave-Split
53	1-323318-01	2	Hitch-Sulky



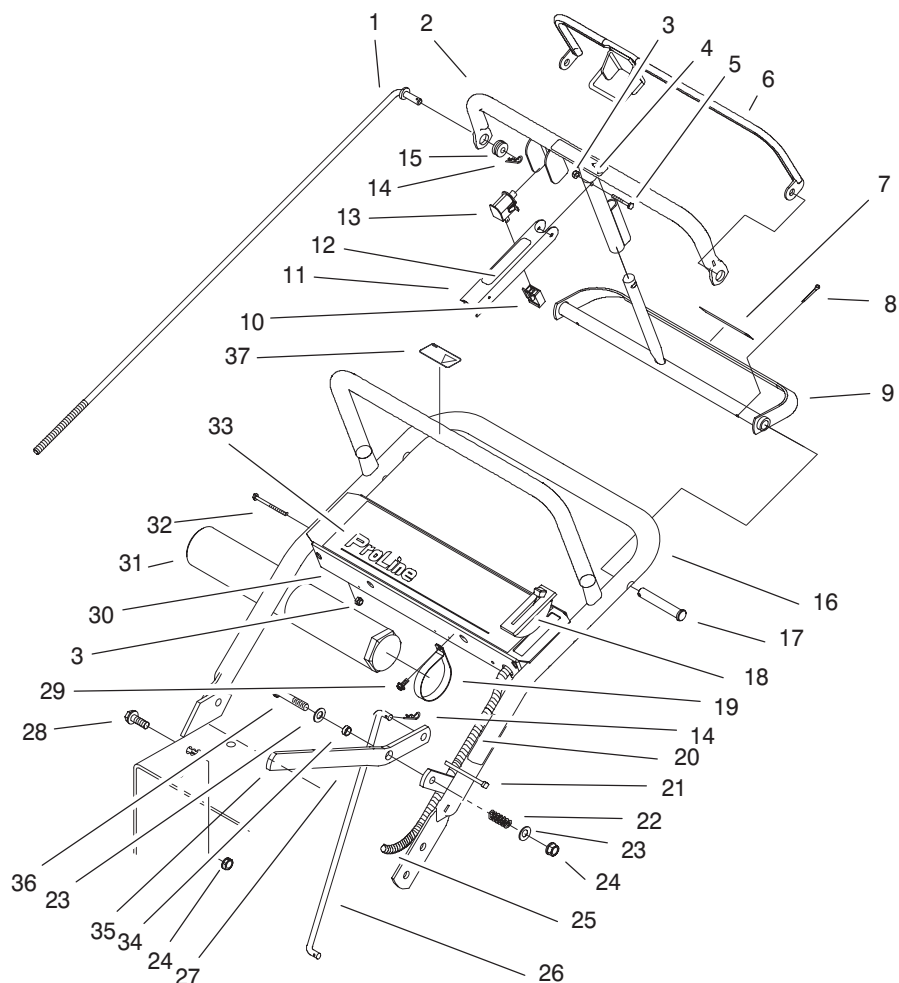
Sheet No.: 4

Wheel Drive Assembly

Ref. No.	Part No.	Qty.	Description
1	98-3273	2	Spring-Extension
2	323-10	2	Screw-HH
3	32151-47	2	Ring-Retaining
4	1-806003	4	Pin-Hair
5	3256-23	2	Washer-Flat
6	104-1321-03	1	RH Idler Arm ASM
7	104-1322-03	1	LH Idler Arm ASM
8	74-0521	2	Fitting-Rod
9	283-6	2	Pin-Clevis
10	1-323296	2	Rod-Brake
11	1-322125	2	Swivel-Brake
12	1-513959	2	Wingnut-Nylock
13	3290-357	14	Nut-HHF
14	323-16	4	Screw-HH
16	98-5131-01	2	Shield-Wheel, Drive
17	1-323694	4	Spacer-Shield
18	1-323634	2	Idler-Drive, Wheel
19	302-19	2	Fitting-Grease
21	1-323307	4	Pin-Clevis
22	1-322209-03	2	Arm-Brake
23	32120-47	2	Ring-Retaining, External
24	1-803051	4	Nut-Push
25	1-323595	2	Band-Brake
26	1-322212-03	1	Axle ASM
27	1-523157	6	Washer-Spacer

Ref. No.	Part No.	Qty.	Description
27	1-543436	8	Washer-Spacer
31	1-323720	2	Tire-Turfmaster
32	1-323328	2	Wheel & Hub ASM
32:1	1-323329	2	Bearing-Flanged
☆32:2		1	Rim ASM
☆32:3		1	Fitting-Grease
☆32:4		1	Valve Stem & Cap
34	1-808519	2	Ring-Snap
37	1-412358	2	Scraper
38	1-323631	2	V-Belt, Wheel Drive
39	3296-29	2	Nut-Lock, NI
40	2412-104	2	R-Clamp
41	98-3259	1	Shield-Trailing
42	322-3	2	Screw-HH
43	98-5975	4	Washer-Belleville
44	323-6	4	Screw-HH
☆47		1	Drum & Sheave ASM
47:1	1-323253	2	Sheave-Wheel, Drive
47:2	1-323261	1	Drum-Brake
47:3	1-323260	4	Spacer-Sheave, Wheel
47:4	322-6	4	Screw-HH

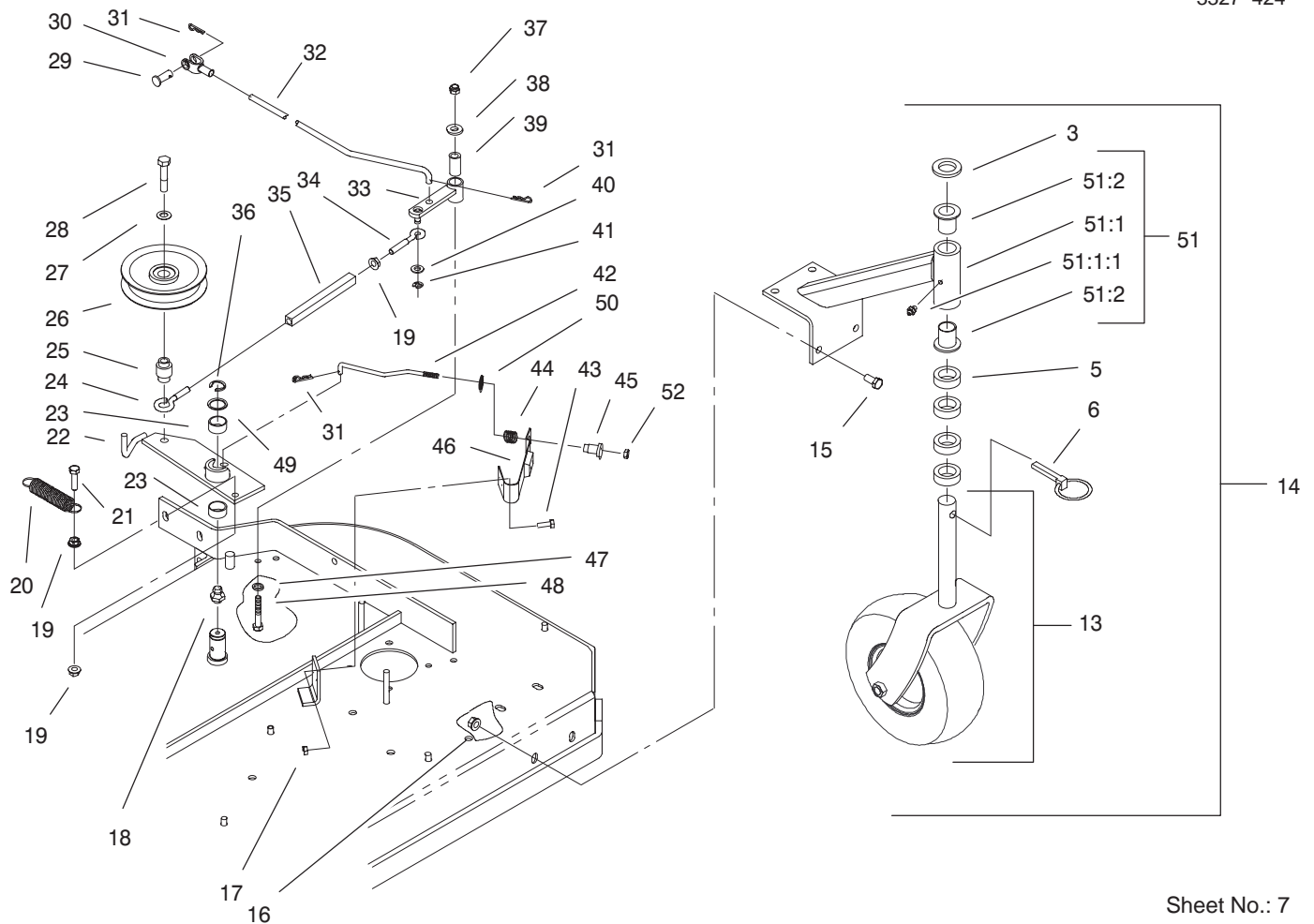
☆ Not serviced separately



Sheet No.: 5

Upper Handle Assembly

Ref. No.	Part No.	Qty.	Description	Ref. No.	Part No.	Qty.	Description
1	98-3282	2	Rod-Control	26	98-3279	1	Linkage-Drive, Blade
2	95-5522-03	1	Control Bar ASM	27	98-3287-03	1	Lever-Engagement, Blade
3	3296-2	5	Nut-Lock	28	323-6	4	Screw-HH
4	82-2290	1	Decal-Bar, Control	29	32104-76	2	Screw
5	32105-1	1	Screw-SHH	30	1-304259	1	Panel-Control
6	98-3289-03	1	Bail ASM	31	74-0720	1	Tube-Manual
7	82-2280	1	Decal-Handle, Reverse	32	32105-14	4	Screw
8	3272-11	2	Pin-Cotter	33	95-5437	1	Decal-Panel, Control
9	99-8501-03	1	Control-Pivot	34	99-8509	1	Spacer
10	218-595	1	Connector-Body	35	1-303020	1	Grip-Lever
11	98-3261-03	1	Lever-Brake, Parking	36	323-10	1	Screw-HH
12	98-3266	1	Decal-Brake, Parking	37	98-4387	1	Decal-Protection, Ear
13	740275	1	Switch-Seat				
14	1-806003	3	Pin-Hair				
15	237-141	2	Grommet-Rubber				
16	98-3267-01	1	Upper Handle ASM				
17	283-55	2	Pin-Clevis				
18	1-323637	1	Cable-Throttle				
19	2412-120	2	R-Clamp				
20	95-5537	1	Decal-Engage, Deck				
21	1-303335	1	Tie-Plastic				
22	1-303160	1	Spring-Compression				
23	3256-24	2	Washer-Flat				
24	3296-39	5	Nut-Lock, NI				
25	98-3258	1	Harness-Wire				

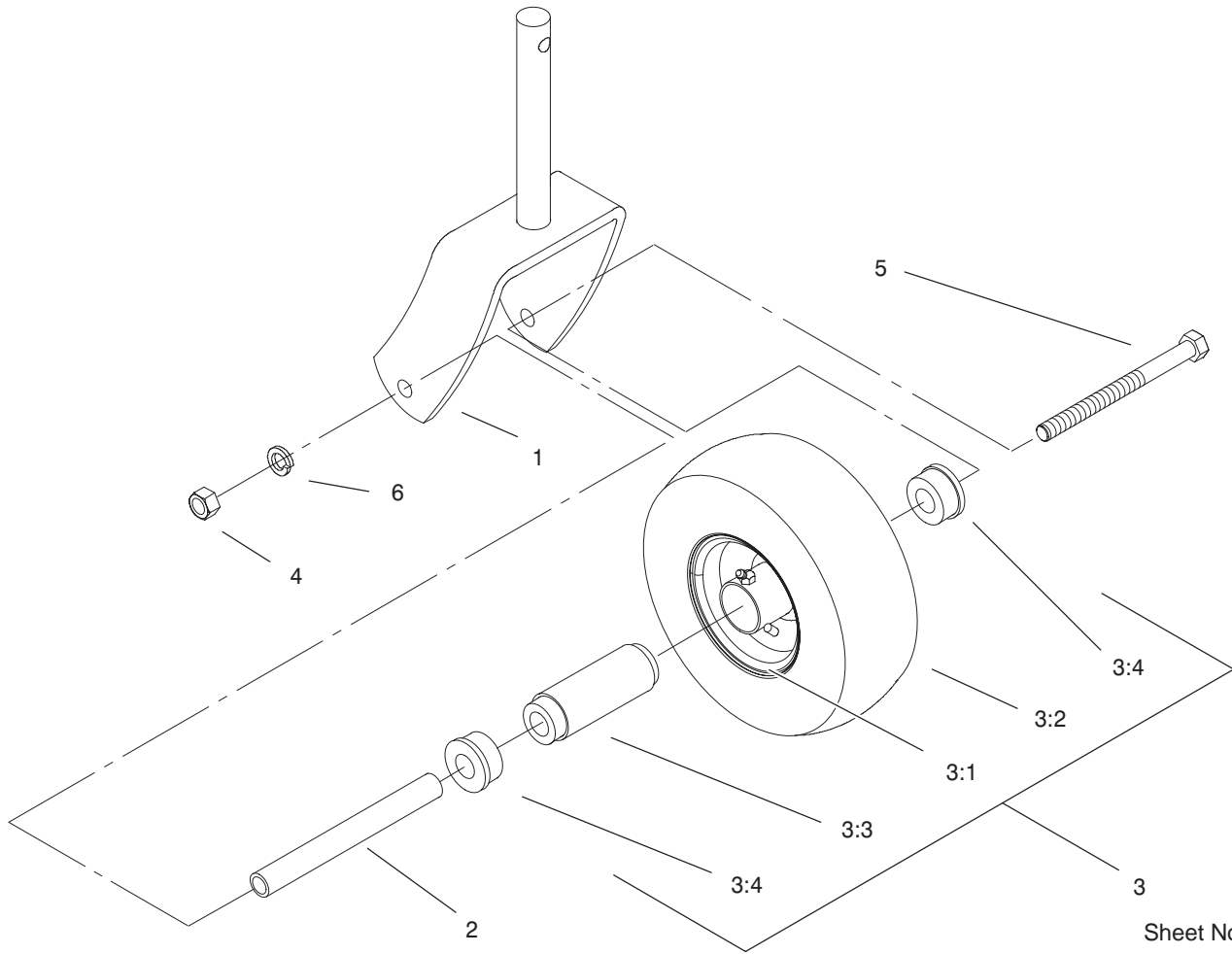


Sheet No.: 7

Front Caster and Blade Brake Assembly

Ref. No.	Part No.	Qty.	Description
3	1-513338	2	Washer-Flat
5	1-303314	8	Spacer-Caster
6	1-809020	2	Pin
13	1-322154	2	Caster/Wheel ASM
14	1-322153	2	Caster/Mount ASM
15	323-4	8	Screw-HH
16	3290-357	8	Nut-HHF
17	3296-42	2	Nut-Lock, NI
18	302-19	1	Fitting-Grease
19	32128-20	3	Nut-HF
20	1-323071	1	Spring-Extension
21	322-6	1	Screw-HH
22	1-324408	1	Idler Arm/Bushings ASM
23	1-323729	2	Sleeve-Bearing
24	1-303348	1	Eyebolt-LH Thread
25	1-303434	1	Bushing-Engagement
26	1-603843	1	Pulley-Idler
27	98-5975	1	Washer-Belleville
28	323-10	1	Screw-HH
29	1-808280	1	Pin-Clevis
30	1-303105	1	Yoke-Adjustable
31	1-806003	3	Pin-Hair
32	1-323303	1	Linkage-Arm
33	1-322235	1	Arm
34	1-303238	1	Eyebolt-RH Thread

Ref. No.	Part No.	Qty.	Description
35	1-303236	1	Body-Turnbuckle
36	32151-103	1	Ring-Snap
37	3296-29	1	Nut-Lock, NI
38	3256-3	1	Washer-Flat
39	1-403179	1	Tube-Pivot
40	3256-23	1	Washer-Flat
41	32120-35	1	E-Ring
42	1-323715	1	Rod-Brake
43	321-4	2	Screw-HH
44	1-323747	1	Spring-Compression
45	1-323746	1	Spacer-Flanged
46	1-324372	1	Pad/Spring ASM
47	1-303334	1	Washer-Spring
48	322-10	1	Screw-HH
49	1-303352	1	Washer-Spindle
50	1-323748	1	Ring-Push On
51	1-302203	2	Support ASM W/Bushings
51:1	1-302194-01	1	Support-Caster
51:1:1	302-52	1	Fitting-Grease
51:2	1-303514	2	Bearing-Flanged
52	3296-56	1	Nut-Lock, NI



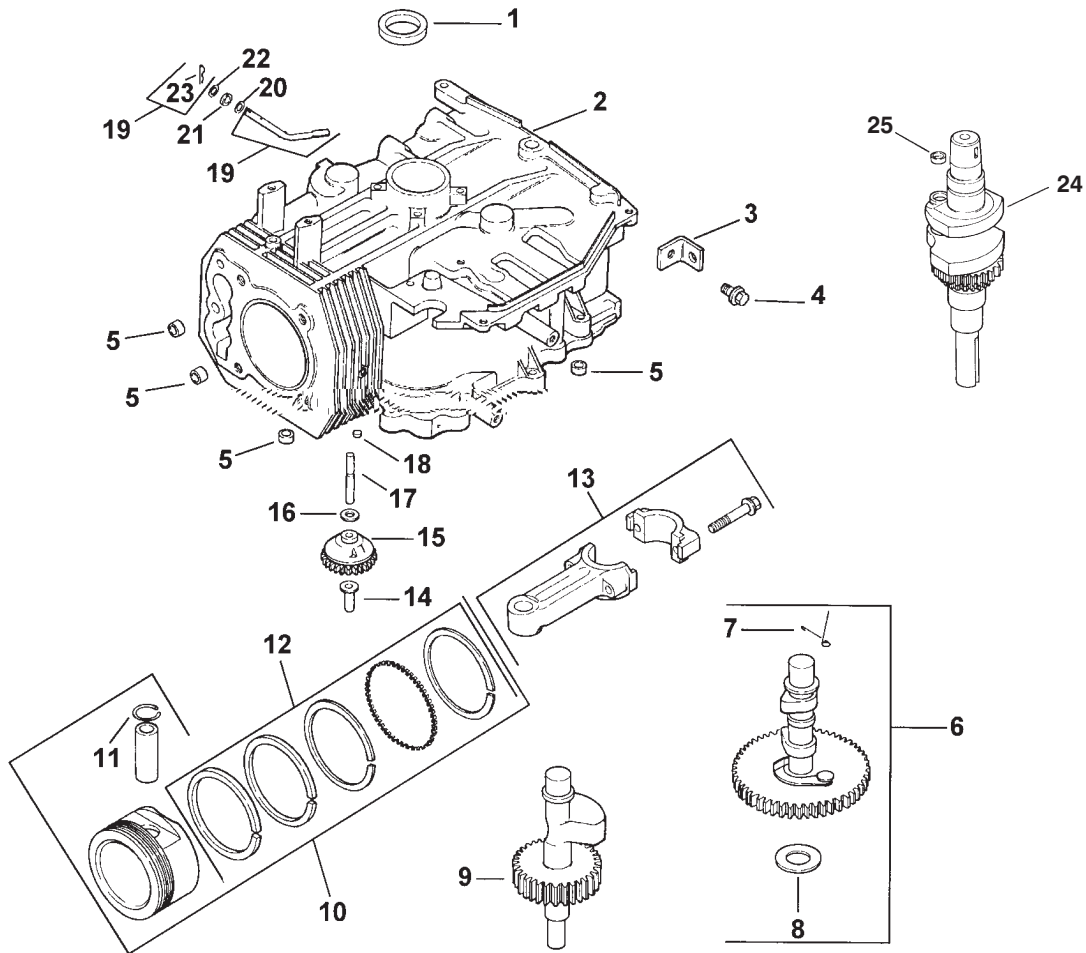
Sheet No.:A1

Caster and Wheel Assembly No. 1-322154

Ref. No.	Part No.	Qty.	Description
1	1-322145-01	1	Fork
2	1-513547	1	Spacer
3	1-513648	1	Wheel & Tire ASM
☆3:1		1	Rim
☆3:2		1	Tire
3:3	1-513809	1	Bearing
3:4	1-513810	2	Bushing
4	3217-9	1	Nut-HH
5	325-20	1	Screw-HH
6	3253-7	1	Washer-Lock

Ref. No.	Part No.	Qty.	Description

☆ Not serviced separately

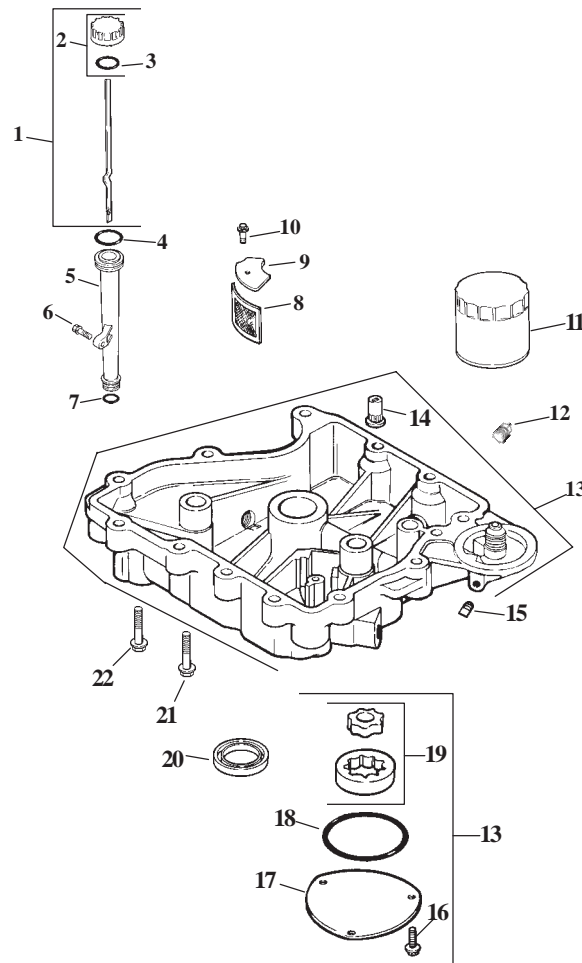


Crankcase Assembly Kohler Model CV15T-41608

Ref. No.	Part No.	Qty.	Description
1	12 032 03-S	1	Seal-Crankshaft
2	12 522 18-S	1	Shortblock
3	12 445 02-S	1	Strap-Lifting
4	M-839025-S	1	Screw-HF M8x1.25x25
5	24 380 13-S	4	Dowel-Locating
6	12 755 49-S	1	Kit-Camshaft (Incl.7-8)
7	12 089 31-S	1	Spring-Actuating
8	12 422 07-S	A/R	Shim-Camshaft, White
8	12 422 08-S	1	Shim-Camshaft, Blue
8	12 422 09-S	A/R	Shim-Camshaft, Red
8	12 422 10-S	A/R	Shim-Camshaft, Yellow
8	12 422 11-S	A/R	Shim-Camshaft, Green
8	12 422 12-S	A/R	Shim-Camshaft, Gray
8	12 422 13-S	A/R	Shim-Camshaft, Black
9	12 144 27-S	1	Shaft-Balance
10	12 874 07-S	1	Piston w/Ring Set STD (Incl. 11,12)
10	12 874 08-S	1	Set-Piston w/Ring .25
10	12 874 09-S	1	Set-Piston w/Ring .50
10	12 874 11-S	1	Set-Piston w/Ring .08
11	12 018 02-S	2	Retainer-Piston Pin
12	12 108 07-S	1	Ring Set STD
12	12 108 08-S	1	Ring Set .25
12	12 108 09-S	1	Ring Set .50

Ref. No.	Part No.	Qty.	Description
13	12 067 05-S	1	Rod-Connecting, STD
13	12 067 06-S	1	Rod-Connecting .25
14	12 380 01-S	1	Pin-Governor Regulating
15	12 043 05-S	1	Gear-Governor
16	M-631005-S	1	Washer-Plain, 6mm
17	12 144 02-S	1	Shaft-Governor Gear
18	52 139 09-S	1	Plug-Cup
19	12 755 64-S	1	Kit-Governor Cross Shaft (Incl. 23)
20	X-25-102-S	1	Washer-Plain, 1/4
21	12 032 01-S	1	Seal-Governor Cross Shaft
22	M-631015-S	1	Washer-Plain, 6mm
23	12 154 05-S	1	Clip-Hitch Pin
24	12 014 30-S	1	Crankshaft ASM (Incl. 25)
25	12 139 01-S	1	Plug-Cup
*	12 755 93-S	1	Set-Gasket

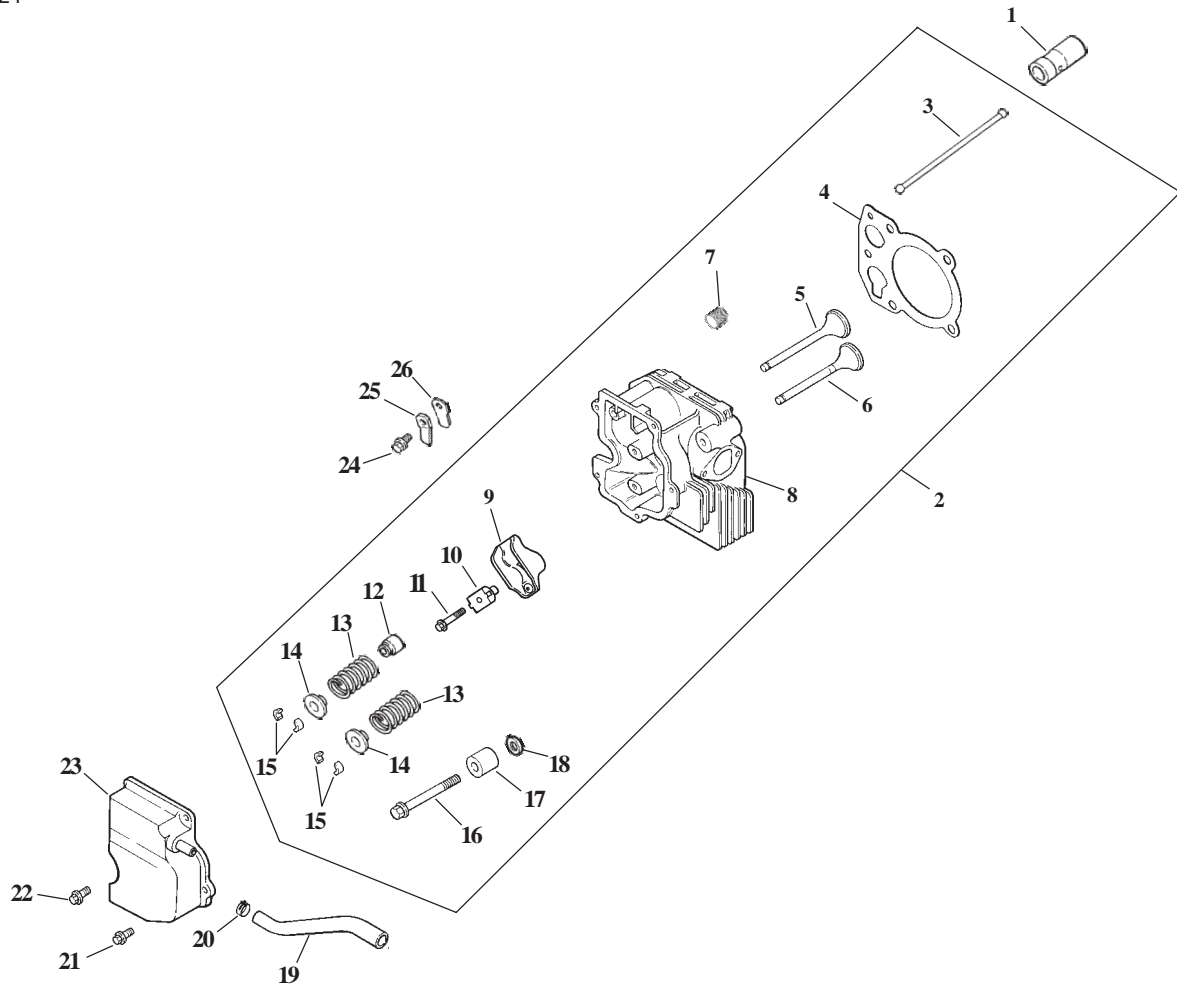
* Not illustrated
Order Parts from Kohler



Oil Pan and Lubrication Assembly Kohler Model CV15T-41608

Ref. No.	Part No.	Qty.	Description	Ref. No.	Part No.	Qty.	Description
1	12 038 01-S	1	Dipstick ASM(Incl. 2-3)	19	12 393 01-S	1	Pump-Oil
2	25 755 13-S	1	Kit-Oil Fill Cap (Incl. 3)	20	12 032 03-S	1	Seal-Oil (PTO End)
3	12 153 03-S	1	O Ring-Dipstick	21	24 086 16-S	11	Screw-HF, M8x1.25x45
4	12 153 02-S	1	O Ring-Upper Oil Fill Tube	22	24 086 17-S	1	Screw-HF, M8x1.25x45
5	12 123 04-S	1	Tube-Oil Fill				
6	M-545020-S	1	Screw-HF, M5x0.8x20				
7	12 153 01-S	1	O Ring-Lower Oil Fill Tube				
8	25 162 07-S	1	Screen-Oil Pickup				
9	12 096 03-S	1	Cover-Oil Pickup Screen				
10	M-545016-S	1	Screw-HF, M5x0.8x16				
11	52 050 02-S	1	Filter-Oil				
12	25 139 57-S	1	Plug-Pipe, 3/8 SH				
13	12 199 50-S	1	Oil Pan ASM (Incl.14, 16-19)				
14	25 462 09-S	1	Valve-Oil Pressure Relief				
15	25 139 52-S	1	Plug-Pipe,1/8				
16	M-545016-S	3	Screw-HF, M5x0.8x16				
17	12 096 34-S	1	Cover-Oil Pump				
18	12 153 06-S	1	O Ring-Oil Pump Cover				

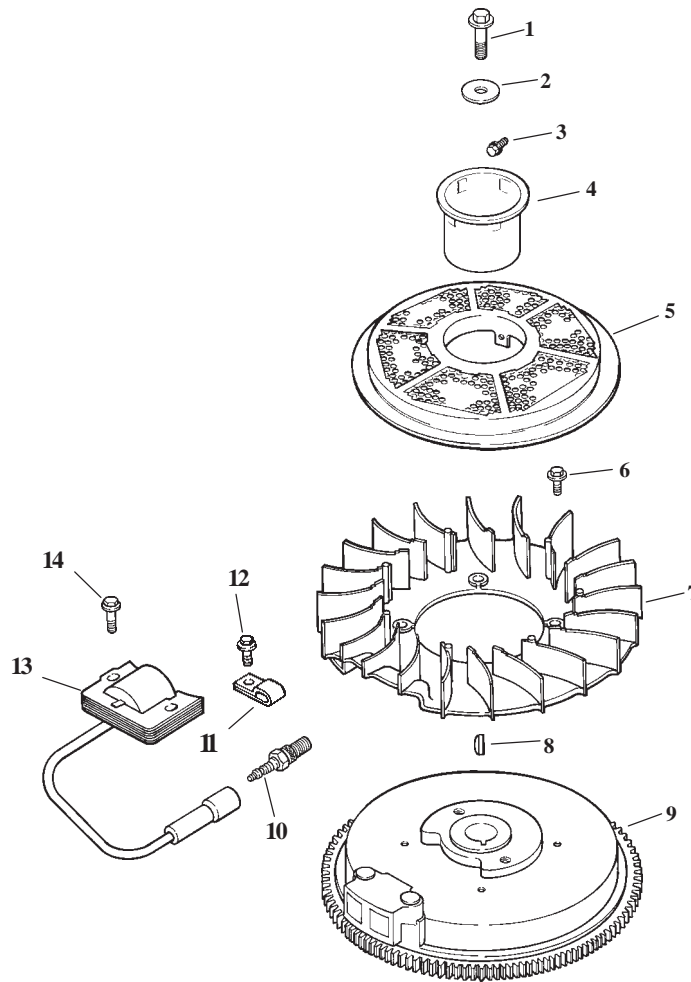
Order Parts From Kohler



Cylinder Head, Valve and Breather Assembly Kohler Model CV15T-41608

Ref. No.	Part No.	Qty.	Description
1	12 351 01-S	2	Lifter-Valve
2	12 755 81-S	1	Kit-Cylinder Head (Incl. 3-13, 18-21, 25, Carburator Gasket 12 041 01-S(2), Exhaust Manifold Gasket 12 041 03-S, Air Cleaner Gasket 12 041 02-S)
3	12 411 01-S	2	Rod-Push
4	12 041 10-S	1	Gasket-Cylinder Head
5	12 017 01-S	1	Valve-Intake STD
5	12 017 02-S	1	Valve-Intake .25
6	12 016 01-S	1	Valve-Exhaust STD
6	12 016 02-S	1	Valve-Exhaust, .25
7	25 139 60-S	1	Plug-Pipe, HSH 1/8
8	12 318 19-S	1	Head - Cylinder
9	25 186 01-S	2	Arm-Rocker
10	12 599 03-S	2	Pivot-Rocker Arm
11	M-640034-S	2	Screw-HF M6x1.0x34
12	24 032 05-S	1	Seal-Valve Stem
13	12 089 01-S	2	Spring-Valve
14	12 173 01-S	2	Cap-Valve Spring
15	12 755 03-S	2	Kit-Retainer

Ref. No.	Part No.	Qty.	Description
16	12 086 15-S	5	Screw-HF M10x1.5x81
17	12 112 13-S	1	Spacer-Head Bolt Exhaust Port
18	12 468 05-S	1	Washer-Plain 13/32
19	12 326 03-S	1	Hose-Breather
20	25 237 14-S	2	Clamp-Hose
21	M-645020-S	3	Screw-HF M6x1.0x20
22	M-640034-S	2	Screw-HF M6x1.0x34
23	12 096 07-S	1	Cover-Valve w/Nipple
24	M-545010-S	1	Screw-HF M5x0.8x10
25	12 018 01-S	1	Retainer-Breather Reed
26	12 402 02-S	1	Reed-Breather

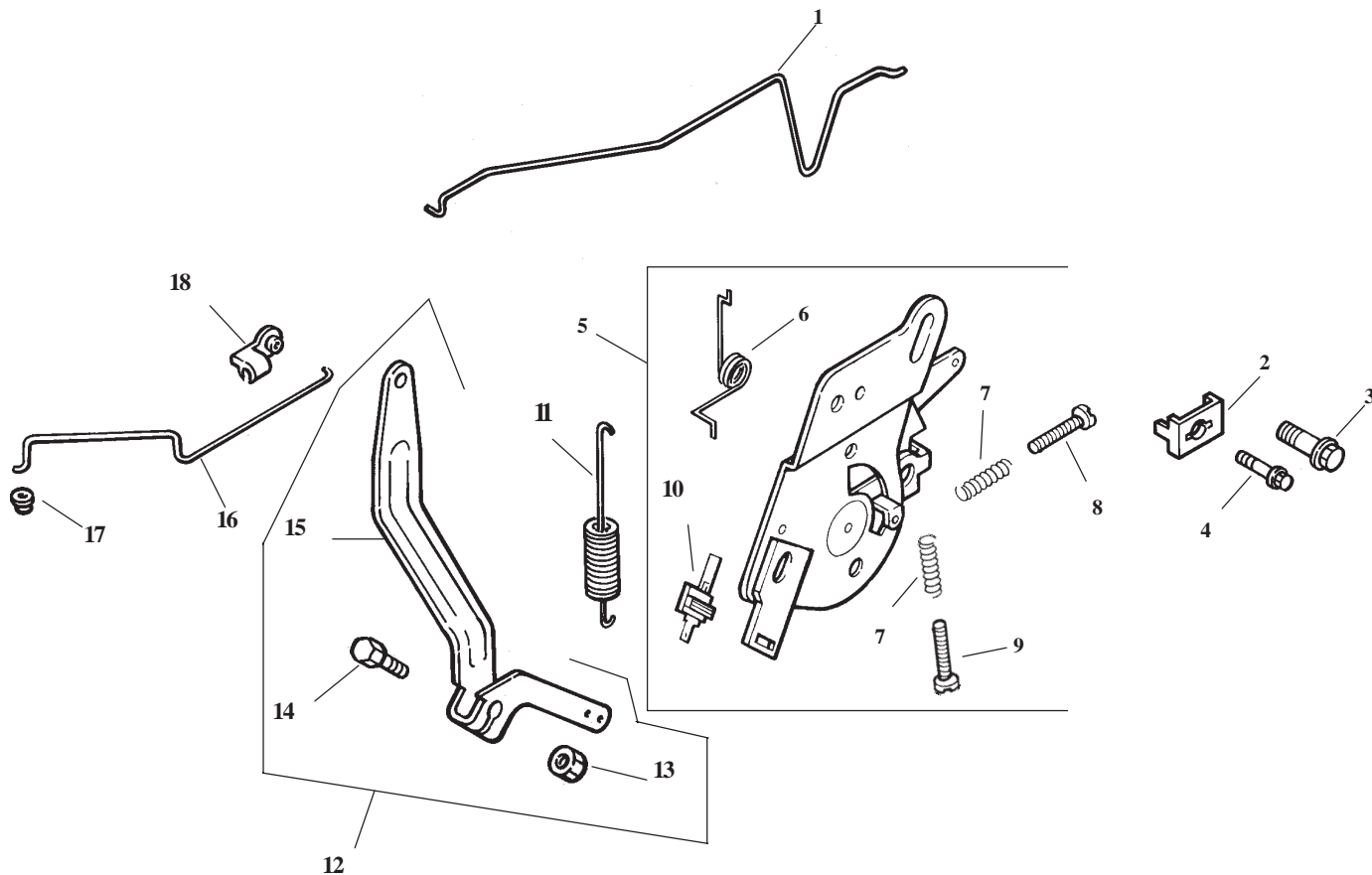


Ignition and Electrical Assembly Kohler Model CV15T-41608

Ref. No.	Part No.	Qty.	Description
1	12 086 14-S	1	Screw-HF,M10x1.5x46
2	12 468 03-S	1	Washer-Plain, 3/8
3	M-545010-S	3	Screw-HF,M5x0.8x10
4	12 109 07-S	1	Cup-Drive, Starter
5	12 162 09-S	1	Screen-Grass
6	25 086 47-S	4	Bolt-Shoulder
7	12 157 03-S	4	Fan
8	X-42-15-S	1	Key
9	12 025 31-S	1	Flywheel
8	12 403 01-S	1	Rectifier-Unregulated, 15 amp
9	X-22-11-S	2	Washer - Lock
10	12 132 06-S	1	Spark Plug

Ref. No.	Part No.	Qty.	Description
11	X-728-1-S	2	Clip-Cable
10	M-639016-S	2	Screw-HF, M6x1.0x16
11	41 155 03-S	1	Connector
12	M-545010-S	2	Screw-HF, M5x0.8x10
13	12 584 05-S	1	Module-Ignition
13	M-548025-S	2	Screw-HH M5x0.8x25
14	M-545020-S	2	Screw-HF, M5x0.8x20
*	25 518 05-S	1	Lead-Black, Rectifier/ Regulator,(5"-14Gauge Uninsulated Push On Tab Terminals)
*	12 454 03-S	1	Tie-Wire

* Not illustrated
Order Parts From Kohler

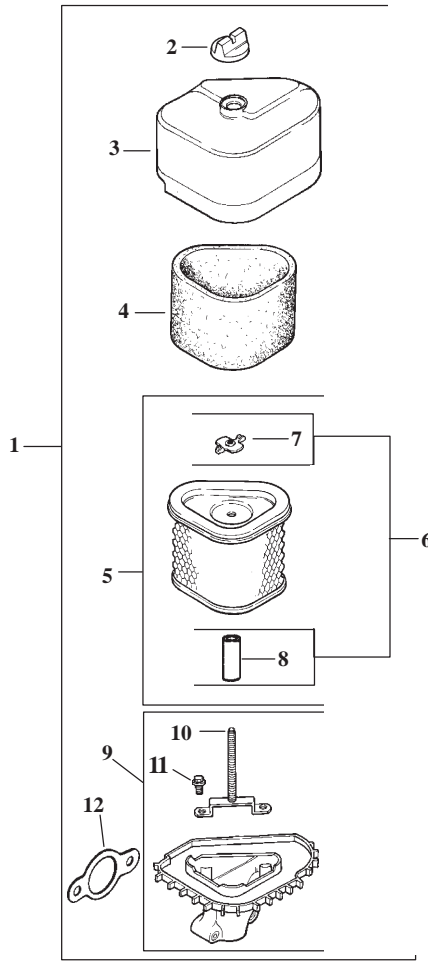


Engine Controls Assembly Kohler Model CV15T-41608

Ref. No.	Part No.	Qty.	Description
1	12 079 07-S	1	Linkage-choke
2	12 237 01-S	1	Clamp-cable
3	M-664020-S	2	Screw-Lobed Socket M6x1.0x20
4	M-545016-S	1	Screw-HF M5x .08x16
5	12 536 06-S	1	Control-Speed ASM
6	12 089 23-S	1	Spring-choke Return (Incl. 6-10)
7	12 089 11-S	2	Spring-Speed Control
8	12 086 38-S	1	Screw-Pan Hd with Loctite
9	M-443020-S	1	Screw-SPH, M4x0.7x20
10	25 452 14	1	Terminal-Kill Switch
11	12 089 19-S	1	Spring-Governor
12	12 755 83-S	1	Kit - Governor Lever (Incl. 13-15)
13	12 100 07-S	1	Nut-HF
14	52 211 04-S	1	Bolt-Round HD
15	12 090 28-S	1	Lever-Governor
16	12 079 01-S	1	Linkage-Throttle
17	25 158 08-S	1	Bushing-Linkage Retaining

Ref. No.	Part No.	Qty.	Description
18	25 158 11-S	1	Bushing-Throttle Linkage

Order Parts From Kohler



Air Cleaner Assembly Kohler Model CV15T-41608

Ref. No.	Part No.	Qty.	Description	Ref. No.	Part No.	Qty.	Description
1	12 743 02-S	1	Kit-Air Cleaner (Incl. 2-12)				
2	25 341 03-S	1	Knob-Air Cleaner Cover				
3	12 096 38-S	1	Cover-Air Cleaner				
4	12 083 12-S	1	Element-Precleaner				
5	12 083 10-S	1	Element-Air Cleaner (Incl. 6-8)				
6	12 743 12-S	1	Kit-Seal (Incl. 7-8)				
7	12 100 08-S	1	Nut-Wing				
8	12 032 11-S	1	Seal				
9	12 094 07-S	1	Base-Air Cleaner (Incl. 10,11)				
10	12 072 04-S	1	Stud-M6x1.0x66				
11	12 086 01-S	2	Screw-#10 Hi-Lo Thread Forming				
12	12 041 02-S	1	Gasket-Air Cleaner				
*	12 113 04-S	1	Decal-Air Cleaner				

* Not illustrated
Order Parts From Kohler

