



Proline Mid-Size Gear 12.5hp

Traction Unit

Model No. 30165—22000001 and Up

Parts Catalog

Ordering Replacement Parts

To order replacement parts, please supply: the part number, the quantity, and the description of each part desired.

Understanding Reference Numbers

Each identified part in an illustration has a reference number. The reference number for a part also appears in the parts list, along with other information about the part.

This catalog uses two special reference number formats, one to indicate parts in a service assembly and another to indicate the quantity of a given part in an illustration.

Service Assembly Reference Numbers

Parts in service assemblies have reference numbers in the form **a:b**. The **a** represents the reference number of the entire service assembly and the **b** represents a sequential number unique to each part within the service assembly.

For example, a wheel assembly might be identified by reference number **6**, the tire by **6:1**, the valve by **6:2**, and the wheel by **6:3**. When you order the assembly identified by reference number **6**, you receive all parts identified by reference numbers **6:1**, **6:2**, and **6:3**. However, you may also order any part individually.

Reference numbers of this type appear in illustrations and in part lists.

Reference Numbers Indicating Quantity

In an illustration, if a reference number indicates more than one part, the reference number has the form **nX y**. The **n** represents the quantity of the part, the **X** is the multiplication symbol, and the **y** represents the reference number.

For example, in an illustration, the reference number **2X 37** means that two of the parts identified by reference number **37** are indicated.

Contents

Description	Page	Description	Page
Fuel Tank and Idler Bracket Assembly	3	Lubrication Equipment Assembly	
Transmission and Idler Pulley Assembly	4	Kawasaki Model FB460V-LS08	15
Brake Pulley and Wheel Assembly	5	Cooling Equipment Assembly	
Wheel and Tire Assembly	6	Kawasaki Model FB460V-LS08	16
Handle and Control Panel Assembly	7	Electric Equipment Assembly	
Engine, Clutch and Muffler Guard Assembly ..	8	Kawasaki Model FB460V-LS08	17
Clutch Assembly No. 54-3200	9	Control Equipment Assembly	
Peerless Transmission Model 700-082	10	Kawasaki Model FB460V-LS08	18
Electrical Schematic	11	Carburetor Assembly	
Crankcase Assembly		Kawasaki Model FB460V-LS08	19
Kawasaki Model FB460V-LS08	12	Air Filter Assembly	
Piston and Crankshaft Assembly		Kawasaki Model FB460V-LS08	20
Kawasaki Model FB460V-LS08	13	Starter Assembly	
Valves and Camshaft Assembly		Kawasaki Model FB460V-LS08	21
Kawasaki Model FB460V-LS08	14	Muffler Assembly	
		Kawasaki Model FB460V-LS08	22

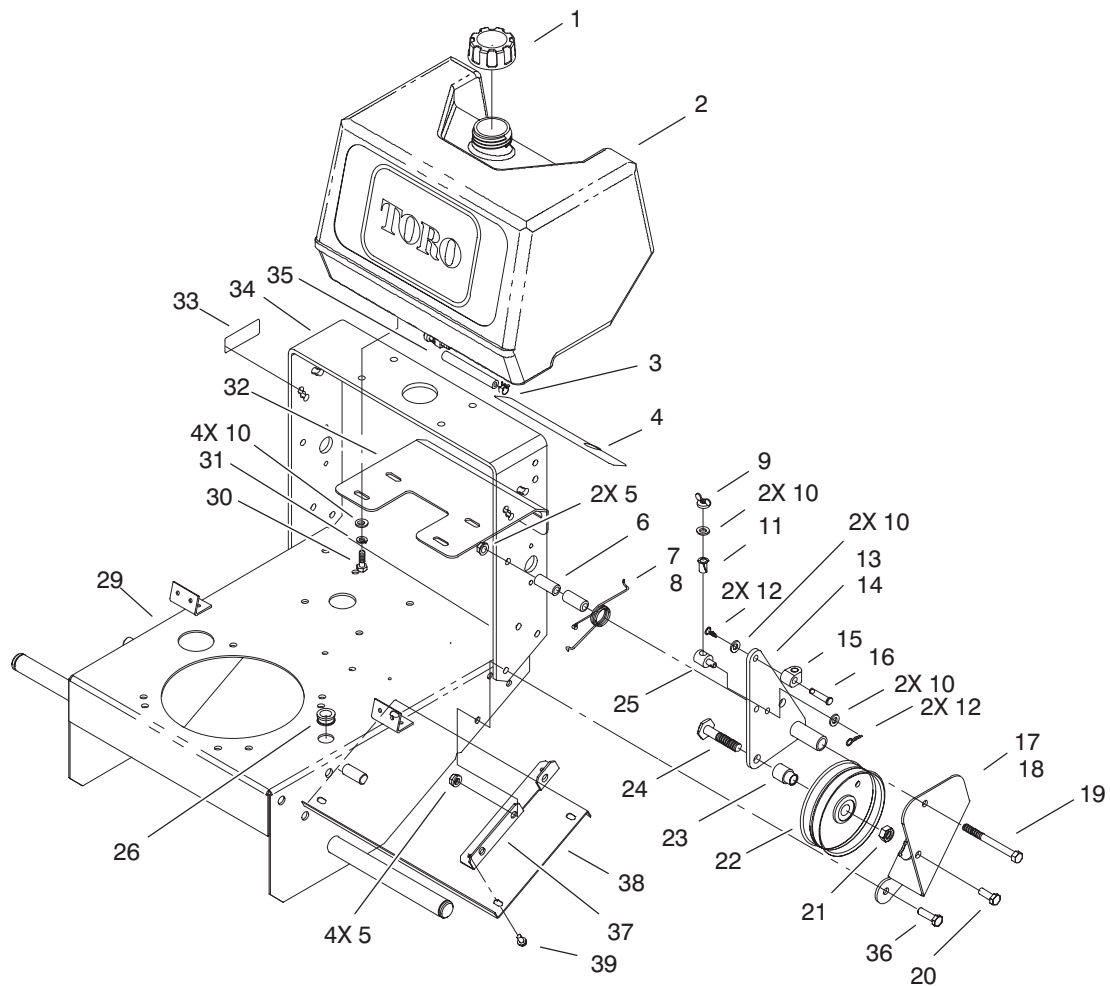
Accessories

Description	Model / Part No.	Description	Model / Part No.
36in Cutting Unit	30138	Bagging Kit for 36in Deck	30125
37in Recycler Deck	30139	Bagging Kit for 37in Deck (Cloth Bag)	30129
44in Cutting Unit	30145	Bagging Kit for 44in and 52in Decks	30128

Part Description Abbreviations

Part descriptions in this catalog may include the following abbreviations.

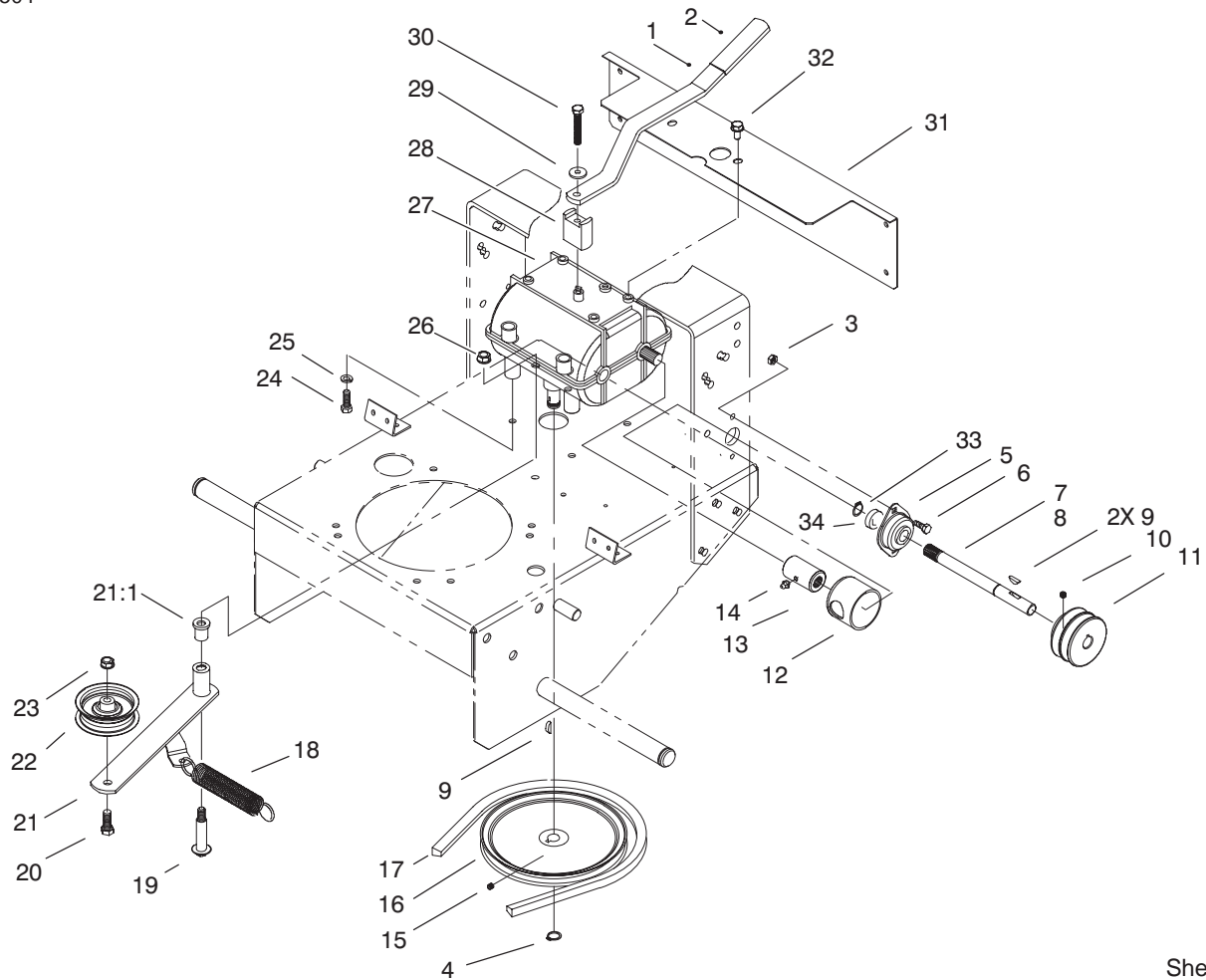
Abbreviation	Meaning	Abbreviation	Meaning
AR	as required	HYD	hydraulic
ASM	assembly	INC	incorporated
CARR	carriage	LH	left hand
DEG	degrees	NI	nylon insert
FH	flat head	PPH	Phillips pan head
GA	gauge	PTH	Phillips truss head
HF	hex flange	PTO	power take off
HH	hex head	RH	right hand
HHF	hex head flange	SFH	slotted fillister head
HLH	hex lag head	SHH	slotted hex head
HJ	hex jam	SQH	square head
HOC	height-of-cut	SHWH	slotted hex washer head
HS	hex socket	SPH	slotted pan head
HSBH	hex socket button head	SRH	slotted round head
HSFH	hex socket flat head	STD	standard
HSH	hex socket head	TAP	self tapping
HWH	hex washer head	TTH	Torx truss head
HWHTF	hex washer head thread forming	WH	wing head



Sheet No.:2

Fuel Tank and Idler Bracket Assembly

Ref. No.	Part No.	Qty.	Description	Ref. No.	Part No.	Qty.	Description
1	55-3570	1	Gas Cap ASM	29	93-7438-01	1	Frame
2	95-2802	1	Tank-Fuel	30	322-4	4	Screw-HH
3	2412-98	2	Clamp	31	3253-4	4	Washer-Lock
4	93-7297	1	Decal-Speed, Ground	32	66-7400-01	1	Plate-Control
5	3296-39	6	Nut-Lock, NI	33	93-9353	1	Decal-Shut Off, Fuel
6	74-0040	4	Spacer-Pivot, Idler	34	74-0360-01	1	Frame-Rear
7	51-4370	1	Spring-Torsion, RH	35	47-2982	1	Hose-Fuel
8	51-4380	1	Spring-Torsion, LH	36	323-7	4	Screw-HH
9	32103-25	2	Nut-Wing	37	93-7436-03	2	Angle-Mounting
10	3256-23	10	Washer-Flat	38	93-7437-01	1	Panel-Bottom
11	52-2890	2	Bushing-Nylon	39	12-3270	4	Screw
12	3290-307	4	Pin-Hair				
13	74-0230-01	1	Bracket-Idler, RH				
14	74-0220-01	1	Bracket-Idler, LH				
15	74-0521	2	Fitting-Rod				
16	283-6	2	Pin-Clevis				
17	67-6370-01	1	Bracket-Support, RH				
18	67-6380-01	1	Bracket-Support, LH				
19	323-16	2	Screw-HH				
20	323-6	2	Screw-HH				
21	3296-23	2	Nut-Lock, NI				
22	95-2800	2	Pulley-Idler				
23	95-2801	2	Spacer-Pulley				
24	51-4450	2	Screw-Leveler				
25	68-9690	2	Fitting-Rod				
26	237-124	1	Grommet				

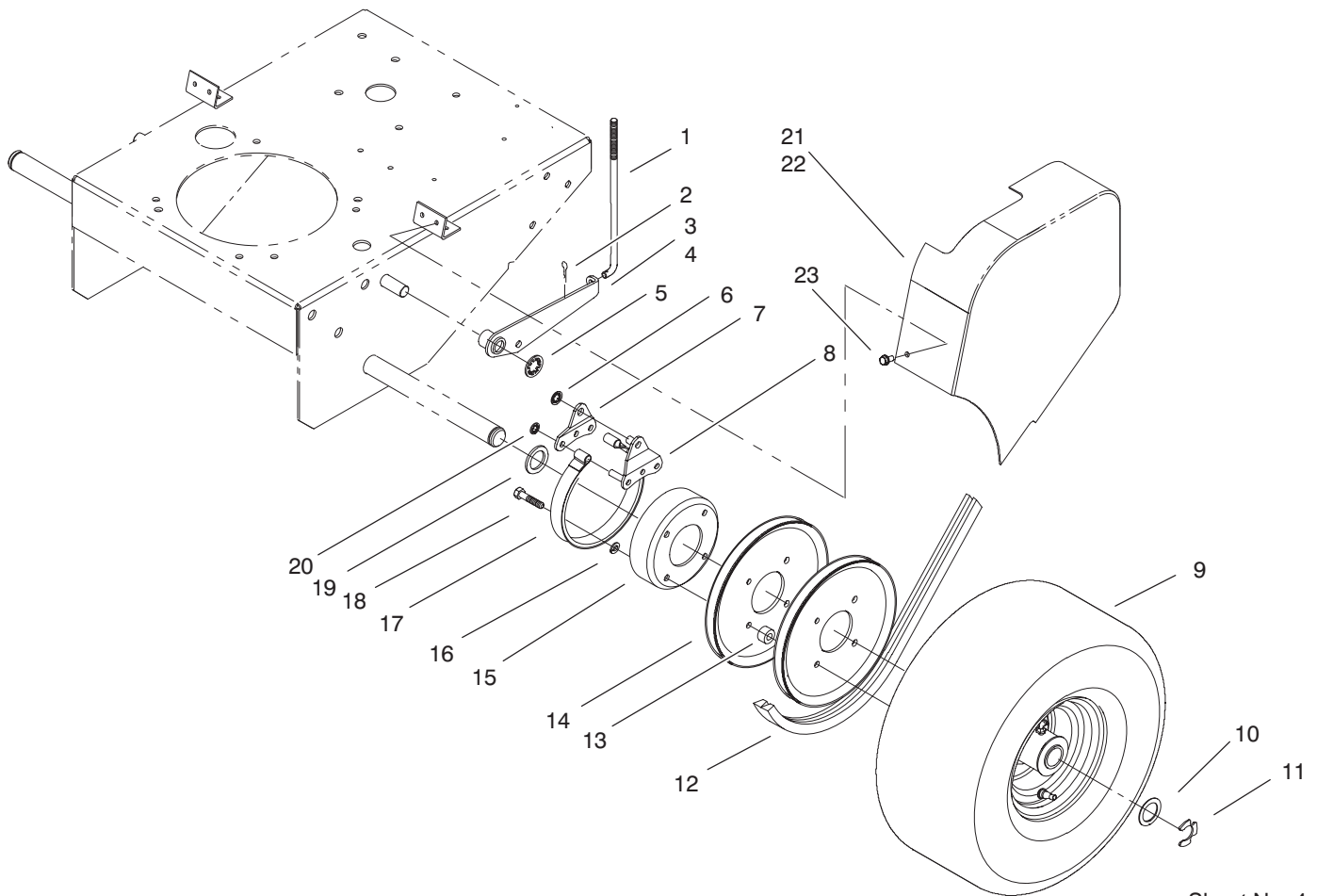


Sheet No.:3

Transmission and Idler Pulley Assembly

Ref. No.	Part No.	Qty.	Description
1	74-0320-01	1	Lever-Shift
2	47-1970	1	Grip
3	3296-42	4	Nut-Lock, NI
4	32120-64	1	Ring-Snap, External
5	1-323254	2	Flange-Output
6	321-4	4	Screw-HH
7	98-0788	1	Shaft-Extension, RH
8	98-0787	1	Shaft-Extension, LH
9	3257-5	3	Key-Woodruff
10	3245-3	2	Screw-Set, HS
11	105-0828	2	Pulley-Transmission
12	51-4220	2	Guard-Coupler
13	98-0789	2	Coupler
14	302-5	2	Fitting-Grease
15	3245-1	1	Screw-Set, HSH
16	51-4190	1	Pulley-Driven
17	26-9671	1	V-Belt
18	68-2190	1	Spring
19	27-6230	1	Bolt-Wheel
20	323-8	1	Screw-HH
21	16-7509	1	Lever-Idler
21:1	256-155	2	Bushing-Flange
22	62-4540	1	Pulley
23	3296-39	1	Nut-Lock, NI
24	322-2	4	Screw-HH
25	3253-4	4	Washer-Lock

Ref. No.	Part No.	Qty.	Description
26	3296-6	1	Nut-Lock, NI
27	98-0791	1	Transmission
28	72-2190	1	Mount-Lever, Shift
29	7-5461	1	Spacer
30	329-10	1	Screw-HH
31	93-7431-03	1	Guard-Shaft, Trans
32	32144-14	2	Screw-HWH
33	32151-52	2	Ring-Retaining
34	1-323252	2	Bearing-Shaft

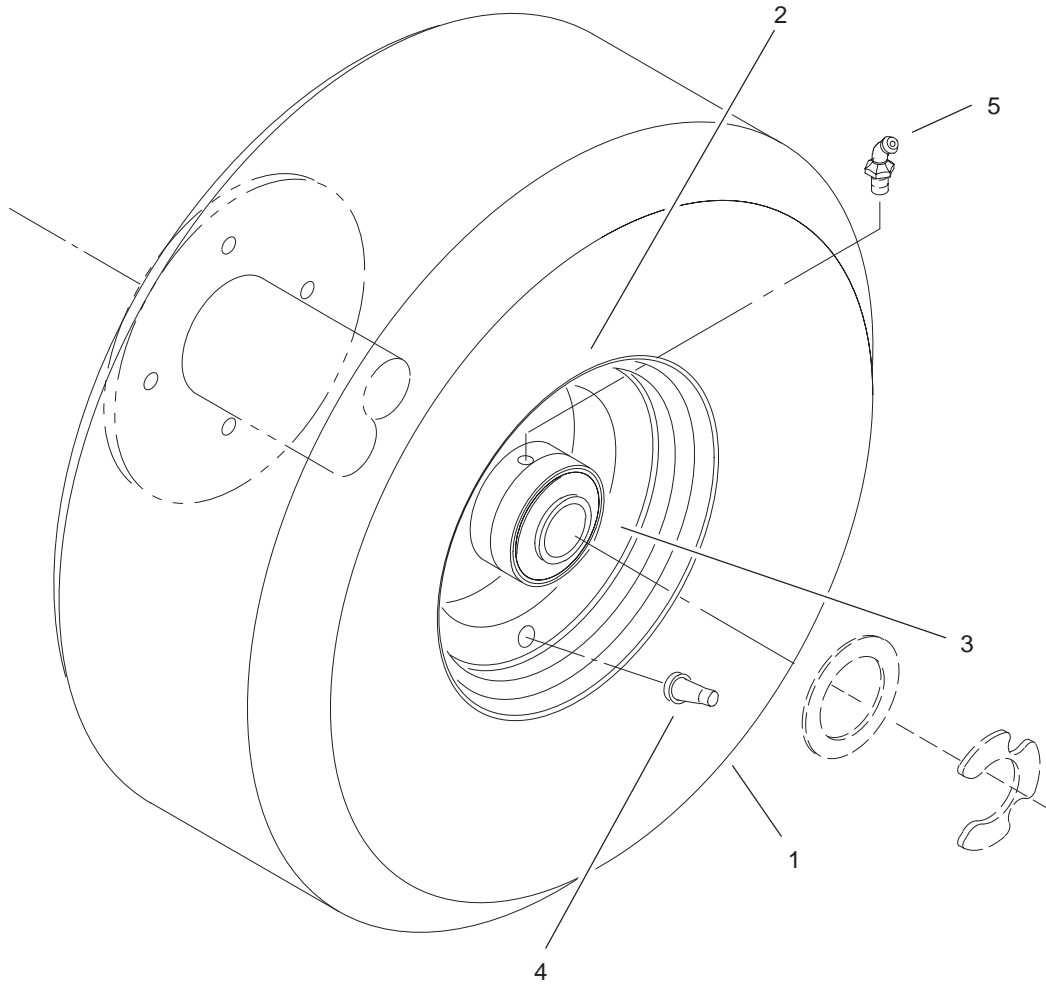


Sheet No.:4

Brake Pulley and Wheel Assembly

Ref. No.	Part No.	Qty.	Description	Ref. No.	Part No.	Qty.	Description
1	51-4580	2	Rod-Brake				
2	3290-307	2	Pin-Hair				
3	51-4600-01	1	Arm-Brake, RH				
4	51-4610-01	1	Arm-Brake, LH				
5	32151-40	2	Ring-Retaining				
6	32151-56	2	Ring-Retaining, External				
7	51-4660-01	2	Plate-Link, Brake				
8	51-4650-01	2	Link-Brake				
★9		2	Wheel And Tire ASM				
10	10-8110	2	Washer-Thrust				
11	32151-91	2	Ring-Retaining				
12	51-4290	2	V-Belt				
13	51-4170	8	Spacer-Pulley				
14	51-4160-03	4	Pulley-Wheel				
15	51-4180-03	2	Drum-Brake				
16	3253-4	8	Washer-Lock				
17	51-4700	2	Band-Brake				
18	322-7	8	Screw-HH				
19	51-4230	2	Washer-Wheel				
20	32151-72	4	Ring-Retaining				
21	93-7433	1	Guard-Belt, RH				
22	93-7434	1	Guard-Belt, LH				
23	12-3270	6	Screw				

★ Not serviced separately



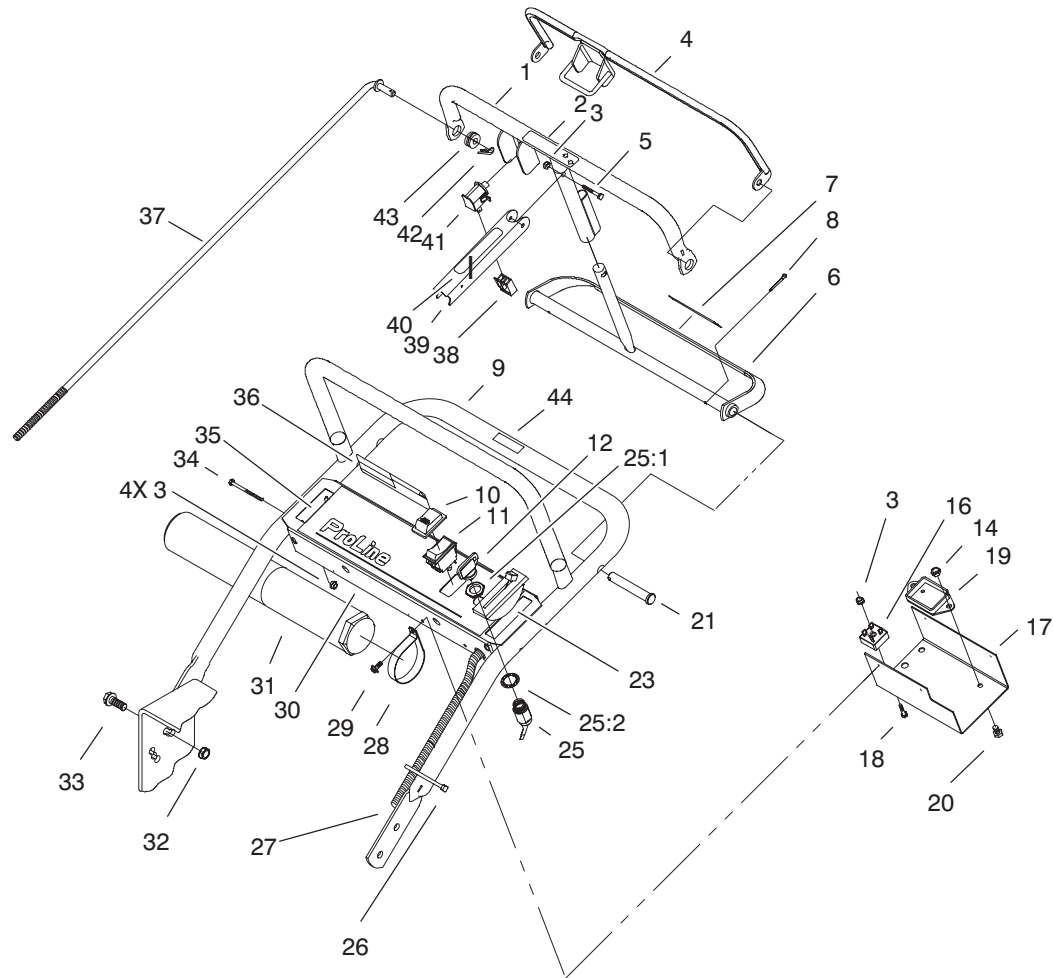
Sheet No.:A1

Wheel and Tire Assembly

Ref. No.	Part No.	Qty.	Description
1	231-111	1	Tire
2	242-80	1	Wheel And Hub ASM
3	92-1746	2	Bearing-Ball
4	232-27	1	Stem-Valve
5	302-11	1	Fitting-Lube, 45°

Ref. No.	Part No.	Qty.	Description

PROTOTYPE

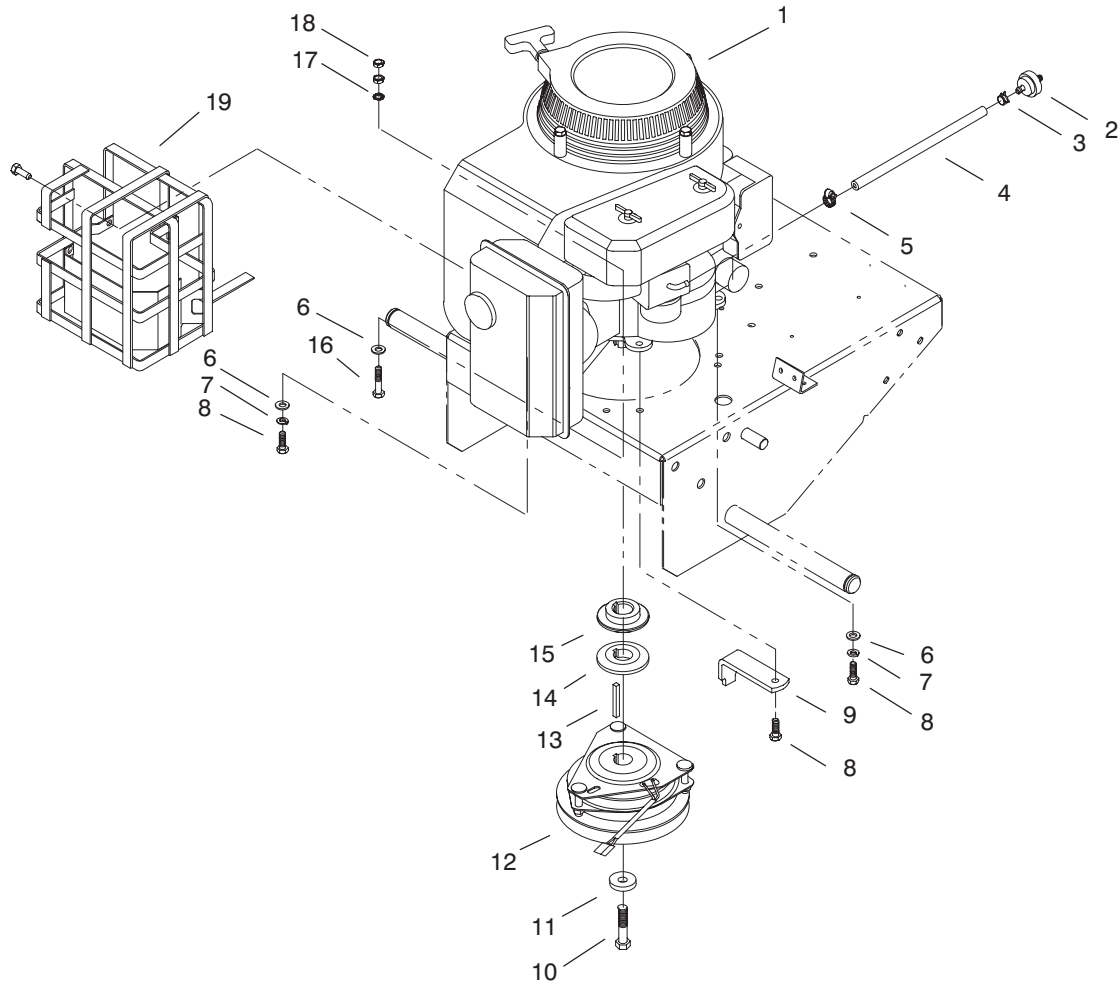


Sheet No.:5

Handle and Control Panel Assembly

Ref. No.	Part No.	Qty.	Description
1	82-7690-03	1	Bar-Control
2	93-7298	1	Decal-Bar, Control
3	3296-2	6	Nut-Lock
4	82-7680-03	1	Bail
5	32105-1	1	Screw-SHH
6	99-8501-03	1	Control-Pivot
7	93-7299	1	Decal-Reverse
8	3272-11	2	Pin-Cotter
9	67-6440-01	1	Handle-Upper
10	82-3820	1	Boot-Switch
11	82-2300	1	Switch
12	63-8360	2	Key-Ignition
14	3296-42	1	Nut-Lock, NI
16	37-7600	1	Rectifier-Bridge
17	93-1187-03	1	Panel-Bottom
18	32105-13	1	Screw-SHH
19	100-6170	1	Module-Delay
20	321-2	1	Screw-HH
21	283-55	2	Pin-Clevis
23	74-0740	1	Control-Throttle
25	29-5560	1	Switch-On/Off
25:1	218-461	1	Nut-HH
25:2	3254-5	1	Washer-Lock, Internal
26	3290-378	2	Tie-Cable
27	100-6459	1	Harness-Wire, Recoil
28	2412-120	2	R-Clamp

Ref. No.	Part No.	Qty.	Description
29	32104-76	4	Screw
30	82-2180-03	1	Panel-Control
31	74-0720	1	Tube-Manual
32	32128-21	4	Nut-HF
33	3234-11	4	Screw-HHF
34	32105-14	4	Screw
35	93-7295	1	Decal-Panel
36	93-6657	1	Decal-Danger
37	82-7631	2	Rod-Control
38	218-595	1	Connector-Body
39	51-4850-03	1	Lever-Brake, Parking
40	93-7442	1	Decal-Lever, Parking
41	82-2190	1	Switch-Bail
42	3290-307	2	Pin-Hair
43	237-141	2	Grommet-Rubber
44	98-4387	1	Decal-Protection, Ear

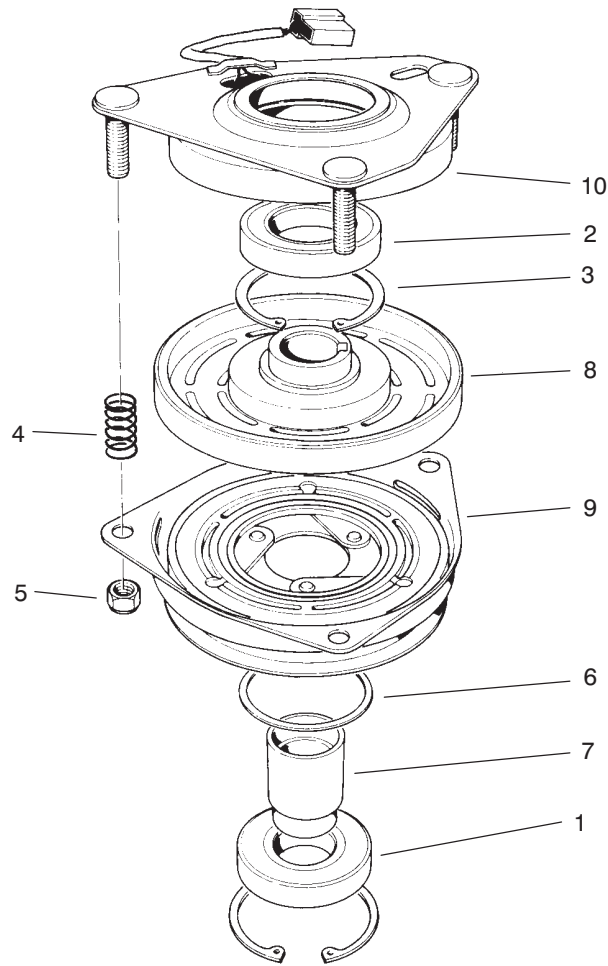


Sheet No.:6

Engine, Clutch and Muffler Guard Assembly

Ref. No.	Part No.	Qty.	Description
1	100-6466	1	Engine-12.5hp, Kawasaki Fb460v-Ls08
2	56-6360	1	Filter-Fuel
3	2412-98	1	Clamp
4	47-2982	1	Hose-Fuel
5	2412-108	1	Clamp-Worm
6	3256-23	3	Washer-Flat
7	3253-4	2	Washer-Lock
8	33114-025	3	Screw-HH
9	51-4540-03	1	Retainer-Clutch
10	57-6360	1	Screw-Clutch
11	112843	1	Washer
12	54-3200	1	Clutch/Brake ASM
13	92-5436	1	Key
14	74-0050	1	Sheave-Half, Lower
15	74-0060	1	Sheave-Half, Upper
16	57-6370	1	Screw(Eng Ground)
17	3255-8	1	Washer-Lock/Ext
18	57-6390	2	Nut-Jam
19	105-0857-03	1	Muffler Guard ASM

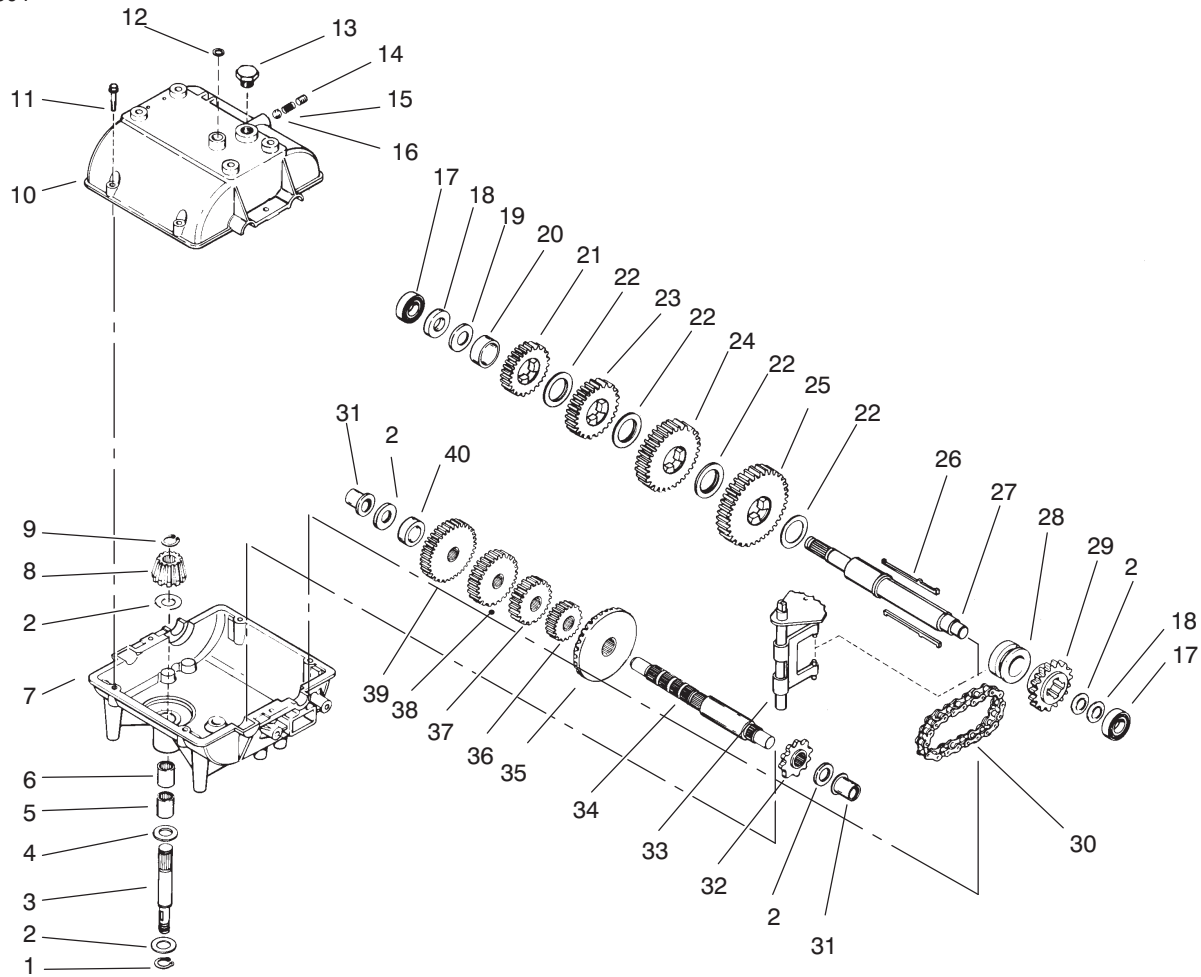
Ref. No.	Part No.	Qty.	Description
PROTOTYPE			



Sheet No.:A2

Clutch Assembly No. 54-3200

Ref. No.	Part No.	Qty.	Description	Ref. No.	Part No.	Qty.	Description
1		1	Clutch-Deck				
1	251-291	1	Bearing-Pulley				
2	251-292	1	Bearing-Field				
3	44-8310	2	Ring-Retaining				
4	44-8320	3	Spring				
5	3296-6	3	Nut-Lock, NI				
6	44-8330	1	Spacer-Bearing, Pulley				
7	44-8340	1	Collar-Bearing				
8	44-8360	1	Field Coil, Rotor, Bearing ASM				
9	44-8370	1	Armature Pulley Bearing ASM				
10	54-0230	1	Field Bearing ASM				



Peerless Transmission Model 700-082

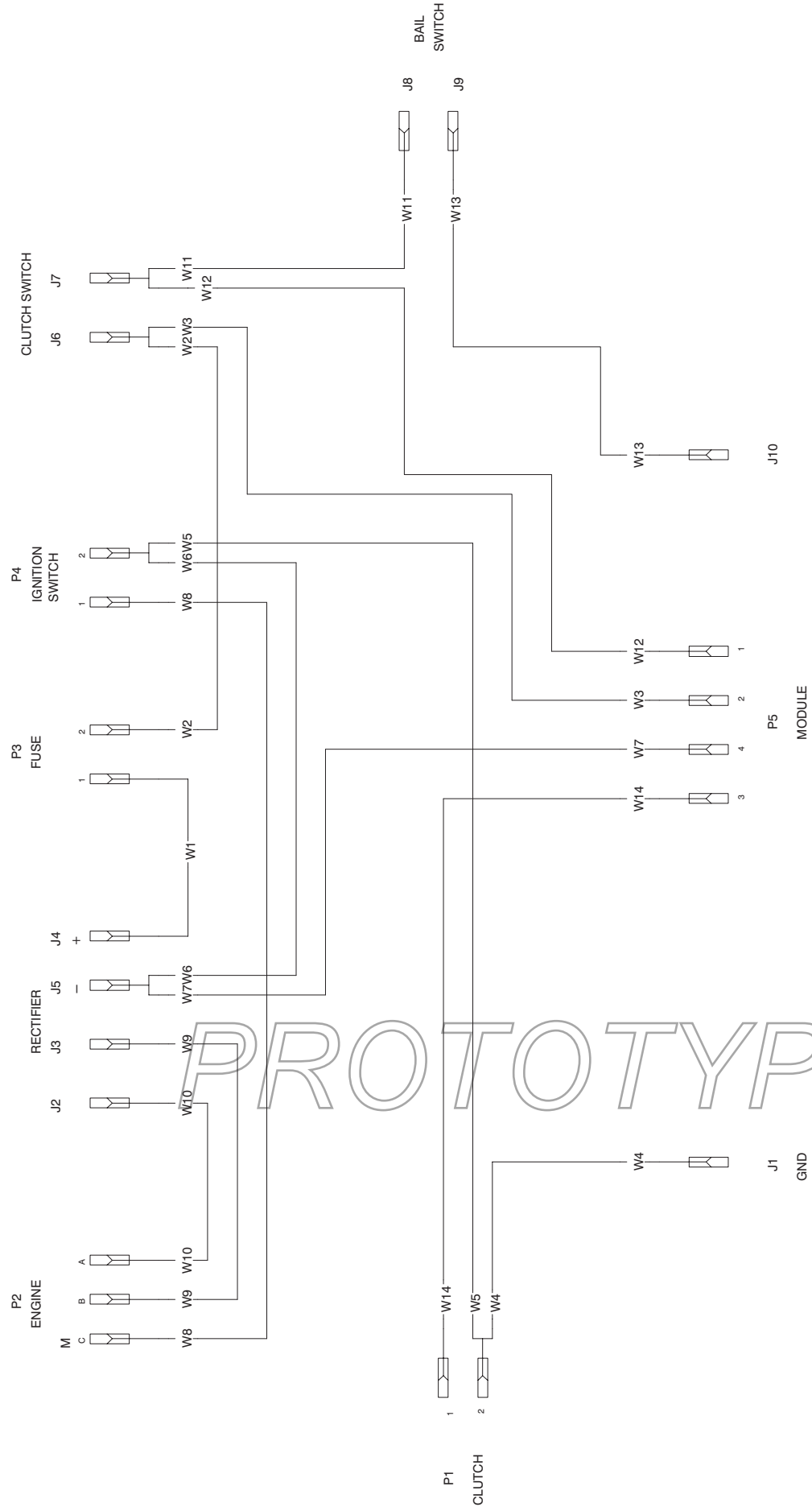
Ref. No.	Part No.	Qty.	Description
1	792035	1	Ring – Retaining
2	780072	5	Washer – Thrust
3	776135	1	Shaft – Input
4	792001	2	"O"Ring
5	780142	1	Bearing – Needle
6	780086A	1	Bearing – Needle
7	770090A	1	Case – Transmission
8	778153	1	Bevel Pinion – Input
9	788040	1	Ring – Retaining
10	772099A	1	Cover – Transmission
11	792073A	6	Screw – Self Tapping
12	788069	1	Seal – Square Cut
13	792074	1	Plug – Threaded
14	792078	1	Screw – Set
15	792079	1	Spring
16	792077A	1	Ball – Steel
17	780092	2	Bearing – Ball
18	780065	2	Washer – Thrust
19	780139	1	Washer – Thrust
20	786072	1	Spacer
21	778123A	1	Gear – Spur (25 Teeth)
22	780108	4	Washer – Thrust
23	778250	1	Gear – Spur (27 Teeth)
24	778124A	1	Gear – Spur (30 Teeth)
25	778125	1	Gear – Spur (35 Teeth)
26	792089A	4	Key

Ref. No.	Part No.	Qty.	Description
27	776421	1	Shaft – Shifter & Brake
28	784266	1	Collar – Shift
29	786083	1	Sprocket (18 Teeth)
30	786081	1	Chain – Roller (No. 41 Chain 24 Links)
31	780105A	2	Bushing – Flanged
32	786082	1	Sprocket (9 Teeth)
33	784267	1	Rod & Fork Asm – Shift
34	776134	1	Shaft – Counter
35	778154	1	Gear – Bevel (42Teeth)
36	778136	1	Gear – Spur (15 Teeth)
37	778126A	1	Gear – Spur (20 Teeth)
38	778249	1	Gear – Spur (23 Teeth)
39	778127A	1	Gear – Spur (25 Teeth)
40	786071	1	Spacer
*	788067B	1	Grease 32oz Bottle
*	510334	1	Grease Eliminator

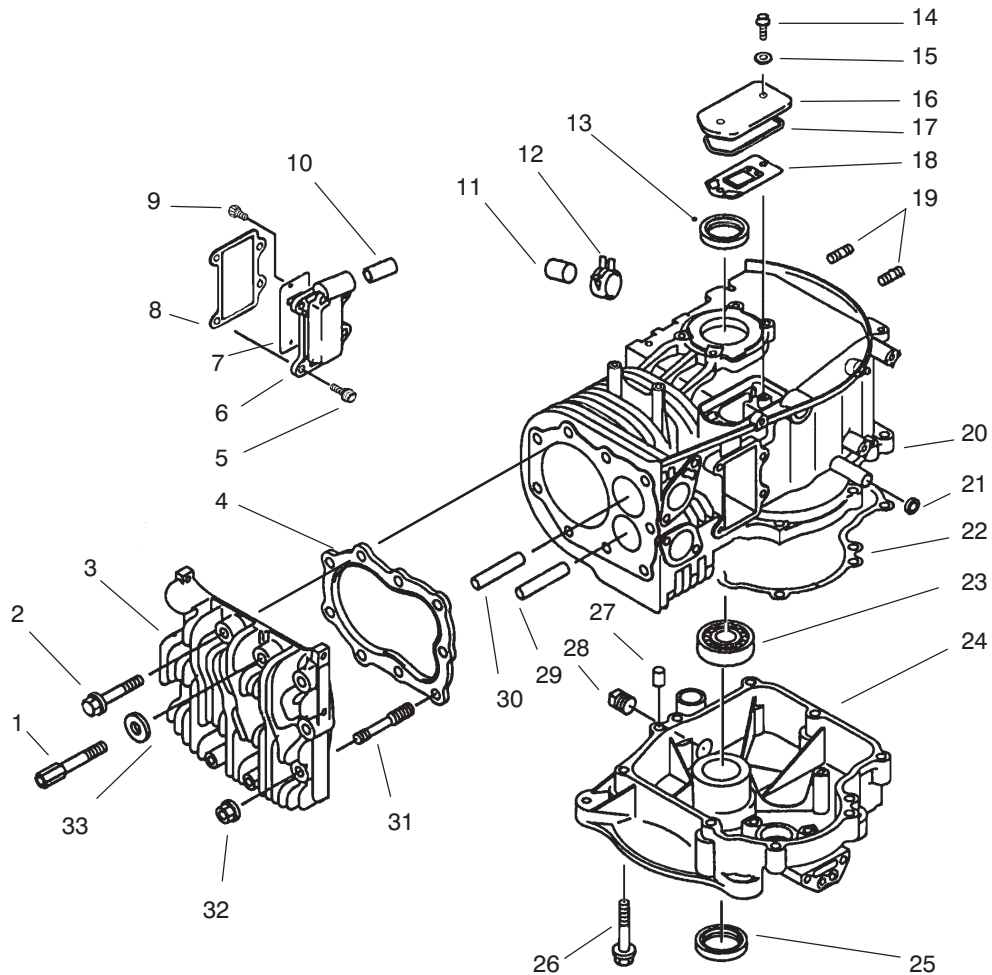
* Not illustrated

Electrical Schematic

12.5HP KAWASAKI RECOIL



PROTOTYPE



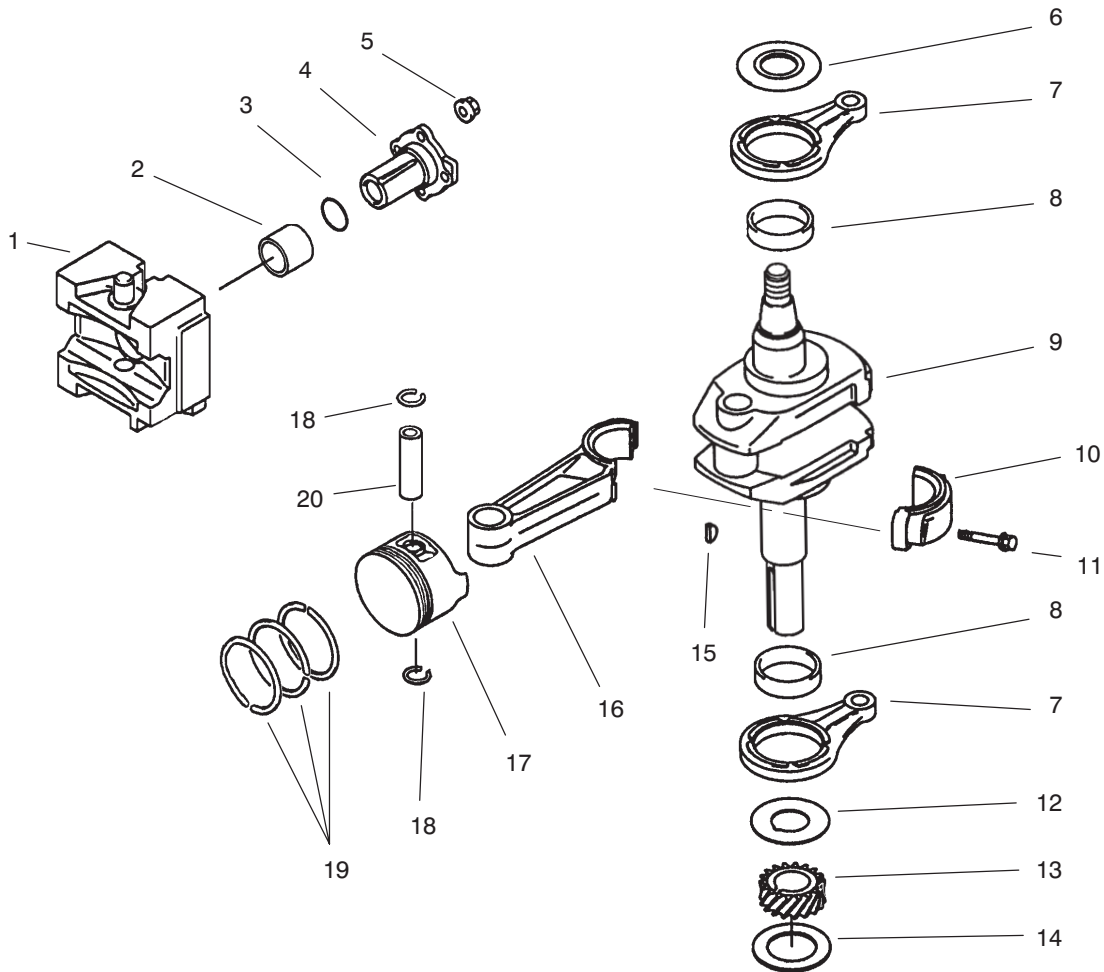
Crankcase Assembly – Kawasaki Model FB460V-LS08

Ref. No.	Part No.	Qty.	Description
1	92002-2258	2	Bolt
2	130g1055	4	Bolt-Flange
3	11001-2151	1	Head-Cylinder
4	11004-2091	1	Gasket-Head
5	130g0616	4	Bolt-Flange
6	49108-2011	1	Cover-Valve Chamber
7	14025-2143	1	Cover
8	11060-2059	1	Gasket
9	92009-2307	2	Screw
10	92059-2142	1	Tube
11	92066-2096	1	Plug
12	92170-2088	1	Clamp
13	92049-2096	1	Seal-Oil
14	92002-2087	2	Bolt
15	11060-2323	2	Gasket
16	14025-2040	1	Cover-Breather
17	11009-2339	1	Gasket-Cover
18	14069-2062	1	Breather
19	92004-2083	4	Stud-6 X 14
20	49120-6108	1	Crankcase-Complete
21	92049-2097	1	Seal-Oil
22	11060-2015	1	Gasket-Crankcase
23	601a6207	1	Bearing-Ball
24	49015-6176	1	Cover-Crankcase
25	92049-2227	1	Seal-Oil
26	130g0845	8	Bolt-Flange

Ref. No.	Part No.	Qty.	Description
27	92043-1263	2	Pin
28	92066-2097	1	Plug
29	49002-2071	1	Guide-Valve Exhaust
30	49002-2070	1	Guide-Valve Intake
31	92004-2082	3	Stud
32	92015-2115	3	Nut
33	410b1000	2	Washer-Plain

PROTOTYPE

*Order Parts from Kawasaki

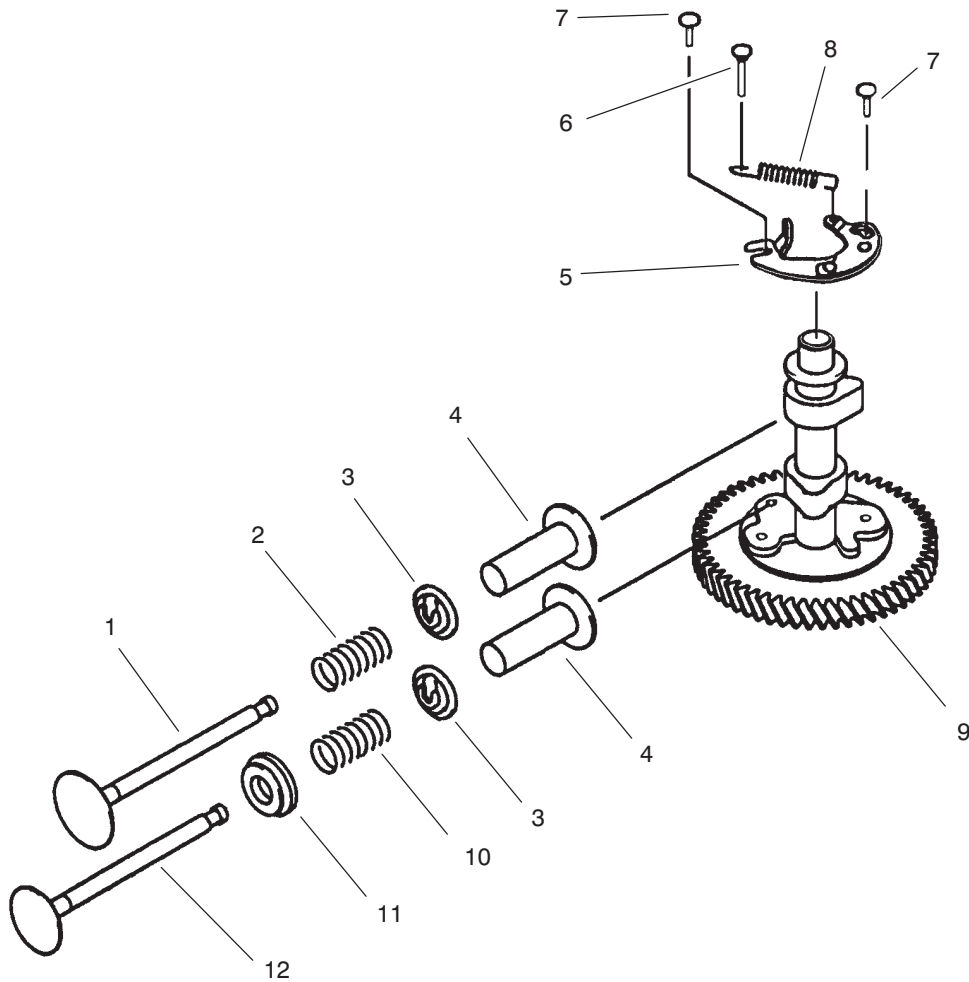


Piston and Crankshaft Assembly Kawasaki Model FB460V-LS08

Ref. No.	Part No.	Qty.	Description
1	13042-6006	1	Weight Incl #2
2	92141-2097	1	Bearing-Plane
3	92055-2072	1	O-Ring
4	13107-2253	1	Shaft
5	92015-1193	4	Nut
6	92026-2164	1	Spacer
7	46102-6007	2	Rod Incl #8
8	92141-2108	2	Bearing-Plane
9	49119-2177	1	Crankshaft ASM
11	92050-2193	2	Bolt
12	92026-2156	1	Spacer
13	59056-2105	1	Gear-Helical
14	92025-2145	A/R	Shim T=1.18
14	92025-2146	A/R	Shim T=1.25
14	92025-2147	A/R	Shim T=1.32
14	92025-2148	A/R	Shim T=1.39
14	92025-2149	A/R	Shim T=1.46
14	92025-2150	A/R	Shim T=1.53
14	92025-2151	A/R	Shim T=1.60
14	92025-2152	A/R	Shim T=1.67
14	92025-2153	A/R	Shim T=1.74
14	92180-2015	A/R	Shim T=1.11
14	92180-2016	A/R	Shim T=1.81
15	92038-2094	1	Key

Ref. No.	Part No.	Qty.	Description
16	13251-6005	1	Rod ASM Incl #10 11
16	13251-6007	A/R	Rod ASM Incl #10 11 0.50
17	13001-2084	1	Piston
17	13029-2019	A/R	Piston 0.25
17	13029-2020	A/R	Piston 0.50
18	92033-2066	2	Ring-Snap
19	13008-6001	1	Set-Ring/Piston
19	13008-6002	A/R	Set-Ring-Piston 0.25
19	13008-6003	A/R	Set-Ring-Piston 0.50
20	13002-2066	1	Pin-Piston

*Order Parts from Kawasaki



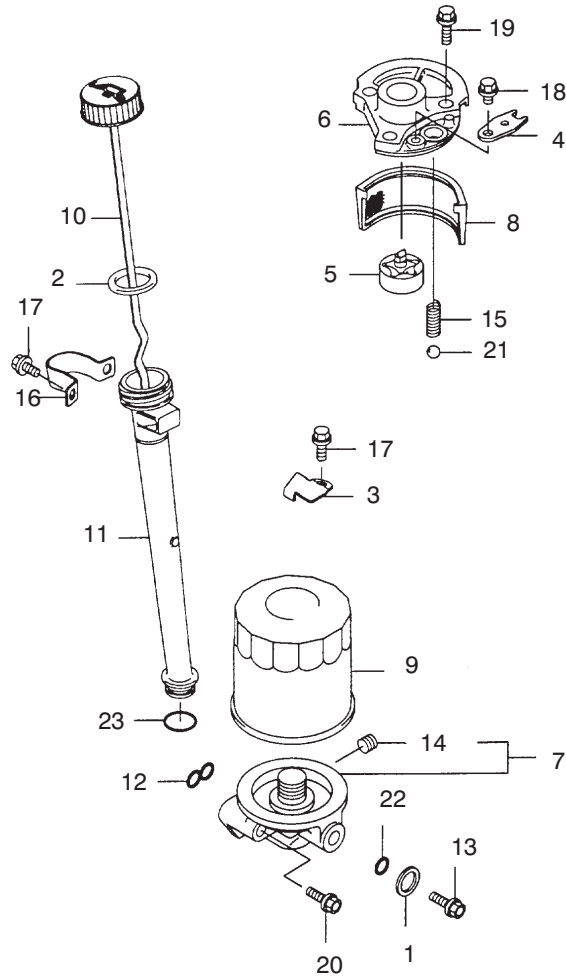
Valves and Camshaft Assembly Kawasaki Model FB460V-LS08

Ref. No.	Part No.	Qty.	Description
1	12004-2076	1	Valve-Intake
2	49078-2059	1	Spring-Valve
3	39108-2054	2	Retainer-Spring
4	12032-2058	2	Tappet
5	21118-2068	1	Decompressor
6	92043-2167	1	Pin
7	92043-2113	2	Pin
8	92144-2171	1	Spring
9	49118-2134	1	Camshaft Incl # 5-8
10	49078-2058	1	Spring-Valve
11	12039-2052	1	Rotator
12	12005-2066	1	Valve-Exhaust

Ref. No.	Part No.	Qty.	Description

PROTOTYPE

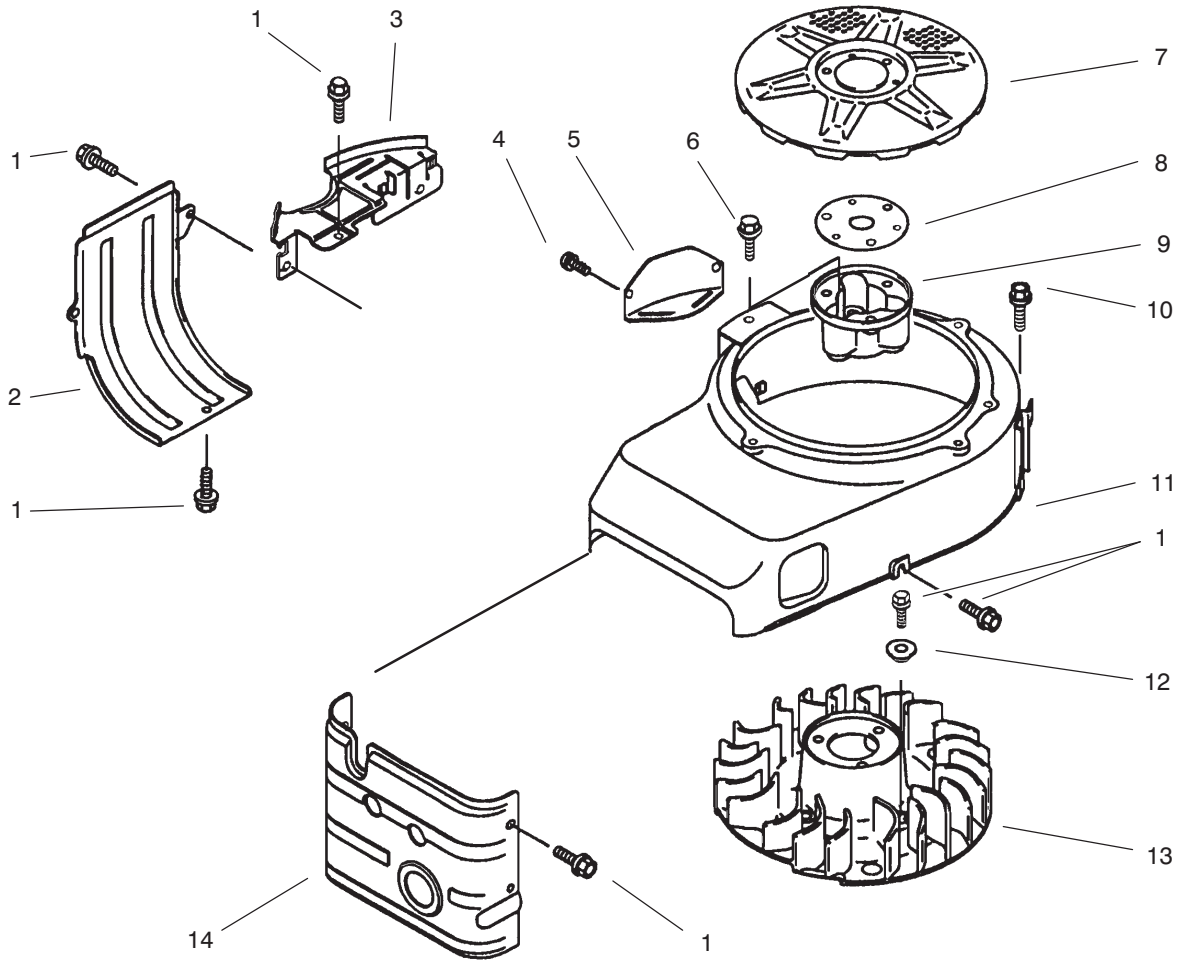
*Order Parts from Kawasaki



Lubrication Equipment Assembly Kawasaki Model FB460V-LS08

Ref. No.	Part No.	Qty.	Description	Ref. No.	Part No.	Qty.	Description
1	11009-2175	1	Gasket				
2	11009-2346	1	Gasket-Oil Gauge				
3	13169-2359	1	Plate				
4	13270-2054	1	Plate				
5	16082-2057	1	Pump Assy-Oil				
6	16142-6001	1	Cover-Pump				
7	23062-6001	1	Bracket-Comp				
8	49065-2056	1	Filter-Oil				
9	49065-2071	1	Filter-Oil				
10	52005-2058	1	Gauge-Oil				
11	59231-2059	1	Filler				
12	92055-2063	1	Ring-O				
13	92066-2093	1	Plug				
14	92066-2211	1	Plug				
15	92081-2216	1	Spring				
16	92170-2014-9H	1	Clamp				
17	130B0508	3	Bolt-Flanged				
18	130B610	1	Bolt-Flanged				
19	130G0825	3	Bolt-Flanged				
20	130G0845	2	Bolt-Flanged				
21	600A1000	1	Ball-Steel				
22	670D1507	1	O Ring				
23	670D2016	1	O Ring				

*Order Parts from Kawasaki

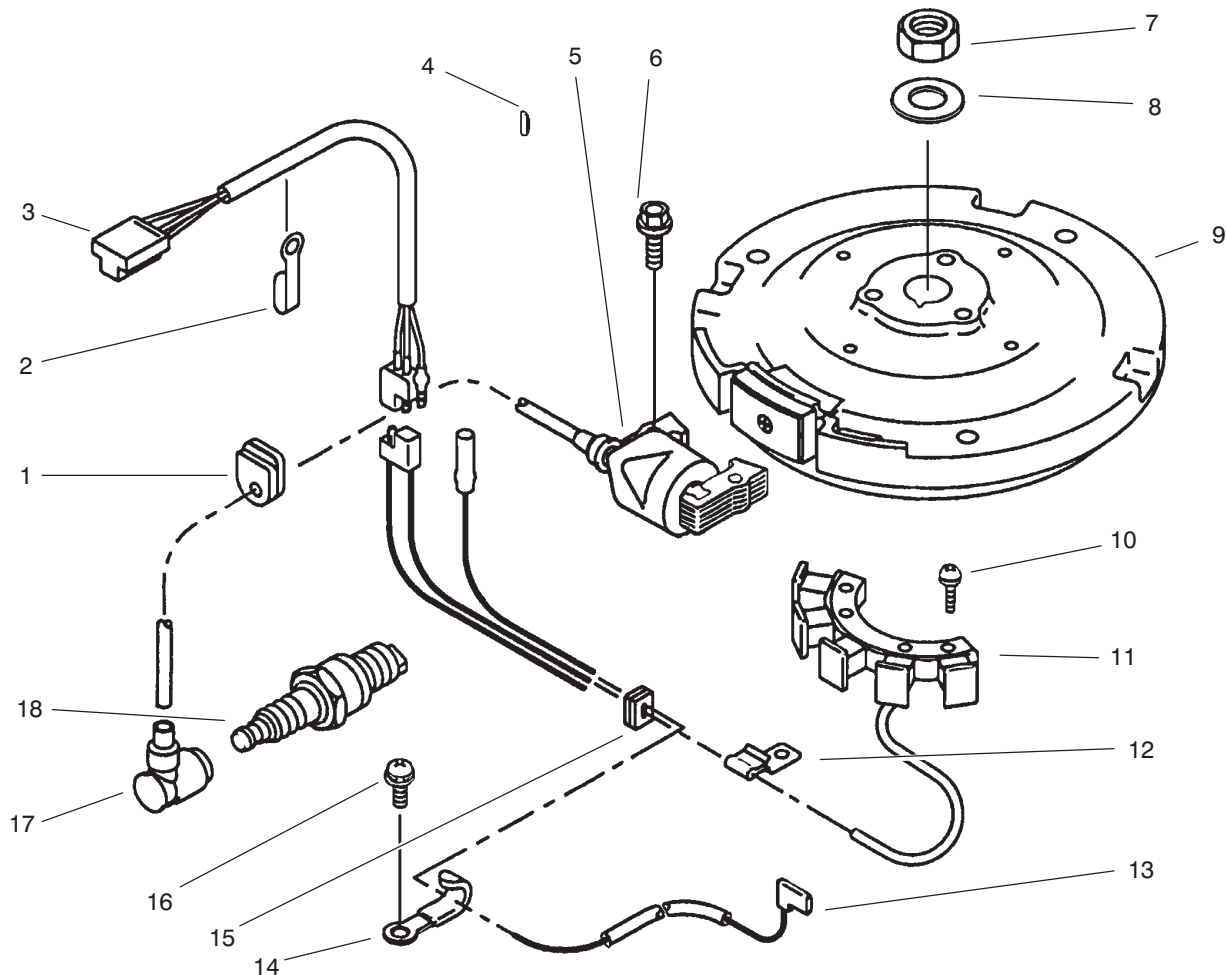


Cooling Equipment Assembly Kawasaki Model FB460V-LS08

Ref. No.	Part No.	Qty.	Description
1	130g0610	9	Bolt-Flange
2	49089-2199-9H	1	Shroud-Engine
3	59066-2295-9H	1	Housing-Fan
4	234b0408	2	Screw
5	14024-2038-9H	1	Cover
6	130b0820	3	Bolt-Flange
7	14037-2104-9H	1	Screen
8	92025-2003	1	Shim T-1.20
9	11044-2084	1	Bracket
10	130go614	6	Bolt-Flange
11	59066-2677-9H	1	Housing-Fan
12	92143-2179	4	Collar
13	59041-2081	1	Fan
14	49089-2181-9H	1	Shroud-Engine

Ref. No.	Part No.	Qty.	Description
<div style="font-size: 4em; opacity: 0.3; pointer-events: none;">PROTOTYPE</div>			

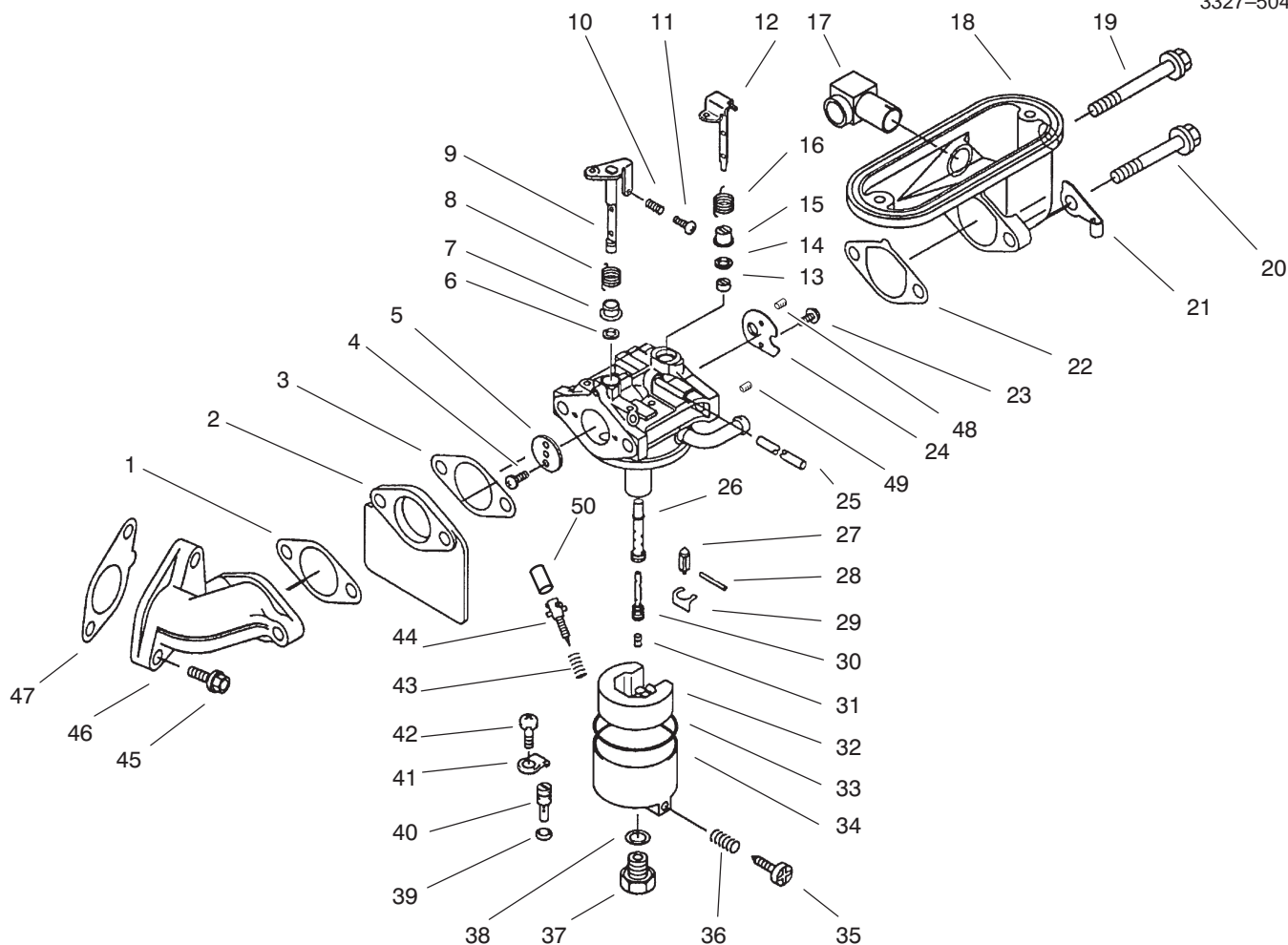
*Order Parts from Kawasaki



Electric Equipment Assembly Kawasaki Model FB460V-LS08

Ref. No.	Part No.	Qty.	Description	Ref. No.	Part No.	Qty.	Description
1	92071-2100	1	Grommet				
2	92037-2063	1	Clamp				
3	26001-2113	1	Harness-Wire				
4	92038-2094	1	Key				
5	21121-2086	1	Coil-Ignition				
6	130b0520	2	Bolt-Flange				
7	314g1800	1	Nut-Hex				
8	92022-2178	1	Washer				
9	21194-2323	1	Flywheel				
10	224b0620	2	Screw				
11	59031-2106	1	Coil-Charging				
12	92037-2158	1	Clamp				
13	26011-2329	1	Wire-Lead				
14	92170-2029	1	Clamp				
15	92071-2099	1	Grommet				
16	234b0408	1	Screw				
17	21130-2060	1	Cap-Spark Plug				
18	92070-2101	1	Spark Plug-Rcj8				

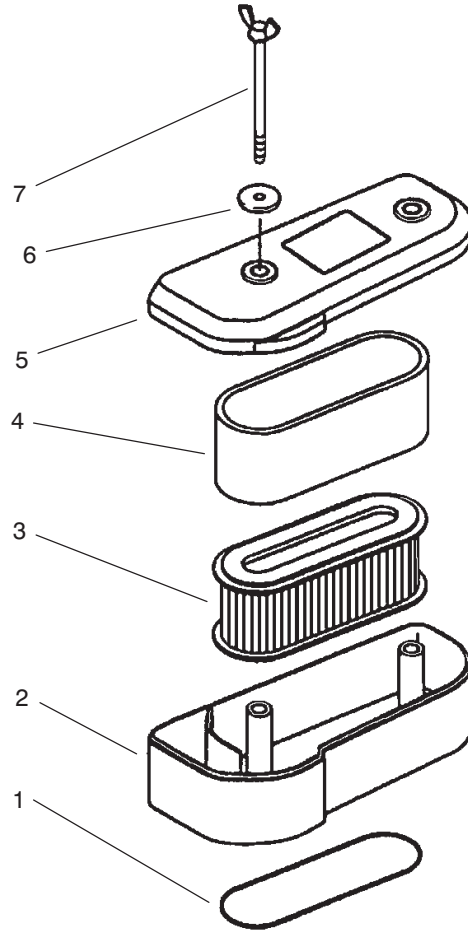
*Order Parts from Kawasaki



Carburetor Assembly – Kawasaki Model FB460V-LS08

Ref. No.	Part No.	Qty.	Description	Ref. No.	Part No.	Qty.	Description
0	15003-2467	1	Carburetor ASM	26	49121-2207	1	Nozzle-Main
1	11060-2338	1	Gasket-Intake Pipe	27	16030-2073	1	Valve-Float
2	16073-2091	1	Insulator	28	92043-2006	1	Pin
3	11060-2339	2	Gasket-Carburetor	29	92033-2067	1	Ring-Snap
4	92009-2080	2	Screw	30	49123-2078	1	Holder-Main Jet
5	16025-2141	1	Valve-Throttle #110	31	92063-2294	1	Jet-Main
6	92093-2082	1	Seal	32	16031-2066	1	Float
7	92027-2025	1	Collar	33	11009-2024	1	Gasket
8	92081-2077	1	Spring	34	16020-2109	1	Chamber-Float Incl 35 36
9	16041-2009	1	Shaft-Throttle	35	92009-2015	1	Screw
10	92081-2046	1	Spring	36	92081-2009	1	Spring
11	92009-2079	1	Screw	37	92150-2146	1	Bolt
12	16041-2010	1	Shaft-Choke	38	1100a-2025	1	Gasket
13	92027-2003	1	Collar	39	16038-024	1	Gasket
14	92093-2069	1	Seal	40	92064-2108	1	Jet-Pilot
15	92143-2142	1	Collar	41	13183-2252	1	Plate
16	92144-2160	1	Spring	42	92009-2244	1	Screw
17	59071-2062	1	Joint	43	92081-2008	1	Spring
18	16060-2108	1	Pipe-Intake	44	16014-2076	1	Screw-Pilot Air
19	92002-2254	1	Bolt	45	130g0825	2	Bolt-Flange
20	92002-2253	1	Bolt	46	16060-2109	1	Pipe-Intake
21	92170-2019	1	Clamp	47	11060-2337	1	Gasket-Intake Pipe
22	11009-2025	1	Gasket	48	16035-2063	1	Jet-Air #0.9
23	92009-2081	2	Screw	49	16035-2051	1	Jet-Air #1.4
24	16126-2206	1	Valve-Choke	50	39076-2053	1	Limiter
25	92059-2266	1	Tube				

*Order Parts from Kawasaki

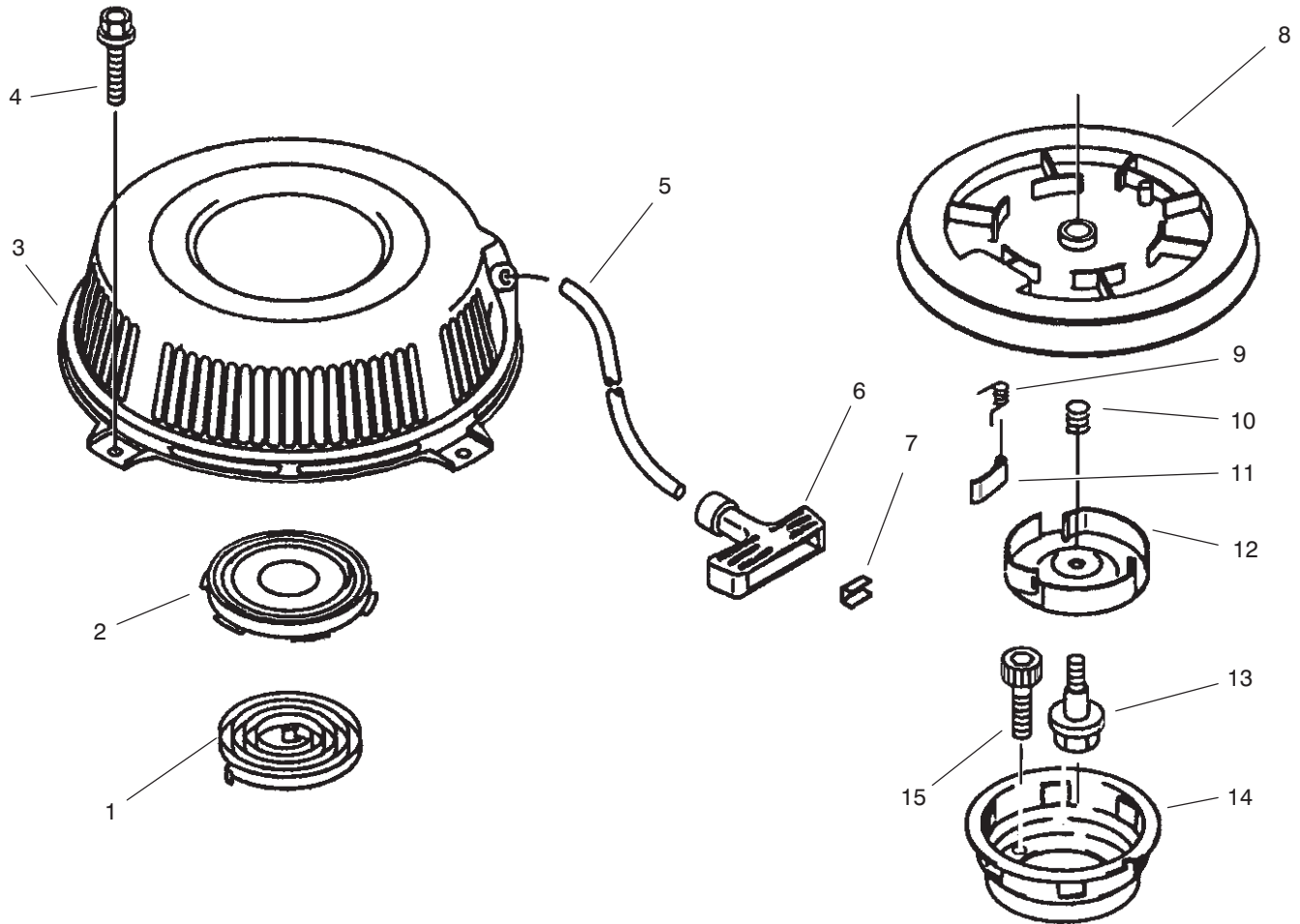


Air Filter Assembly – Kawasaki Model FB460V-LS08

Ref. No.	Part No.	Qty.	Description	Ref. No.	Part No.	Qty.	Description
1	11009-2443	1	Gasket-Air Filter				
2	11011-2174	1	Case-Air Filter				
3	11013-2021	1	Element-Air Filter				
4	11013-2020	1	Element-Air Filter				
5	11012-2192	1	Cap-Air Filter				
6	92022-2220	2	Washer				
7	92002-2230	2	Bolt				
	11010-2291	1	Filter ASM				

PROTOTYPE

*Order Parts from Kawasaki

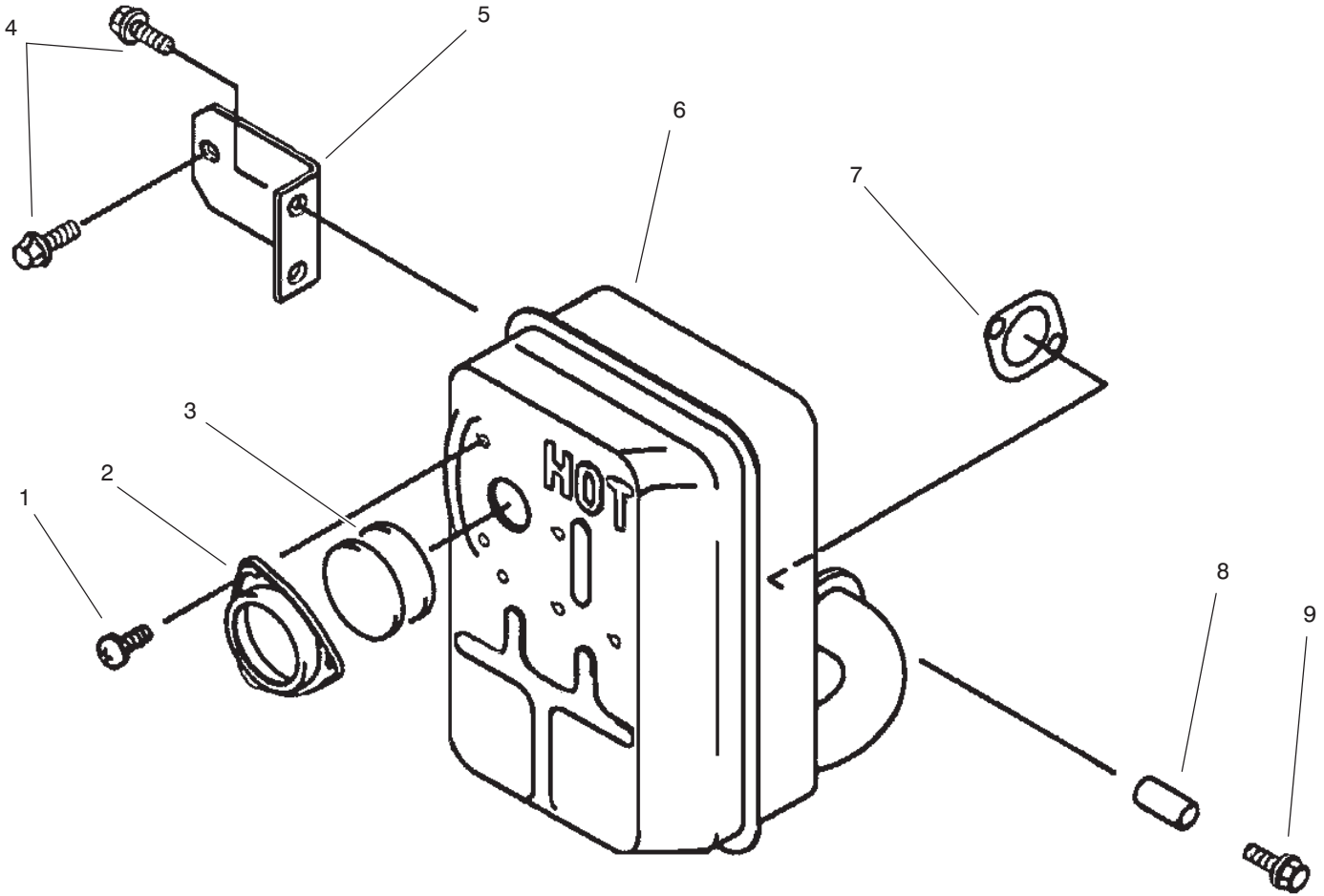


Starter Assembly – Kawasaki Model FB460V-LS08

Ref. No.	Part No.	Qty.	Description
1	90281-2267	1	Spring-Recoil
2	32099-2060	1	Case-Spring
3	32099-2239-yk	1	Case-Recoil Starter
4	130b0610	4	Bolt-Flange
5	59106-2060	1	Rope-Starter
6	46075-2059	1	Grip-Starter Rope
7	92022-2248	1	Washer
8	59101-2054	1	Reel-Recoil Starter
9	92081-2021	3	Spring
10	92081-2268	1	Spring-Return
11	13165-2073	3	Pawl-Recoil Starter
12	14020-2054	1	Retainer-Recoil
13	92001-2027	1	Bolt
14	49080-2144	1	Pulley-Starting
15	120p0620	3	Bolt-Socket
	49088-2412-yk	1	Starter Incl #1-5 8-14

Ref. No.	Part No.	Qty.	Description
PROTOTYPE			

*Order Parts from Kawasaki



Muffler Assembly – Kawasaki Model FB460V-LS08

Ref. No.	Part No.	Qty.	Description
1	92009-2166	2	Screw
2	11012-2165-9Y	1	Cap-Spark Arrestor
3	18077-2054	2	Arrestor-Spark
4	130b0812	4	Bolt-Flange
5	11044-2069-9Y	1	Bracket
6	49069-2190-9Y	1	Muffler ASM
7	11009-2527	1	Gasket-Muffler
8	92027-2081	1	Collar
9	130g0845	1	Bolt-Flange

Ref. No.	Part No.	Qty.	Description

PROTOTYPE

*Order Parts from Kawasaki



PROTOTYPE