



## Mid-Size Mower

### ProLine 15 HP Hydro

Model No. 30187—22000001 and Up

## Parts Catalog

### Ordering Replacement Parts

To order replacement parts, please supply: the part number, the quantity, and the description of each part desired.

### Understanding Reference Numbers

Each identified part in an illustration has a reference number. The reference number for a part also appears in the parts list, along with other information about the part.

This catalog uses two special reference number formats, one to indicate parts in a service assembly and another to indicate the quantity of a given part in an illustration.

### Service Assembly Reference Numbers

Parts in service assemblies have reference numbers in the form **a:b**. The **a** represents the reference number of the entire service assembly and the **b** represents a sequential number unique to each part within the service assembly.

For example, a wheel assembly might be identified by reference number **6**, the tire by **6:1**, the valve by **6:2**, and the wheel by **6:3**. When you order the assembly identified by reference number **6**, you receive all parts identified by reference numbers **6:1**, **6:2**, and **6:3**. However, you may also order any part individually.

Reference numbers of this type appear in illustrations and in part lists.

### Reference Numbers Indicating Quantity

In an illustration, if a reference number indicates more than one part, the reference number has the form **nX y**. The **n** represents the quantity of the part, the **X** is the multiplication symbol, and the **y** represents the reference number.

For example, in an illustration, the reference number **2X 37** means that two of the parts identified by reference number **37** are indicated.

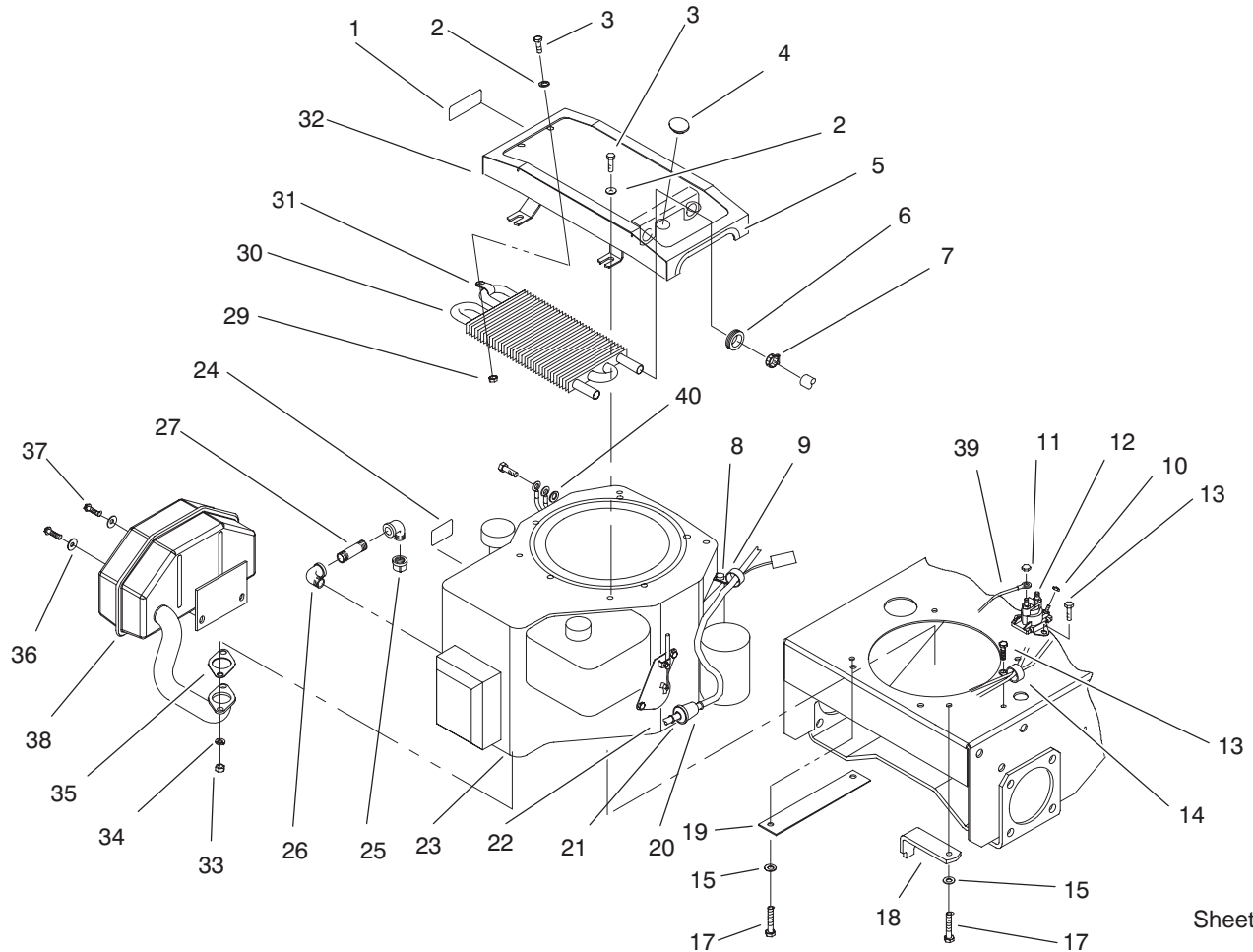
## Contents

Description	Page	Description	Page
Engine and Oil Cooler Assembly .....	3	Cylinder Head, Valve and Breather Assembly	
Pivot and Linkage Assembly .....	4	Kohler Model CV15T-41561 .....	18
Handle Assembly .....	5	Ignition and Electrical Assembly	
Control Panel Assembly .....	6	Kohler Model CV15T-41561 .....	19
Fuel Tank, Hydro Pump, and PTO Assembly ..	7	Blower Housing And Baffle Assembly	
Clutch/Brake Assembly No. 54-3200 .....	8	Kohler Model CV15T-41561 .....	20
Hydraulic Pump Assembly No. 95-1538 .....	9	Starter System Assembly	
Hydraulic and Drive System Assembly .....	10	Kohler Model CV15T-41561 .....	21
Hydraulic Motor Assembly No. 82-8230 .....	12	Fuel System Assembly	
Battery Assembly .....	13	Kohler Model CV15T-41561 .....	22
Electrical Schematic .....	14	Engine Control Assembly	
Hydraulic Schematic .....	15	Kohler Model CV15T-41561 .....	23
Crankcase Assembly		Air Cleaner Assembly	
Kohler Model CV15T-41561 .....	16	Kohler Model CV15T-41561 .....	24
Oil Pan and Lubrication Assembly		Exhaust Assembly	
Kohler Model CV15T-41561 .....	17	Kohler Model CV15T-41561 .....	25

## Part Description Abbreviations

Part descriptions in this catalog may include the following abbreviations.

Abbreviation	Meaning	Abbreviation	Meaning
AR .....	as required	HYD .....	hydraulic
ASM .....	assembly	INC .....	incorporated
CARR .....	carriage	LH .....	left hand
DEG .....	degrees	NI .....	nylon insert
FH .....	flat head	PPH .....	Phillips pan head
GA .....	gauge	PTH .....	Phillips truss head
HF .....	hex flange	PTO .....	power take off
HH .....	hex head	RH .....	right hand
HHF .....	hex head flange	SFH .....	slotted fillister head
HLH .....	hex lag head	SHH .....	slotted hex head
HJ .....	hex jam	SQH .....	square head
HOC .....	height-of-cut	SHWH .....	slotted hex washer head
HS .....	hex socket	SPH .....	slotted pan head
HSBH .....	hex socket button head	SRH .....	slotted round head
HSFH .....	hex socket flat head	STD .....	standard
HSH .....	hex socket head	TAP .....	self tapping
HWH .....	hex washer head	TTH .....	Torx truss head
HWHTF .....	hex washer head thread forming	WH .....	wing head

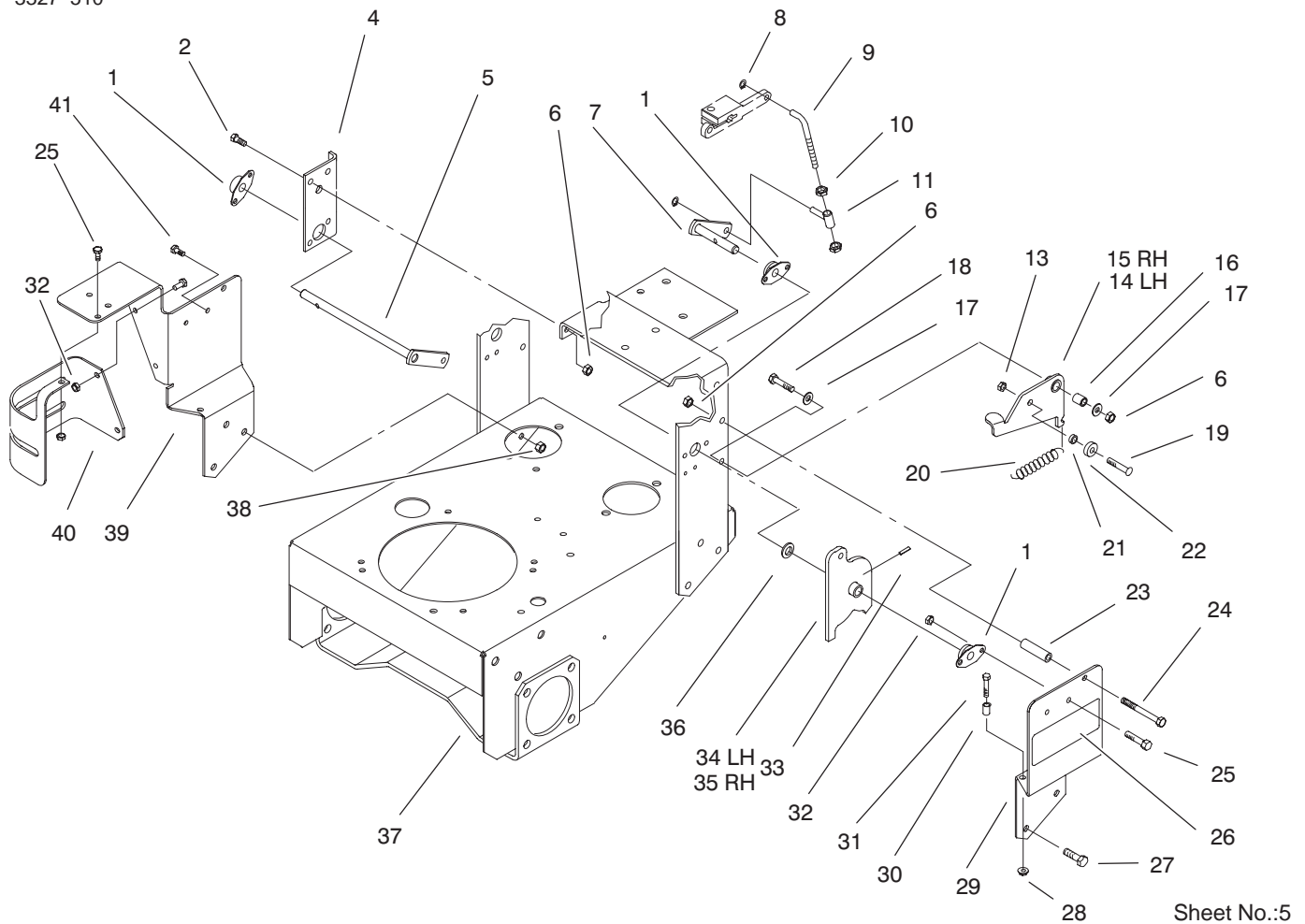


Sheet No.:4

## Engine and Oil Cooler Assembly

Ref. No.	Part No.	Qty.	Description	Ref. No.	Part No.	Qty.	Description
1	95-2814	1	Decal-Shut Off, Fuel	26	74-0950	2	Elbow-Street, 90°
2	3256-1	6	Washer-Flat	27	289-46	1	Nipple-Pipe
3	321-39	6	Screw-HH	29	3296-42	2	Nut-Lock, NI
4	2410-71	2	Plug-Plastic	30	100-6480	1	Cooler-Oil
5	29-0642	1	Trim-Mount, Cooler	31	2412-134	2	R-Clamp
6	240-9	2	Grommet	32	82-4500-03	1	Mount-Cooler
7	2412-136	2	Clamp-Hose	33	93-7034	2	Nut-Muffler
8	32144-19	1	Screw-Forming, Thread	34	3253-4	2	Washer-Lock
9	2412-106	1	Clamp-R	35	93-7032	1	Gasket-Exhaust
10	3219-14	2	Nut-Hex	36	3256-78	2	Washer-Flat
11	32149-1	2	Nut	37	93-7033	2	Screw-Muffler
12	28-4210	1	Solenoid	38	95-5517	1	Muffler
13	32144-4	3	Screw-HWH	39	54-3092	1	Wire ASM
14	2412-106	1	Clamp-R	40	3255-8	1	Washer-Lock/Ext
15	3256-23	4	Washer-Flat				
17	57-6380	4	Screw-HH				
18	51-4540-03	1	Retainer-Clutch				
19	94-5847-01	1	Cover-Pulley				
20	56-6360	1	Filter-Fuel				
21	2412-98	4	Clamp				
22	47-2964	1	Hose-Fuel				
★23		1	Engine-15 HP Kohler, Cv15t Ps-41561				
24	63-8440	1	Decal-Surface, Hot				
25	288-4	1	Cap-Pipe				

★ Not serviced separately

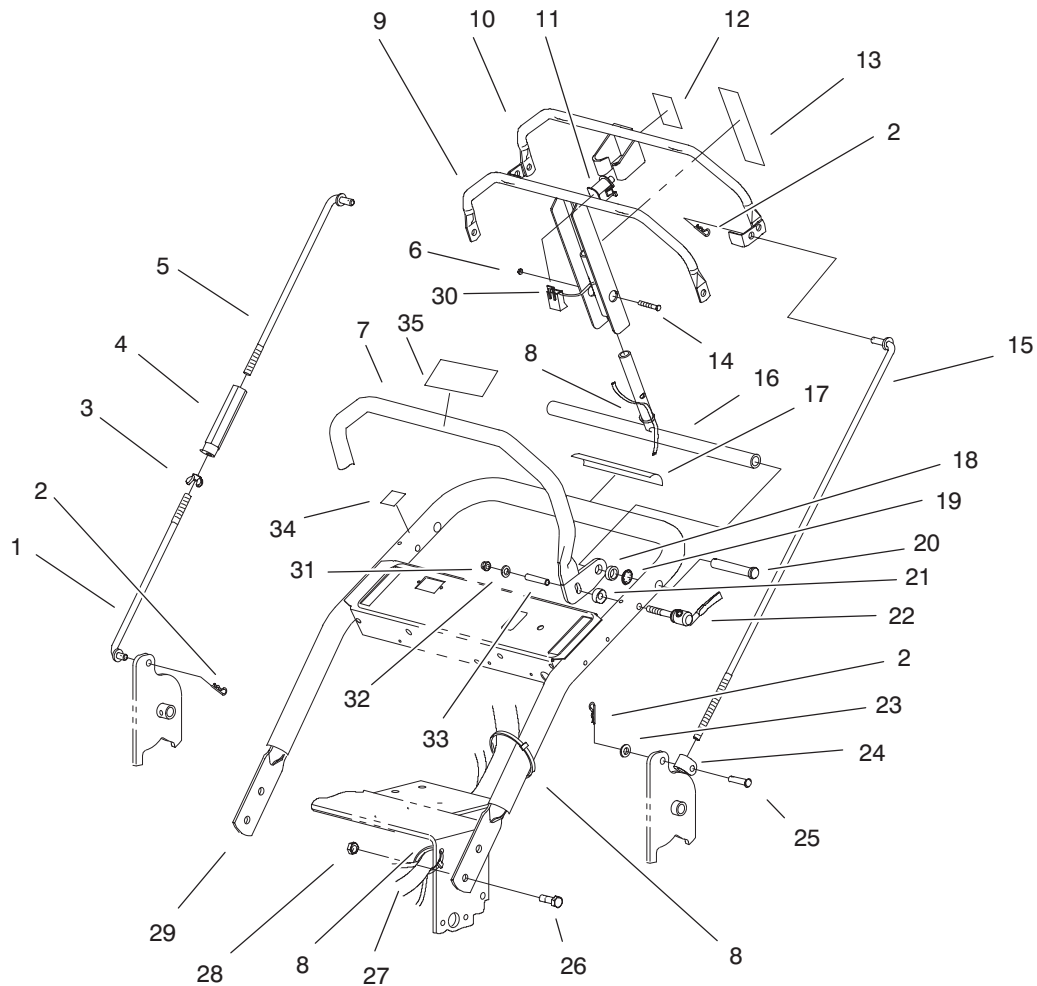


Sheet No.:5

## Pivot and Linkage Assembly

Ref. No.	Part No.	Qty.	Description
1	82-4130	4	Side Flange Bearing ASM
2	322-5	4	Screw-HH
4	82-4210-01	1	Bracket-Bushing
5	94-9059	1	Lever-Pivot, RH
6	3296-29	6	Nut-Lock, NI
7	94-9057	1	Lever-Pivot, LH
8	32151-3	4	Ring-Grip, Ext
9	94-9093	2	Rod-Link
10	3218-2	4	Nut-Jam
11	94-9062	2	Sleeve
13	3296-47	2	Nut-Lock, NI
14	82-4330-01	1	Arm-Detent, LH
15	82-4340-01	1	Arm-Detent, RH
16	82-4370	2	Bushing-Arm, Detent
17	3256-23	4	Washer-Flat
18	322-7	2	Screw-HH
19	3274-32	2	Screw-HSBH
20	82-4160	2	Spring-Detent
21	82-4240	2	Spacer-Bearing
22	251-259	2	Bearing
23	82-3920	2	Stop-Reverse
24	322-14	2	Screw-HH
25	321-3	9	Screw-HH
26	82-4600	2	Decal-Hydro
27	323-6	6	Screw-HH

Ref. No.	Part No.	Qty.	Description
28	32128-10	2	Locknut-Flange
29	95-1530-01	1	Bracket-Pivot, LH
30	95-1516	2	Spacer-Tubular
31	321-5	2	Screw-HH
32	3296-42	11	Nut-Lock, NI
33	32121-4	2	Pin-Roll
34	94-9054-01	1	Arm-Pivot, LH
35	94-9061-01	1	Arm-Pivot, RH
36	257-5	2	Washer-Thrust
37	94-9096-01	1	Frame
38	3296-39	6	Nut-Lock, NI
39	95-1522-01	1	Bracket-Pivot, RH
40	95-5868-01	1	Guard-Filter
41	321-3	2	Screw-HH

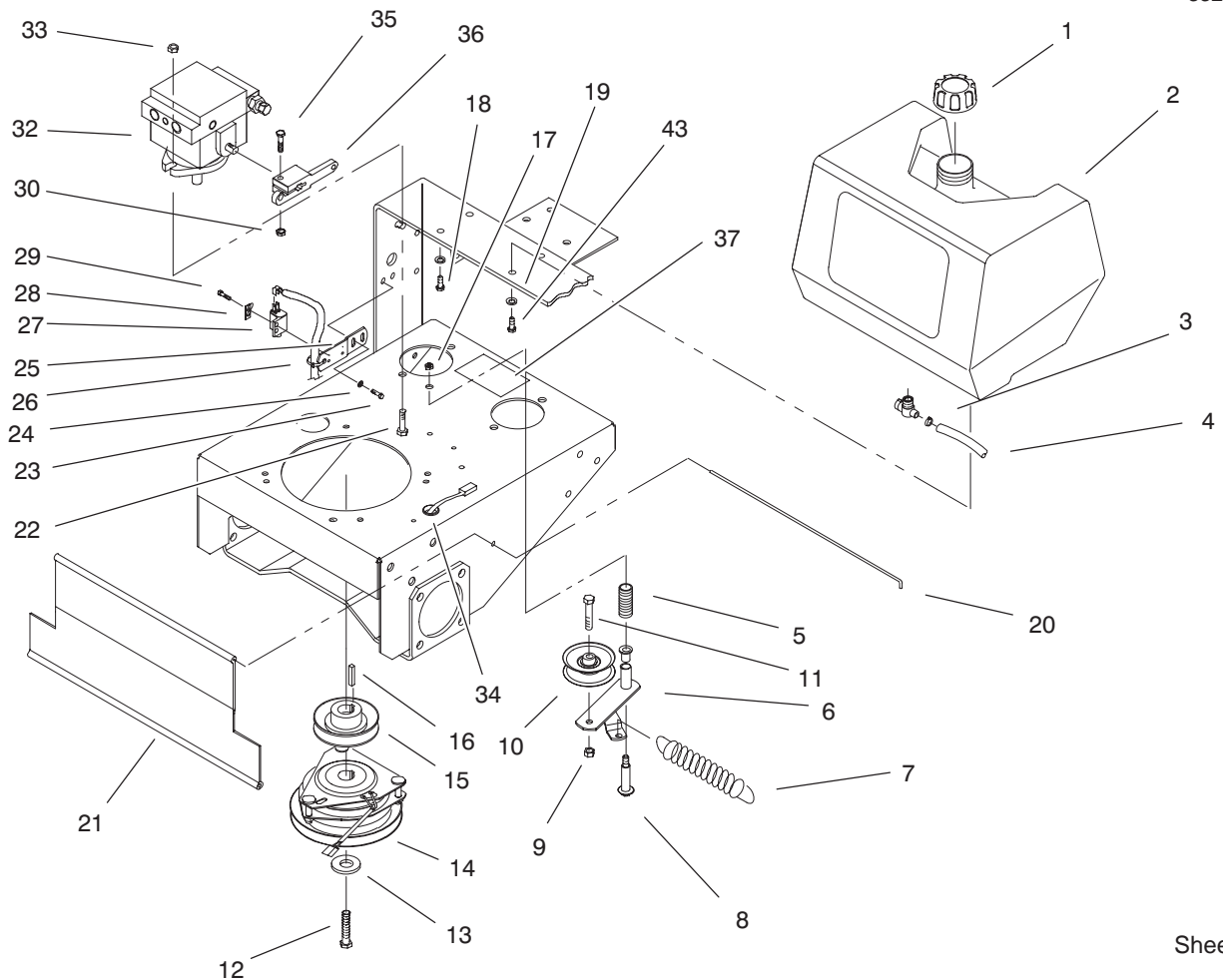


Sheet No.:6

## Handle Assembly

Ref. No.	Part No.	Qty.	Description	Ref. No.	Part No.	Qty.	Description
1	95-1506	1	Rod-Control, Lower	26	3234-11	4	Screw-HHF
2	3290-307	4	Pin-Hair	27	100-3276	1	Harness-Wire, Hydro
3	32103-3	1	Nut-Wing	28	32128-21	4	Nut-HF
4	95-1504	1	Turnbuckle	29	95-5856-03	1	Handle-Upper
5	95-1505	1	Rod-Control, Upper	30	218-595	1	Connector-Body
6	32153-1	1	Nut-Lock	31	33023-00	2	Nut-Lock
7	95-1536-03	1	Handle ASM	32	3290-436	2	Washer-Belleville
8	3290-378	3	Tie-Cable	33	95-5854	2	Sleeve
9	104-6380-03	1	Control Bar ASM	34	95-5862	1	Decal-Lock, Speed
10	104-6386-03	1	Bail ASM	35	98-4387	1	Decal-Protection, Ear
11	82-2190	1	Switch-Bail				
12	95-1523	1	Decal-Drive, Traction				
13	95-1524	1	Decal-T Bar				
14	32105-12	1	Screw				
15	94-9095	1	Rod-Control				
16	104-6383-03	1	Pivot ASM				
17	82-4590	1	Decal-Warning				
18	95-5855	2	Spacer				
19	32151-80	2	Push-On Circular				
20	283-55	2	Pin-Clevis				
21	82-3840	2	Spacer				
22	95-5853	2	Quick Release Lock ASM				
23	3256-23	1	Washer-Flat				
24	74-0521	1	Fitting-Rod				
25	283-6	1	Pin-Clevis				

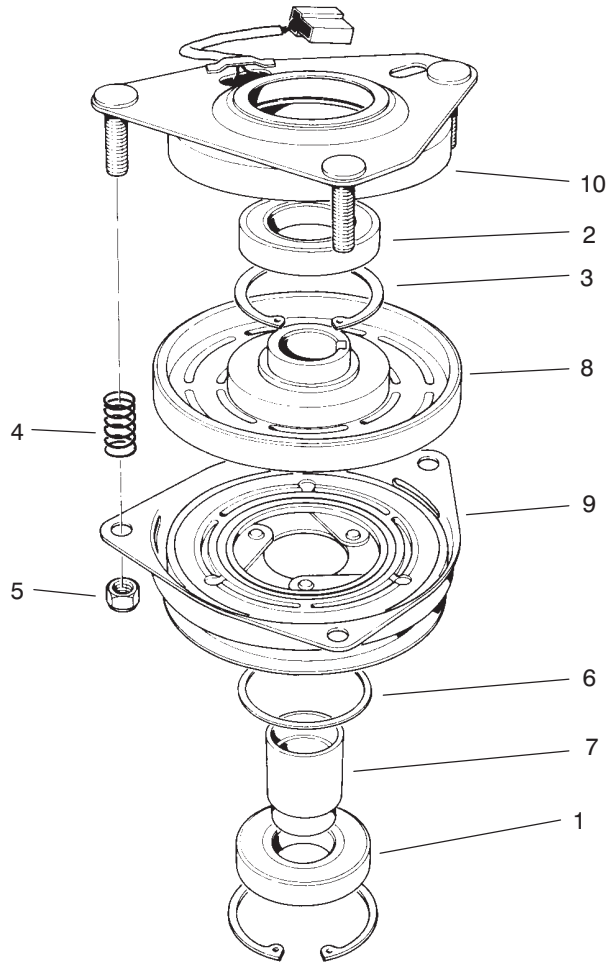




Sheet No.:8

## Fuel Tank, Hydro Pump, and PTO Assembly

Ref. No.	Part No.	Qty.	Description	Ref. No.	Part No.	Qty.	Description
1	55-3570	1	Gas Cap ASM	27	65-7410	2	Switch-Single Pole
2	95-2802	1	Tank-Fuel	28	82-4570	2	Plate-Switch
3	2412-98	2	Clamp	29	32144-1	4	Screw-Taptite
4	47-2982	1	Hose-Fuel	30	3296-29	2	Nut-Lock, NI
5	88-1880	1	Spring-Compression	32	95-1538	2	Hydraulic Pump ASM
6	86-4770	1	Idle Lever ASM	33	32128-42	4	Nut-HF
7	68-2190	1	Spring	34	237-124	1	Grommet
8	27-6230	1	Bolt-Wheel	35	322-7	2	Screw-HH
9	3296-39	1	Nut-Lock, NI	36	82-3790	2	Arm-Pump
10	62-4540	1	Pulley	37	95-1543	1	Decal-Adjustment, Valve
11	323-9	1	Screw-HH	43	322-4	2	Screw-HH
12	3212-9	1	Screw-HH				
13	112843	1	Washer				
14	54-3200	1	Clutch/Brake ASM				
15	44-5940	1	Pulley				
16	608006	1	Key				
17	3296-6	1	Nut-Lock, NI				
18	322-3	2	Screw-HH				
19	3253-4	4	Washer-Lock				
20	95-1529	1	Rod-Shield				
21	95-1526	1	Shield-Trailing				
22	324-5	4	Screw-HH				
23	32144-4	4	Screw-HWH				
24	3256-1	4	Washer-Flat				
25	82-4580-03	2	Bracket-Neutral				
26	3290-378	2	Tie-Cable				

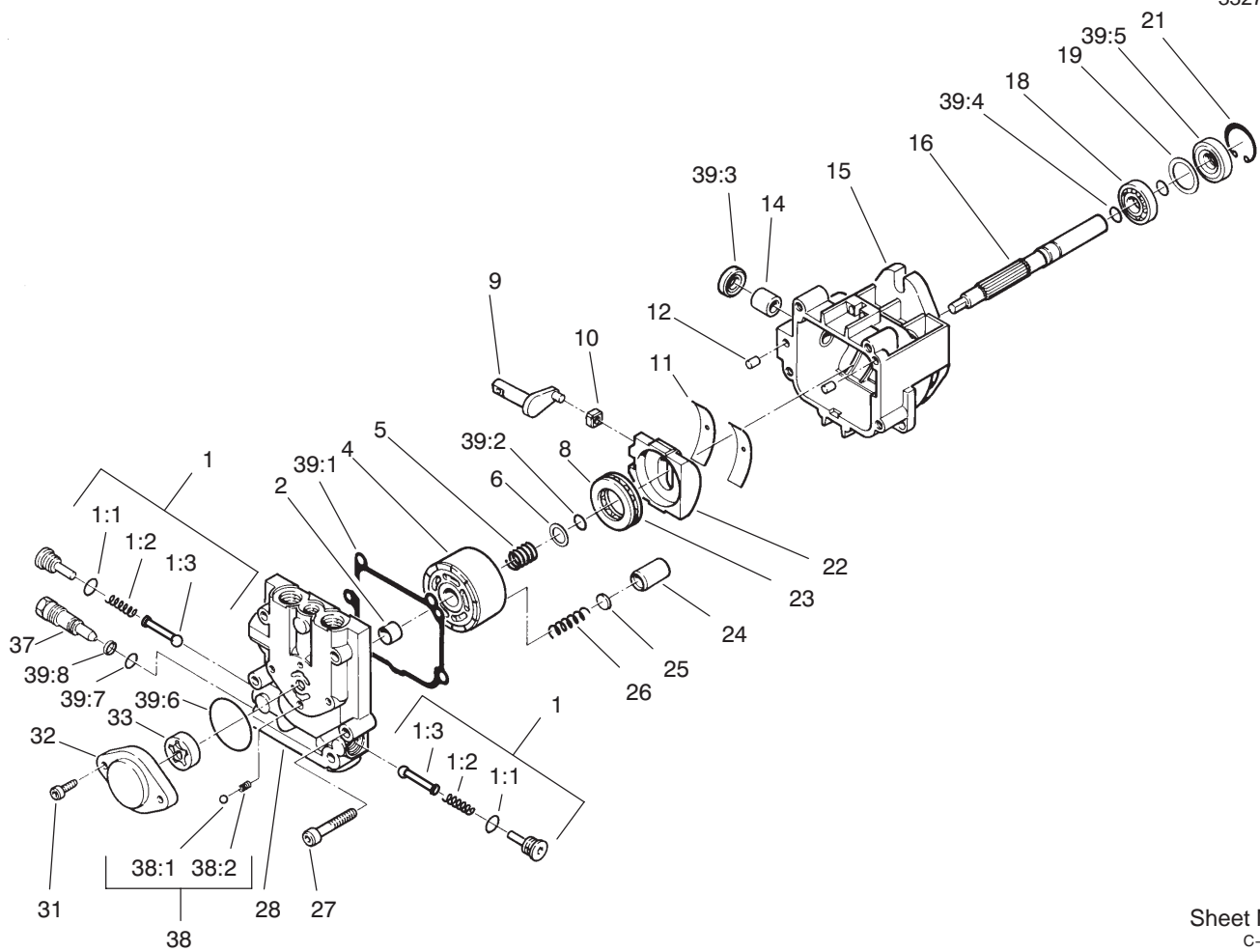


Sheet No.:A1  
C-3027

### Clutch/Brake Assembly No. 54-3200

Ref. No.	Part No.	Qty.	Description	Ref. No.	Part No.	Qty.	Description
1	251-291	1	Bearing-Pulley				
2	251-292	1	Bearing-Field				
3	44-8310	2	Ring-Retaining				
4	44-8320	3	Spring				
5	3296-6	3	Nut-Lock, NI				
6	44-8330	1	Spacer-Bearing, Pulley				
7	44-8340	1	Collar-Bearing				
8	44-8360	1	Field Coil, Rotor, Bearing ASM				
9	44-8370	1	Armature Pulley Bearing ASM				
10	54-0230	1	Field Bearing ASM				

PROTOTYPE



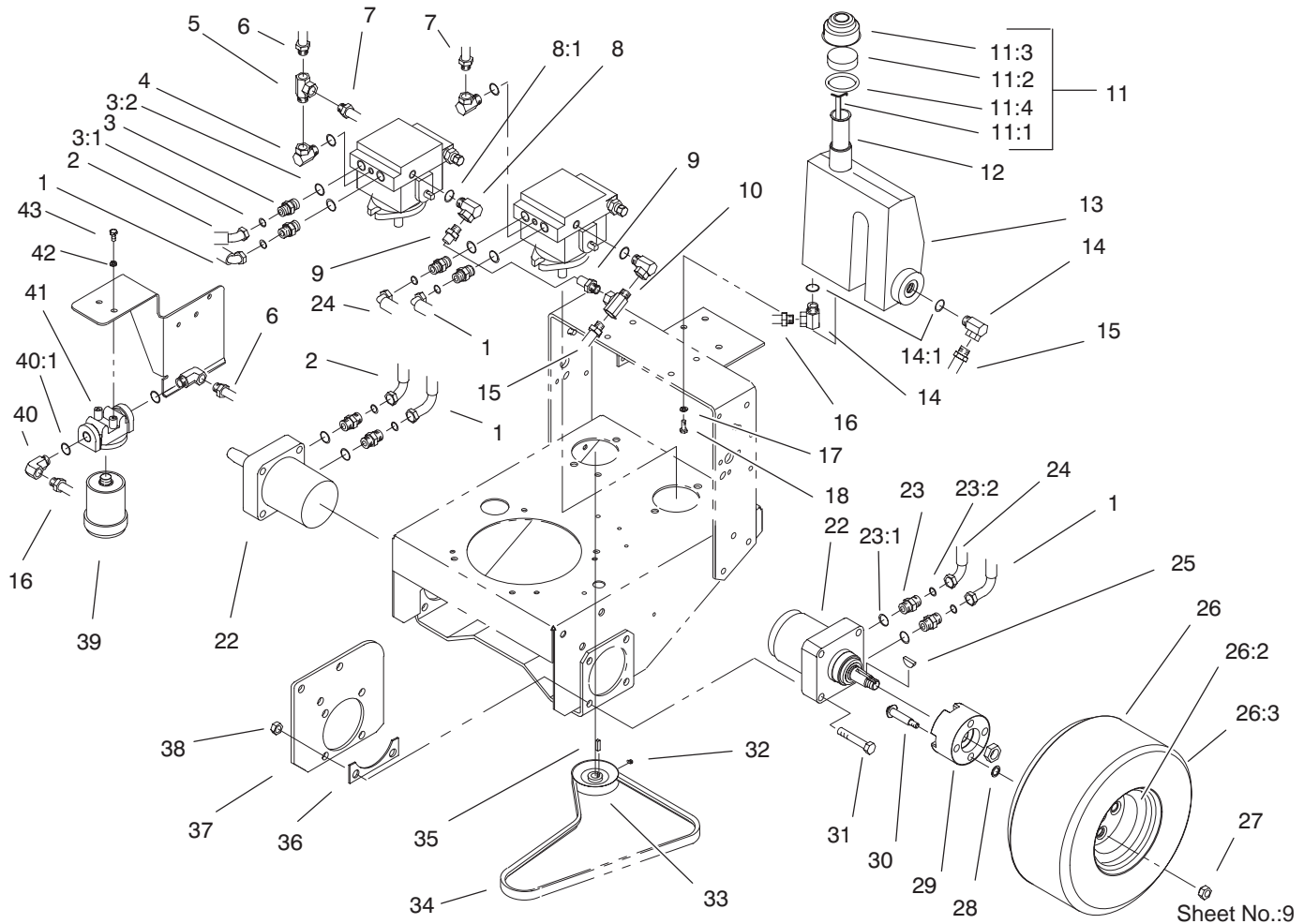
Sheet No.:A2  
C-3028

## Hydraulic Pump Assembly No. 95-1538

Ref. No.	Part No.	Qty.	Description	Ref. No.	Part No.	Qty.	Description
1	80-6120	2	Check Valve Kit	☆31		2	Screw
☆1:1		1	O-Ring	☆32		1	Housing-Charge Pump
☆1:2		1	Spring	☆33		1	Gerotor ASM
☆1:3		1	Poppet	☆37		1	Valve-Bypass
☆2		1	Journal-Bearing	38	80-6110	1	Charge Relief Valve Kit
☆4		1	Cylinder Block	☆38:1		1	Ball
☆5		1	Spring	☆38:2		1	Spring
☆6		1	Washer	*39	80-6130	1	Kit-Seal, Overhaul
☆8		1	Plate-Thrust	☆39:1		1	Gasket-End Cap
☆9		1	Arm-Trunion	☆39:2		1	Ring-Retaining
☆10		1	Guide-Slot	☆39:3		1	Seal-Lip
☆11		2	Cradle-Bearing	☆39:4		2	Ring-Retaining
☆12		2	Pin	☆39:5		1	Seal-Lip
☆14		1	Journal-Bearing	☆39:6		1	O-Ring
☆15		1	Housing	☆39:7		1	O-Ring
☆16		1	Shaft	☆39:8		1	Ring-Back Up
☆18		1	Bearing-Ball				
☆19		1	Spacer				
☆21		1	Ring-Retaining				
☆22		1	Swashplate ASM				
☆23		1	Roller-Thrust				
☆24		5	Piston				
☆25		5	Washer-Thrust				
☆26		5	Spring-Piston				
☆27		4	Screw				
☆28		1	End Cap				

☆ Not serviced separately

\* Not illustrated



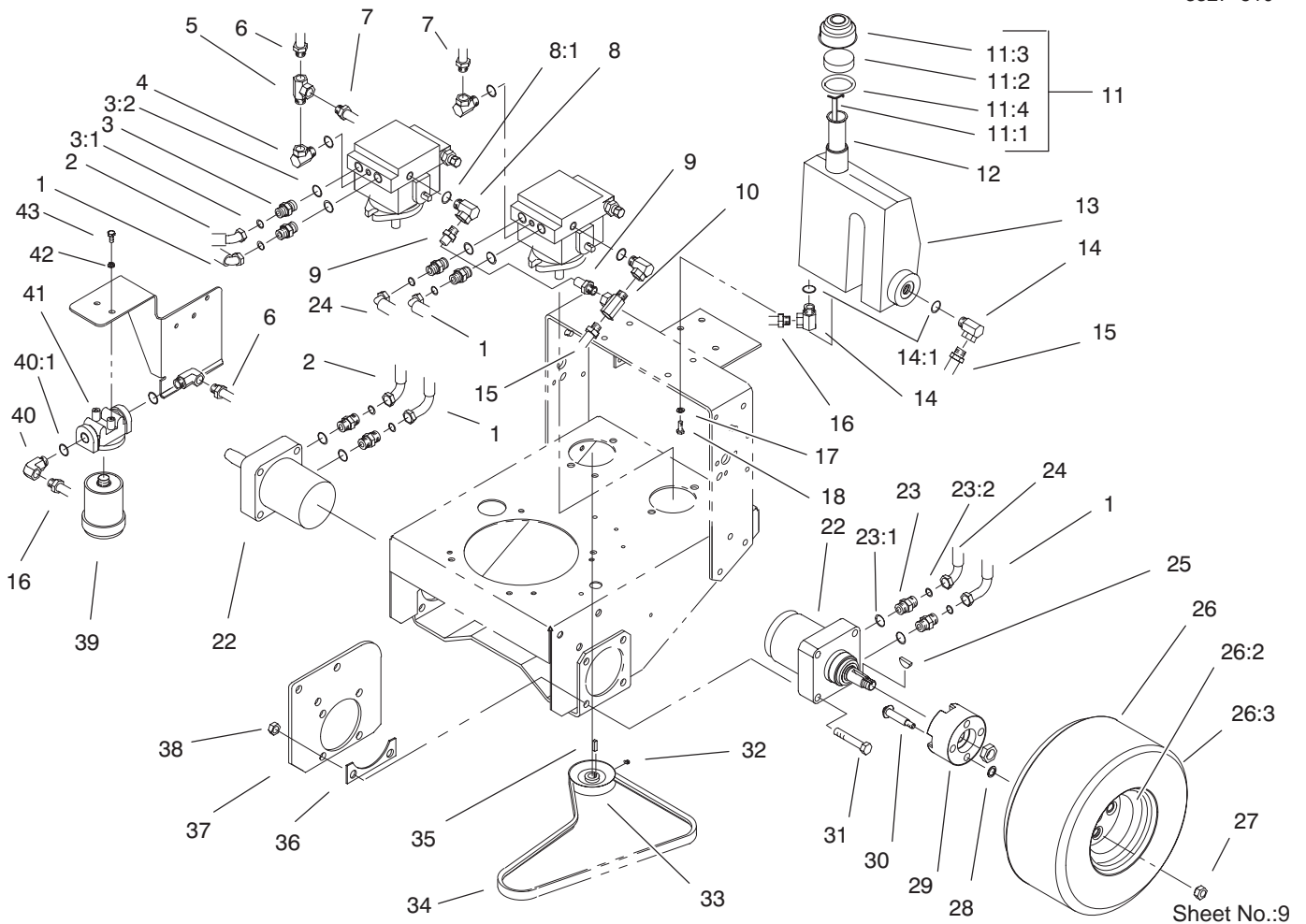
## Hydraulic and Drive System Assembly

Ref. No.	Part No.	Qty.	Description
1	82-4550	2	Hydraulic Hose ASM
2	82-4540	1	Hydraulic Hose ASM
3	340-4	4	Adapter
3:1	237-30	1	O-Ring
3:2	237-79	1	O-Ring
4	354-116	2	Female Pipe Swivel
5	2815-16	1	Fitting-HYD, Tee
6	95-5880	1	Hydraulic Hose ASM
7	82-4170	1	Hydraulic Hose ASM
8	354-115	2	Fitting-HYD, 90°
8:1	237-42	1	O-Ring
9	82-4201	1	Hydraulic Hose ASM
10	2815-15	1	Fitting-HYD, Tee
11	76-0200	1	Oil Cap ASM
11:1	76-0240	1	Dipstick
11:2	76-0220	1	Foam-Filter, Oil Cap
11:3	76-0190	1	Cap-Oil
11:4	237-71	1	O-Ring
12	29-0590	1	Screen-Filler
13	95-1532	1	Reservoir-Oil
14	354-118	2	Fitting-HYD, 90°
14:1	237-79	1	O-Ring
15	82-4194	2	Hydraulic Hose ASM
16	82-4200	1	Hydraulic Hose ASM
17	3253-4	3	Washer-Lock
18	322-3	3	Screw-HH

Ref. No.	Part No.	Qty.	Description
22	82-8230	2	Wheel Motor ASM
23	340-6	4	Fitting-HYD, Straight
23:1	237-30	1	O-Ring
23:2	237-80	1	O-Ring
24	82-4560	1	Hydraulic Hose ASM
25	3257-8	2	Key-Woodruff
☆26		2	Wheel/Tire ASM
*26:1	232-27	1	Stem-Valve
26:2	242-87	1	Rim-Wheel
26:3	231-117	1	Tire
27	242-50	8	Nut-Lug
28	32112-17	8	Pushnut
29	82-3830	2	Hub-Wheel
30	3213-8	8	Screw-HH
31	325-11	8	Screw-HH
32	3241-5	4	Screw-Set
33	95-1528	2	Pulley-Pump
34	82-4110	1	V-Belt
35	80-6090	2	Key-Pump
36	86-4740-01	2	Spacer-Frame
37	86-4730-01	2	Plate-Frame
38	3296-23	8	Nut-Lock, NI
39	67-8110	2	Cartridge-Filter, Oil
40	354-117	2	Fitting-HYD, 90°
40:1	237-79	1	O-Ring
41	86-9080	1	Head-Filter

☆ Not serviced separately

\* Not illustrated

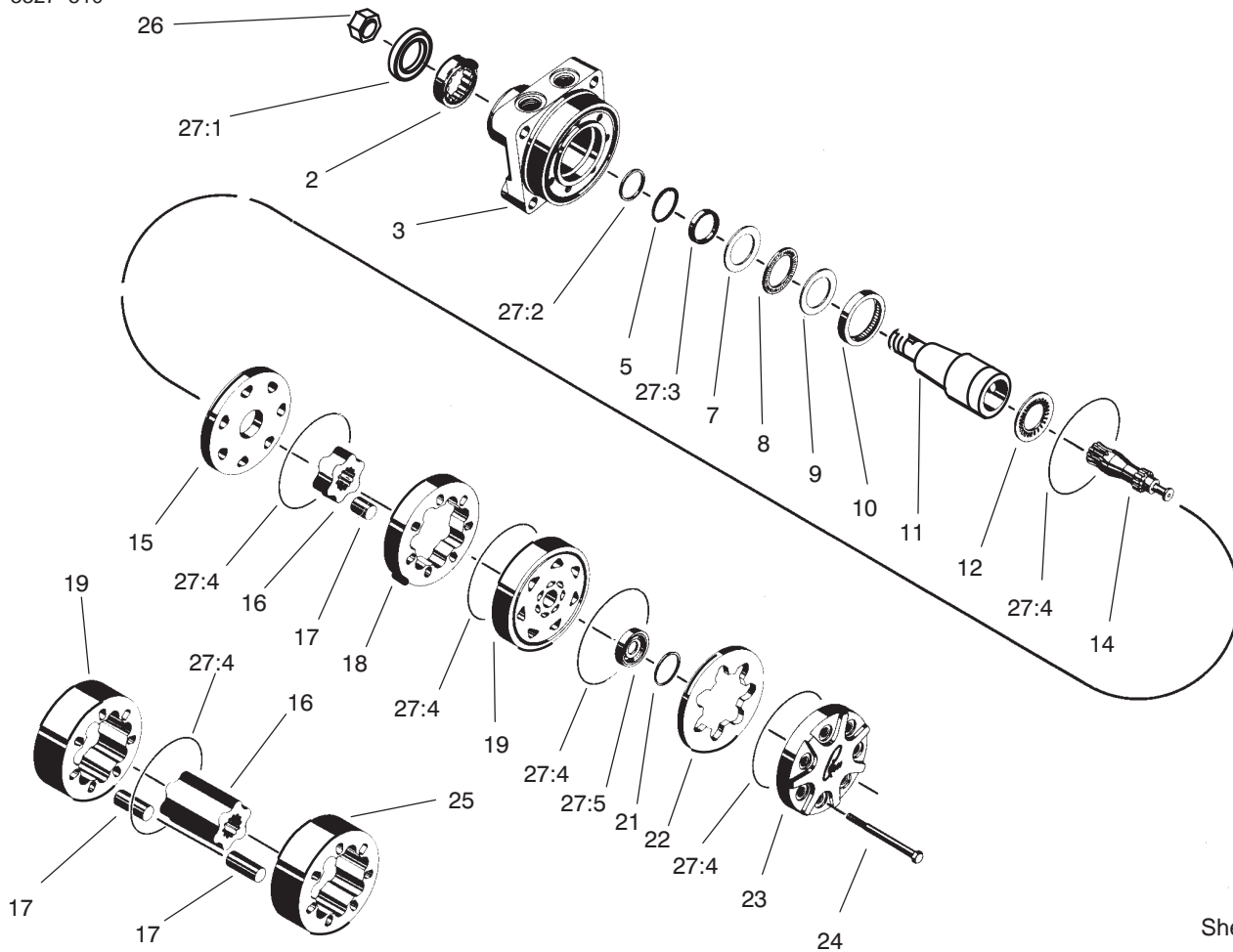


Sheet No.:9

### Hydraulic and Drive System Assembly (Continued)

Ref. No.	Part No.	Qty.	Description
42	3253-3	2	Washer-Lock
43	321-3	2	Screw-HH

Ref. No.	Part No.	Qty.	Description
<p style="font-size: 48px; opacity: 0.5; transform: rotate(-1deg);">PROTOTYPE</p>			



## Hydraulic Motor Assembly No. 82-8230

Ref. No.	Part No.	Qty.	Description
☆2		1	Bearing
☆3		1	Housing
☆5		1	Washer-Back Up
☆7		1	Washer-Thrust
☆8		1	Bearing-Thrust
☆9		1	Washer-Thrust
☆10		1	Bearing-Inner
☆11		1	Coupling-Shaft
☆12		1	Bearing-Thrust
☆14		1	Link-Drive
☆15		1	Plate-Wear
☆16		1	Rotor
☆17		7	Vane
☆18		1	Stator
☆19		1	Manifold
☆21		1	Seal-Commutator
☆22		1	Commutator-Ring
☆23		1	Cover-End
☆24		1	Bolt-Special
☆25		1	Stator-Half
26	85-7310	1	Nut-Motor, Wheel
27	85-7320	1	Kit-Seal
☆27:1		1	Seal
☆27:2		1	Washer-Back Up
☆27:3		1	Seal

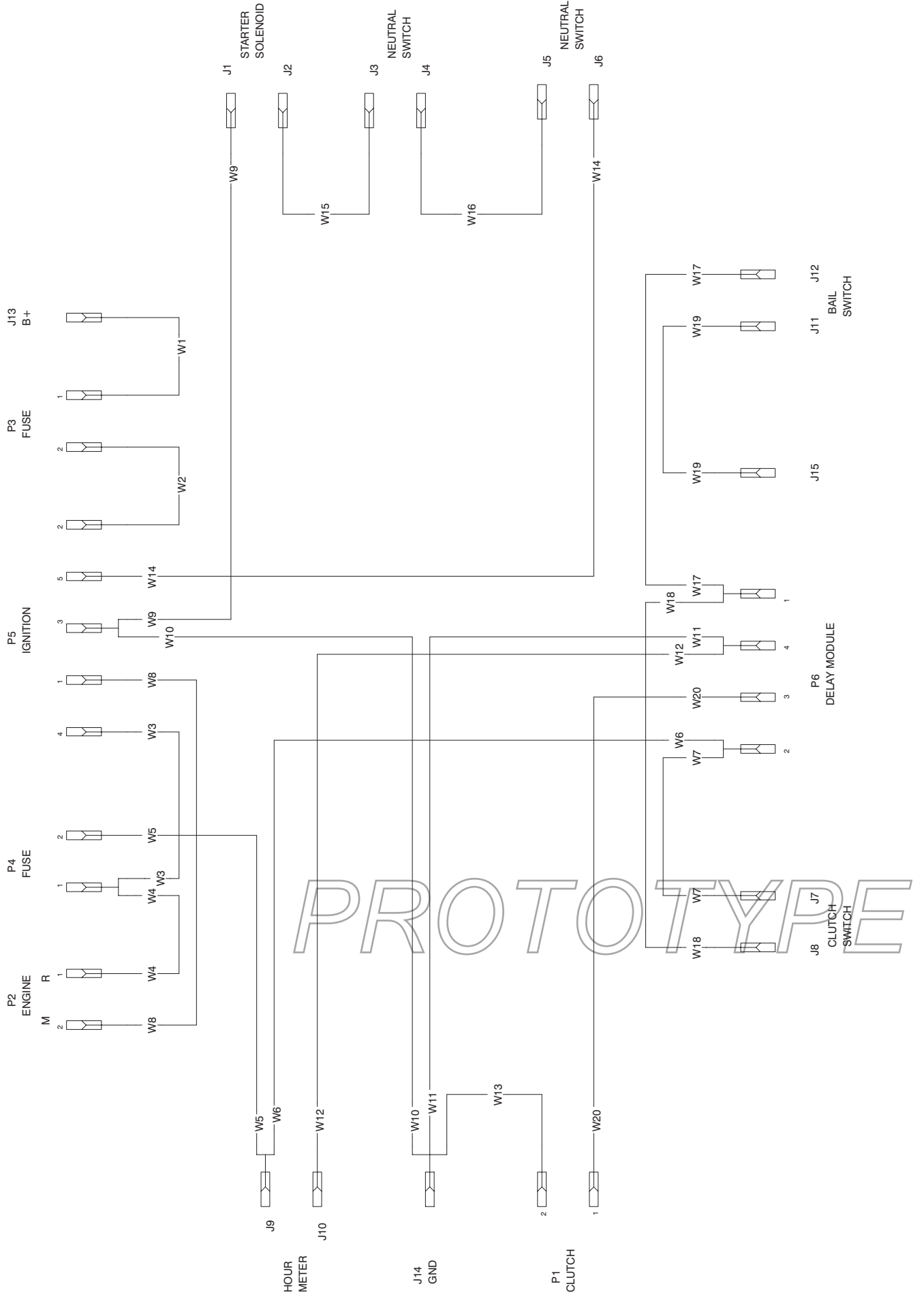
Ref. No.	Part No.	Qty.	Description
☆27:4		5	O-Ring
☆27:5		1	Commutator

PROTOTYPE

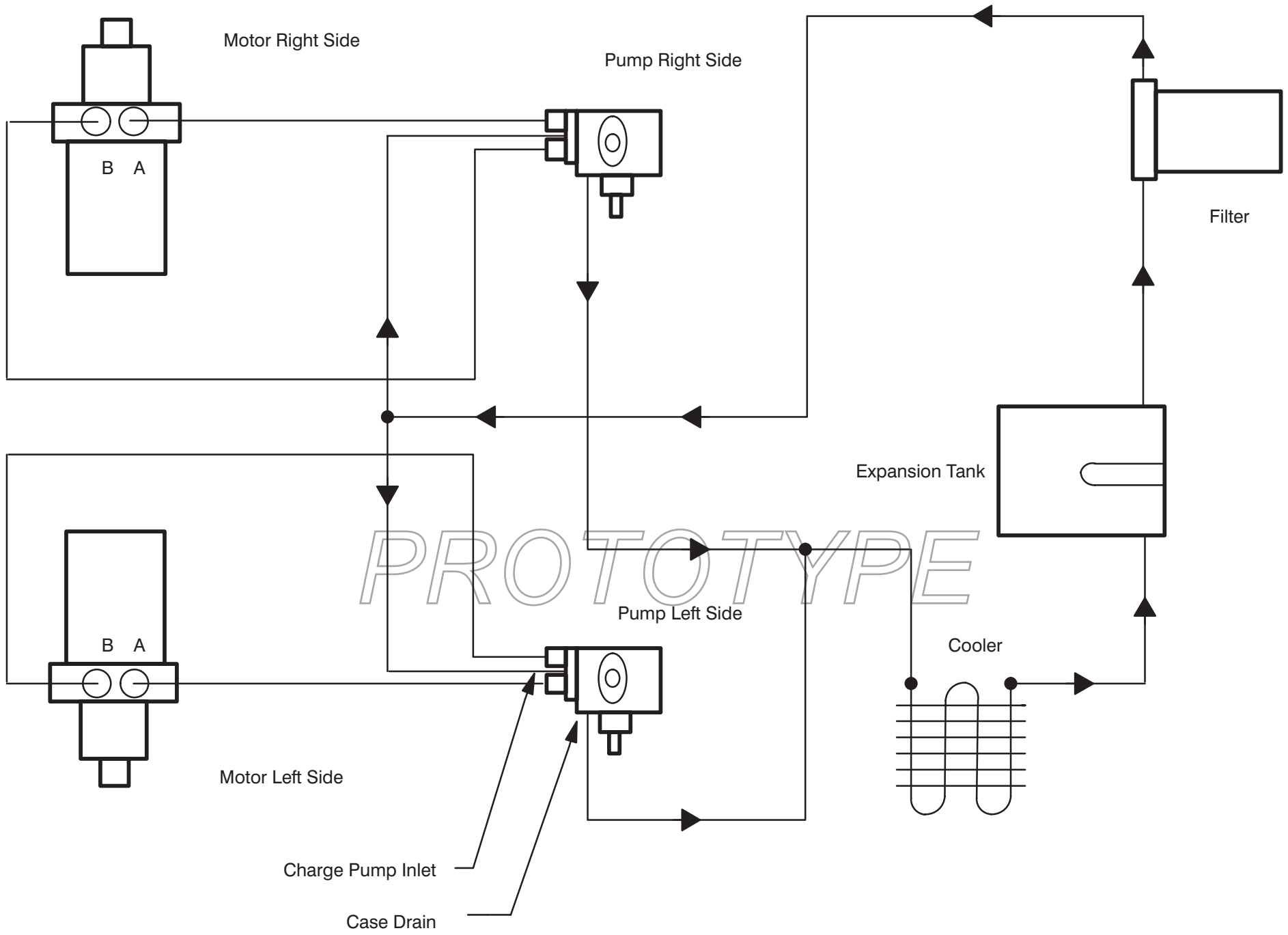
☆ Not serviced separately



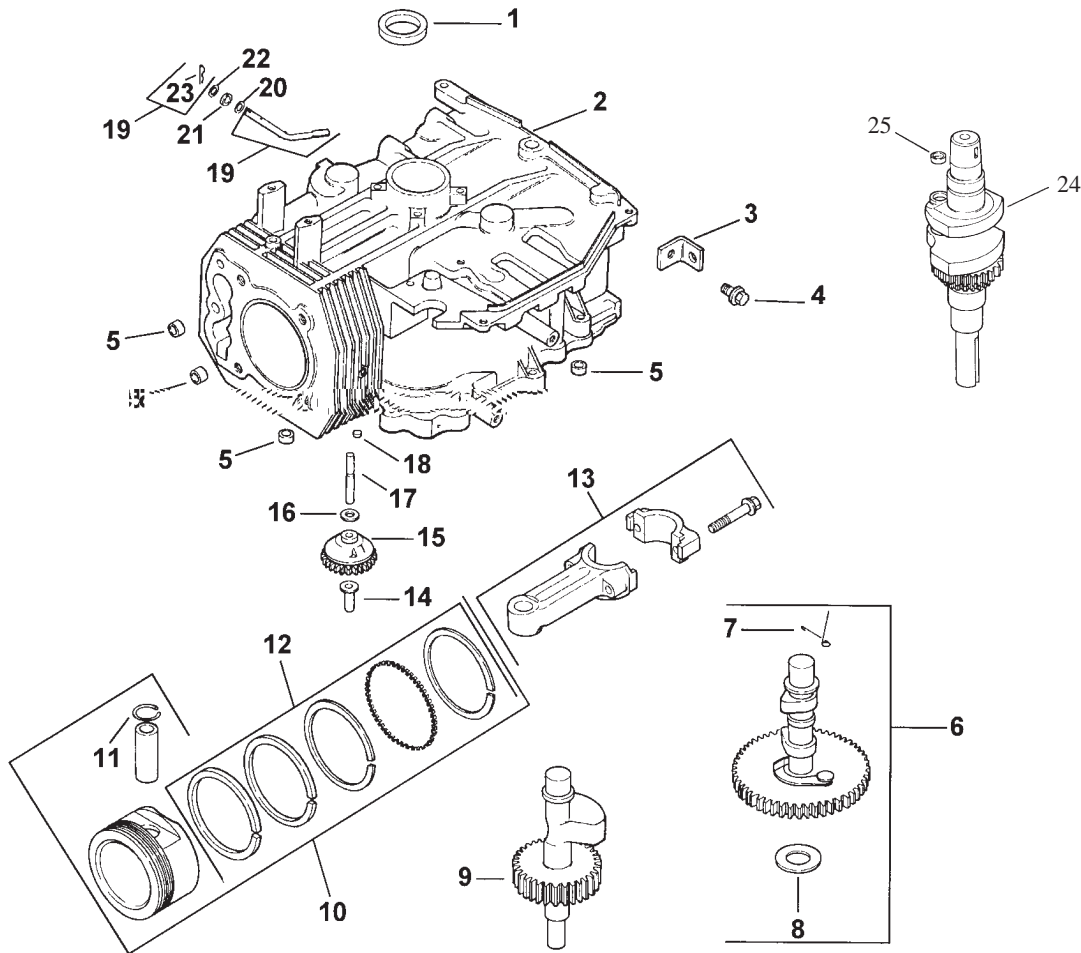
# Electrical Schematic



PROTOTYPE



**Hydraulic Schematic**



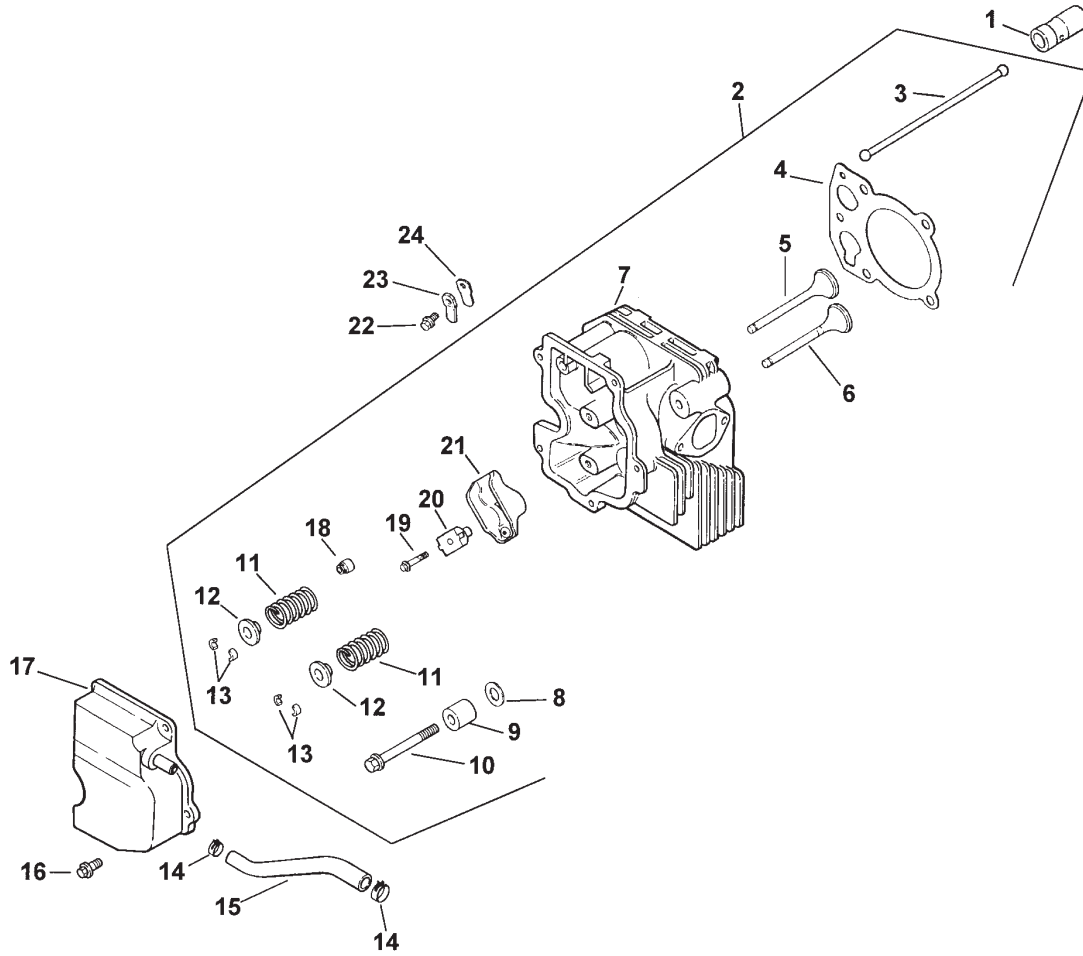
## Crankcase Assembly Kohler Model CV15T-41561

Ref. No.	Part No.	Qty.	Description
1	12 032 03	1	Seal-Crankshaft
2	12 522 18	1	Shortblock
3	12 445 02	1	Strap-Lifting
4	M-0839025	1	Screw M8x1.25x22
5	12 380 17	4	Dowel-Locating
6	12 755 49	1	Kit-Camshaft INC 7-8
7	12 089 31	1	Spring-Actuating
8	12 422 07	A/R	Shim-Camshaft A/R
8	12 422 08	1	Shim-Camshaft A/R
8	12 422 09	A/R	Shim-Camshaft A/R
8	12 422 10	A/R	Shim-Camshaft A/R
8	12 422 11	A/R	Shim-Camshaft A/R
8	12 422 12	A/R	Shim-Camshaft A/R
8	12 422 13	A/R	Shim-Camshaft A/R
9	12 144 27	1	Shaft-Balance
10	12 847 07	1	Set Piston w/Ring STD
10	12 847 08	1	Set-Piston w/Ring .25
10	12 847 09	1	Set-Piston w/Ring .50
11	12 018 02	2	Retainer-Piston Pin
12	12 108 07	1	Ring Set STD
12	12 108 08	1	Ring Set .25
12	12 108 09	1	Ring Set .50
13	12 067 05	1	Rod Connecting STD

Ref. No.	Part No.	Qty.	Description
13	12 067 06	1	Rod Connecting .25
14	12 380 01	1	Pin-Governor Regulating
15	12 043 05	1	Gear-Governor ASM
16	M-0631005	1	Washer-Governor
17	12 144 02	1	Shaft-Governor Gear
18	52 139 09	1	Plug-Cup
19	12 755 64	1	Kit - Shaft-Governor Cross (Incl. Ref.#23)
20	X-25-102	1	Washer-Flat
21	12 032 01	1	Seal-Governor Shaft
22	M-0631015	1	Washer-Governor Shaft
23	12 154 05	1	Clip - Hitch Pin
24	12 014 30	1	Crankshaft ASM
25	12 139 01	1	Plug-Cup
*	12 030 02	1	Bearing - Crankshaft 0.25
*	12 030 03	1	Bearing - Crankshaft 0.50
*	12 755 82	1	Set - Gasket

\* Not Illustrated  
Obtain Parts From Kohler





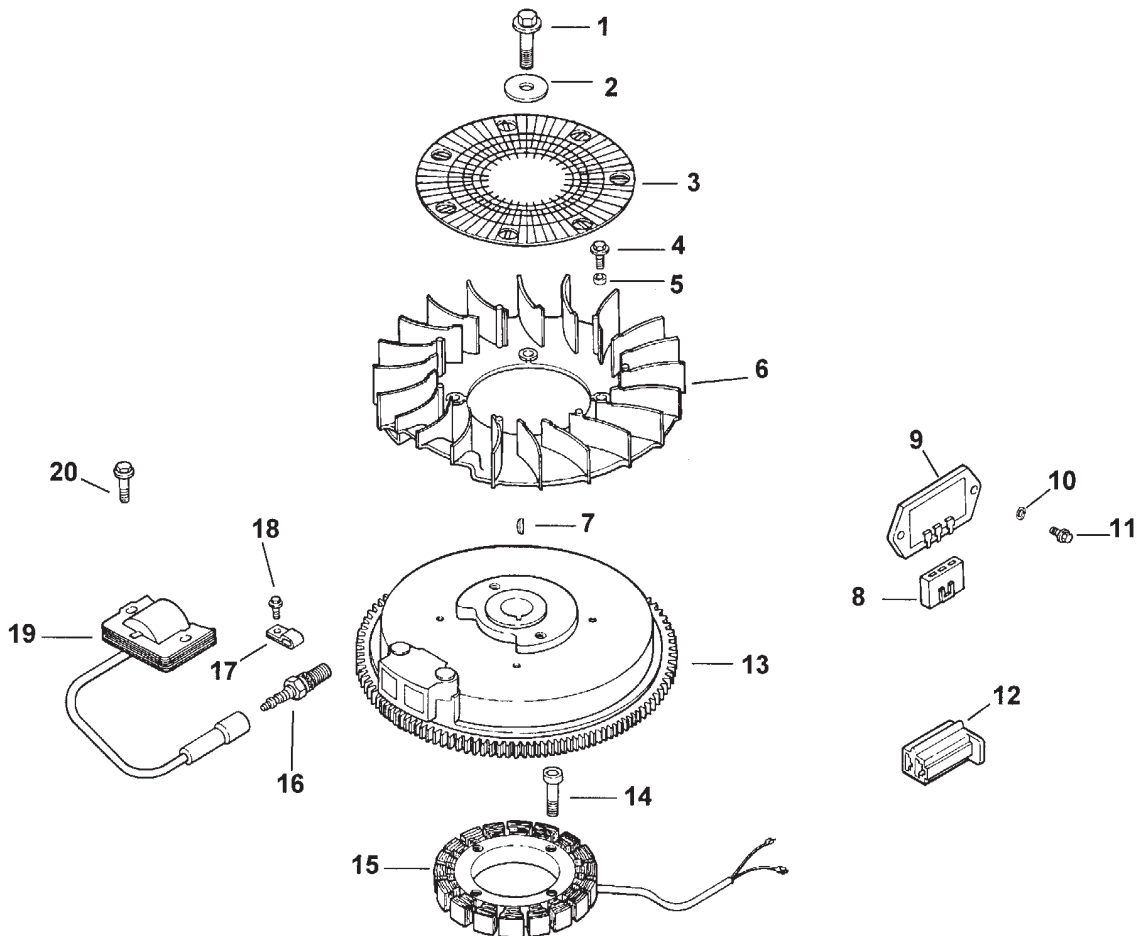
## Cylinder Head, Valve and Breather Assembly Kohler Model CV15T-41561

Ref. No.	Part No.	Qty.	Description
1	12 351 02	2	Lifter-Valve
2	12 755 81	1	Kit-Cylinder Head
3	12 411 01	2	Rod-Push
4	12 041 10	1	Gasket-Cylinder Head
5	12 017 01	1	Valve-Intake STD
5	12 017 02	1	Valve-Intake .25
6	12 016 01	1	Valve-Exhaust STD
6	12 016 02	1	Valve-Exhaust .25
7	12 318 19	1	Head - Cylinder
8	12 468 05	1	Washer-Flat
9	12 112 13	1	Spacer-Head Bolt Exhaust
10	12 086 15	5	Screw M10x1.5x80
11	12 089 01	1	Spring-Valve
12	12 173 01	2	Cap-Valve Spring
13	12 755 03	2	Kit-Retainer
14	X-426-9	2	Clamp-Hose
15	12 326 03	1	Hose-Breather
16	M-0645020	3	Screw-HH M6x1.0x20
17	12 096 07	1	Cover-Valve w/Nipple
18	24 023 05	1	Seal-Valve Spring
19	M-0640034	2	Screw M6x1.0x34
20	12 599 03	2	Pivot - Rocker Arm
21	25 186 01	2	Arm-Rocker

Ref. No.	Part No.	Qty.	Description
22	M-0545010	1	Screw M5x0.8x10
23	12 018 01	1	Retainer-Breather Reed
24	12 402 02	1	Reed-Breather

PROTOTYPE

Obtain Parts From Kohler



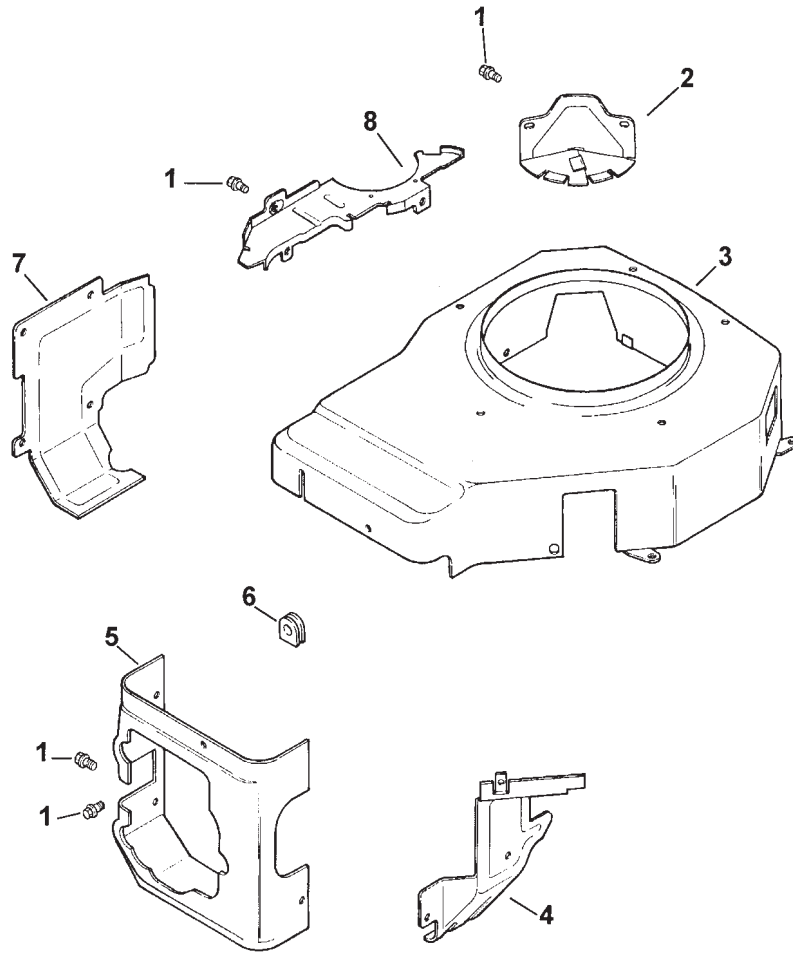
## Ignition and Electrical Assembly Kohler Model CV15T-41561

Ref. No.	Part No.	Qty.	Description
1	12 086 14	1	Screw-Flywheel Mounting
2	12 486 03	1	Washer-Flat
3	12 162 03	1	Screen-Grass
4	M-0639016	4	Screw M6x1.0x16
5	12 112 01	4	Spacer-Fan
6	12 157 02	1	Fan
7	X-42-15	1	Key
8	236602	1	Connector-Regulator
9	12 403 01	1	Rectifier-Unregulated
10	X-22-11	2	Washer - Lock
11	M-0639016	2	Screw M6x1.0x16
12	41 155 03	1	Connector
13	12 025 33	1	Flywheel ASM
14	M-0548025	4	Screw M5x0.8x25
15	54 755 09	1	Kit - Stator-15 Amp (Incl.Bracket P/N #24 126 71)
16	12 132 02	1	Spark Plug
17	X-728-1	2	Clip-Kill Lead
18	M-0545010	1	Screw M5x0.8x10
19	12 584 02	1	Module-Ignition
20	M-0545020	2	Screw M5x0.8x20
*	X-25-5	1	Washer

Ref. No.	Part No.	Qty.	Description
	12 518 01	1	Lead-White
*	25 518 05	1	Lead-Black
*	25 518 29	1	Lead-Black
*	24 126 71	1	Bracket - Stator Wire

PROTOTYPE

\* Not illustrated  
Obtain Parts From Kohler

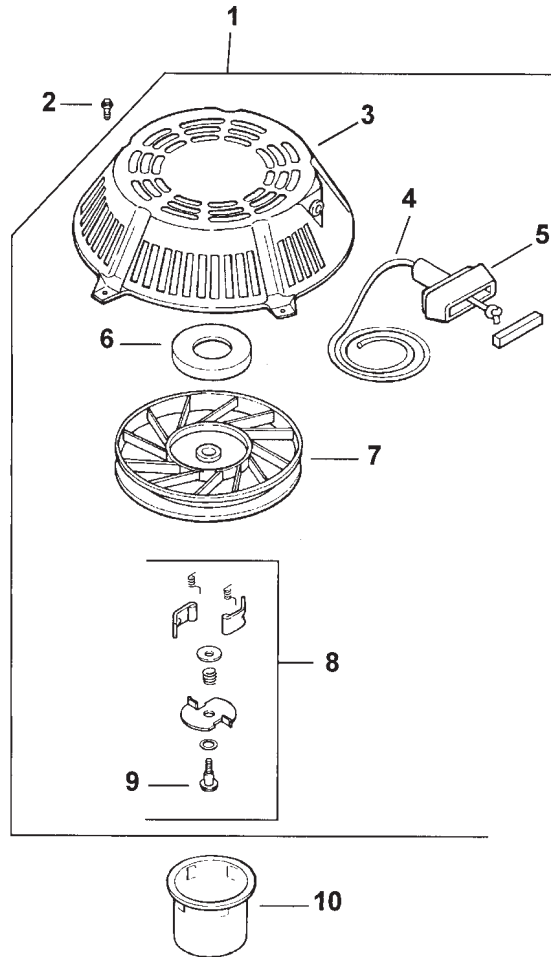


## Blower Housing and Baffle Assembly Kohler Model CV15T-41561

Ref. No.	Part No.	Qty.	Description	Ref. No.	Part No.	Qty.	Description
1	M-0545010	15	Screw M5x0.8x10				
2	12 096 29	1	Cover-Starter				
3	12 027 37	1	Housing-Blower				
4	12 063 05	1	Baffle-Carburetor				
5	12 063 08	1	Baffle-Cyl. Head				
6	12 313 03	1	Grommet-Blower				
7	12 063 01	1	Baffle-Cylinder				
8	12 146 07	1	Plate-Blower Housing				
*	12 133 67	1	Decal-Horsepower				

PROTOTYPE

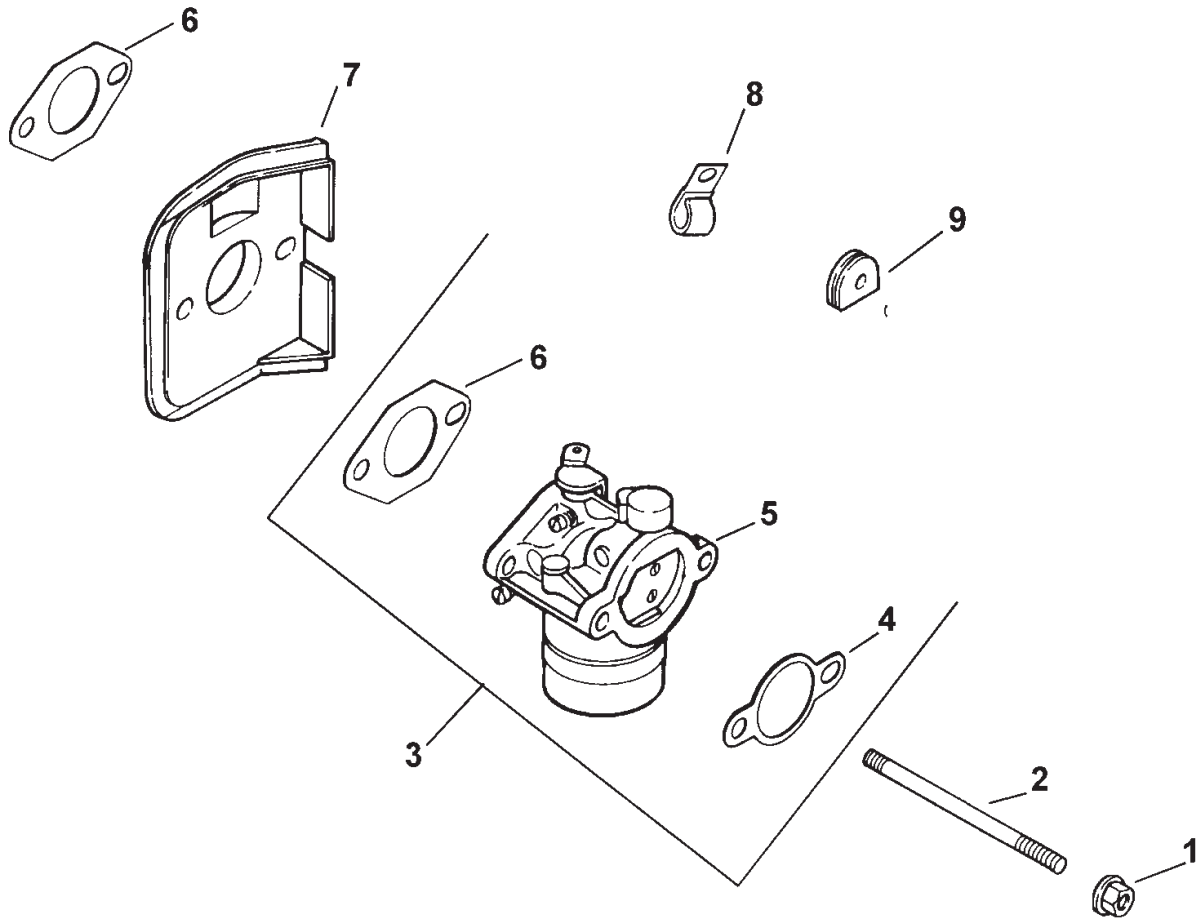
\* Not illustrated  
Obtain Parts From Kohler



## Starter System Assembly Kohler Model CV15T-41561

Ref. No.	Part No.	Qty.	Description		Ref. No.	Part No.	Qty.	Description
1	12 165 01	1	Starter Incl 3-9					
2	M-0545010	5	Screw M5x0.8x10					
3	12 081 01	1	Housing-Starter					
4	12 160 01	1	Rope-Starter					
5	25 166 01	1	Handle-Recoil					
6	12 089 06	1	Spring & Keeper					
7	12 093 01	1	Pulley					
8	12 757 06	1	Kit-Dog Replacement (incl. Ref.#9)					
9	41 086 09	1	Screw-Posidrive					
10	15 109 01	1	Cup-Driver					
*	12 113 07	1	Decal-Starting					

\* Not illustrated  
Obtain Parts From Kohler



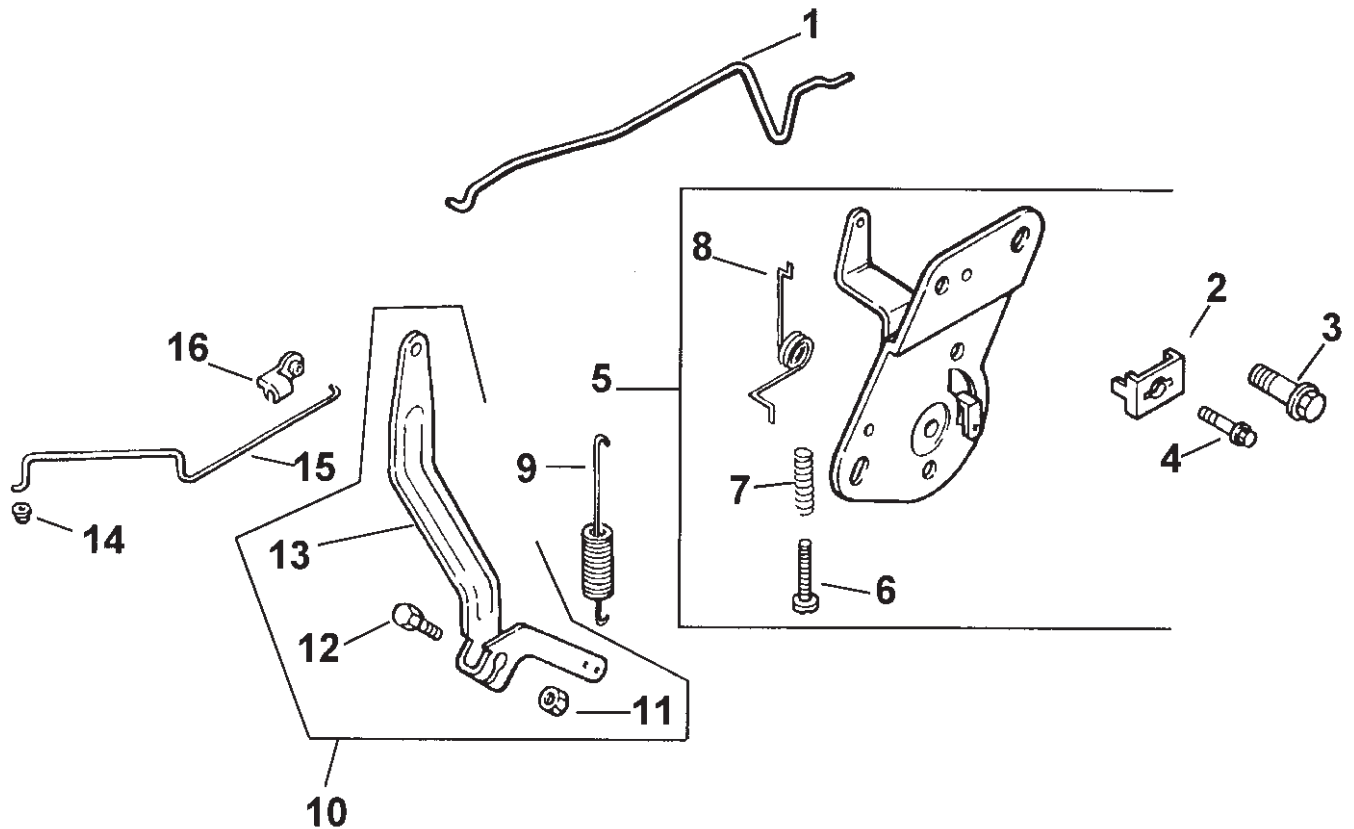
## Fuel System Assembly Kohler Model CV15T-41561

Ref. No.	Part No.	Qty.	Description
1	M-0641060	2	Nut M6x1.0
2	M-0629122	2	Stud M6x1.0x110
3	12 853 80	1	Kit-Carburetor w/Gaskets
4	12 041 02	1	Gasket-Air Cleaner
5	12 053 80	1	Carburetor ASM
6	12 041 01	2	Gasket-Carburetor
7	12 265 04	1	Deflector-Heat
8	47 154 01	1	Clip-Cable
9	12 313 01	1	Grommet
*	12 757 02	1	Kit-Float
*	12 757 08	1	Kit-Choke Repair
*	12 757 03	1	Kit-Carburetor Repair

Ref. No.	Part No.	Qty.	Description

PROTOTYPE

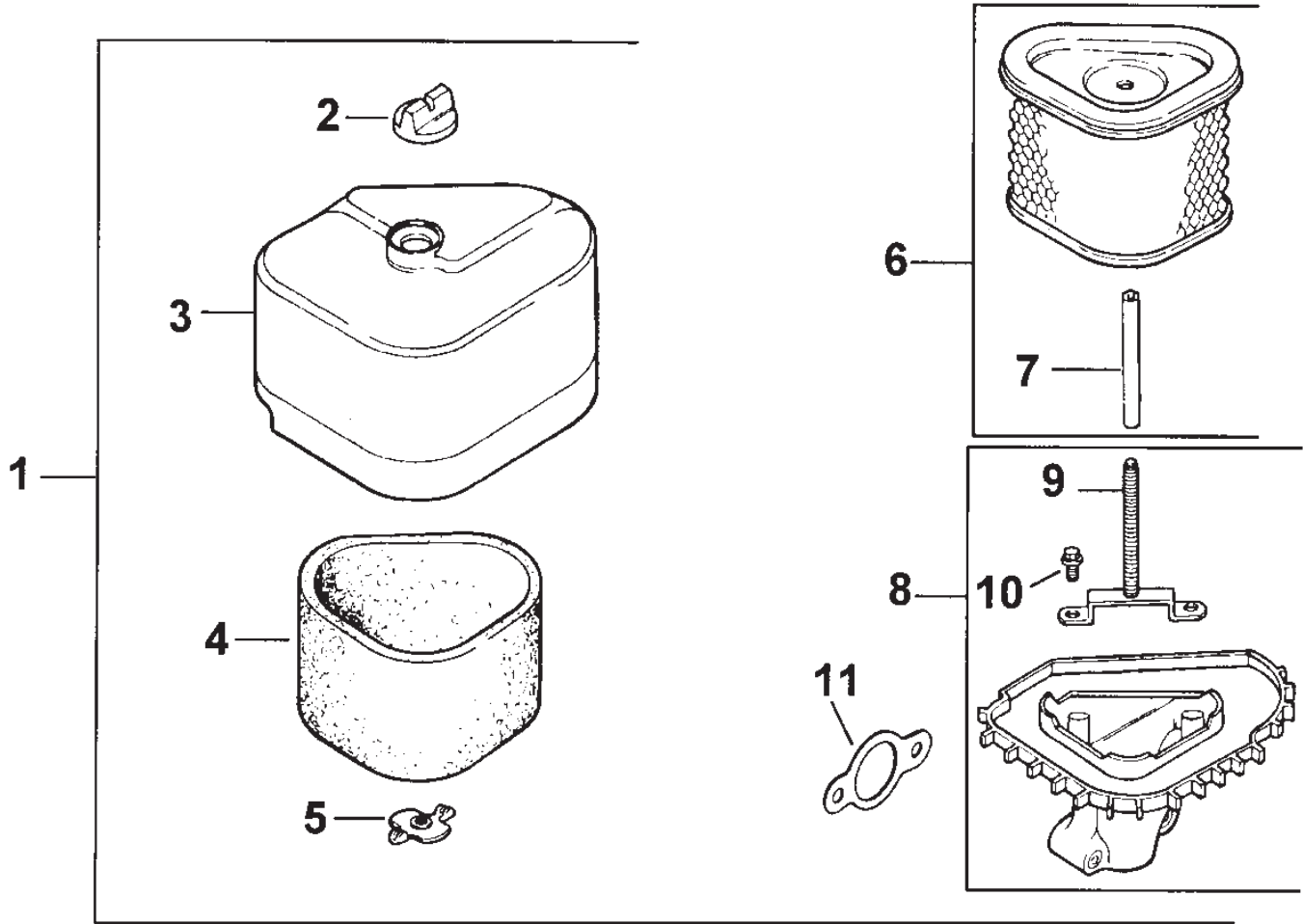
\* Not illustrated  
Obtain Parts From Kohler



## Engine Control Assembly Kohler Model CV15T-41561

Ref. No.	Part No.	Qty.	Description	Ref. No.	Part No.	Qty.	Description
1	12 079 07	1	Linkage-choke				
2	12 237 01	1	Clamp-cable				
3	M-0664020	2	Screw M6X1.0X20				
4	M-0645016	1	Screw-HH M6x1.0x16				
5	12 536 01	1	Control-Speed				
6	SM-0443025	1	Screw				
7	12 089 11	1	Spring				
8	12 089 23	1	Spring-choke Return				
9	12 089 19	1	Spring-governor				
10	12 755 83	1	Kit - Governor Lever (Incl. Ref.#11-13)				
11	12 100 07	1	Nut				
12	52 211 04	1	Bolt - Round HD				
13	12 090 26	1	Lever-governor				
14	25 158 08	1	Bushing-linkage				
15	12 079 01	1	Linkage-throttle				
16	25 158 11	1	Bushing-linkage				

Obtain Parts From Kohler



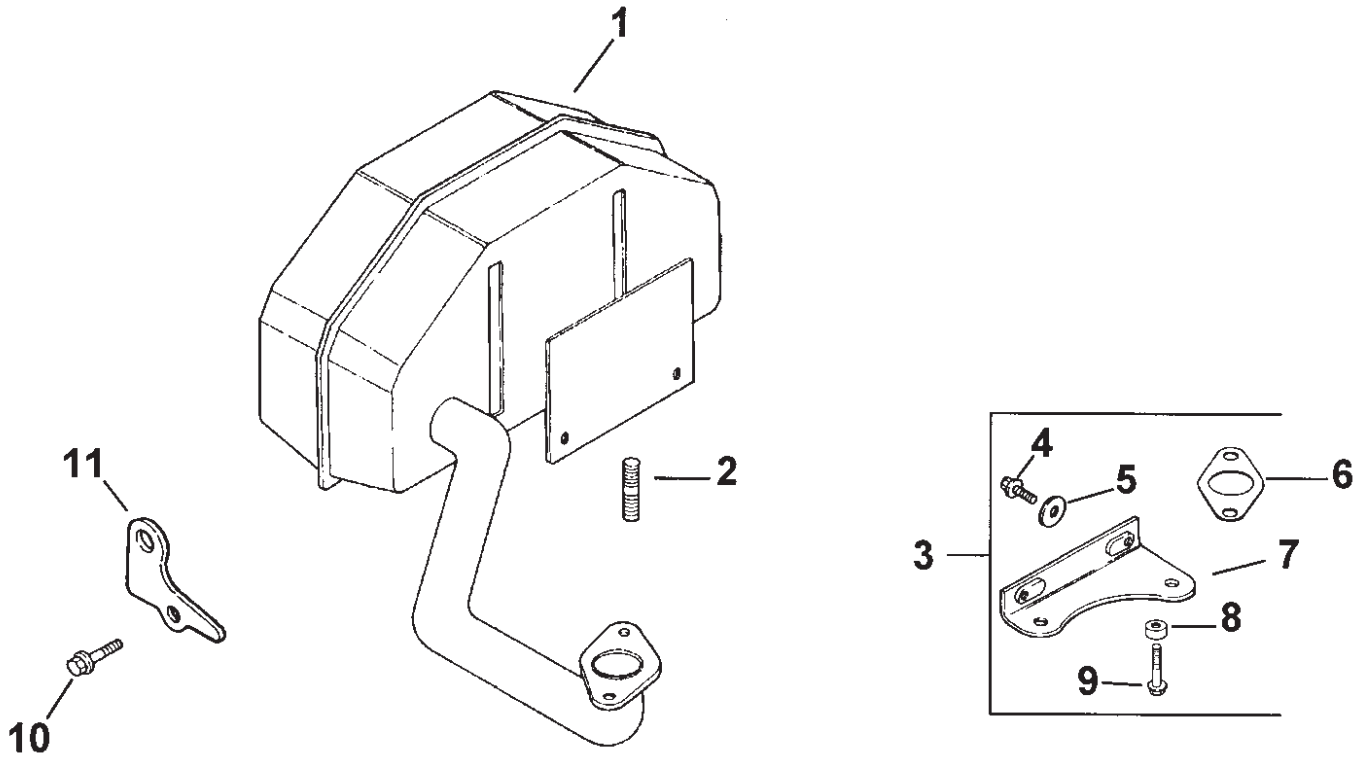
### Air Cleaner Assembly Kohler Model CV15T-41561

Ref. No.	Part No.	Qty.	Description
1	12 734 02	1	Kit-Air Cleaner (Incl. Ref.# 2-11)
2	25 341 03	1	Knob-Cover
3	12 096 16	1	Cover-Air Cleaner
4	12 083 12	1	Precleaner-Element
5	12 100 01	1	Nut-Wing
6	12 083 10	1	Element-Air Cleaner (Incl. Ref.#7)
7	12 032 11	1	Seal
8	12 094 07	1	Base-Air Cleaner (Incl. Ref.#9, 10)
9	12 072 04	1	Stud-Mounting Plate
10	12 086 01	1	Screw-Mounting Plate
11	12 041 02	1	Gasket-Air Cleaner
*	12 113 04	1	Decal-Air Cleaner

Ref. No.	Part No.	Qty.	Description

PROTOTYPE

\* Not illustrated  
Obtain Parts From Kohler



## Exhaust Assembly Kohler Model CV15T-41561

Ref. No.	Part No.	Qty.	Description
1	12 068 03	1	Muffler
2	M-0829033	2	Stud M8x1.25x20
3	12 755 30	1	Kit-Bracket (Incl. Ref.#4-9)
4	M-0650012	2	Screw
5	X-25-52	2	Washer
6	12 041 03	1	Gasket - Exhaust
7	12 126 55	1	Bracket-Muffler
8	12 468 01	1	Washer
9	12 086 13	1	Screw
10	M-0645025	1	Screw
11	12 445 06	1	Strap-Lifting

Ref. No.	Part No.	Qty.	Description

PROTOTYPE

Obtain Parts From Kohler







*PROTOTYPE*