



# Handle Guide Kit

Model No. 105-8593

Form No. 3327-558

## Installation Instructions

### Contents of the Kit

DESCRIPTION	QUANTITY
Left handle guide	1
Right handle guide	1

### Removing the Old Handle Guides

1. Stop the engine and wait for all moving parts to stop.
2. Disconnect the wire from the spark plug.
3. Loosen the nut on the traction cable anchor (Fig. 1).

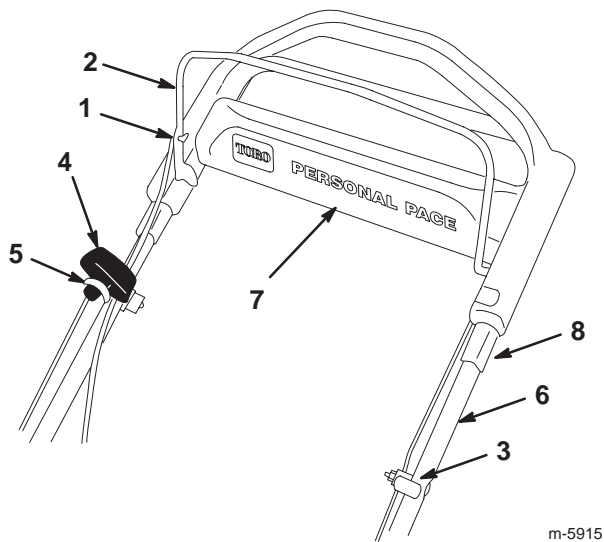
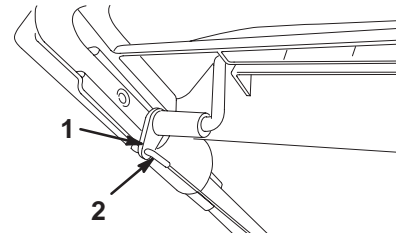


Figure 1

- |                                  |                                |
|----------------------------------|--------------------------------|
| 1. Blade brake cable end fitting | 5. Blade brake and rope guides |
| 2. Blade control bar             | 6. Upper handle section        |
| 3. Traction cable anchor         | 7. Personal Pace® handle       |
| 4. Starter rope                  | 8. Handle guide (2)            |

4. From the underside of the Personal Pace® handle, remove the traction cable end fitting from the traction lever (Fig. 2).

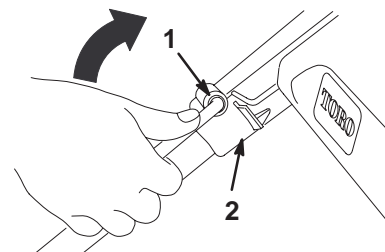


m-5927

Figure 2

- |                   |                               |
|-------------------|-------------------------------|
| 1. Traction lever | 2. Traction cable end fitting |
|-------------------|-------------------------------|

5. Remove the traction cable anchor (Fig. 1).
6. Remove the blade brake cable end fitting from the blade control bar (Fig. 1).
7. Remove the blade control bar (Fig. 1) by holding it by the sides and squeezing them together until the bar comes out of the holes.
8. Remove the starter rope from the rope guide (Fig. 1).
9. Remove the blade brake cable and rope guides (Fig. 1).
10. Remove the upper handle section from the lower handle section and lay it down behind the lawn mower housing.
11. **Carefully** remove the blade brake cable conduit support from the Personal Pace handle by rotating it upward until it comes free, then pull it out (Fig. 3).

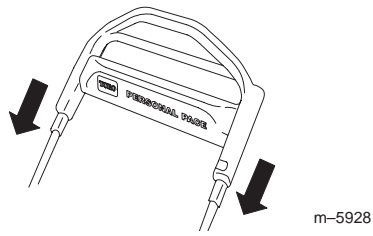


m-5916

Figure 3

- |                              |                                 |
|------------------------------|---------------------------------|
| 1. Blade brake cable conduit | 2. Personal Pace handle support |
|------------------------------|---------------------------------|

12. Push the Personal Pace handle down the upper handle section until it comes loose (Fig. 4).

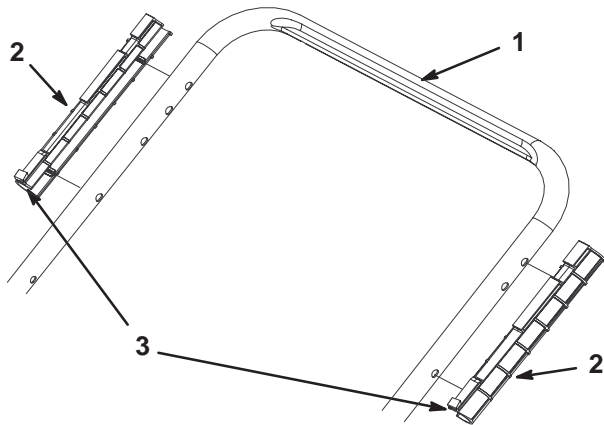


**Figure 4**

13. Pry the old handle guides from the upper handle section (Fig. 1).

## Installing the New Handle Guides

1. Position the handle guides on the upper handle section (as shown in Figure 5) and snap them into place.

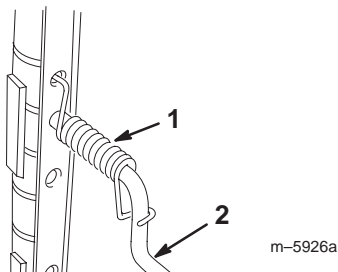


**Figure 5**

- 1. Upper handle section
- 2. Handle guide
- 3. Knob on the bottom

**Important** Ensure that the knobs on the handle guides are on the bottom.

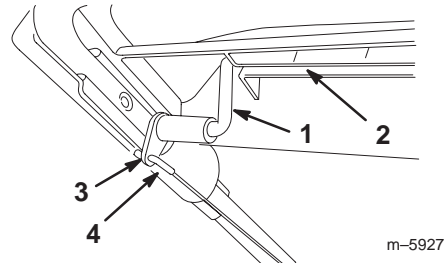
2. Ensure that the end of the torsion spring is anchored in the right side of the upper handle as shown in Figure 6.



**Figure 6**

- 1. Torsion spring
- 2. Traction control bar

- 3. Hook the torsion spring around the traction control bar as shown in Figure 6.
- 4. Rotate the traction control bar one revolution to wind the spring and hold it (Fig. 6).
- 5. Install the Personal Pace handle by sliding it up the upper handle and inserting the traction control bar into the groove in the underside of the Personal Pace handle (Fig. 2).



**Figure 7**

- 1. Traction control bar
- 2. Groove
- 3. Traction lever
- 4. Traction cable

**Note:** The Personal Pace handle is properly installed when it moves up and down smoothly.

- 6. Install the blade brake cable conduit support onto the Personal Pace handle.
- 7. Install the upper handle section onto the lower handle section.
- 8. Install the blade brake cable and the rope guides.
- 9. Install the starter rope in the rope guide.
- 10. Install the blade control bar.
- 11. Install the blade brake cable end fitting in the blade control bar.
- 12. Insert the traction cable in the cable anchor.
- 13. Loosely install the traction cable anchor onto the upper handle section.
- 14. Insert the traction cable end fitting into the the traction lever.
- 15. Slide the traction cable conduit down as far as possible, then tighten the nut on the traction cable anchor securely.
- 16. Connect the wire to the spark plug.
- 17. Start the engine and check the stopping time of the blade brake. The blade must stop within 3 seconds of releasing the blade control bar. If it does not, contact an Authorized Service Dealer.