



Canopy Kit
Workman[®] 1100, 2100 and
Twister[™] Utility Vehicle
Model No. 07297 / 07297R

Parts Catalog

Ordering Replacement Parts

To order replacement parts, please supply: the part number, the quantity, and the description of each part desired.

Understanding Reference Numbers

Each identified part in an illustration has a reference number. The reference number for a part also appears in the parts list, along with other information about the part.

This catalog uses two special reference number formats, one to indicate parts in a service assembly and another to indicate the quantity of a given part in an illustration.

Service Assembly Reference Numbers

Parts in service assemblies have reference numbers in the form **a:b**. The **a** represents the reference number of the entire service assembly and the **b** represents a sequential number unique to each part within the service assembly.

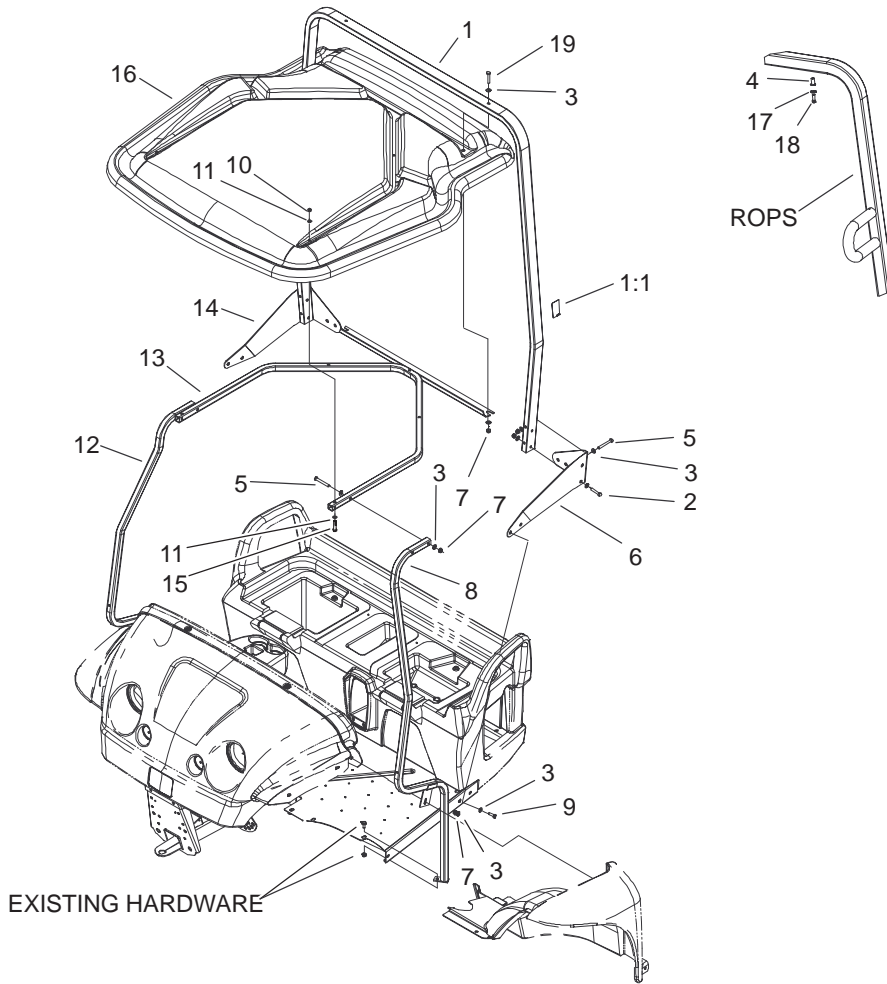
For example, a wheel assembly might be identified by reference number **6**, the tire by **6:1**, the valve by **6:2**, and the wheel by **6:3**. When you order the assembly identified by reference number **6**, you receive all parts identified by reference numbers **6:1**, **6:2**, and **6:3**. However, you may also order any part individually.

Reference numbers of this type appear in illustrations and in part lists.

Reference Numbers Indicating Quantity

In an illustration, if a reference number indicates more than one part, the reference number has the form **nX y**. The **n** represents the quantity of the part, the **X** is the multiplication symbol, and the **y** represents the reference number.

For example, in an illustration, the reference number **2X 37** means that two of the parts identified by reference number **37** are indicated.



Sheet No.:0

Canopy Kit Assembly

Ref. No.	Part No.	Qty.	Description	Ref. No.	Part No.	Qty.	Description
1	104-6744	1	Tube-Support, Rear				
1:1	104-6731	2	Decal-Warning				
2	322-41	4	Screw-HH				
3	3256-2	44	Washer-Flat				
4	104-6743	2	Nut-Clinch				
5	322-13	8	Screw-HH				
6	104-6713	1	Bracket-Rear Support, LH				
7	3296-29	22	Nut-Flange, NI				
8	104-6709	1	Support-Front, LH				
9	322-5	8	Screw-HH				
10	3296-42	5	Nut-Lock, NI				
11	3256-16	10	Washer-Flat				
12	104-6714	1	Support-Front, RH				
13	104-6708	1	Support-Canopy				
14	104-6712	1	Bracket-Rear Support, RH				
15	321-10	5	Screw-HH				
16	104-6623	1	Canopy				
17	3256-56	2	Washer-Flat				
18	323-6	2	Screw-HH				
19	322-10	2	Screw-HH				