



21in Recycler Mower

Model No. 22167—230000001 and Up

Parts Catalog

Ordering Replacement Parts

To order replacement parts, please supply: the part number, the quantity, and the description of each part desired.

Understanding Reference Numbers

Each identified part in an illustration has a reference number. The reference number for a part also appears in the parts list, along with other information about the part.

This catalog uses two special reference number formats, one to indicate parts in a service assembly and another to indicate the quantity of a given part in an illustration.

Service Assembly Reference Numbers

Parts in service assemblies have reference numbers in the form **a:b**. The **a** represents the reference number of the entire service assembly and the **b** represents a sequential number unique to each part within the service assembly.

For example, a wheel assembly might be identified by reference number **6**, the tire by **6:1**, the valve by **6:2**, and the wheel by **6:3**. When you order the assembly identified by reference number **6**, you receive all parts identified by reference numbers **6:1**, **6:2**, and **6:3**. However, you may also order any part individually.

Reference numbers of this type appear in illustrations and in part lists.

Reference Numbers Indicating Quantity

In an illustration, if a reference number indicates more than one part, the reference number has the form **nX y**. The **n** represents the quantity of the part, the **X** is the multiplication symbol, and the **y** represents the reference number.

For example, in an illustration, the reference number **2X 37** means that two of the parts identified by reference number **37** are indicated.

Contents

Description	Page	Description	Page
Housing Assembly	3	Recoil Starter Assembly	
Housing Assembly No. 98-7139	4	Honda GXV160K1 A12	17
Wheel and Tire Assembly No. 100-2870	5	Fan Cover Assembly	
Gear Case Assembly No. 74-1861	6	Honda GXV160K1 A12	18
Engine and Blade Assembly	7	Carburetor Assembly	
Handle and Control Assembly	8	Honda GXV160K1 A12	19
Rear Axle Assembly	9	Air Cleaner Assembly	
Wheel and Tire Assembly No. 100-2860	10	Honda GXV160K1 A12	20
Grass Bag Assembly No. 99-2535	11	Muffler Assembly	
Cylinder Head Assembly		Honda GXV160K1 A12	21
Honda GXV160K1 A12	12	Flywheel Assembly	
Cylinder Barrel Assembly		Honda GXV160K1 A12	22
Honda GXV160K1 A12	13	Control Assembly	
Crankshaft and Piston Assembly		Honda GXV160K1 A12	23
Honda GXV160K1 A12	15	Label Assembly and Gasket Kits	
Camshaft Assembly		Honda GXV160K1 A12	24
Honda GXV160K1 A12	16		

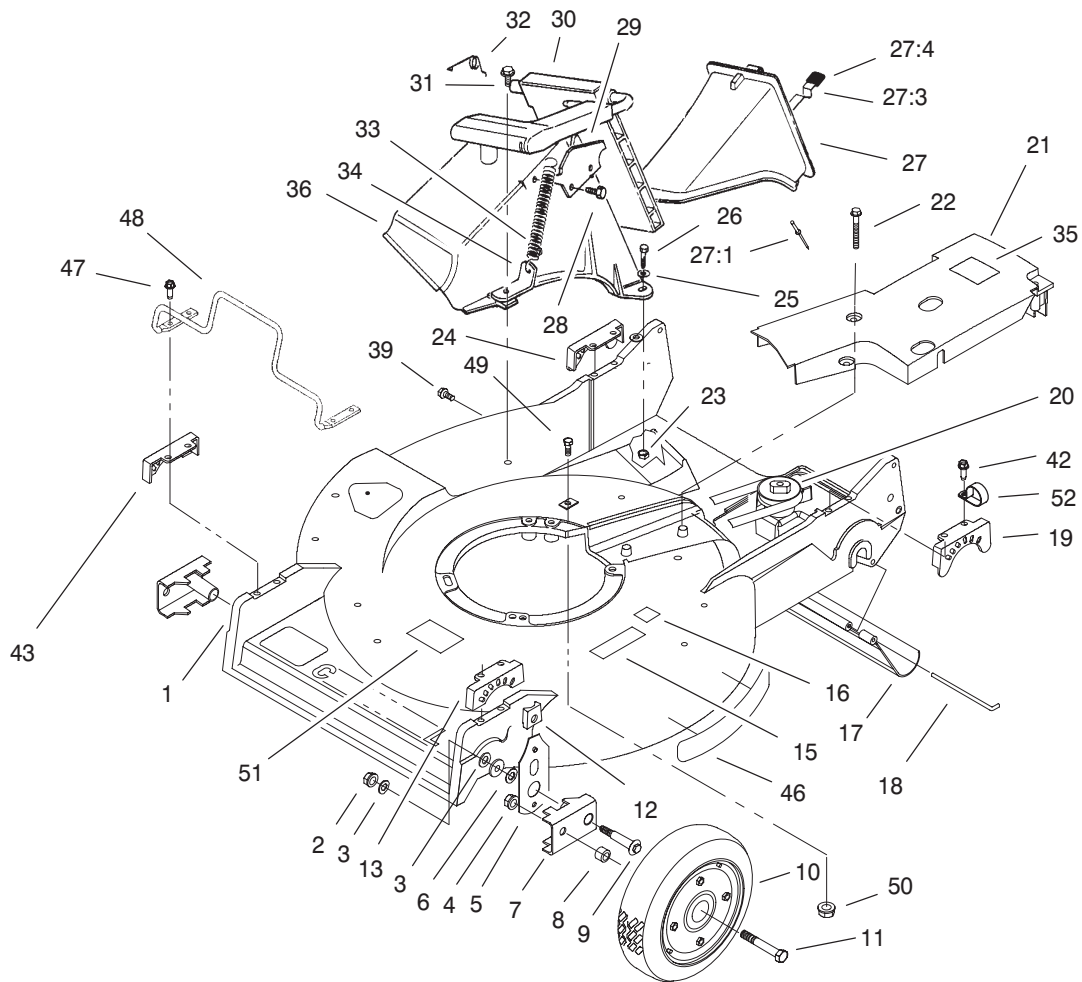
Accessories

Description	Model / Part No.	Description	Model / Part No.
Side Discharge Kit	59199	Atomic Blade	105-9352

Part Description Abbreviations

Part descriptions in this catalog may include the following abbreviations.

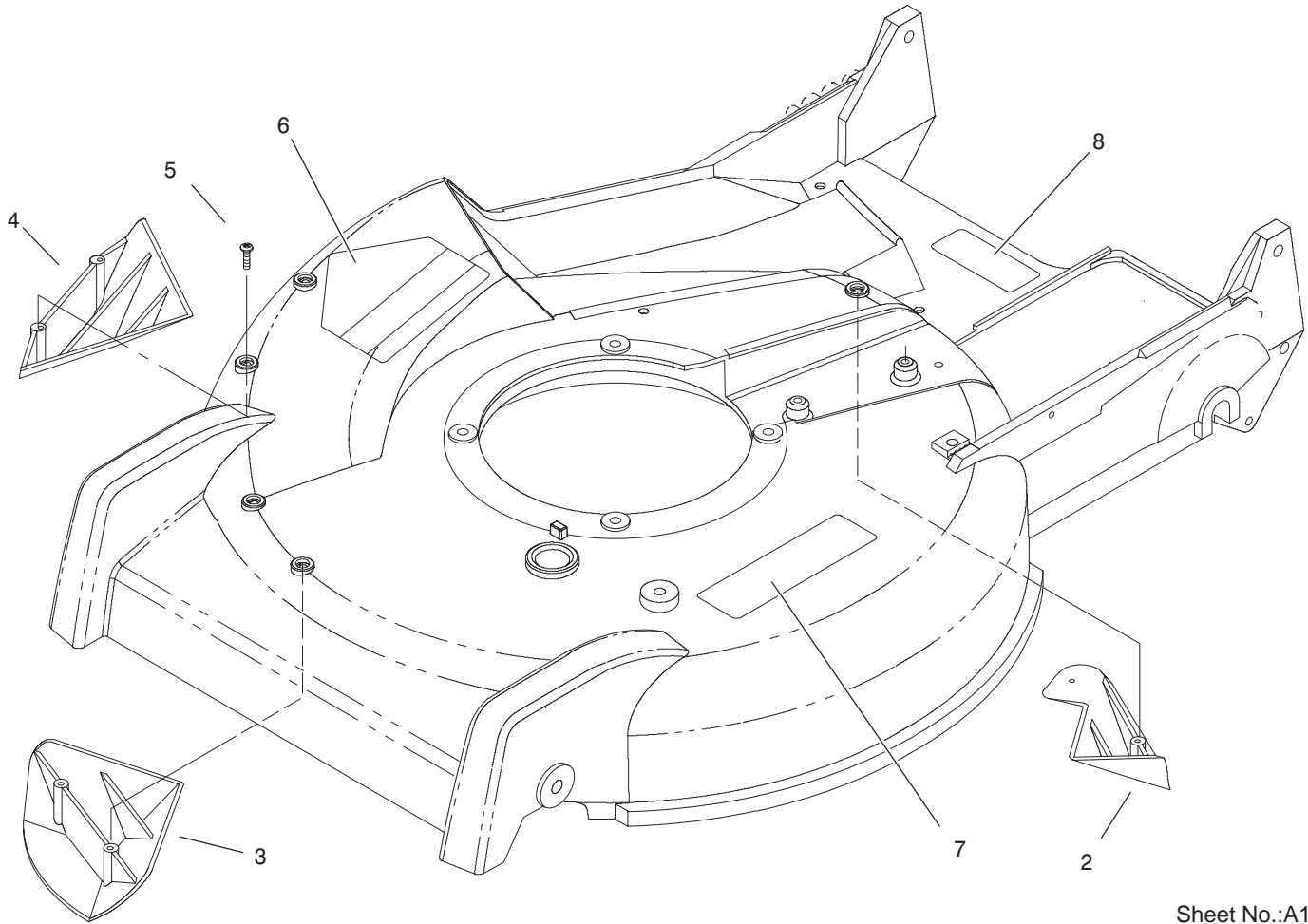
Abbreviation	Meaning	Abbreviation	Meaning
AR	as required	HYD	hydraulic
ASM	assembly	INC	incorporated
CARR	carriage	LH	left hand
DEG	degrees	NI	nylon insert
FH	flat head	PPH	Phillips pan head
GA	gauge	PTH	Phillips truss head
HF	hex flange	PTO	power take off
HH	hex head	RH	right hand
HHF	hex head flange	SFH	slotted fillister head
HLH	hex lag head	SHH	slotted hex head
HJ	hex jam	SQH	square head
HOC	height-of-cut	SHWH	slotted hex washer head
HS	hex socket	SPH	slotted pan head
HSBH	hex socket button head	SRH	slotted round head
HSFH	hex socket flat head	STD	standard
HSH	hex socket head	TAP	self tapping
HWH	hex washer head	TTH	Torx truss head
HWHTF	hex washer head thread forming	WH	wing head



Sheet No.:2

Housing Assembly

Ref. No.	Part No.	Qty.	Description	Ref. No.	Part No.	Qty.	Description
1	98-7139	1	Housing	27:1	3295-35	1	Rivet-Head, Flat
2	3296-6	2	Nut-Lock, NI	27:3	76-4640	1	Latch-Plug, Discharge
3	40-1940	4	Washer	27:4	76-4650	1	Grip-Latch
4	32152-2	2	Nut-Hex	28	46-8090	2	Screw-Plastite
5	66-7560	2	Front Spring Arm ASM	29	93-3154	1	Latch-Plate
6	257-3	2	Washer-Thrust	30	93-7351	1	Discharge Door ASM
7	61-8300	2	Arm-Pivot, Front	31	46-6811	1	Screw-HWH
8	52-2480	2	Spacer-Wheel	32	80-3770	1	Retainer-Door
9	27-6232	2	Bolt-Wheel	33	76-4660	1	Spring-Door
10	100-2870	2	Wheel & Tire ASM	34	71-9350	1	Bracket-Spring
11	323-12	2	Screw-HH	35	52-2620	1	Label-Grease
12	25-7740	2	Knob-Arm	36	82-9152	1	Tunnel-Discharge
13	49-8760	1	Quadrant-Front, LH	39	46-6810	1	Screw And Washer ASM
14	104-8589	1	Decal-Warning	42	49-2040	4	Screw-Tapping
16	105-2625	1	Decal-STD, Safety	43	49-8770	1	Quadrant-Front, RH
17	44-0580	1	Shield-Trailing	46	106-0689	1	Decal
18	33-3208	1	Rod-Shield	47	32144-86	4	Screw-HH
19	49-8740	1	Quadrant-Rear, LH	48	99-6722	1	Guard-Engine
20	74-1861	1	Gear Case ASM	49	323-6	2	Screw-HH
21	74-1770	1	Cover-Belt	50	3296-39	2	Nut-Lock, NI
22	37-7260	2	Screw-HH	51	68-7410	1	Decal-Blade
23	3296-42	2	Nut-Lock, NI	52	2412-72	1	Clip-Closed, Insulated
24	49-8750	1	Quadrant-Rear, RH				
25	3256-22	2	Washer-Flat				
26	321-7	2	Screw-HH				
27	77-0500	1	Discharge Plug ASM				



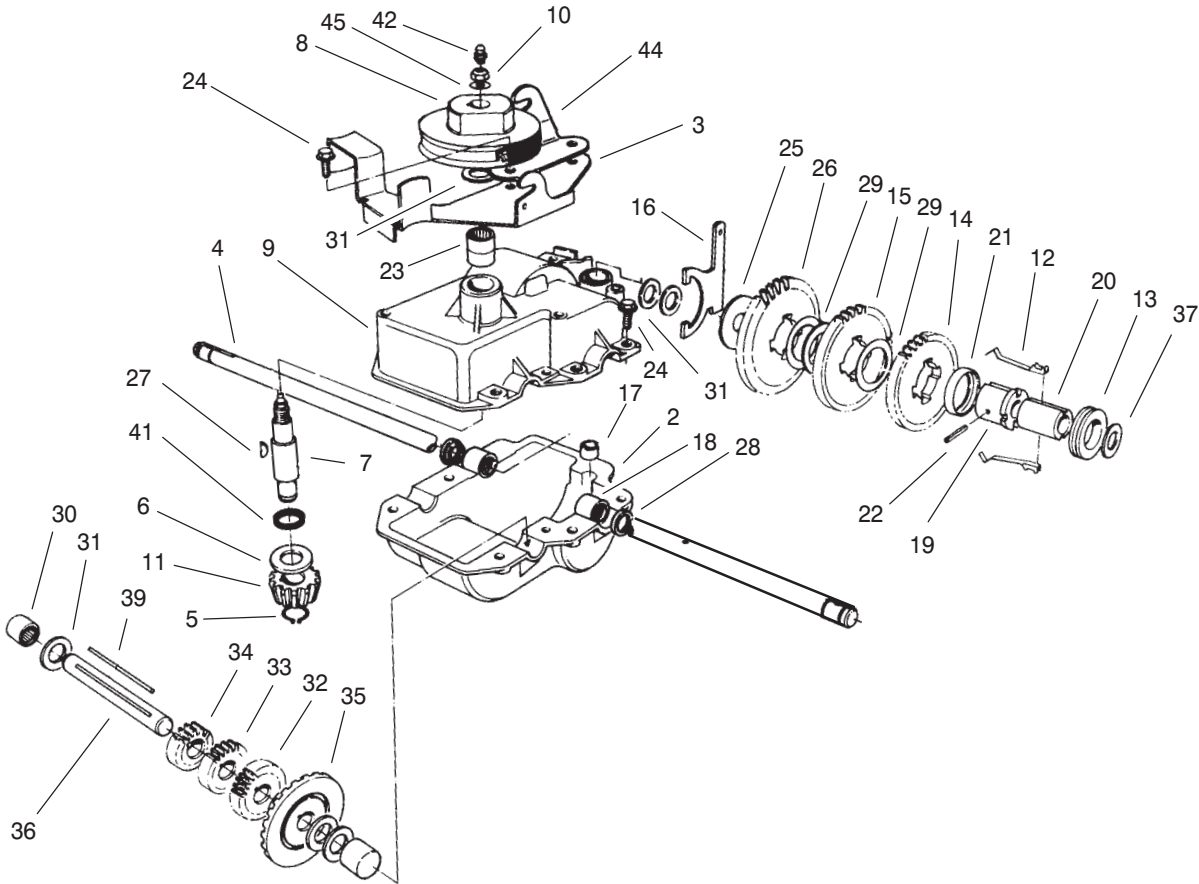
Sheet No.:A1

Housing Assembly No. 98-7139

Ref. No.	Part No.	Qty.	Description
2	92-1750	1	Kicker-Rear
3	92-1720	1	Kicker-Front
4	92-1730	1	Kicker-RH
5	32144-1 11	6	Screw-PPH
6	39-5770	1	Decal-Danger
7	93-0248	1	Decal-Warning
8	92-1779	1	Decal-Warning

Ref. No.	Part No.	Qty.	Description

PROTOTYPE

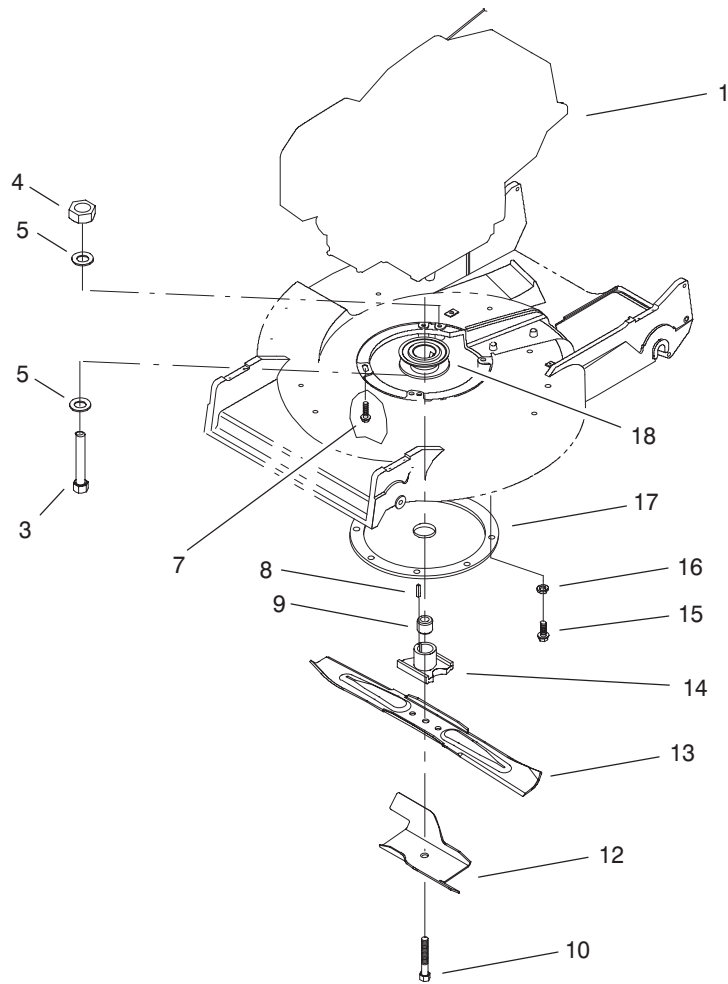


Sheet No.:A3
c-2990

Gear Case Assembly No. 74-1861

Ref. No.	Part No.	Qty.	Description
2	74-1920	1	Case-Gear , Lower
3	49-8461-03	1	Bracket-Guide, Belt
4	74-1890	1	Shaft-Output
5	32151-57	1	Ring-Retaining
6	47-2910	1	Washer-Thrust
7	68-8190	1	Shaft-Input
8	39-6740	1	Pulley
9	74-1880	1	Case-Gear , Upper
10	3296-5	1	Nut-Lock, NI
11	39-6660	1	Pinion-Bevel
12	29-9330	2	Key-Shift
13	29-9340	1	Collar-Shift
14	42-4740	1	Gear-38 Tooth
15	29-9271	1	Gear-42 Tooth
16	60-8870	1	Yoke-Shift
17	29-9570	1	Bushing-Yoke
18	47-6730	2	Seal-Oil
19	55-8010	1	Sleeve-Gear
20	39-6720	1	Sleeve
21	55-8020	1	Retainer-Key
22	3285-19	1	Pin-Groove
23	47-7270	2	Bearing
24	49-2040	6	Screw-Tapping
25	29-9690	1	Washer
26	46-3560	1	Gear
27	3257-1	2	Key-Woodruff

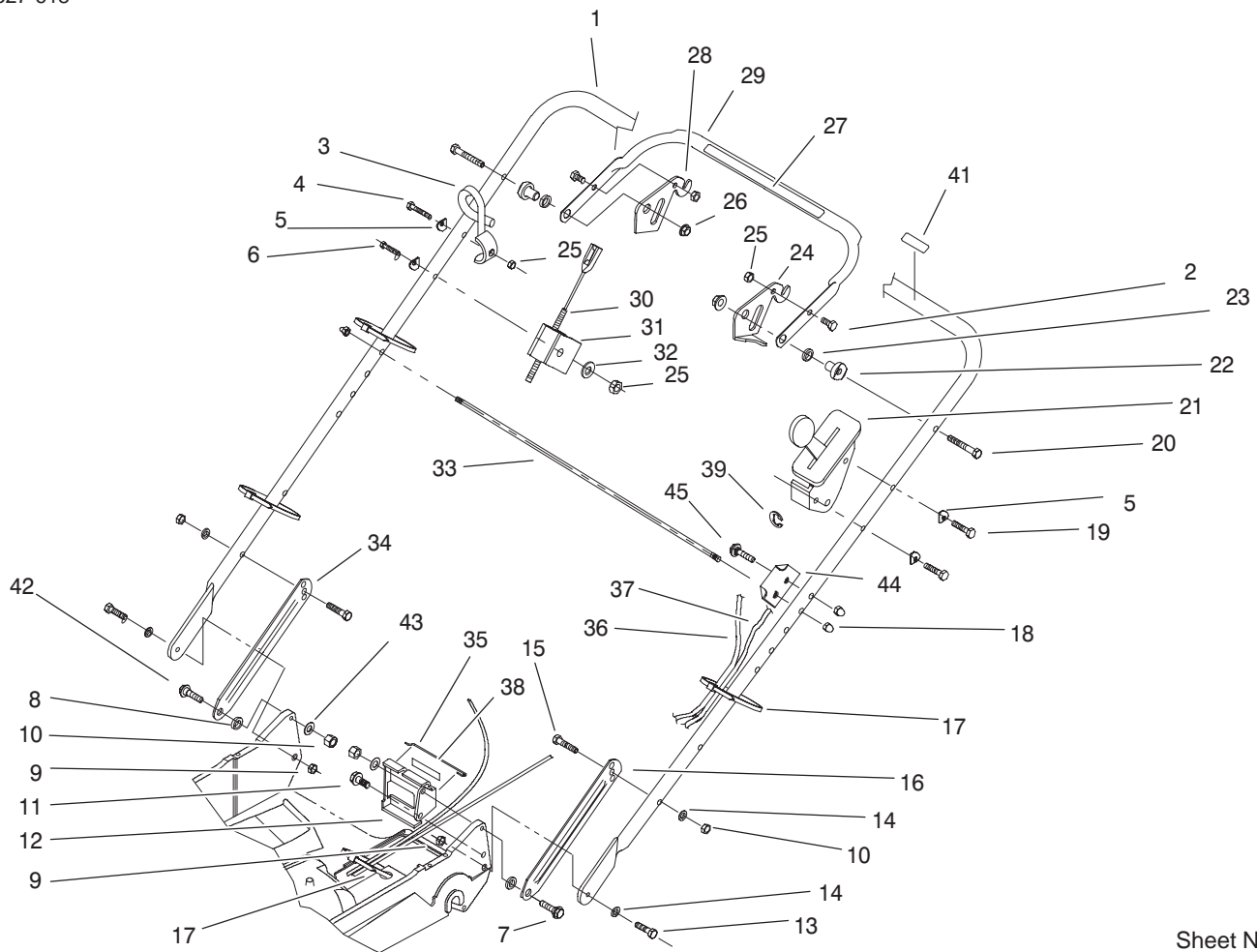
Ref. No.	Part No.	Qty.	Description
28	48-2060	2	Bearing-Roller
29	36-4770	3	Washer
30	252-103	2	Bearing-Closed
31	36-4792	4	Washer-Thrust
32	39-6650	1	Gear-18t
33	46-3550	1	Gear-14t
34	46-3540	1	Gear-12t
35	74-1760	1	Gear-Bevel
36	53-7950	1	Shaft-Intermediate
37	36-4780	3	Washer
39	39-7842	1	Key
41	47-7260	1	Seal
42	302-63	1	Zerk
44	74-1750-03	1	Brake-Engage, Traction
45	3256-45	1	Washer-Flat



Sheet No.:3

Engine and Blade Assembly

Ref. No.	Part No.	Qty.	Description	Ref. No.	Part No.	Qty.	Description
1	103-3380	1	Engine-Honda, 5.5hp				
3	322-10	1	Screw-HH				
4	3296-29	1	Nut-Lock, NI				
5	3256-23	2	Washer-Flat				
7	103-2678	3	Screw				
8	5-1077	1	Key-Square				
9	103-3795	1	Spacer-Retainer, Blade				
10	105-8579	1	Bolt-Blade, Sems				
12	92-1599-03	1	Stiffener-Blade				
13	14-9419	1	Blade				
14	52-2170	1	Retainer-Blade				
15	32144-70	3	Screw-HH				
16	3254-6	3	Washer-Lock, Internal				
17	65-5860	1	Protector-Crankshaft				
18	46-7910	1	Pulley-Driver				

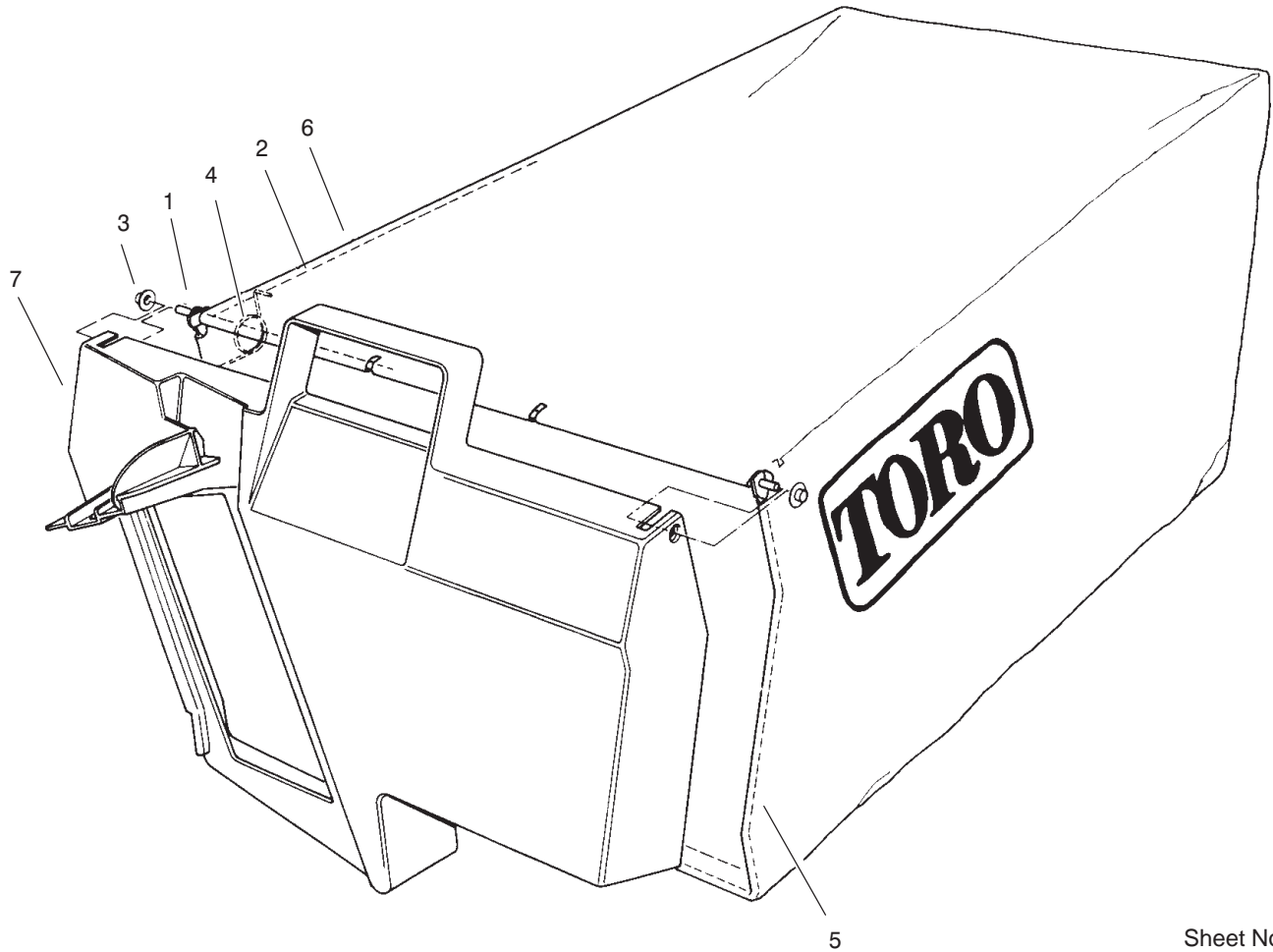


Sheet No.:4

Handle and Control Assembly

Ref. No.	Part No.	Qty.	Description
1	98-2000-03	1	Handle
2	321-4	2	Screw-HH
3	46-8081	1	Guide-Rope
4	321-9	1	Screw-HH
5	3-7501	4	Washer
6	321-15	1	Screw-HH
7	27-7210	1	Screw-Shoulder
8	3-3287	2	Spacer-Latch, Handle
9	3296-47	2	Nut-Lock, NI
10	3296-29	4	Nut-Lock, NI
11	32144-70	1	Screw-HH
12	74-1741	1	Bracket-Adjustment, Traction
13	322-6	2	Screw-HH
14	3290-456	4	Washer-Belleville
15	322-7	2	Screw-HH
16	100-3298-03	1	Latch-Handle, LH
17	3290-378	5	Tie-Cable
18	32111-7	3	Nut-Cap
19	321-13	2	Screw-HH
20	322-1 1	2	Screw-HH
21	103-3385	1	Control-Throttle
22	49-1630	2	Spacer-Support
23	256-276	2	Spacer-Nylon
24	66-5350	1	Lever-Control
25	3296-42	4	Nut-Lock, NI

Ref. No.	Part No.	Qty.	Description
26	3296-58	2	Nut-Lock NI
27	106-0690	1	Decal-T raction
28	77-5270	1	Lever-Control
29	61-8270-03	1	Bar-Control
30	103-2683	1	Cable-Brake, Sp
31	46-6980	1	Support-Cable
32	3256-22	1	Washer-Flat
33	48-2810	1	Rod-Support, Bag
34	100-3297-03	1	Latch-Handle, RH
35	46-7030	1	Retainer-Cable
36	74-1791	1	Cable-T raction
37	70-1061	1	Cable-Throttle
38	74-1970	1	Decal-Position, Gear
39	32151-86	2	E-Ring
41	98-4387	1	Decal-Protection, Ear
42	27-721 1	1	Screw-Shoulder
43	3256-23	2	Washer-Flat
44	104-1326	1	Plate-Aligning, Bag
45	3229-3	1	Screw-CARR

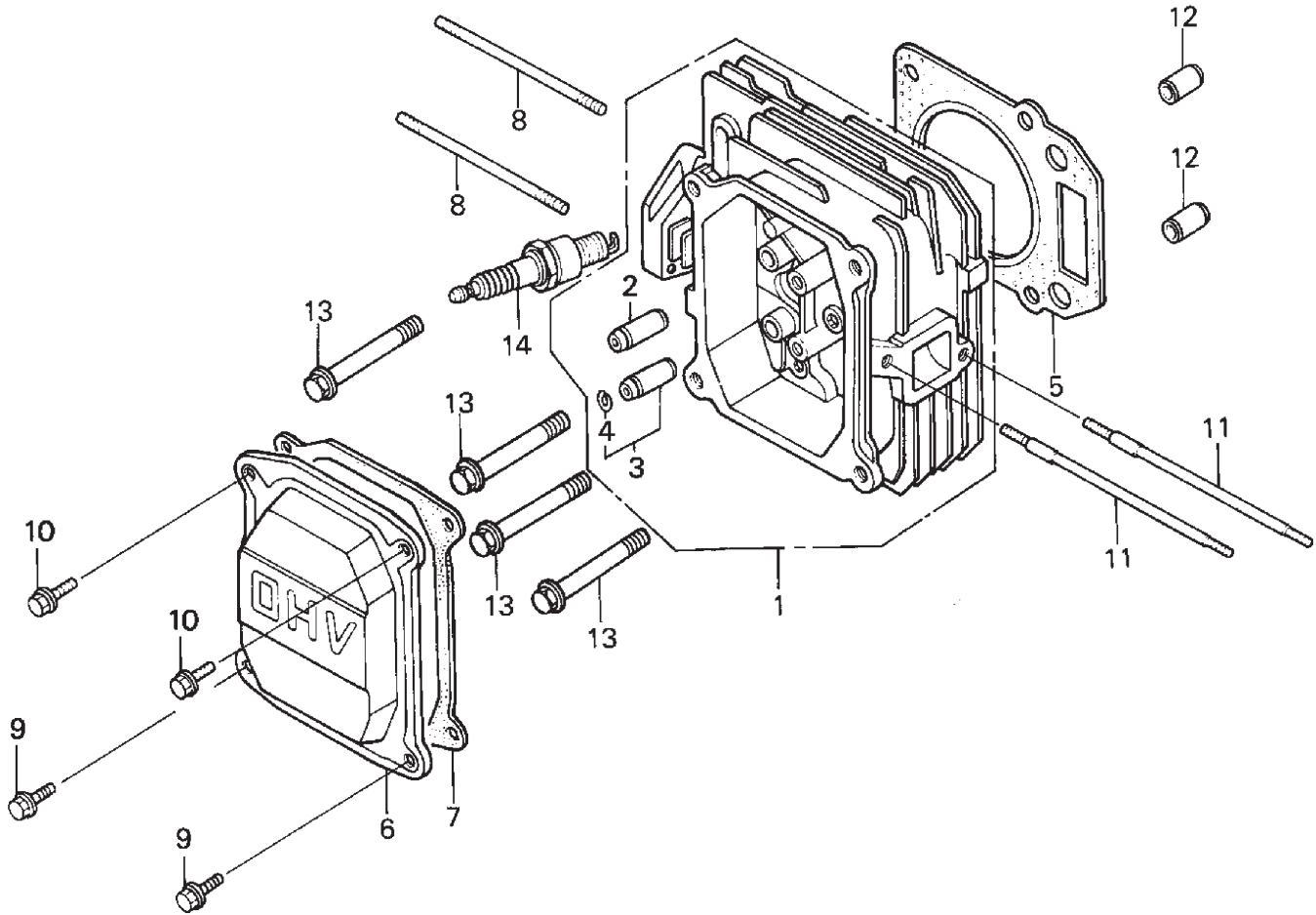


Sheet No.:A5

Grass Bag Assembly No. 99-2535

Ref. No.	Part No.	Qty.	Description
1	33-4820	1	Hinge-Door , Bag
2	42-4030	1	Frame-Bag, Upper
3	3290-422	2	Nut-Push
4	36-6910	2	Spring
5	42-4020	1	Frame-Bag
6	98-9225	1	Bag-Grass
7	48-2840	1	Door-Bag, Grass

Ref. No.	Part No.	Qty.	Description
<p style="font-size: 48px; opacity: 0.5;">PROTOTYPE</p>			

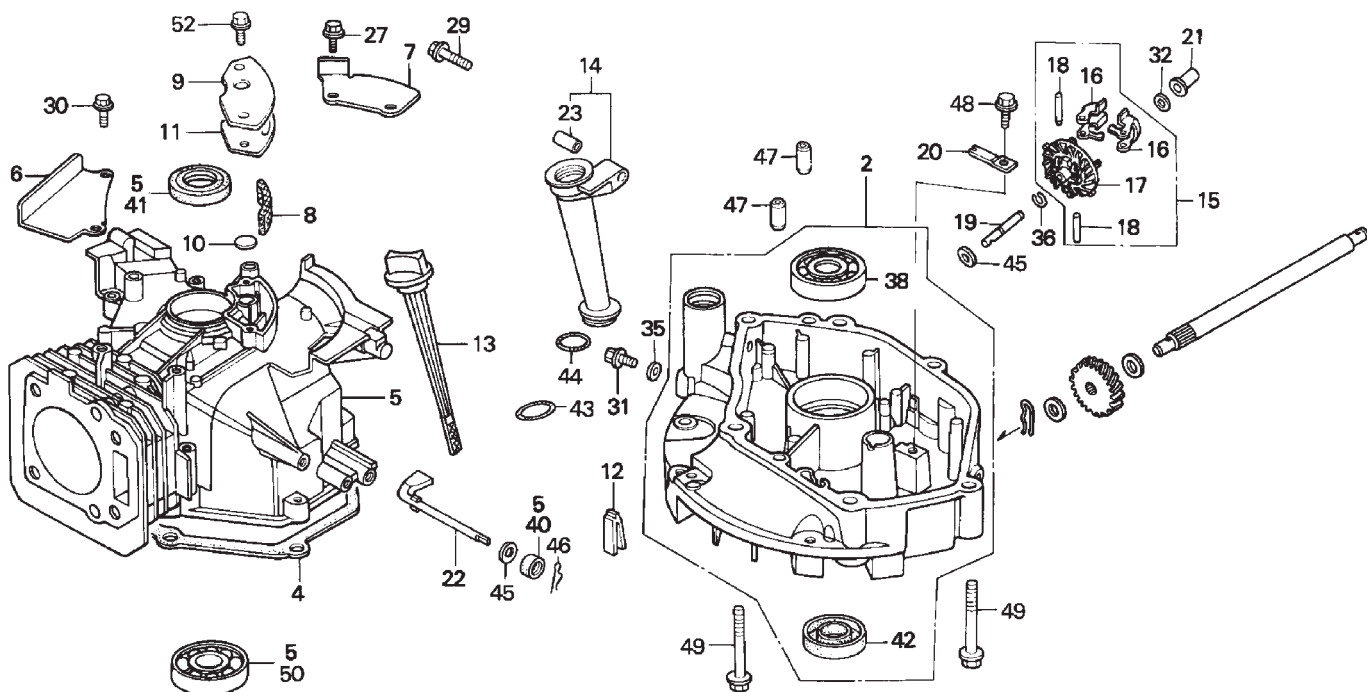


Cylinder Head Assembly Honda GXV160K1 A12

Ref. No.	Part No.	Qty.	Description
1	12200-ZE7-010	1	Cylinder Head
2	12204-ZE1-306	1	Guide, Valve (OS)
3	12205-ZE1-315	1	Guide, EX. Valve (OS)
4	12216-ZE5-300	1	Clip, Valve Guide
5	12251-ZE7-000	1	Gasket, Cylinder Head
6	12311-ZG9-800	1	Cover, Head
7	12391-ZE7-T00	1	Gasket, Cylinder Head Cover
8	90048-ZC3-000	2	Bolt, Stud (6x85) (CT200)
9	90013-883-000	2	Bolt, Flange (6x12) (CT200)
10	90013-883-000	2	Blot, Flange (6x12) (CT200)
11	90043-ZE6-000	2	Bolt, Stud (6x109)
12	94301-10160	2	Pin A, Dowel (10x16)
13	95701-08050-00	4	Bolt, Flange (8X50)
14	98079-54846	1	Spark Plug (BPR4ES) (NGK)
	98079-54855	1	Spark Plug (W14EPRU) (DENSO)
	98079-55846	1	Spark Plug (BPR5ES) (NGK)
	98079-55855	1	Spark Plug

Ref. No.	Part No.	Qty.	Description
			(W16EPRU) (DENSO)
	98079-56846	1	Spark Plug (BPR6ES) (NGK)
	98079-56855	1	Spark Plug (W20EPRU) (DENSO)

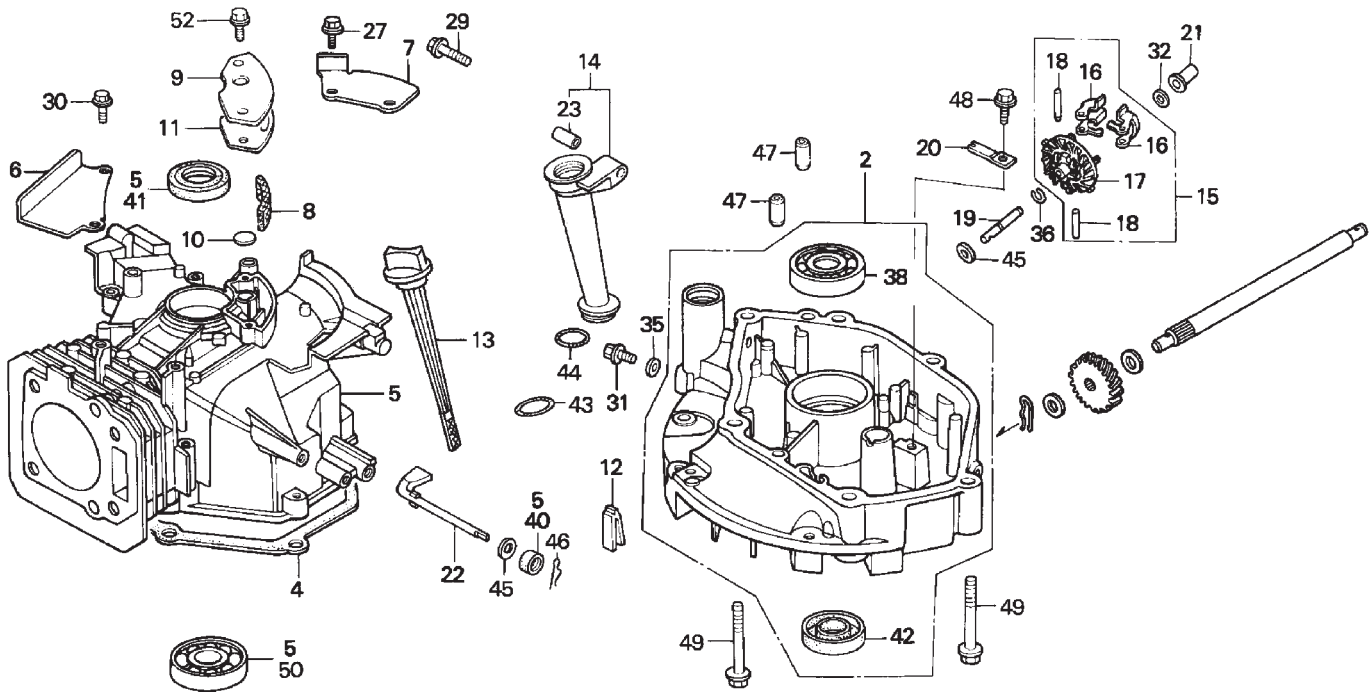
Obtain Parts From Honda



Cylinder Barrel Assembly Honda GXV160K1 A12

Ref. No.	Part No.	Qty.	Description	Ref. No.	Part No.	Qty.	Description
2	11300-ZE7-W00	1	Pan Assy., Oil (Push Type)	22	16541-ZE7-000	1	Shaft, Governor Arm
4	11381-ZE7-M10	1	Gasket, Oil Pan	23	17240-ZE6-000	1	Collar, Extension
5	12000-ZE7-405	1	Cylinder Assy.	27	90013-883-000	2	Bolt, Flange (6X12) (CT200)
6	12125-ZE7-000	1	Plate, Guide	29	90017-883-000	1	Bolt, Flange (6X32)
7	12126-ZE7-W00	1	Plate A, Guide	30	90022-888-010	2	Bolt, Flange (6X20) (CT200)
8	12367-883-003	1	Filter, Breather	31	90131-ZE1-000	1	Bolt, Drain Plug
9	12370-ZE7-000	1	Cover, Breather	32	90451-ZE1-000	1	Washer, Thrust (6MM)
10	12372-ZE7-000	1	Valve, Breather	35	90601-ZE1-000	1	Washer, Drain Plug (10.2MM)
11	12373-ZE7-000	1	Gasket, Breather Cover	36	30602-ZE1-000	1	Clip, Governor Holder
12	15355-ZE7-000	1	Rubber, Oil Return	40	91231-891-003	1	Oil Seal (6X11X4)
13	15620-ZE6-810	1	Dipstick, Oil	41	91201-ZG9-U71	1	Oil Seal (25X38X7)
14	15630-ZE6-810	1	Extension, Oil Filler (106MM)		91252-888-003	1	Oil Seal (25X38X7) (ARAI)
15	16510-ZE6-000	1	Governor Assy.	42	91252-894-004	1	Oil Seal (25.4X40X7)
16	16511-ZE1-000	2	Weight, Governor	43	91301-ZE9-003	1	O-Ring (22.5X2.2)
17	16512-ZE6-000	2	Holder, Governor Weight	44	91301-805-000	1	O-Ring (26X2.7)
18	16513-ZE1-000	2	Pin, Governor Weight	45	94101-06800	2	Washer, Plain (6MM)
19	16515-ZE6-010	1	Shaft, Governor Holder	46	94251-08000	1	Pin, Lock (8MM)
20	16525-ZE6-010	1	Plate, Governor Shaft Holder	47	94301-08140	2	Pin A, Dowel (8X14)
21	16531-ZE1-000	1	Slider, Governor	48	95701-06012-08	1	Bolt, Flange (6X12)
				49	95701-08050-00	6	Bolt, Flange (8X50)

Obtain Parts From Honda



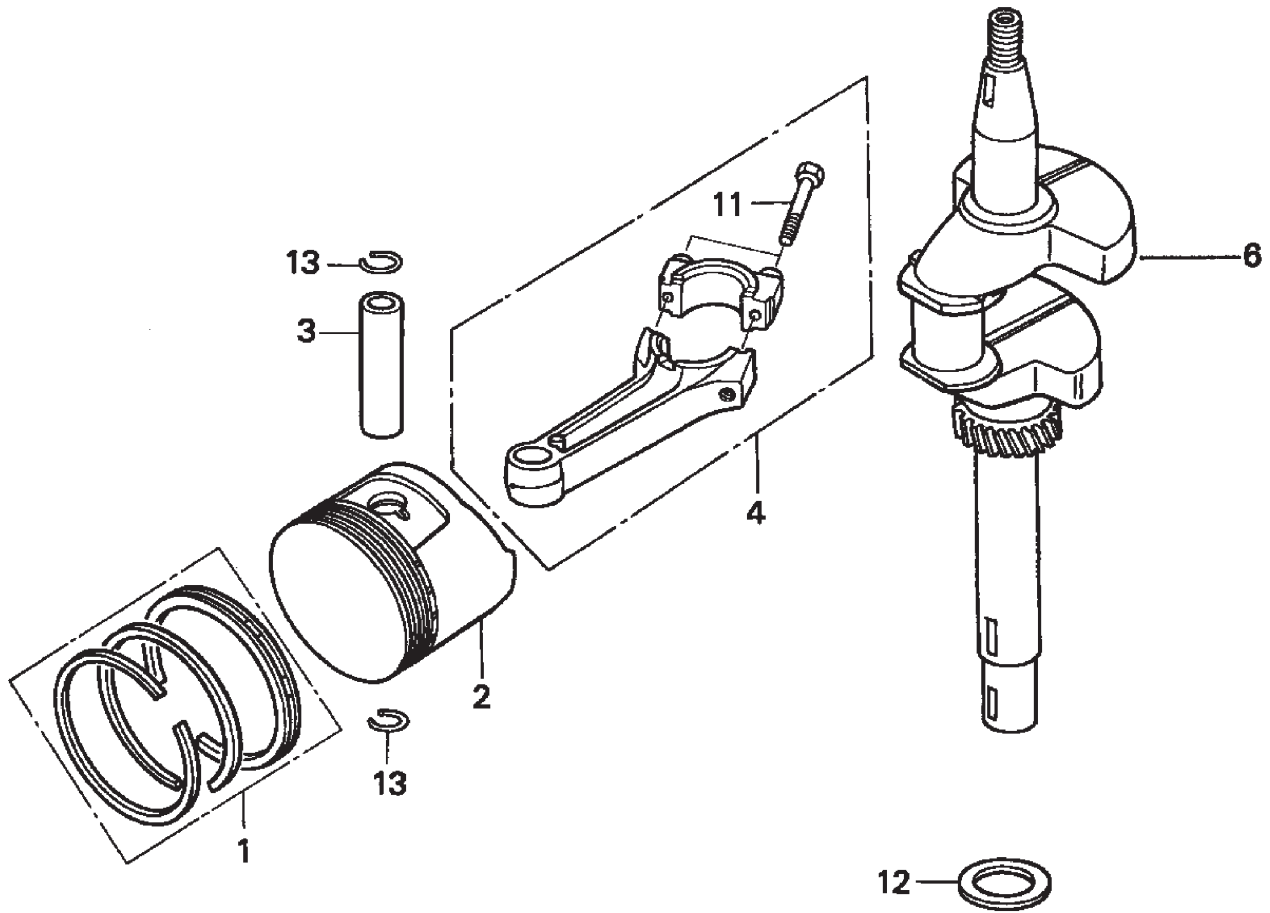
Cylinder Barrel Assembly (Continued) Honda GXV160K1 A12

Ref. No.	Part No.	Qty.	Description
50	96100-62050-00	1	Bearing, Radial Ball (6025)
52	90014-952-000	2	Bolt, Flange (6X14)

Ref. No.	Part No.	Qty.	Description

PROTOTYPE

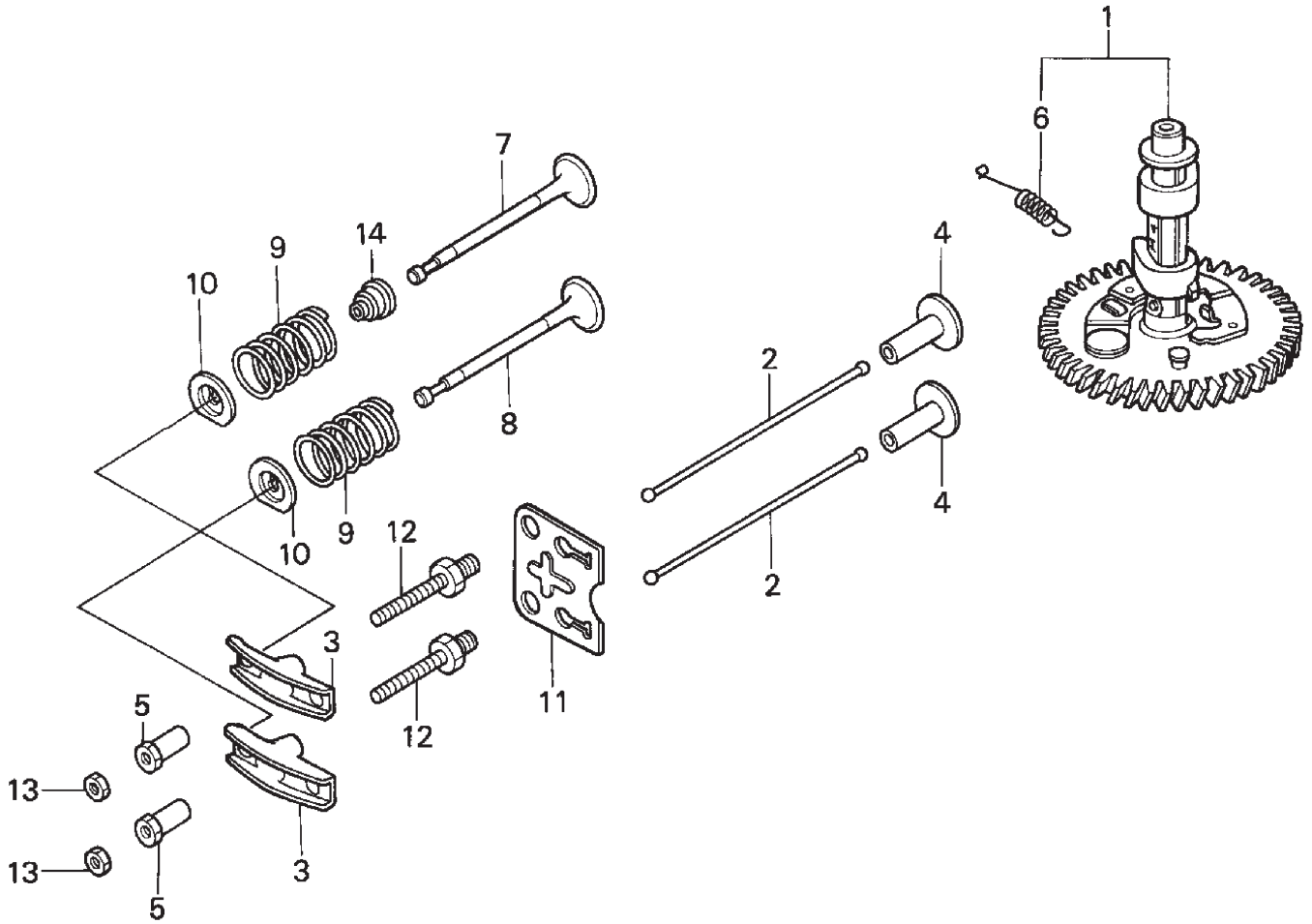
Obtain Parts From Honda



Crankshaft and Piston Assembly Honda GXV160K1 A12

Ref. No.	Part No.	Qty.	Description	Ref. No.	Part No.	Qty.	Description	
1	13010-ZF1-023	1	Ring Set, Piston (STD)	PROTOTYPE				
	13011-ZF1-023	1	Ring Set, Piston (OS 0.25)					
	13012-ZF1-023	1	Ring Set, Piston (OS 0.50)					
	13013-ZF1-023	1	Ring Set, Piston (0.75)					
2	13101-ZE7-010	1	Piston (STD)					
	13102-ZE7-010	1	Piston (OS 0.25)					
	13103-ZE7-010	1	Piston (OS 0.50)					
	13104-ZE7-010	1	Piston (0.75)					
3	13111-ZE1-000	1	Pin, Piston					
4	13200-ZE7-000	1	Rod Assy., Connecting					
	13200-ZE7-305	1	Rod Assy., Connecting (US 0.25)					
6	13310-ZE7-010	1	Crankshaft (N1 TYPE)					
11	90001-ZE1-000	2	Bolt, Connecting Rod					
12	90401-ZE7-W00	1	Washer, Thrust (25.6MM)					
13	90551-ZE1-000	2	Clip, Piston Pin (18MM)					

Obtain Parts From Honda



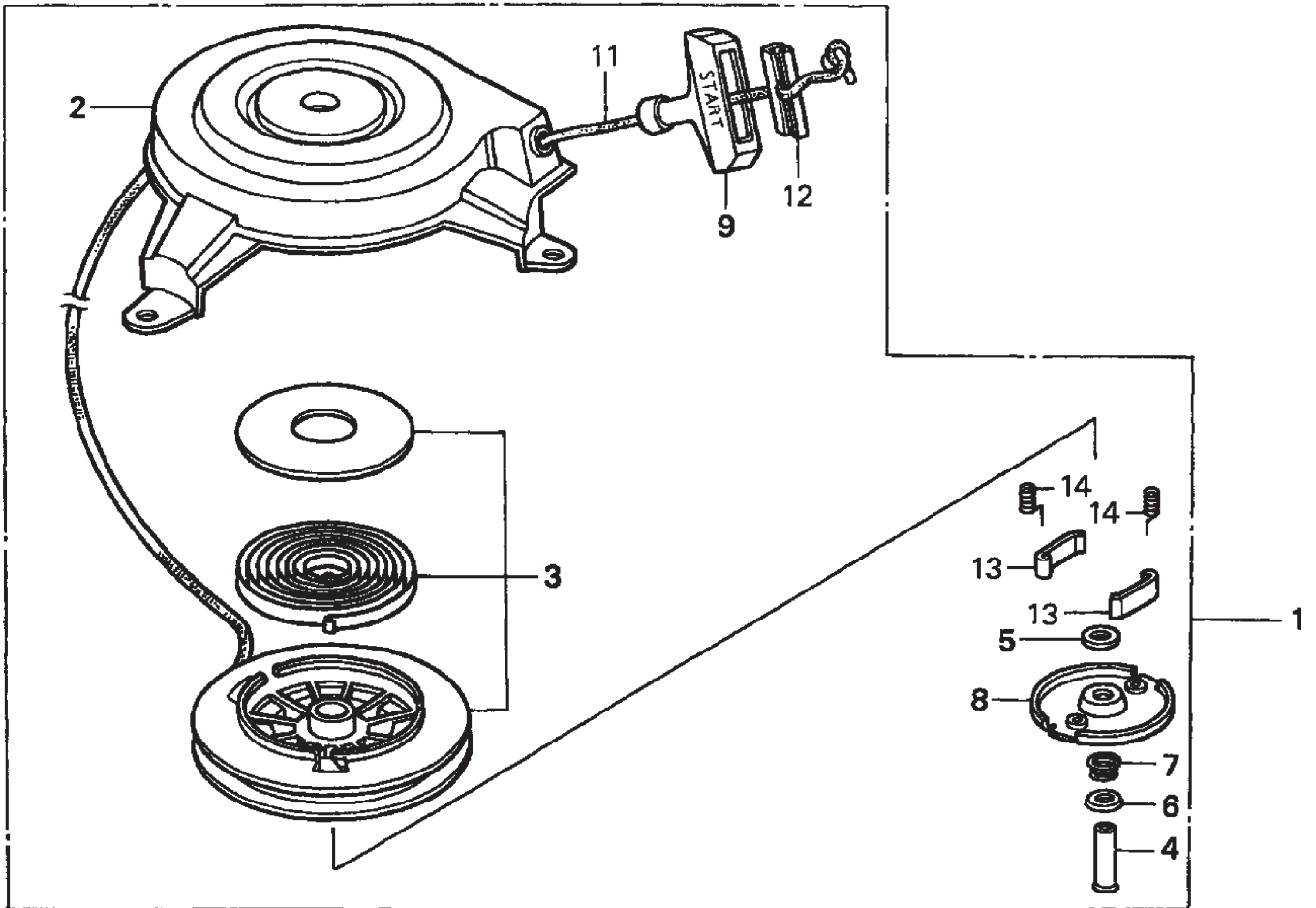
Camshaft Assembly Honda GXV160K1 A12

Ref. No.	Part No.	Qty.	Description
1	14100-ZE7-000	1	Camshaft Assy.
2	144100-ZE1-010	2	Rod, Push
3	14431-ZE1-000	2	Arm, Valve Rocker
4	14441-ZE1-010	2	Lifter, Valve
5	14451-ZE1-013	2	Pivot, Rocker Arm
6	14568-ZE1-000	1	Spring, Weight Return
7	14711-ZF1-000	1	Valve, In.
8	14721-ZE7-000	1	Valve, Ex.
9	14751-ZE1-000	2	Spring, Valve
10	14771-ZE1-000	2	Retainer, In. Valve Spring
11	14791-ZE1-010	1	Plate, Push Rod Guide
12	90012-ZE0-010	2	Bolt, Pivot (8MM)
13	90206-ZE1-000	2	Nut, Pivot ADJ
14	12209-ZE6-003	1	Seal, Valve Stem

Ref. No.	Part No.	Qty.	Description

PROTOTYPE

Obtain Parts From Honda

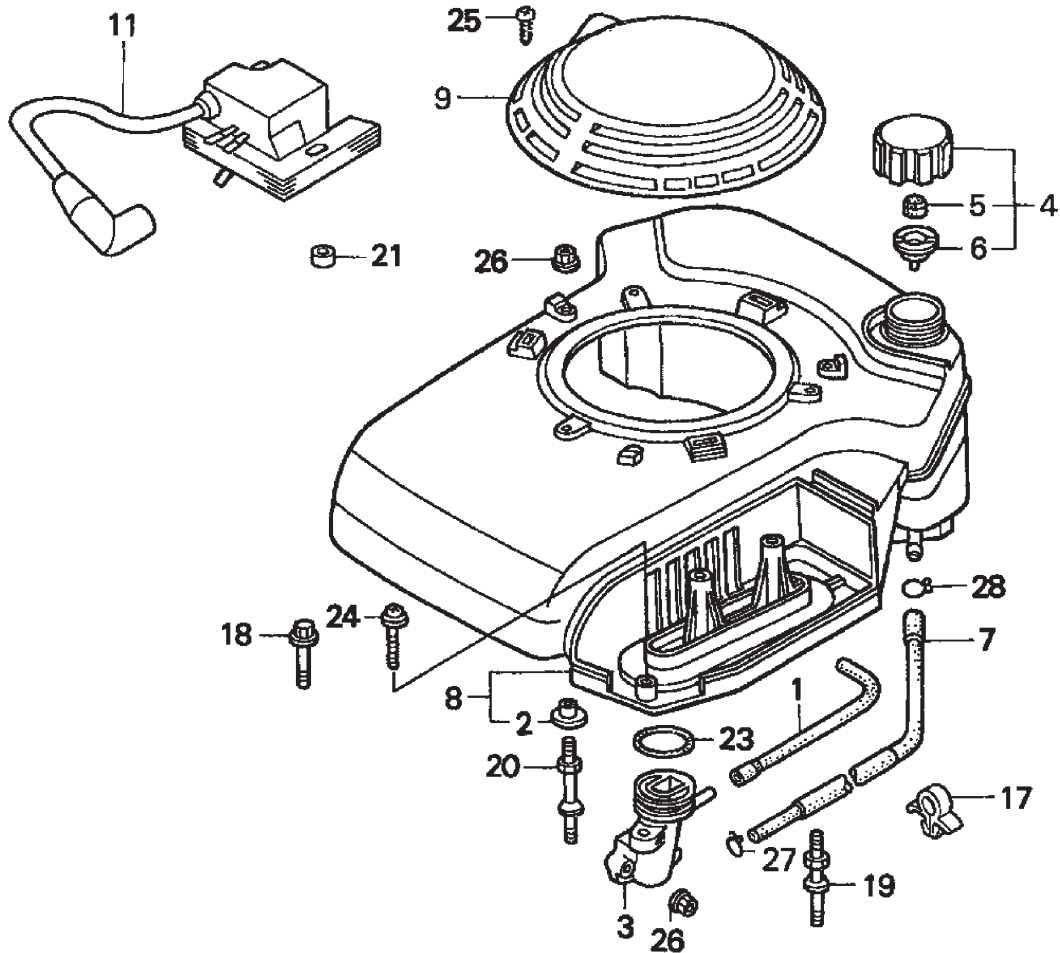


Recoil Starter Assembly Honda GXV160K1 A12

Ref. No.	Part No.	Qty.	Description
1	28400-ZG9-803	1	Starter Assy., Recoil
2	28402-ZG9-802	1	Housing Assy.
3	28415-ZG9-802	1	Pulley and Spring Assy.
4	28419-ZG9-802	1	Pin, Center
5	28431-ZG9-802	1	Plate A, Friction
6	28432-ZG9-802	1	Plate B, Friction
7	28441-ZG9-802	1	Spring, Friction
8	28444-ZG9-802	1	Retainer
9	28461-ZE6-T02	1	Handle
11	28462-ZG9-802	1	Rope, Recoil Starter (#4X85")
12	28463-ZE6-T02	1	Handle, Reinforcement
13	28485-ZE6-T02	2	Ratchet, Starter
14	28486-ZE6-T02	2	Spring, Dog

Ref. No.	Part No.	Qty.	Description

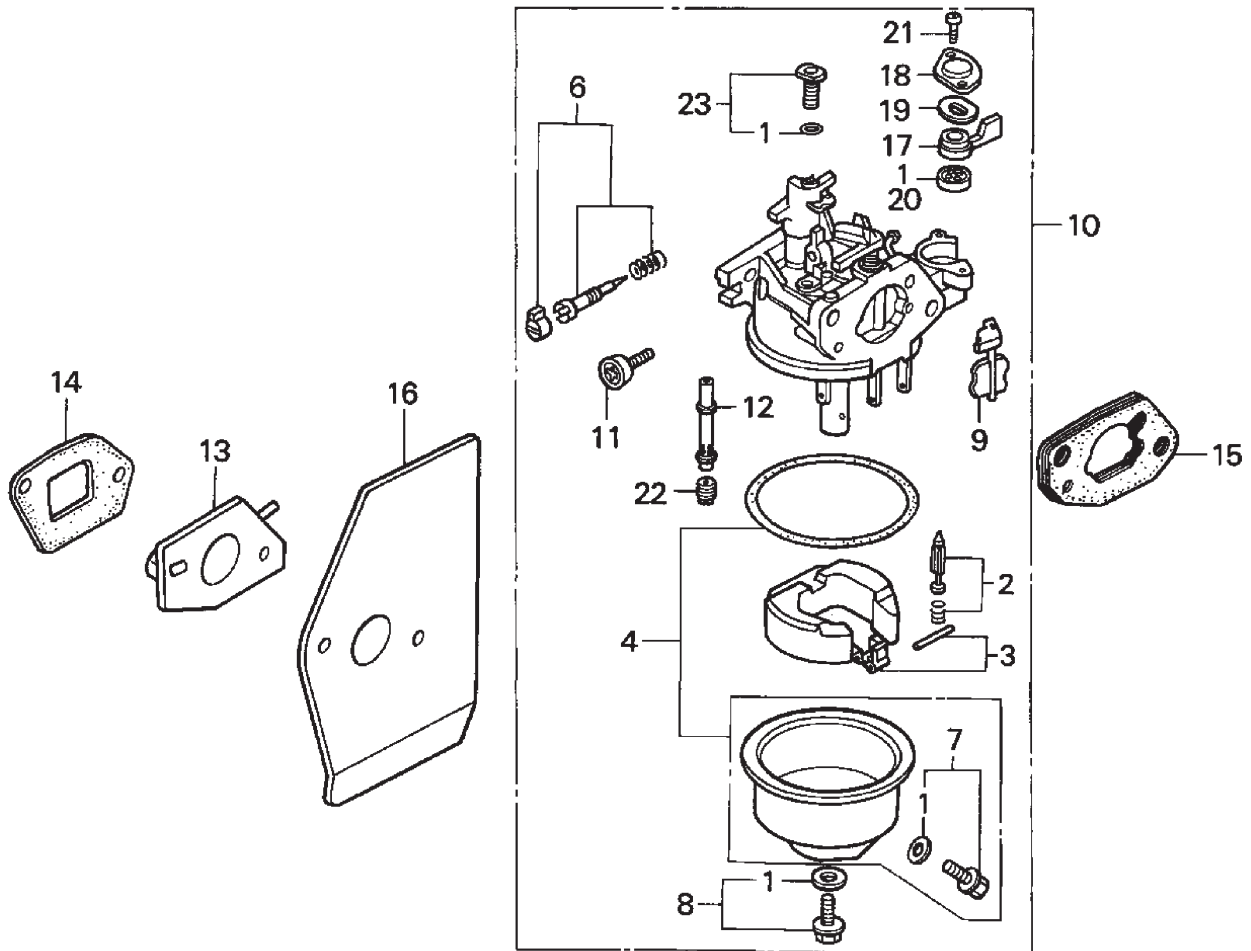
Obtain Parts From Honda



Fan Cover Assembly Honda GXV160K1 A12

Ref. No.	Part No.	Qty.	Description	Ref. No.	Part No.	Qty.	Description
1	15721-ZE7-000	1	Tube, Breather	23	91301-ZG9-800	1	O-Ring (33.3X3.5)
2	17216-PE2-003	3	Collar, Air Cleaner	24	93891-06035-10	1	Screw-Washer (6X35)
3	17410-ZE7-W00	1	Elbow, Air Cleaner	25	93913-24580	1	Screw, Tapping (4X20)
4	17620-ZE7-000	1	Cap Assy., Fuel Tank	26	94050-06000	5	Nut, Flange (6MM)
5	17622-888-010	1	Sponge, Fuel Cap	27	95002-02080	1	Clip, Tube (B8)
6	17624-ZE7-000	1	Gasket, Fuel Cap	28	95002-02100	1	Clip, Tube (B10)
7	17700-ZE7-W00	1	Tube Assy., Fuel Tank				(engine serial number up to 6149216)
8	19610-ZE7-W1 1ZA	1	Cover, Fan *NH* (Brake)(Black)	95002-50000	1	Clip, Tube (C9)	(engine serial number from 6149217)
	19610-ZE7-W1 1ZB	1	Cover, Fan *R8* (Brake) (Bright Red)				
9	19615-ZG9-801ZA	1	Hood, Fan Cover *NH1* (Black)				
	19615-ZG9-801ZB	1	Hood, Fan Cover *R8* (Bright Red)				
11	30500-ZG9-801	1	Coil Assy., Ignition				
16	36103-ZE1-000	1	Holder, Stop Switch Wire				
17	46392-SC2-003	1	Clamp, Brake Pipe				
18	90015-883-000	1	Bolt, Flange (6X28)				
19	90041-ZE7-W10	2	Bolt, Stud (Brake)				
20	90042-ZE7-W00	1	Bolt, Stud (IGN COIL)				
21	90402-ZE7-W00	2	Collar, Special				

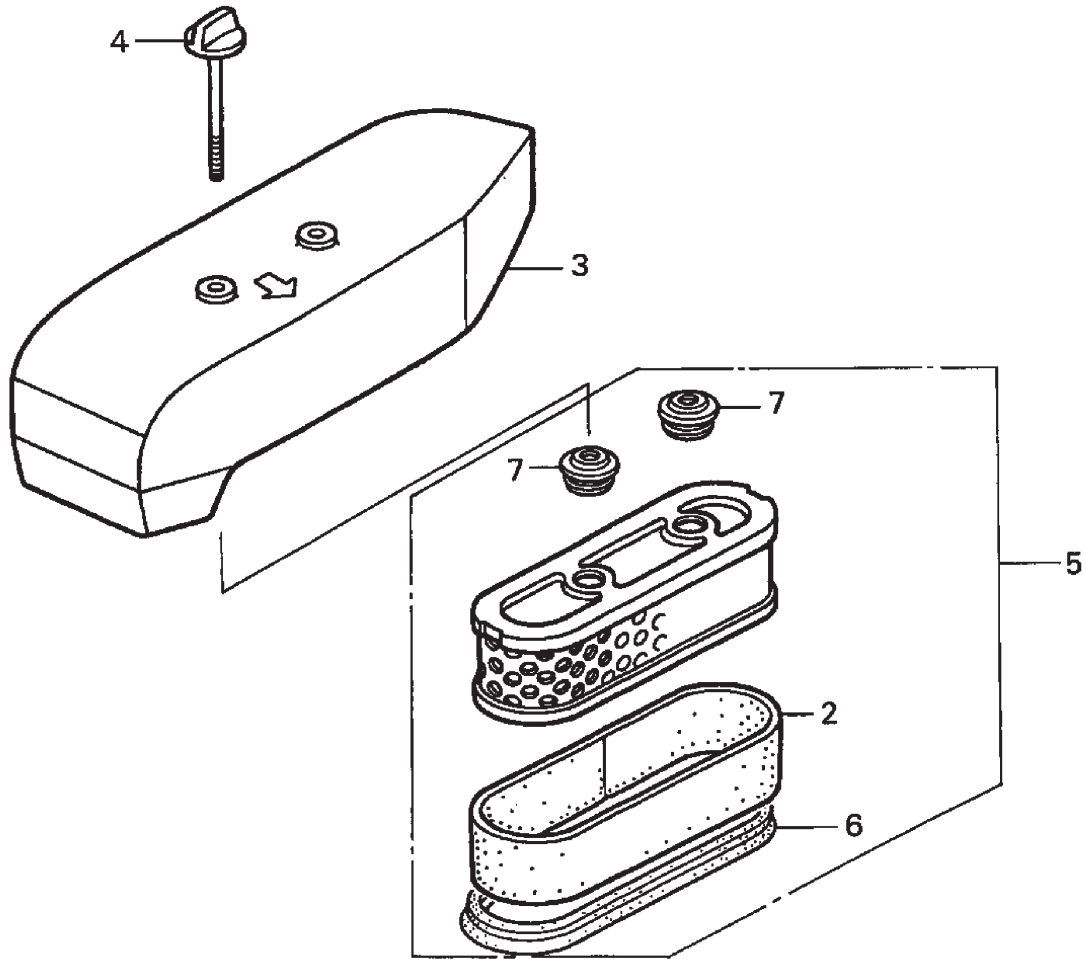
Obtain Parts From Honda



Carburetor Assembly Honda GXV160K1 A12

Ref. No.	Part No.	Qty.	Description	Ref. No.	Part No.	Qty.	Description
1	16010-ZE0-025	1	Gasket, Set		16953-ZE1-812	1	Lever, Valve (engine serial number from BE66C B)
2	16011-ZE0-005	1	Valve Set, Float		16954-ZE1-81 1	1	Plate, Lever Setting (engine serial number up to BE66C A)
3	16013-ZE0-005	1	Float Set	18	16954-ZE1-81 1	1	Plate, Lever Setting (engine serial number up to BE66C A)
4	16015-ZE0-831	1	Chamber Set, Float		16954-ZE1-812	1	Plate, Lever Setting (engine serial number from BE66C B)
6	16016-ZH7-W01	1	Screw Set	19	16956-ZE1-81 1	1	Spring, Valve Lever
7	16024-ZE1-81 1	1	Screw Set, Drain	20	16957-ZE1-812	1	Gasket, Valve
8	16028-ZE0-005	1	Screw Set B	21	93500-03006	2	Screw, Pan (3X6) (engine serial number from BE66C B)
9	16045-ZE7-005	1	Choke Set		93500-03008	2	Screw, Pan (3X8) (engine serial number up to BE66C A)
10	16100-ZE7-W21	1	Carburetor Assy. (BE66C B)	22	99101-ZH8-0600	1	Jet, Main (#60)
11	16124-ZE0-005	1	Screw, Throttle Stop		99101-ZH8-0620	1	Jet, Main (#62)
12	16166-ZE7-W10	1	Nozzle, Main		99101-ZH8-0650	1	Jet, Main (#65)
13	16211-ZE7-000	1	Insulator, Carburetor	23	99204-ZE0-0350	1	Jet Set, Pilot (#35)
14	16212-ZE7-M10	1	Gasket, Insulator				
15	16220-ZE6-010	1	Spacer, Carburetor				
16	16221-ZE7-M1 1	1	Gasket, Carburetor				
17	16953-ZE1-406	1	Lever, Valve (engine serial number up to BE66C A)				
	16953-ZE1-81 1	1	Lever, Valve (engine serial number up to BE66C A)				

Obtain Parts From Honda

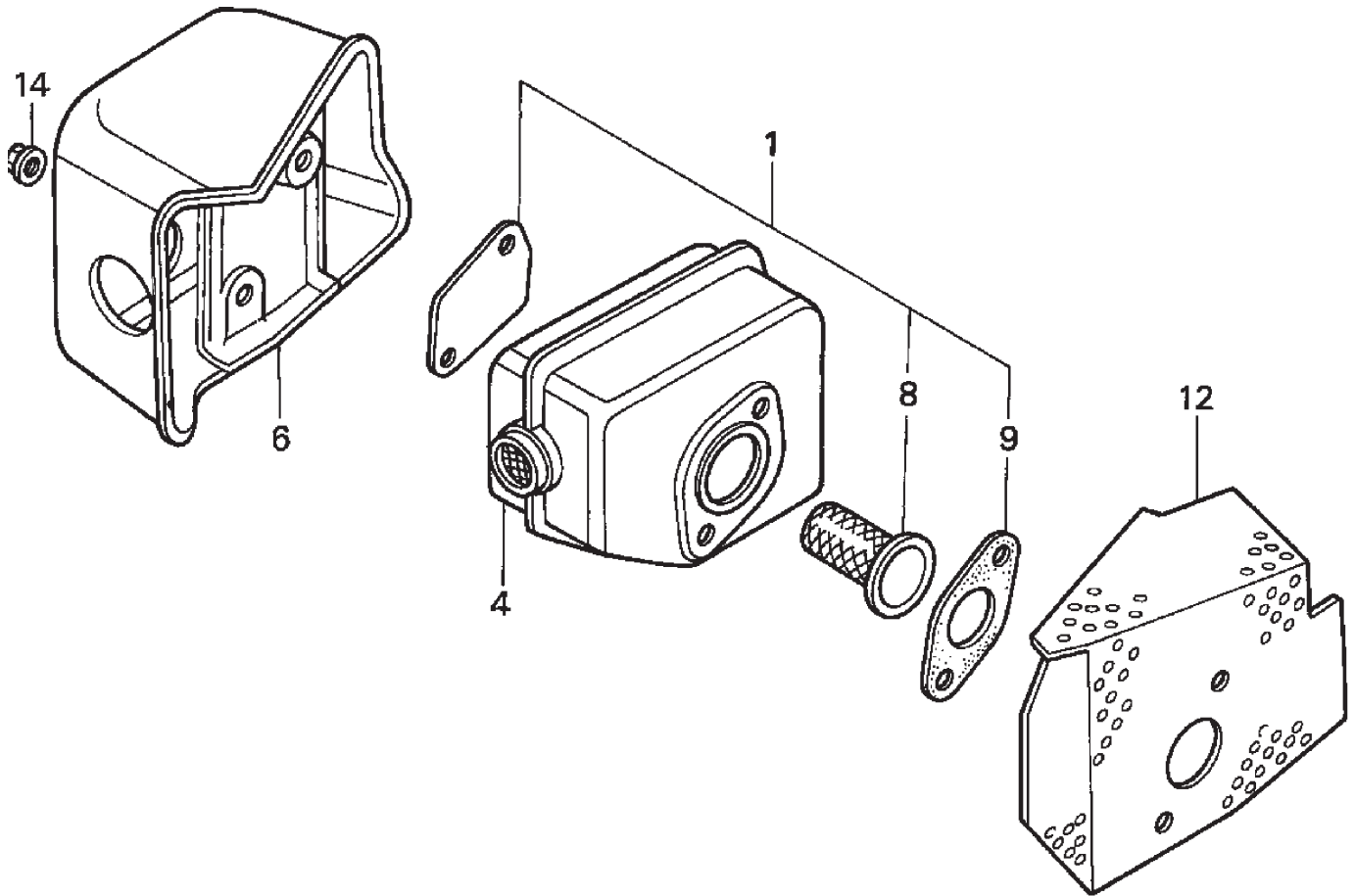


Air Cleaner Assembly Honda GXV160K1 A12

Ref. No.	Part No.	Qty.	Description	Ref. No.	Part No.	Qty.	Description
2	17218-ZE7-W02	1	Filter (Outer)				
3	17231-ZE7-W00ZA	1	Cover, Air Cleaner *NH1* (Black)				
4	90004-ZE7-W00	2	Bolt, Air Cleaner (6X73)				
5	17211-ZE7-W03	1	Element, Air Cleaner (TOUYOU)				
6	17217-ZE7-W00	1	Gasket, Element				
7	17232-ZE7-W00	2	Grommet, Air Cleaner				

PROTOTYPE

Obtain Parts From Honda



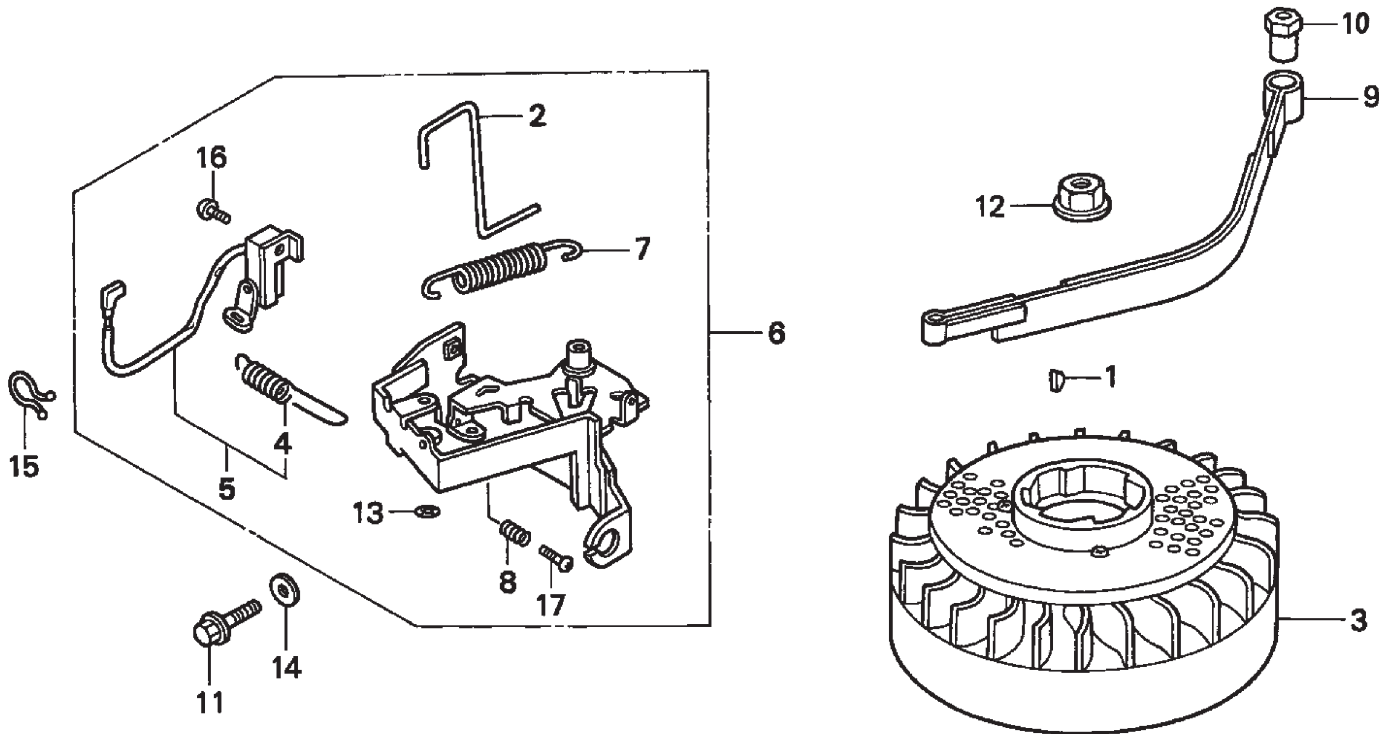
Muffler Assembly Honda GXV160K1 A12

Ref. No.	Part No.	Qty.	Description
1	06180-ZE6-820	1	Arrester, Spark
4	18310-ZG9-J01	1	Muffler
6	18320-ZG9-M01	1	Protector, Muffler
8	06180-888-505	1	Arrester Kit, Spark
	06180-888-810	1	Arrester Kit, Spark
9	18381-ZE6-820	1	Gasket, Muffler
12	18381-ZG9-M00	1	Gasket, Muffler
14	90343-ZE6-000	2	Nut, Self-Lock (6MM)

Ref. No.	Part No.	Qty.	Description

PROTOTYPE

Obtain Parts From Honda



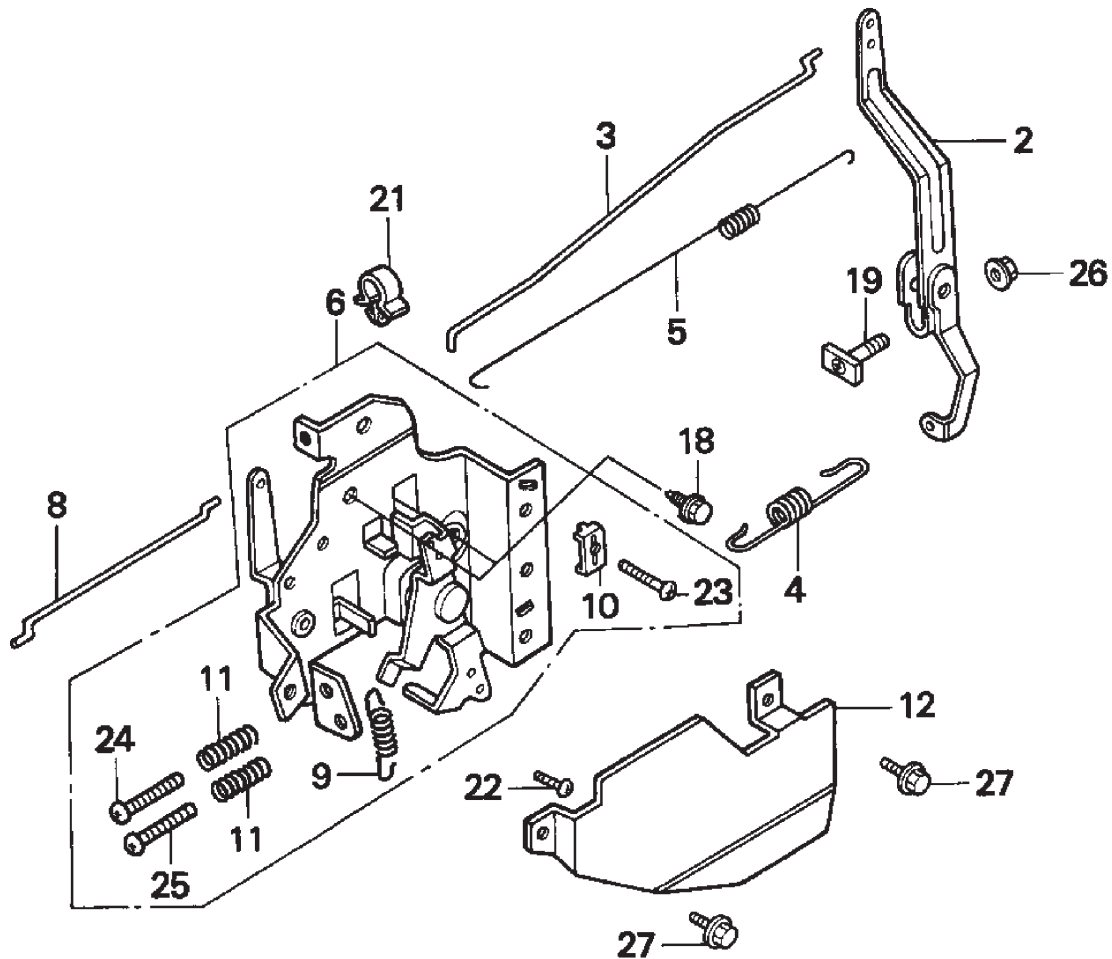
Flywheel Assembly Honda GXV160K1 A12

Ref. No.	Part No.	Qty.	Description
1	13331-357-000	1	Key, Special Woodruff (25X18)
2	16566-ZE7-W00	1	Rod, Governor Arm Return
3	31105-ZE7-W00	1	Flywheel Assy.
4	35129-ZG9-800	1	Spring, Switch Control
5	36100-ZE7-W01	1	Switch Assy., Engine Stop
6	75101-ZE7-W00	1	Lever Assy., Brake
7	75113-ZG9-800	1	Spring, Brake Lever
8	75114-ZG9-800	1	Spring, Brake Adjusting
9	75120-ZG9-305	1	Brake
10	75123-ZG9-800	1	Collar, Brake Shaft
11	90014-952-000	1	Bolt, Flange (6X14)
12	90201-878-003	1	Nut, Special (14MM)
13	90310-ZB7-701	1	Nut, Push (2.6)
14	90461-357-000	1	Washer, Sealing (6.5X12)
15	90630-ZE7-W01	1	Clip, Purse Lock
16	93500-04008-0A	1	Screw, Pan (4X8)
17	93500-05012-0A	1	Screw, Pan (5X12)

Ref. No.	Part No.	Qty.	Description

PROTOTYPE

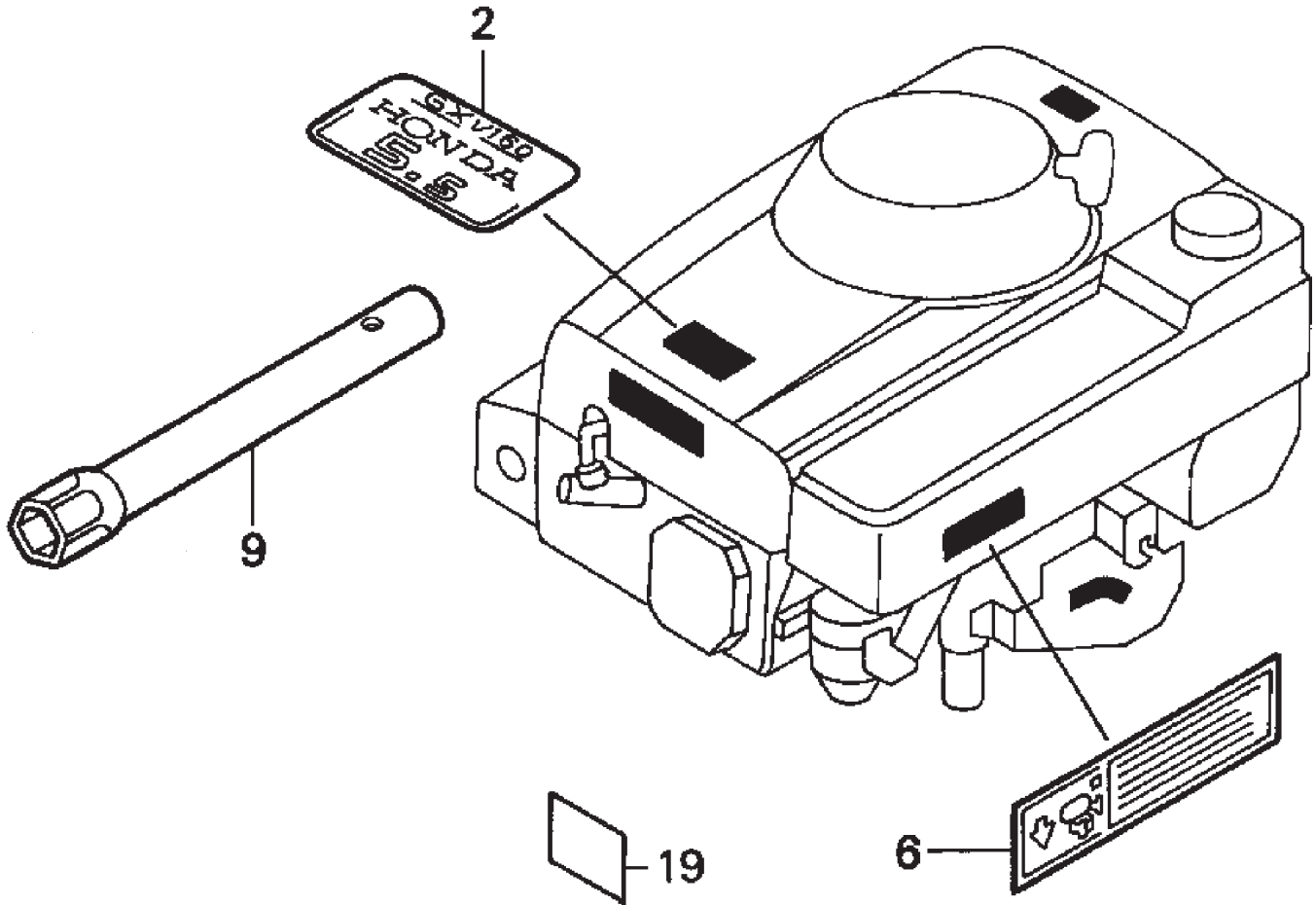
Obtain Parts From Honda



Control Assembly Honda GXV160K1 A12

Ref. No.	Part No.	Qty.	Description	Ref. No.	Part No.	Qty.	Description
2	16551-ZE7-000	1	Arm, Governor				
3	16555-ZE7-000	1	Rod, Governor				
4	16561-ZE7-020	1	Spring, Governor (STD)				
5	16562-ZE6-000	1	Spring, Throttle Return				
6	16570-ZE7-020	1	Control Assy.				
8	16573-ZE7-000	1	Rod, Choke				
9	16576-ZE7-300	1	Spring, Lever				
10	16576-891-000	1	Holder, Cable				
11	16584-883-300	2	Spring, Control Adjusting				
12	16585-ZE7-000	1	Protector, Control				
18	90013-883-000	2	Bolt, Flange (6X12) (CT200)				
19	90015-ZE5-010	1	Bolt, Governor Arm				
21	90659-680-013	1	Clip, Wire Harness				
22	93500-04008-0A	1	Screw, Pan (4X8)				
23	93500-05016-0A	1	Screw, Pan (5X16)				
24	93500-05020-0A	1	Screw, Pan (5X20)				
25	93500-05028-0A	1	Screw, Pan (5X28)				
26	94050-06000	1	Nut, Flange (6MM)				
27	95701-06010-00	1	Bolt, Flange (6X10)				

Obtain Parts From Honda



Label Assembly and Gasket Kits Honda GXV160K1 A12

Ref. No.	Part No.	Qty.	Description	Ref. No.	Part No.	Qty.	Description
2	87101-ZE7-W12	1	Mark, Emblem (5.5) (ES) engine s/n up to 6154807				
	87101-ZE7-W30	1	Mark, Emblem (5.5) (AH) engine s/n from 6154808				
6	87531-ZG9-800	1	Mark, Honda				
9	99004-21003	1	Wrench, Box (P21)				
19	87601-ZE7-W30	1	Mark, Type (A12)				
*	061A1-ZE7-801	1	Gasket Kit				
*	06111-ZE7-406	1	Gasket Kit				

* Not illustrated
Obtain Parts From Honda



PROTOTYPE