



Count on it.

Parts Catalog

TimeCutter® ZX 4275T

Riding Mower

Model No. 74679—Serial No. 40000000 and Up



Ordering Replacement Parts

To order replacement parts, please supply the part number, the quantity, and the description of each part desired.

Understanding Reference Numbers

Each identified part in an illustration has a reference number. The reference number for a part also appears in the parts list, along with other information about the part.

This catalog uses two special reference number formats, one to indicate parts in a service assembly and another to indicate the quantity of a given part in an illustration.

Service Assembly Reference Numbers

Parts in service assemblies have reference numbers in the form a:b. The a represents the reference number of the entire service assembly and the b represents a sequential number unique to each part within the service assembly.

For example, a wheel assembly might be identified by reference number 6, the tire by 6:1, the valve by 6:2, and the wheel by 6:3. When you order the assembly identified by reference number 6, you receive all parts identified by reference numbers 6:1, 6:2, and 6:3. However, you may also order any part individually. Reference numbers of this type appear in illustration and in parts lists.

Reference Numbers Indicating Quantity

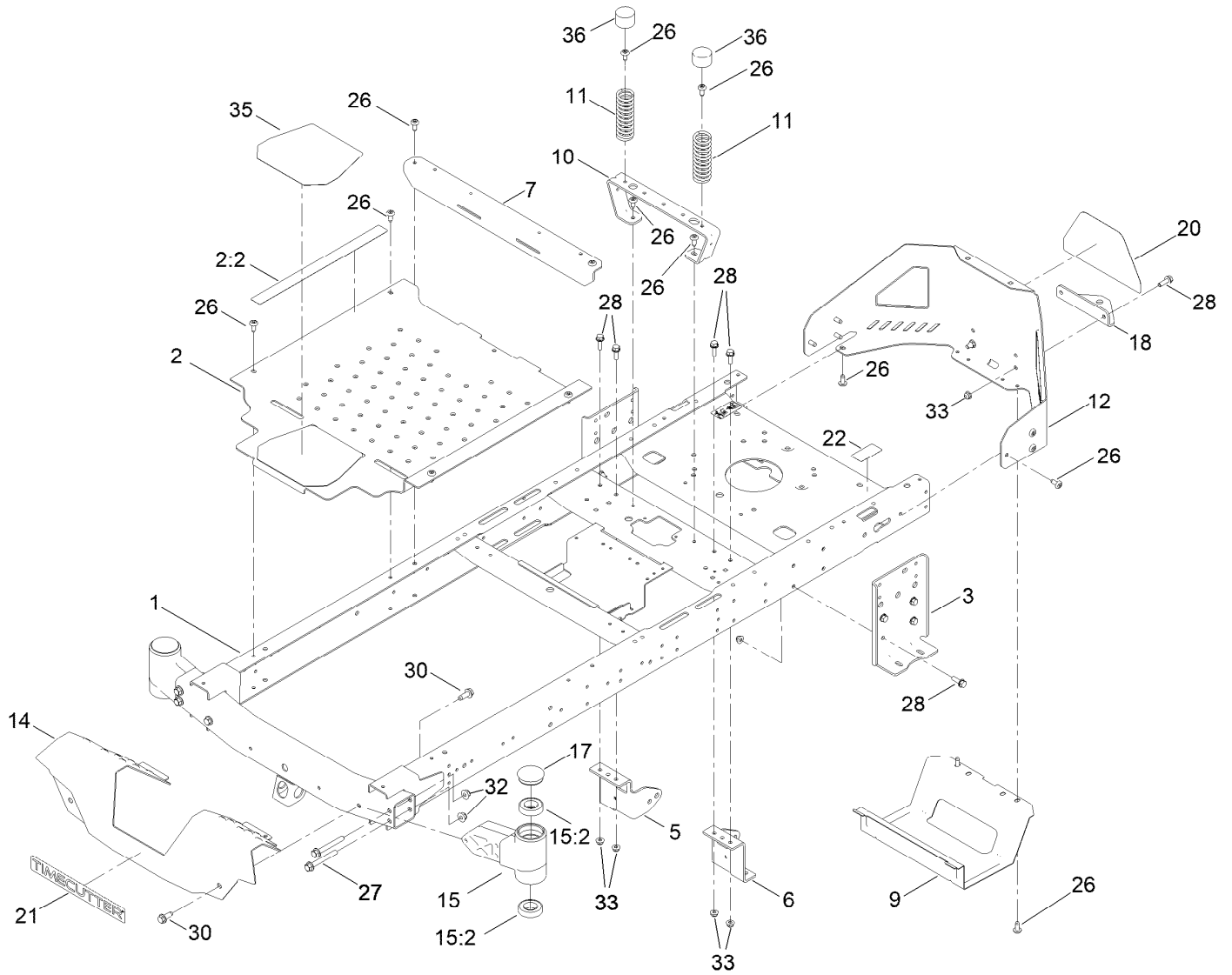
In an illustration, if a reference number indicates more than one part, the reference number has the form nX y. The n represents the quantity of the part, the X is the multiplication symbol, and the y represents the reference number.

For example, in an illustration, the reference number 2X 37 means that two of the parts identified by reference number 37 are indicated.

Contents

Frame Assembly	4
Deck Lift Assembly	6
Tire and Caster Assembly	8
Traction Drive Assembly	10
LH Hydro Transmission Assembly No. 139-7450	12
RH Hydro Transmission Assembly No. 139-7451	14
Brake Assembly	16
Rear Tire Assembly	18
Seat Pan Assembly	20
Seat Assembly No. 147-5157	22
Motion Control Assembly	24
Engine and Muffler Assembly	26
Fuel and Body Styling Assembly	28
Electrical Assembly	30
42in Deck and Decal Assembly	32
Shield Assembly	34
Clutch Assembly	36
Attachments and Accessories	38

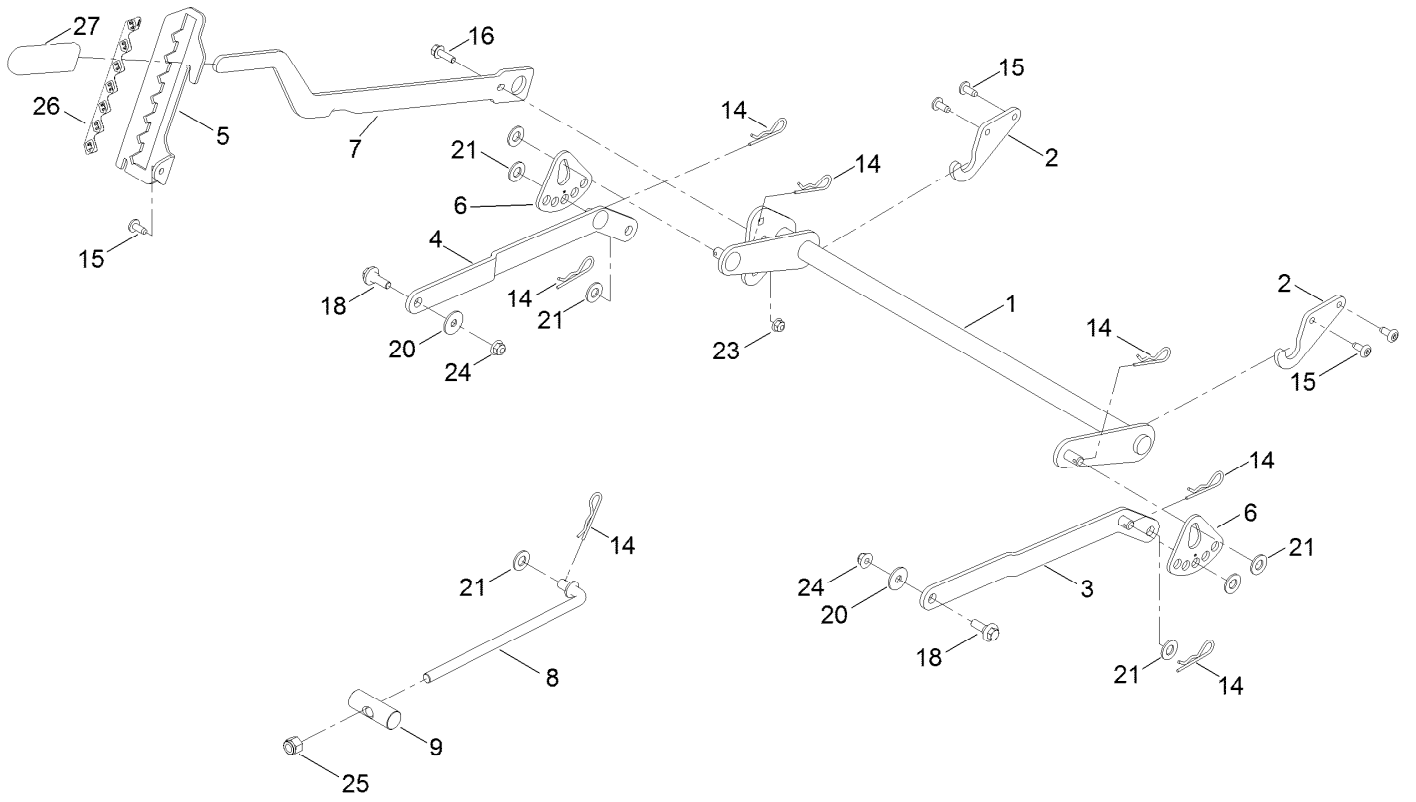
Frame Assembly



Frame Assembly (continued)

<i>Ref.</i>	<i>Part Number</i>	<i>Qty.</i>	<i>Description</i>	<i>Ref.</i>	<i>Part Number</i>	<i>Qty.</i>	<i>Description</i>
1	137-9820-01	1	Frame Assembly	17	138-7200	2	Cap-Grease
2	140-5045	1	Pan-Floor ASM	18	117-1232-03	1	Bracket-Hitch
2:2	144-5288	1	Decal-Warning	20	139-5890	1	Decal-Timecutter
3	138-7520-01	2	Plate-Mount, Hydro	21	139-2387	1	Decal-Timecutter
5	137-7020-01	1	Mount-Hydro, Front (Right)	22	121-2989	2	Decal-Bypass
6	139-3211-01	1	Mount-Hydro, Front (Left)	26	138-9753	20	Screw
7	138-9791-01	1	Brace-Cross	27	139-2429	4	Screw-HHF
9	138-0867-03	1	Guard-Muffler	28	139-2596	14	Screw-HHF
10	138-6036-03	1	Support-Seat	30	139-2428	4	Screw-HWH
11	138-2548	2	Spring-Compression	32	139-2430	4	Nut-HF, NI
12	138-9820-03	1	Guard-Engine	33	119-4041	14	Nut-HF
14	138-9827-01	1	Footrest	35	139-3220	1	Tread-Step
15	140-2098	2	Axle Stub ASM	36	701178	2	Cap-Protector
15:2	109-3678	2	Bearing-Ball				

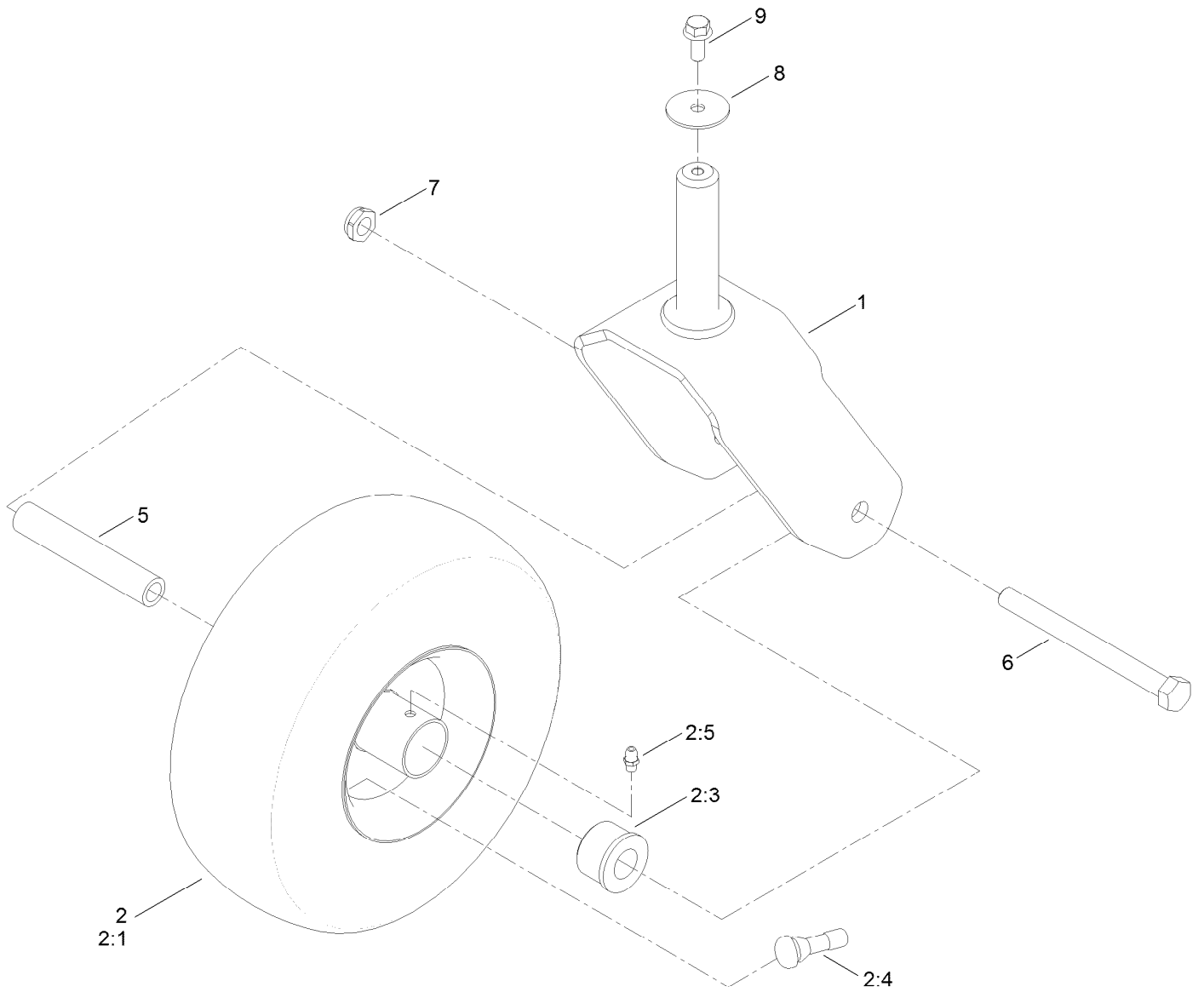
Deck Lift Assembly



Deck Lift Assembly (continued)

<i>Ref.</i>	<i>Part Number</i>	<i>Qty.</i>	<i>Description</i>	<i>Ref.</i>	<i>Part Number</i>	<i>Qty.</i>	<i>Description</i>
1	137-7093-03	1	Deck Lift ASM	15	138-9753	5	Screw
2	138-6021	2	Bracket-Pivot, Decklift	16	139-2596	1	Screw-HHF
3	137-9844	1	LH Arm ASM	18	137-9847	2	Screw-Shoulder
4	137-9846	1	RH Arm ASM	20	140-5063	2	Washer-Hardened, Cz
5	139-2350-01	1	Bracket-HOC	21	139-2611	7	Washer-Flat
6	138-2564	2	Plate-Adjustment, HOC	23	119-4041	1	Nut-HF
7	137-7087-03	1	Lever-Lift	24	119-4042	2	Nut-HF, NI
8	138-6050	1	Rod-Mount, Deck	25	139-1725	1	Nut-Hex
9	119-8810	1	Pin-Pivot	26	140-2748	1	Decal-HOC
14	139-2562	7	Pin-Hair	27	1-633268	1	Grip-Lever

Tire and Caster Assembly



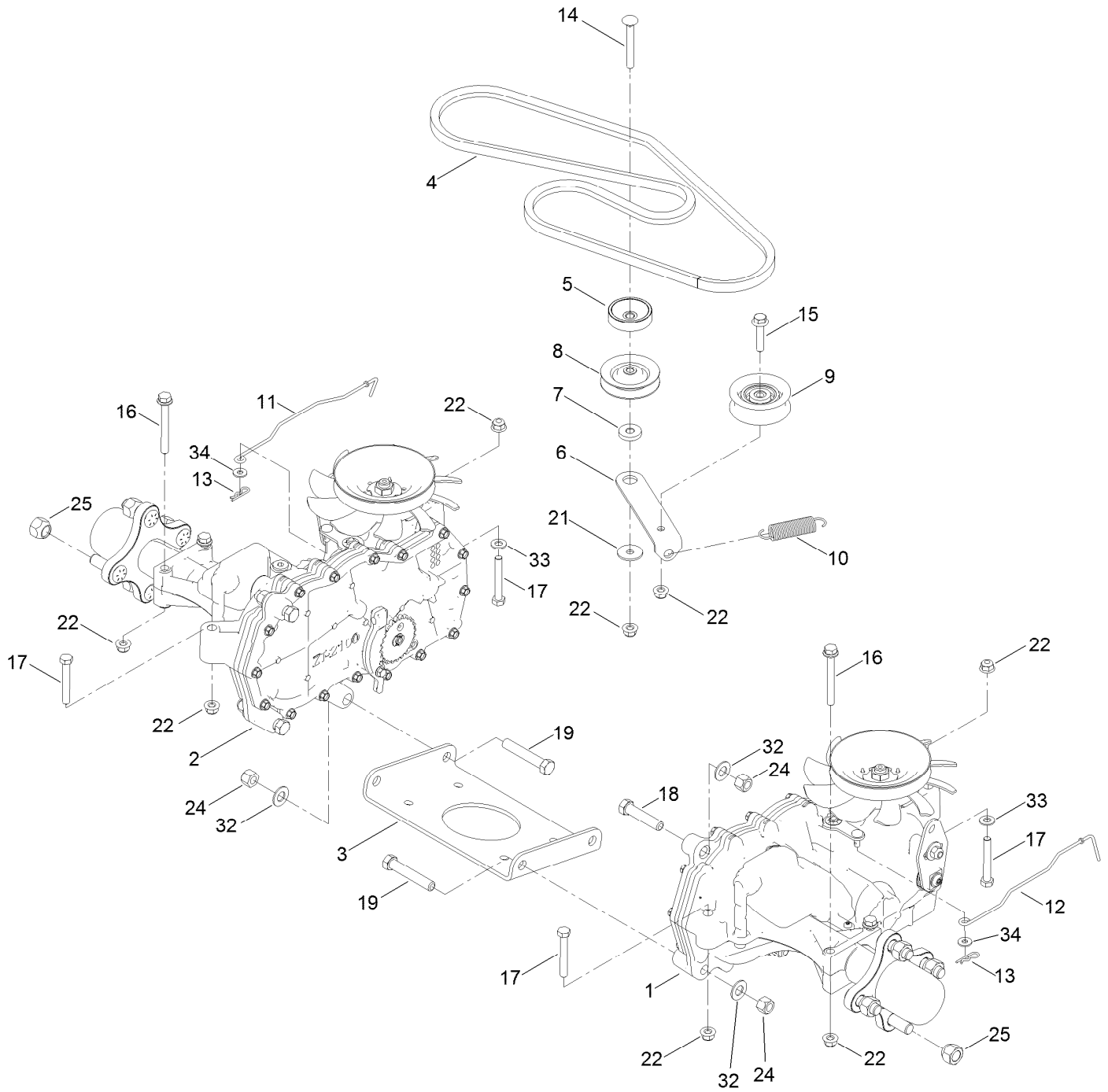
Tire and Caster Assembly (continued)

<i>Ref.</i>	<i>Part Number</i>	<i>Qty.</i>	<i>Description</i>	<i>Ref.</i>	<i>Part Number</i>	<i>Qty.</i>	<i>Description</i>
1	139-3274-01	2	Fork ASM	2:99	105-0844	1	Tube-Inner●■
2	139-5842	2	Tire ASM	5	138-7240	2	Bushing-Spanner
2:1	140-2736	1	Tire	6	139-2607	2	Screw-HH
2:3	114-1640	2	Bushing-Flange	7	139-2617	2	Nut-Lock, NI
2:4	232-27	1	Stem-Valve	8	115-1151	2	Washer-Flat
2:5	302-5	1	Fitting-Grease	9	139-2598	2	Screw-HHF

● Not illustrated

■ Optional Equipment

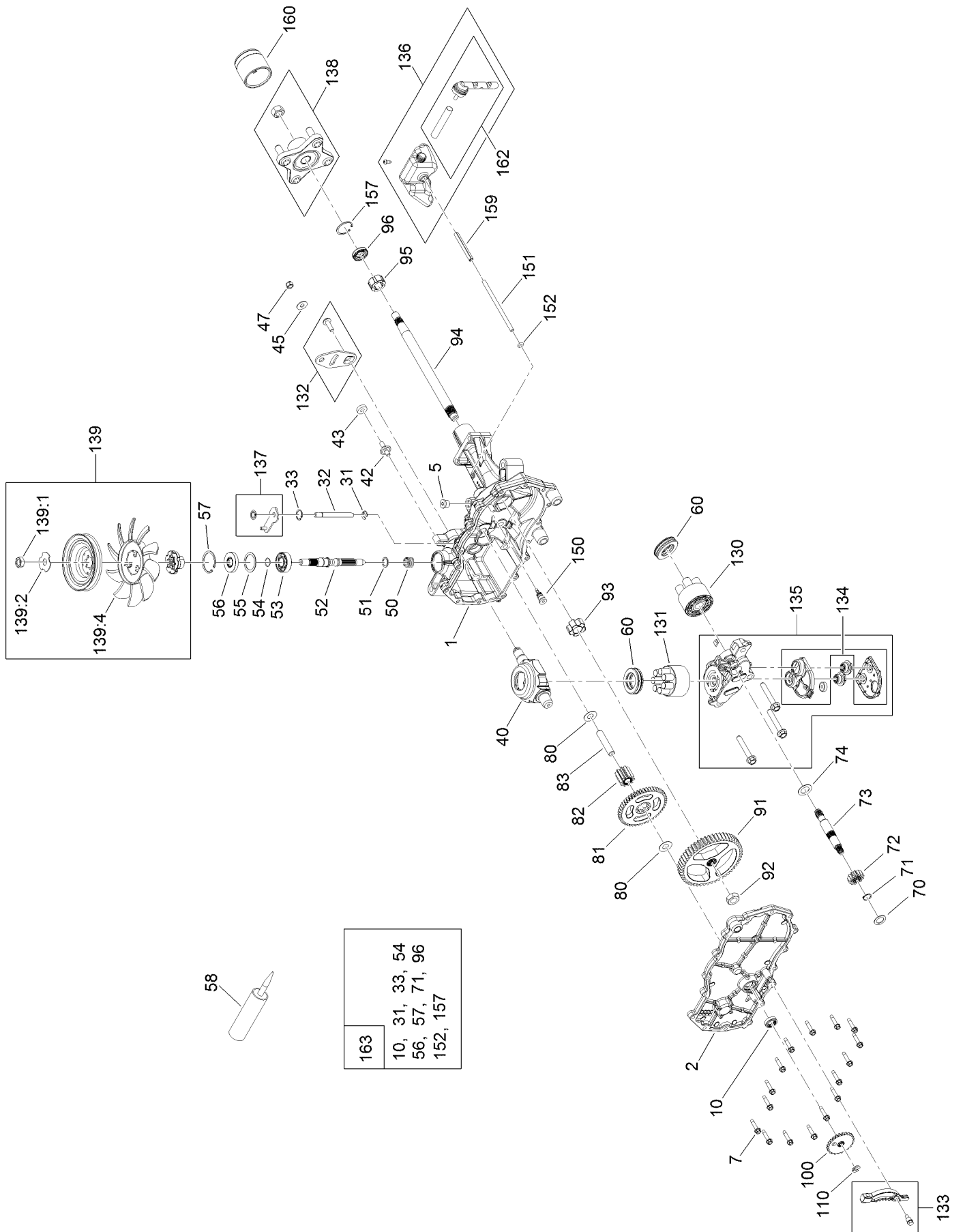
Traction Drive Assembly



Traction Drive Assembly (continued)

<i>Ref.</i>	<i>Part Number</i>	<i>Qty.</i>	<i>Description</i>	<i>Ref.</i>	<i>Part Number</i>	<i>Qty.</i>	<i>Description</i>
1	139-7450	1	LH Hydro Transaxle ASM	14	139-2588	1	Screw-CARR
2	139-7451	1	RH Hydro Transaxle ASM	15	140-5024	1	Screw-HHF
3	138-2571-03	1	Crossplate-Hydro	16	138-7590	4	Screw-HHF
4	139-2399	1	V-Belt	17	120-9738	4	Screw-HH
5	138-9809	1	Spacer	18	139-2605	2	Screw-HH
6	138-7276	1	Arm-Idler	19	139-2603	4	Screw-HH
7	138-7277	1	Spacer-Arm, Idler	21	5-4460	1	Washer-Pivot
8	68-0030	1	Idler	22	119-4041	10	Nut-HF
9	138-7597	1	Pulley-Idler, Flat	24	119-4039	6	Nut-Hex
10	137-7040	1	Spring-Return, Pedal	25	139-2564	8	Nut-Lug
11	138-7245	1	Rod-Bypass, RH	32	139-2610	6	Washer-Flat
12	138-7243	1	Rod-Bypass, LH	33	120-9683	2	Washer-Plain
13	137-3083	2	Pin-Hair	34	119-8952	2	Washer

LH Hydro Transmission Assembly No. 139-7450



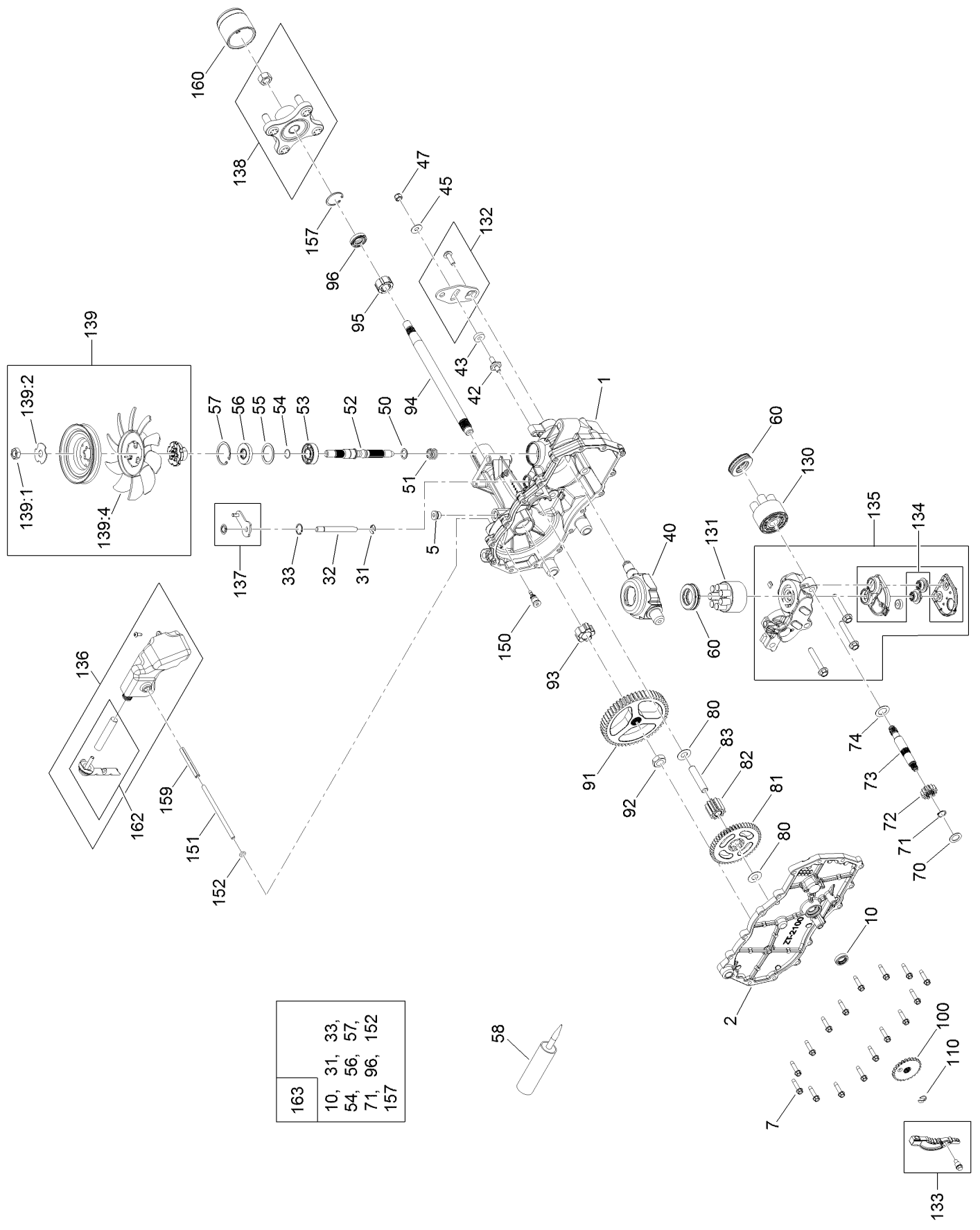
- | |
|----------------|
| 163 |
| 10, 31, 33, 54 |
| 56, 57, 71, 96 |
| 152, 157 |

LH Hydro Transmission Assembly No. 139-7450 (continued)

<i>Ref.</i>	<i>Part Number</i>	<i>Qty.</i>	<i>Description</i>	<i>Ref.</i>	<i>Part Number</i>	<i>Qty.</i>	<i>Description</i>
1	120-5532	1	Main Housing ASM	81	104-5317	1	Gear-10T/48T
2	120-5534	1	Housing Side Kit	82	104-5318	1	Gear-Jackshaft, 10T
5	104-2189	1	Plug-Thread, Straight	83	104-5329	1	Pin-Jackshaft
7	117-5359	16	Screw-HHF	91	120-5539	1	Gear-Bull
10	104-2147	1	Sealant ●	92	104-2142	1	Nut-HJ
31	106-8677	1	Ring-Retaining, External	93	115-8314	1	Bushing-Inboard
32	106-8678	1	Rod-Bypass	94	120-5540	1	Shaft-Axle
33	106-8679	1	Ring-Retaining, Internal	95	120-5541	1	Bearing-Sleeve
40	104-5304	1	Swashplate-Trunnion	100	106-8694	1	Disc-Brake, Cog
42	104-2116	1	Stud	110	106-8677	1	Ring-Retaining, External
43	112-9853	1	Puck-Friction	130	103-2666	1	Cylinder Block Kit
50	133-1793	1	Spring-Block	131	110-8561	1	Pump Block ASM
51	120-5538	1	Washer	132	117-5362	1	Control Arm Kit
52	104-5306	1	Shaft-Input	133	106-8688	1	Brake Arm Kit
53	104-5311	1	Bearing-Ball	134	112-9861	1	Center Section Filter Kit
54	104-5307	1	Ring-Retaining	135	114-1634	1	Filter Kit
55	104-5308	1	Spacer	136	121-5730	1	RH Expansion Tank Kit
56	104-5310	1	Seal-Lip	137	120-5549	1	Bypass Kit
57	104-5309	1	Ring-Retaining	138	121-5731	1	Hub Kit
58	104-2147	1	Sealant	139	135-7349	1	Fan And Pulley Kit
60	94-6922	2	Bearing-Thrust	150	104-5349	1	Fitting-SAE
70	104-5339	1	Washer-Flat	151	115-8302	1	Hose
71	104-5340	1	Ring-Retaining	152	104-5361	1	O-Ring
72	104-5316	1	Gear-Pinnion, 13T	159	121-5728	1	Case-Tube
73	106-8683	1	Shaft-Motor	160	125-0041	1	Cap-Axle
74	104-5360	1	Washer	162	139-3278	1	Breather ASM Kit
80	119-5541	1	Washer	163	120-7103	1	Seal And Ring Kit

● Not illustrated

RH Hydro Transmission Assembly No. 139-7451

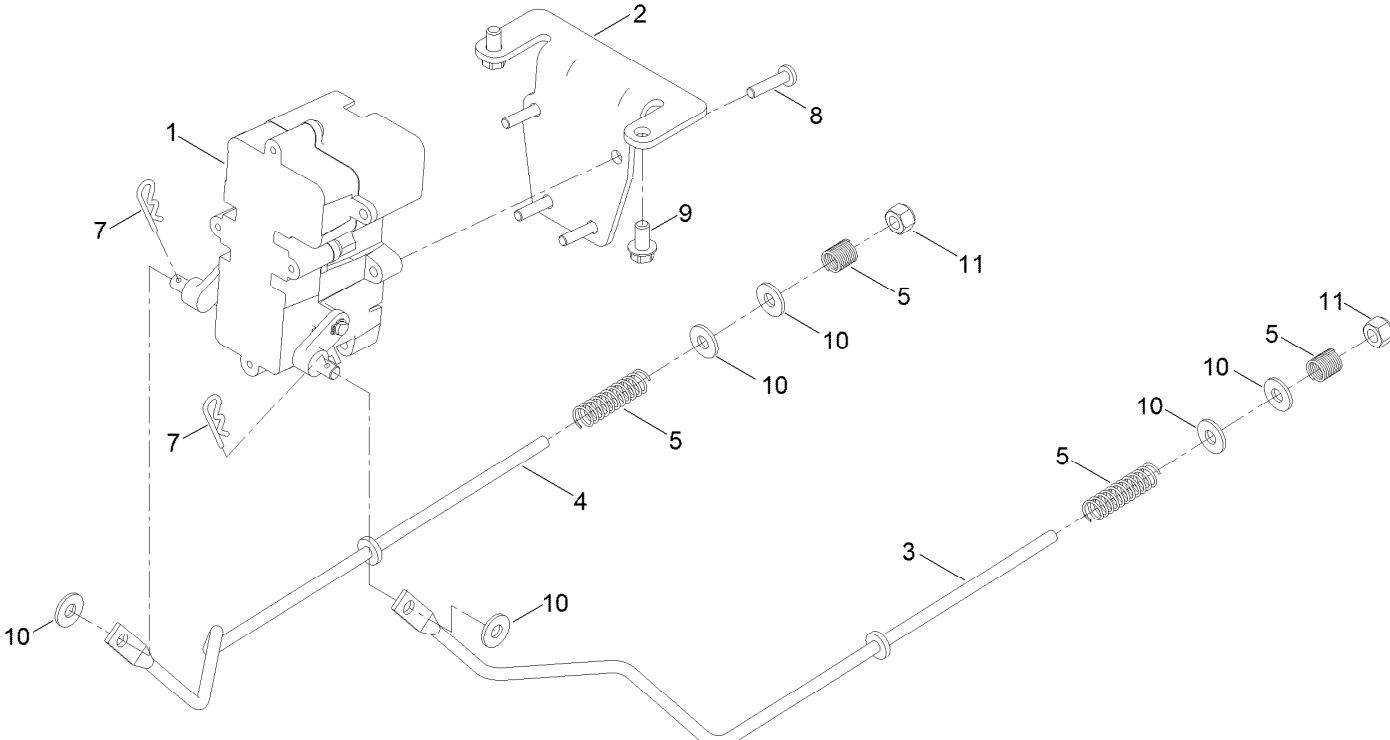


RH Hydro Transmission Assembly No. 139-7451 (continued)

<i>Ref.</i>	<i>Part Number</i>	<i>Qty.</i>	<i>Description</i>	<i>Ref.</i>	<i>Part Number</i>	<i>Qty.</i>	<i>Description</i>
1	120-5531	1	Main Housing ASM	81	104-5317	1	Gear-10T/48T
2	120-5533	1	Housing Side Kit	82	104-5318	1	Gear-Jackshaft, 10T
5	104-2189	1	Plug-Thread, Straight	83	104-5329	1	Pin-Jackshaft
7	117-5359	16	Screw-HHF	91	120-5539	1	Gear-Bull
10	104-2147	1	Sealant ●	92	104-2142	1	Nut-HJ
31	106-8677	2	Ring-Retaining, External	93	115-8314	1	Bushing-Inboard
32	106-8678	1	Rod-Bypass	94	120-5540	1	Shaft-Axle
33	106-8679	1	Ring-Retaining, Internal	95	120-5541	1	Bearing-Sleeve
40	104-5304	1	Swashplate-Trunnion	100	106-8694	1	Disc-Brake, Cog
42	104-2116	1	Stud	110	106-8677	1	Ring-Retaining, External
43	112-9853	1	Puck-Friction	130	103-2666	1	Cylinder Block Kit
51	133-1793	1	Spring-Block	131	110-8561	1	Pump Block ASM
51	120-5538	1	Washer	132	117-5362	1	Control Arm Kit
52	104-5306	1	Shaft-Input	133	106-8688	1	Brake Arm Kit
53	104-5311	1	Bearing-Ball	134	112-9862	1	Center Section Filter Kit
54	104-5307	1	Ring-Retaining	135	114-1634	1	Filter Kit
55	104-5308	1	Spacer	136	121-5735	1	LH Expansion Tank Kit
56	104-5310	1	Seal-Lip	137	107-2489	1	Bypass Arm Kit
57	104-5309	1	Ring-Retaining	138	121-5731	1	Hub Kit
58	104-2147	1	Sealant	139	135-7349	1	Fan And Pulley Kit
60	94-6922	2	Bearing-Thrust	150	104-5349	1	Fitting-SAE
70	104-5339	1	Washer-Flat	151	115-8302	1	Hose
71	104-5340	1	Ring-Retaining	152	104-5361	1	O-Ring
72	104-5316	1	Gear-Pinnion, 13T	159	121-5728	1	Case-Tube
73	106-8683	1	Shaft-Motor	160	125-0041	1	Cap-Axle
74	104-5360	1	Washer	162	139-3278	1	Breather ASM Kit
80	119-5541	1	Washer	163	120-7103	1	Seal And Ring Kit

● Not illustrated

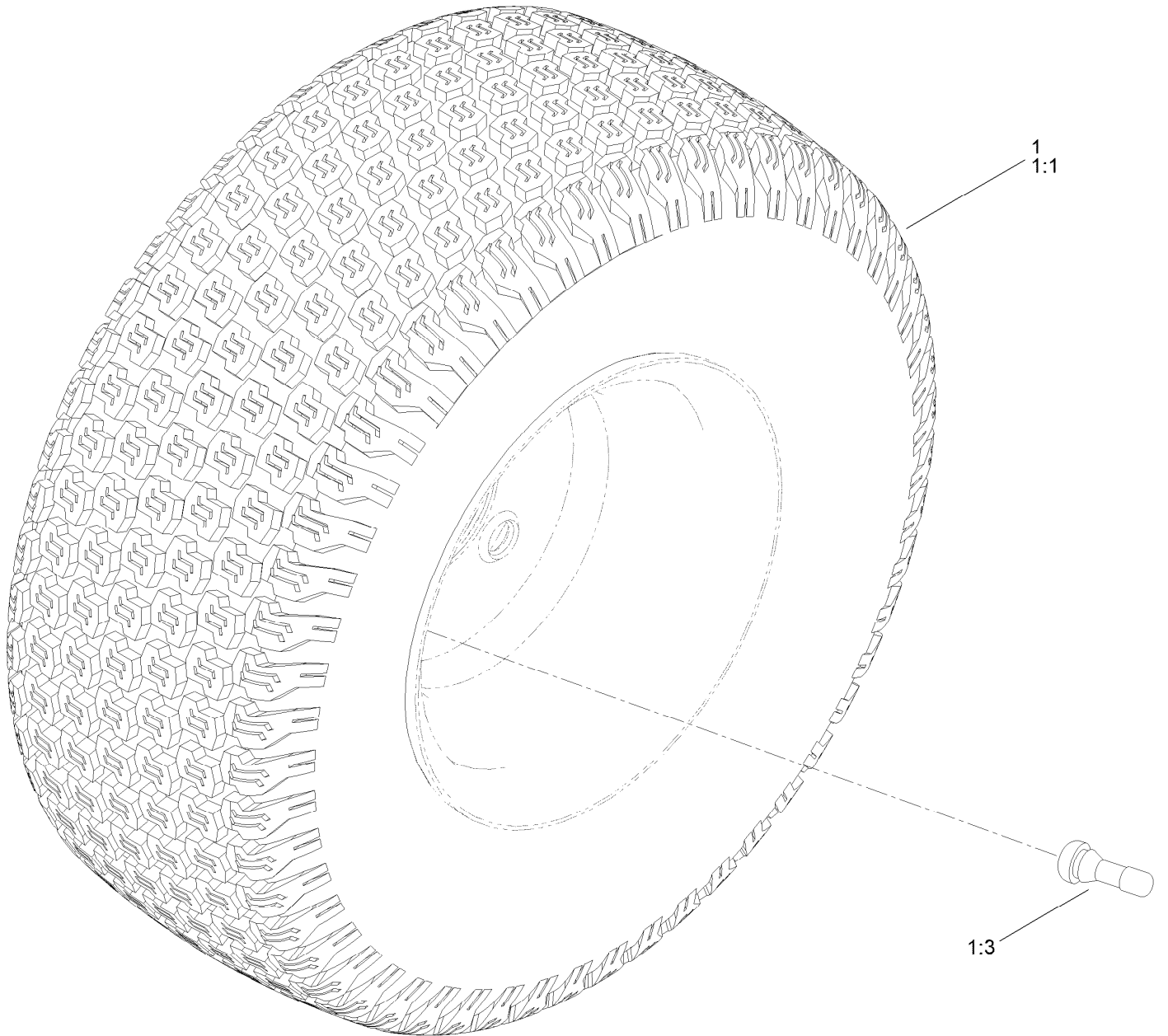
Brake Assembly



Brake Assembly (continued)

<i>Ref.</i>	<i>Part Number</i>	<i>Qty.</i>	<i>Description</i>	<i>Ref.</i>	<i>Part Number</i>	<i>Qty.</i>	<i>Description</i>
1	138-2514	1	Brake Box ASM	7	137-3083	2	Pin-Hair
2	133-9284-03	1	Bracket-Mount, Brake	8	32144-36	4	Screw-PPH
3	138-2591	1	Rod-Brake, LH	9	32144-4	2	Screw-HWH
4	138-2592	1	Rod-Brake, RH	10	119-8952	6	Washer
5	117-1169	4	Spring-Compression	11	137-3088	2	Nut-Hex

Rear Tire Assembly

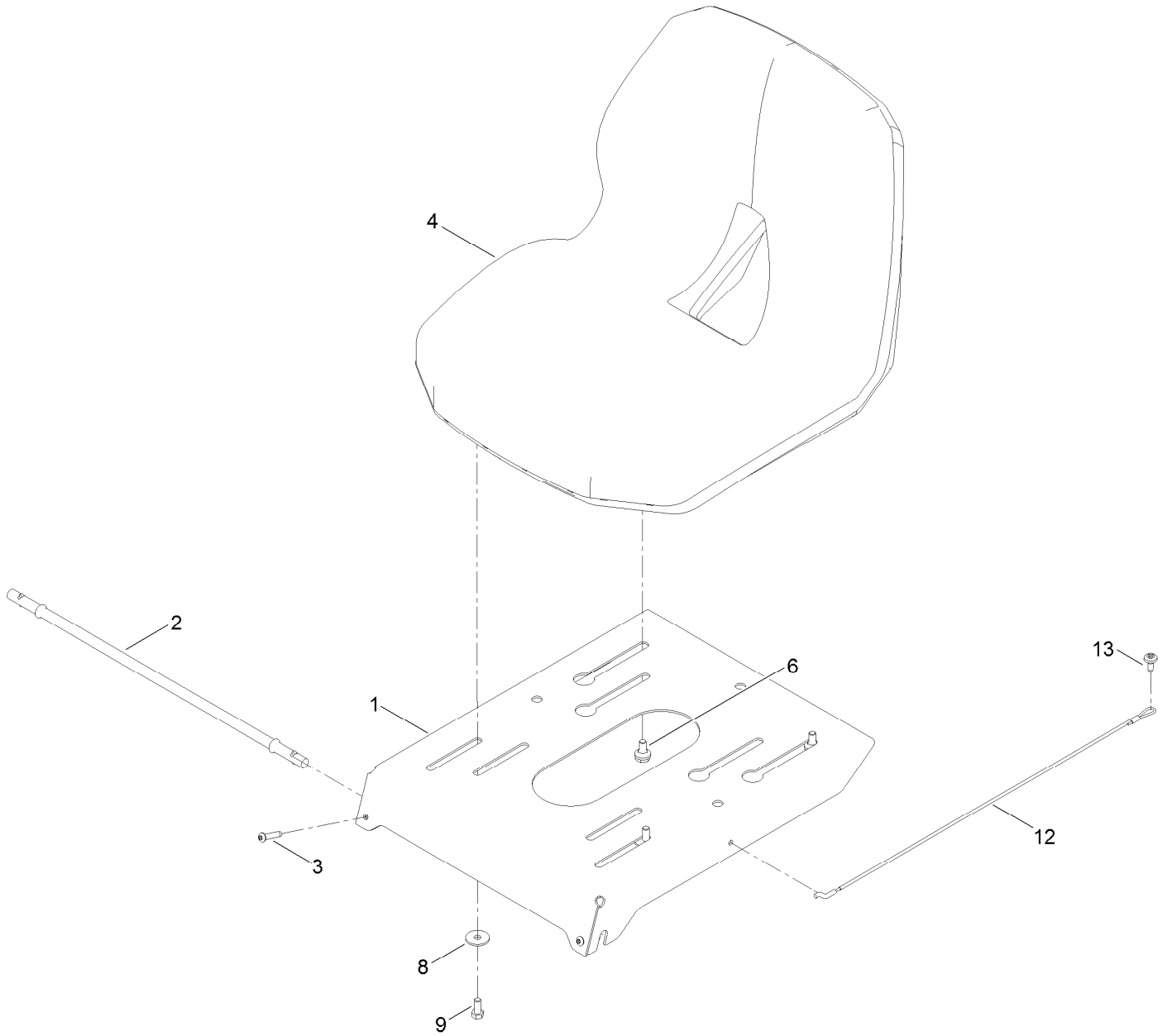


Rear Tire Assembly (continued)

<i>Ref.</i>	<i>Part Number</i>	<i>Qty.</i>	<i>Description</i>	<i>Ref.</i>	<i>Part Number</i>	<i>Qty.</i>	<i>Description</i>
1	139-5846	2	Tire ASM	1:3	232-27	1	Stem-Valve
1:1	140-2729	1	Tire	1:99	107-2491	1	Tube-Tire ●

● Not illustrated

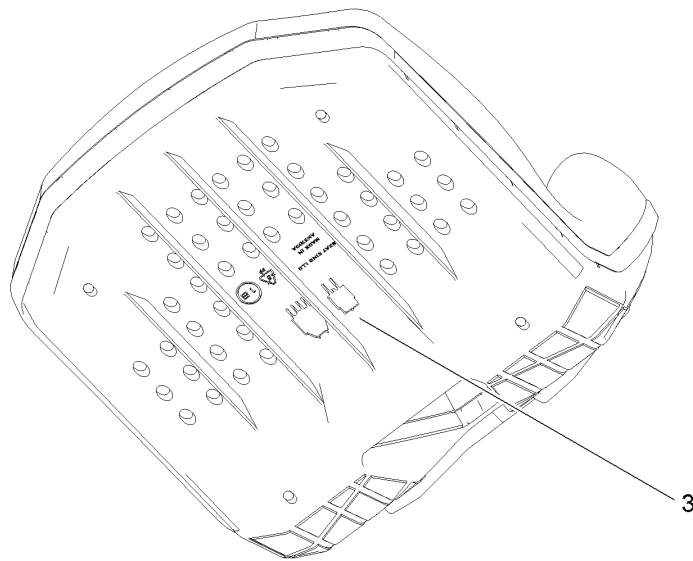
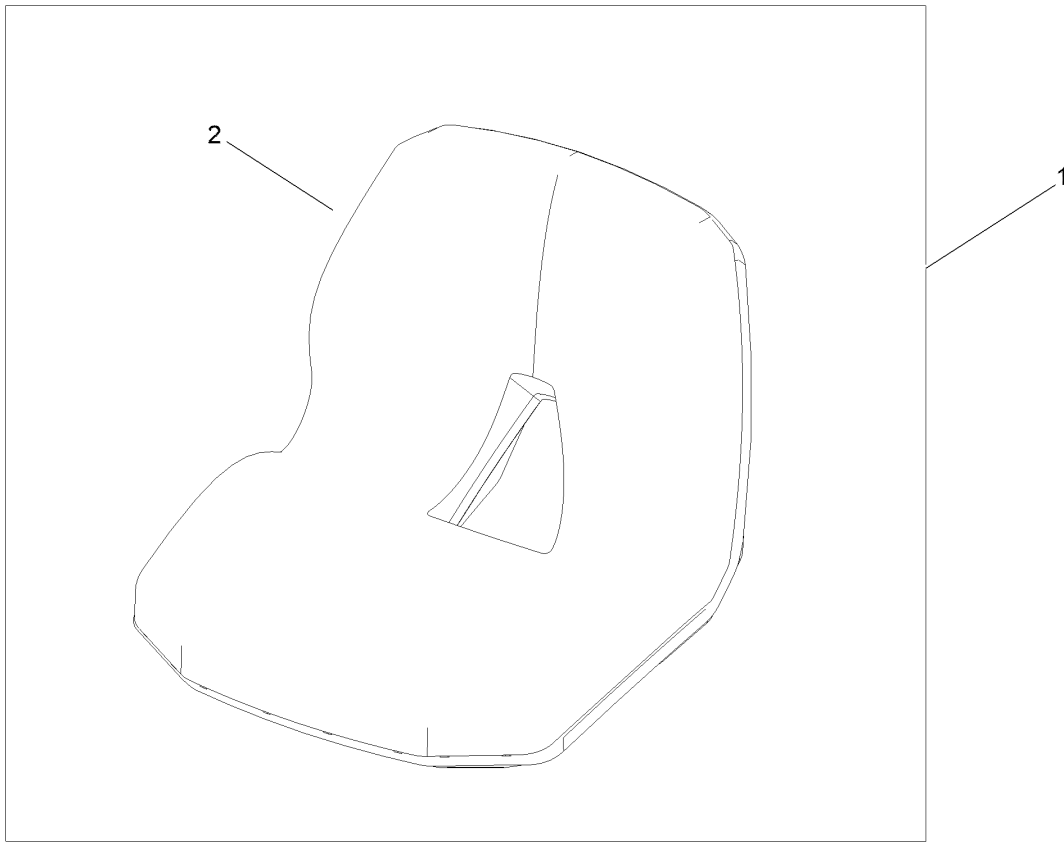
Seat Pan Assembly



Seat Pan Assembly (continued)

<i>Ref.</i>	<i>Part Number</i>	<i>Qty.</i>	<i>Description</i>	<i>Ref.</i>	<i>Part Number</i>	<i>Qty.</i>	<i>Description</i>
1	138-9781-03	1	Pan-Seat	8	5-4460	2	Washer-Pivot
2	138-7555	1	Rod-Pivot	9	137-3052	2	Screw-HH
3	137-3010	2	Screw-BHCS	12	139-2398	1	Cable-Lanyard
4	147-5157	1	Seat-16 In	13	120-7950	1	Screw-Torx
6	37-8771	2	Bolt-Shoulder, HF				

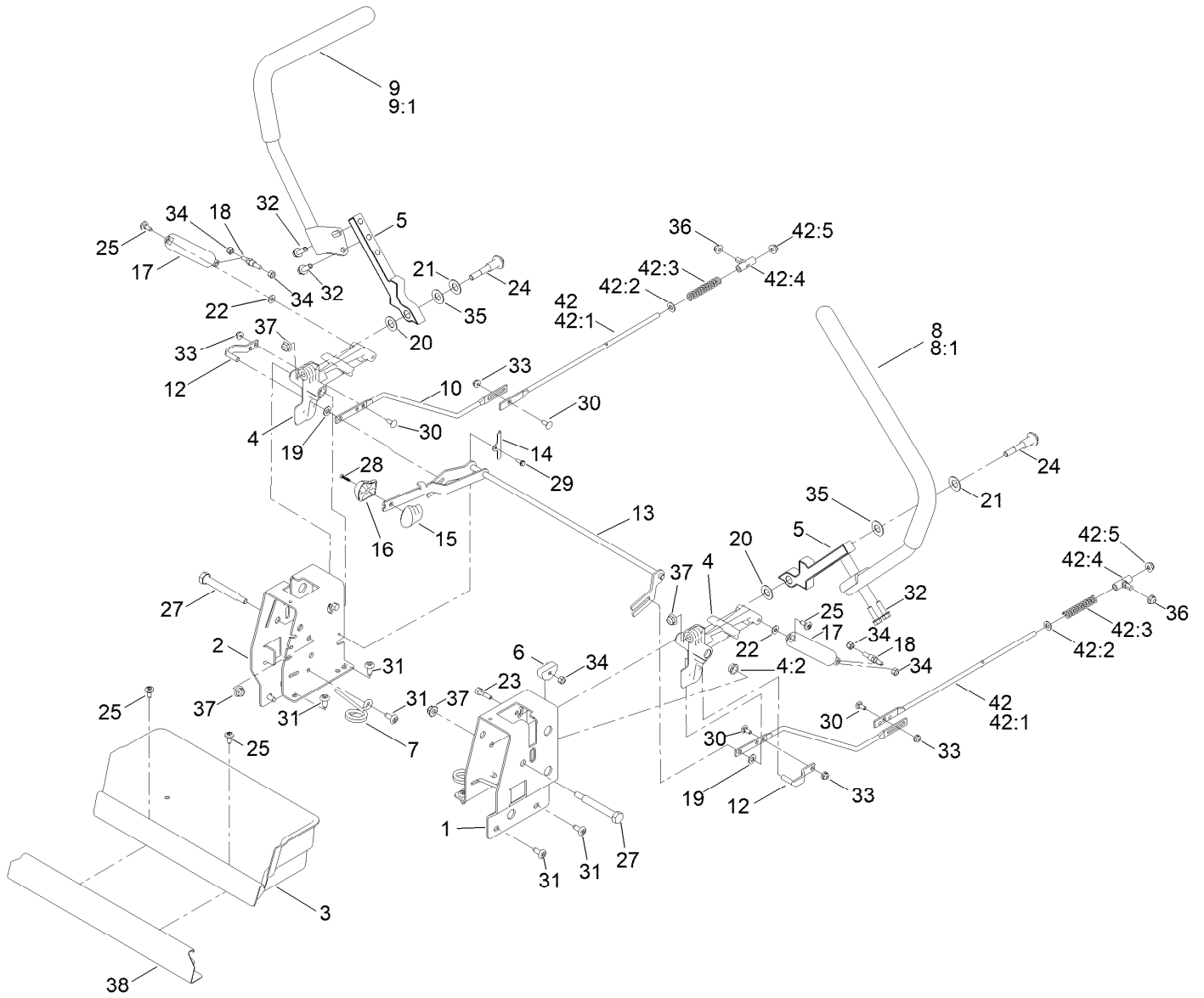
Seat Assembly No. 147-5157



Seat Assembly No. 147-5157 (continued)

<i>Ref.</i>	<i>Part Number</i>	<i>Qty.</i>	<i>Description</i>
1	139-5891	1	Seat-16 In
2	147-2983	1	Cover-Seat
3	82-2190	1	Switch-Bail

Motion Control Assembly

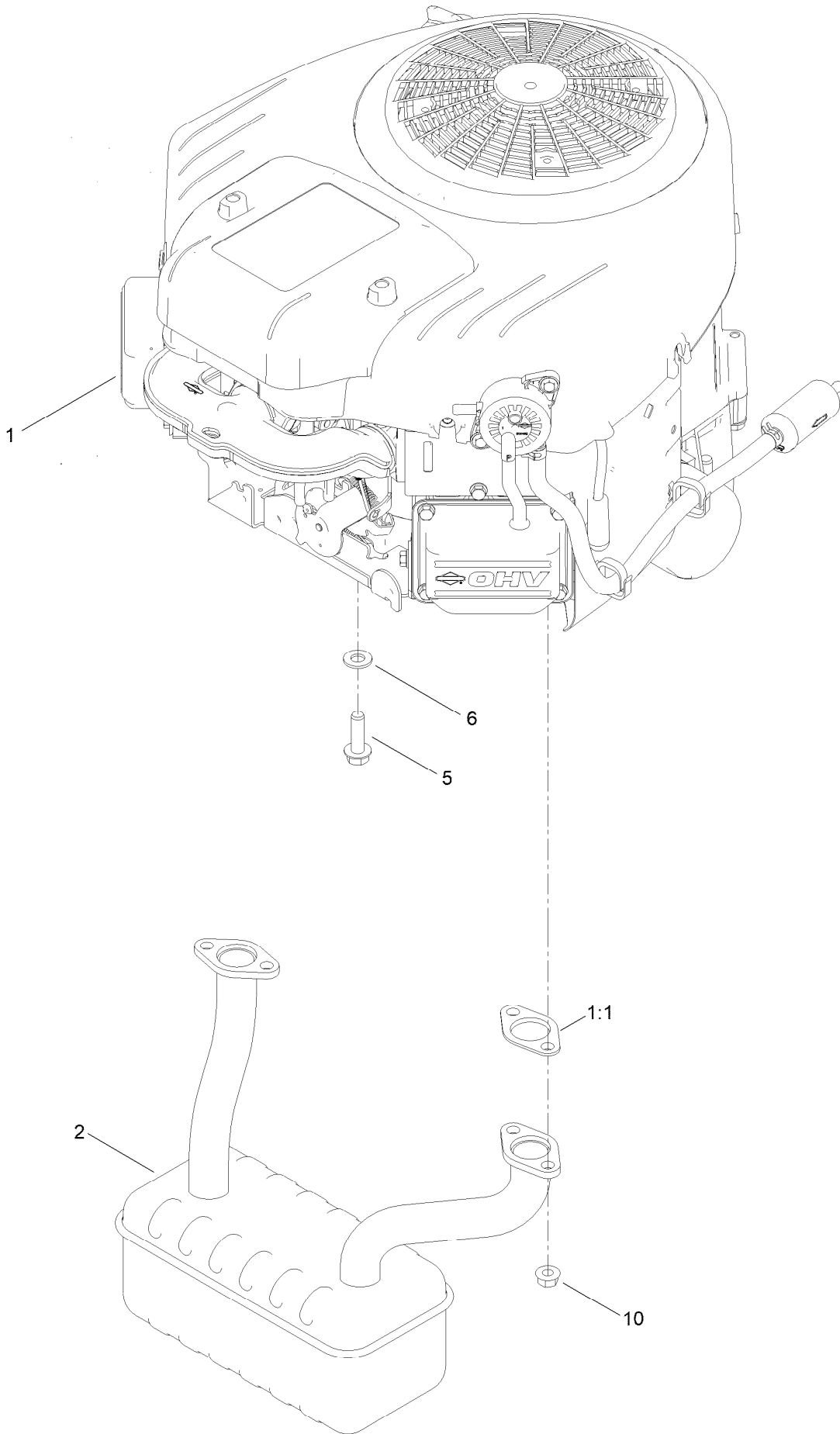


Motion Control Assembly (continued)

<i>Ref.</i>	<i>Part Number</i>	<i>Qty.</i>	<i>Description</i>	<i>Ref.</i>	<i>Part Number</i>	<i>Qty.</i>	<i>Description</i>
1	138-7598-03	1	Plate-Control Box, LH	22	119-8952	2	Washer
2	138-7599-03	1	Plate-Control Box, RH	23	139-5811	2	Bolt-Pivot, Eccentric
3	139-3279	1	Box-Storage	24	139-2556	2	Bolt-Pivot
4	119-3470	2	Actuator Arm ASM	25	120-7950	4	Screw-Torx
4:2	256-156	2	Bushing-Flange	27	115-5099	2	Bolt-Pivot
5	133-9299-05	2	Arm-Control	28	94-4496	1	Screw-PPH
6	139-5803	2	Eccentric	29	139-1713	2	Screw-Taptite
7	138-7539	2	Spring-Torsion	30	100-1445	4	Bolt-CARR
8	133-7055	1	Handle-Control, LH	31	138-9753	10	Screw
8:1	121-0726	1	Grip	32	139-2597	4	Screw-HHF
9	133-7057	1	Handle-Control, RH	33	137-3005	4	Nut-HF
9:1	121-0726	1	Grip	34	137-3088	6	Nut-Hex
10	138-2580	2	Rod-Hydro, Front	35	117-1240	2	Washer
12	121-1753	2	Pin-Rod, Hydro	36	119-4041	2	Nut-HF
13	138-9750	1	Speed Control ASM	37	119-4042	4	Nut-HF, NI
14	138-7541	2	Plate-Retainer	38	139-3280-01	1	Plate-Kick
15	132-9368	1	Knob-RH	42		2	Rod Hydro ASM ●
16	132-9369	1	Knob-LH	42:1	144-1818	1	Rod-Hydro, Rear
17	132-6853	2	Damper-Non Cavitating	42:2	120-9683	1	Washer-Plain
18	138-7215	2	Stud-Damper	42:3	138-7252	1	Spring-Compression
19	93-6079	2	Spacer-Nylon	42:4	138-7218	1	Mount-Rod, Hydro
20	120-2273	2	Washer-Nylon	42:5	119-4041	1	Nut-HF
21	119-8925	2	Washer-Belleville				

● Not serviced separately

Engine and Muffler Assembly



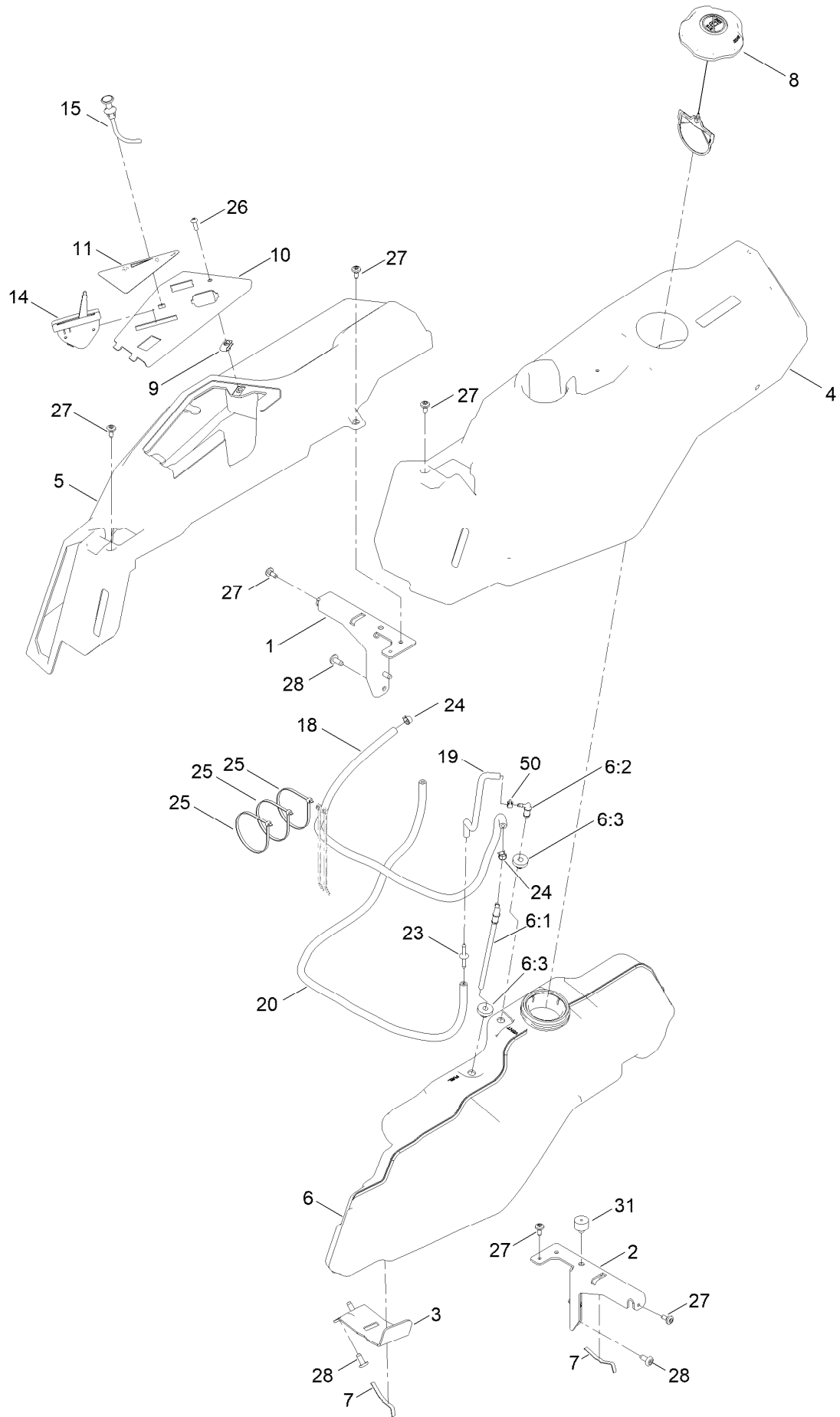
Engine and Muffler Assembly (continued)

<i>Ref.</i>	<i>Part Number</i>	<i>Qty.</i>	<i>Description</i>	<i>Ref.</i>	<i>Part Number</i>	<i>Qty.</i>	<i>Description</i>
1		1	Engine-B&s Exi ●■	5	139-2576	4	Screw-HWH
1:1	147-5158	2	Gasket-Exhaust, Briggs Twin	6	115-1166	3	Washer-Flat
2	145-6318	1	Muffler	10	33004-00	4	Nut-HF

● Not serviced separately

■ Obtain parts from www.briggsandstratton.com

Fuel and Body Styling Assembly

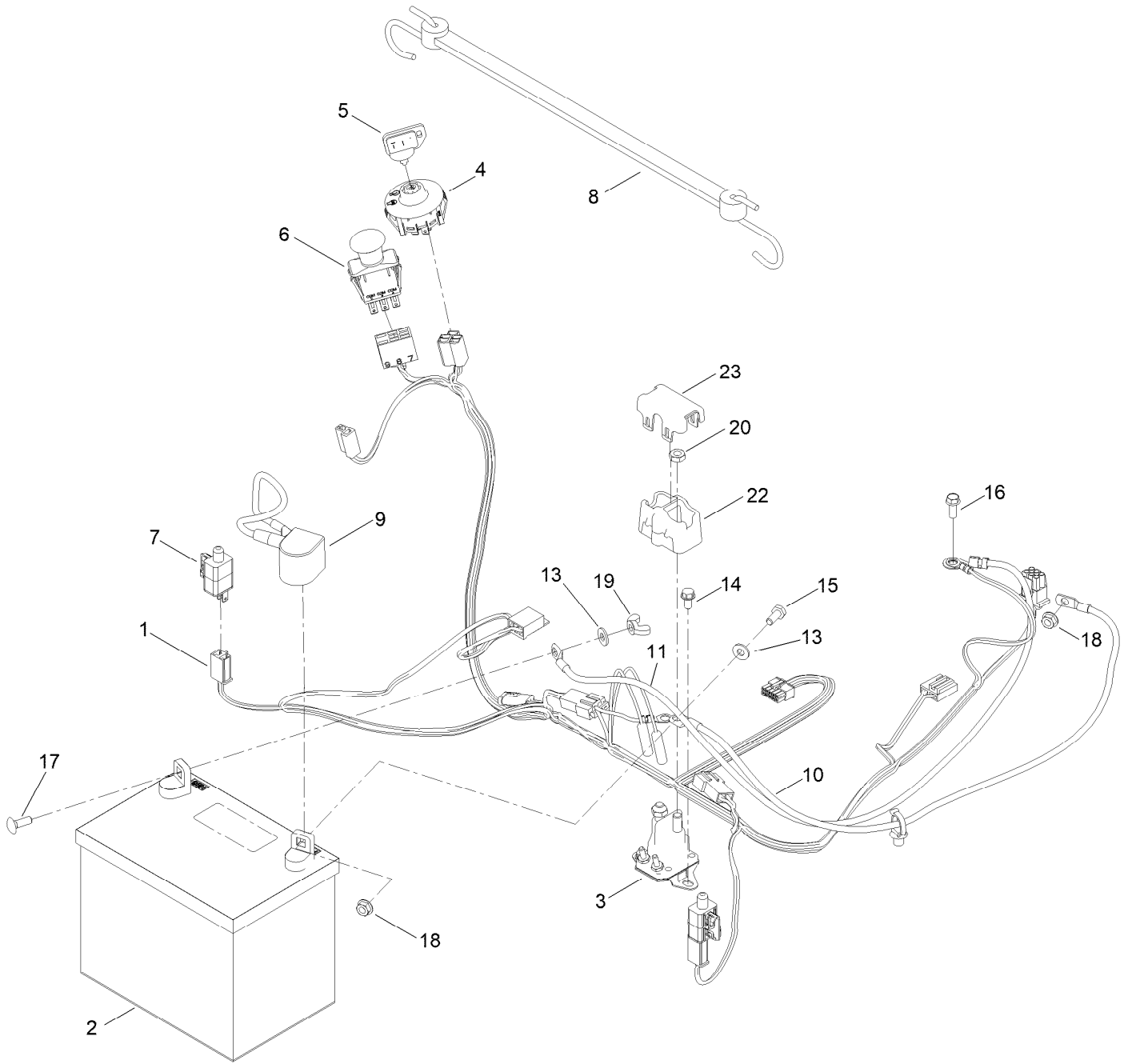


Fuel and Body Styling Assembly (continued)

<i>Ref.</i>	<i>Part Number</i>	<i>Qty.</i>	<i>Description</i>	<i>Ref.</i>	<i>Part Number</i>	<i>Qty.</i>	<i>Description</i>
1	138-6070-03	1	Support-Pod, RH	14	147-2915	1	Cable-Throttle
2	138-6071-03	1	Support-Pod, LH	15	139-2402	1	Cable-Choke
3	139-3271-03	1	Support-Tank, Fuel	18	110-5702	1	Hose-Fuel
4	138-6074	1	Pod-LH	19	136-6345	1	Hose-Fuel
5	138-6075	1	Pod-RH	20	110-3958	1	Hose-Fuel ●
6	144-5304	1	Tank-Fuel ASM	23	144-1983	1	Adapter Orifice
6:1	139-1091	1	Connector-Elbow, 90 DEG	24	2412-98	2	Clamp-Hose
6:2	144-5302	1	Fitting-Elbow 90	25	3290-379	3	Tie-Cable
6:3	46-6560	2	Bushing	25	614249	2	Tie-Cable
7	609830	2	Spring	26	3258-166	1	Screw-PRH
8	137-4119	1	Cap-Fuel, Ratcheting	27	120-7950	6	Screw-Torx
9	107069	1	Clip	28	138-9753	6	Screw
10	139-2380-03	1	Panel - Control	31	120-7893	1	Bumper-Grommet
11	139-2391	1	Decal-Panel, Control	50	2412-80	1	Clamp-Hose

● Not illustrated

Electrical Assembly

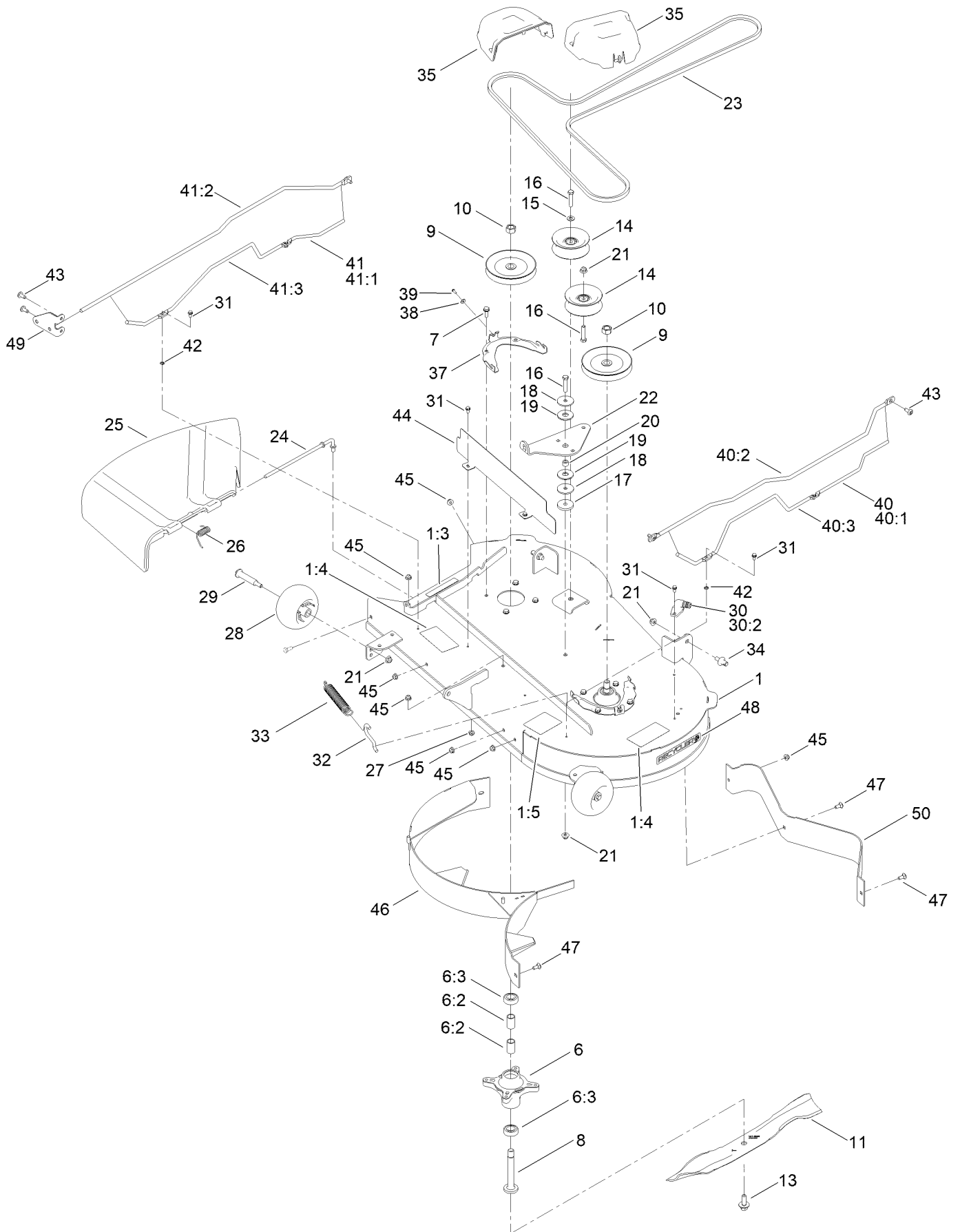


Electrical Assembly (continued)

<i>Ref.</i>	<i>Part Number</i>	<i>Qty.</i>	<i>Description</i>	<i>Ref.</i>	<i>Part Number</i>	<i>Qty.</i>	<i>Description</i>
1	138-2521	1	Harness-Wire	11	121-5726	1	Cable-Battery, Black
1:1	109355	1	Fuse-Blade, 15 Amp ●	13	120-9679	2	Washer-Flat
1:2	109102	1	Fuse-Blade, 25 Amp ●	14	32144-4	2	Screw-HWH
2	105-1692	1	Battery, 230CCA W/O Electrolyte	15	137-3041	1	Screw-HH
3	117-1197	1	Solenoid	16	32144-85	1	Screw-HWH Thd Form
4	137-4100	1	Switch-Ignition	17	137-3053	1	Screw-CARR
5	63-8360	1	Key-Ignition	18	139-2575	2	Nut-HF
6	103-5221	1	Switch-PTO	19	32103-22	1	Nut-Wing
7	110-6765	2	Switch	20	139-2580	2	Nut-HJ
8	139-2381	1	Strap-Rubber	22	140-2080	1	Cover-Solenoid
9	140-2713	1	Cable-Battery, Pos	23	140-2081	1	Cap-Solenoid
10	139-2431	1	Cable-Battery, Red (8 Gauge)				

● Not illustrated

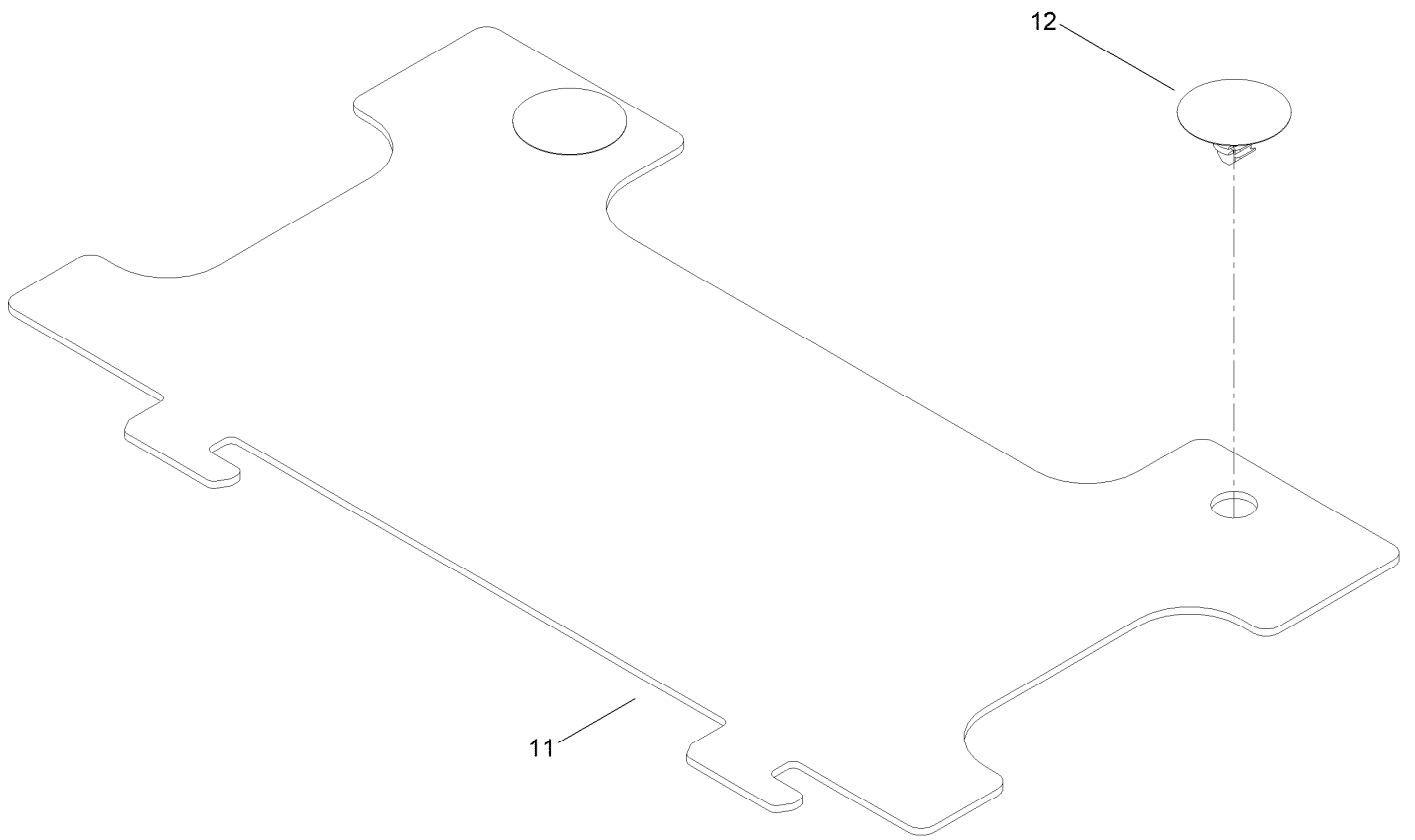
42in Deck and Decal Assembly



42in Deck and Decal Assembly (continued)

<i>Ref.</i>	<i>Part Number</i>	<i>Qty.</i>	<i>Description</i>	<i>Ref.</i>	<i>Part Number</i>	<i>Qty.</i>	<i>Description</i>
1	138-9769	1	42In Deck And Decal ASM	29	139-2551	2	Bolt-Shoulder
1:3	130-0731	1	Decal-Danger	30	133-9289	1	Fitting-Washout
1:4	132-0872	2	Decal-Danger, Deck	30:2	133-9290	1	O-Ring
1:5	105-7015	1	Decal-Routing, Belt	31	32144-4	8	Screw-HWH
6	139-3214	2	Spindle ASM	32	138-7267	1	Hook-Spring, Return
6:2	120-7935	2	Spacer	33	138-7265	1	Spring Extension
6:3	138-9770	2	Bearing-Ball	34	139-5871	2	Pin-Deck
7	32144-41	8	Screw-Taptite	35	144-1905	2	Cover-Belt
8	117-7268	2	Shaft-Spindle	37	139-3272-03	2	Bracket-Cover, Belt
9	139-2433	2	Pulley	38	137-3079	2	Washer-Plain
10	139-2578	2	Nut-Hex	39	94-6961	2	Screw
11	117-5376-03	2	Blade-Mulch	40	140-0370	1	Left Guard ASM
13	145-0411	2	Bolt-Blade, Sems	40:1	139-7540	1	Guard-Left
14	132-9420	2	Pulley-Idler, Flat	40:2	139-7468	1	Rod-Top, Left
15	115-1166	1	Washer-Flat	40:3	139-7476	1	Rod-Support, Lower
16	138-0722	3	Screw-HH	41	140-0371	1	Right Guard ASM
17	139-5802	1	Washer-Plain	41:1	139-7541	1	Guard-Right
18	139-1726	2	Washer-Rebound	41:2	139-7477	1	Rod-Support, Lower
19	114-0463	2	Washer-Friction, Composite	41:3	140-0385	1	Rod-Top, Right
20	115-4986	1	Spacer	42	1-803037	4	Nut-Retaining
21	119-4042	6	Nut-HF, NI	43	138-9753	5	Screw
22	138-7262	1	Arm-Idler	44	137-2039-03	1	Shield-Front
23	147-2924	1	V-Belt	45	119-4041	7	Nut-HF
24	137-2019	1	Rod-Pivot	46	138-9837-03	1	Baffle-Recycling
25	138-7502	1	Deflector-Discharge	47	139-2630	4	Bolt-CARR
26	138-7268	1	Spring-Torsion	48	119-2368	1	Decal-Recycler
27	121-4600	1	Nut-Hex	49	140-5183-01	1	Plate-Mount, Guard
28	1-603299	2	Roller-Scalp, Anti	50	140-2701-03	1	Deflector

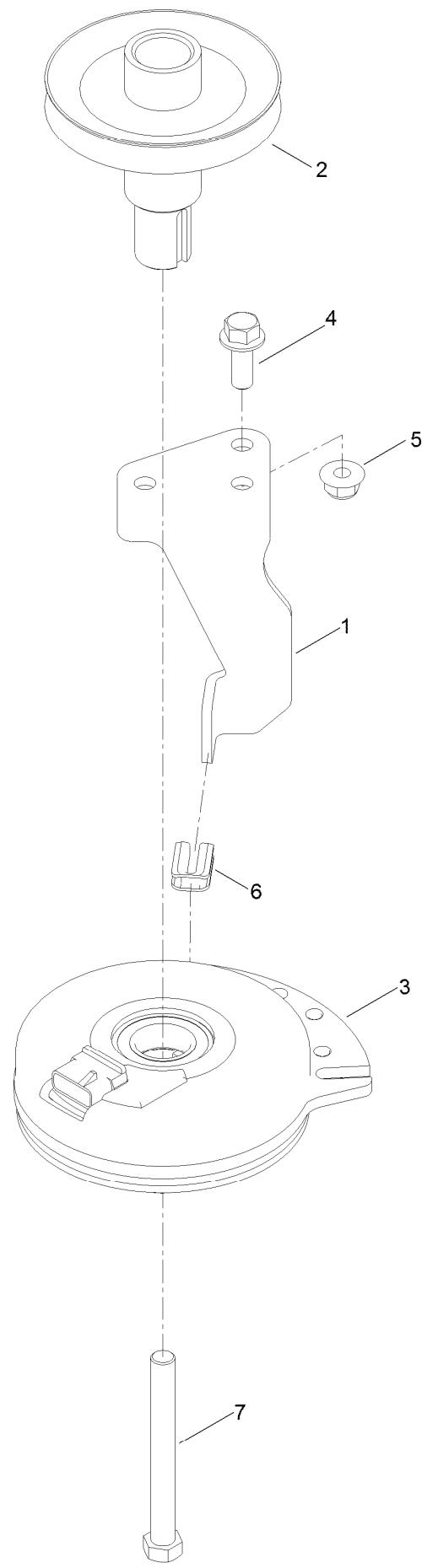
Shield Assembly



Shield Assembly (continued)

<i>Ref.</i>	<i>Part Number</i>	<i>Qty.</i>	<i>Description</i>
11	140-0355	1	Shield
12	139-3205	2	Rivet-Plastic

Clutch Assembly



Clutch Assembly (continued)

<i>Ref.</i>	<i>Part Number</i>	<i>Qty.</i>	<i>Description</i>	<i>Ref.</i>	<i>Part Number</i>	<i>Qty.</i>	<i>Description</i>
1	138-7275	1	Stop-Clutch (Narrow)	5	119-4042	1	Nut-HF, NI
2	138-9792	1	Pulley-Engine	6	120-2217	1	Isolator-Clutch
3	117-7468	1	Clutch-Electric	7	139-2571	1	Screw-HH
4	139-2597	1	Screw-HHF				

Attachments and Accessories

For 74679 TimeCutter ZX 4275T Riding Mower

Product Name	Model/Part
Hourmeter Kit	116-5461
Seat Cover W/O Arm Rest - TC 18in.....	117-0096
Jack Kit.....	127-6666
Fuel Stabilizer .05 oz	130-2393
4-Cycle Fuel, Snow And Lawn 32oz Can	131-3823
Toro Premium Fuel Treatment 12 Oz Bottle	131-6572
Replacement Blade Kit	137-1999-03P
42 Inch Recycler Kit.....	139-3265
42 Inch Bagging Enhancement Kit.....	139-7478
Front Weight Kit.....	140-2050
Assist Bar Kit	140-2052
Sunshade Kit	140-2054
LED Light Kit.....	140-2056
Deluxe Seat Kit.....	140-2057
Armrest Kit.....	140-2058
Deck Footlift Assist Kit	140-2059
Floormat Kit	140-2060
Jack Mount Kit.....	140-2711
42 Inch Striping Kit.....	140-5159
Caster Wheel Kit.....	145-0475
10w30 4-Cycle Engine Oil (32oz Bottle).....	38280
Toro 4-Cycle SAE 30 Oil (32oz Bottle)	38903
Storage Cover	490-7516
Mower Deck Drive Belt, TimeCutter SS Riding Mower with 42-inch Mowing Deck.....	79004
Twin Bagger, Timecutter 42 Inch Fab.....	79411
ROPS Kit	79485
Slope Sensor Kit.....	79486

Notes:



Count on it.