



Z149

Z-Master[®] with 52" Side Discharge Mower

Model No. 74179-220000389 and Up

Parts Catalog

Ordering Replacement Parts

To order replacement parts, please supply: the part number, the quantity, and the description of each part desired.

Understanding Reference Numbers

Each identified part in an illustration has a reference number. The reference number for a part also appears in the parts list, along with other information about the part.

This catalog uses two special reference number formats, one to indicate parts in a service assembly and another to indicate the quantity of a given part in an illustration.

Service Assembly Reference Numbers

Parts in service assemblies have reference numbers in the form **a:b**. The **a** represents the reference number of the entire service assembly and the **b** represents a sequential number unique to each part within the service assembly.

For example, a wheel assembly might be identified by reference number **6**, the tire by **6:1**, the valve by **6:2**, and the wheel by **6:3**. When you order the assembly identified by reference number **6**, you receive all parts identified by reference numbers **6:1**, **6:2**, and **6:3**. However, you may also order any part individually.

Reference numbers of this type appear in illustrations and in part lists.

Reference Numbers Indicating Quantity

In an illustration, if a reference number indicates more than one part, the reference number has the form **nX y**. The **n** represents the quantity of the part, the **X** is the multiplication symbol, and the **y** represents the reference number.

For example, in an illustration, the reference number **2X 37** means that two of the parts identified by reference number **37** are indicated.

Contents

Description	Page	Description	Page
Front Frame Assembly	4	Cylinder/Crankcase Assembly	
Height of Cut Assembly	6	Kawasaki FH601V-CS06	22
Main Frame Assembly	7	Valve/Camshaft Assembly	
Fuel System Assembly	8	Kawasaki FH601V-CS06	24
Parking Brake System Assembly	9	Cooling-Equipment Assembly	
Motion Control System Assembly	10	Kawasaki FH601V-CS06	26
Hydraulic System Assembly	11	Electric-Equipment Assembly	
Pump, Idler and Belt Assembly	13	Kawasaki FH601V-CS06	28
Engine and Clutch Assembly	14	Control-Equipment Assembly	
Deck Assembly	15	Kawasaki FH601V-CS06	30
Deck Spindle Assembly	16	Carburetor Assembly	
Idler, Pulley/Lift Strut, Chain Assembly	17	Kawasaki FH601V-CS06	32
Electrical System Assembly	18	Air-Filter/Muffler Assembly	
Electrical Schematic	19	Kawasaki FH601V-CS06	34
Piston/Crankshaft Assembly		Fuel-Tank/Fuel-Valve Assembly	
Kawasaki FH601V-CS06	20	Kawasaki FH601V-CS06	35
Lubrication-Equipment Assembly		Starter/Decal	
Kawasaki FH601V-CS06	21	Kawasaki FH601V-CS06	36

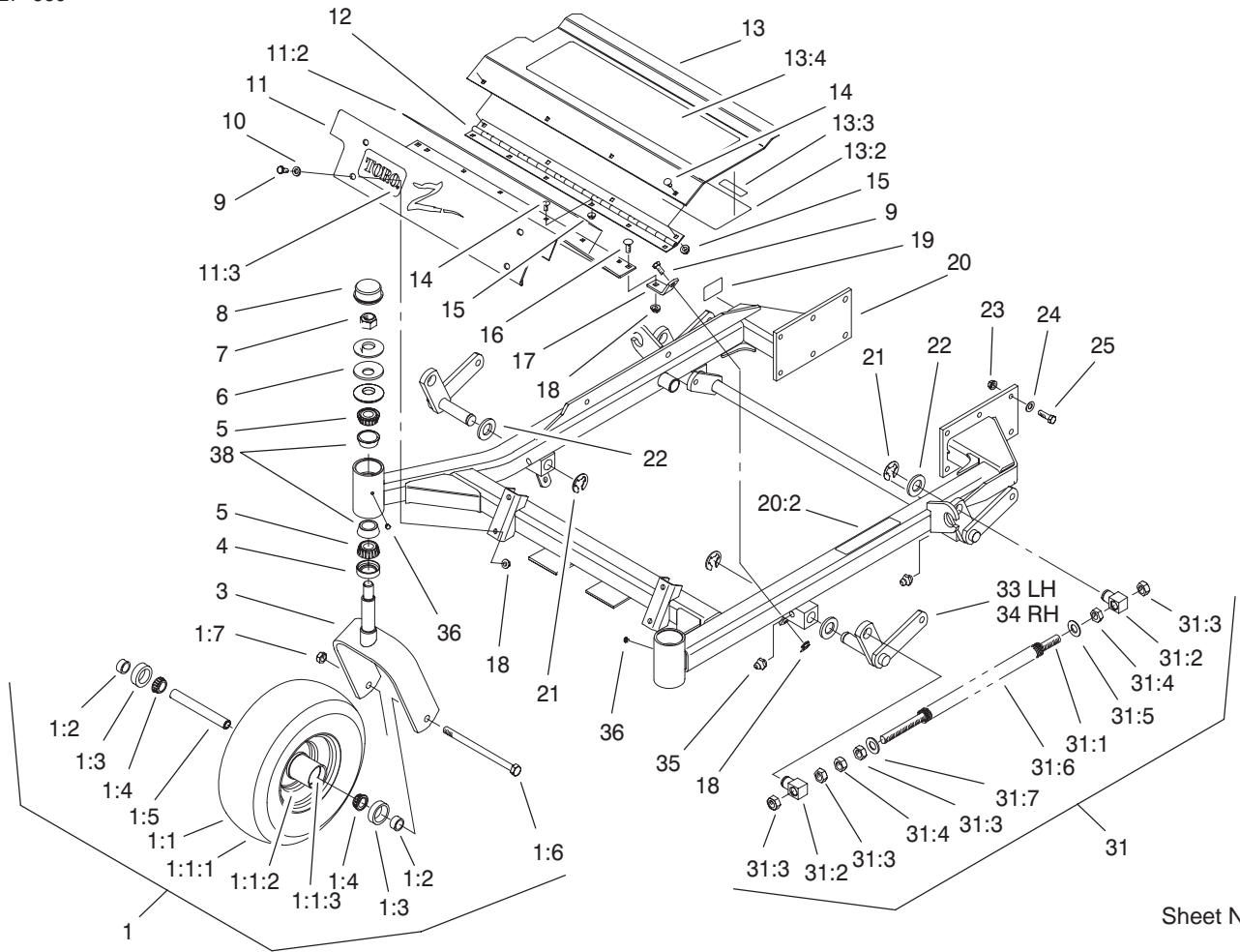
Accessories

Description	Model / Part No.	Description	Model / Part No.
Recycler Kit	59225	Steel Bagger	30107
Bahaia Mulch Kit	59227	Striping Kit	30121
High Sail Blades		High Suspension Seat	99-8522
(3 required for improved bagging)	56-2390	Z-Stand Kit	105-1621
Atomic Blades		Hitch Kit	99-8924
(3 required for improved mulching)	104-1301		

Part Description Abbreviations

Part descriptions in this catalog may include the following abbreviations.

Abbreviation	Meaning	Abbreviation	Meaning
AR	as required	HYD	hydraulic
ASM	assembly	INC	incorporated
CARR	carriage	LH	left hand
DEG	degrees	NI	nylon insert
FH	flat head	PPH	Phillips pan head
GA	gauge	PTH	Phillips truss head
HF	hex flange	PTO	power take off
HH	hex head	RH	right hand
HHF	hex head flange	SFH	slotted fillister head
HLH	hex lag head	SHH	slotted hex head
HJ	hex jam	SQH	square head
HOC	height-of-cut	SHWH	slotted hex washer head
HS	hex socket	SPH	slotted pan head
HSBH	hex socket button head	SRH	slotted round head
HSFH	hex socket flat head	STD	standard
HSH	hex socket head	TAP	self tapping
HWH	hex washer head	TTH	Torx truss head
HWHTF	hex washer head thread forming	WH	wing head

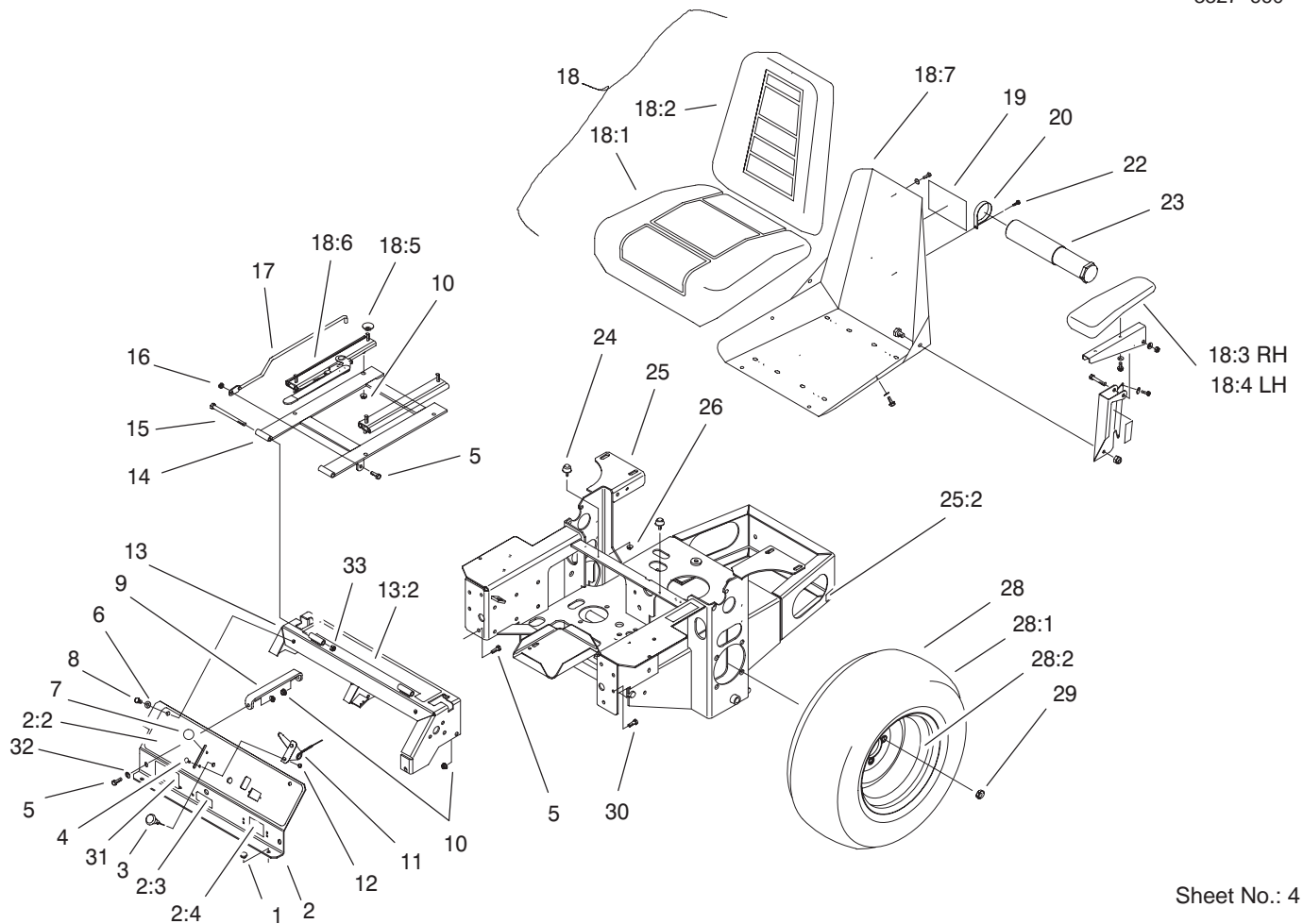


Sheet No.: 2

Front Frame Assembly

Ref. No.	Part No.	Qty.	Description
1	1-634662	2	Caster Wheel ASM
1:1	1-633582	1	Wheel & Tire ASM
1:1:1	1-633002	1	Tire
1:1:2	1-633583	1	Wheel
1:1:3	1-633584	2	Bearing-Cup
1:2	1-633581	2	Spacer-Bearing
1:3	1-633580	2	Seal-Bearing
1:4	1-633585	2	Bearing-Cone, Taper
1:5	1-633579	1	Spacer-Caster, Front
1:6	325-36	1	Screw-HH
1:7	3296-45	1	Nut-Lock, NI
3	1-632511-01	2	Caster
4	1-543511	2	Seal-Grease
5	254-94	4	Bearing-Cone, Taper
6	1-633508	6	Washer-Bellville
7	3296-51	2	Nut-Lock, NI
8	1-543513	2	Cap-Grease
9	322-3	6	Screw-HH
10	3256-23	4	Washer-Flat
11	99-3940	1	Floorpan-Front
11:2	1-633553	1	Pad-Antiskid
11:3	1-633737	1	Decal-Z-Master
12	1-653049	1	Hinge-Floorpan
13	99-3930	1	Footrest ASM
13:2	99-3924	1	Decal-Service
13:3	98-5954	1	Decal-Missing, Cover

Ref. No.	Part No.	Qty.	Description
13:4	1-633553	1	Pad-Antiskid
14	3229-10	10	Screw-CARR
15	32128-33	10	Nut-HF
16	3230-1	2	Screw-CARR
17	99-3870-01	2	Bracket-Floorpan
18	32128-20	8	Nut-HF
19	105-2625	1	Decal-Safety STD
20	99-3931	1	Front Frame ASM
20:2	1-633818	1	Decal-Warning
21	32151-103	6	Ring-Snap
22	3256-29	6	Washer-Flat
23	3290-357	12	Nut-HHF
24	98-5975	12	Washer-Bellville
25	323-7	12	Screw-HH
31	103-1987	2	Front Spring ASM
31:1	1-653011	1	Rod-Lift, Deck
31:2	1-633441	2	Swivel-Deck Mount, Rear
31:3	3217-11	4	Nut-Hex
31:4	3218-6	2	Nut-Jam
31:5	1-805517	1	Washer
31:6	1-653009	1	Spring-Compression
31:7	3256-27	1	Washer-Flat
33	99-3871-01	1	LH Lift Arm ASM
34	99-3872-01	1	RH Lift Arm ASM
35	302-19	4	Fitting-Grease

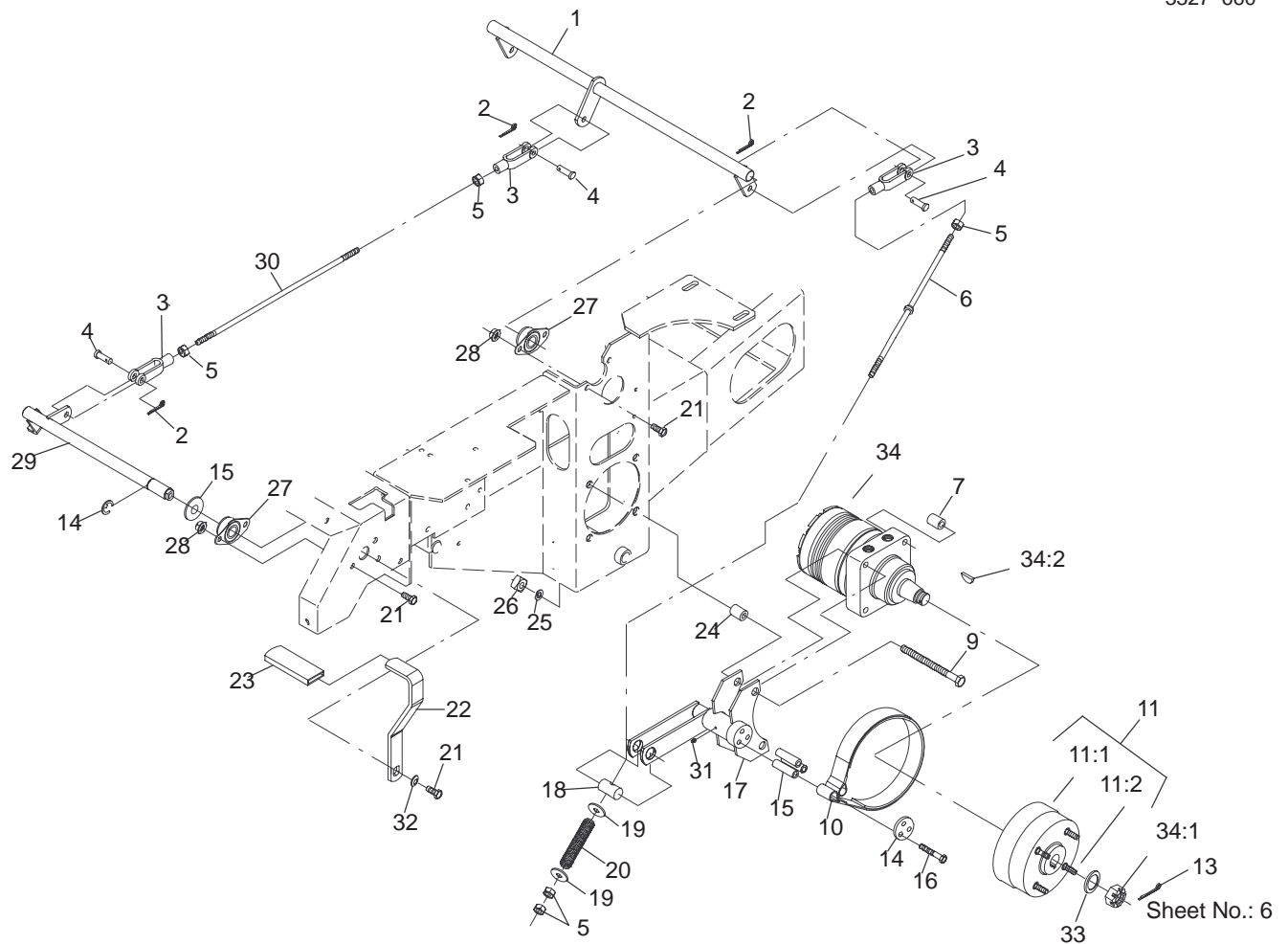


Sheet No.: 4

Main Frame Assembly

Ref. No.	Part No.	Qty.	Description
1	1-513658	2	Bumper-Catcher, Grass
2	99-3932	1	Control Panel ASM
2:2	99-3942	1	Decal-Panel, Control
2:3	103-0262	1	Decal-Valve, Fuel
2:4	98-4387	1	Decal-Protection, Ear
3	1-603336	1	Control-Choke
4	1-807513	2	Bolt-CARR
5	322-5	3	Screw-HH
6	3256-23	2	Washer-Flat
7	1-513592	1	Knob-Ball, Red
8	322-3	3	Screw-HH
9	1-653089-03	1	Bracket
10	32128-20	12	Nut-HF
11	1-633696	1	Cable-Throttle
12	3296-2	2	Nut-Lock
13	105-6123	1	Console ASM
13:2	103-1997	1	Decal-Top Console
14	1-632187-03	1	Frame-Seat
15	323-39	2	Screw-HH
16	3296-29	1	Nut-Lock, NI
17	103-1731	1	Rod-Retainer, Seat
18	1-633705	1	Seat W/Tracks
18:1	103-0290	1	Cushion-Bottom, Seat
18:2	104-7754	1	Cushion-Back, Seat
18:3	1-633710	1	Cushion-Armrest, RH

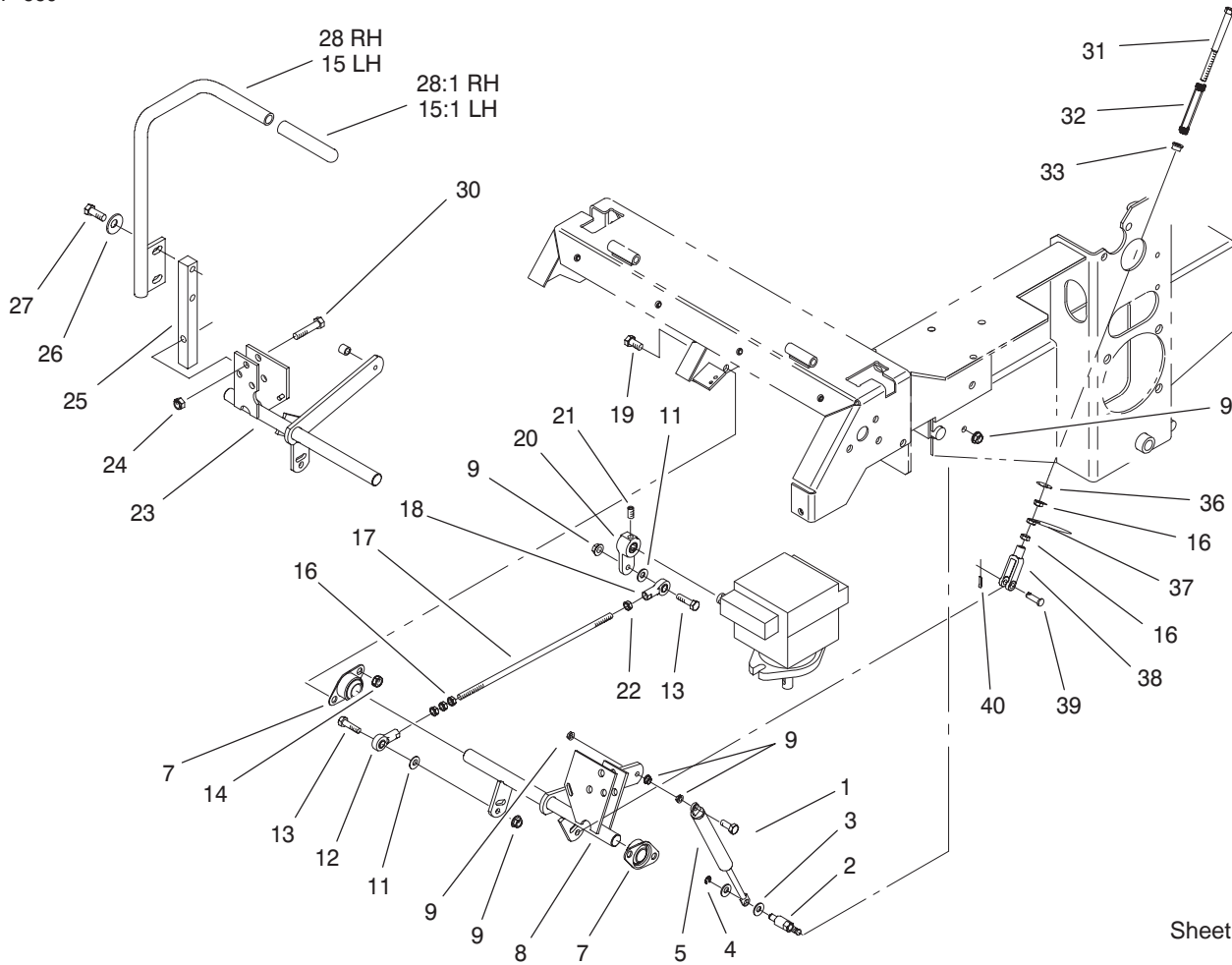
Ref. No.	Part No.	Qty.	Description
18:4	1-633711	1	Cushion-Armrest, LH
18:5	1-543401	4	Spacer-Track
18:6	1-643255	1	Grp-Track, Seat
18:7	1-633859	1	Frame-Seat
19	99-4693	1	Decal-Toro
20	2412-120	2	R-Clamp
22	32104-76	2	Screw
23	74-0720	1	Tube-Manual
24	1-523420	2	Bumper
25	105-6121	1	Main Frame ASM
25:2	65-2690	2	Decal-Surface, Hot
26	3296-42	2	Nut-Lock, NI
28	1-653159	2	ASM, Wheel & Tire
28:1	1-653160	1	Tire
28:2	1-653161	1	Wheel
29	242-50	8	Nut-Lug
30	322-2	6	Screw-HH
31	99-8909	1	Decal-Z149
32	3256-3	2	Washer-Flat
33	3296-39	2	Nut-Lock, NI



Parking Brake System Assembly

Ref. No.	Part No.	Qty.	Description	Ref. No.	Part No.	Qty.	Description
1	1-652073-03	1	Crank-Brake, Park	27	1-633102	4	Bearing-Flange, Side
2	3272-10	4	Pin-Cotter	28	3290-357	8	Nut-HHF
3	1-633131	4	Yoke-Linkage, Brake	29	1-652085	1	Shaft-Brake, Parking
4	1-808285	4	Pin-Clevis	30	1-653061	1	Linkage-Handle, Brake
5	3219-3	8	Nut-HH	31	1481	2	Fitting-Grease
6	103-0356	2	Rod-Brake	32	98-5975	2	Washer-Belleville
7	1-653068	4	Spacer-Wheel	33	1-523157	2	Washer-Spacer
9	325-13	8	Screw-HH	34	1-523328	2	Motor-Wheel
10	103-0355	2	Band-Brake	34:1	1-809036	1	Nut-HH
11	103-0590	2	Hub-Wheel W/Studs	34:2	3257-42	1	Key-Woodruff
11:1	103-0589	1	Hub-Wheel	*34:99	1-000099	1	Kit-Seal
11:2	1-633926	4	Stud-Wheel	*34:99	1-000139	1	Kit-Bearing
13	1-806800	2	Pin-Cotter	35	32151-48	1	E-Ring
14	103-0374	2	Retainer-Band, Brake	36	3256-28	1	Washer-Flat
15	103-0384	6	Spacer				
16	322-9	6	Screw-HH				
17	103-0352-03	2	Bracket-Brake				
18	1-633144	2	Pin-Trunion				
19	3256-4	4	Washer-Flat				
20	1-633454	2	Spring-Brake				
21	323-4	9	Screw-HH				
22	1-653074-03	1	Handle-Brake, Park				
23	1-633268	1	Grip-Lever, Brake				
24	1-653069	4	Spacer-Wheel				
25	3253-7	8	Washer-Lock				
26	103-0131	8	Nut-Square				

* Not illustrated

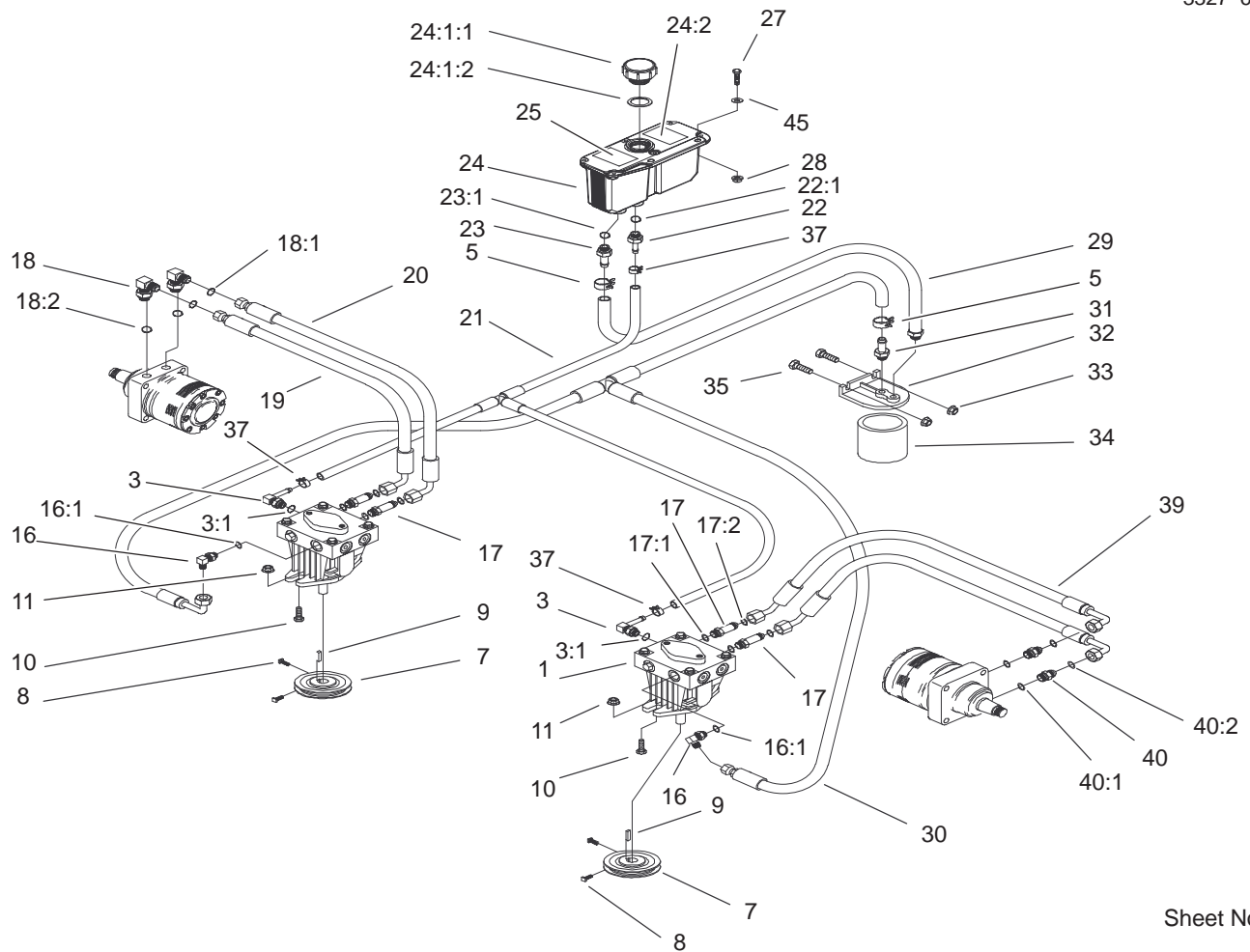


Sheet No.: 7

Motion Control System Assembly

Ref. No.	Part No.	Qty.	Description
1	1-403180	2	Screw-HH
2	1-653316	2	Pin-Damper
3	3256-23	4	Washer-Flat
4	32120-35	2	E-Ring
5	1-523027	2	Damper-Control
7	1-633102	4	Bearing-Flange, Side
8	103-2199	1	LH Motion Control ASM
9	32128-20	12	Nut-HF
11	3256-3	4	Washer-Flat
12	1-543017	2	Balljoint-RH
13	322-6	4	Screw-HH
14	3290-357	8	Nut-HHF
15	103-0631	1	LH Lever ASM
15:1	1-633257	1	Grip-Control, Motion
16	3219-2	10	Nut-Hex
17	1-653046	2	Linkage-Pump/Lever
18	1-633152	2	Balljoint-Thread, LH
19	323-4	8	Screw-HH
20	1-653092	2	Arm-Control, Pump
21	1-803022	2	Screw
22	1-804524	2	Nut
23	103-2200	1	RH Motion Control ASM
24	3296-39	6	Nut-Lock, NI
25	103-0407	2	Arm-Shaft, Control

Ref. No.	Part No.	Qty.	Description
26	98-5975	4	Washer-Belleville
27	323-6	4	Screw-HH
28	103-0632	1	RH Lever ASM
28:1	1-633257	1	Grip-Control, Motion
30	323-9	6	Screw-HH
31	1-603737	2	Bolt-Return, Neutral
32	1-603807	2	Spring-Return, Neutral
33	1-603735	2	Bushing-Flanged
36	3256-2	2	Washer-Flat
37	3220-2	2	Nut
38	1-303105	2	Yoke-Adjustable
39	1-808280	2	Pin-Clevis
40	3272-5	2	Pin-Cotter



Sheet No.: 8

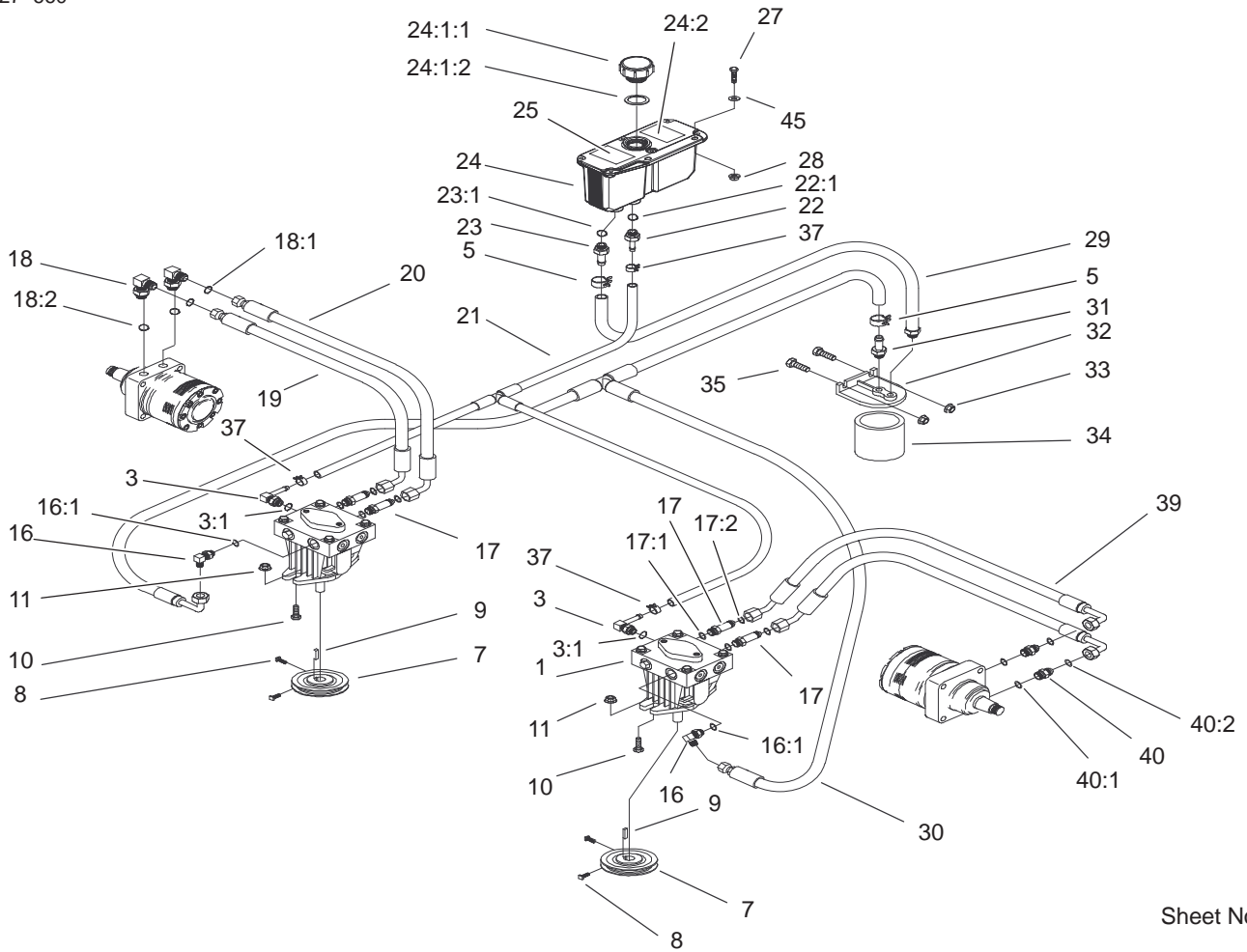
Hydraulic System Assembly

Ref. No.	Part No.	Qty.	Description
1	103-1942	2	Pump-Hydraulic
*1:1	105-6184	1	Kit - Overhaul, Seal
*1:2	105-6185	1	Plate - Valve
*1:8	103-2664	1	Kit, Input Shaft 10a
*1:9	103-2665	1	Kit, Thrust Bearing 10a
*1:10	103-2666	1	Kit, Cylinder Block 10a
3	103-1799	2	Elbow-90°
3:1	237-42	1	O-Ring
5	103-1988	2	Clamp-Hose
7	1-653156	2	Sheave
8	1-803050	4	Screw-Set
9	1-807272	2	Key-Machine
10	323-7	4	Screw-HH
11	3290-357	4	Nut-HHF
16	103-1802	2	Elbow-90°
16:1	237-42	1	O-Ring
17	103-1940	4	Adapter, Straight
17:1	237-79	1	O-Ring
17:2	1-603992	1	O-Ring
18	1-633605	2	Fitting-Connector
18:1	1-603992	1	O-Ring
18:2	237-80	1	O-Ring
19	1-653186	1	Hose, Front
20	1-653187	1	Hose, RH Rear
21	103-1800	1	HYD Hose ASM
22	103-1801	1	Adapter-Straight

Ref. No.	Part No.	Qty.	Description
22:1	237-42	1	O-Ring
23	103-1912	1	Adapter, Straight
23:1	237-42	1	O-Ring
24	103-1947	1	HYD Reservoir ASM
☆24:1	103-1948	1	HYD Reservoir ASM
24:1:1	103-1948	1	Cap, Hydraulic Reservoir
24:1:2	103-1949	1	Gasket-Cap
24:2	1-523552	1	Decal-Tank, Hydraulic
25	103-2644	1	Decal-System, Exhaust
27	321-14	2	Screw-HH
28	32128-33	2	Nut-HF
29	103-1805	1	HYD Hose ASM
30	103-1803	1	HYD Hose ASM
31	103-1804	1	Adapter-Straight
32	1-603720	1	Head-Filter
33	32128-20	2	Nut-HF
34	1-633750	1	Filter-HYD
34	1-633752	1	Filter-HYD, Winter
35	322-5	2	Screw-HH
37	103-1716	3	Clamp-Hose
39	103-1680	2	Hose-LH
40	1-603991	2	Fitting-Straight
40:1	237-80	1	O-Ring
40:2	1-603992	1	O-Ring

* Not illustrated

☆ Not serviced separately

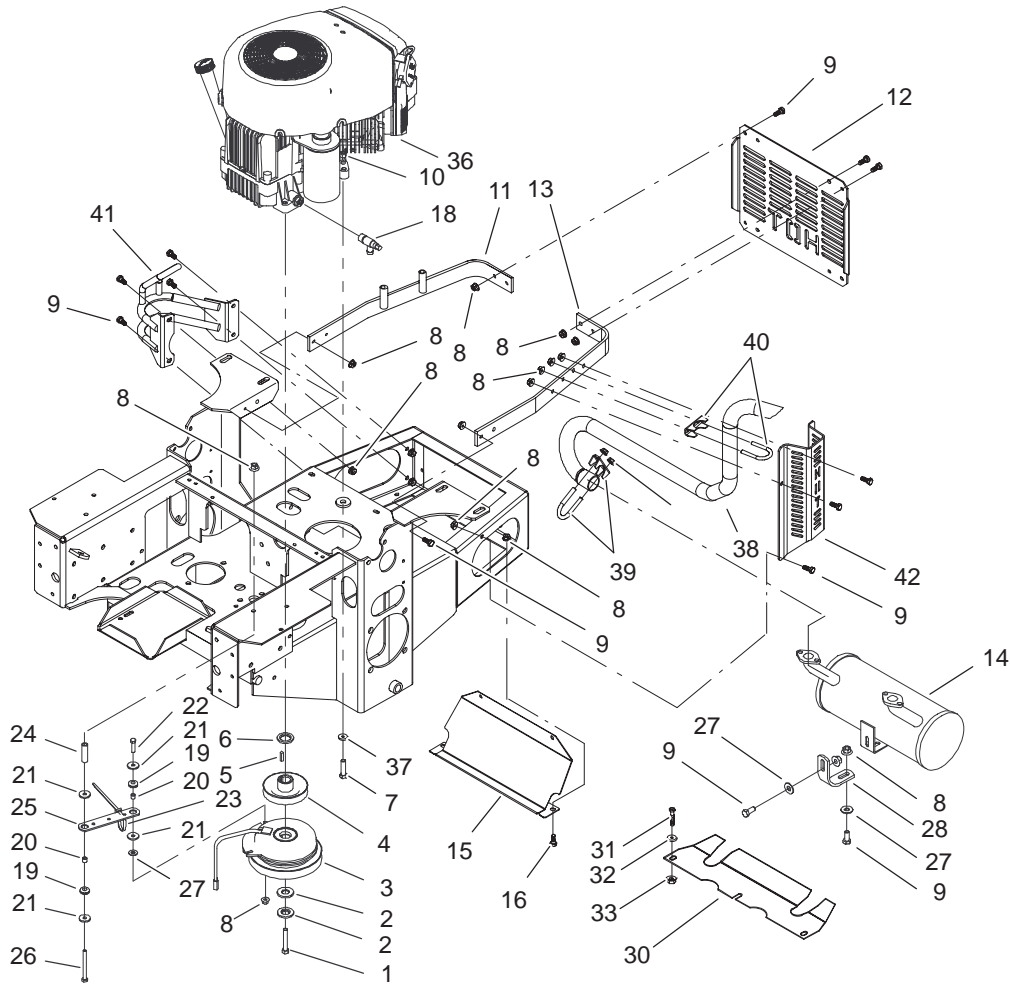


Sheet No.: 8

Hydraulic System Assembly (Continued)

Ref. No.	Part No.	Qty.	Description
45	3256-22	2	Washer-Flat

Ref. No.	Part No.	Qty.	Description
----------	----------	------	-------------



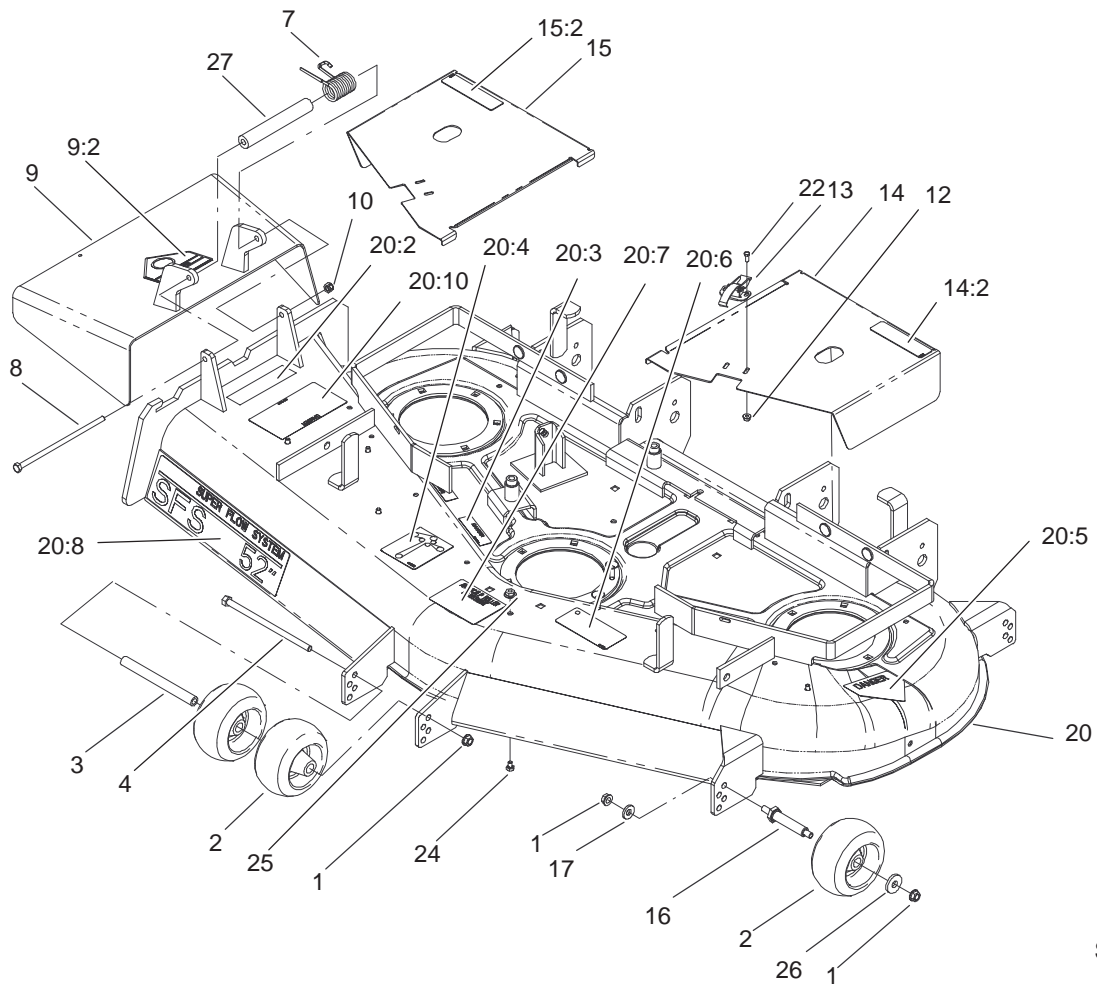
Sheet No.: 10

Engine and Clutch Assembly

Ref. No.	Part No.	Qty.	Description
1	3212-12	1	Screw-HH
2	1-603610	2	Washer-Spring
3	1-653048	1	Clutch-Stop
4	1-653035	1	Sheave W/Hub
5	1-807259	1	Key
6	103-2308	1	Spacer-Crankshaft
7	322-9	4	Screw-HH
8	32128-20	27	Nut-HF
9	322-3	21	Screw-HH
10	3296-29	4	Nut-Lock, NI
11	1-652146-03	1	Strap-Guard, Engine
12	1-653095-03	1	Shield-Engine
13	103-2751-03	1	Strap, Eng Guard LH Exhaust
14	103-1322	1	Muffler
15	103-2560-03	1	Shield-Heat
16	322-2	4	Screw-HH
17	103-1966	1	Adapter
18	103-1965	1	Valve-Drain, Oil
19	1-633630	2	Grommet-Brake
20	1-633545	2	Spacer-Grommet
21	1-613235	4	Washer
22	322-6	1	Screw-HH
23	1-303335	2	Tie-Plastic
24	1-523406	1	Bushing-Mount, Seat
25	1-633543-03	1	Strap-Clutch, Brake

Ref. No.	Part No.	Qty.	Description
26	322-22	1	Screw-HH
27	3256-3	3	Washer-Flat
28	1-653196	1	Bracket-Support, Muffler
30	1-653539-03	1	Shield,Heat
31	3230-1	3	Screw-CARR
32	3256-23	3	Washer-Flat
33	3296-29	3	Nut-Lock, NI
★36		1	Engine-Kawasaki, Fh601v-Cs06
37	1-303334	2	Washer-Spring
38	103-2599	1	Wld, Tailpipe
39	103-2630	1	Clamp, 1.25"
40	103-2631	1	Clamp, 1.125"
41	103-2564-03	1	RH Exhaust Guard ASM
42	103-2566-03	1	LH Exhaust Guard ASM

★ Not serviced separately

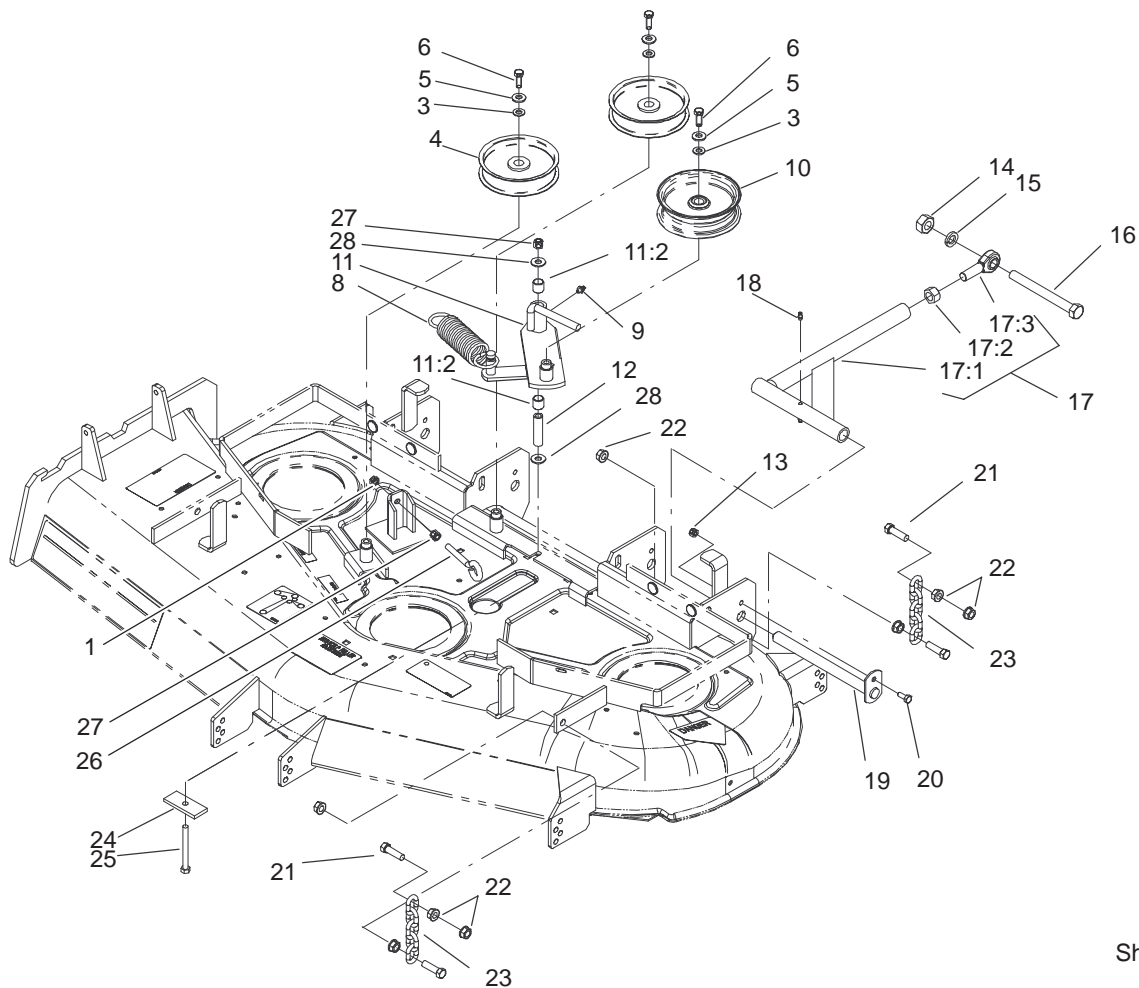


Sheet No.: 14

Deck Assembly

Ref. No.	Part No.	Qty.	Description	Ref. No.	Part No.	Qty.	Description
1	3290-357	9	Nut-HHF	20:6	93-7818	1	Decal-Torque, Blade Bolt
2	68-2730	6	Wheel-Gage	20:7	98-3798	1	Decal-Wheel, Gage
3	98-5967	1	Spacer-Wheel	20:8	98-5953	1	Decal-Sfs
4	323-28	1	Screw-HH	20:10	66-1340	1	Decal-Danger
7	104-8554	1	Spring-Torsion	22	3290-321	4	Screw-HWH
8	322-50	1	Screw-Cap	24	321-1	6	Screw-HH
9	105-4623	1	Deflector ASM	25	32128-33	6	Nut-HF
9:2	54-9220	1	Decal-Danger	26	1-373034	4	Washer-Swivel
10	3296-29	1	Nut-Lock, NI	27	105-4622	1	Spacer - Mounting, Deflector
12	32128-17	4	Nut-Lock, Flange				
13	249-21	2	Clamp-Slotted				
14	99-3896	1	LH Cover ASM				
14:2	67-5360	1	Decal-Danger				
15	99-3895	1	RH Cover ASM				
15:2	67-5360	1	Decal-Danger				
16	99-2842	4	Spacer-Wheel				
17	98-5975	4	Washer-Belleville				
20	105-1695	1	Deck Service ASM (52, 100 Series)				
☆20		1	Deck ASM W/ Decals				
20:2	104-8569	1	Decal-Warning, Deflector				
20:3	98-5954	3	Decal-Missing, Cover				
20:4	99-3943	1	Decal-Routing, Belt				
20:5	43-8480	1	Decal-Danger				

☆ Not serviced separately

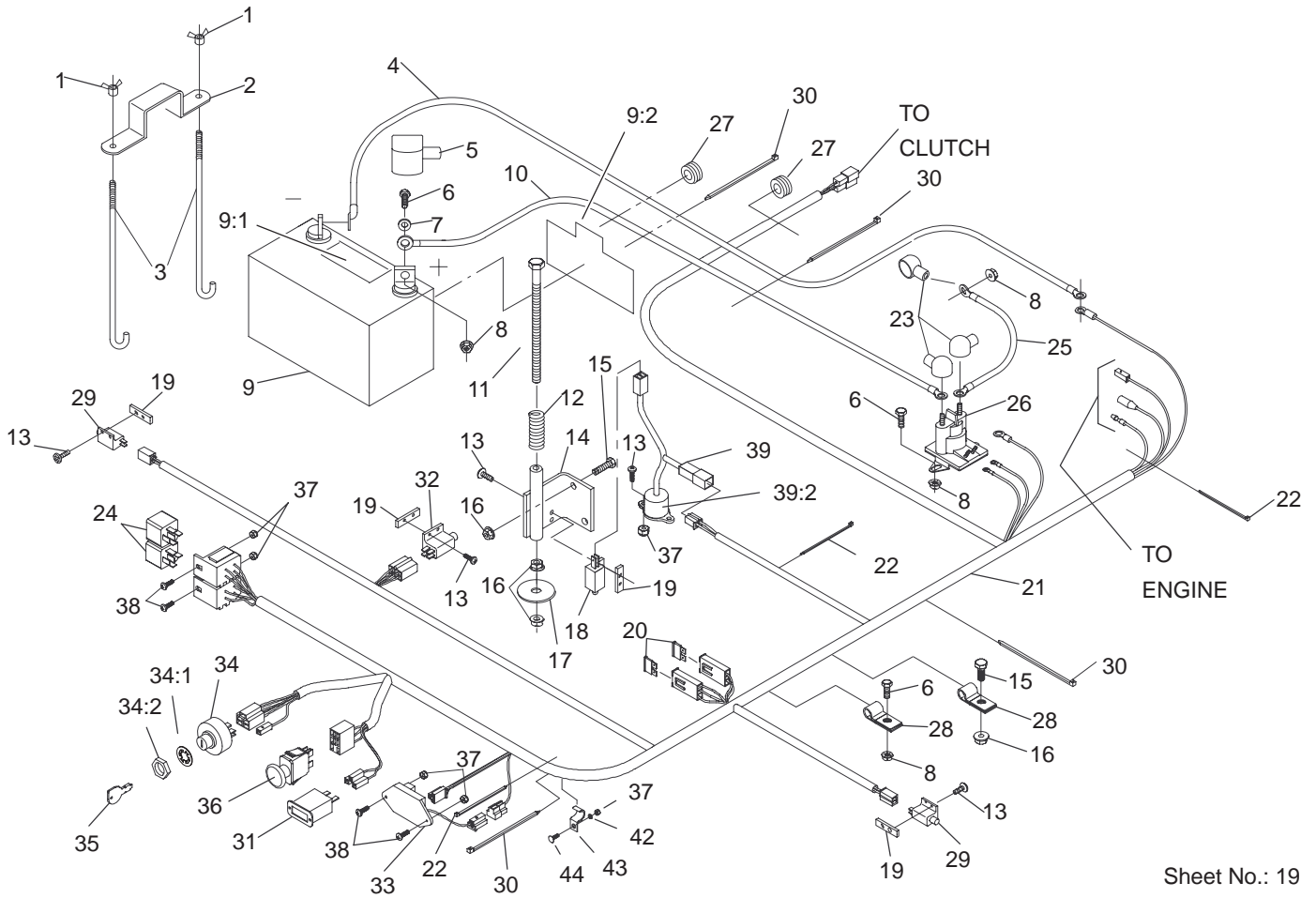


Sheet No.: 16

Idler, Pulley/Lift Strut, Chain Assembly

Ref. No.	Part No.	Qty.	Description
1	3217-7	1	Nut-Hex
3	3256-24	3	Washer-Flat
4	1-613098	2	Pulley-Idler
5	98-5975	3	Washer-Belleville
6	323-6	3	Screw-HH
8	1-633151	1	Spring-Extension
9	302-40	1	Fitting-Grease
10	1-413099	1	Pulley-Idler
11	99-3879	1	Idler Arm ASM
11:2	1-513034	2	Sleeve-Bearing
12	1-603384	1	Bushing-Pivot, Idler
13	3296-29	2	Nut-Lock, NI
14	3217-11	2	Nut-Hex
15	3253-8	2	Washer-Lock
16	1-800344	2	Screw
17	103-1081	2	Strut ASM
17:1	103-1072-01	1	Strut-Deck
17:2	3219-6	1	Nut-Hex
17:3	1-633029	1	Balljoint-Spherical
18	302-19	4	Fitting-Grease
19	1-632199-01	2	Pin-Strut, Deck
20	322-3	2	Screw-HH
21	1-800811	8	Screw-Cap, HH
22	32128-37	16	Nut-HF
23	1-633447	4	Chain-Lift, Deck
24	99-3946-01	1	Plate-Retainer, Bolt

Ref. No.	Part No.	Qty.	Description
25	1-800805	1	Screw-HH
26	94-2547	1	Bolt-Eye
27	3296-39	2	Nut-Lock, NI
28	1-809107	2	Washer-Hardened



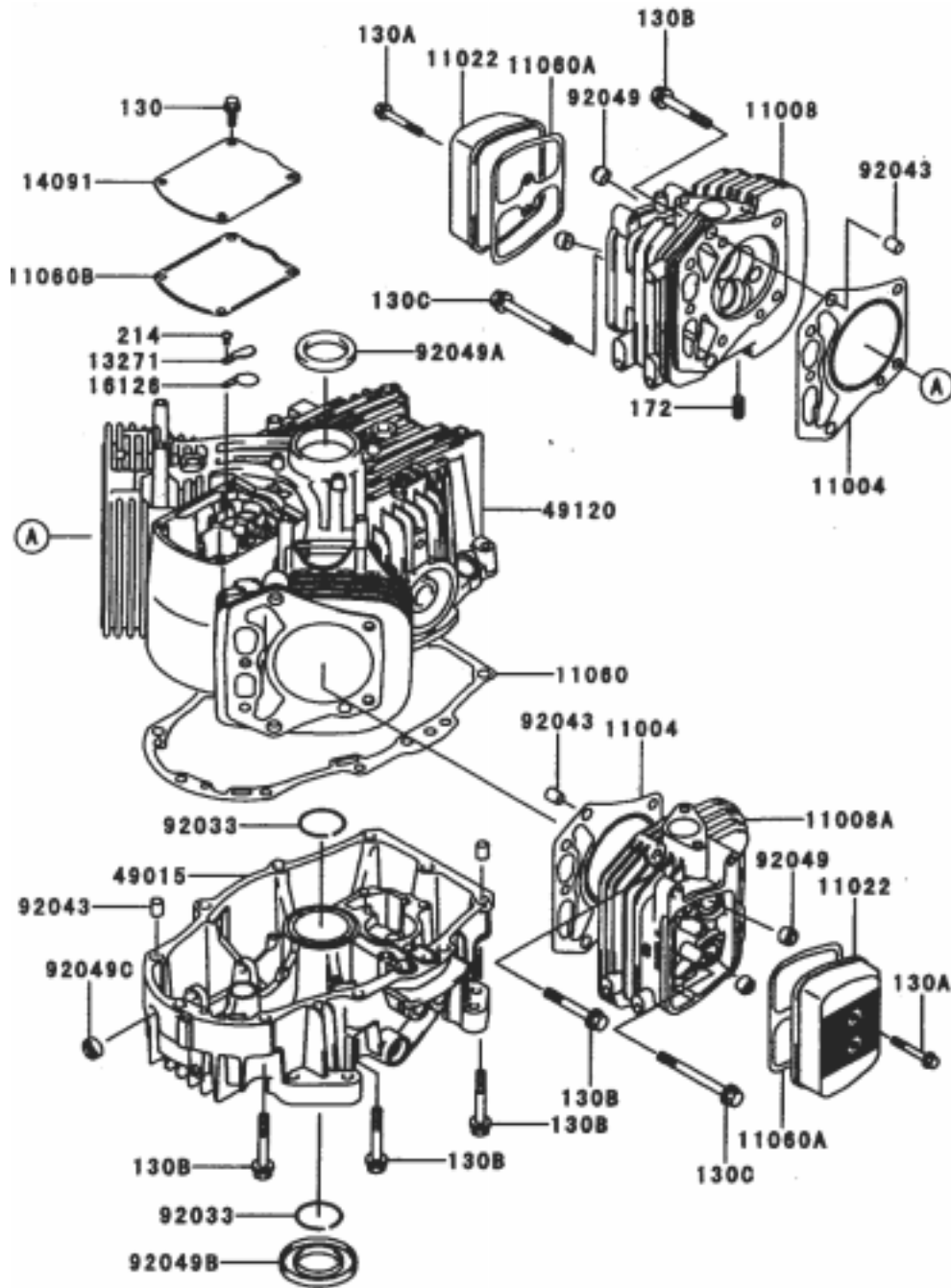
Sheet No.: 19

Electrical System Assembly

Ref. No.	Part No.	Qty.	Description
1	1-543792	2	Wingnut
2	1-633652-03	1	Strap-Holddown, Battery
3	1-633651	2	Bolt-Holddown
4	103-0705	1	Cable-Ground, Negative
5	1-543391	1	Insulator-Battery
6	321-4	5	Screw-HH
7	3256-2	2	Washer-Flat
8	32128-33	6	Nut-HF
9	105-1692	1	Battery - 230 Cca
9:1	104-4163	1	Decal-Battery
9:2	104-4164	1	Decal-Battery
10	103-0707	1	Cable-Battery, Pos.
11	1-800282	1	Screw-HH
12	1-523415	1	Spring-Switch, Seat
13	3290-500	10	Screw-PPH
14	1-652072-03	1	Bracket-Switch, Seat
15	322-3	3	Screw-HH
16	32128-20	5	Nut-HF
17	1-653036	1	Washer
18	1-513152	1	Switch-Closed, Normally
19	1-633181	4	Plate-Tapped
20	1-816001	2	Fuse-Type, Blade
21	103-0623	1	Harness-Wire

Ref. No.	Part No.	Qty.	Description
22	1-303287	3	Tie-Plastic
23	1-543393	3	Insulator-Solenoid
24	1-643275	2	Relay
25	1-633306	1	Wire-Starter
26	1-513075	1	Switch-Solenoid
27	1-543286	2	Grommet
28	1-633396	2	Clip-Loom
29	1-513051	2	Switch-Open, Normally
30	1-303335	4	Tie-Plastic
31	1-513374	1	Meter-Hour
32	1-633111	1	Switch
33	100-6186	1	Module-Delay, Seat
34	88-9830	1	Key Switch ASM
34:1	3254-5	1	Washer-Lock, Internal
34:2	218-461	1	Nut-HH
35	63-8360	2	Key-Ignition
36	1-633673	1	Switch-Delta
37	3296-2	7	Nut-Lock
38	1-807513	4	Bolt-CARR
39	1-644427	1	Tilt Switch ASM
39:2	1-643401	1	Decal-Switch, Mercury
42	3256-14	1	Washer-Flat
43	103-1193	1	Clip-Half, Loom
44	1-807533	1	Bolt-CARR

Cylinder/Crankcase Assembly Kawasaki FH601V-CS06

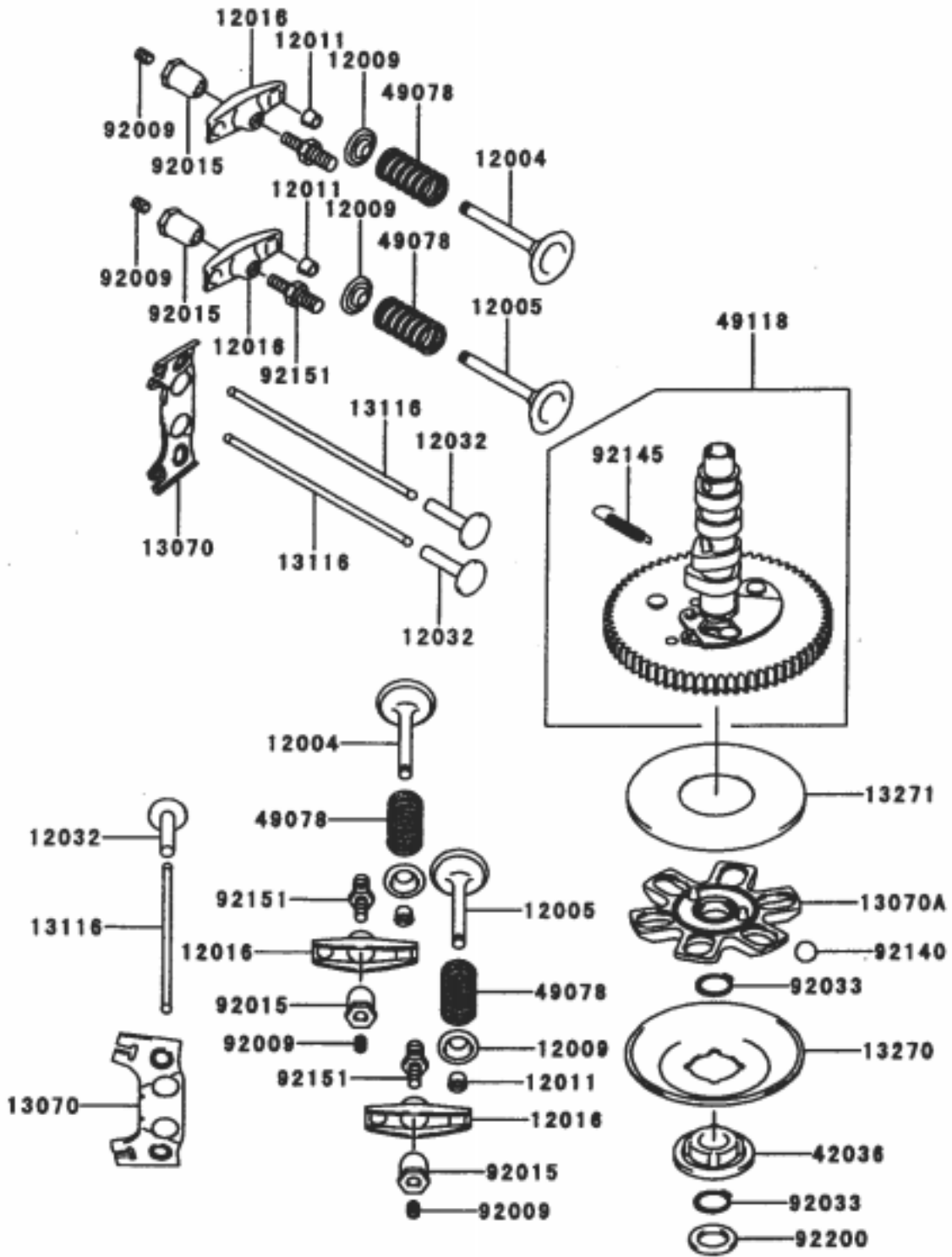


Cylinder/Crankcase Assembly Kawasaki FH601V-CS06

Ref. No.	Part No.	Qty.	Description
11004	11004-7004	2	Gasket-Head
11008	11008-7003	1	Head-Comp-Cylinder No. 1
11008A	11008-7004	1	Head-Comp-Cylinder No. 2
11022	11022-7002	2	Case-Rocker
11060	11060-7012	1	Gasket, CrankCase Cover
11060A	11060-7013	2	Gasket, Rocker Case
11060B	11060-7014	1	Gasket, Breather
13271	13271-7006	1	Plate
14090	14091-7004	1	Cover
16126	16126-7001	1	Valve
49015	49015-6220	1	Cover-Crankcase
49120	49120-6122	1	Crankcase-Comp
92033	92033-7004	2	Ring-Snap
92043	92043-7001	6	Pin
92049	92049-7001	4	Seal-Oil
92049A	92049-7002	1	Seal-Oil
92049B	92049-7004	1	Seal-Oil
92049C	92049-7005	1	Seal-Oil
130	130B0612	4	Bolt-Flanged
130A	130B0640	4	Bolt-Flanged
130B	130T0850	18	Bolt-Flanged
130C	130T0875	2	Bolt-Flanged
172	172G0818	4	Bolt-Stud
214	214B0408	1	Screw-Pan

Ref. No.	Part No.	Qty.	Description

Valve/Camshaft Assembly Kawasaki FH601V-CS06

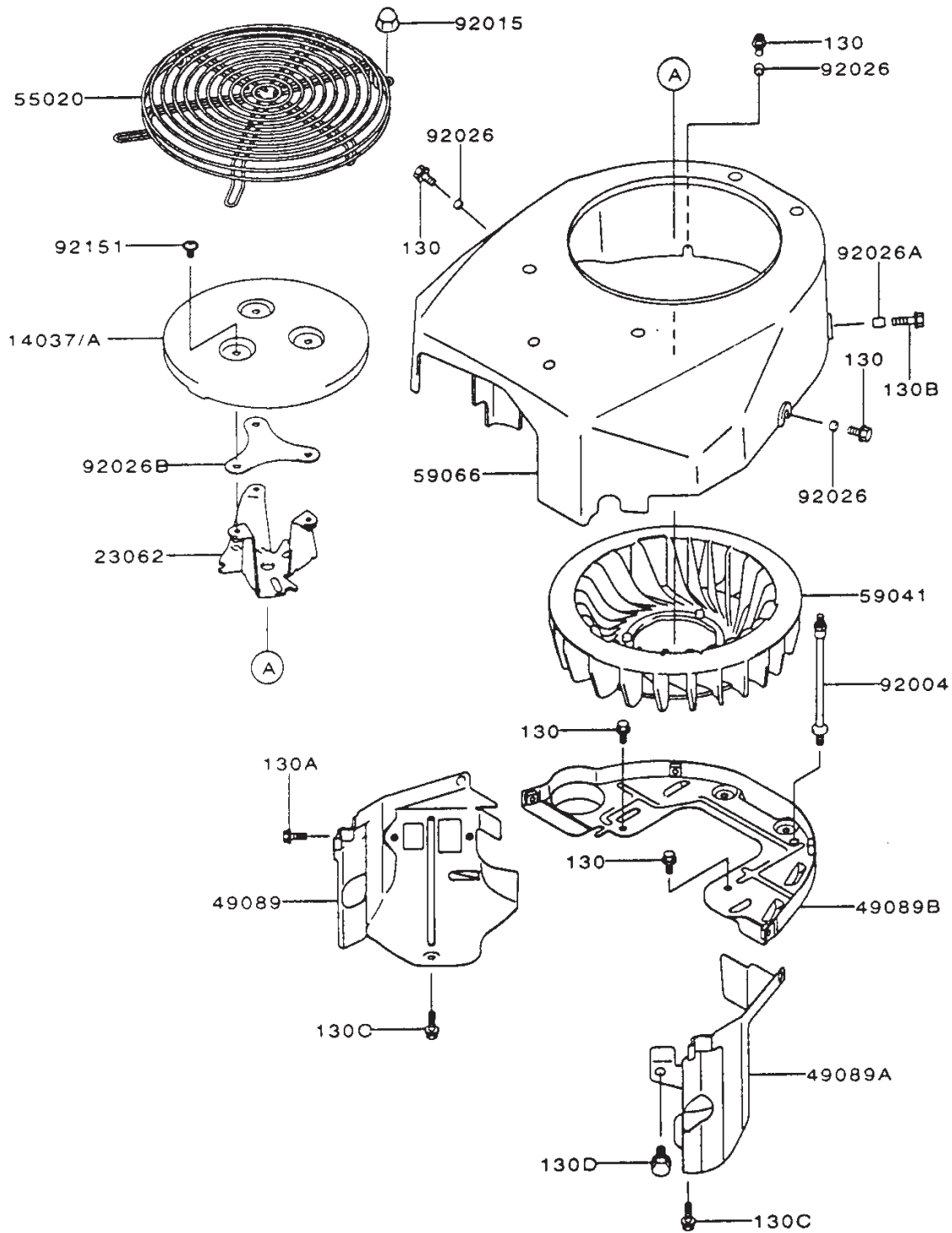


Valve/Camshaft Assembly Kawasaki FH601V-CS06

Ref. No.	Part No.	Qty.	Description
12004	12004-7002	2	Valve-Intake
12005	12005-7002	2	Valve-Exhaust
12009	12009-7001	4	Retainer-Valve Spring
12011	12011-2056	8	Collet
12016	12016-7002	4	Arm-Rocker
12032	12032-7001	4	Tappet
13070	13070-7003	2	Guide
13070A	13070-7004	1	Guide
13116	13116-7001	4	Rod-Push
13270	13270-7002	1	Plate
13271	13271-7007	1	Plate
42036	42036-7001	1	Sleeve
49078	49078-7002	4	Spring-Engine Valve
49118	49118-7003	1	Camshaft-Comp
92009	92009-2341	4	Screw
92015	92015-2253	4	Nut
92033	92033-7001	2	Ring-Snap
92140	92140-7002	6	Ball
92145	92145-7001	1	Spring
92151	92151-7001	4	Bolt
92200	92200-7001	1	Washer

Ref. No.	Part No.	Qty.	Description

Cooling-Equipment Assembly Kawasaki FH601V-CS06

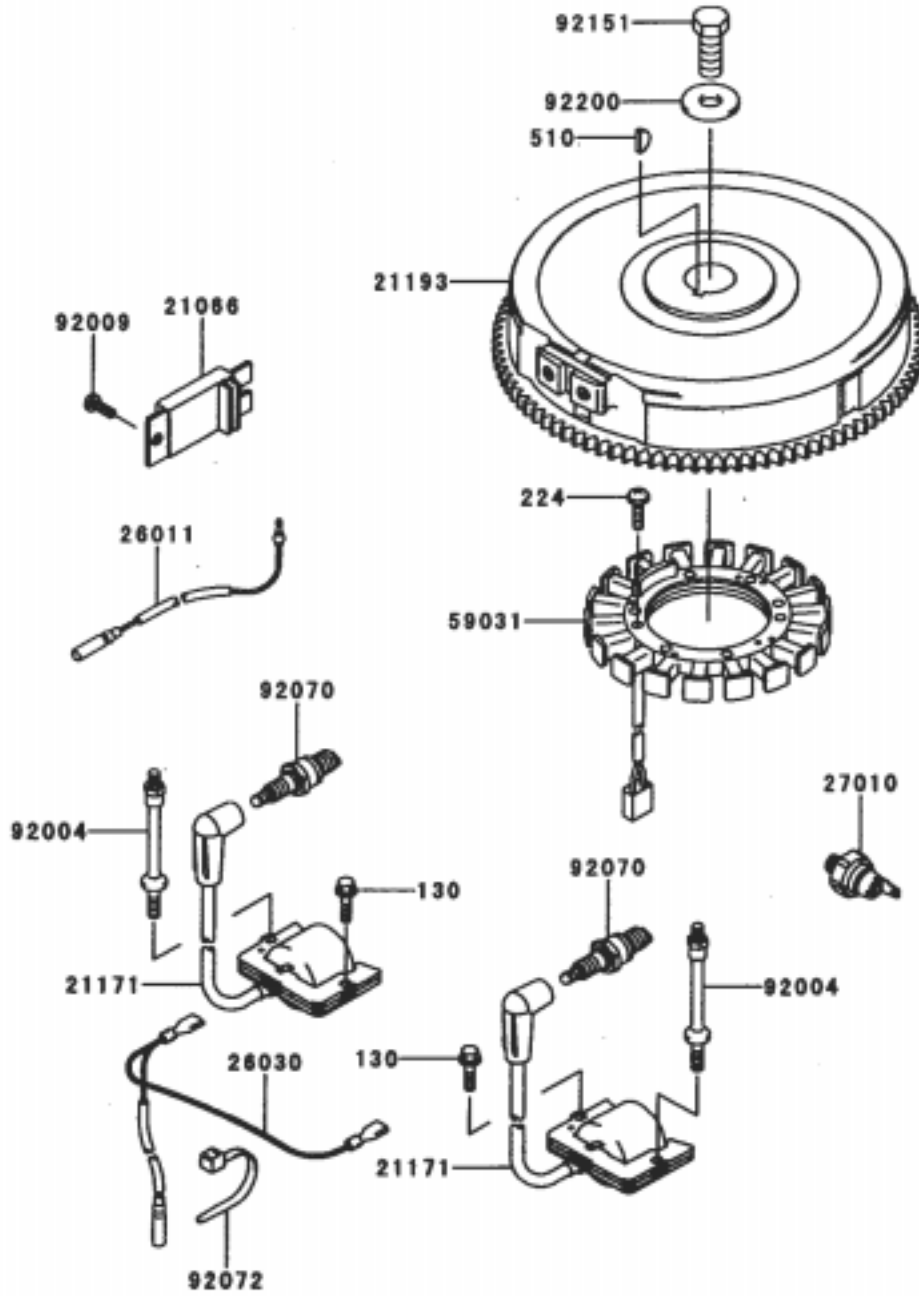


Cooling-Equipment Assembly Kawasaki FH601V-CS06

Ref. No.	Part No.	Qty.	Description
13270	13270-7007	1	Plate
14037	14037-7008-9H	1	Screen
14091	14091-7002	1	Cover
23062	23062-7005	1	Bracket-Comp
49089	49089-7004	1	Shroud-Engine
49089A	49089-7005	1	Shroud-Engine
49089B	49089-7006	1	Shroud-Engine
55020	55020-7002	1	Guard
59041	59041-7003	1	Fan
59066	59066-7004	1	Housing-Fan
92004	92004-2148	2	Stud
92015	92015-1170	4	Nut
92026	92026-7001	3	Spacer, 6.2x7.9x5
92026A	92026-7003	1	Spacer, 6.5x7.9x10.5
92026B	92026-7007	1	Spacer
92151	92151-7009	3	Bolt, 6x10
130	130B0612	5	Bolt-Flanged
130A	130B0620	2	Bolt-Flanged
130B	130B0816	1	Bolt-Flanged

Ref. No.	Part No.	Qty.	Description

Electric-Equipment Assembly Kawasaki FH601V-CS06

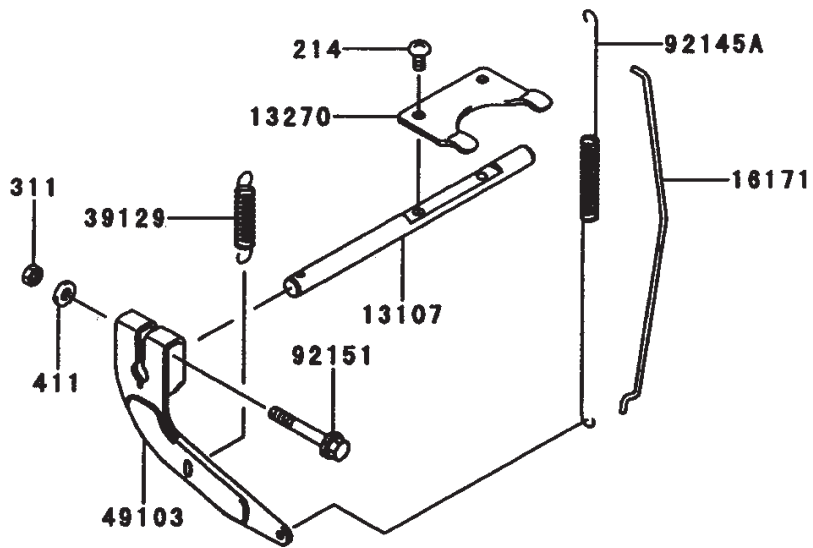
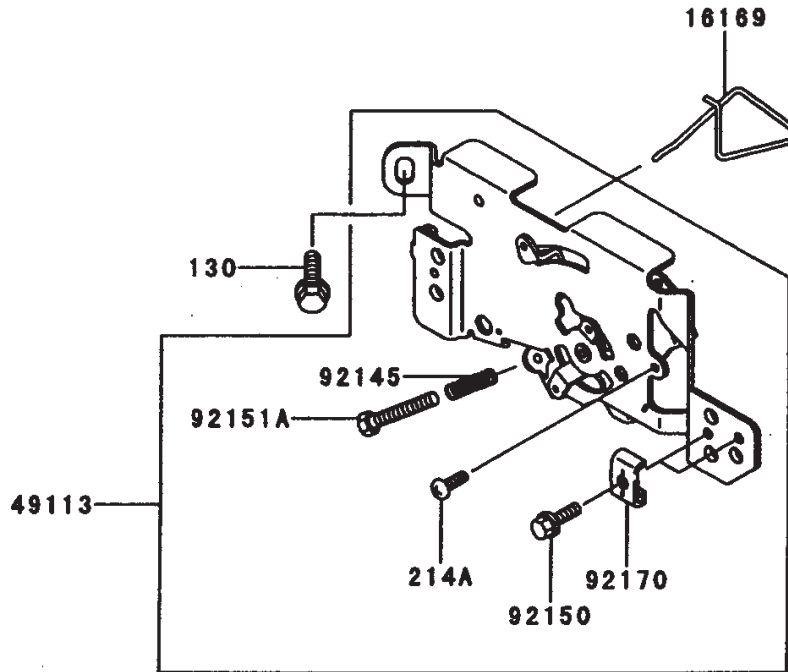


Electric-Equipment Assembly Kawasaki FH601V-CS06

Ref. No.	Part No.	Qty.	Description
21066	21066-7003	1	Regulator-Voltage
21171	21171-7001	2	Coil-Assy-Ignition
21193	21193-7002	1	Flywheel-Assy
26011	26011-7008	1	Wire-Lead
26030	26030-7002	1	Harness
27010	27010-7001	1	Switch
59031	59031-7001	1	Coil-Charging
92004	92004-2147	2	Stud
92009	92009-2308	1	Screw
92070	92070-2088	2	Plug-Spark,BPR5ES
92072	92072-7003	2	Band
92151	92151-2097	1	Bolt, 12x30
92220	92220-7002	1	Washer
130	130B0620	1	Bolt-Flanged
224	224B0520	4	Screw-Pan-WP-Cros
510	510A5100	1	Key-Woodruff

Ref. No.	Part No.	Qty.	Description

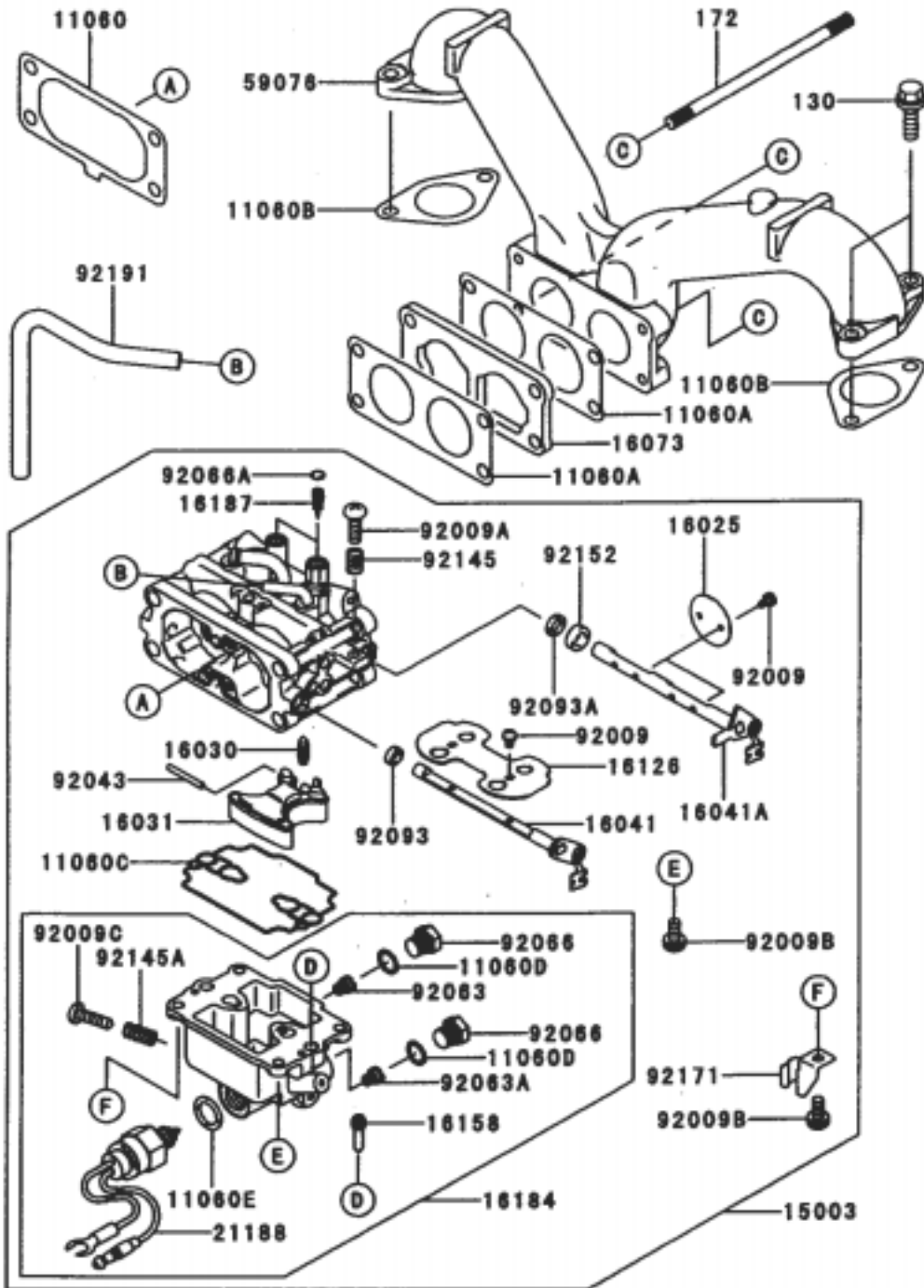
Control-Equipment Assembly Kawasaki FH601V-CS06



Control-Equipment Assembly Kawasaki FH601V-CS06

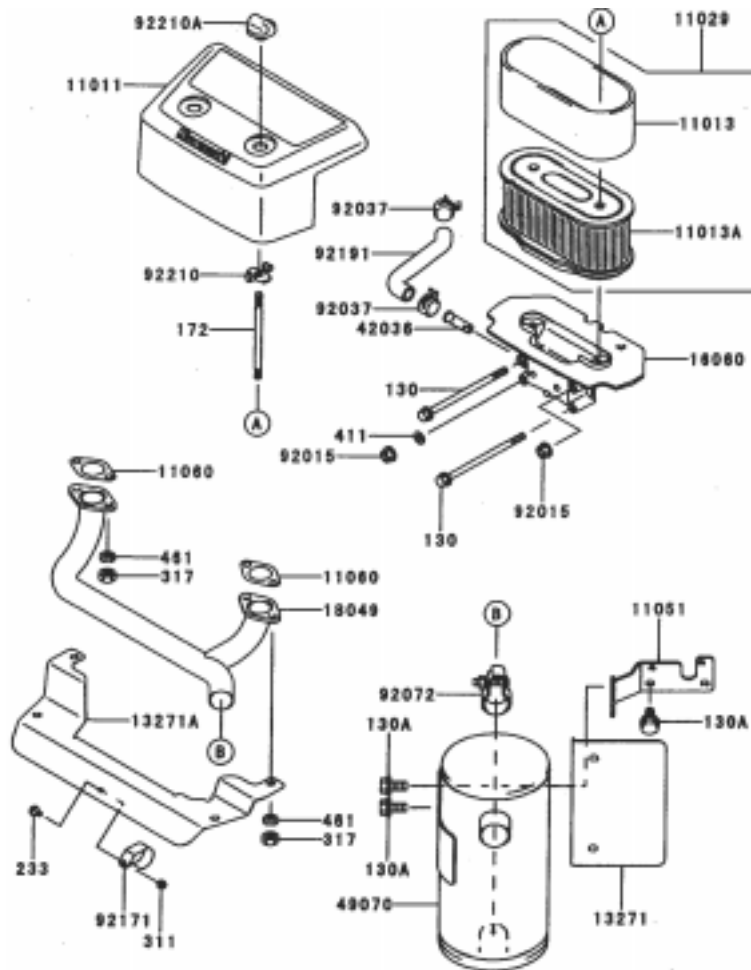
Ref. No.	Part No.	Qty.	Description	Ref. No.	Part No.	Qty.	Description
13107	13107-7004	1	Shaft				
13270	13270-7006	1	Plate				
16169	16169-7003	1	Link-Choke				
16171	16171-7004	1	Link				
39129	39129-7004	1	Spring-Governor				
49103	49103-7001	1	Arm-Governor				
49113	49113-7007	1	Panel-Comp-Control				
92145	92145-7005	1	Spring				
92145A	92145-7009	1	Spring				
92150	92150-2182	2	Bolt, 5x18				
92151	92151-7006	1	Bolt, 6x30				
92151A	92151-7014	1	Bolt, 5x30				
92170	92170-7001	2	Clamp				
130	130B0612	2	Bolt-Flanged				
214	214B0408	2	Screw-Pan				
214A	214B0412	1	Screw-Pan				
311	311B0600	1	Nut-Hex				
411	411B0600	1	Washer-Plain				

Carburetor Assembly Kawasaki FH601V-CS06



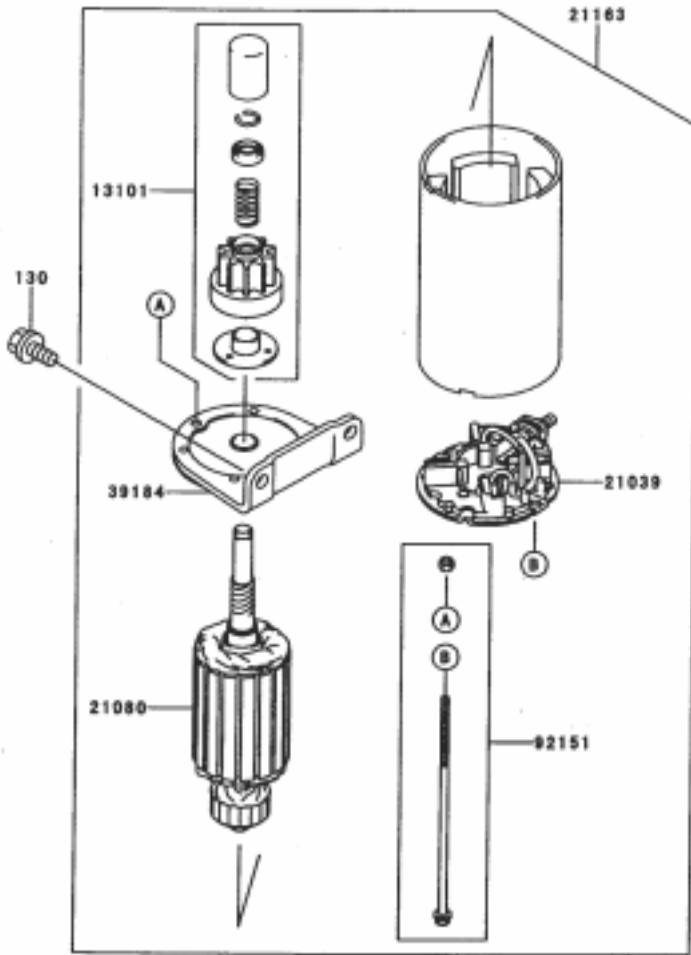
Carburetor Assembly Kawasaki FH601V-CS06

Ref. No.	Part No.	Qty.	Description	Ref. No.	Part No.	Qty.	Description
11060	11060-7009	1	Gasket, Air Filter				
11060A	11060-7010	2	Gasket, Carburetor				
11060B	11060-7011	2	Gasket				
11060C	11060-7018	1	Gasket, Float Chamber				
11060D	11060-7019	2	Gasket, Main Plug				
11060E	11060-7020	1	Gasket, Solenoid				
15003	15003-7001	1	Carburetor-Assy				
16025	16025-7001	2	Valve-Throttle				
16030	16030-7002	1	Valve-Float				
16031	16031-7001	1	Float				
16041	16041-7001	1	Shaft-Carburetor, Choke				
16041A	16041-7002	1	Shaft-Carburetor Throttle				
16073	16073-7003	1	Insulator				
16126	16126-7004	1	Valve, Choke				
16158	16158-7002	2	Jet-Slow, #60				
16184	16184-7001	1	Chamber-Assy-Float				
16187	16187-7002	2	Needle-Jet				
21188	21188-7001	1	Solenoid				
59076	59076-7002	1	Manifold-Intake				
92009	92009-7003	6	Screw				
92009A	92009-7004	1	Screw				
92009B	92009-7005	4	Screw				
92009C	92009-7006	1	Screw, Drain				
92043	92043-7004	1	Pin-Float				
92063	92063-7001	1	Jet-Main, #104				
92063A	92063-7002	1	Jet-Main, #106				
92066	92066-7008	2	Plug, Main Jet				
92066A	92066-7009	2	Plug, Extension				
92093	92093-7001	1	Seal				
92093A	92093-7002	2	Seal				
92145	92145-7010	1	Spring				
92145A	92145-7011	1	Spring				
92152	92152-7001	1	Collar				
92171	92171-7001	1	Clamp				
92191	92191-7010	1	Tube				
130	130B0620	4	Bolt-Flanged				
172	172G0105	2	Bolt-Stud				



Air-Filter/Muffler Assembly Kawasaki FH601V-CS06

Ref. No.	Part No.	Qty.	Description	Ref. No.	Part No.	Qty.	Description
11011	11011-7003	1	Case-Air Filter	411	411B0600	1	Washer-Plain
11013	11013-7009	1	Element-Air Filter	461	461F0800	4	Washer-Spring
11013A	11013-7010	1	Element-Air Filter				
11029	11029-7002	1	Element-Assy-Air Filter				
11051	11051-7002-9H	1	Bracket				
11060	11060-7016	2	Gasket, Muffler				
13271	13271-7008-9X	1	Plate				
13271A	13271-7009-9X	1	Plate				
16060	16060-7001	1	Pipe-Intake				
18049	18049-7003	1	Pipe-Exhaust				
42036	42036-7002	1	Sleeve				
49070	49070-7004	1	Muffler-Comp				
92015	92015-1193	2	Nut				
92037	92037-2079	2	Clamp				
92072	92072-7005	1	Band				
92171	92171-7002	1	Clamp				
92191	92191-7006	1	Tube				
92210	92210-7004	2	Nut				
92210A	92210-7008	2	Nut				
130	130B06105	2	Bolt-Flanged				
130A	130B0816	3	Bolt-Flanged				
172	172G0690	2	Bolt-Stud				
233	233B0416	1	Screw-Pan-WP				
311	311B0400	1	Nut-Hex				
317	317R0800	4	Nut-Hex-Small				



Starter/Decal – Kawasaki FH601V-CS06

Ref. No.	Part No.	Qty.	Description
13101	13101-7001	1	Gear-Assy
21039	21039-7001	1	Brush
21080	21080-7001	1	Armature
21163	21163-7001	1	Starter-Electric
39184	39184-7001	1	Bracket-Assy
92151	92151-7013	1	Bolt
130	130B0816	1	Bolt-Flanged
56033	56033-7001	1	Decal-Manual
56080	56080-7006	1	Decal-Brand

Ref. No.	Part No.	Qty.	Description

