



17-44HXL Indy Special Edition

Wheel Horse® Lawn Tractor

Model No. 71233-22000001 and Up

Parts Catalog

Ordering Replacement Parts

To order replacement parts, please supply: the part number, the quantity, and the description of each part desired.

Understanding Reference Numbers

Each identified part in an illustration has a reference number. The reference number for a part also appears in the parts list, along with other information about the part.

This catalog uses two special reference number formats, one to indicate parts in a service assembly and another to indicate the quantity of a given part in an illustration.

Service Assembly Reference Numbers

Parts in service assemblies have reference numbers in the form **a:b**. The **a** represents the reference number of the entire service assembly and the **b** represents a sequential number unique to each part within the service assembly.

For example, a wheel assembly might be identified by reference number **6**, the tire by **6:1**, the valve by **6:2**, and the wheel by **6:3**. When you order the assembly identified by reference number **6**, you receive all parts identified by reference numbers **6:1**, **6:2**, and **6:3**. However, you may also order any part individually.

Reference numbers of this type appear in illustrations and in part lists.

Reference Numbers Indicating Quantity

In an illustration, if a reference number indicates more than one part, the reference number has the form **nX y**. The **n** represents the quantity of the part, the **X** is the multiplication symbol, and the **y** represents the reference number.

For example, in an illustration, the reference number **2X 37** means that two of the parts identified by reference number **37** are indicated.

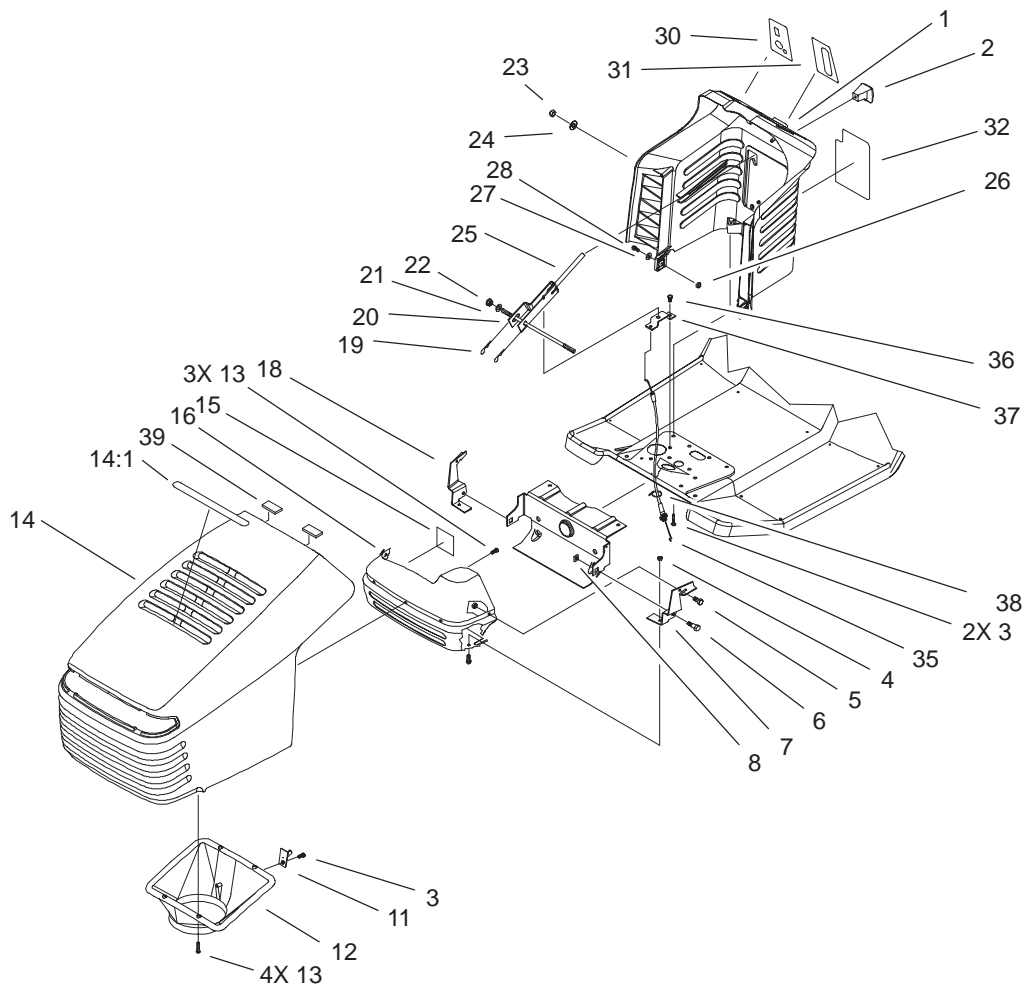
Contents

Description	Page	Description	Page
Frame and Body Assembly	3	Oil Filter, Tube and Pump Assembly Engine Briggs and Stratton Model 31F777-0123-E1	23
Hood and Tower Assembly	4	Carburetor Assembly Engine Briggs and Stratton Model 31F777-0123-E1	24
Rear Body and Seat Assembly	5	Air Cleaner Assembly Engine Briggs and Stratton Model 31F777-0123-E1	25
Steering Assembly	6	Governor Assembly Engine Briggs and Stratton Model 31F777-0123-E1	26
Steering Assembly	7	Blower Housing Assembly Engine Briggs and Stratton Model 31F777-0123-E1	27
Engine System Assembly	8	Starter Assembly Engine Briggs and Stratton Model 31F777-0123-E1	28
Traction Brake Assembly	9	Gasket Assembly Engine Briggs and Stratton Model 31F777-0123-E1	29
Wheel and Tire Assembly	10	Carburetor Overhaul Kit Assembly Engine Briggs and Stratton Model 31F777-0123-E1	30
Hydro Transaxle Assembly	11		
Hydro Transaxle Controls and NMIR Assembly .	12		
Height of Cut Assembly	13		
Electrical Assembly	14		
Electrical Schematic	15		
Housing and Bearing Assembly	16		
Gear Assembly	17		
Axle Assembly	18		
Cylinder Assembly Engine Briggs and Stratton Model 31F777-0123-E1	19		
Cylinder Head Assembly Engine Briggs and Stratton Model 31F777-0123-E1	20		
Crankshaft Assembly Engine Briggs and Stratton Model 31F777-0123-E1	21		
Crankcase Assembly Engine Briggs and Stratton Model 31F777-0123-E1	22		

Part Description Abbreviations

Part descriptions in this catalog may include the following abbreviations.

Abbreviation	Meaning	Abbreviation	Meaning
AR	as required	INC	incorporated
ASM	assembly	LH	left hand
CARR	carriage	NI	nylon insert
DEG	degrees	PPH	Phillips pan head
FH	flat head	PTH	Phillips truss head
GA	gauge	PTO	power take off
HF	hex flange	RH	right hand
HH	hex head	SFH	slotted fillister head
HHF	hex head flange	SHH	slotted hex head
HLH	hex lag head	SQH	square head
HJ	hex jam	SHWH	slotted hex washer head
HOC	height-of-cut	SPH	slotted pan head
HS	hex socket	SRH	slotted round head
HSBH	hex socket button head	STD	standard
HSFH	hex socket flat head	TAP	self tapping
HSH	hex socket head	TTH	Torx truss head
HWH	hex washer head	WH	wing head
HWHTF	hex washer head thread forming		

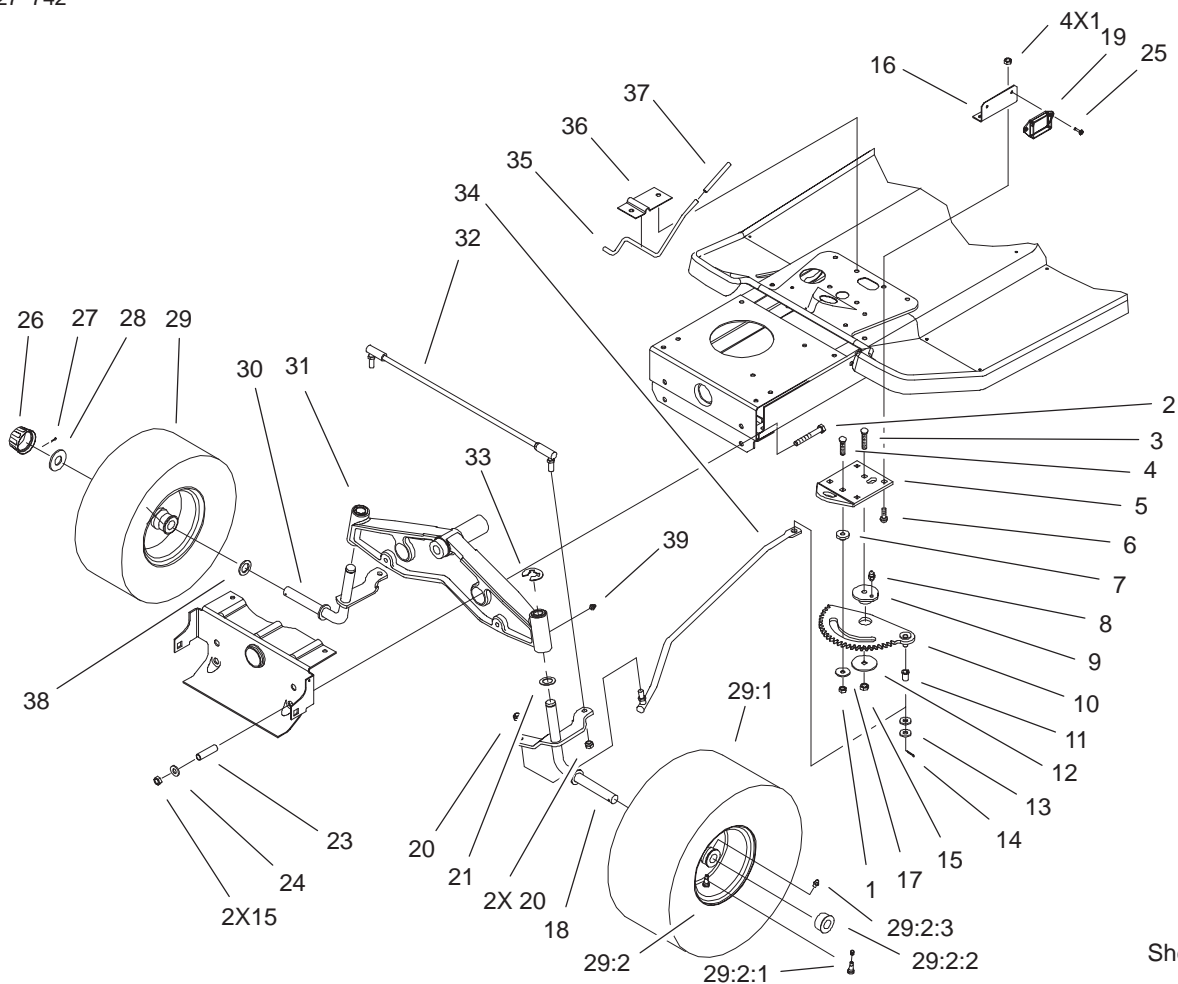


Sheet No.:3

Hood and Tower Assembly

Ref. No.	Part No.	Qty.	Description
1	99-1947	1	Tower-Steering
2	94-5565	1	Knob-Shift
3	46-8091	3	Screw-HWH
4	3296-42	4	Nut-Lock, NI
5	321-2	4	Screw-HH
6	28-0540	2	Bolt-Shoulder
7	88-6050-03	1	Bracket-Hinge, LH
8	3290-496	2	Nut-Retainer
11	94-1984	1	Latch-Pin
12	93-3891	1	Duct-Hood Air
13	46-8090	7	Screw-Plastite
14	92-8650	1	Hood-V-Chassis Toro
14:1	92-5748	1	Decal-Air Duct, Toro
15	92-5782	3	Tape-Foil
16	93-3864-03	1	Shield-Heat
18	88-6040-03	1	Bracket-Hinge, RH
19	3290-307	2	Pin-Hair
20	100-7401	1	Rod-Tower, Pivot
21	3256-24	2	Washer-Flat
22	3218-3	2	Nut-Jam
23	100-7402	2	Nut-Cap
24	100-7403	2	Washer-Flat
25	88-5190-03	1	Lever-Deck, Engage
26	3296-29	2	Nut-Lock, NI
27	3256-23	2	Washer-Flat

Ref. No.	Part No.	Qty.	Description
28	322-3	2	Screw-HH
30	99-8139	1	Decal-Ignition/Lights
31	92-2461	1	Decal-Throttle
32	92-2462	1	Decal-Deck, Engage
35	99-6838	1	44 Inch Deck Cable ASM
36	9266714	2	Screw-HWH
37	93-3849	1	Bracket-Upper, Cable
38	614249	1	Tie-Strap
39	94-1980	2	Foam-Hood



Sheet No.:5

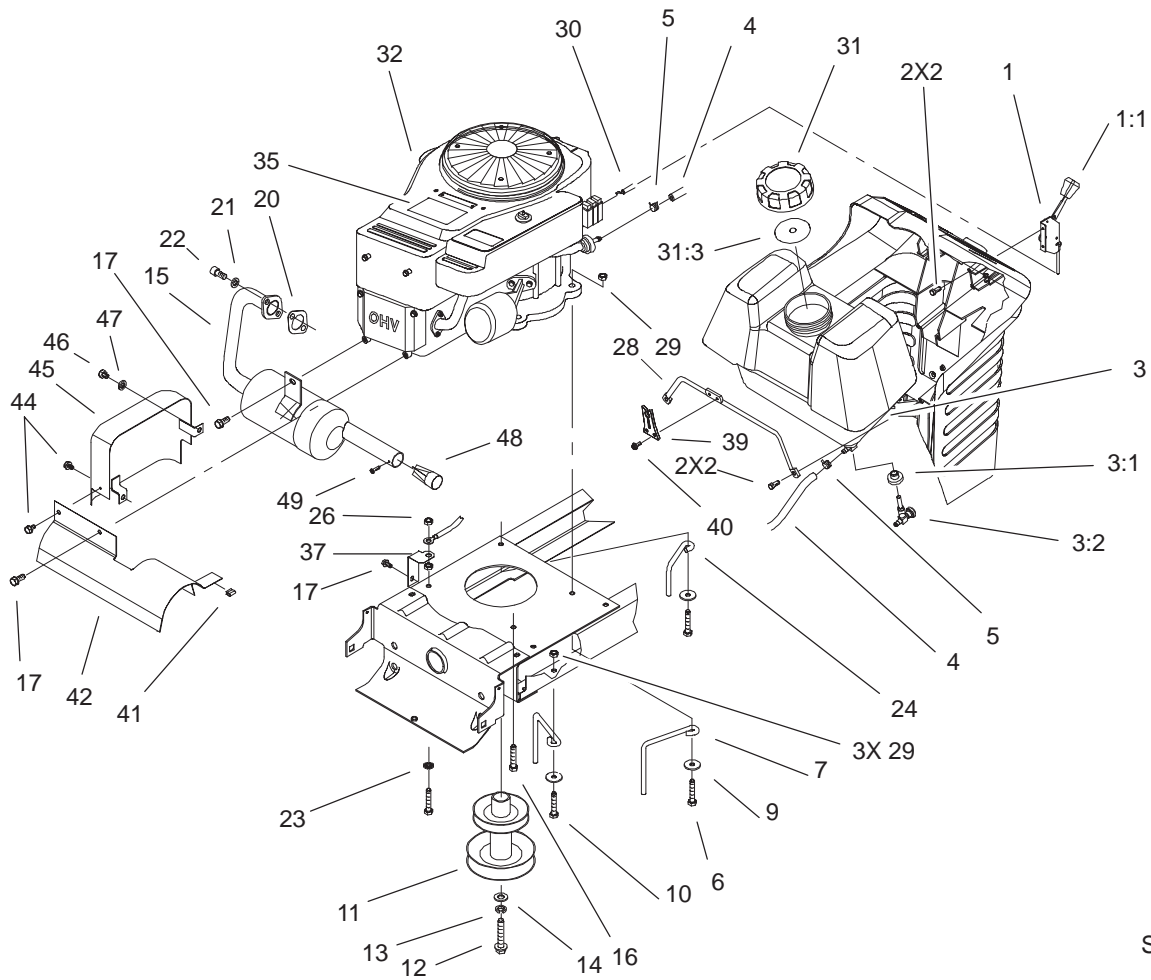
Steering Assembly

Ref. No.	Part No.	Qty.	Description
1	3296-29	5	Nut-Lock, NI
2	323-13	2	Screw-HH
3	3231-4	1	Screw-CARR
4	3230-3	1	Screw-CARR
5	88-5130-03	1	Bracket-Steering Rack
6	3230-2	4	Screw-CARR
7	88-5010	1	Spacer-Steering, Rack
8	302-26	1	Fitting-Grease
9	88-4670	1	Bushing-Eccentric
10	88-5200	1	Rack-Steering
11	52-2891	1	Bushing-Link, Steering
12	111419	1	Bearing-Washer
13	3256-25	2	Washer-Flat
14	3272-10	1	Pin-Cotter
15	3296-39	3	Nut-Lock, NI
16	99-2956-03	1	Bracket-Module
17	5-4460	1	Washer-Pivot
18	93-3833-03	1	Spindle-LH
19	99-3700	1	Module
20	3296-5	3	Nut-Lock, NI
21	3-6498	2	Washer-Thrust
23	88-5470	2	Spacer-Front, Axle
24	3256-24	2	Washer-Flat

Ref. No.	Part No.	Qty.	Description
25	9266714	2	Screw-HWH
26	61-9780	2	Cap-Hub
27	3272-12	2	Pin-Cotter
28	28-2480	2	Washer
☆29		2	Front Wheel&tire ASM
29:1	99-2988	1	Tire
29:2	88-4370	1	Rim ASM
29:2:1	232-27	1	Stem-Valve
29:2:2	88-4400	2	Bearing-Wheel
29:2:3	302-5	1	Fitting-Grease
*	232-39	1	Tube
30	92-7889-03	1	Spindle-RH
31	99-2955-03	1	Axle-Front
32	93-3873	1	Tie Rod ASM
33	32151-48	2	E-Ring
34	93-3840	1	Link-Drag
35	88-5510	1	Rod-Parking, Brake
36	88-5520-03	1	Bracket-Parking, Brake
37	88-0890	1	Grip-Bag, Handle
38	3-6498	4	Washer-Thrust
39	302-5	2	Fitting-Grease

☆ Not serviced separately

* Not illustrated



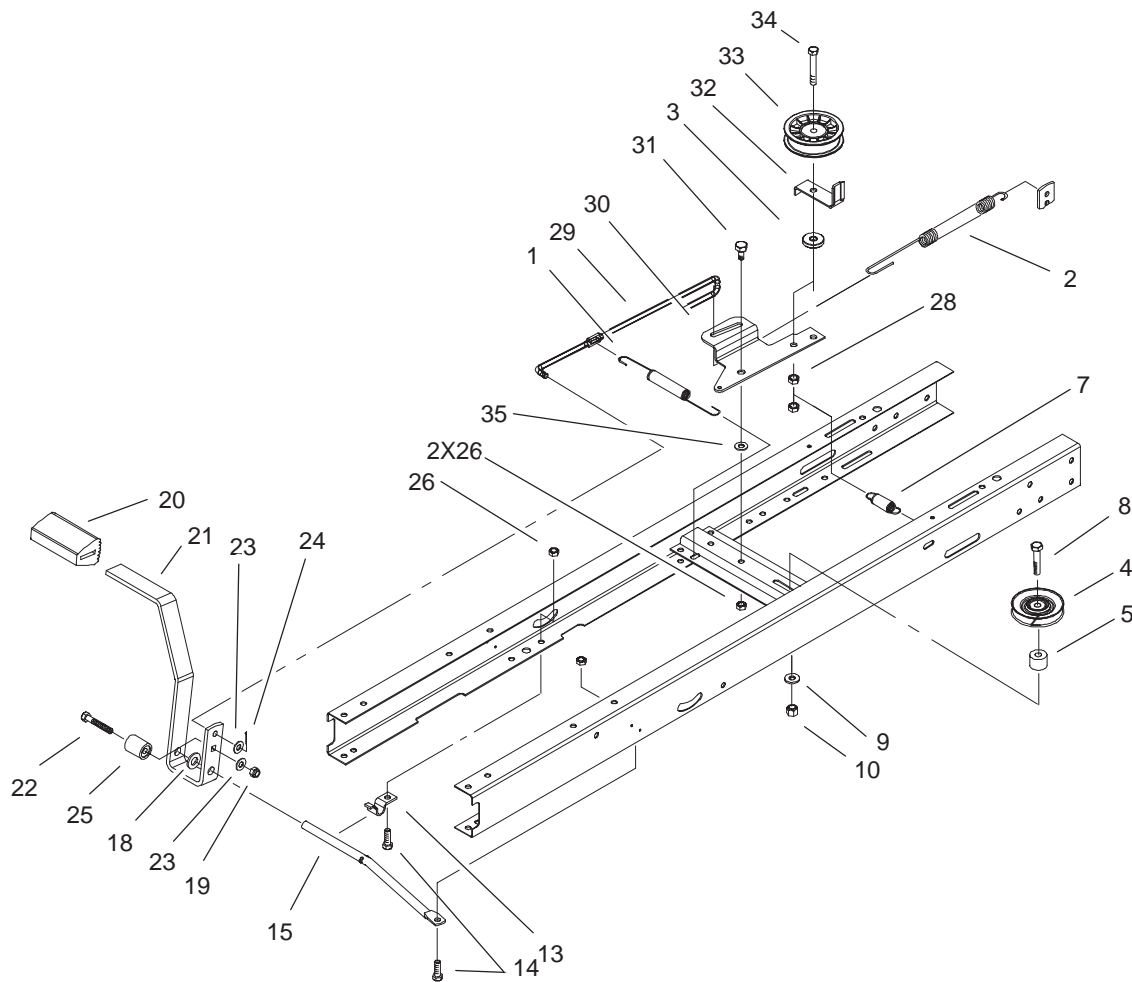
Sheet No.:7

Engine System Assembly

Ref. No.	Part No.	Qty.	Description
1	88-4340	1	Control-Throttle
1:1	66-0120	1	Knob
2	27-0220	4	Screw-Special
3	88-3880	1	Gas Tank ASM
3:1	104047	1	Bushing
3:2	104048	1	Valve-Fuel
4	47-2963	1	Hose-Fuel
5	2412-98	2	Clamp
6	322-9	3	Screw-HH
7	93-3854	3	Guide-Belt, Engine
9	5-4460	4	Washer-Pivot
10	322-5	2	Screw-HH
11	100-7414	1	Pulley-Engine
12	62-3760	1	Screw-HH
13	3253-22	1	Washer-Lock
14	3256-25	1	Washer-Flat
15	99-6845	1	Muffler-17 HP
16	9267154	1	Screw
17	9266714	3	Screw-HWH
20	88-4410	1	Gasket-Muffler
21	3253-4	2	Washer-Lock
22	3274-10	2	Screw-HSH
23	3255-8	1	Washer-Lock/Ext
24	93-3855	1	Guide-Belt, RH
26	32149-1	2	Nut
28	94-1952	1	Rod-Gas, Tank

Ref. No.	Part No.	Qty.	Description
29	3296-29	4	Nut-Lock, NI
30	88-4350	1	Cable-Throttle
31	88-3980	1	Gas Cap ASM
31:3	88-4010	1	Gasket-Cap, Gas
☆32		1	Engine-17.0 Briggs & Stratton Model 31f777-0123-E1
35	105-2468	1	Decal-Engine, 17hp
37	93-3809	1	Bracket- Ground
39	94-1951	1	Latch-Hood
40	32144-112	2	Screw-HWHTF
41	93-3882	1	Clip-Tinnerman
42	93-3880-03	1	Shield-Muffler
44	32104-76	2	Screw
45	93-8450-03	1	Exhaust Shield ASM
46	322-3	1	Screw-HH
47	3253-4	1	Washer-Lock
48	93-9911	1	Screen-Silencer, Exhaust
49	32144-42	1	Screw-HH

☆ Not serviced separately

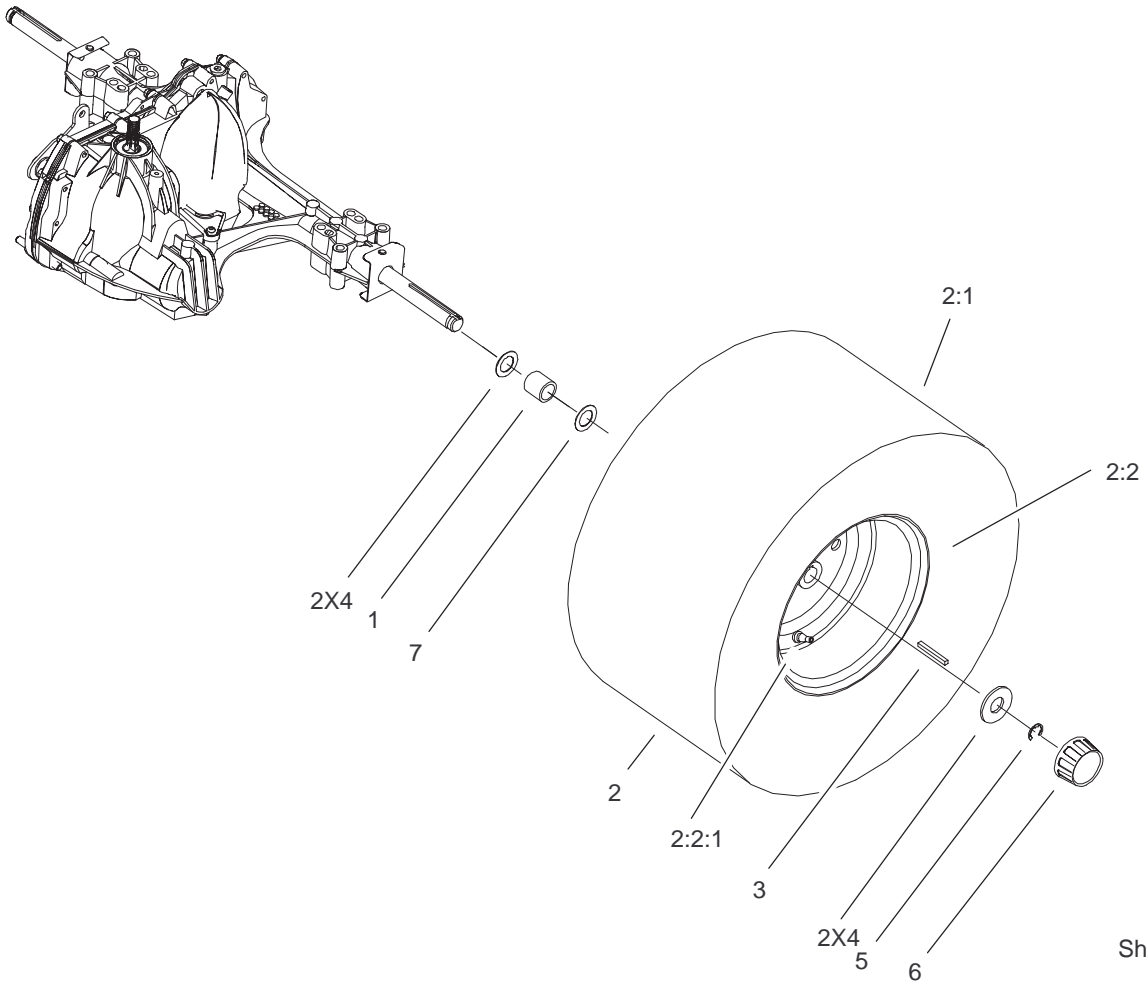


Sheet No.:8

Traction Brake Assembly

Ref. No.	Part No.	Qty.	Description
1	27-8890	1	Spring-Return
2	100-7422	1	Spring-Brake
3	92-4890	1	Washer-Wheel
4	92-7102	1	Pulley-Idler
5	92-5791	1	Spacer
7	88-6330	1	Spring-Extension
8	323-10	1	Screw-HH
9	3256-3	1	Washer-Flat
10	3296-39	1	Nut-Lock, NI
13	88-4810	1	Clamp-Shift, Pivot
14	322-3	2	Screw-HH
15	88-5500	1	Rod-Pedal, Pivot
18	3256-26	1	Washer-Flat
19	3296-47	1	Nut-Lock, NI
20	65-2920	1	Pad-Pedal
21	88-5000-03	1	Pedal-Clutch/Brake
22	322-9	1	Screw-HH
23	3256-23	2	Washer-Flat
24	3272-10	1	Pin-Cotter
25	99-6836	1	Spacer-Switch
26	3296-29	3	Nut-Lock, NI
28	3296-59	2	Nut-Lock, NI
29	88-5270	1	Rod-Clutch/Brake
30	88-6070	1	Arm-Idler
31	37-8770	1	Bolt-Shoulder
32	88-5560	1	Guide-Idler, Belt

Ref. No.	Part No.	Qty.	Description
33	104-4160	1	Pulley-Idler
34	323-11	1	Screw-HH
35	5-4460	1	Washer-Pivot



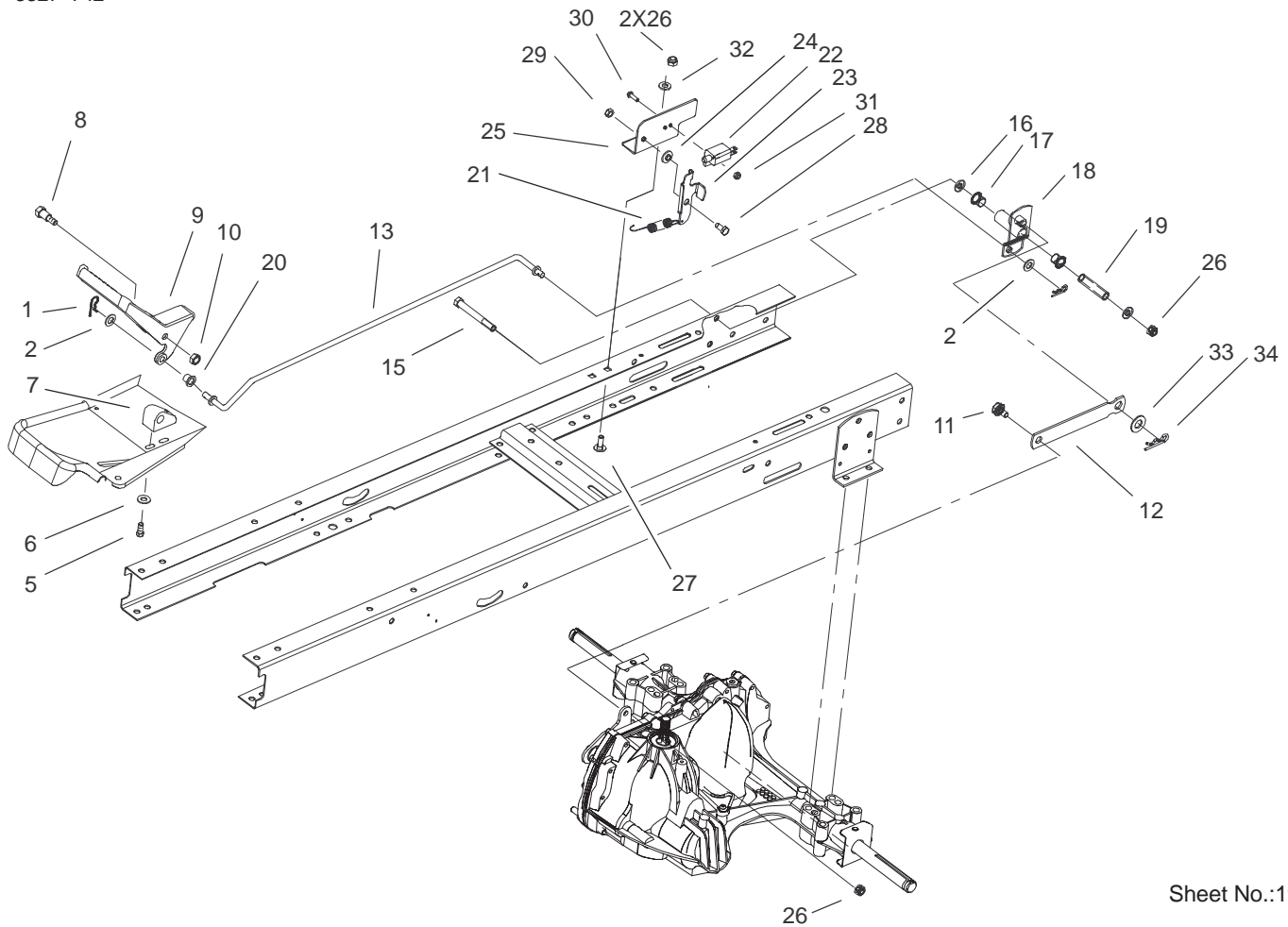
Sheet No.:9

Wheel and Tire Assembly

Ref. No.	Part No.	Qty.	Description
1	104-4161	2	Spacer-Wheel
☆2		2	Rear Wheel & Tire ASM
2:1	99-2994	1	Tire
2:2	88-4390	1	Rim ASM
2:2:1	232-27	1	Stem-Valve
*	93-3893	1	Tube - Inner
3	7-0036	2	Key
4	28-2480	4	Washer
5	32151-48	2	E-Ring
6	61-9780	2	Cap-Hub
7	3-6498	2	Washer-Thrust

Ref. No.	Part No.	Qty.	Description

☆ Not serviced separately
 * Not illustrated

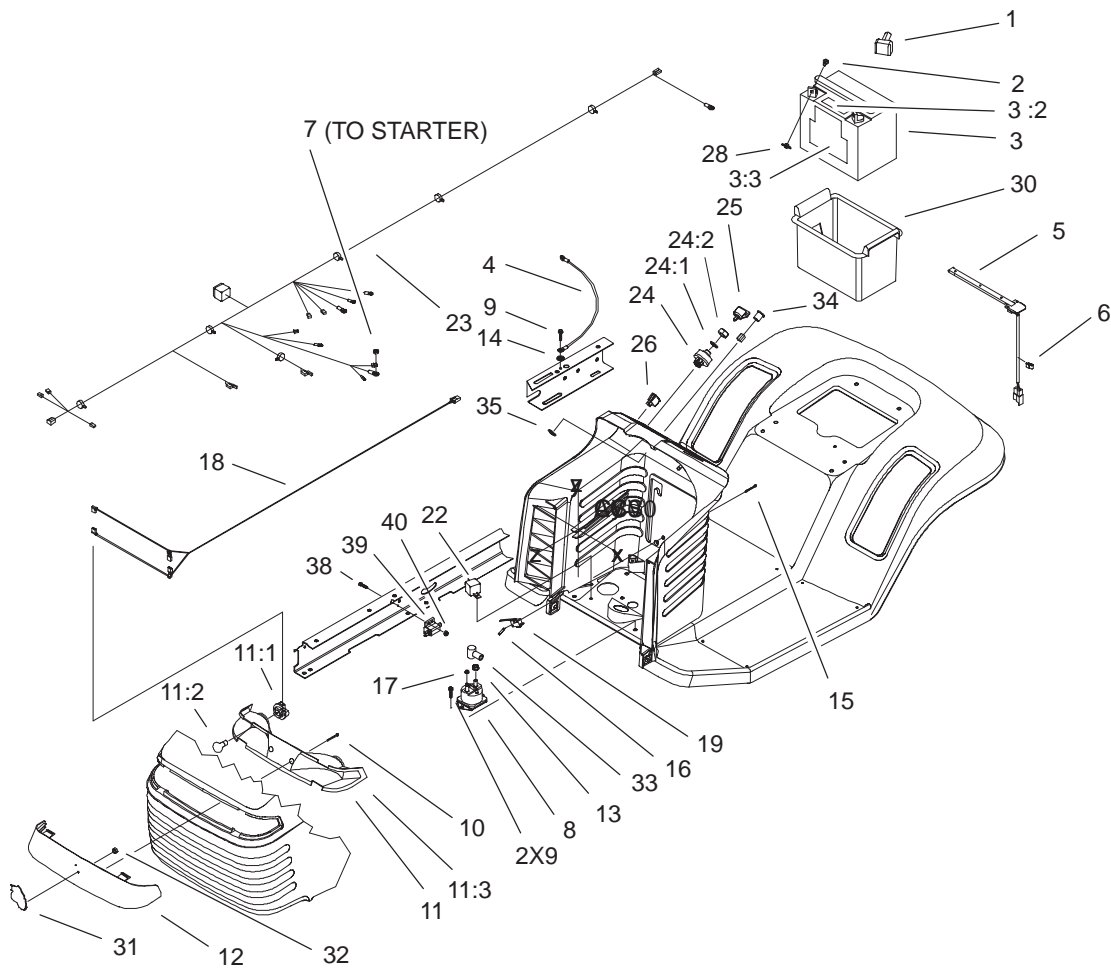


Sheet No.:11

Hydro Transaxle Control and NMIR Assembly

Ref. No.	Part No.	Qty.	Description
1	3290-307	2	Pin-Hair
2	3256-38	2	Washer-Flat
5	46-8090	2	Screw-Plastite
6	3256-22	2	Washer-Flat
7	88-4690	1	Block-Pivot
8	23-0310	1	Bolt-Shoulder
9	99-6120-05	1	Pedal-Control, Speed
10	3296-59	1	Nut-Lock, NI
11	37-8770	1	Bolt-Shoulder
12	99-6849	1	Link-Speed Control
13	99-6839	1	Rod-Control, Speed
15	322-14	1	Screw-HH
16	3256-2	2	Washer-Flat
17	256-257	2	Flange-Nyliner
18	99-6835-03	1	Pivot ASM
19	99-6832	1	Spacer-Pivot
20	99-6121	1	Bushing
21	99-6805	1	Spring-Extension
22	95-1653	1	Switch-Single Pole
23	99-6807	1	Bracket-Pivot
24	99-6808	1	Washer-Stepped
25	99-6806	1	Bracket-Adjustment
26	3296-29	4	Nut-Lock, NI
27	3230-18	2	Screw-CARR
28	99-6810	1	Screw-HH
29	3296-42	1	Nut-Lock, NI

Ref. No.	Part No.	Qty.	Description
30	3290-392	2	Screw-HHF
31	3296-1	2	Nut-Lock NI
32	3256-23	2	Washer-Flat
33	3256-26	1	Washer-Flat
34	9335054	1	Pin-Hair



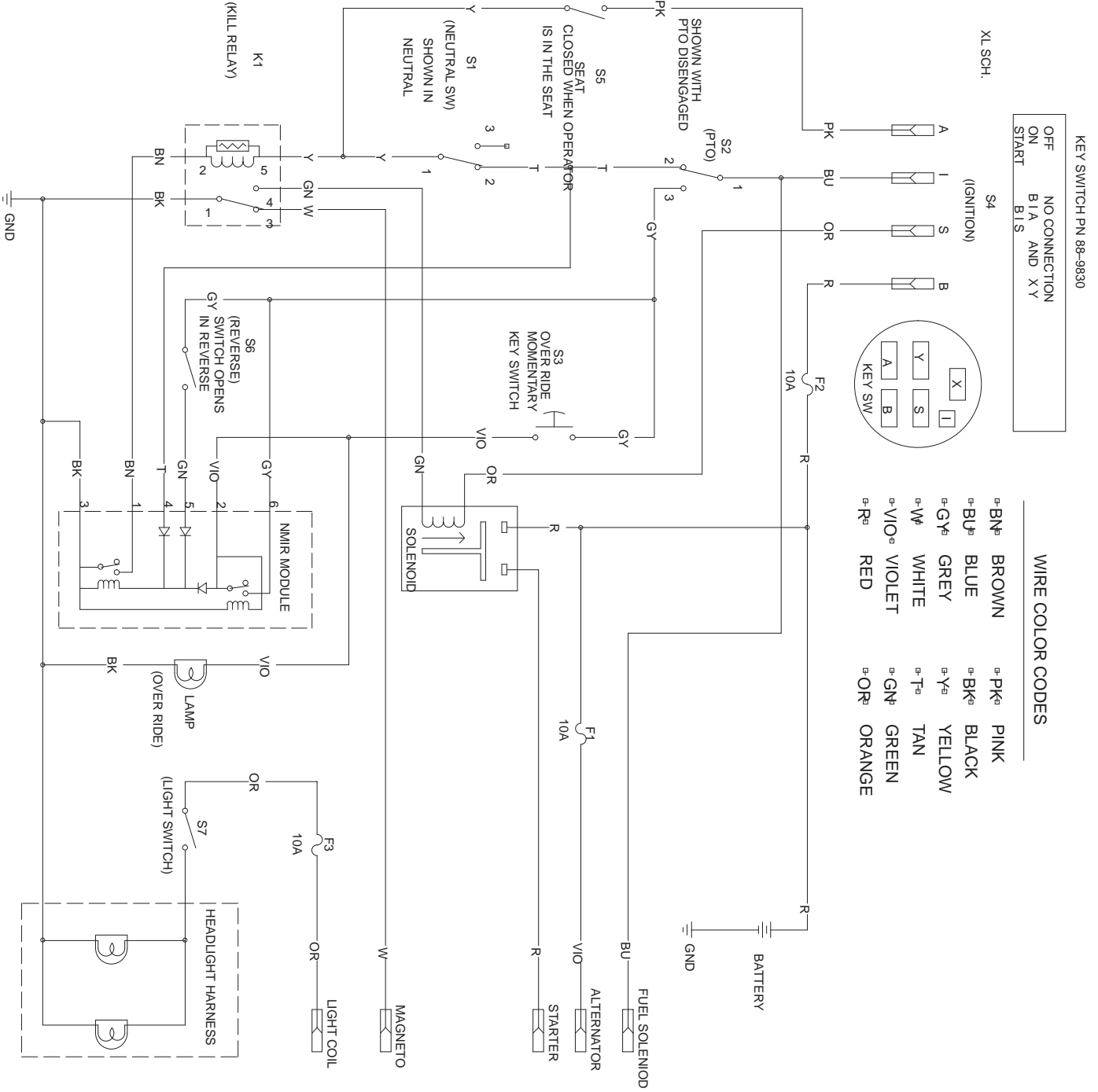
Sheet No.:13

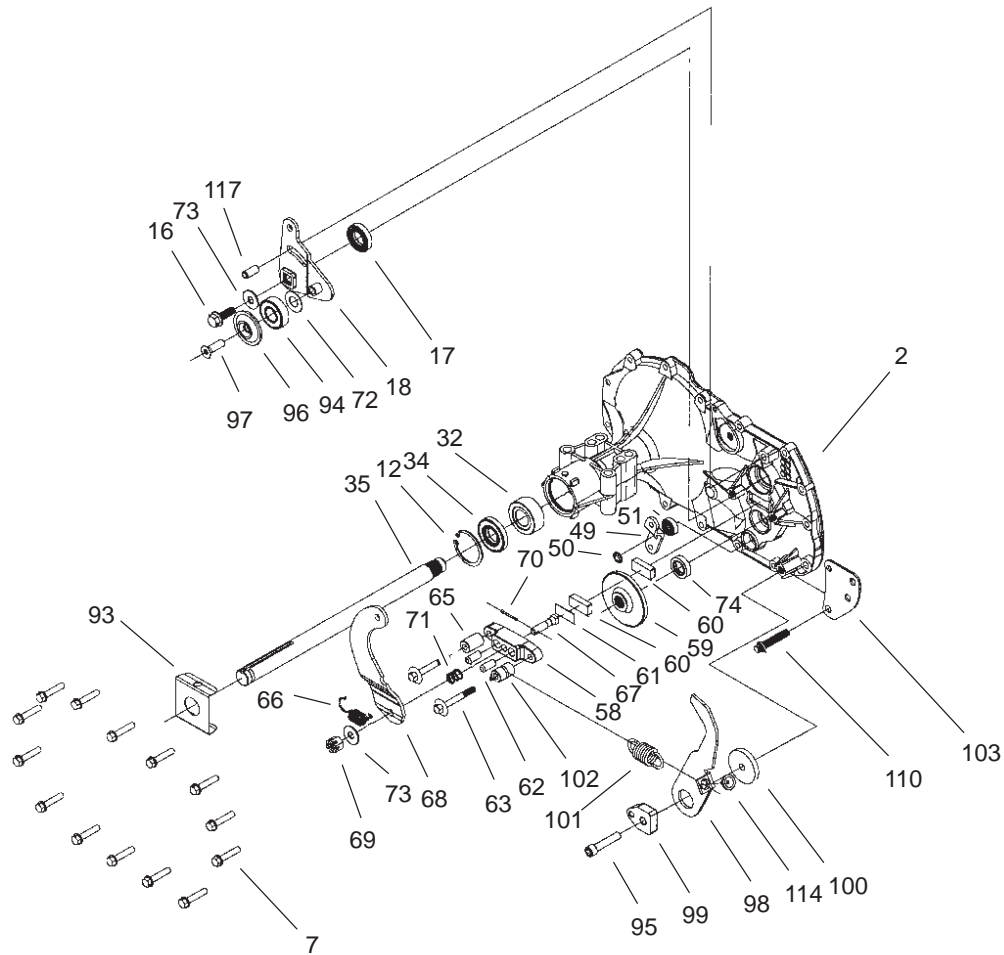
Electrical Assembly

Ref. No.	Part No.	Qty.	Description
1	28-8080	1	Boot-Terminal
2	321-4	2	Screw-HH
3	104-1755	1	Battery-155 Cca
3:2	104-4163	1	Decal-Battery
3:3	104-4164	1	Decal-Battery
4	44-8110	1	Wire ASM
5	38-1420	1	Switch-Seat
6	702366	1	Clip-Wire Retainer
7	32149-2	1	Nut
8	28-4210	1	Solenoid
9	9266714	3	Screw-HWH
10	32144-32	2	Screw
11	88-3970	1	Reflector And Lamp ASM
11:1	111686	2	Socket-Light
11:2	7228	2	Bulb
11:3	93-8741	1	Reflector
12	88-3960	1	Lens-Headlight
13	32149-1	2	Nut
14	3255-7	2	Washer-Lock/Ext
15	93-0539	2	Screw-HH
16	3290-354	1	Nut-Speed
17	32149-8	2	Nut-Keps
18	99-1935	1	Harness-Headlight
19	88-9932	1	Switch-Micro
22	98-7249	1	Relay

Ref. No.	Part No.	Qty.	Description
23	99-6840	1	Harness-Wire, Hydro
24	88-9830	1	Key Switch ASM
24:1	3254-5	1	Washer-Lock, Internal
24:2	218-461	1	Nut-HH
25	63-8360	1	Key-Ignition
26	92-8875	1	Switch-Rocker
28	32103-22	2	Nut-Wing
30	88-4040	1	Box-Battery
31	95-4248	1	Logo - Horsehead
32	3290-299	1	Clip
33	93-3190	1	Boot-Terminal, Insulator
34	95-7652	1	Light-Indicator
35	99-6059	1	Clip-Retainer
38	3274-14	2	Screw-HSH
39	65-7410	1	Switch-Single Pole
40	3296-2	2	Nut-Lock

Electrical Schematic



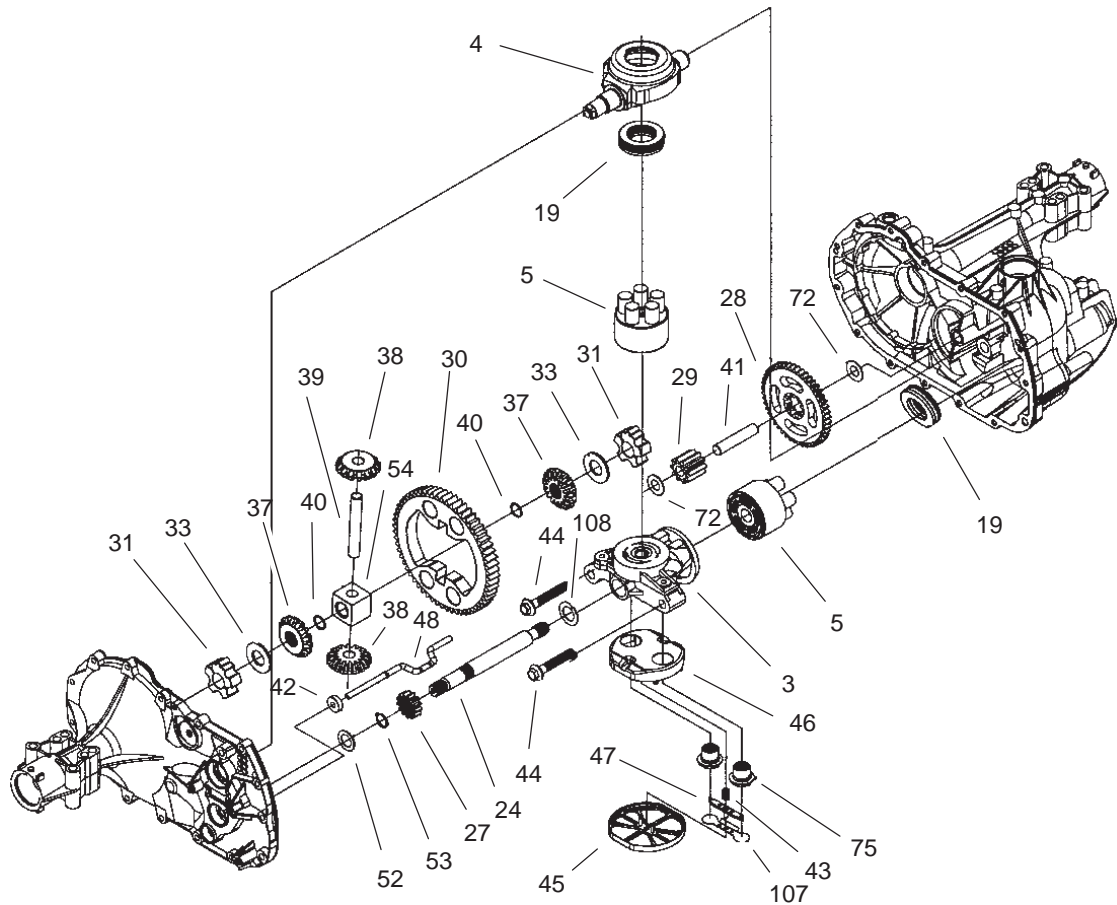


Sheet No.:3

Housing and Bearing Assembly

Ref. No.	Part No.	Qty.	Description
2	104-5302	1	Side Housing ASM
7	104-5305	14	Screw-Hex Flange
12	104-5309	1	Ring-Retaining
16	104-5312	1	Screw-Hex Flange
17	104-5313	1	Seal-Lip
18	104-5314	1	Arm-Control
32	104-5321	1	Bearing-Sleeve, Outboard
34	104-5322	1	Seal-Lip
35	104-5323	1	Shaft-Axle RH
49	104-5336	1	Arm-Bypass
50	104-5337	1	Ring-Retaining
51	104-5338	1	Seal-Lip
58	104-5343	1	Yoke-Brake
59	104-5344	1	Rotor-Brake
60	104-2171	2	Puck-Brake
61	104-2181	1	Puck-Plate
62	104-2176	2	Pin-Brake
63	104-5345	2	Screw-Hex Flange
65	104-2180	1	Spacer
66	104-2184	1	Spring-Brake Arm
67	104-2174	1	Bolt-SQH
68	104-5346	1	Arm-Brake
69	93-3807	1	Nut - Castle
70	104-2179	1	Pin-Cotter

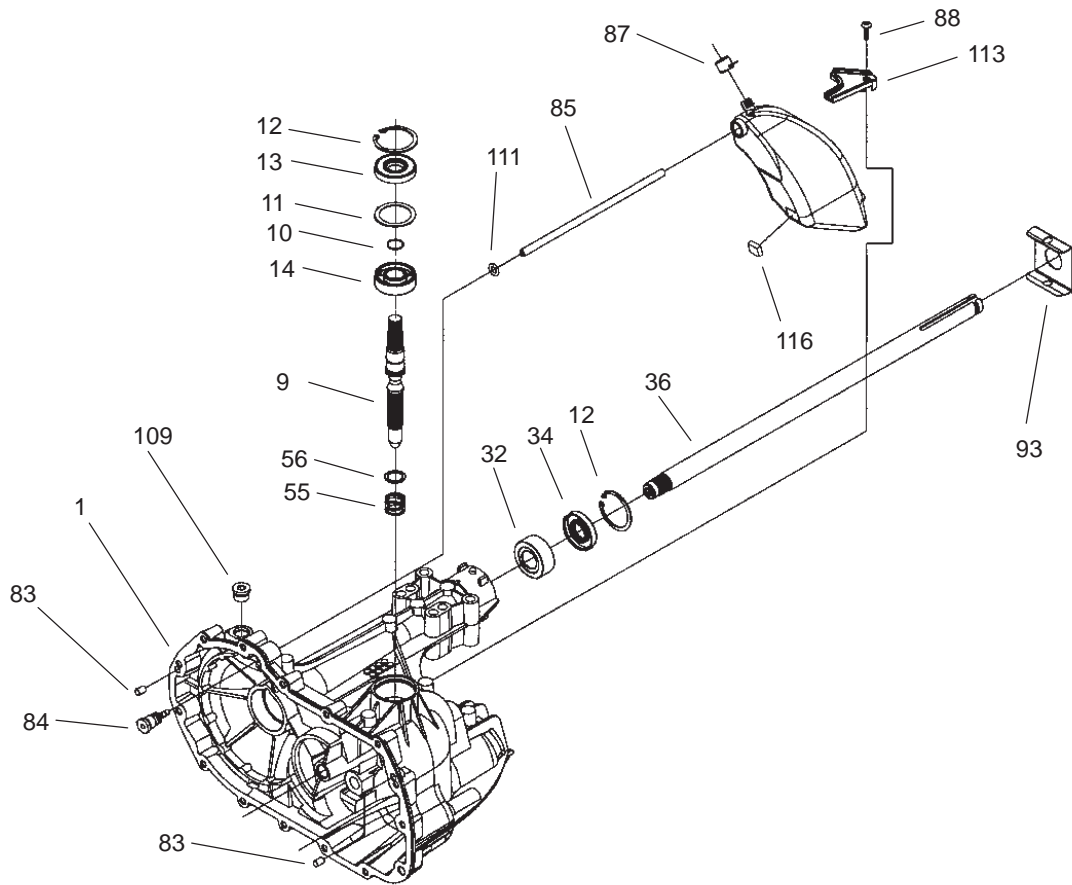
Ref. No.	Part No.	Qty.	Description
71	104-2188	1	Spring-Brake, Anti Drag
72	94-1933	1	Washer
73	104-2146	2	Washer
74	104-5347	1	Seal-Oil
93	104-5353	1	Clip-Spring
94	104-2156	1	Bearing
95	104-2155	1	Screw
96	104-2157	1	Spacer-Locating
97	104-2158	1	Screw-Countersunk
98	104-5354	1	Arm-Return
99	104-2119	1	Puck-Adjusting
100	104-5355	1	Washer
101	104-5356	1	Spring-Extension
102	104-5357	1	Spacer
103	104-5358	1	Bracket-Torque
110	104-2148	1	Screw-TTH
114	104-5363	1	Guide-Spring
117	104-5365	1	Pin-Spring



Sheet No.:4

Gear Assembly

Ref. No.	Part No.	Qty.	Description	Ref. No.	Part No.	Qty.	Description
3	104-5303	1	Center Section ASM	54	104-5341	1	Bearing-Center Block
4	104-5304	1	Swashplate-Trunnion	72	94-1933	2	Washer
5	104-2106	2	Cylinder Block ASM	75	104-5348	2	Check Plug ASM
19	94-6922	2	Bearing-Thrust	107	104-5359	1	Deflector
24	104-5314	1	Arm-Control	108	104-5360	1	Washer-Motor Shaft
27	104-5316	1	Gear-Pinion, 13t				
28	104-5317	1	Gear- 10t/48t				
29	104-5318	1	Gear-Jackshaft 10t				
30	104-5319	1	Gear-Bull 60t				
31	104-5320	2	Bearing-Sleeve				
33	94-1943	2	Washer				
37	104-5325	2	Gear-Miter				
38	104-5326	2	Gear-Miter 15t				
39	104-5327	1	Shaft				
40	104-5328	2	Ring-Spiral Retaining				
41	104-5329	1	Pin-Jackshaft				
42	104-5330	1	Magnet-Ring				
43	104-5331	1	Spring-Bypass				
44	94-6926	2	Bolt				
45	104-5332	1	Filter				
46	104-5333	1	Base-Filter				
47	104-5334	1	Actuator-Bypass				
48	104-5335	1	Rod-Bypass Actuator				
52	104-5339	1	Washer-Flat				
53	104-5340	1	Ring-Retaining				

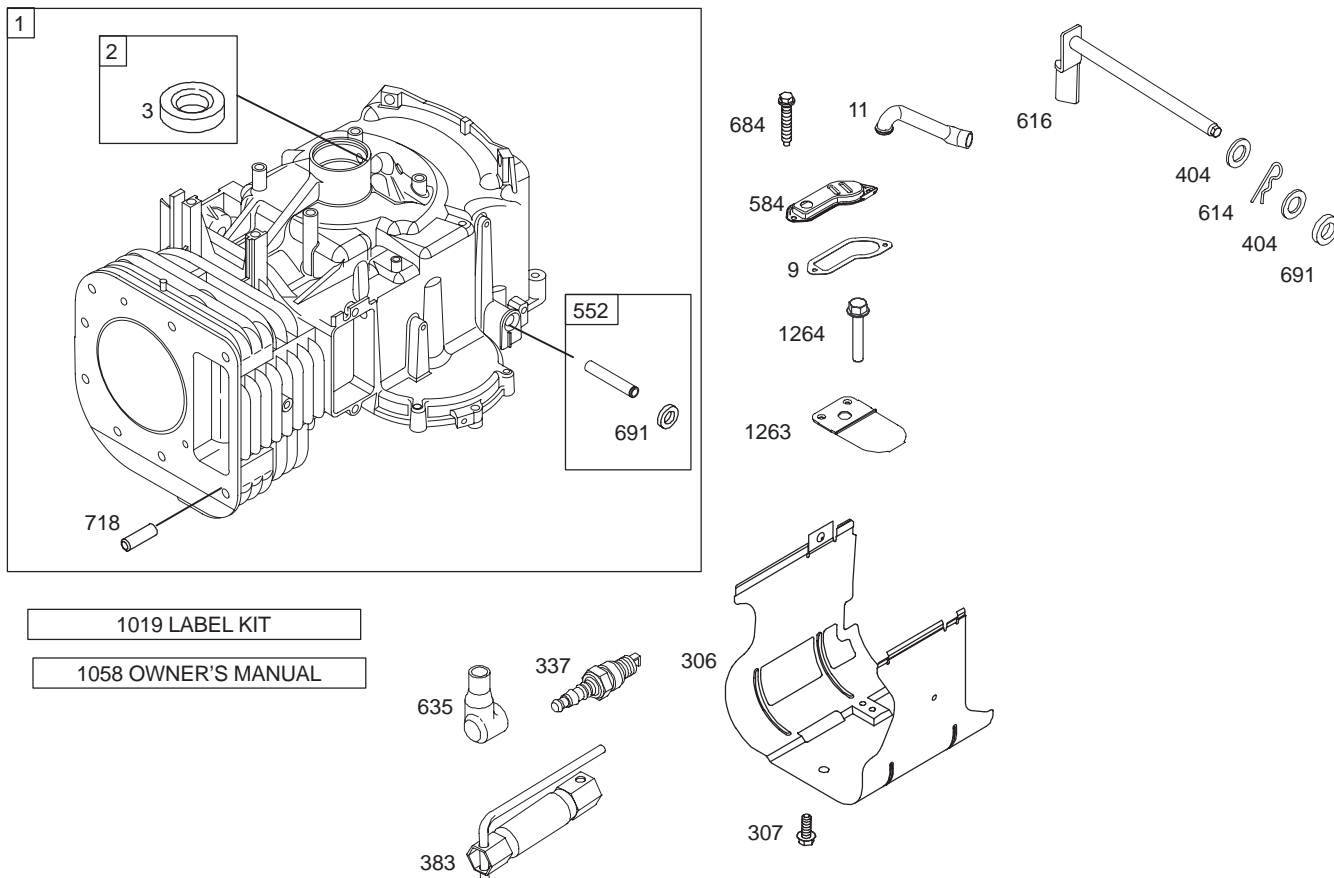


Sheet No.:5

Axle Assembly

Ref. No.	Part No.	Qty.	Description
1	104-5301	1	Main Housing ASM
9	104-5306	1	Shaft-Input
10	104-5307	1	Ring-Retaining
11	104-5308	1	Spacer
12	104-5309	2	Ring-Retaining
13	104-5310	1	Seal-Lip
14	104-5311	1	Bearing-Ball
32	104-5321	1	Bearing-Sleeve, Outboard
34	104-5322	1	Seal-Lip
36	104-5324	1	Shaft-Axle LH
55	94-1936	1	Spring-Block
56	94-1937	1	Washer-Block, Thrust
83	104-2170	2	Pin
84	104-5349	1	Fitting-Sae
85	104-5350	1	Hose-Expansion Tank
87	104-5351	1	Cap-Vent
88	104-5352	1	Bolt-Self Tapping
93	104-5353	1	Clip-Spring
109	104-2189	1	Plug-Straight Thread
111	104-5361	1	O-Ring
113	104-5362	1	Bracket-Support
116	104-5364	1	Sponge-Sillicone

Ref. No.	Part No.	Qty.	Description



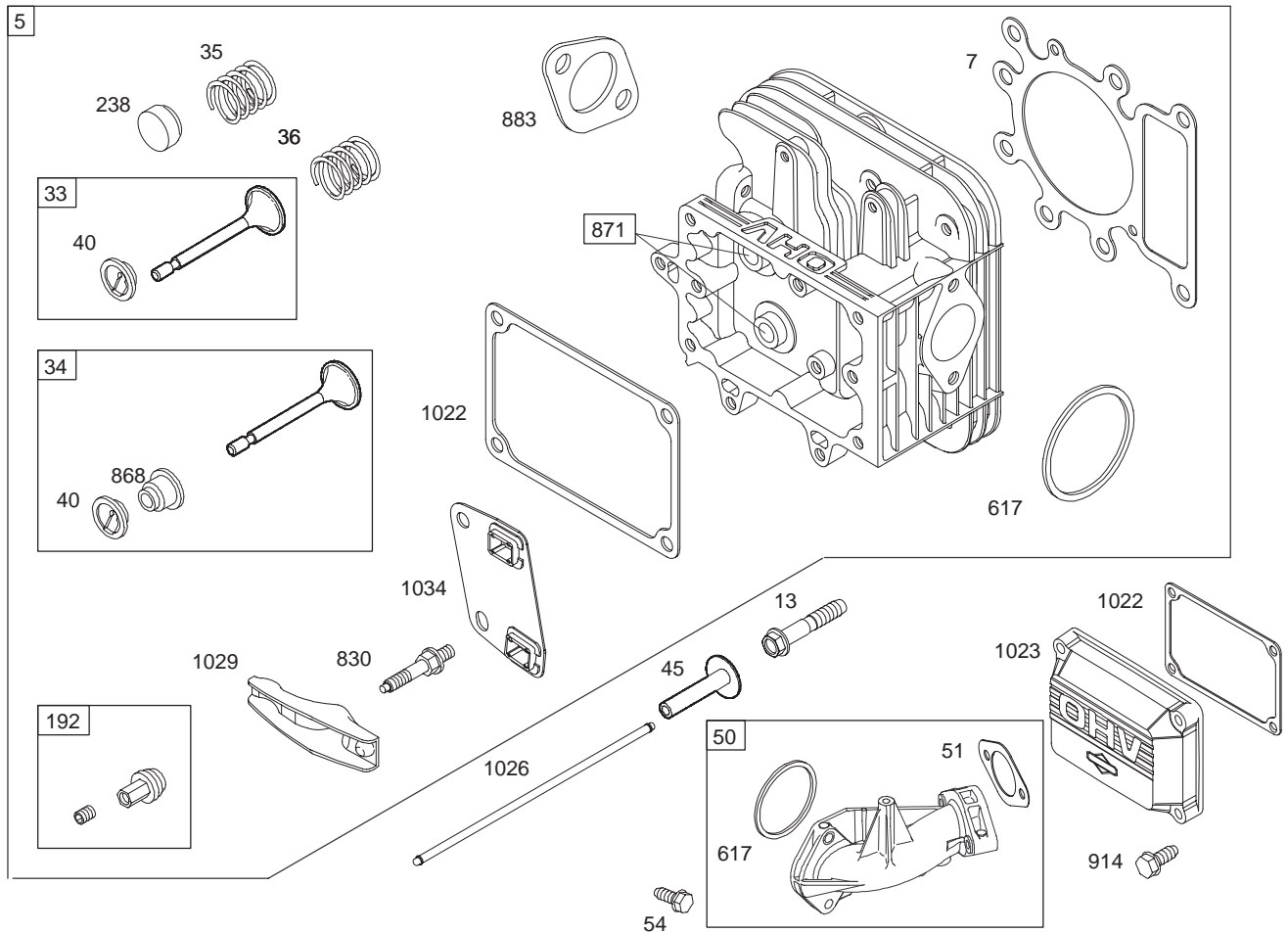
Assemblies include all parts shown in frames.

Cylinder Assembly Engine Briggs and Stratton Model 31F777-0123-E1

Ref. No.	Part No.	Qty.	Description
1	697174	1	Cylinder Assembly
2	399265	1	Kit-Bushing/Seal (Magneto Side)
★3	391086	1	Seal-Oil (Magneto Side)
★9	697109	1	Gasket-Breather
11	697113	1	Tube-Breather
306	697107	1	Shield-Cylinder
307	691003	1	Screw (Cylinder Shield)
337	491055	1	Plug-Spark
383	89838	1	Wrench-Spark Plug
404	691691	1	Washer (Governor Crank)
552	697144	1	Bushing-Governor Crank
584	697112	1	Cover-Breather Passage
614	691620	1	Pin-Cotter
616	692012	1	Crank-Governor
635	691909	1	Boot-Spark Plug
684	697157	1	Screw (Breather Passage Cover)

Ref. No.	Part No.	Qty.	Description
★691	692407	1	Seal-Governor Shaft
718	690959	1	Pin-Locating
1019	697143	1	Kit-Label
1058	275038	1	Owner's Manual
1263	697124	1	Reed-Breather
1264	697104	1	Screw (Breather Reed)

★ Included in Engine Gasket Set-Ref. 358.



Cylinder Head Assembly Engine Briggs and Stratton Model 31F777-0123-E1

Ref. No.	Part No.	Qty.	Description
5	690188	1	Head-Cylinder
★Δ7	692410	1	Gasket-Cylinder Head
13	690360	1	Screw (Cylinder Head Gasket)
33	495856	1	Valve-Exhaust
34	495857	1	Valve-Intake
35	691279	1	Spring-Valve (Intake)
36	691279	1	Spring-Valve (Exhaust)
40	691752	1	Retainer-Valve
45	690564	1	Tappet-Valve
50	690193	1	Manifold-Intake
★Δ◆51	692137	1	Gasket-Intake
54	691148	1	Screw (Intake Manifold)
192	691986	1	Adjustor-Rocker Arm
238	691843	1	Cap-Valve
★●617	692138	1	Seal-O Ring (Intake Manifold)
830	691095	1	Stud-Rocker Arm
Δ★868	690968	1	Seal-Valve
871	690969	1	Bushing-Valve Guide

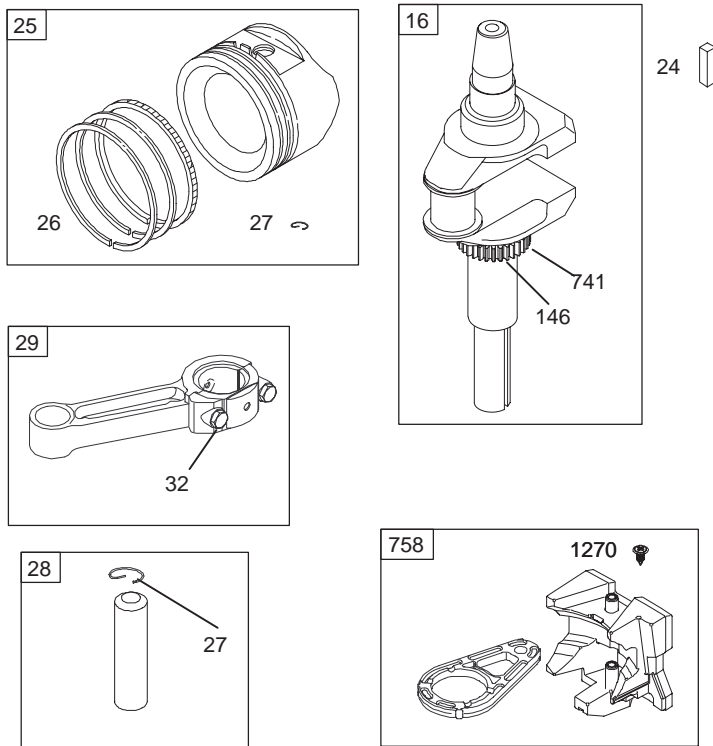
Ref. No.	Part No.	Qty.	Description
883	692236	1	Gasket-Exhaust
914	690960	1	Screw (Rocker Cover)
★1022	272475	1	Gasket-Rocker Cover
1023	692492	1	Cover-Rocker
1026	692003	1	Rod-Push (Intake)
	692011	1	Rod-Push (Exhaust)
1029	691751	1	Arm-Rocker
1034	690822	1	Guide-Push Rod

Δ Included in Valve Gasket Set-Ref. 1095.

● Included in Carburetor Overhaul Kit-Ref. 121.

★ Included in Engine Gasket Set-Ref. 358.

◆ Included in Carburetor Gasket Set-Ref. 977.

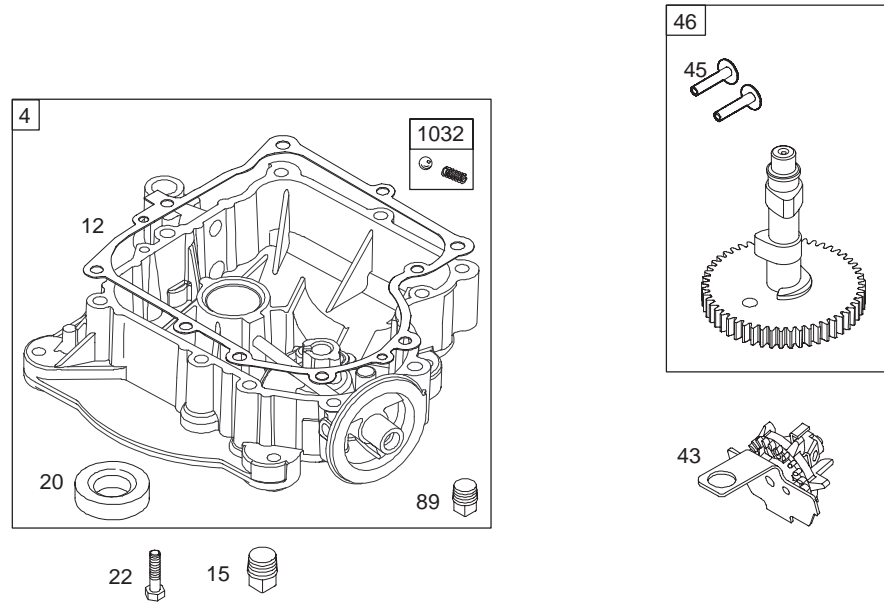


Assemblies include all parts shown in frames.

Crankshaft Assembly Engine Briggs and Stratton Model 31F777-0123-E1

Ref. No.	Part No.	Qty.	Description
16	697127	1	Crankshaft
24	222698	1	Key-Flywheel
25	697159	1	Piston Assembly (Standard)
	697160	1	Piston Assembly (.010" Oversize)
	697162	1	Piston Assembly (.020" Oversize)
	697163	1	Piston Assembly (.030" Oversize)
26	697164	1	Ring Set (Standard)
	697165	1	Ring Set (.010" Oversize)
	697171	1	Ring Set (.020" Oversize)
	697172	1	Ring Set (.030" Oversize)
27	697199	1	Lock-Piston Pin
28	697099	1	Pin-Piston (Standard)

Ref. No.	Part No.	Qty.	Description
29	697126	1	Rod-Connecting (Standard)
	697264	1	Rod-Connecting (.020" Undersize)
32	692852	1	Screw (Connecting Rod)
146	690979	1	Key-Timing
741	697128	1	Gear-Timing
758	697134	1	Counterweight
1270	697156	1	Plug-AVS Counterweight



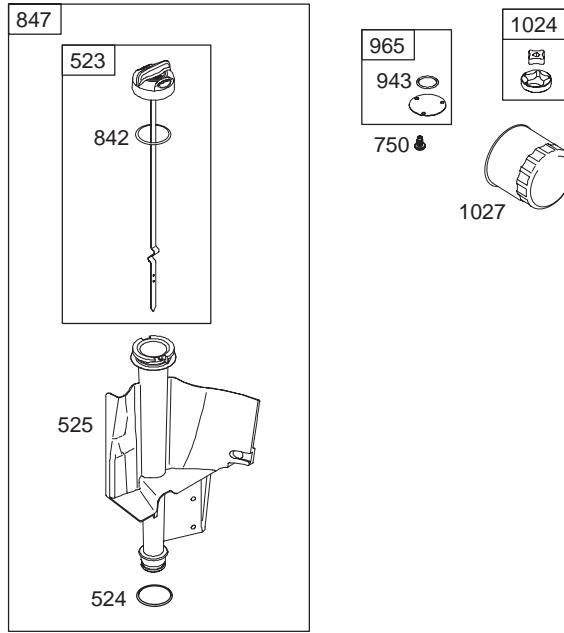
Assemblies include all parts shown in frames.

Crankcase Assembly Engine Briggs and Stratton Model 31F777-0123-E1

Ref. No.	Part No.	Qty.	Description
4	697188	1	Sump-Engine
★12	697110	1	Gasket-Crankcase
15	690946	1	Plug-Oil Drain
★20	690947	1	Oil Seal (PTO Side)
22	692125	1	Screw (Engine Sump)
43	691968	1	Governor/Oil Slinger
45	690564	1	Tappet-Valve
46	697139	1	Camshaft
89	690283	1	Plug-Oil
1032	491710	1	Ball-Oil Pump

Ref. No.	Part No.	Qty.	Description

★ Included in Engine Gasket Set-Ref. 358.



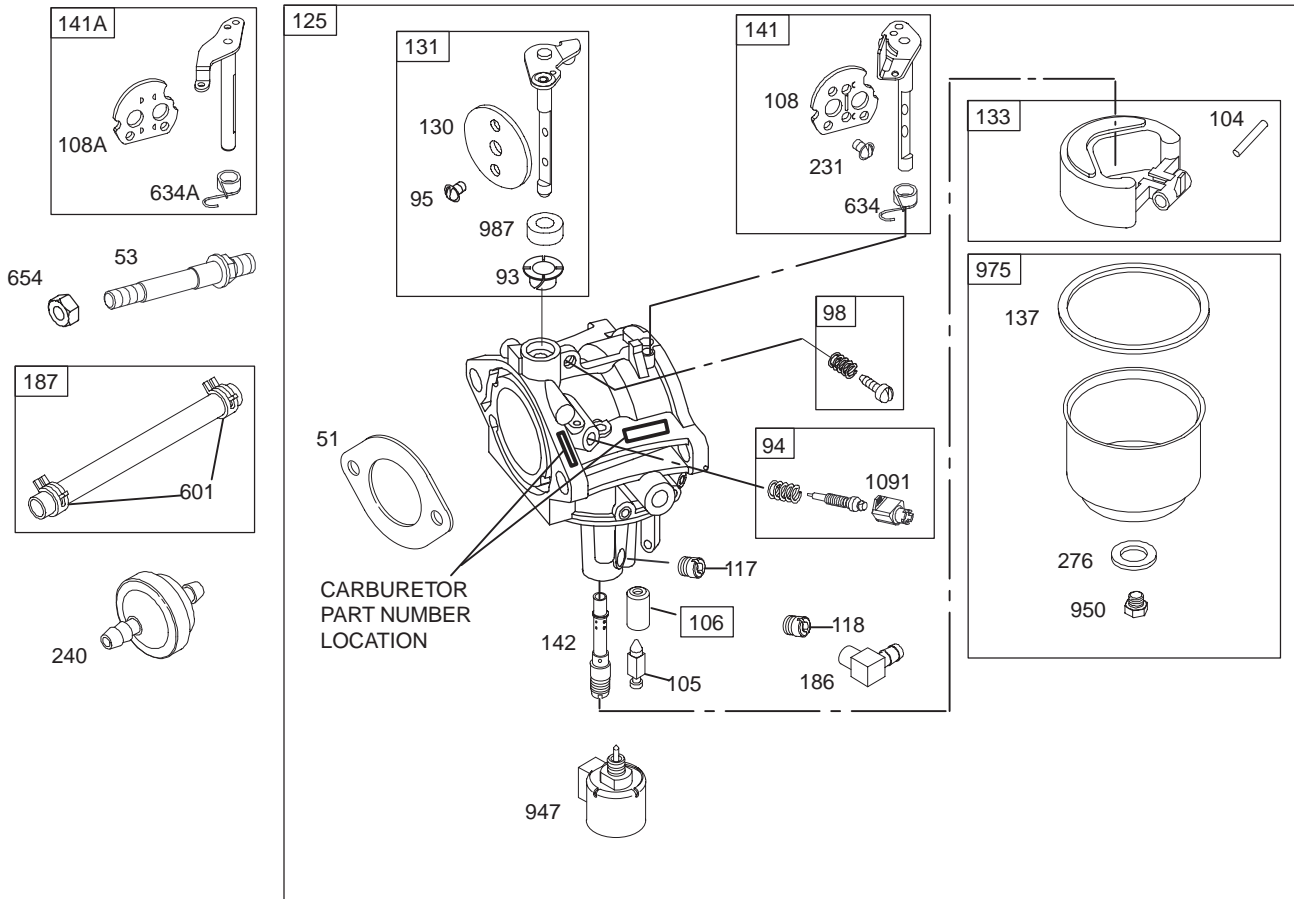
Assemblies include all parts shown in frames.

Oil Filter, Tube and Pump Assembly Engine Briggs and Stratton Model 31F777-0123-E1

Ref. No.	Part No.	Qty.	Description
523	697086	1	Dipstick
★524	691032	1	Seal-O Ring (Dipstick Tube)
525	697085	1	Tube-Dipstick
750	691033	1	Screw (Oil Pump Cover)
★842	691031	1	Seal-O Ring (Dipstick)
847	697087	1	Dipstick/Tube Assembly
★943	690589	1	Seal-O Ring (Oil Pump Cover)
965	499613	1	Cover-Oil Pump
1024	499054	1	Pump-Oil
1027	492932	1	Filter-Oil

Ref. No.	Part No.	Qty.	Description

★ Included in Engine Gasket Set-Ref. 358.



Assemblies include all parts shown in frames.

Carburetor Assembly Engine Briggs and Stratton Model 31F777-0123-E1

Ref. No.	Part No.	Qty.	Description
★△◆	51	1	Gasket-Intake
	53	1	Stud (Carburetor)
●	93	1	Bushing-Throttle Shaft
	94	1	Kit-Idle Mixture
●	95	1	Screw (Throttle Valve)
	98	1	Kit-Idle Speed
●	104	1	Pin-Float Hinge
●	105	1	Valve-Float Needle
●	106	1	Seat-Inlet
	108	1	Valve-Choke (Manual Choke)
108A	692344	1	Valve-Choke (Choke A Matic)
●	117	1	Jet-Main (Standard)
	118	1	Jet-Main (High Altitude)
125	697190	1	Carburetor
	130	1	Valve-Throttle
	131	1	Kit-Throttle Shaft
	133	1	Float-Carburetor
◆	137	1	Gasket-Float Bowl

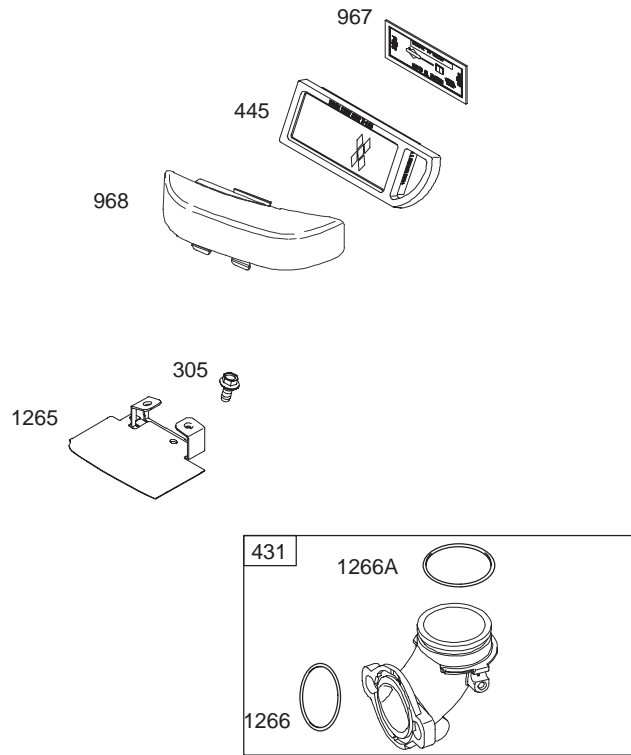
Ref. No.	Part No.	Qty.	Description
	141	1	Kit-Choke Shaft (Manual Choke)
	141A	1	Kit-Choke Shaft (Choke A Matic)
●	142	1	Nozzle-Carburetor
	186	1	Connector-Hose Line-Fuel (Cut to Required Length)
	187	1	Line-Fuel (Cut to Required Length)
●	231	1	Screw (Choke Valve)
	240	1	Filter-Fuel
◆	276	1	Sealing Washer
	601	1	Clamp-Hose
●	634	1	Spring/Seal Assembly
●	634A	1	Spring/Seal Assembly
	654	1	Nut (Carburetor)
	947	1	Solenoid-Fuel
	950	1	Screw (Float Bowl)
	975	1	Bowl-Float
●	987	1	Seal-Throttle Shaft
	1091	1	Cap-Limiter

△ Included in Valve Gasket Set-Ref. 1095.

★ Included in Engine Gasket Set-Ref. 358.

● Included in Carburetor Overhaul Kit-Ref. 121.

◆ Included in Carburetor Gasket Set-Ref. 977.

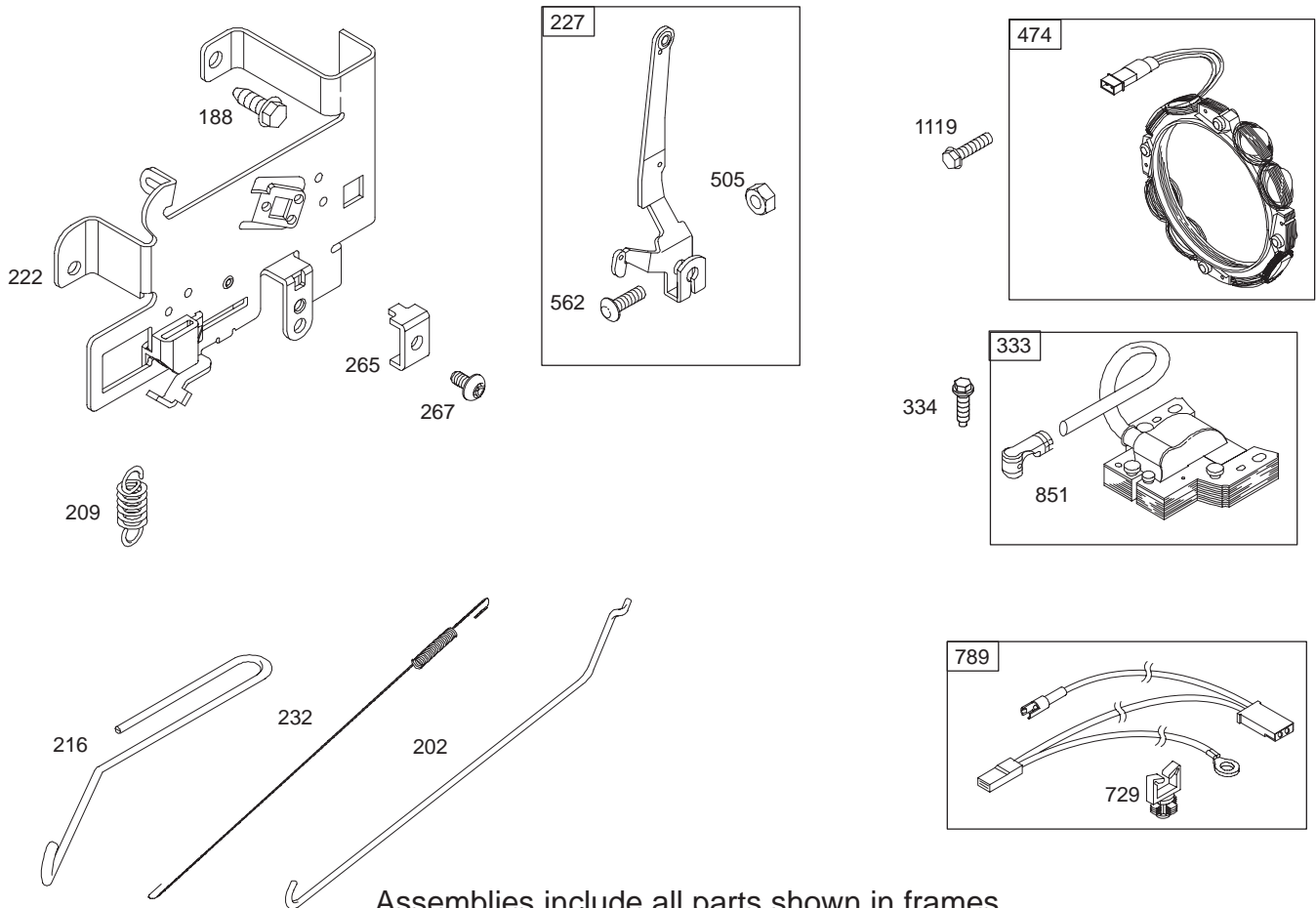


Assemblies include all parts shown in frames.

Air Cleaner Assembly Engine Briggs and Stratton Model 31F777-0123-E1

Ref. No.	Part No.	Qty.	Description		Ref. No.	Part No.	Qty.	Description
305	690960	1	Screw (Blower Housing Support)					
431	697122	1	Elbow-Intake					
445	697014	1	Filter-Air Cleaner Cartridge					
967	697015	1	Filter-Pre Cleaner					
968	697084	1	Cover-Air Cleaner					
1265	697125	1	Support-Blower Housing					
★1266	691917	1	Seal-O Ring (Intake Elbow)					
★1266A	697123	1	Seal-O Ring (Intake Elbow)					

★ Included in Engine Gasket Set-Ref. 358.

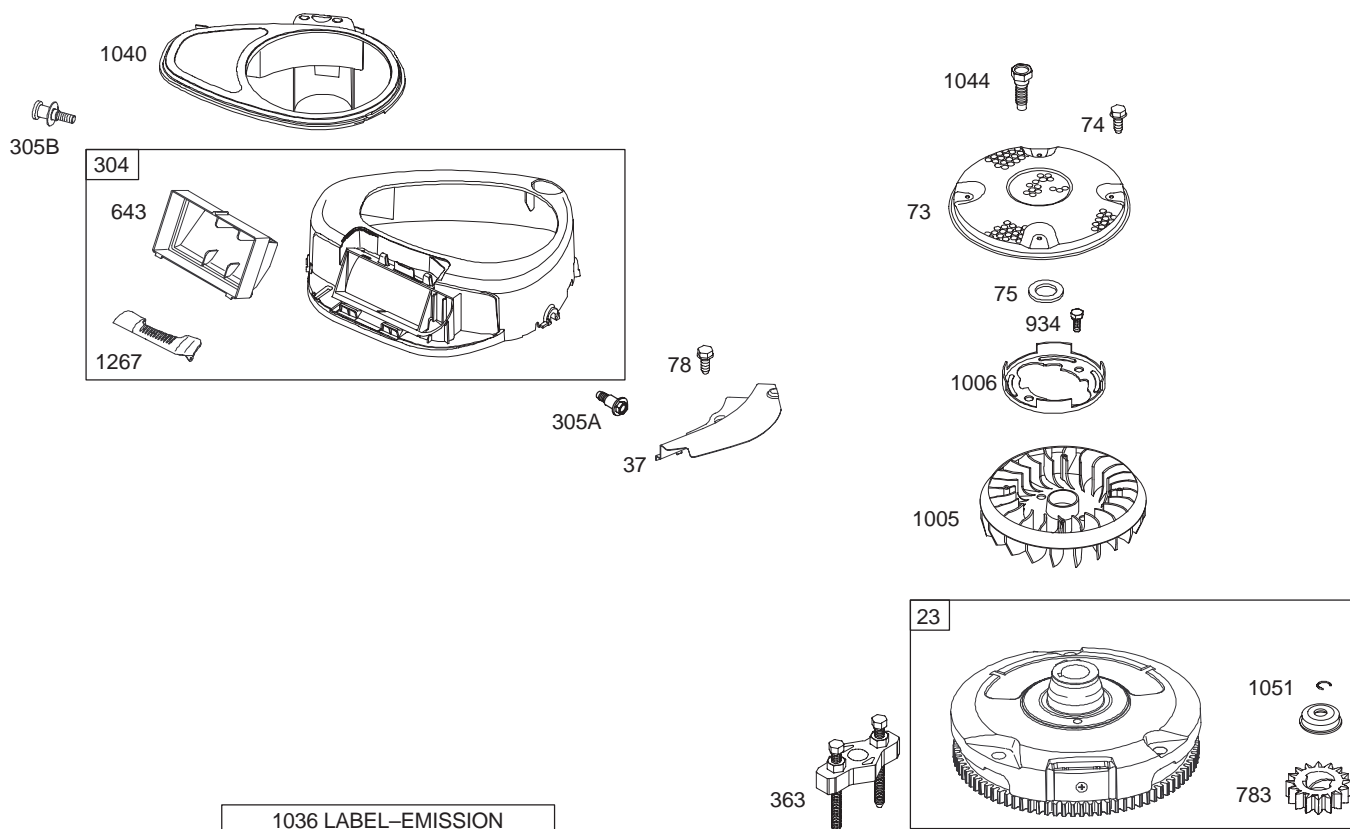


Assemblies include all parts shown in frames.

Governor Assembly Engine Briggs and Stratton Model 31F777-0123-E1

Ref. No.	Part No.	Qty.	Description
188	691693	1	Screw (Control Bracket)
202	691841	1	Link-Mechanical Governor
209	692208	1	Spring-Governor
216	691840	1	Link-Choke
222	694042	1	Bracket-Control
227	691374	1	Lever-Governor Control
232	691842	1	Spring-Governor Link
265	691024	1	Clamp-Casing
267	695134	1	Screw (Casing Clamp)
333	492341	1	Armature-Magneto
334	691061	1	Screw (Magneto Armature)
474	696459	1	Alternator
505	691251	1	Nut (Governor Control Lever)
562	691119	1	Bolt (Governor Control Lever)
729	691335	1	Clip-Wire

Ref. No.	Part No.	Qty.	Description
789	692037	1	Wiring-Harness
851	493880	1	Terminal-Spark Plug
1119	691183	1	Screw (Alternator)

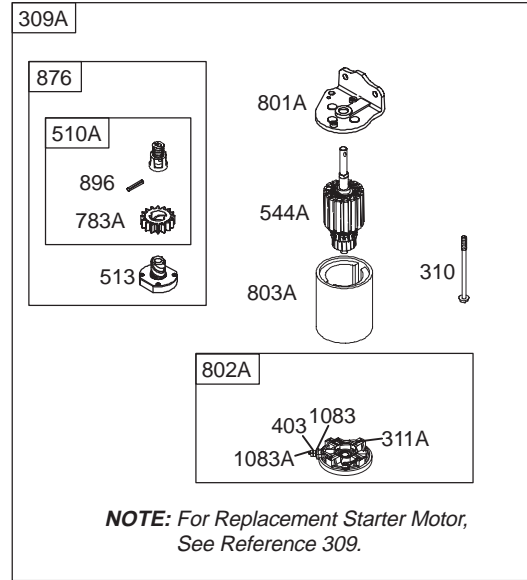
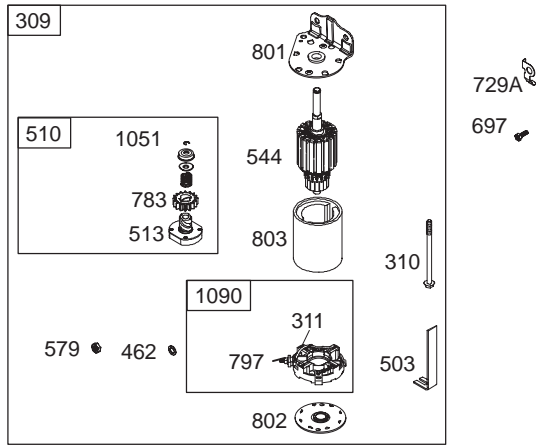


Assemblies include all parts shown in frames.

Blower Housing Assembly Engine Briggs and Stratton Model 31F777-0123-E1

Ref. No.	Part No.	Qty.	Description
23	693557	1	Flywheel
37	697108	1	Guard-Flywheel
73	697133	1	Screen-Rotating
74	690661	1	Screw (Rotating Screen)
75	690582	1	Washer (Flywheel)
78	690661	1	Screw (Flywheel Guard)
304	697137	1	Housing-Blower
305A	697102	1	Screw (Blower Housing)
305B	697103	1	Screw (Blower Housing)
363	19203	1	Puller-Flywheel
643	697155	1	Retainer-Air Filter
783	693713	1	Gear-Pinion
934	691058	1	Screw (Fan Retainer)
1005	697111	1	Fan-Flywheel
1006	690452	1	Retainer-Fan
1036	695700	1	Label-Emission
1040	697142	1	Plate-Trim
1044	691658	1	Screw (Crankshaft Extension)

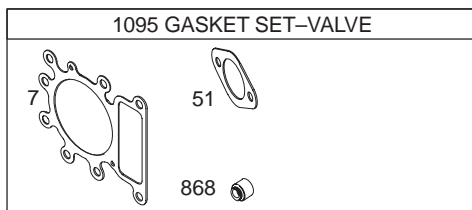
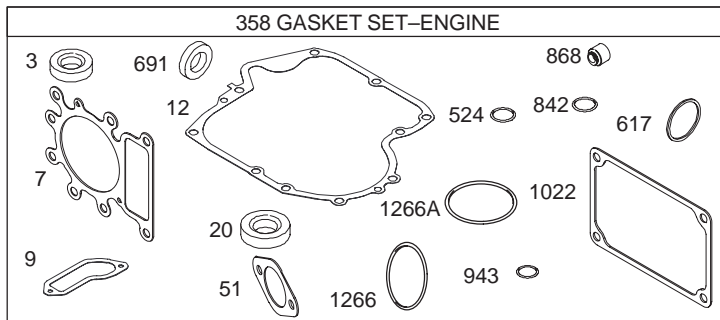
Ref. No.	Part No.	Qty.	Description
1051	691265	1	Ring-Retaining
1267	697135	1	Latch-Blower Housing



Starter Assembly Engine Briggs and Stratton Model 31F777-0123-E1

Ref. No.	Part No.	Qty.	Description
309	693551	1	Motor-Starter
309A		1	Motor-Starter (For Replacement Starter Motor, See Ref. 309)
310	690323	1	Bolt (Starter Motor)
311	497608	1	Brush Set
311A	395538	1	Brush Set
403	690288	1	Washer (End Cap)
462	691261	1	Washer (Brush Retainer)
503	691532	1	Strap-Starter
510	693699	1	Drive-Starter
510A	495878	1	Drive-Starter
513	692024	1	Drive Clutch
544	692034	1	Armature-Starter
544A	390837	1	Armature-Starter
579	691029	1	Nut (Brush Retainer)
697	690372	1	Screw (Drive Cap)
729A	691224	1	Clip-Wire

Ref. No.	Part No.	Qty.	Description
783	693713	1	Gear-Pinion
783A	693059	1	Gear-Pinion
797	693167	1	Nut (Brush Retainer)
801	691283	1	Cap-Drive
801A	691429	1	Cap-Drive
802	691286	1	Cap-End
802A	395537	1	Cap-End
803	693757	1	Housing-Starter
803A	398159	1	Housing-Starter
876	495877	1	Kit-Gear
896	691641	1	Pin-Drive Retainer
1051	691265	1	Ring-Retaining
1090	691293	1	Retainer-Brush
1083	690958	1	Nut (End Cap)
1083A	691626	1	Nut (End Cap)



Assemblies include all parts shown in frames.

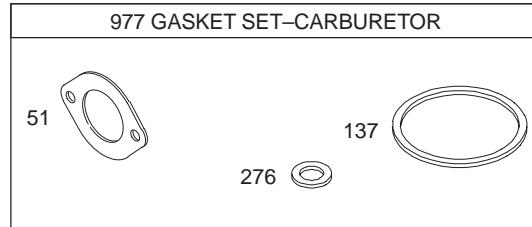
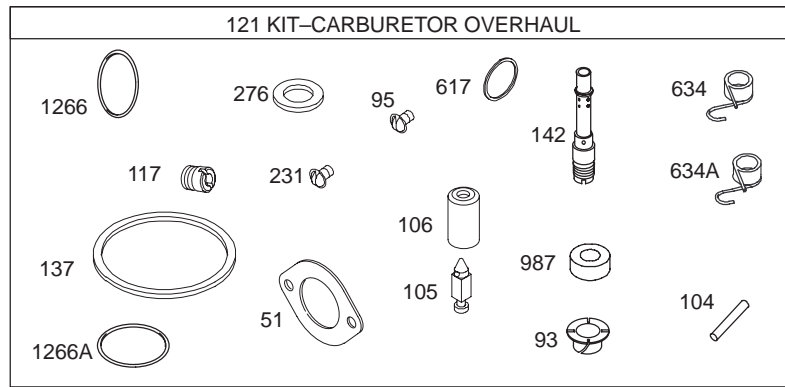
Gasket Assembly Engine Briggs and Stratton Model 31F777-0123-E1

Ref. No.	Part No.	Qty.	Description
★3	391086	1	Seal-Oil (Magneto Side)
★Δ7	692410	1	Gasket-Cylinder Head
★9	697109	1	Gasket-Breather
★12	697110	1	Gasket-Crankcase
★20	690947	1	Seal-Oil (PTO Side)
★Δ◆51	692137	1	Gasket-Intake
358	697191	1	Gasket Set-Engine
★●617	692138	1	Seal-O Ring (Intake Manifold)
★524	691032	1	Seal-Dipstick Tube
★691	692407	1	Seal-Governor Shaft
★842	691031	1	Seal-O Ring (Dipstick Tube)
★Δ868	690968	1	Seal-Valve
★943	690589	1	Seal-O Ring (Oil Pump Cover)
★1022	272475	1	Gasket-Rocker Cover
1095	691581	1	Gasket Set-Valve
★●1266	691917	1	Seal-O Ring (Intake Elbow)
★●1266A	697123	1	Seal-O Ring (Intake Elbow)

Ref. No.	Part No.	Qty.	Description

Δ Included in Valve Gasket Set-Ref. 1095.
★ Included in Engine Gasket Set-Ref. 358.

● Included in Carburetor Overhaul Kit-Ref. 121.
◆ Included in Carburetor Gasket Set-Ref. 977.



Assemblies include all parts shown in frames.

Carburetor Overhaul Kit Assembly Engine Briggs and Stratton Model 31F777-0123-E1

Ref. No.	Part No.	Qty.	Description
★△◆51	692137	1	Gasket-Intake
●93	690602	1	Bushing-Throttle Shaft
●95	691636	1	Screw (Throttle Valve)
●104	690525	1	Pin-Float Hinge
●105	231855	1	Valve-Float Needle
●106	690577	1	Seat-Inlet
●117	694352	1	Jet-Main (Standard)
121	697241	1	Kit-Carburetor Overhaul
◆137	281165	1	Gasket-Float Bowl
●142	697140	1	Nozzle-Carburetor
●231	691636	1	Screw (Choke Valve)
◆276	692255	1	Washer-Sealing
★●617	692138	1	Seal-O Ring (Intake Manifold)
●634	690801	1	Spring/Seal Assembly
●634A	690802	1	Spring/Seal Assembly
977	690192	1	Gasket Set-Carburetor
●987	691326	1	Seal-Throttle Shaft
★●1266	691917	1	Seal-O Ring (Intake Elbow)

Ref. No.	Part No.	Qty.	Description
★●1266A	697123	1	Seal-O Ring (Intake Elbow)

△ Included in Valve Gasket Set-Ref. 1095.

★ Included in Engine Gasket Set-Ref. 358.

● Included in Carburetor Overhaul Kit-Ref. 121.

◆ Included in Carburetor Gasket Set-Ref. 977.

