

1980

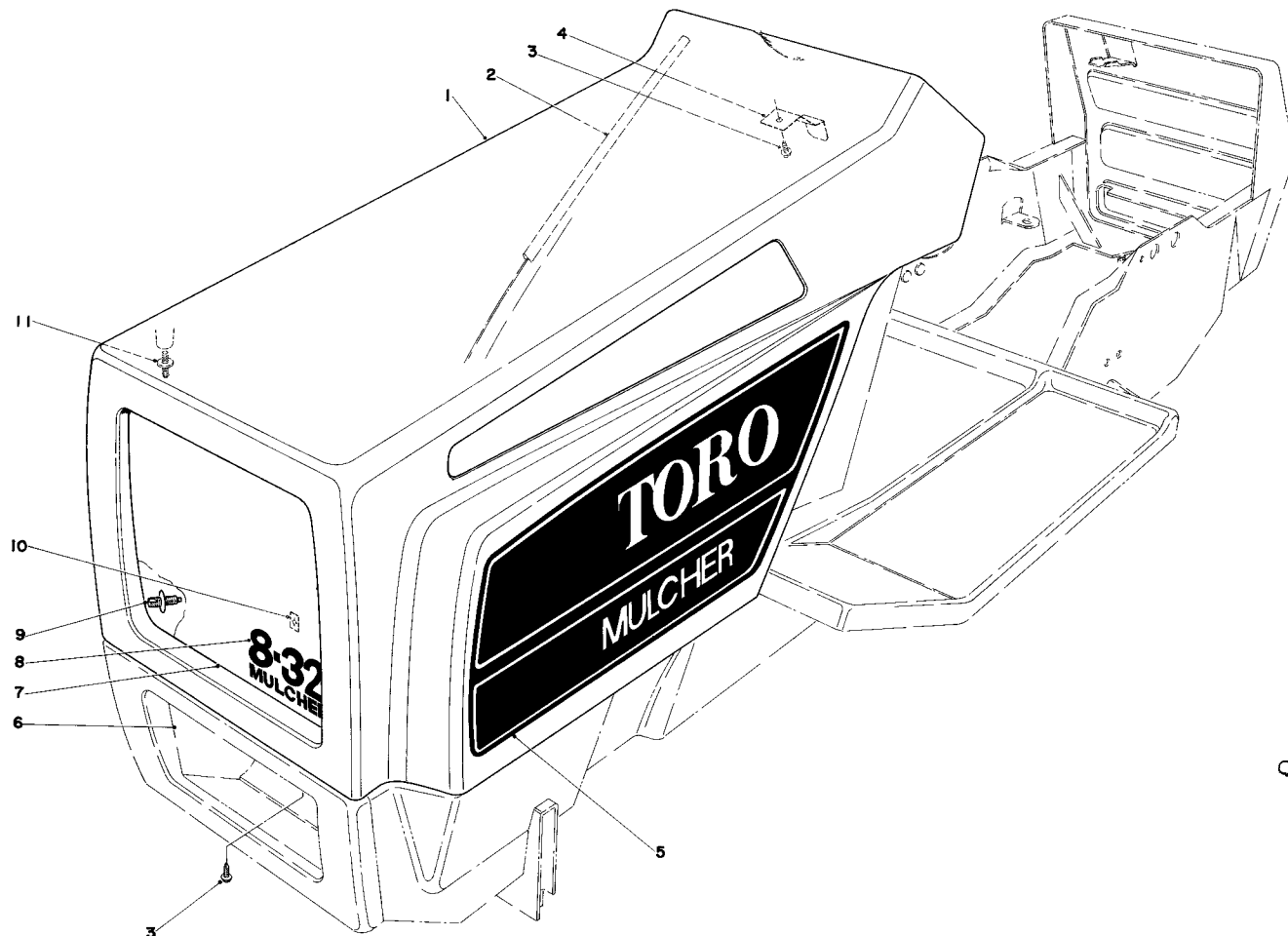
FORM NO. 3311-544



MODEL NO. 57380-0000001 & UP
 MODEL NO. 57385-0000001 & UP

**PARTS
 CATALOG**

**8 AND 11 H.P. FRONT ENGINE RIDER
 MULCHER – ELECTRIC START**

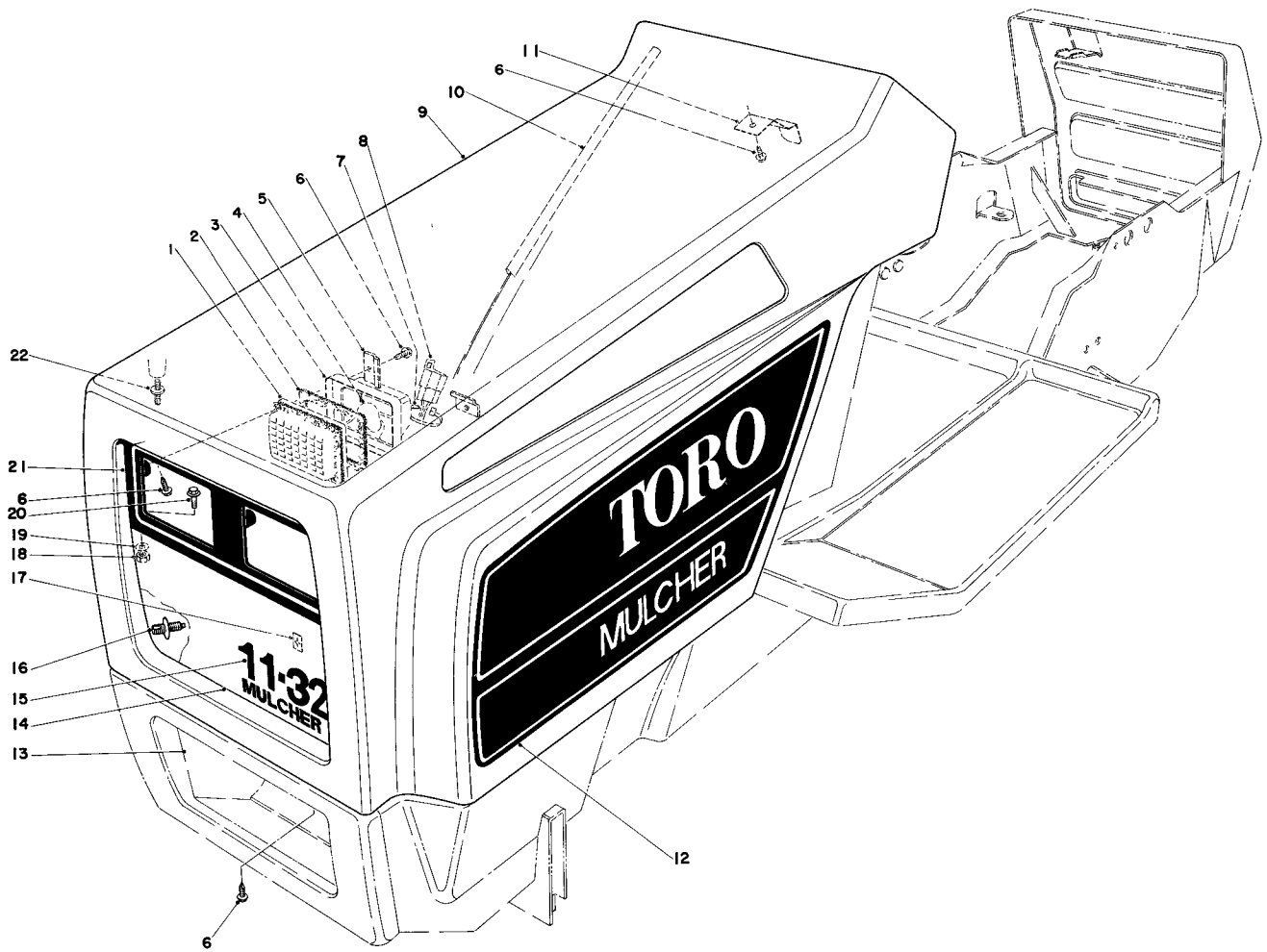


HOOD ASSEMBLY MODEL 57380

Ref. No.	Part No.	Description	No. Used
1	8-6679	Hood (Incl. Ref. #9 & 11)	1
2	28-3810	Rubber Extension – Seal	2
3	32104-76	Screw – Self Tapping	9
4	27-9130	Spring – Latch	1
5	39-5420	Decal – Hood L.H.	1
*	39-5430	Decal – Hood R.H.	1

Ref. No.	Part No.	Description	No. Used
6	28-0010	Lower Grille	1
7	36-2110	Grille – Hood	1
8	39-6860	Name Plate – Grille	1
9	27-9120	Stud – Hinge Bracket	4
10	3290-299	Tinnerman Nut	2
11	39-6800	Stud – Hood Duct	4

*Not Illustrated

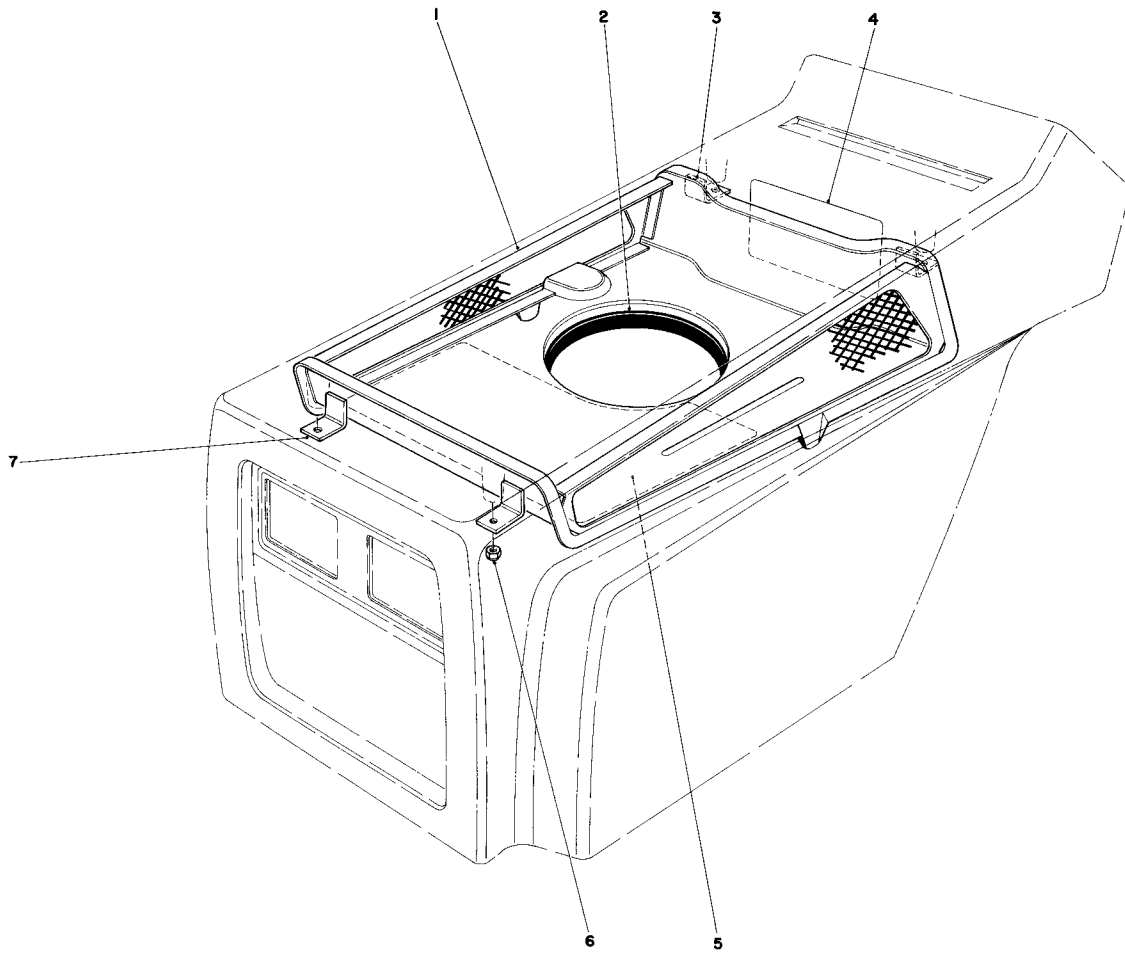


HOOD ASSEMBLY MODEL 57385

Ref. No.	Part No.	Description	No. Used
1	219-14	Lens	2
2	219-13	Lens Gasket	4
3	38-2580	Reflector	2
4		Bulb GE #1156	2
5	28-0050	Clamp – Headlight	3
6	32104-76	Self Tapping Screw	12
7	3290-378	Cable Tie	1
8	218-493	Connector Body	1
9	8-6679	Hood (Incl. Ref. #16 & 22)	1
10	28-3810	Rubber Extrusion – Seal	2
11	27-9130	Spring – Latch	1
12	39-5420	Decal – Hood L.H.	1

Ref. No.	Part No.	Description	No. Used
*	39-5430	Decal – Hood R.H.	1
13	28-0010	Grille – Lower	1
14	36-2090	Grille – Head Light	1
15	39-3530	Name Plate – Grille	1
16	27-9120	Stud – Hinge Bracket	4
17	3290-299	Tinnerman Nut	2
18	32153-1	Locknut	2
19	3256-21	Washer	2
20	3290-144	Hex Hd. Machine Screw	2
21	28-0040	Panel Headlight	1
22	39-6800	Stud – Hood Duct	4
*	8-3579	Headlight Assy. (Incl. Ref. #1-4)	2

*Not Illustrated

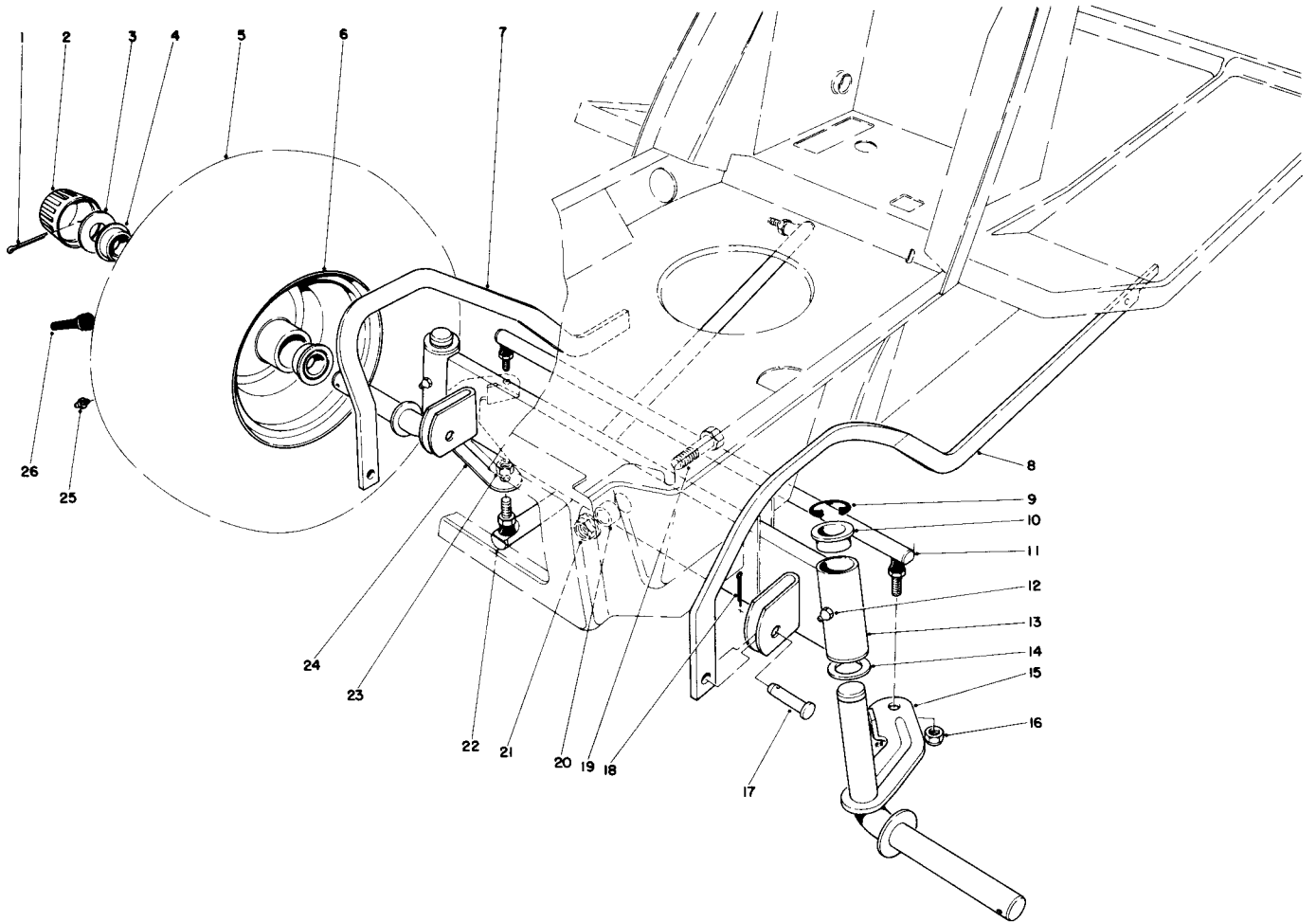


HOOD DUCT ASSEMBLY

Ref. No.	Part No.	Description	No. Used
1	39-5090	Hood Duct (Model 57385)	1
*	39-5140	Hood Duct (Model 57380)	1
2	36-8160	Seal - Engine	1
3	39-8880	Bracket Rear Duct Support	2

Ref. No.	Part No.	Description	No. Used
4	36-7000	Decal - Belt Change	1
5	36-5190	Decal - Service	1
6	32152-4	Locknut	4
7	39-5340	Bracket Duct Support	2

*Not Illustrated

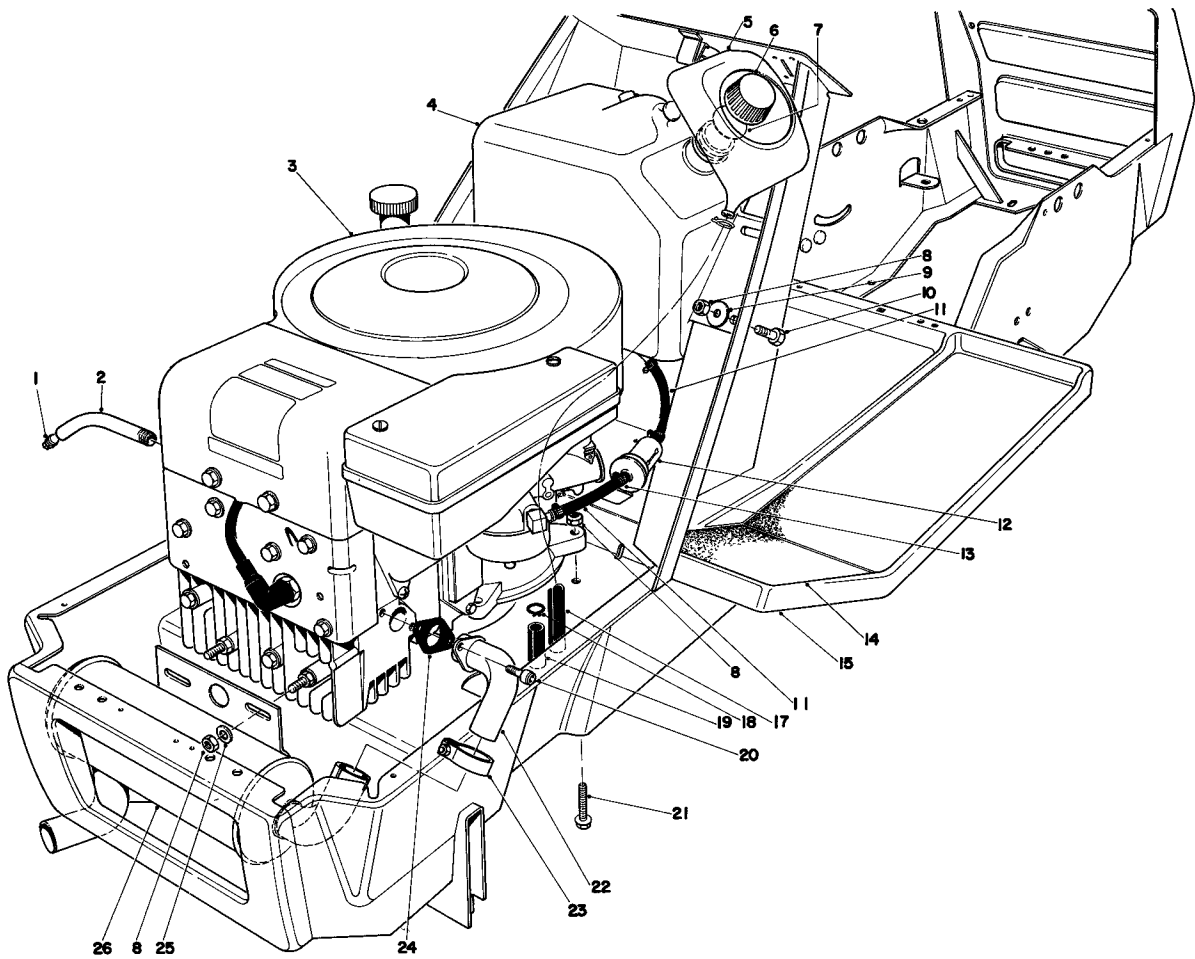


FRONT AXLE ASSEMBLY

Ref. No.	Part No.	Description	No. Used
1	3272-12	Cotter Pin	2
2	28-0060	Hub Cap	2
3	28-2480	Washer	2
4	251-210	Ball Bearing	4
5	231-94	Tire	2
6	242-60	Rim	2
7	28-0200	Parallel Link R.H.	1
8	28-0210	Parallel Link L.H.	1
9	32151-48	E. Ring	2
10	27-9080	Flange Bearing	4
11	28-0070	Tire Rod Steering	1
12	302-49	Grease Fitting	2
13	36-1500	Front Axle (Incl. Ref. #10)	1

Ref. No.	Part No.	Description	No. Used
14	3-6498	Thrust Washer	2
15	36-1560	Spindle L.H.	1
16	32146-4	Locknut	2
17	283-2	Clevis Pin	2
18	3272-6	Cotter Pin	2
19	325-6	Capscrew	1
20	28-0380	Spacer Front Axle	1
21	32128-23	Flange Nut	1
22	39-1910	Steering Arm	1
23	32146-6	Locknut	1
24	36-1550	Spindle R.H.	1
25	302-5	Grease Fitting	2
26	232-27	Valve Stem w/Cap	2
*	232-38	Inner Tube (Optional)	2

*Not Illustrated

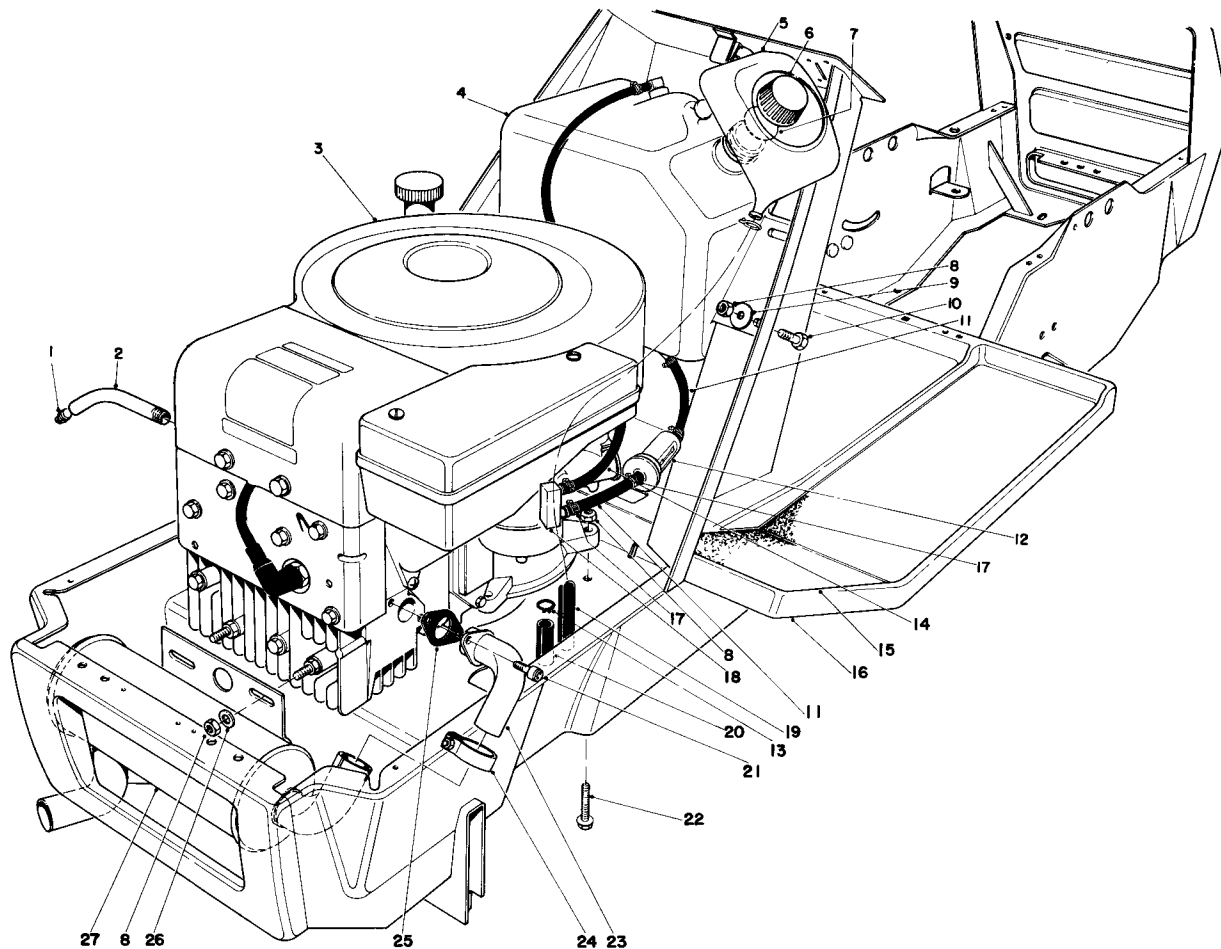


ENGINE ASSEMBLY MODEL 57380

Ref. No.	Part No.	Description	No. Used	Ref. No.	Part No.	Description	No. Used
1	281-1	Pipe Plug	1	15	38-0870	Frame	1
2	28-8650	Drain Tube – Oil	1	17	39-4030	Hose – Funnel	1
3	221-615	Engine	1	18	2412-62	Hose Clamp	2
4	36-3360	Gas Tank (Incl. Ref. #5)	1	19	39-4040	Hose – Carburetor Drain	1
5		Funnel – Overflow	1	20	3274-52	Hex Socket Capscrew	2
6	28-9680	Gas Cap (Incl. Ref. #7)	1	21	322-6	Capscrew	4
7	28-9670	Gasket Gas Cap	1	22	28-0170	Exhaust Pipe	1
8	32152-1	Locknut	10	23	28-4200	Clamp – Exhaust Pipe	1
9	5-1350	Washer	4	†24		Exhaust Gasket	1
10	322-3	Capscrew	4	25	3256-23	Washer	2
11	38-8010	Gas Hose	2	26	27-9070	Muffler	1
12	38-8000	Fuel Filter	1	*	3290-378	Cable Tie	2
13	2412-36	Hose Clamp	4	*	36-7880	Muffler – Spark Arrester (Optional)	1
14	27-9050	Foot Tread L.H.	1	*	8-7859	Loose Parts	1
*	27-9040	Foot Tread R.H.	1				

*Not Illustrated

†Obtain from local Briggs & Stratton dealer.

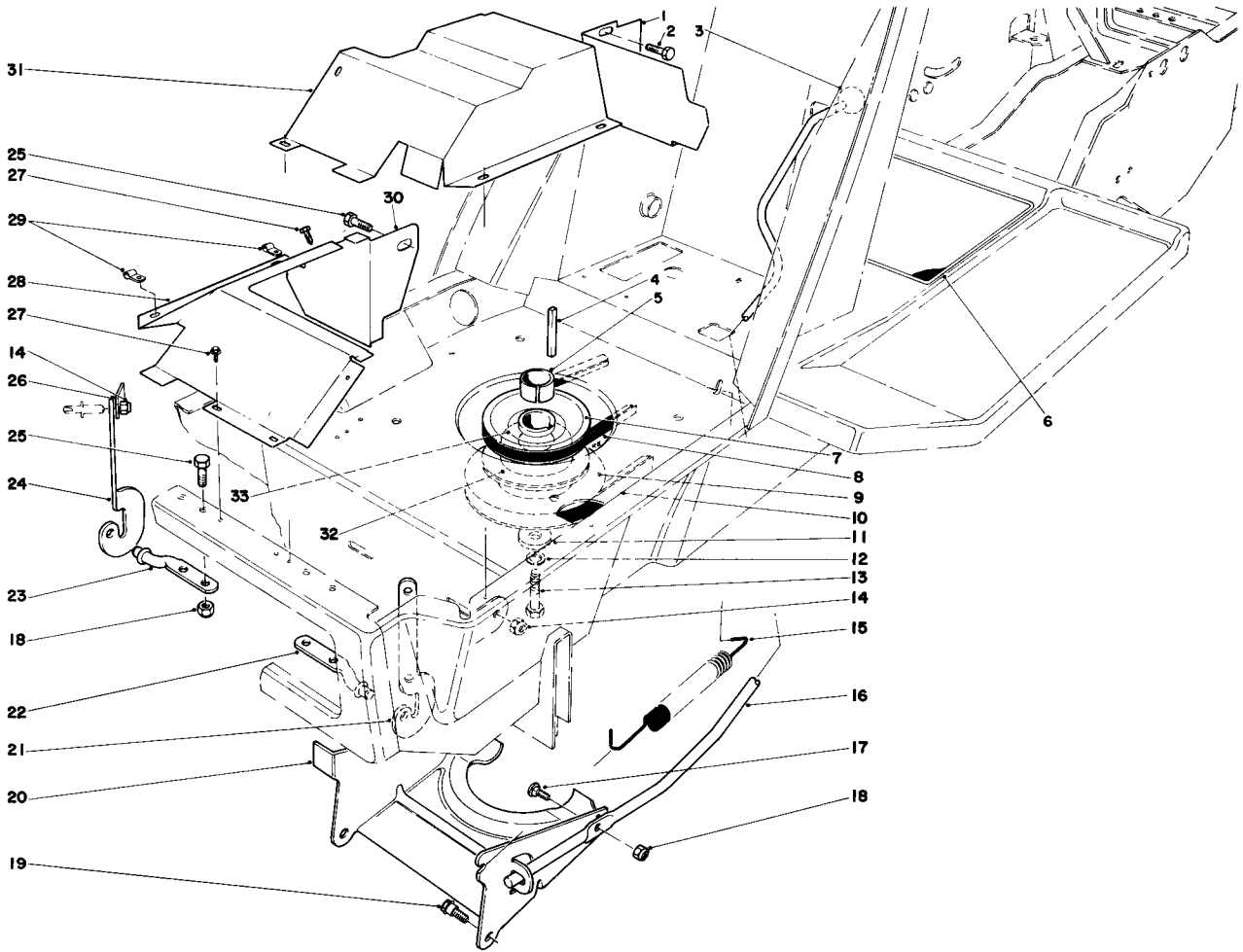


ENGINE ASSEMBLY MODEL 57385

Ref. No.	Part No.	Description	No. Used
1	281-1	Pipe Plug	1
2	28-8650	Drain Tube Oil	1
3	221-606	Engine	1
4	36-3350	Gas Tank Assembly (Incl. Ref. #5)	1
5		Funnel Overflow	1
6	28-9680	Gas Cap Assembly (Incl. Ref. #7)	1
7	28-9670	Gasket Gas Cap	1
8	32152-1	Locknut	10
9	5-1350	Washer	4
10	322-3	Capscrew	4
11	33-2140	Hose – Gas	2
12	38-8700	Fuel Filter	1
13	2412-62	Clamp – Hose	2
14	29-7870	Hose – Gas Return	1
15	27-9050	Foot Tread L.H.	1
*	27-9040	Foot Tread R.H.	1

Ref. No.	Part No.	Description	No. Used
16	38-0870	Frame	1
17	2412-36	Clamp – Hose	6
18	33-2260	Fitting – Carburetor	1
19	39-4030	Hose – Funnel	1
20	39-4040	Hose – Carburetor Drain	1
21	3274-53	Hex Socket Capscrew	2
22	322-6	Capscrew	4
23	28-0290	Exhaust Pipe	1
24	23-7760	Clamp – Exhaust Pipe	1
†25		Exhaust Gasket	1
26	3256-23	Washer	2
27	28-0300	Muffler	1
*	3290-378	Cable Tie	2
*	36-7890	Muffler – Spark Arrestor (Optional)	1
*	8-7859	Loose Parts	1

*Not Illustrated

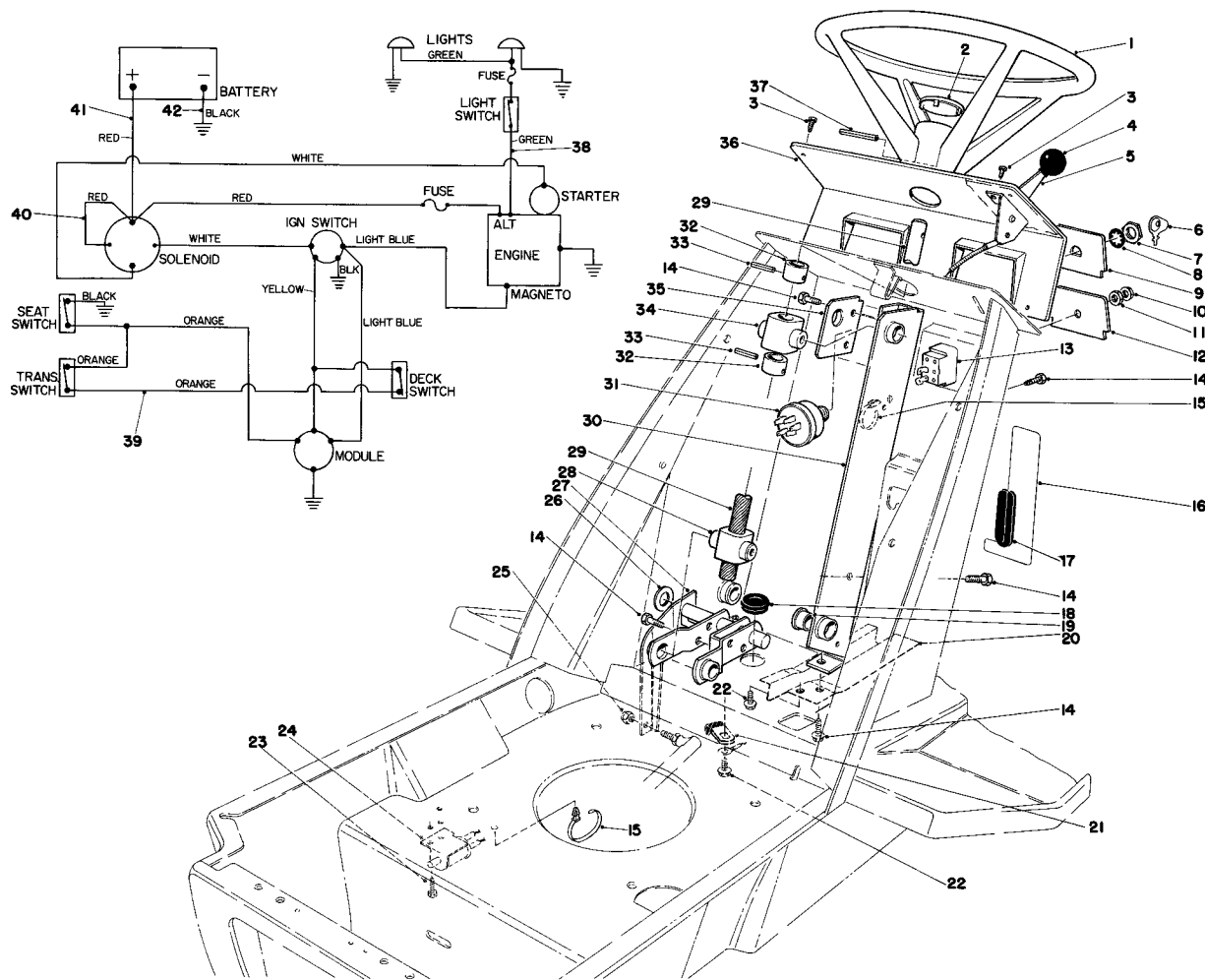


CLUTCH & ACTUATOR ASSEMBLY

Ref. No.	Part No.	Description	No. Used
1	28-3990	Support – Exhaust Shield (Model #57385)	1
*	28-3870	Support – Exhaust Shield (Model #57380)	1
2	321-3	Capscrew	1
3	233-42	Knob	1
4	5-1336	Square Key	1
5	27-8910	Spacer – Pulley	1
6	28-8140	Decal – Operation	1
7	36-4810	Sheave	1
8	28-2650	V-Belt – Traction	1
9	8-7849	Clutch & Brake – Deck (Incl. Ref. #32 & 33)	1
10	28-5250	V-Belt – Deck	1
11	27-8920	Washer	1
12	3253-22	Lockwasher	1
13	3212-21	Capscrew – Patchlock	1
14	32152-4	Locknut	6
15	27-8960	Spring – Deck Engagement	1
16	28-2320	Engagement Lever	1
17	3-5861	Carriage Bolt	1
18	32152-1	Locknut	5
19	11-9030	Shoulder Screw	2

Ref. No.	Part No.	Description	No. Used
20	38-2800	Actuator – Clutch	1
21	28-0120	Bracket – Hinge L.H.	1
22	28-0110	Hinge Pin – Hood L.H.	1
23	28-0100	Hinge Pin – Hood R.H.	1
24	28-0130	Bracket – Hinge R.H.	1
25	322-2	Capscrew	5
26	37-0170	Bracket Screen Support	2
27	32104-76	Screw – Self Tapping	12
28	33-0840	Heat Shield (Model #57385)	1
*	33-0950	Heat Shield (Model #57380)	1
29	2412-51	Clamp (Model #57385)	2
30	28-3980	Support – Heat Shield (Model #57385)	1
*	28-3900	Support – Heat Shield (Model #57380)	1
31	33-0820	Heat Shield (Model #57385)	1
*	33-0940	Heat Shield (Model #57380)	1
32	40-6560	Platter	1
33	40-6720	Washer – Spring	1
*	40-0560	Clip – Clutch (Incl. with Item #9)	1
*	29-9950	Spring (Incl. with Item #9)	1

*Not Illustrated

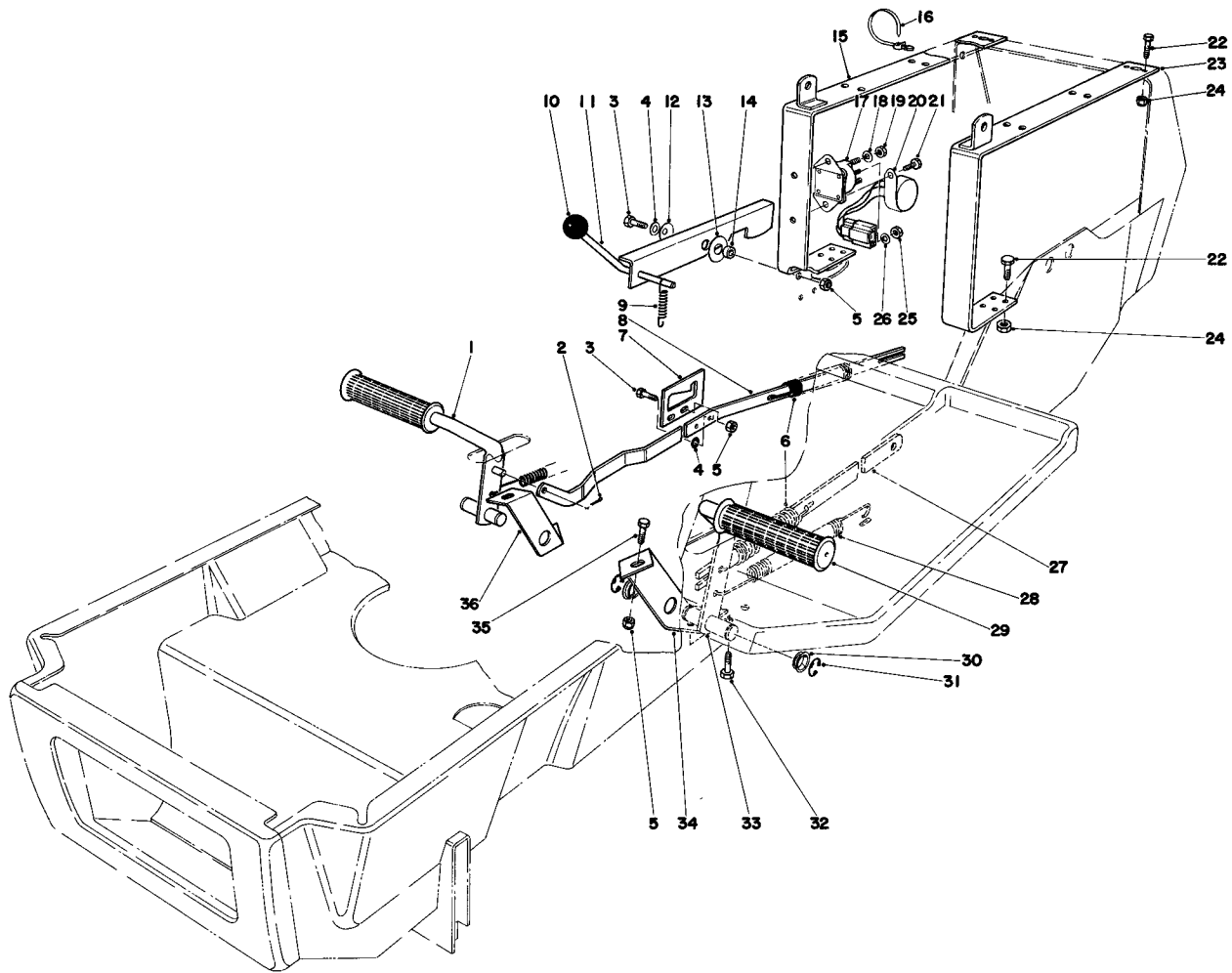


STEERING WHEEL & DASH ASSEMBLY

Ref. No.	Part No.	Description	No. Used
1	38-0830	Steering Wheel	1
2	39-3590	Insert Steering Wheel (Model #57385)	1
*	39-6850	Insert Steering Wheel (Model #57380)	1
3	32104-76	Screw - Self Tapping	7
4	233-25	Knob	1
5	38-0990	Throttle Control (Incl. Ref. #4)	1
6	218-412	Key	2
7	218-461	Nut	1
8	3254-5	Lockwasher	1
9	28-2690	Insert - Dash Panel (Ignition)	1
10	218-497	Beveled Facenut	1
11	218-498	Locknut	1
12	28-2510	Insert - Dash Panel (Lights) (Model #57385)	1
*	28-2500	Insert - Dash Panel (Model #57380)	1
13	28-4110	Light Switch (Model #57385) (Incl. Ref. #10 & 11)	1
14	32144-11	Self Tapping Screw	7
15	3290-410	Push Mount Tie	2
16	36-2230	Decal - Deck	1
17	29-4780	Edge Molding	1
18	237-100	Grommet	1
19	27-9080	Flange Bearing	2

Ref. No.	Part No.	Description	No. Used
20	36-1570	Shield Wire Harness	1
21	18-2970	Clamp	1
22	32144-10	Screw Thread Forming	2
23	32144-1	Screw Thread Forming	2
24	28-4450	Interlock - Deck Switch	1
25	32146-6	Locknut	1
26	11-6240	Washer	1
27	36-3470	Steering Link	1
28	37-0140	Follower - Steering Shaft	1
29	38-5310	Shaft - Steering	1
30	36-2040	Bracket - Steering	1
31	23-0660	Ignition Switch (Incl. Ref. #6-8)	1
32	28-3940	Collar - Steering Shaft	2
33	32121-31	Roll Pin	2
34	37-0150	Bearing - Steering Shaft	1
35	28-0390	Bearing Support - Steering	1
36	28-2460	Panel - Dash	1
37	32121-78	Roll Pin	1
38	38-1030	Wire Harness Lights (Model #57385)	1
39	38-0880	Wire Harness	1
40	28-7880	Wire - Solenoid	1
41	28-3890	Wire Assembly (Battery to Solenoid)	1
42	28-3860	Wire Assembly (Battery to Ground)	1

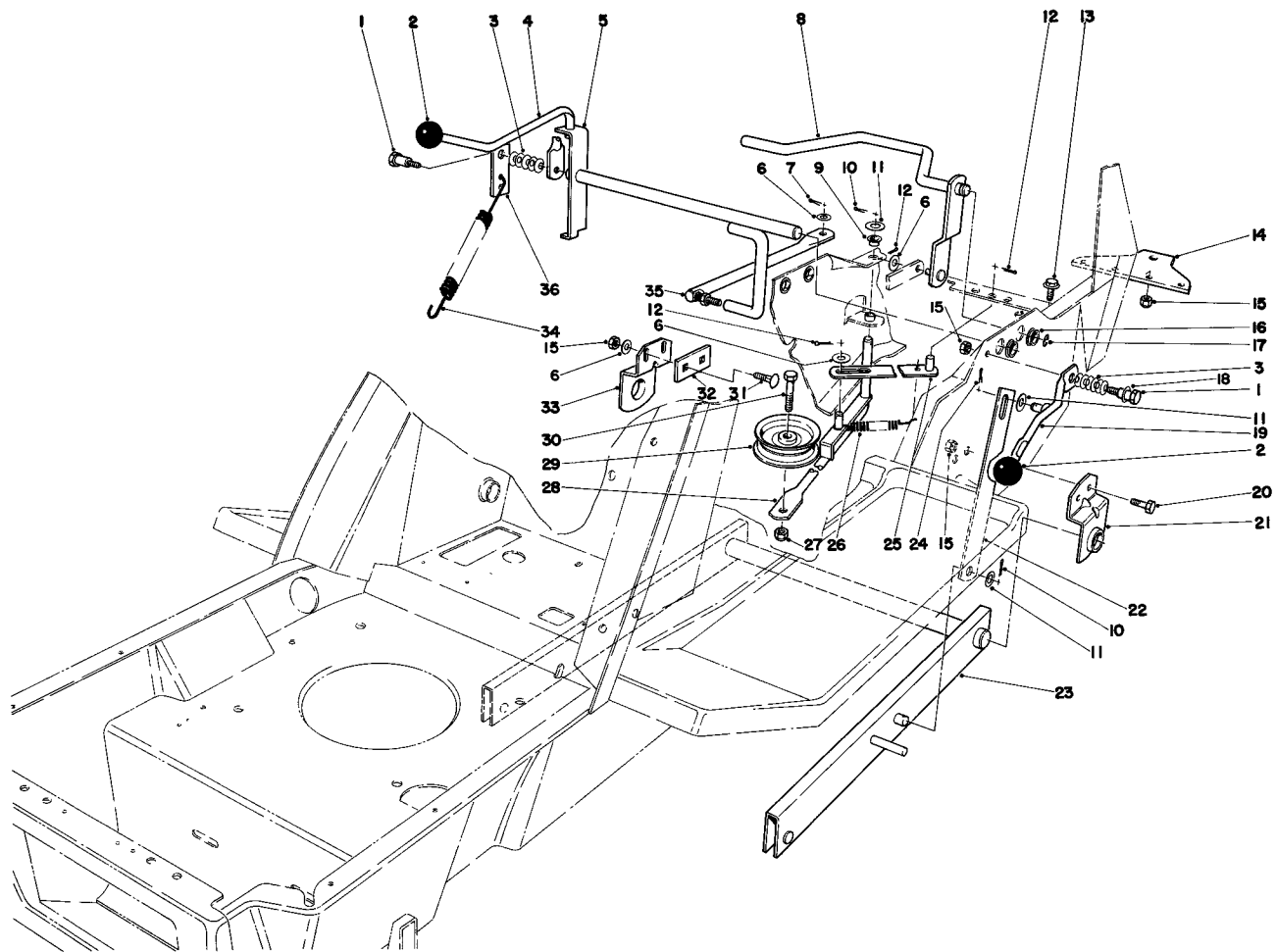
*Not Illustrated



BRAKE & CLUTCH PEDAL ASSEMBLY

Ref. No.	Part No.	Description	No. Used
1	28-2530	Brake Pedal	1
2	3272-10	Cotter Pin	1
3	322-3	Capscrew	3
4	3256-23	Washer	3
5	32152-1	Locknut	5
6	27-8950	Spring – Extension	2
7	28-9370	Latch Plate – Brake Rod	1
8	28-9350	Link – Brake Rod	1
9	8-9900	Spring – Control Rod	1
10	233-42	Knob	1
11	28-2570	Parking Brake Lever	1
12	3290-413	Belleville Washer	1
13	28-2450	Washer	1
14	28-2440	Spacer	1
15	38-0940	Strap – Rear Body R.H.	1
16	3290-410	Push Mount Tie	3
17	28-4210	Solenoid	1
18	3253-4	Lockwasher	2

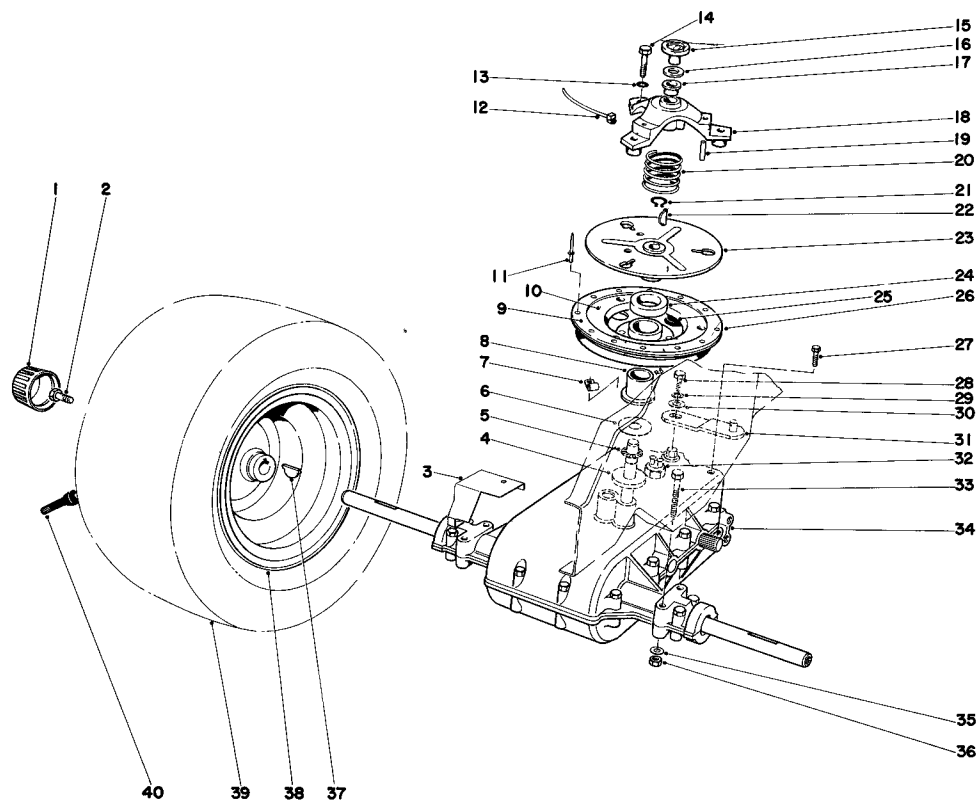
Ref. No.	Part No.	Description	No. Used
19	3218-13	Nut	2
20	28-7890	Module – Interlock	1
21	32144-10	Screw Thread Forming	2
22	321-3	Capscrew	8
23	38-0950	Strap – Rear Body L.H.	1
24	32152-4	Locknut	8
25	3219-14	Nut	2
26	3253-17	Lockwasher	2
27	28-0430	Link Clutch Rod	1
28	27-8890	Spring – Return	2
29	28-2470	Pad – Foot	2
30	256-258	Nyliner	4
31	32120-19	E-Ring	4
32	32144-11	Self Tapping Screw	4
33	28-2520	Clutch Pedal	1
34	28-0420	Support Pedal	1
35	322-2	Capscrew	2
36	28-0410	Support Pedal R.H.	1



SHIFT & CLUTCH ASSEMBLY

Ref. No.	Part No.	Description	No. Used
1	28-0540	Shoulder Bolt	2
2	233-48	Knob	2
3	3290-413	Belleville Washer	11
4	28-2190	Shift Lever	1
5	28-2590	Shift Lever	1
6	3256-23	Washer	5
7	3272-6	Cotter Pin	1
8	27-9090	Clutch Actuator	1
9	256-257	Flanged Nyloner	2
10	3272-11	Cotter Pin	2
11	3256-26	Washer	3
12	3272-10	Cotter Pin	3
13	3234-5	Hex Flange Capscrew	4
14	28-2250	Plate - Hitch	1
15	32152-1	Locknut	9
16	256-258	Nyloner	4
17	32120-19	E-Ring	2
18	3256-4	Washer	1
19	28-2180	Height-of-Cut Handle	1

Ref. No.	Part No.	Description	No. Used
20	322-2	Capscrew	2
21	28-4050	Retainer - Pivot Bar L.H.	1
22	28-0400	Strap Height-of-Cut	1
23	27-9180	Pivot Bar	1
24	3272-7	Cotter Pin	1
25	28-2270	Spring Retainer	1
26	28-2340	Spring - Deck Tension	1
27	32152-2	Locknut	1
28	28-0500	Idler Arm	1
29	36-1020	Idler Pulley	1
30	323-10	Capscrew	1
31	3230-2	Carriage Bolt	2
32	38-6610	Spacer	1
33	28-4060	Retainer - Pivot Bar R.H.	1
34	27-8960	Spring - Deck Engagement	1
35	28-2210	Shift Arm	1
36	28-9400	Bracket - Counter Balance Spring	1



TRANSAXLE & CLUTCH ASSEMBLY

Ref. No.	Part No.	Description	No. Used
1	28-0060	Hub Cap	2
2	36-4030	Capscrew	2
3	29-6940	Shield – Grass	1
4	39-4770	Spacer	1
5	252-58	Thrust Bearing	1
6	27-8820	Thrust Washer	1
7	18-2970	Clamp	1
8	28-4150	Bushing	1
9	27-8800	Clutch Pad	1
10	27-8790	Retainer Ring	1
11	3295-13	Rivet	12
12	3290-410	Push Mount Tie	1
13	3254-8	Lockwasher	3
14	321-5	Capscrew	3
15	36-2130	Cap Clutch	1
16	252-94	Thrust Race	1
17	256-259	Bushing	1
18	28-2560	Clutch Cover (Incl. Ref. #17 & 19)	1
19	252-92	Needle – Roller	3
20	36-2220	Spring Compression	1

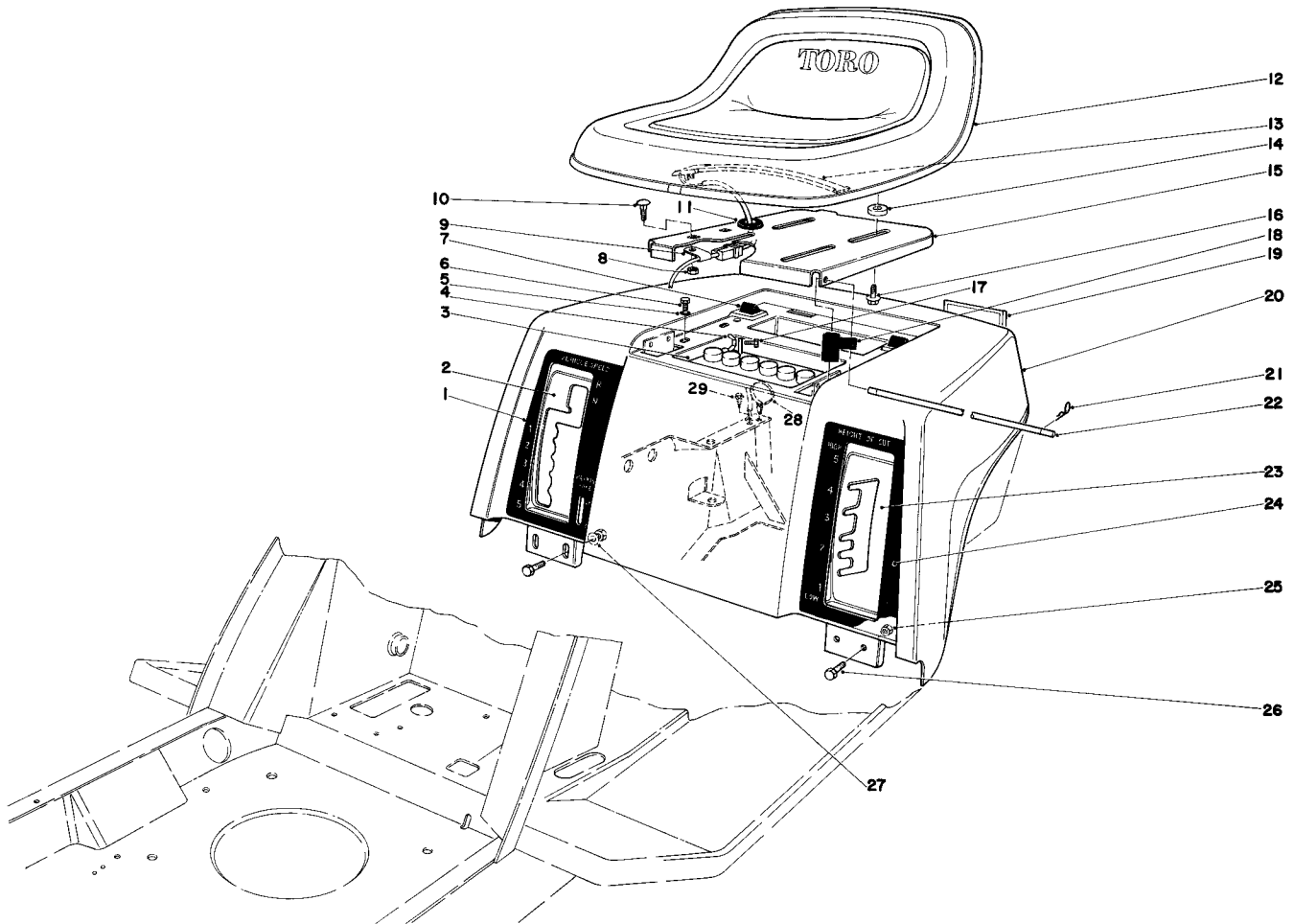
Ref. No.	Part No.	Description	No. Used
21	32120-64	Retaining Ring	1
22	3257-30	Key	1
23	27-9030	Clutch Plate	1
24	28-4220	Felt Washer	1
25	2410-40	Plug	3
26	8-4899	Sheave Assembly (Incl. Ref. #8-11)	1
27	32144-11	Self Tapping Screw	2
28	329-2	Capscrew	1
29	3253-3	Lockwasher	1
30	3256-22	Washer	1
31	28-2380	Shift Bracket	1
32	28-4250	Switch – Neutral	1
33	322-11	Capscrew	4
34	39-4780	Transaxle	1
35	3256-23	Washer	4
36	32152-1	Locknut	4
37	3257-40	Hi Pro Key	2
38	242-61	Rim	2
39	231-93	Tire	2
40	232-27	Valve Stem & Cap	2
*	231-91	Tube (Optional)	2

*Not Illustrated

PEERLESS TRANSAXLE MODEL 801B

Ref. No.	Part No.	Description	No. Used
1	770069A	Case, Transaxle	1
2	778136	Gear, Spur (15 teeth)	1
3	778126	Gear, Spur (20 teeth)	1
4	778127	Gear, Spur (25 teeth)	1
5	778129	Gear, Spur (30 teeth)	1
6	778121A	Gear, Spur (20 teeth)	1
7	778123	Gear, Spur (25 teeth)	1
8	778124	Gear, Spur (30 teeth)	1
9	778122	Gear, Spur (22 teeth)	1
10	778128	Gear, Spur (28 teeth)	1
11	778125	Gear, Spur (35 teeth)	1
12	778137	Gear, Bevel (42 teeth)	1
13	784266	Collar, Shift	1
14	786083	Sprocket (18 teeth)	1
15	786082	Sprocket (9 teeth)	1
16	776181	Shaft, Counter	1
17	778113A	Bevel Pinion, Input	1
18	786074	Spacer	1
19	778138	Pinion, Output	1
20	778139	Gear, Output	1
21	790003	Disk, Brake	1
22	792089A	Key	1
23	786075	Spacer	1
24	780001	Washer	1
25	788040	Ring, Retaining	1
26	780105	Bushing, Flanged	1
27	780118	Bushing, Flanged	1
28	786081	Chain, Roller (No. 41 chain, 24 links)	1
29	780072	Washer, Thrust	1
30	780086	Bearing, Needle	1
31	792077	Ball, Steel	1
32	780109	Washer, Thrust	1
33	792078	Screw, Set	1
34	792079	Spring	1
35	792073	Screw, Hex Hd. Thread Forming	1
36	780108	Washer, Thrust	1
37	780111	Bearing, Needle	1

Ref. No.	Part No.	Description	No. Used
38	780113	Washer, Flat	1
39	530105	Bearing, Needle	1
40	788042	Seal, Oil	1
41	788051	Ring, Square Cut	1
42	792001	Ring, Square Cut	1
43	780112	Bearing, Needle	1
44	780114	Washer, Flat	1
45	788052	Ring, Square Cut	1
46	788053	Ring, Square Cut	1
47	772078A	Cover, Transaxle	1
48	784290	Rod & Fork Assy., Shift	1
49	776182	Shaft, Input	1
50	776183	Shaft, Brake	1
51	790007	Plate, Brake Pad	1
52	790006	Pad, Brake	1
53	786026	Pin, Dowel	1
54	792075	Locknut	1
55	792076	Washer, Flat	1
56	790022	Lever, Brake	1
57	792073	Screw, Hex Hd. Thread Forming	1
57A	792085	Screw, Hex Hd. Thread Forming	1
58	790020	Holder, Brake Pad	1
59	778053A	Gear Assy., Differential (Incl. 2 of No. 60)	1
60	780064	Bushing	1
61	778067	Gear, Bevel	1
62	778068	Pinion, Bevel	1
63	786034	Pin, Drive	1
64	780065	Washer, Thrust	1
65	792018	Ring, Retaining	1
66	792040	Pin, Roll	1
67	780001	Washer, Thrust	1
68	774364A	Axle (14-7/8" long)	1
69	774363A	Axle (13" long)	1
70	786067	Spacer	1
71	786084	Sleeve	1
72	792035	Ring, Retaining	1

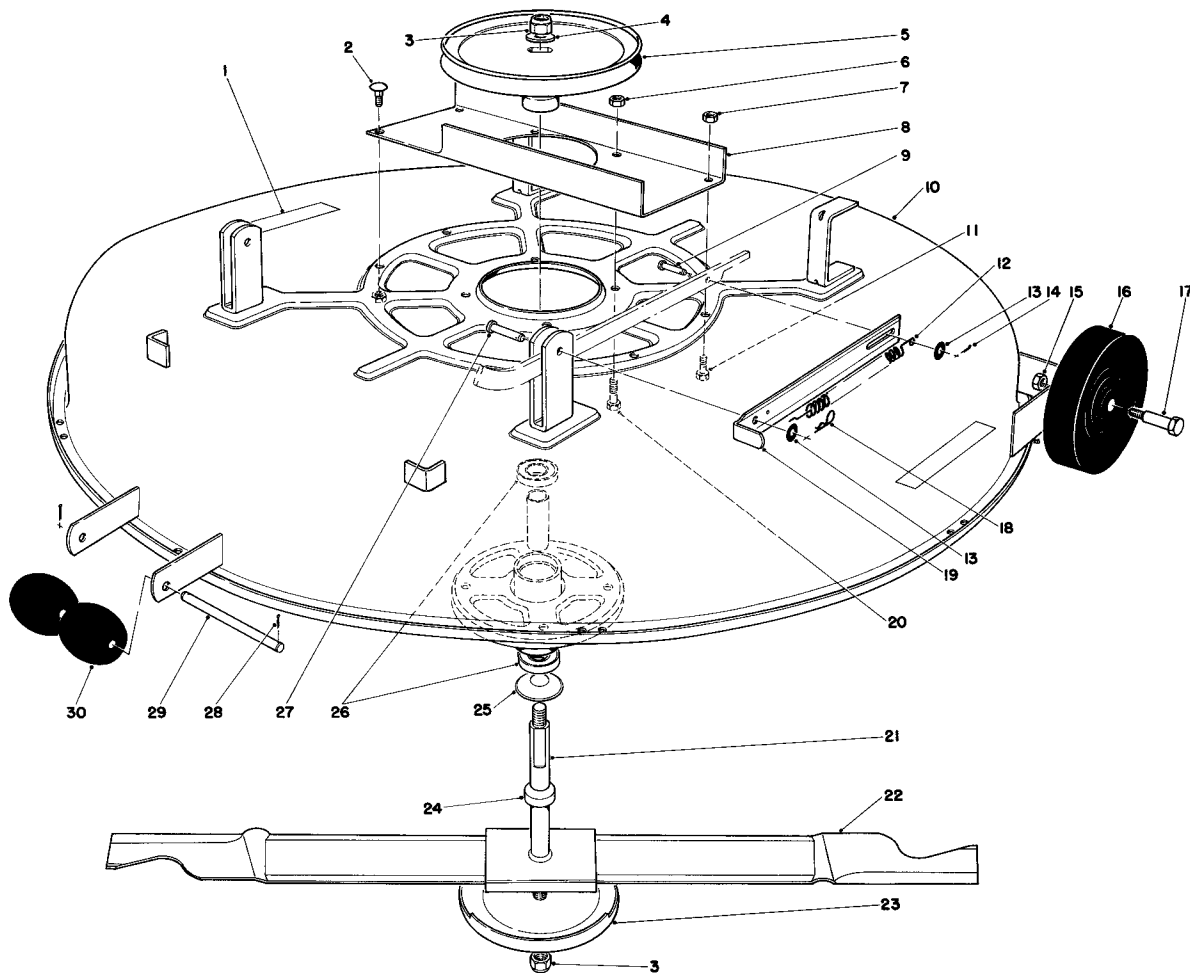


REAR BODY & SEAT ASSEMBLY

Ref. No.	Part No.	Description	No. Used
1	36-1530	Decal – Transmission	1
2	28-0370	Plate – Detent	1
3	29-9870	Battery (Model #57385)	1
*	28-1400	Battery (Model #57380)	1
4	32103-22	Wing Nut	2
5	5-1350	Washer	4
6	32144-11	Hex Hd. Self Tapping Screw	4
7	28-9440	Seat Bumper	2
8	32149-2	Locknut	2
9	2412-66	Clamp	2
10	3229-11	Carriage Bolt	2
11	237-100	Grommet	1
12	38-0840	Seat (Model #57385)	1
*	38-0850	Seat (Model #57380)	1
13	38-1420	Seat Switch	1

Ref. No.	Part No.	Description	No. Used
14	26-4840	Spacer	4
15	36-1490	Seat Support	1
16	3234-5	Hex Flange Capscrew	4
17	321-3	Capscrew	2
18	28-8080	Boot Terminal	1
19	218-491	Reflector	2
20	8-3219	Rear Body (Incl. Ref. #1 & 24)	1
21	3290-307	Hair Pin Cotter	2
22	28-2400	Pivot Rod – Seat	1
23	28-0530	Quadrant Height-of-Cut	1
24	28-4270	Decal – Height-of-Cut	1
25	32152-1	Locknut	4
26	322-2	Capscrew	4
27	3256-23	Washer	2
28	3290-410	Push Mount Tie	1
29	32104-76	Self Tapping Screw	1

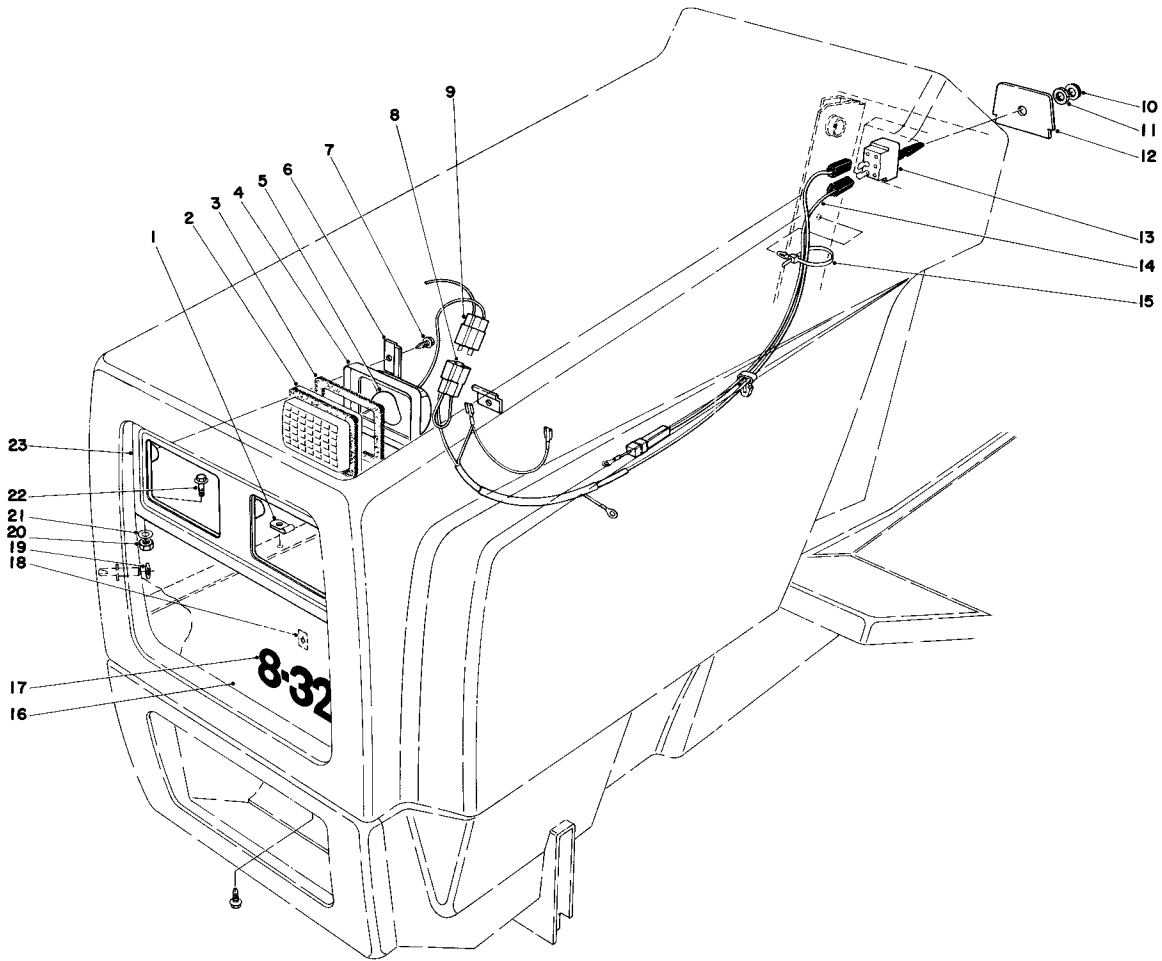
*Not Illustrated



MULCHER DECK

Ref. No.	Part No.	Description	No. Used
1	36-6590	Decal — Caution	2
2	3229-11	Carriage Bolt	1
3	17-0980	Special Nut	2
4	40-0570	Thrust Washer	1
5	36-4990	Pulley — Blade Drive	1
6	32152-1	Locknut	4
7	32153-4	Locknut	4
8	36-1290	Channel Reinforcement	1
9	283-2	Clevis Pin	2
10	39-3300	Mulcher Deck	1
11	321-3	Capscrew	3
12	28-2340	Spring Deck Tension	2
13	3256-24	Washer	4
14	3272-6	Cotter Pin	2
15	32146-6	Stop Nut	2
16	29-6010	Wheel	2

Ref. No.	Part No.	Description	No. Used
17	3-2652	Shoulder Bolt	2
18	3290-250	Hair Pin Cotter	2
19	39-5370	Strap — Deck Spring	2
20	322-5	Capscrew	4
21	28-4280	Spindle Assembly (Incl. Ref. #24-26)	1
22	39-3480	Blade	1
23	7-3522	Anti Scalp Cup	1
24	38-3180	Spacer	1
25	38-0470	Dust Cover	1
26	37-0200	Bearing	2
27	283-15	Clevis Pin	2
28	3272-11	Cotter Pin	2
29	7-0277	Shaft Roler	1
30	29-4820	Roller	2

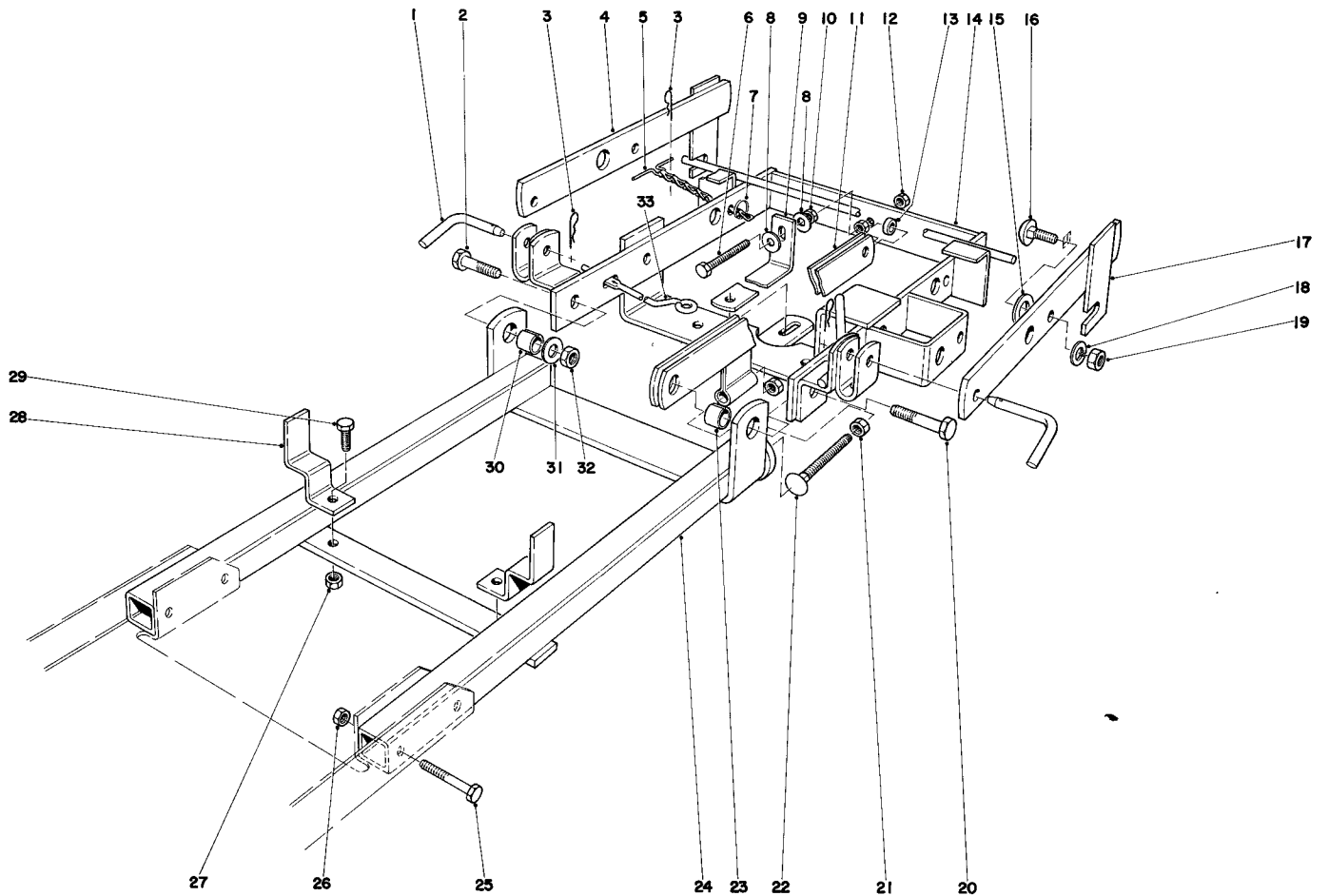


HEADLIGHT KIT NO. 38-5760

Ref. No.	Part No.	Description	No. Used
1	2412-51	Clamp	1
2	219-14	Lens	2
3	219-13	Gasket Lens	4
4	38-2580	Reflector Assembly	2
5		Bulb GE #1156	2
6	28-0050	Clamp Headlight	3
7	32104-76	Self Tapping Screw	3
8	218-493	Connector	1
9	218-508	Socket	1
10	218-497	Beveled Facenut	1
11	218-498	Locknut	1
12	28-2510	Insert — Dash Panel	1

Ref. No.	Part No.	Description	No. Used
13	28-4110	Light Switch	1
14	38-1030	Wire Harness	1
15	3290-378	Cable Tie	5
16	28-0020	Grille Headlight	1
17	28-2660	Nameplate Grille	1
18	3290-299	Tinnerman Nut	2
19	5-1350	Washer	2
20	32153-1	Locknut	2
21	3256-21	Washer	2
22	3290-144	Hex Hd. Machine Screw	2
23	28-0040	Panel Headlight	1
*	8-3579	Headlight Assembly (Incl. Ref. #2-5)	2

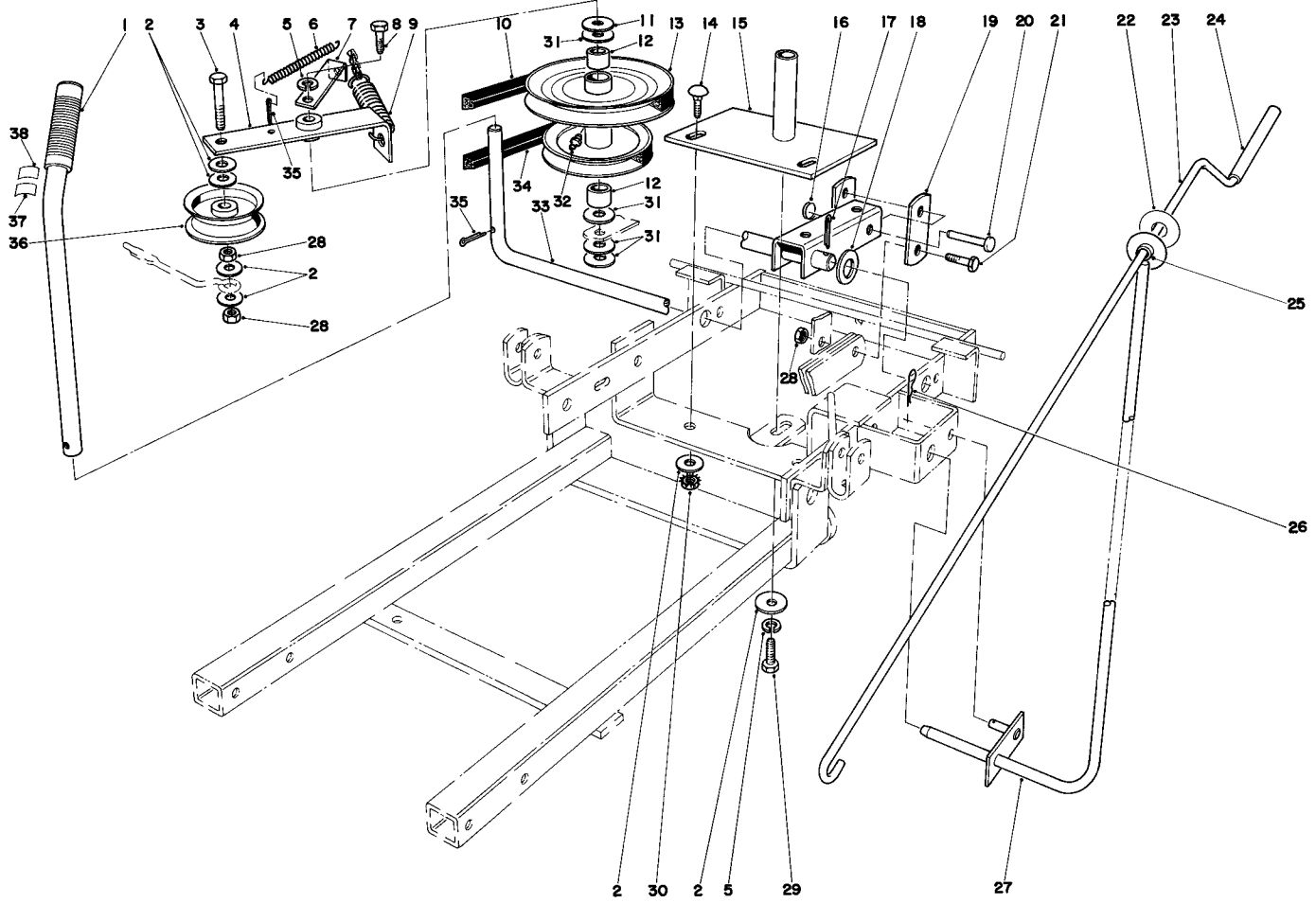
*Not Illustrated



36" SNOWTHROWER ATTACHMENT MODEL NO. 59136

Ref. No.	Part No.	Description	No. Used
1	40-1330	Pin-Roller, Locating	2
2	325-7	Hex Head Capscrew	1
3	3290-225	Hair Pin Cotter	3
4	40-1340	Mounting Bracket – R.H.	1
5	40-1300	Chain & Toggle	1
6	323-15	Hex Head Capscrew	1
7	40-1310	Spring Clip	1
8	3256-4	Washer	2
9	40-1220	Bracket – Belt Adjust	1
10	3218-3	Jam Nut	2
11	40-0940	Lift Extension	1
12	3217-7	Nut	1
13	40-0980	Spacer	1
14	40-1200	Mounting Frame – Upper	1
15	40-1320	Washer – Flat	2
16	3233-23	Carriage Bolt	2
17	40-1350	Mounting Bracket – L.H.	1

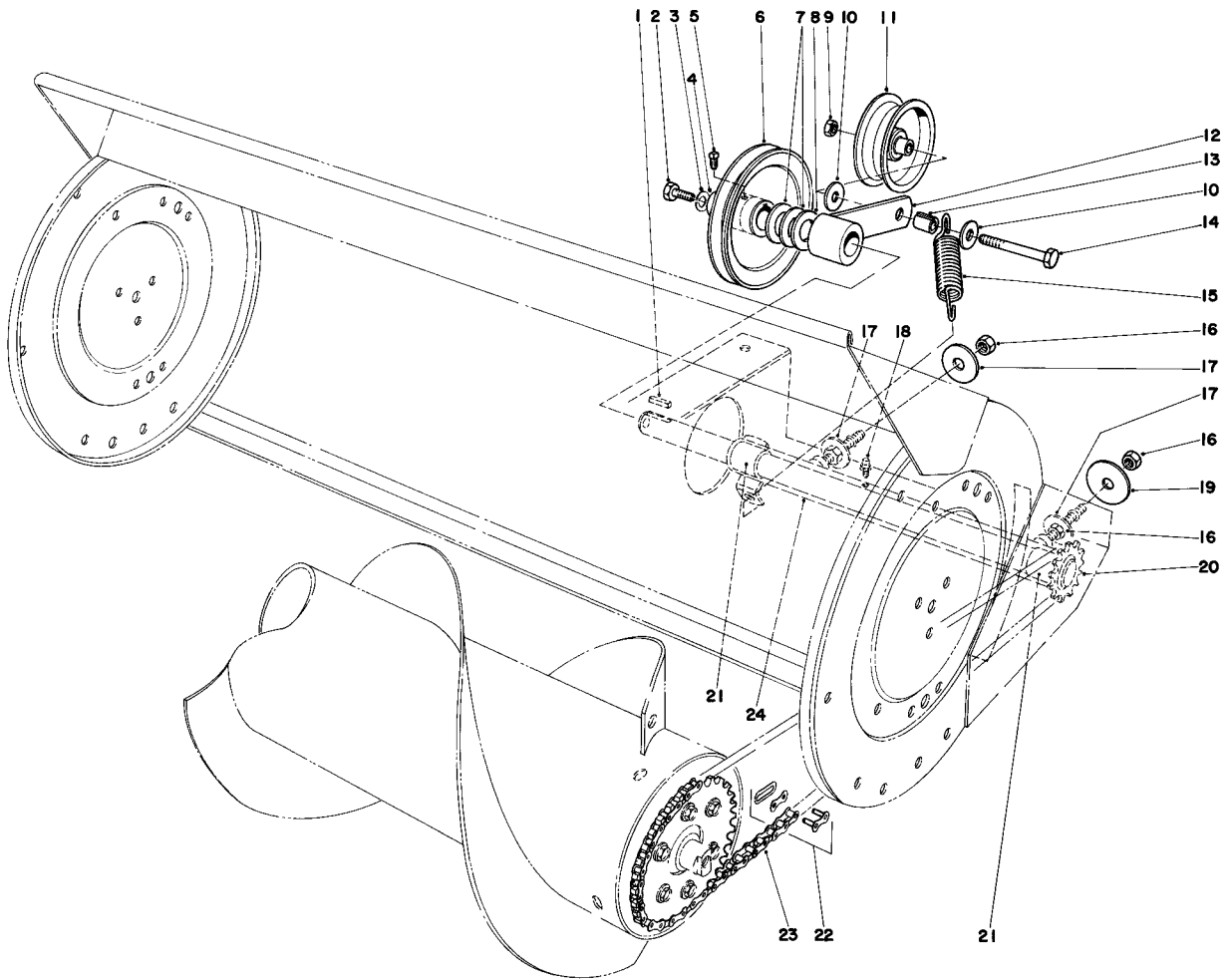
Ref. No.	Part No.	Description	No. Used
18	3253-8	Lockwasher	2
19	3217-11	Nut	2
20	325-9	Hex Head Capscrew	1
21	3218-5	Jamnut	2
22	40-1590	Carriage Bolt	1
23	40-1360	Spacer – Bearing	1
24	40-0930	Mounting Frame	1
25	322-9	Hex Head Capscrew	4
26	32152-1	Locknut	4
27	32152-2	Locknut	2
28	40-0990	Stop – Position	2
29	323-6	Hex Head Capscrew	2
30	40-1370	Spacer – Idler Pulley	1
31	3256-26	Washer	2
32	32152-3	Locknut	2
33	40-1290	Wire – Belt Guide	1



36" SNOWTHROWER ATTACHMENT MODEL NO. 59136 (Continued)

Ref. No.	Part No.	Description	No. Used
1	40-1010	Lift Handle (Incl. Ref. #37 & 38)	1
2	3256-4	Washer	7
3	323-12	Hex Head Capscrew	1
4	40-1250	Idler Arm	1
5	3253-21	Lockwasher	2
6	40-1280	Spring – Detent	1
7	40-1270	Bracket – Spring Anchor	1
8	323-4	Hex Head Capscrew	1
9	40-0730	Spring	1
10	40-1380	V-Belt	1
11	40-0740	Washer	1
12	40-1230	Roller Bearings	2
13	40-1240	Pulley Housing	1
14	3231-2	Carriage Bolt	2
15	40-1210	Mounting Bracket – Pulley	1
16	40-1310	Spring Clip	1
17	3272-12	Cotter Pin	1
18	40-0970	Spacer	1
19	40-0960	Strap – Lift Link	2

Ref. No.	Part No.	Description	No. Used
20	40-0950	Pin – Clevis, Handle	1
21	323-7	Hex Head Capscrew	1
22	40-1410	Decal – Spout Rotation	1
23	40-1110	Rod – Deflector Control	1
24	40-1100	Grip – Handle	1
25	40-1080	Nylon Bushing	1
26	3290-343	Hair Pin Cotter	1
27	40-1090	Crank Rod Support (Incl. Ref. #22 & 25)	1
28	32152-2	Locknut	3
29	323-6	Hex Head Capscrew	1
30	32149-10	Locknut	2
31	3-1000	Washer	4
32	302-5	Grease Fitting	1
33	40-1000	Lift Bar	1
34	40-1390	V-Belt	1
35	3272-21	Cotter Pin	2
36	40-1260	Idler Pulley	1
37	40-1020	Decal – Lift Control	1
38	40-1030	Decal – Raise & Lower	1

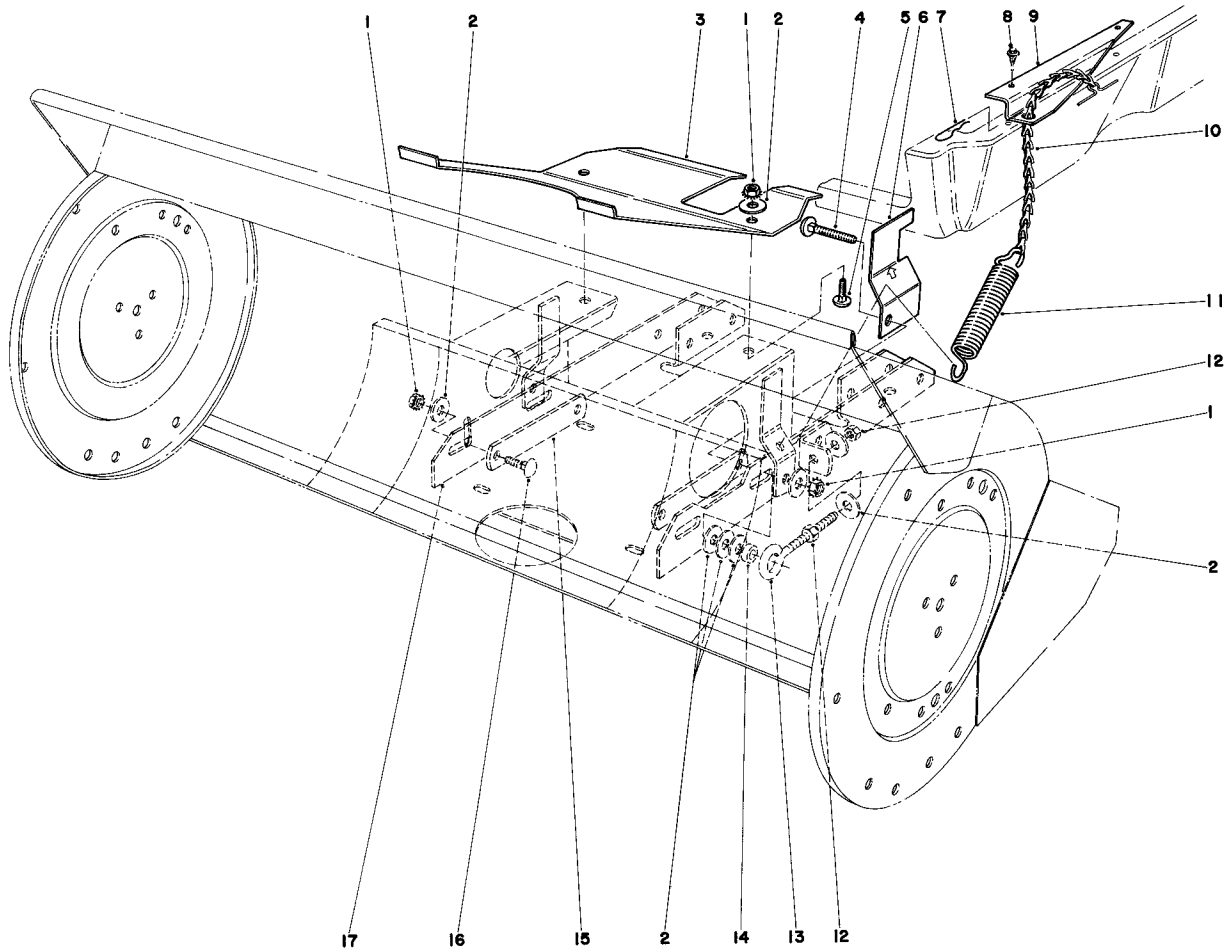


36" SNOWTHROWER ATTACHMENT MODEL NO. 59136 (Continued)

Ref. No.	Part No.	Description	No. Used
1	21-5070	Key	1
2	323-4	Hex Head Capscrew	1
3	3253-21	Lockwasher	1
4	3256-3	Washer	1
5	3242-2	Set Screw	2
6	40-0860	Pulley	1
7	3-1000	Washer	2
8	40-0740	Washer	1
9	32152-2	Locknut	1
10	3256-4	Washer	2
11	40-1260	Idler Pulley	1
12	40-0710	Idler Arm	1
13	40-0980	Spacer	1

Ref. No.	Part No.	Description	No. Used
14	323-12	Hex Head Capscrew	1
15	40-0730	Spring	1
16	3217-9	Nut	4
17	3256-5	Washer	3
18	302-5	Grease Fitting	1
19	40-0720	Flat Washer	1
20	40-0770	Shaft & Sprocket	1
21	40-0750	Bushing - Jackshaft	2
22	2710-6	Repair Kit - Roller Chain*	1
23	40-0700	Roller Chain - Endless	1
24	40-0760	Jackshaft Housing (Incl. Ref. #18)	1

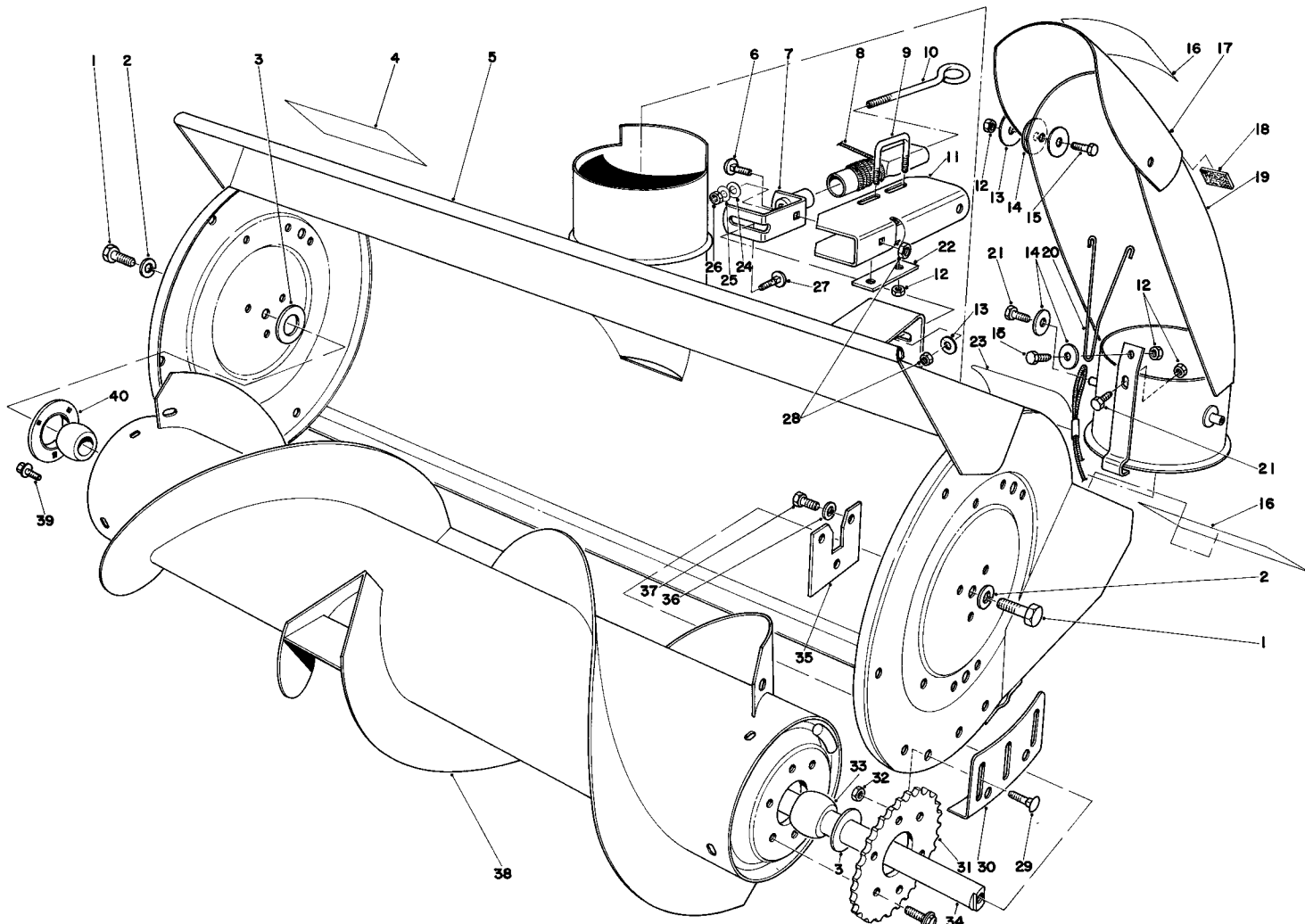
*Repair only



36" SNOWTHROWER ATTACHMENT MODEL NO. 59136 (Continued)

Ref. No.	Part No.	Description	No. Used
1	32149-10	Locknut	6
2	3256-4	Washer	16
3	40-0920	Guard - Drive Pulley	1
4	3231-7	Carriage Bolt	2
5	3231-21	Carriage Bolt	2
6	40-0900	Bracket - Belt Adjust Guide	1
7	3290-343	Hair Pin Cotter	1
8	32104-76	Screw - Self Tapping	2
9	40-0680	Plate - Lift Spring Anchor	1

Ref. No.	Part No.	Description	No. Used
10	40-0660	Chain & Toggle	1
11	40-0670	Spring - Idler Arm	1
12	3217-7	Nut	4
13	40-0880	Eye Bolt	2
14	40-0980	Spacer	2
15	40-0890	Strap - Header Channel	2
16	3231-2	Carriage Bolt	2
17	40-0910	Pivot Bracket	1

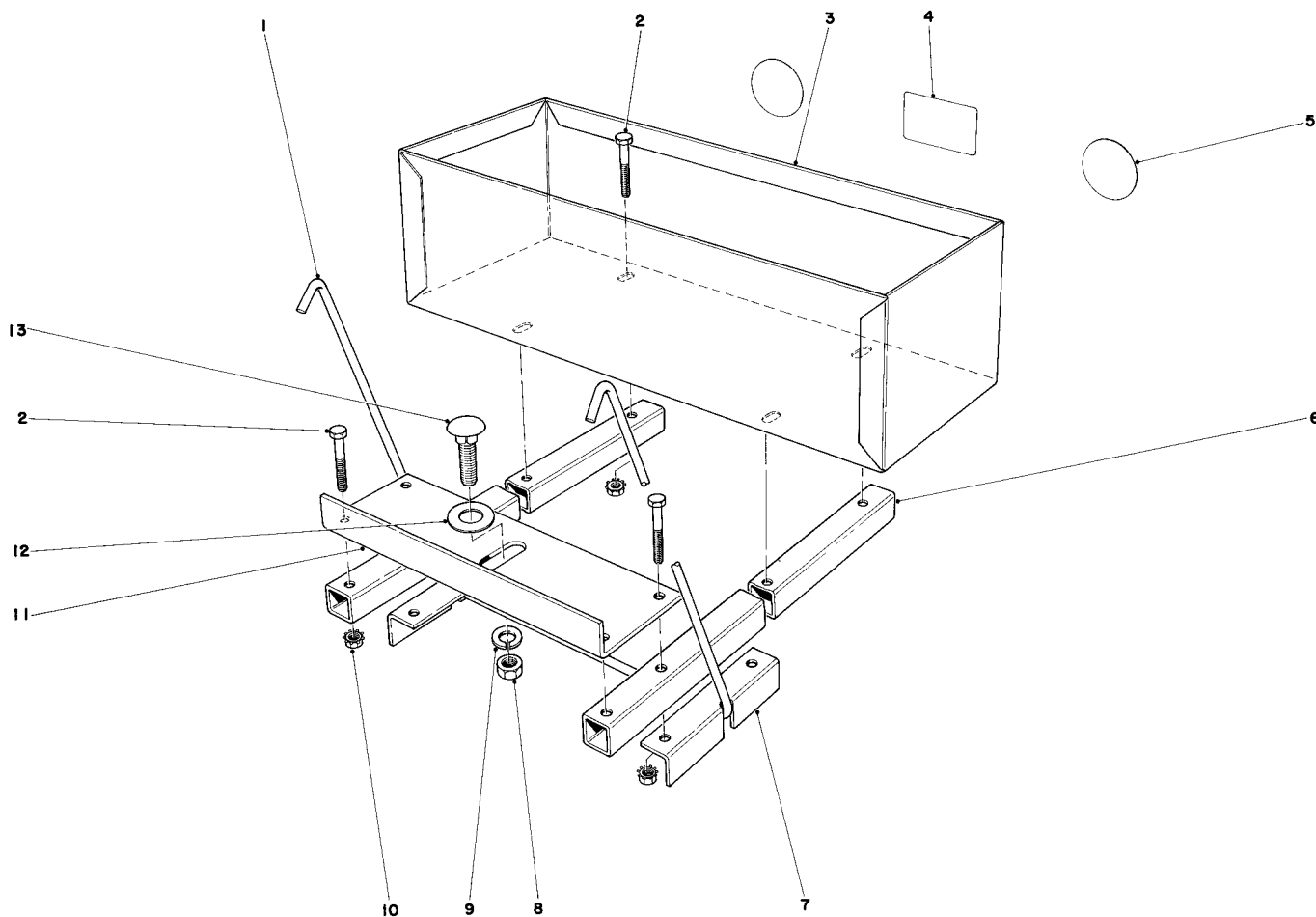


36" SNOWTHROWER ATTACHMENT MODEL NO. 59136 (Continued)

Ref. No.	Part No.	Description	No. Used
1	325-5	Hex Head Capscrew	2
2	3253-7	Lockwasher	2
3	40-0780	Washer -- Auger Shaft	2
4	27-4600	Decal	1
5	40-1400	Header (Incl. Ref. #16 & 23)	1
6	3231-21	Carriage Bolt	1
7	40-1170	Bracket & Tube	1
8	40-1180	Cable & Tube	1
9	40-1160	U-Bolt	1
10	40-1150	Eye Bolt	1
11	40-1190	Shroud -- Stack Drive	1
12	32153-4	Locknut	6
13	3-6916	Washer	6
14	40-1130	Washer	3
15	321-3	Hex Head Capscrew	3
16	29-6350	Decal -- Auger Warning	2
17	40-1060	Deflector (Incl. Ref. #16)	1
18	40-1050	Molding -- Deflector	1
19	40-1070	Deflector Elbow	1
20	40-1040	Hook -- Lift Spring	1
21	321-2	Hex Head Capscrew	2
22	40-1140	Strap -- Friction	1
23	29-6380	Decal -- Hazards Caution	1
24	3256-4	Washer	1

Ref. No.	Part No.	Description	No. Used
25	40-1120	Spring Washer	1
26	32152-2	Locknut	1
27	3231-2	Carriage Bolt	1
28	32149-10	Locknut	2
29	3-5861	Carriage Bolt	6
30	40-0870	Skidshoe	2
31	40-0840	Sprocket -- Auger Drive	1
32	32149-1	Locknut	6
33	40-0790	Bearing -- Auger Shaft	2
34	40-0810	Shaft -- Auger	1
35	40-0820	Plate -- Auger Mounting	1
36	3253-4	Lockwasher	3
37	322-2	Hex Head Capscrew	3
38	40-0850	Auger Assembly	1
39	32104-58	Screw -- Self Tapping	9
40	40-0800	Flangette	1
*	40-0690	Exhaust Pipe Extension	1
*	32140-42	Screw -- Self Tapping (For use with exhaust pipe extension)	1
†	40-0830	Scraper Blade	1
†	3229-22	Carriage Bolt (For use with scraper blade)	7
†	32149-2	Locknut (For use with scraper blade)	7

*Not Illustrated
†Optional Equipment

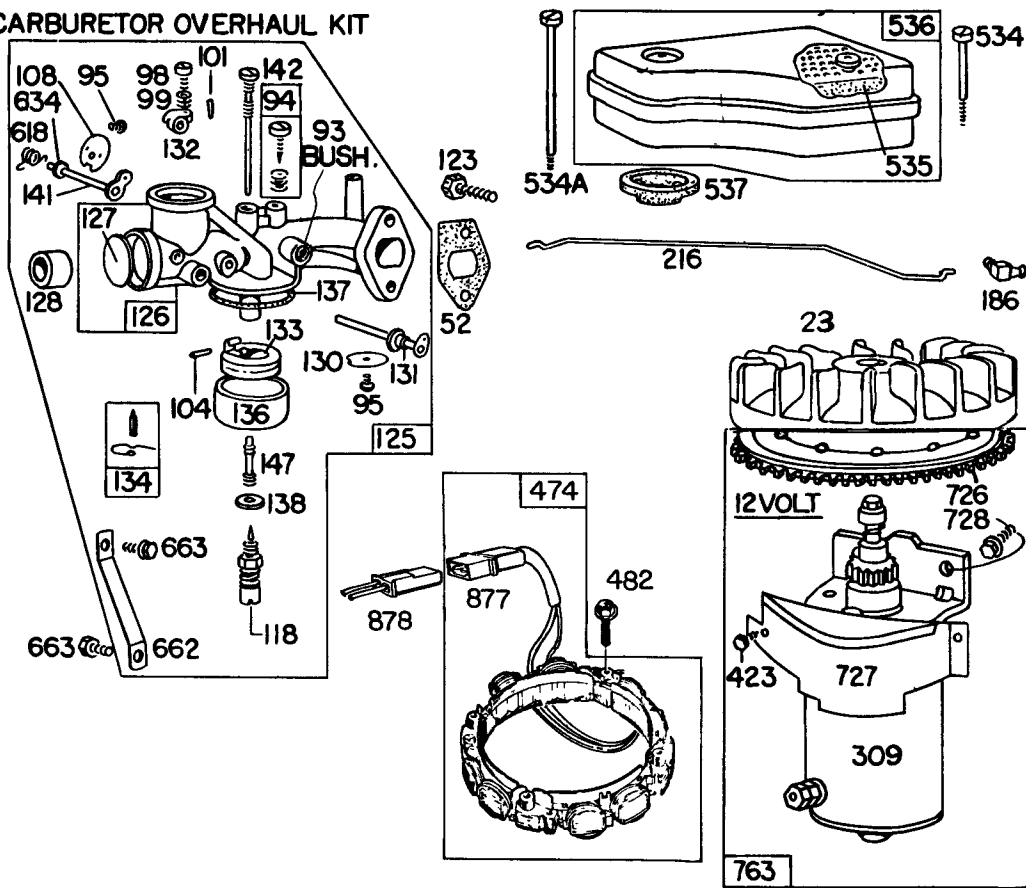


36" SNOWTHROWER WEIGHT BOX ASSEMBLY MODEL NO. 59138

Ref. No.	Part No.	Description	No. Used
1	40-0640	Bracket – Support	1
2	322-9	Hex Head Capscrew	8
3	40-0600	Weight Box	1
4	40-0650	Decal – Weight Box	1
5	40-0590	Reflector	2
6	40-0620	Tube – Mounting	2
7	40-0630	Bracket – Mounting	2

Ref. No.	Part No.	Description	No. Used
8	3217-23	Nut	1
9	3253-7	Lockwasher	1
10	32149-1	Locknut	8
11	40-0610	Bracket – Mounting	1
12	3-1000	Washer	1
13	3233-2	Carriage Bolt	1

121 CARBURETOR OVERHAUL KIT



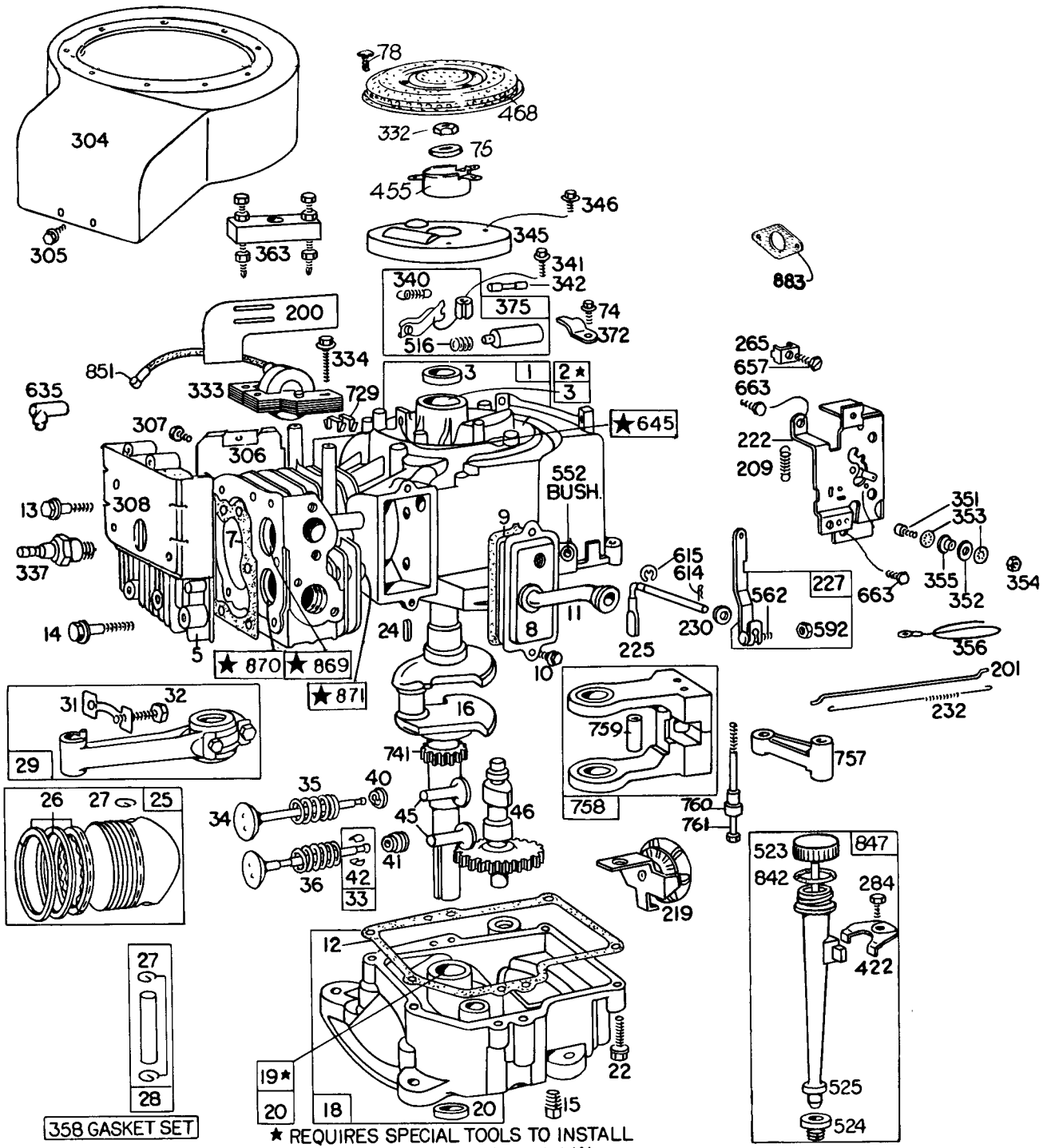
**BRIGGS & STRATTON MODEL 191707-5641-01
(MODEL 57380)**

Ref. No.	Part No.	Description	No. Used
23	391983	Flywheel and Ring Gear Assembly - Magneto for use on engines WITH ALTERNATOR. (Includes aluminum ring gear). For use only with starter motors with Plastic Drive Gear.	1
52	†*270824	Gasket - Carburetor Mounting	1
93	23108	Bushing - Throttle Shaft	1
94	†292681	Valve Assembly - Carburetor Idle	1
95	93499	Screw - Throttle and Choke Valve Mtg. Sem	1
98	91920	Screw - Machine, Fill. Hd. 8-32 x 5/8"	1
99	26157	Spring - Throttle Adjustment	1
101	93043	Pin - Throttle Stop	1
104	†230896	Pin - Float Hinge	1
108	222010	Valve - Choke	1
118	†391233	Valve - Needle	1
121	299852	Carburetor Overhaul Kit	1
123	93357	Screw - Carburetor Mtg.	1
125	390811	Carburetor Assy. (Choke-A-Matic)	1
126	299851	Body Assembly Carburetor	1
127	†221997	Plug - Welch	1
128	211682	Venturi - Carburetor	1
130	221986	Valve - Throttle	1
131	391512	Shaft and Lever - Throttle	1
132	211712	Stop - Throttle	1
133	299707	Float - Carburetor	1
134	†299096	Valve - Fuel Inlet	1
137	†270511	Gasket - Float Bowl	1
138	†222014	Washer - Float Bowl	1
141	390684	Shaft and Lever - Choke	1
142	†299740	Nozzle - Carburetor	1

Ref. No.	Part No.	Description	No. Used	
147	†230932	Screw - Nozzle	1	
186	67218	Connector - Fuel Pipe	1	
216	261117	Link - Choke	1	
309		Motor - Starting (12 Volt) (See Chart for Replacement Parts for Starting Motors on Page 25)	1	
423	93410	Screw - Sem	1	
474	393474	Stator - Alternator (Dual Circuit)	1	
482	93621	Screw - Sem	1	
534	93622	Screw - Air Cleaner	1	
534A	93323	Screw - Air Cleaner	1	
535	270528	Element - Air Cleaner	1	
536	391399	Cleaner Assy. - Air	1	
		Note: Uses: 280111 Support - Air Cleaner Element (Plastic)	1	
	537	270539	Gasket - Air Cleaner	1
	618	261116	Spring - Choke Return	1
	634	270382	Washer - Choke Shaft	1
	662	222027	Bracket - Carburetor	1
	663	93572	Screw	1
	726	392134	Gear - Ring (Aluminum) (Includes Mtg. Parts) For use only with Starter Motors with Plastic Drive Gear	1
	727	390233	Cover and Shield - Starter	1
	728	93523	Screw - Sem	1
	763	391604	Electric Starter Kit - 12 volt (Gear Drive)	1
	877	393456	Diode Connector Assembly	1
	878	393362	Alt. Harness Assembly	1

*Included in Gasket Set - Part No. 299577.
†Included in Carburetor Overhaul Kit - Part No. 299852.

ENGINE BRIGGS & STRATTON MODEL 191707-5641-01 (MODEL 57380)

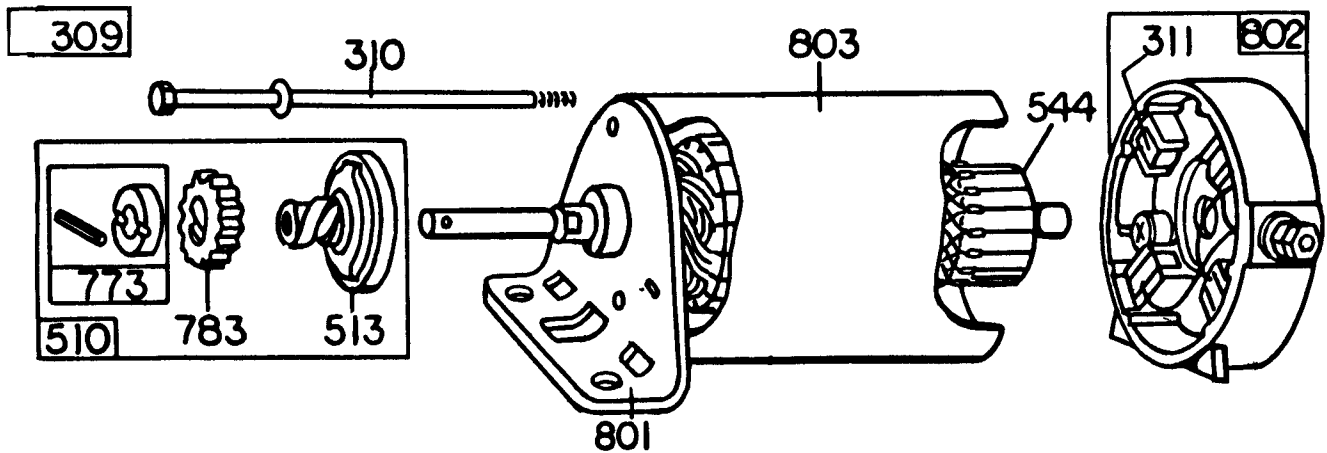


ENGINE BRIGGS & STRATTON MODEL 191707-5641-01 (MODEL 57380)

Ref. No.	Part No.	Description	No. Used
1	392005	Cylinder Assembly	1
2	391726	Bushing - Cylinder Note: Requires Special Tools For Installation	1
3	294606	Seal - Oil	1
5	212286	Head - Cylinder	1
7	*270430	Gasket - Cylinder Head	1
8	391406	Breather Assembly	1
9	*27803	Gasket - Valve Cover	1
10	93536	Screw - Sem	1
11	280005	Tube - Breather	1
12	*27750	Gasket - Crankcase Cover - 1/64" Thick	1
	*27876	Gasket - Crankcase Cover - .005" Thick	1
	*27877	Gasket - Crankcase Cover - .009" Thick	1
13	93211	Screw - Cylinder Head (2-21/32" Long)	1
	93776	Stud - Cylinder Head	1
	22963	Washer	1
14	93723	Screw - Cylinder Head (3" Long) (Required)	1
15	91084	Plug - Oil Drain	1
16	390370	Crankshaft	1
18	298616	Sump - Oil	1
19	295963	Bushing - Oil Sump Note: Requires Special Tools For Installation.	1
20	298423	Seal - Oil	1
22	93585	Screw - Sump Mounting Sem	1
24	61760	Key - Flywheel	1
25	391673	Piston Assy. - Std.	1
	391674	Piston Assy. - .010" O.S.	1
	391675	Piston Assy. - .020" O.S.	1
	391676	Piston Assy. - .030" O.S.	1
		PISTON RING SETS: Note: For Chrome Piston Ring Set - Standard Size - Order No. 299743.	
26	391669	Ring Set - Piston - Std.	1
	391670	Ring Set - Piston - .010" O.S.	1
	391671	Ring Set - Piston - .020" O.S.	1
	391672	Ring Set - Piston - .030" O.S.	1
27	68546	Lock - Piston Pin	1
28	295840	Piston Assembly - Piston - Std.	1
	295841	Pin Assy. - Piston - .005" O.S.	1
29	390402	Rod Assy. - Connecting Note: For Connecting Rod with .020" Undersize Crankpin Bore - Order No. 390773	1
31	222114	Lock - Conn. Rod Screw	1
32	92659	Screw - Conn. Rod	1
33	390419	Valve - Exhaust	1
34	261055	Valve - Intake	1
35	65906	Spring - Intake Valve	1
36	26828	Spring - Exhaust Valve	1
40	221596	Retainer - Intake Valve	1
41	292260	Rotocoil - Exhaust Valve	1
42	93630	Retainer - Exhaust Valve Rotocoil	2
45	260933	Tappet - Valve	1
46	211689	Gear - Cam	1
74	93042	Screw - Sem	1
75	220865	Washer - Spring	1
78	93805	Screw - Sem	1
200	221760	Guide - Air	1
201	260971	Link - Governor	1
209	261306	Spring - Governor	1
219	392718	Oil Slinger, Gov. Gear and Bracket Assembly	1
222	390662	Plate - Gov. Control	1
225	231058	Crank - Governor (1/4" Dia.)	1

Ref. No.	Part No.	Description	No. Used
227	391733	Lever Assy. - Governor For 1/4" Dia.)	1
230	222450	Washer - Gov. Lever (1/4" I.D.)	1
232	260584	Spring - Governor Link	1
265	221535	Clamp - Casing	1
284	93804	Screw - Clamp Mtg.	1
304	391379	Housing - Blower	1
305	93158	Screw - Blower Housing Mounting Sem	1
306	222830	Shield - Cylinder	1
307	93163	Screw - Cylinder Shield Mtg. Sem	1
308	222636	Cover - Cylinder Head	1
332	92284	Nut - Flywheel	1
333	298968	Armature Assembly	1
334	93381	Screw - Armature Mounting Sem	1
337	293918	Plug - Spark (Resistor Type) Note: Spark Plugs Use Ignition Cable Terminal No. 221798.	1
340	26018	Spring - Breaker Arm	1
341	93381	Screw - Breaker Arm Mounting Sem	1
342	65704	Plunger - Breaker Point	1
345	222117	Cover - Breaker Point	1
346	93705	Screw - Sem	1
351	93735	Screw - Terminal	1
352	66068	Washer - Insulating	1
353	92791	Washer - Lock - Shakeproof	3
354	90576	Nut - Hex. - 8-32	2
355	66554	Collar - Insulating	1
356	299500	Wire - Ground	1
358	299577	Gasket Set	1
363	19165	Puller - Flywheel	1
372	220477	Clamp - Condenser	1
375	294628	Breaker Points and Condenser Set Note: 299061 Ignition Kit Includes: Point Set Plunger Key - Flywheel	1
422	222502	Clamp - Oil Filler Tube	1
455	222561	Cup - Screen Mounting	1
468	222562	Screen - Flush Rotating	1
516	260374	Spring - Connector	1
523	391840	Cap & Dipstick - Oil Filler	1
524	68838	Seal - Filler Tube	1
525	280133	Tube - Oil Filler	1
552	231055	Bushing - Gov. Crank (1/4" I.D.)	1
562	92613	Bolt - Governor Lever	1
592	231082	Nut - Hex., 10-24	1
614	93306	Cotter - Hair Pin	1
615	93307	Retainer - E-Ring	1
635	66538	Elbow - Spark Plug	1
645	23513	Bushing - Plunger	1
657	93496	Screw - Sem	1
663	93572	Screw	1
729	221907	Clip - Wire	1
741	261195	Gear - Timing	1
757	212359	Link - Counterweight	1
758	390172	Counterweight Assembly	1
759	298909	Pin - Counterweight	1
760	230940	Spacer - Counterweight	1
761	93874	Screw - Counterweight	1
842	270920	Seal - Filler Cap	1
847	392066	Filler Group - Oil	1
851	221798	Terminal - Ignition Cable	1
869	211661	Seat - Intake Valve (Std.)	1
870	211661	Seat - Exhaust Valve (Std.)	1
871	230655	Guide - Exhaust Valve	1
883	270918	Gasket - Exhaust Pipe	1

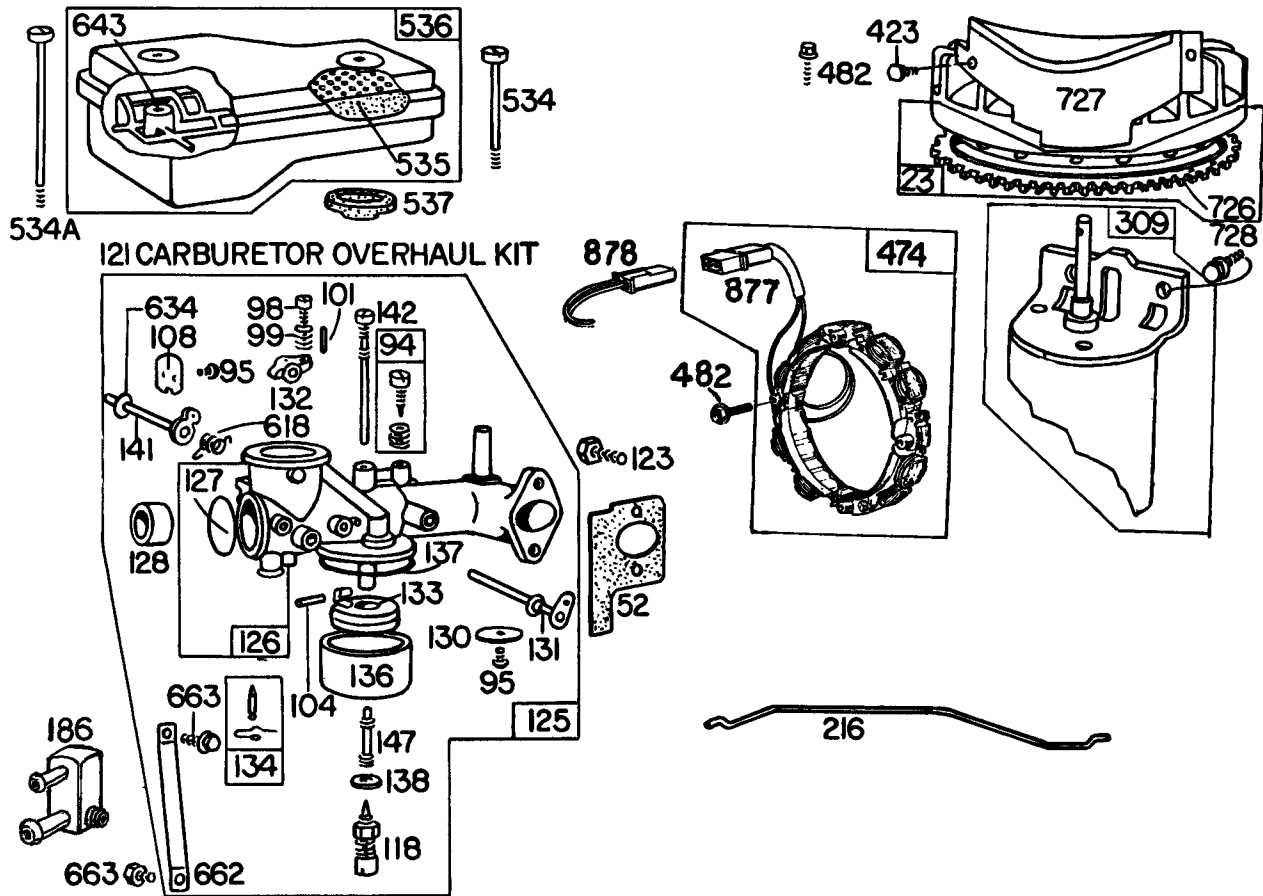
*Included in Gasket Set - Part No. 299577.



**BRIGGS & STRATTON MODEL 191707-5641-01
(MODEL 57380)**

Ref. No.	Part No.	Description	No. Used
309	392749	Motor and Drive Assy.	1
310	391706	Thru Bolt Assembly	1
311	391705	Brush Assembly	1
510	391461	Drive Assembly	1
513	391135	Clutch Assembly	1
544	390837	Armature Assembly	1

Ref. No.	Part No.	Description	No. Used
773	391462	Retainer and Pin	1
783	280104	Gear	1
801	392061	End Cap Assy. Drive	1
802	390846	End Cap Assy. Commutator	1
803	392744	Housing Assembly	1



ENGINE BRIGGS & STRATTON MODEL 252707-0177-01 (MODEL 57385)

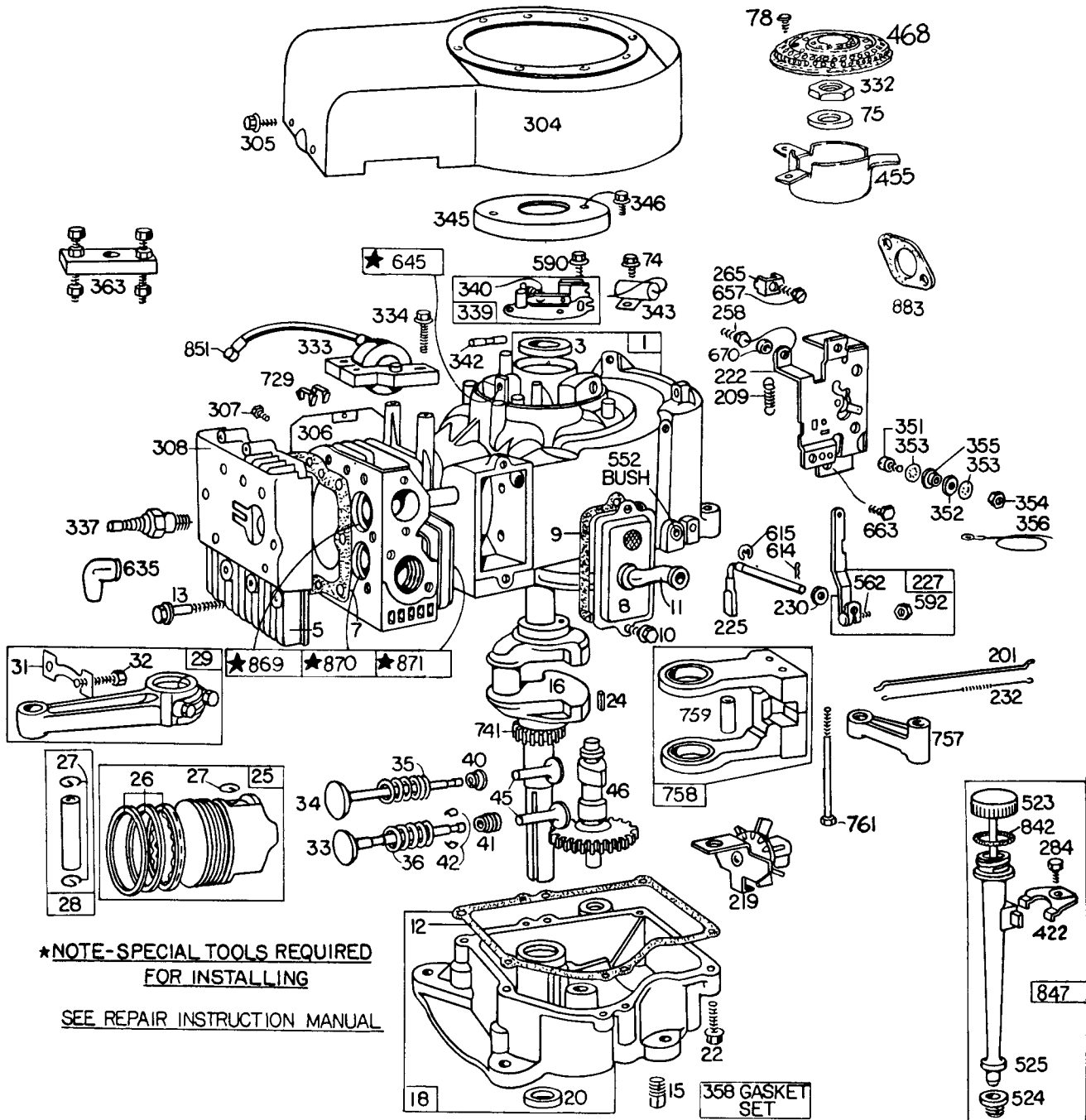
Ref. No.	Part No.	Description	No. Used
23	391988	Flywheel and Ring Gear Assembly - Magneto	1
52	*270872	Gasket - Carburetor Mounting	1
94	†292681	Valve Assembly - Carburetor Idle	1
95	93499	Screw - Throttle and Choke Valve Mtg. Sem	1
98	91920	Screw - Machine, Fill. Hd. 8-32 x 5/8"	1
99	26157	Spring - Throttle Adjustment	1
101	93043	Pin - Throttle Stop	1
104	†230896	Pin - Float Hinge	1
108	222010	Valve Choke	1
118	†391233	Valve - Needle	1
121	299852	Carburetor Overhaul Kit	1
123	93357	Screw - Carburetor Mtg.	1
125	393410	Carburetor Assembly (Choke-A-Matic)	1
126	391787	Body Assembly Carburetor	1
127	†221997	Plug - Welch	1
128	211960	Venturi - Carburetor	1
130	222858	Valve - Throttle	1
131	391512	Shaft and Lever - Throttle	1
132	211712	Stop - Throttle	1
133	299707	Float - Carburetor	1
134	†299096	Valve - Fuel Inlet	1
136	221995	Bowl - Float	1
137	†270511	Gasket - Float Bowl	1
138	†222014	Washer - Float Bowl	1
141	390684	Shaft and Lever - Choke	1

Ref. No.	Part No.	Description	No. Used
142	†299740	Nozzle - Carburetor	1
147	†230932	Screw - Nozzle	1
186	212327	Fuel Pipe Connector (Is supplied by equipment manufacturer)	1
216	261274	Link - Choke	1
309	309	Motor - Starting (12 Volt) See chart on page 29 for replacement parts for Starting Motors.	1
423	93410	Screw - Sem	1
474	393474	Stator - Alternator	1
482	93621	Screw - Sem	1
534	93622	Screw - Air Cleaner	1
534A	93323	Screw - Air Cleaner	1
535	270843	Element - Air Cleaner	1
536	391786	Cleaner Assembly - Air	1
537	270853	Gasket - Air Cleaner	1
618	261116	Spring - Choke Return	1
634	270382	Washer - Choke Shaft	1
643	280118	Support - Air Cleaner Element	1
662	222311	Bracket - Carburetor	1
663	93572	Screw	1
726	392134	Gear - Ring (Includes Mounting Parts)	1
727	390233	Cover and Shield - Starter	1
728	93523	Screw - Sem	1
877	393456	Diode and Connector Assy.	1
878	393362	Alternator Harness Assy.	1

* Included in Gasket Set - Part No. 393411.

† Included in Carburetor Overhaul Kit - Part No. 299852.

BRIGGS & STRATTON MODEL 252707-0177-01 (MODEL 57385)

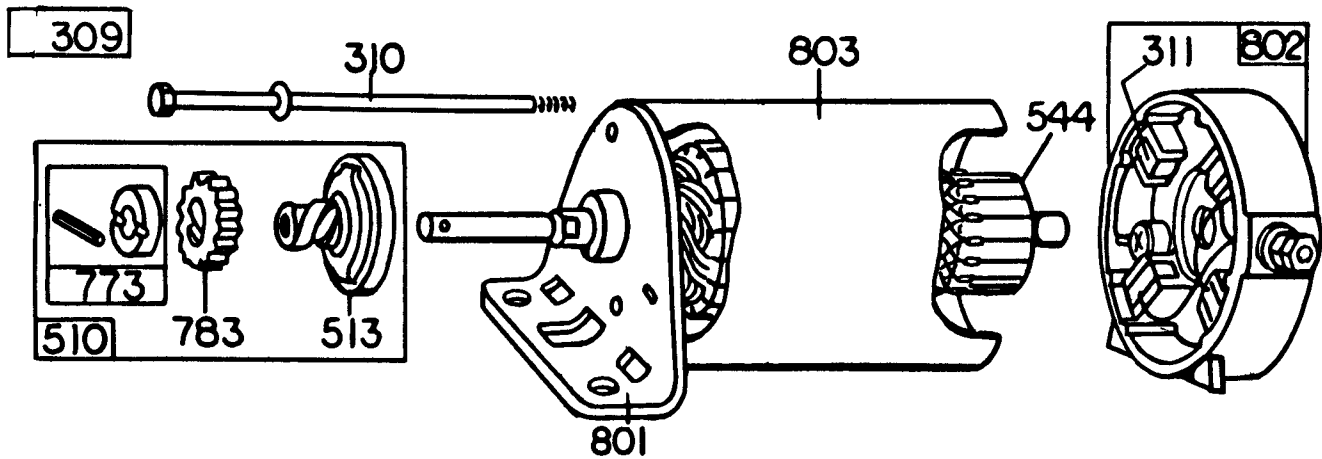


ENGINE BRIGGS & STRATTON MODEL 252707-0177-01 (MODEL 57385)

Ref. No.	Part No.	Description	No. Used
1	393409	Cylinder Assembly	1
3	391086	Seal - Oil	1
5	212300	Head - Cylinder	1
7	*271075	Gasket - Cylinder Head	1
8	391406	Breather Assembly	1
9	*27803	Gasket - Valve Cover	1
10	93394	Screw - Sem	1
11	280100	Tube - Breather	1
12	*270808	Gasket - Crankcase Cover - 1/64" Thick	1
	*270915	Gasket - Crankcase Cover - .005" Thick	1
	*270916	Gasket - Crankcase Cover - .009" Thick	1
13	93723	Screw - Cylinder Head (3" Long) Note: 93781 Stud - Cylinder Head 22963 Washer	1 2 2
15	91084	Plug - Oil Drain	1
16	391265	Crankshaft	1
18	391784	Sump - Oil	1
20	291675	Seal - Oil	1
22	93585	Screw - Sump Mounting Sem	1
24	61760	Key - Flywheel	1
25	391285	Piston Assy. - Standard	1
	391287	Piston Assy. - .010" O.S.	1
	391288	Piston Assy. - .020" O.S.	1
	391289	Piston Assy. - .030" O.S.	1
		PISTON RING SETS:	
26	391780	Ring Set - Piston - Std.	1
	391781	Ring Set - Piston - .010" O.S.	1
	391782	Ring Set - Piston - .020" O.S.	1
	391783	Ring Set - Piston - .030" O.S.	1
27	260924	Lock - Piston Pin	1
28	299691	Pin Assembly - Piston - Standard	1
	391286	Pin Assembly - Piston - .005" O.S.	1
29	391775	Rod Assy. - Connecting	1
31	222299	Lock - Conn. Rod Screw	1
32	92909	Screw - Conn. Rod	1
33	261185	Valve - Exhaust	1
34	261462	Valve - Intake	1
35	65906	Spring - Intake Valve	1
36	26828	Spring - Exhaust Valve	1
40	221596	Retainer - Intake Valve	1
41	292260	Rotocoil - Exhaust Valve	1
42	93630	Retainer - Exhaust Valve Rotocoil	2
45	261183	Tappet - Valve	1
46	212296	Gear - Cam	1
74	93042	Screw - Sem	1
75	220865	Washer - Spring	1
78	93808	Screw - Sem	1
201	261198	Link - Governor	1
209	261306	Spring - Governor	1
219	391764	Oil Slinger, Gov. Gear and Bracket Assembly	1
222	390662	Plate - Gov. Control	1
225	231058	Crank - Governor (1/4" Dia.)	1
227	391733	Lever Assy. - Governor (For 1/4" Dia. Crank)	1
230	222450	Washer - Gov. Crank (1/4" I.D.)	1
232	261197	Spring - Governor Link	1

Ref. No.	Part No.	Description	No. Used
258	93686	Screw - Control Bracket Mounting	1
265	221535	Clamp - Casing	1
284	93804	Screw - Clamp Mtg.	1
304	391556	Housing - Blower	1
305	93158	Screw - Blower Housing Mounting Sem	1
306	222744	Shield - Cylinder	1
307	93163	Screw - Cylinder Shield Mtg. Sem	1
308	222725	Cover - Cylinder Head	1
332	92284	Nut - Hex.	1
333	298968	Armature Assembly	1
334	93381	Screw - Armature Mounting Sem	1
337	293918	Plug - Spark (1-1/2" High - 37-42 M.M.)(Resistor Type) Note: Spark Plugs Use Ignition Cable Terminal No. 221798.	1
339	391284	Breaker Assy. - Ignition	1
340	26018	Spring - Breaker Arm	1
342	65704	Plunger - Breaker Point	1
343	391792	Condenser	1
345	222309	Cover - Breaker Point	1
346	93014	Screw - Sem	1
351	93735	Screw - Terminal	1
352	66068	Washer - Insulating	1
353	92791	Washer - Lock - Shakeproof	1
354	90576	Nut - Hex. - 8-32	2
355	66554	Collar - Insulating	1
356	391602	Wire - Ground	1
358	393411	Gasket Set	1
363	19203	Puller - Flywheel	1
422	222502	Clamp - Oil Filler Tube	1
455	222561	Cup - Screen Mounting	1
468	222562	Screen - Flush Rotating	1
523	391841	Cap and Dipstick - - Oil Filler	1
524	68838	Seal - Filler Tube	1
525	280134	Tube - Oil Filler	1
552	231055	Bushing - Gov. Crank (1/4" I.D.)	1
562	92613	Bolt - Governor Lever	1
590	93226	Screw - Breaker Adjusting Sem	1
592	231082	Nut - Hex., 10-24	1
614	93306	Cotter - Hair Pin	1
615	93307	Retainer - E-Ring	1
635	66538	Elbow - Spark Plug	1
645	23513	Bushing - Plunger	1
657	93496	Screw - Sem	1
663	93572	Screw	1
670	231039	Spacer - Control Bracket Mounting	1
729	221907	Clip - Wire	1
741	261196	Gear - Timing	1
757	211675	Link - Counterweight	1
758	391373	Counterweight Assy.	1
759	298909	Pin - Counterweight	1
761	93875	Screw - Counterweight	1
842	270920	Seal - Oil Filler Cap	1
847	392067	Fill Group - Oil	1
851	221798	Terminal - Ignition Cable	1
869	261463	Seat - Intake Valve (Standard)	1
870	210940	Seat - Exhaust Valve (Std.)	1
871	230881	Guide - Exhaust Valve	1
883	270917	Gasket - Exhaust Pipe	1

*Included in Gasket Set - Part No. 393411.



**BRIGGS & STRATTON MODEL 252707-0177-01
(MODEL 57385)**

Ref. No.	Part No.	Description	No. Used
309	393499	Motor and Drive Assy.	1
310	391790	Thru Bolt Assembly	1
311	391791	Brush Assembly	1
510	391461	Drive Assembly	1
513	391135	Clutch Assembly	1
544	391160	Armature Assembly	1

Ref. No.	Part No.	Description	No. Used
773	391462	Retainer and Pin	1
783	280104	Gear	1
801	392061	End Cap Assy. Drive	1
802	391172	End Cap Assy. Commutator	1
803	391167	Housing Assembly	1

The Toro Promise

A ONE YEAR LIMITED WARRANTY

The Toro Company promises to repair any TORO Product if defective in materials or workmanship. The following time periods from the date of purchase apply:

Residential Product 1 Year
Residential Products Used Commercially . . . 45 Days

The costs of parts and labor are included, but the customer pays the transportation costs. Just return any residential product to an Authorized TORO Service Dealer or TORO Distributor.

Should you feel your TORO Product is defective and wish to rely on The Toro Promise, the following procedure is recommended:

1. Contact any Authorized TORO Service Dealer, TORO Master Service Dealer, or TORO Distributor (the Yellow Pages of your telephone directory is a good reference source).
2. He will either instruct you to return the product to him or recommend another Authorized TORO Service outlet which might be more convenient.
3. Bring the product along with your original sales slip, or other evidence of purchase date, to the service dealer.
4. The servicing dealer will inspect the unit, advise you whether the product is defective and, if so, make all repairs necessary to correct the defect without extra charge to you.

If for any reason you are dissatisfied with the dealer's analysis of the defect or the service performed, you may contact us.

Write:
TORO Consumer Service Department
8111 Lyndale Avenue South
Minneapolis, Minnesota 55420

The above remedy of product defects through repair by an Authorized TORO Service Dealer is the purchaser's sole remedy for any defect.

THERE IS NO OTHER EXPRESS WARRANTY. ALL IMPLIED WARRANTIES OF MERCHANTABILITY AND FITNESS FOR USE ARE LIMITED TO THE DURATION OF THE EXPRESS WARRANTY.

Some states do not allow limitations on how long an implied warranty lasts, so the above limitation may not apply to you.

This warranty applies only to parts or components which are defective and does not cover repairs necessary due to normal wear, misuse, accidents, or lack of proper maintenance. Regular, routine maintenance of the unit to keep it in proper operating condition is the responsibility of the owner.

All warranty repairs reimbursable under The Toro Promise must be performed by an Authorized TORO Service Dealer using Toro approved replacement parts.

Repairs or attempted repairs by anyone other than an Authorized TORO Service Account are not reimbursable under The Toro Promise. In addition, these unauthorized repair attempts may result in additional malfunctions, the correction of which is not covered by warranty.

THE TORO COMPANY IS NOT LIABLE FOR INDIRECT, INCIDENTAL OR CONSEQUENTIAL DAMAGES IN CONNECTION WITH THE USE OF THE PRODUCT INCLUDING ANY COST OR EXPENSE OF PROVIDING SUBSTITUTE EQUIPMENT OR SERVICE DURING PERIODS OF MALFUNCTION OR NON-USE.

Some states do not allow the exclusion or limitation of incidental or consequential damages, so the above limitation or exclusion may not apply to you.

This warranty gives you specific legal rights, and you may also have other rights which vary from state to state.

COUNTRIES OTHER THAN THE UNITED STATES OR CANADA

Customers who have purchased TORO products exported from the United States or Canada should contact their TORO Distributor (Dealer) to obtain guarantee policies for your country, province or state. If for any reason you are dissatisfied with your Distributor's service or have difficulty obtaining guarantee information, contact

the TORO importer. If all other remedies fail, you may contact us at The Toro Company.

International Group
Service Department
One Corporate Center
7401 Metro Boulevard
Minneapolis, Minnesota 55435 U.S.A.

