



Radiator Screen Kit

Greensmaster 3200/3250-D

Part No. 105-9766

Form No. 3327-777

Installation Instructions

1. Release latches and remove the radiator screen from radiator (Fig. 1).

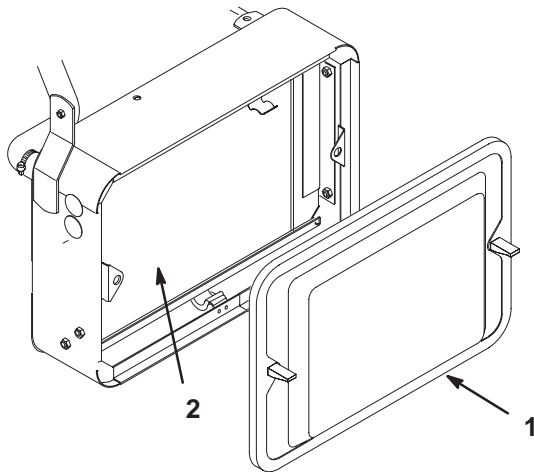


Figure 1

1. Radiator screen
2. Radiator

2. With handles in open (unlatched position), insert latch rods thru holes (both walls) of new radiator screen assembly (Fig. 2).
3. Secure each rod to assembly with a bushing and nut (Fig. 2).
4. Mount radiator screen to radiator and secure latches.

Note: If latches do not hold screen firmly in place, adjust nuts to increase expansion of bushings when handles are engaged.

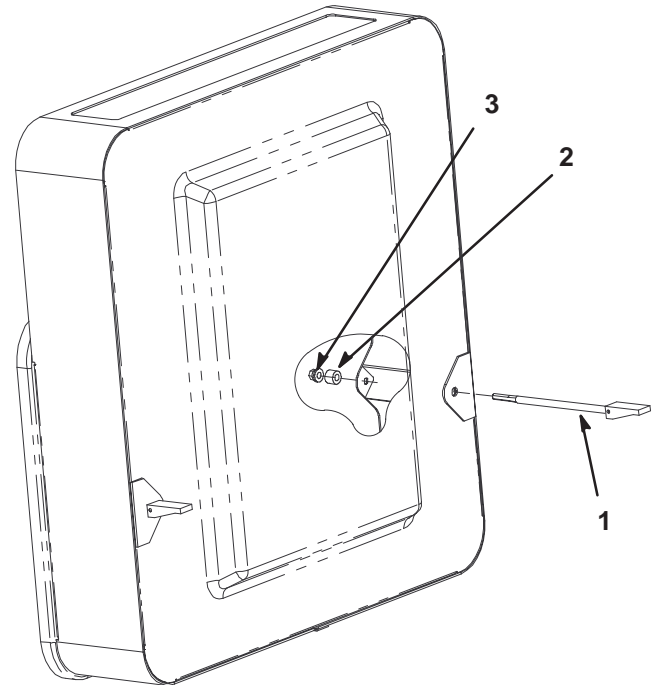


Figure 2

1. Latch rod
2. Bushing
3. Nut