



Z200

Z Master[®] with 52in SFS Side Discharge Mower

Model No. 74233—22000001 and Up

Parts Catalog

Ordering Replacement Parts

To order replacement parts, please supply: the part number, the quantity, and the description of each part desired.

Understanding Reference Numbers

Each identified part in an illustration has a reference number. The reference number for a part also appears in the parts list, along with other information about the part.

This catalog uses two special reference number formats, one to indicate parts in a service assembly and another to indicate the quantity of a given part in an illustration.

Service Assembly Reference Numbers

Parts in service assemblies have reference numbers in the form **a:b**. The **a** represents the reference number of the entire service assembly and the **b** represents a sequential number unique to each part within the service assembly.

For example, a wheel assembly might be identified by reference number **6**, the tire by **6:1**, the valve by **6:2**, and the wheel by **6:3**. When you order the assembly identified by reference number **6**, you receive all parts identified by reference numbers **6:1**, **6:2**, and **6:3**. However, you may also order any part individually.

Reference numbers of this type appear in illustrations and in part lists.

Reference Numbers Indicating Quantity

In an illustration, if a reference number indicates more than one part, the reference number has the form **nX y**. The **n** represents the quantity of the part, the **X** is the multiplication symbol, and the **y** represents the reference number.

For example, in an illustration, the reference number **2X 37** means that two of the parts identified by reference number **37** are indicated.

Contents

Description	Page	Description	Page
Front Frame Assembly	4	Group 3 – Oil Pan/Lubrication Assembly	
Caster and Wheel Assembly	5	Kohler CH20S-64670	24
Main Frame Assembly	6	Group 4 – Head/Valve/Breather Assembly	
Brake and Wheel Hub Assembly	7	Kohler CH20S-64670	25
Steering Control Assembly	8	Group 4 – Head/Valve/Breather Assembly	
Hydraulic System Assembly	9	(Continued)	
Seat Assembly	11	Kohler CH20S-64670	26
Deck Connection Assembly	12	Group 5 – Ignition/Electrical Assembly	
Drive Idler Assembly	13	Kohler CH20S-64670	27
Engine and Clutch Assembly	14	Group 6 – Blower Housing Assembly	
Guard Assembly	15	Kohler CH20S-64670	28
Fuel System Assembly	16	Group 7 – Starter Assembly	
Electrical System Assembly	17	Kohler CH20S-64670	29
Deck, Deflector and Roller Assembly	18	Group 8 – Fuel System Assembly	
Spindle and Pulley Assembly	19	Kohler CH20S-64670	30
Belt and Idler Arm Assembly	20	Group 9 – Engine Control Assembly	
Electrical Schematic	21	Kohler CH20S-64670	31
Group 1 – Crankshaft Assembly		Group 10 – Air Intake/Filtration Assembly	
Kohler CH20S-64670	22	Kohler CH20S-64670	32
Group 2 – Crankcase Assembly		Group 11 – Exhaust Assembly	
Kohler CH20S-64670	23	Kohler CH20S-64670	33

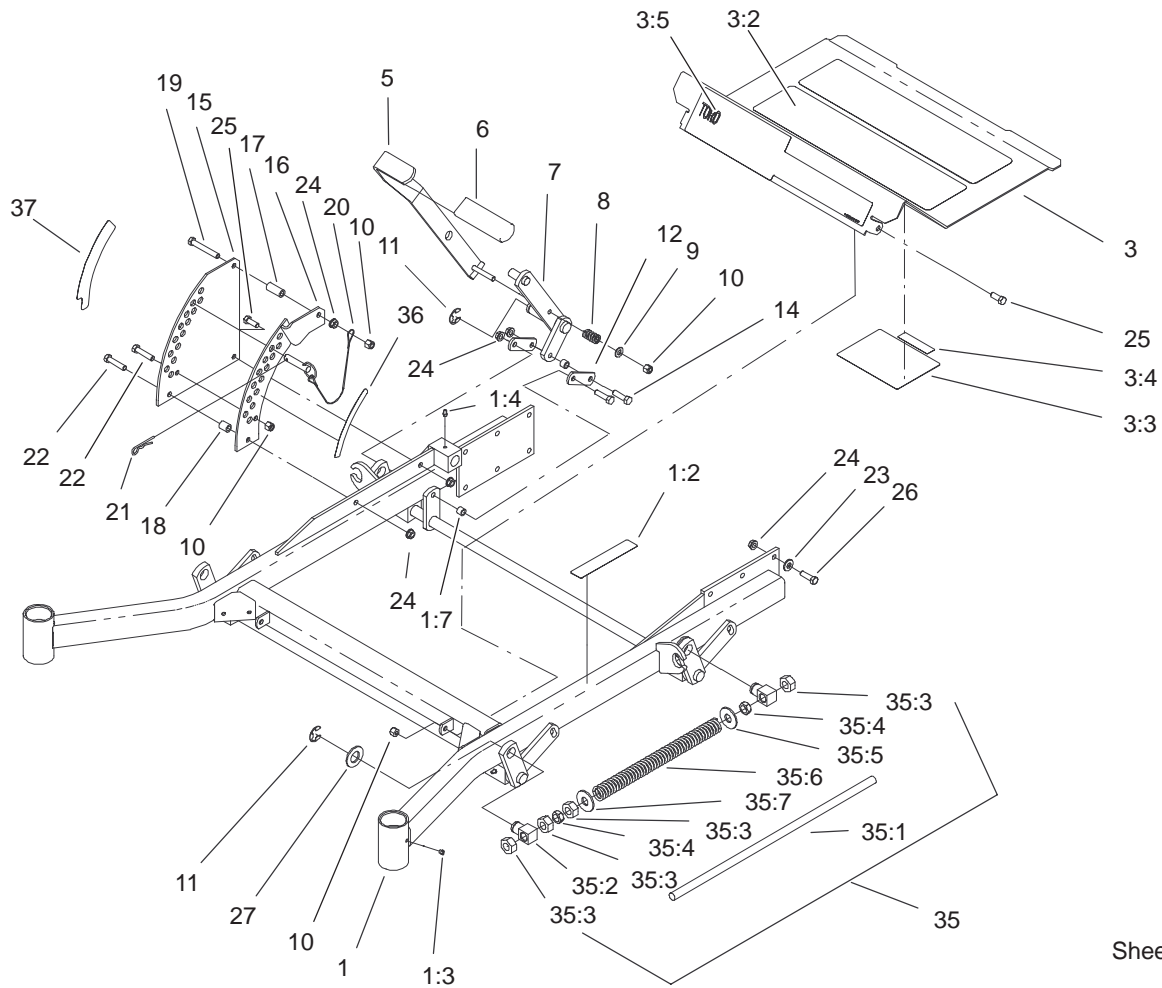
Accessories

Description	Model / Part No.	Description	Model / Part No.
Suspension Seat Kit	99-8522	Hitch Kit	99-8925
Deck Lift Assist Kit	100-4336	Mulching Kit	59227
Atomic Blade Assembly	104-1301	Spark Arrestor Kit	105-1672
Striping Kit	30121	Filter Minder	99-4664
Recycler Kit	59225	Stand Kit	105-1622

Part Description Abbreviations

Part descriptions in this catalog may include the following abbreviations.

Abbreviation	Meaning	Abbreviation	Meaning
AR	as required	HYD	hydraulic
ASM	assembly	INC	incorporated
CARR	carriage	LH	left hand
DEG	degrees	NI	nylon insert
FH	flat head	PPH	Phillips pan head
GA	gauge	PTH	Phillips truss head
HF	hex flange	PTO	power take off
HH	hex head	RH	right hand
HHF	hex head flange	SFH	slotted fillister head
HLH	hex lag head	SHH	slotted hex head
HJ	hex jam	SQH	square head
HOC	height-of-cut	SHWH	slotted hex washer head
HS	hex socket	SPH	slotted pan head
HSBH	hex socket button head	SRH	slotted round head
HSFH	hex socket flat head	STD	standard
HSH	hex socket head	TAP	self tapping
HWH	hex washer head	TTH	Torx truss head
HWHTF	hex washer head thread forming	WH	wing head



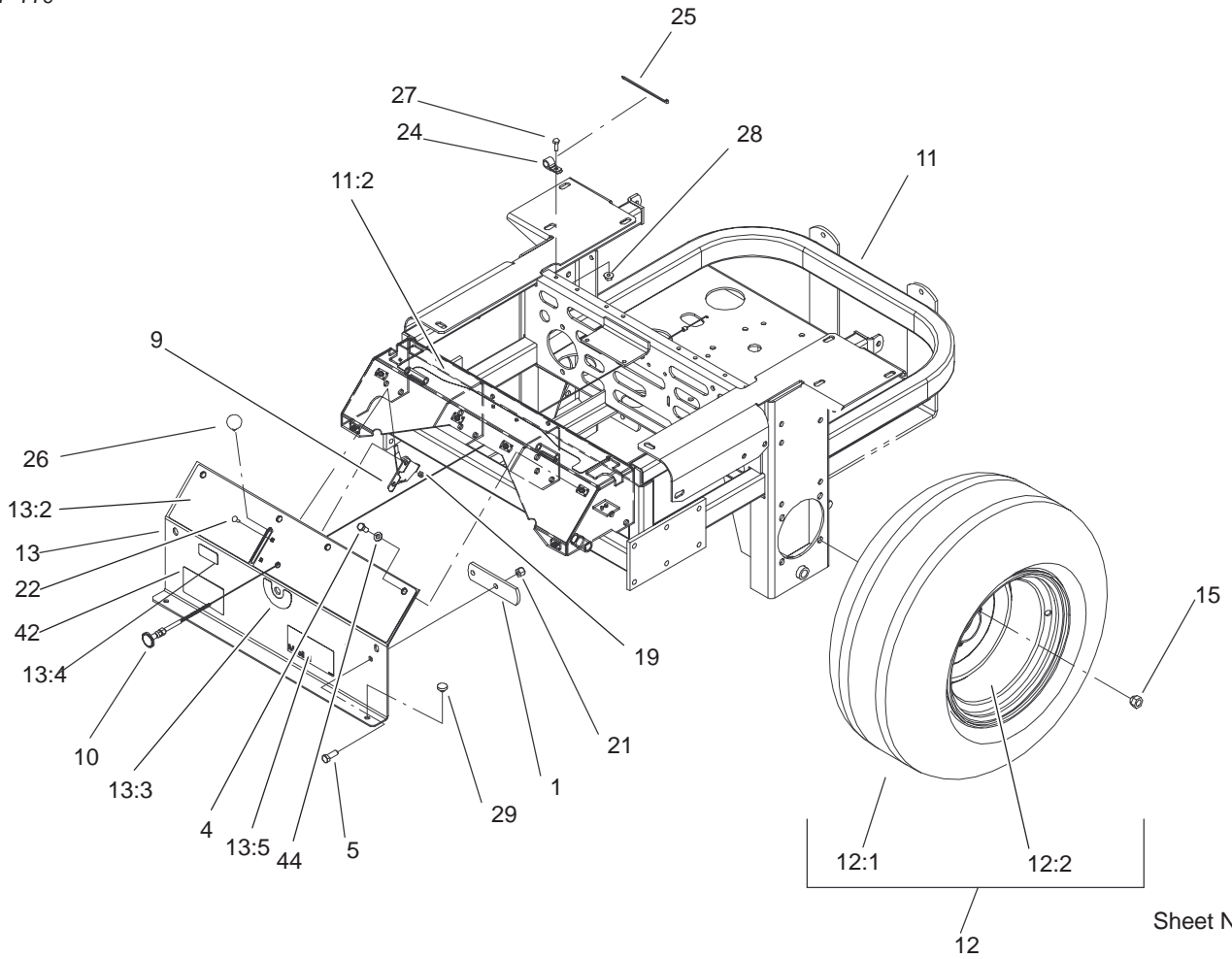
Sheet No.: 2

Front Frame Assembly

Ref. No.	Part No.	Qty.	Description
1	105-3186	1	Frame ASM
1:2	1-633818	1	Decal-Warning
1:3	1-811010	2	Plug
1:4	302-19	5	Fitting-Grease
1:7	103-1918	1	Bushing
3	100-6509	1	Floorpan ASM
3:2	1-633553	3	Pad-Antiskid
3:3	1-633766	1	Decal-Check
3:4	98-5954	1	Decal-Missing, Cover
3:5	1-633737	1	Decal-Z-Master
5	103-2083-03	1	Lever-Lift
6	1-633295	1	Grip-Lever, Lift
7	103-2064-03	1	Arm-Lift, Deck
8	1-633325	1	Spring-Compression
9	3256-24	1	Washer-Flat
10	3296-39	5	Nut-Lock, NI
11	32151-103	5	Ring-Snap
12	1-633068	2	Arm-Lift, Deck
14	323-29	2	Screw-HH
15	1-633889-01	1	Plate-Lift, Deck
16	1-632899-01	1	Plate-Lift, Deck
17	1-633082	1	Bushing-Lever, Lift
18	1-633080	1	Bushing-Lever, Lift
19	323-13	1	Screw-HH
20	1-633097	1	Pin-Hitch W/Lanyard
21	1-806005	1	Pin-Hair

Ref. No.	Part No.	Qty.	Description
22	323-9	2	Screw-HH
23	98-5975	12	Washer-Belleville
24	3290-357	17	Nut-HHF
25	323-6	3	Screw-HH
26	323-7	12	Screw-HH
27	3256-29	4	Washer-Flat
☆35		2	Spring ASM
35:1	1-633096	1	Rod-Lift, Deck
35:2	1-633441	2	Swivel-Deck Mount, Rear
35:3	3217-11	4	Nut-Hex
35:4	3218-6	2	Nut-Jam
35:5	3256-7	1	Washer-Flat
35:6	1-653009	1	Spring-Compression
35:7	3256-27	1	Washer-Flat
36	1-633706	1	Decal-Height, Deck
37	1-633345	1	Decal-Height, Deck

☆ Not serviced separately

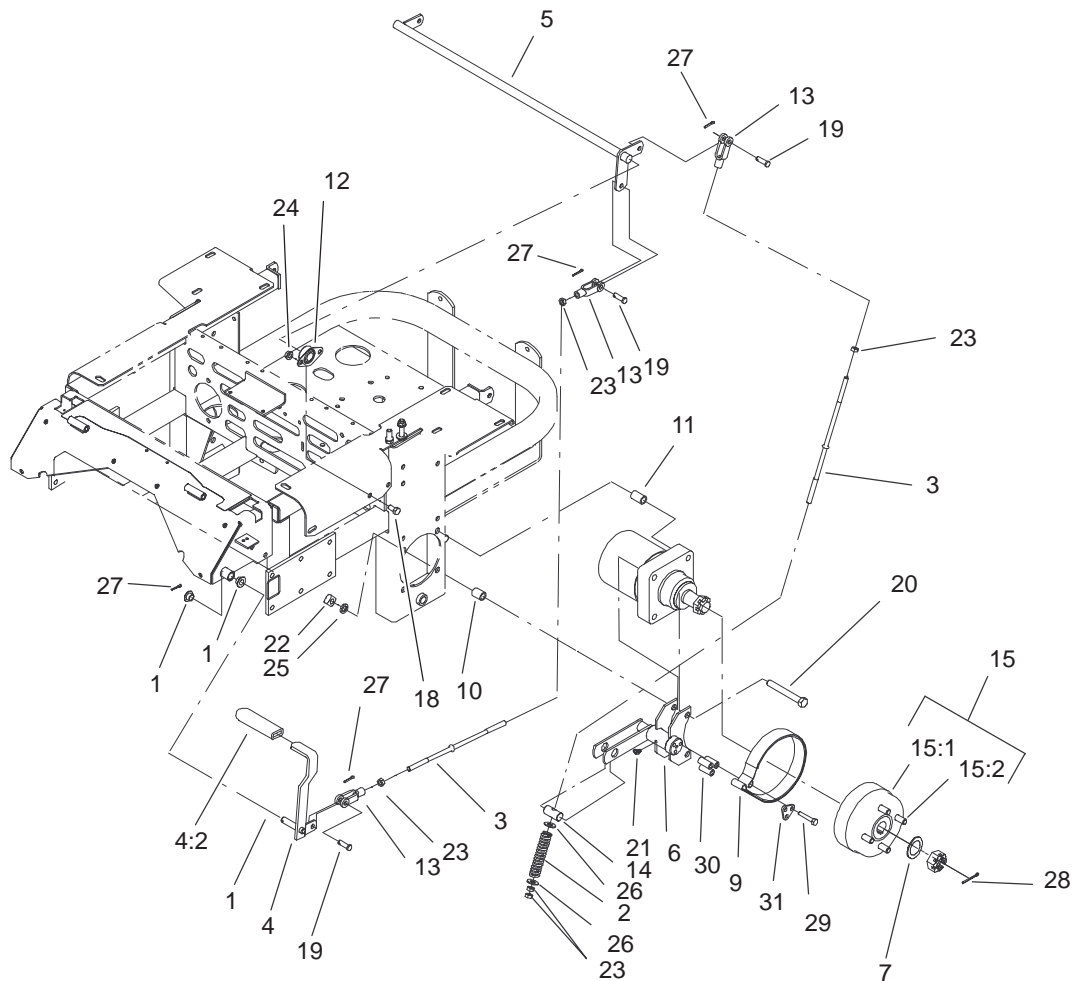


Sheet No.: 4

Main Frame Assembly

Ref. No.	Part No.	Qty.	Description
1	1-633964-03	1	Stop-Brake, Park
4	322-3	6	Screw-HH
5	323-6	2	Screw-HH
9	1-633696	1	Cable-Throttle
10	1-603336	1	Control-Choke
11	105-6120	1	Rear Frame ASM
11:2	103-2433	1	Decal, Top Console
12	1-653010	2	Wheel & Tire ASM
12:1	1-653160	1	Tire
12:2	1-653158	1	Wheel
13	99-4623	1	Console ASM
13:2	100-4311	1	Decal-Panel, Control
13:3	103-0262	1	Decal-Valve, Fuel
13:4	98-4387	1	Decal-Protection, Ear
13:5	104-8172	1	Decal-Mobil 1
15	242-50	8	Nut-Lug
19	3296-2	2	Nut-Lock
21	3296-39	2	Nut-Lock, NI
22	1-807513	2	Bolt-CARR
24	1-513762	1	Clip-Loom
25	1-303335	1	Tie-Plastic
26	1-513592	1	Knob-Ball
27	321-4	1	Screw-HH
28	32128-33	1	Nut-HF
29	1-513658	2	Bumper-Catcher, Grass

Ref. No.	Part No.	Qty.	Description
42	105-3185	1	Decal-Z 200
44	3256-23	6	Washer-Flat

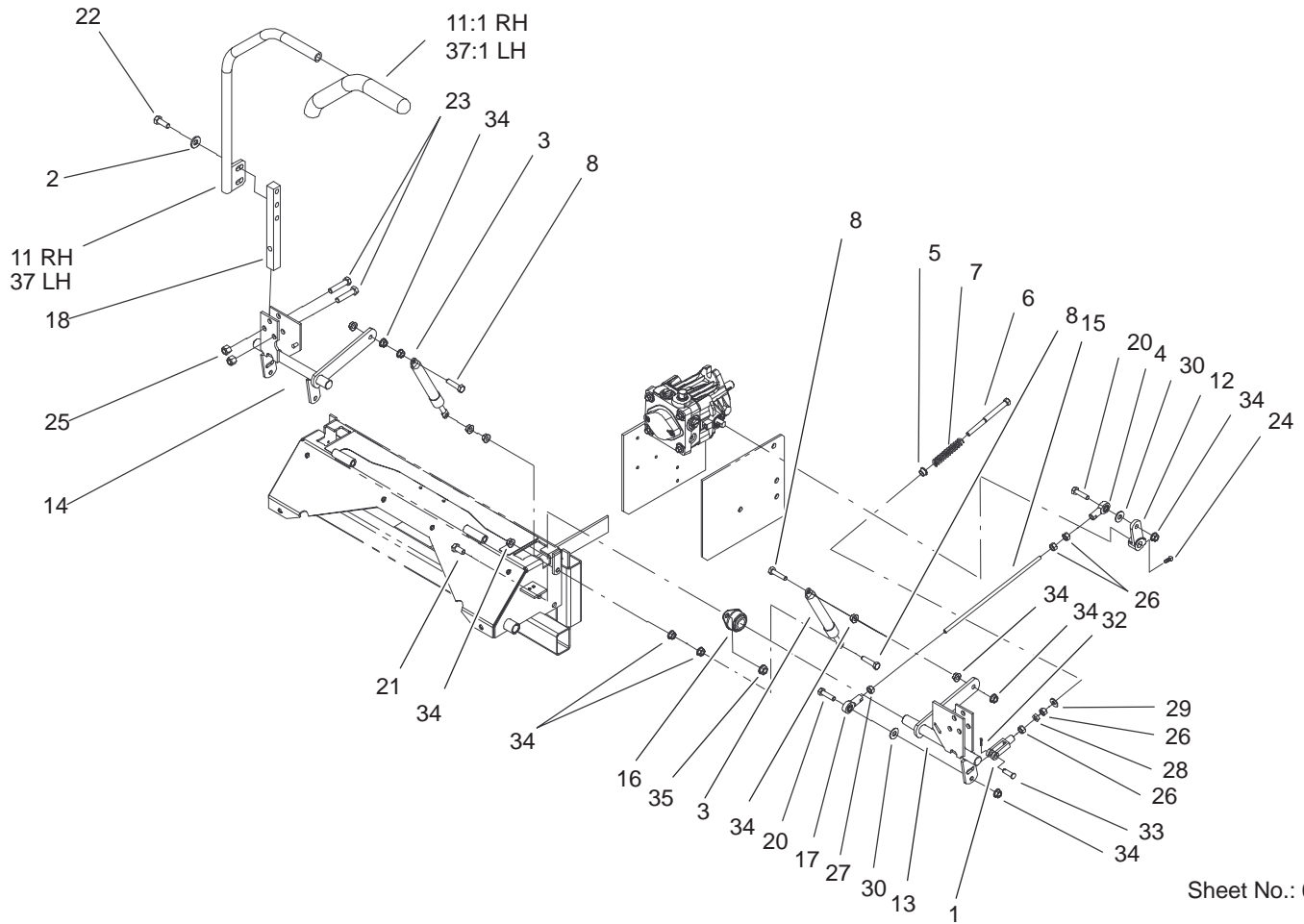


Sheet No.: 5

Brake and Wheel Hub Assembly

Ref. No.	Part No.	Qty.	Description
1	1-513140	2	Bearing-Control
2	1-633454	2	Spring-Brake
3	1-633477	3	Rod-Brake
4	1-634500	1	Brake Lever ASM
4:2	1-633268	1	Grip-Lever, Brake
5	1-632217-03	1	Shaft-Brake
6	103-0352-03	2	Bracket-Brake
7	1-523157	2	Washer-Spacer
9	103-0355	2	Band-Brake
10	1-633380	4	Spacer-Wheel, Short
11	1-633382	4	Spacer-Wheel, Long
12	1-633102	2	Bearing-Flange, Side
13	1-633131	4	Yoke-Linkage, Brake
14	1-633144	2	Pin-Trunion
15	103-0590	2	Hub-Wheel
15:1	103-0589	1	Hub-Wheel
15:2	1-633926	4	Stud-Wheel
18	323-4	4	Screw-HH
19	1-808285	4	Pin-Clevis
20	325-17	8	Screw-HH
21	1481	2	Fitting-Grease
22	103-0131	8	Nut-Square
23	3219-3	8	Nut-HH
24	3290-357	4	Nut-HHF
25	3253-7	8	Washer-Lock
26	3256-4	4	Washer-Flat

Ref. No.	Part No.	Qty.	Description
27	3272-10	7	Pin-Cotter
28	1-806800	2	Pin-Cotter
29	322-9	6	Screw-HH
30	103-0384	6	Spacer
31	103-0374	2	Retainer-Band, Brake

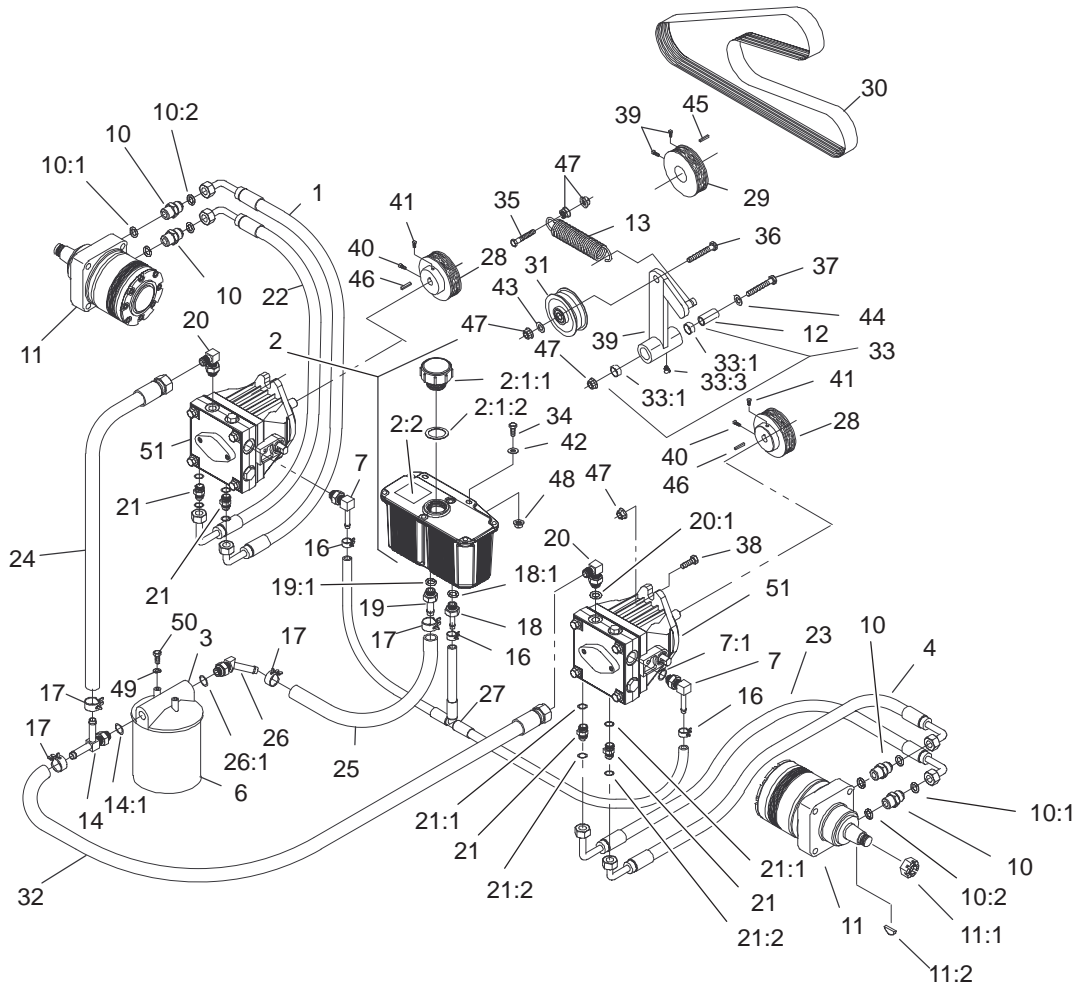


Sheet No.: 6

Steering Control Assembly

Ref. No.	Part No.	Qty.	Description
1	1-303105	2	Yoke-Adjustable
2	98-5975	4	Washer-Belleville
3	1-523027	2	Damper-Control
4	1-543017	2	Balljoint-RH
5	1-603735	2	Bushing-Flanged
6	1-603737	2	Bolt-Return, Neutral
7	1-603807	2	Spring-Return, Neutral
8	1-403180	4	Screw-HH
11	103-0632	1	RH Lever ASM
11:1	1-633257	1	Grip-Control, Motion
12	1-632208	2	Arm-Control, Pump
13	1-642319	1	Control-Motion, LH
14	1-642320	1	Control-Motion, RH
15	1-633153	2	Linkage-Pump/Lever
16	1-633102	4	Bearing-Flange, Side
17	1-633152	2	Balljoint-Thread, LH
18	103-0407	2	Arm-Shaft, Control
20	322-6	4	Screw-HH
21	323-4	8	Screw-HH
22	323-6	4	Screw-HH
23	323-9	6	Screw-HH
24	1-803022	2	Screw
25	3296-39	6	Nut-Lock, NI
26	3219-2	10	Nut-Hex
27	1-804524	2	Nut

Ref. No.	Part No.	Qty.	Description
28	3220-2	2	Nut
29	3256-2	2	Washer-Flat
30	3256-3	4	Washer-Flat
32	3272-5	2	Pin-Cotter
33	1-808280	2	Pin-Clevis
34	32128-20	16	Nut-HF
35	3290-357	8	Nut-HHF
37	103-0631	1	LH Lever ASM
37:1	1-633257	1	Grip-Control, Motion



Sheet No.: 7

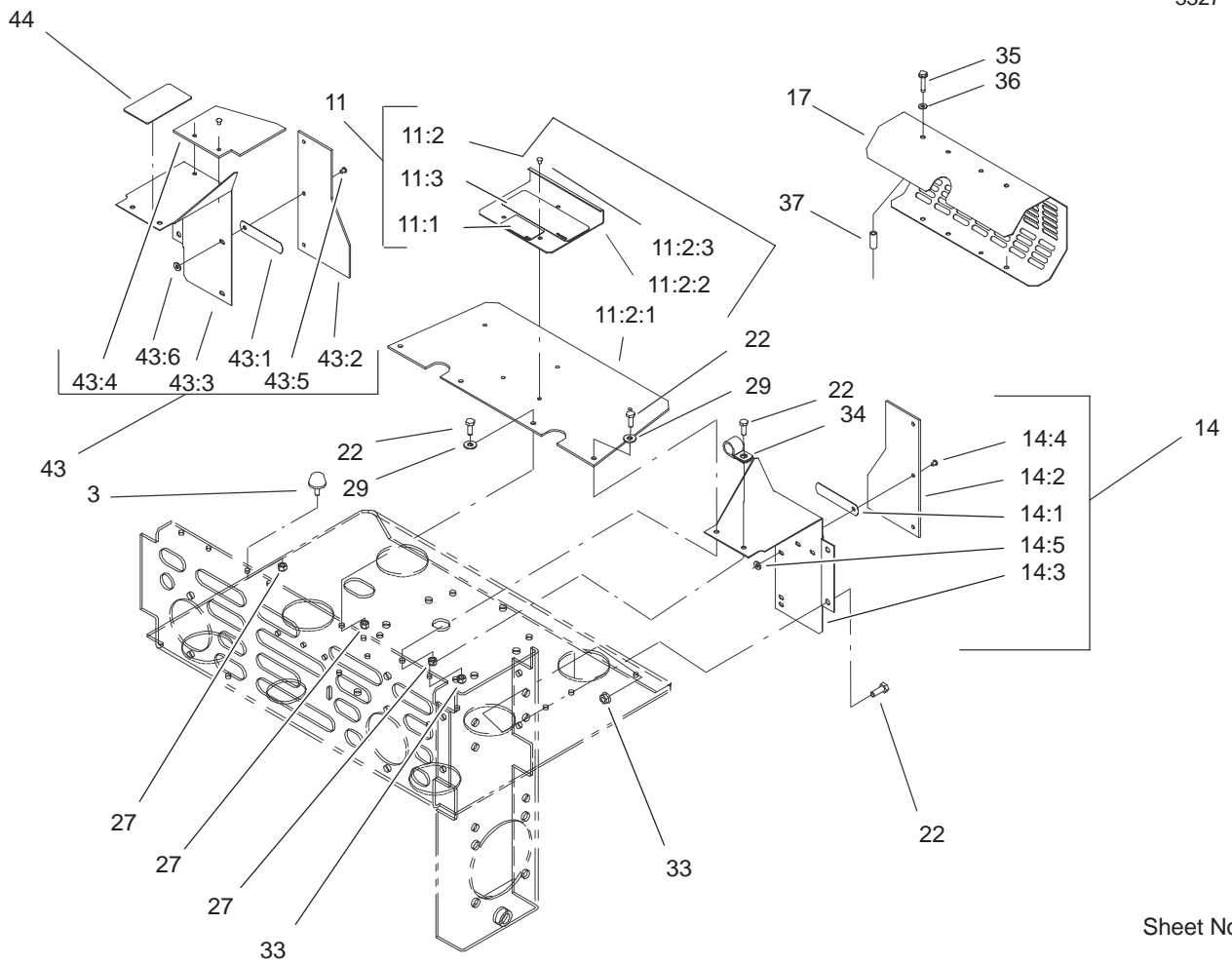
Hydraulic System Assembly

Ref. No.	Part No.	Qty.	Description
1	103-1764	1	Upper RH Hose ASM
2	103-1947	1	HYD Reservoir ASM
☆2:1		1	Reservoir-HYD
2:1:1	103-1948	1	Cap-HYD Reservoir
2:1:2	103-1949	1	Gasket-Cap
2:2	1-523552	1	Decal-Tank, Hydraulic
3	104-7836	1	Head-Filter
4	103-1682	1	Upper LH Hose ASM
6	1-633752	1	Filter-HYD, Winter
6	1-633750	1	Filter-HYD
7	103-1799	2	Elbow-90°
7:1	237-42	1	O-Ring
10	1-603991	4	Fitting-Straight
10:1	237-80	1	O-Ring
10:2	1-603992	1	O-Ring
11	1-523328	2	Motor-Wheel
11:1	1-809036	1	Nut-HH
11:2	3257-42	1	Key-Woodruff
*11:99	1-000099	1	Kit-Seal
*11:99	1-000139	1	Kit-Bearing
*11:99	103-2748	1	Kit-Link, Drive
12	1-603384	1	Bushing-Pivot, Idler
13	1-633151	1	Spring-Extension
14	103-1828	1	Adapter-Run, Tee
14:1	237-42	1	O-Ring
16	103-1716	3	Clamp-Hose

Ref. No.	Part No.	Qty.	Description
17	103-1988	4	Clamp-Hose
18	103-1801	1	Adapter-Straight
18:1	237-42	1	O-Ring
19	103-1912	1	Adapter-Straight
19:1	237-42	1	O-Ring
20	103-1802	2	Elbow-90°
20:1	237-42	1	O-Ring
21	1-603990	4	Fitting-Straight
21:1	237-79	1	O-Ring
21:2	1-603992	1	O-Ring
22	103-1765	1	Lower RH Hose ASM
23	103-1683	1	Lower LH Hose ASM
24	103-1826	1	HYD Hose ASM
25	103-1808	1	Hose-HYD
26	103-1807	1	Elbow-45°
26:1	237-42	1	O-Ring
27	103-1806	1	HYD Hose ASM
28	1-633568	2	Sheave
29	1-633567	1	Sheave
30	1-633749	1	Belt-Drive, Pump
31	1-633167	1	Sheave-Idler
32	103-1827	1	HYD Hose ASM
33	1-634277	1	Bearing Arm ASM
33:1	1-513034	2	Sleeve-Bearing
33:3	302-40	1	Fitting-Grease
34	321-6	2	Screw-HH

☆ Not serviced separately

* Not illustrated

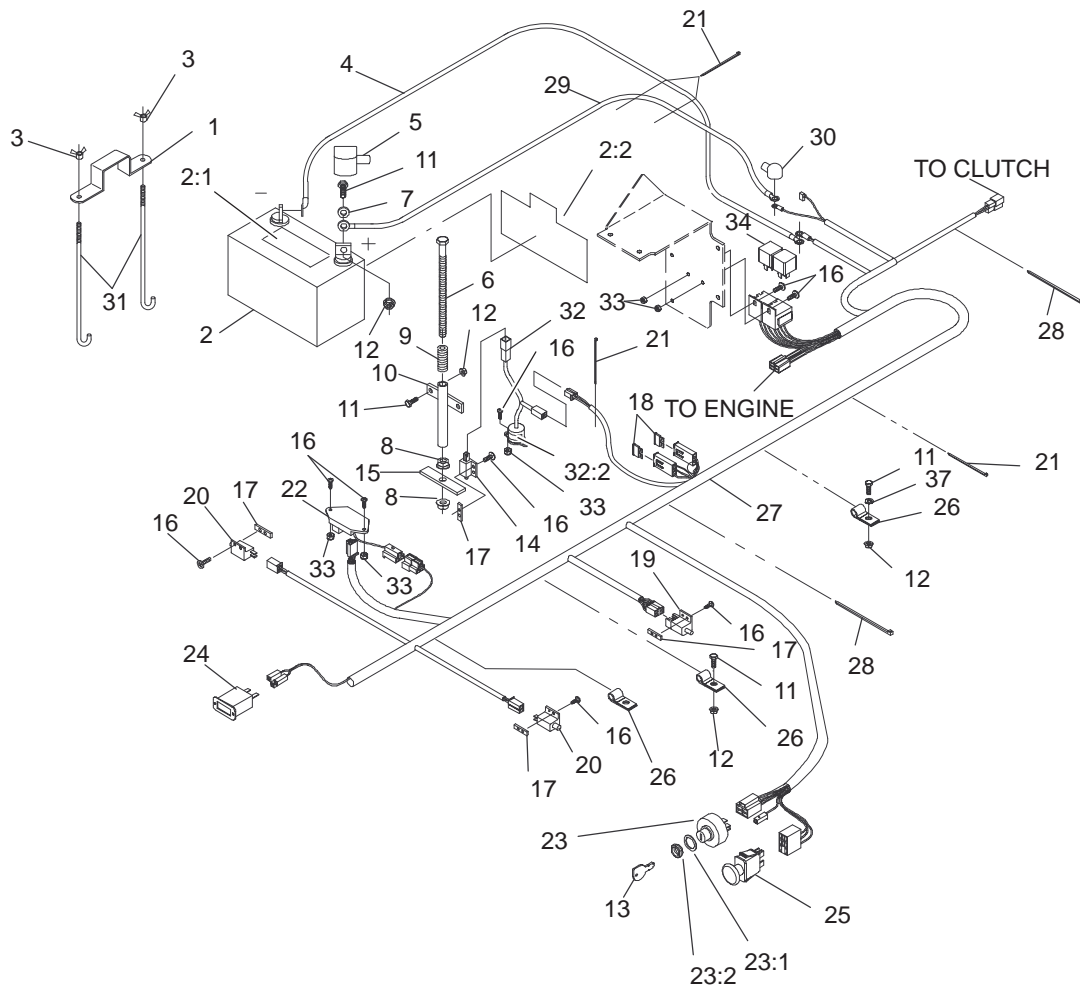


Sheet No.: 13

Guard Assembly

Ref. No.	Part No.	Qty.	Description
3	1-523420	2	Bumper
11	1-644276	1	Shield ASM
11:1	1-633462	1	Decal-Important
11:2	1-634308	1	Shield/Lift ASM
11:2:1	103-1308	1	Shield-Engine
11:2:2	1-633300-03	1	Lift-Shield
11:2:3	1-803035	3	Rivet-Pop
11:3	103-0368	1	Decal-Devices, Rotating
14	1-634796	1	LH Shield ASM
14:1	1-523285	1	Clip-Baffle, Rear
14:2	1-633301	1	Shield-Engine
14:3	1-633795-03	1	Baffle-Engine Shield, LH
14:4	1-803035	3	Rivet-Pop
14:5	3256-63	3	Washer-Flat
17	1-643313-03	1	Guard-Muffler
22	321-4	10	Screw-HH
27	3296-42	6	Nut-Lock, NI
29	3256-2	4	Washer-Flat
33	32128-33	5	Nut-HF
34	1-633396	1	Clip-Loom
35	1-809076	2	Screw
36	1-323235	2	Washer-Spring
37	1-323236	2	Spacer
43	1-644316	1	RH Shield ASM

Ref. No.	Part No.	Qty.	Description
43:1	1-523285	1	Clip-Baffle, Rear
43:2	1-633301	1	Shield-Engine
43:3	1-633794-03	1	Baffle-Engine Shield, RH
43:4	1-643315	1	Baffle-Cooler, Engine
43:5	1-803035	5	Rivet-Pop
43:6	3256-63	5	Washer-Flat
44	1-643339	1	Decal-Routing, Belt

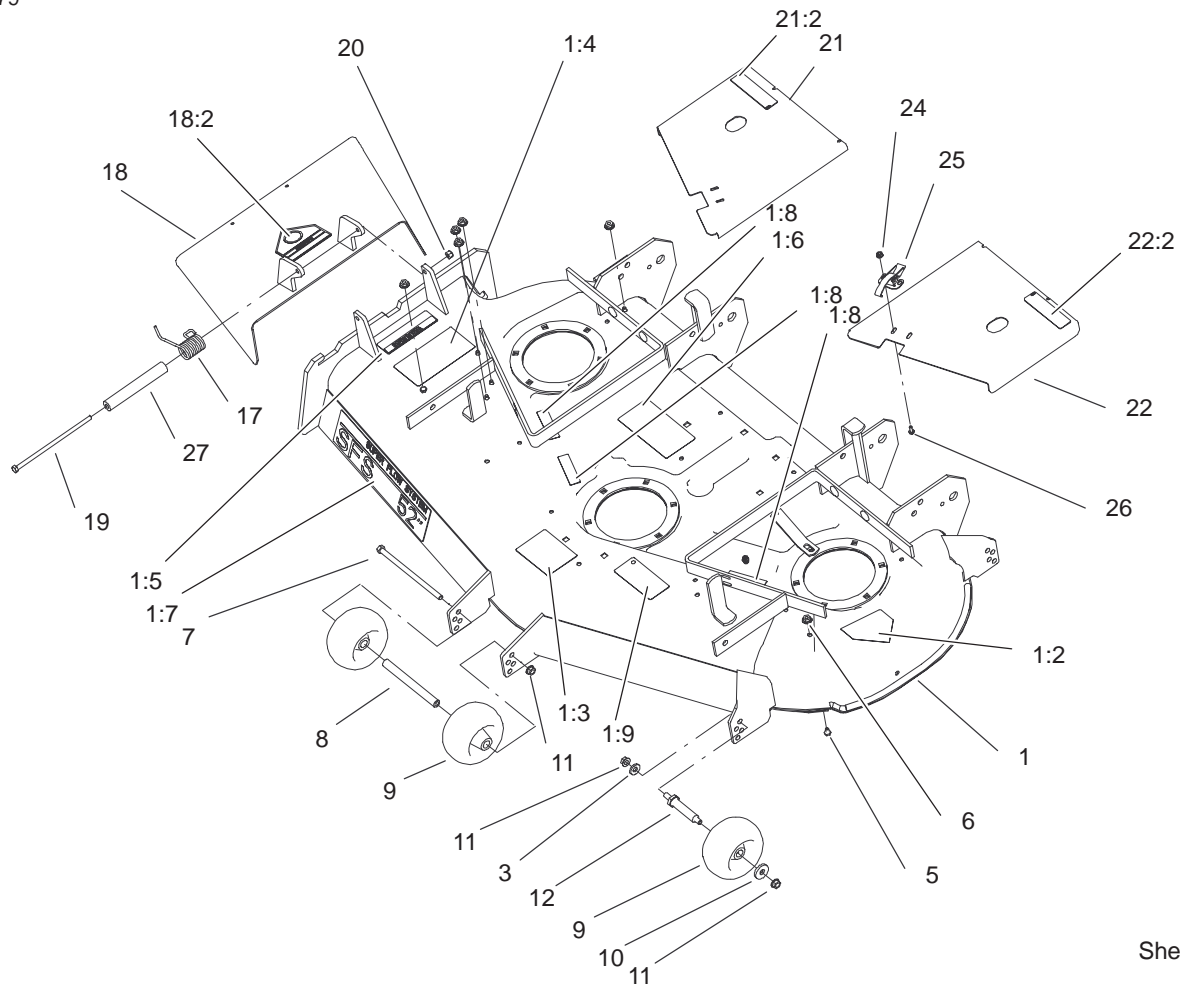


Sheet No.: 27

Electrical System Assembly

Ref. No.	Part No.	Qty.	Description
1	1-633652-03	1	Strap-Holddown, Battery
2	105-1692	1	Battery
2:1	104-4163	1	Decal-Battery
2:2	104-4164	1	Decal-Battery
3	1-543792	2	Wingnut
4	1-633307	1	Wire-Ground
5	1-543391	1	Insulator-Battery
6	1-800282	1	Screw-HH
7	3256-2	2	Washer-Flat
8	32128-20	2	Nut-HF
9	1-523415	1	Spring-Switch, Seat
10	1-522424-03	1	Mount-Spring, Seat
11	321-4	6	Screw-HH
12	32128-33	6	Nut-HF
13	63-8360	2	Key-Ignition
14	1-513152	1	Switch-Closed, Normally
15	1-513180	1	Plate-Switch, Seat
16	3290-500	14	Screw-PPH
17	1-633181	4	Plate-Tapped
18	1-816001	2	Fuse-Type, Blade
19	1-633111	1	Switch
20	1-513051	2	Switch-Open, Normally
21	1-303287	5	Tie-Plastic

Ref. No.	Part No.	Qty.	Description
22	100-6186	1	Module-Delay, Seat
23	88-9830	1	Key Switch ASM
23:1	3254-5	1	Washer-Lock, Internal
23:2	218-461	1	Nut-HH
24	1-513374	1	Meter-Hour
25	1-633673	1	Switch-Delta
26	1-633396	3	Clip-Loom
27	100-4340	1	Harness-Wire
28	1-303335	2	Tie-Plastic
29	1-523281	1	Wire-Starter
30	1-543393	1	Insulator-Solenoid
31	1-633651	2	Bolt-Holddown
32	1-644427	1	Tilt Switch ASM
32:2	1-643401	1	Decal-Switch, Mercury
33	3296-2	6	Nut-Lock
34	1-643275	2	Relay
37	3256-22	1	Washer-Flat

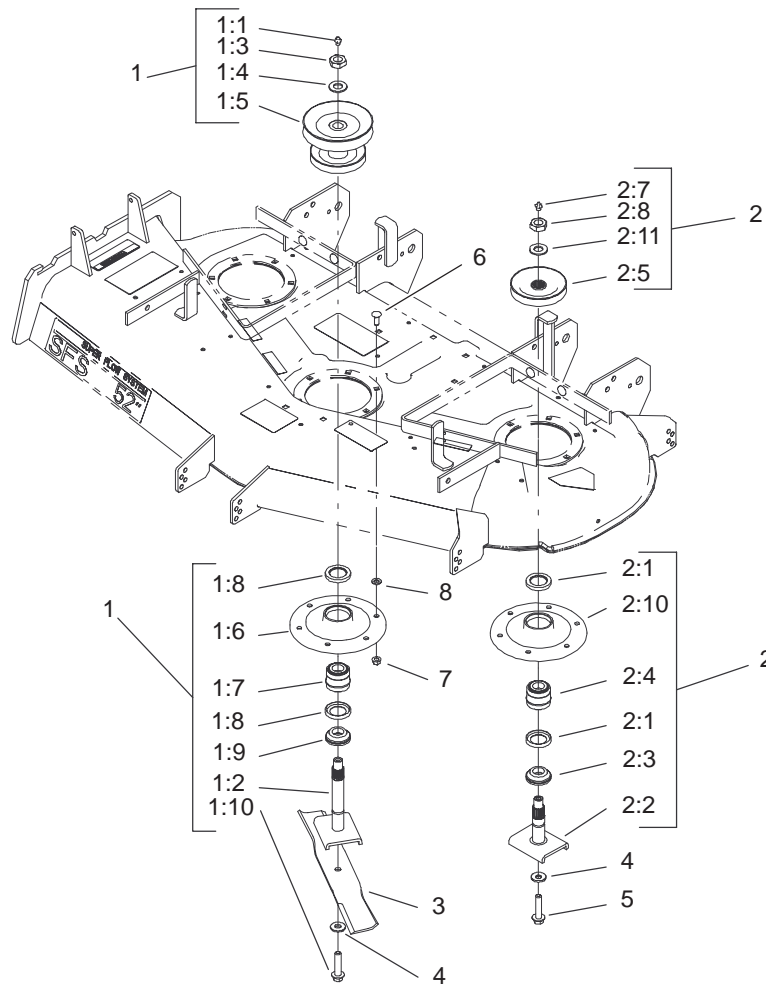


Sheet No.: 51

Deck, Deflector and Roller Assembly

Ref. No.	Part No.	Qty.	Description
1	105-1696	1	Deck ASM
1:2	43-8480	1	Decal-Danger
1:3	98-3798	1	Decal-Wheel, Gage
1:4	66-1340	1	Decal-Danger
1:5	104-8569	1	Decal-Warning, Deflector
1:6	98-3799	1	Decal-Belt Routing
1:7	98-5953	1	Decal-Sfs
1:8	98-5954	3	Decal-Missing, Cover
1:9	93-7818	1	Decal-Torque, Blade Bolt
3	98-5975	3	Washer-Belleville
5	321-1	6	Screw-HH
6	32128-33	6	Nut-HF
7	323-28	1	Screw-HH
8	98-5967	1	Spacer-Wheel
9	68-2730	5	Wheel-Gage
10	1-373034	3	Washer-Swivel
11	3290-357	7	Nut-HHF
12	99-2842	3	Spacer-Wheel
17	104-8554	1	Spring-Torsion
18	105-4623	1	Deflector ASM
18:2	54-9220	1	Decal-Danger
19	322-50	1	Screw-Cap
20	3296-29	1	Nut-Lock, NI
21	98-5963	1	Cover ASM-RH

Ref. No.	Part No.	Qty.	Description
21:2	67-5360	1	Decal-Danger
22	98-5965	1	LH Cover ASM
22:2	67-5360	1	Decal-Danger
24	32128-17	4	Nut-Lock, Flange
25	249-21	2	Clamp-Slotted
26	3290-321	4	Screw-HWH
27	105-4622	1	Spacer-Mounting, Deflector



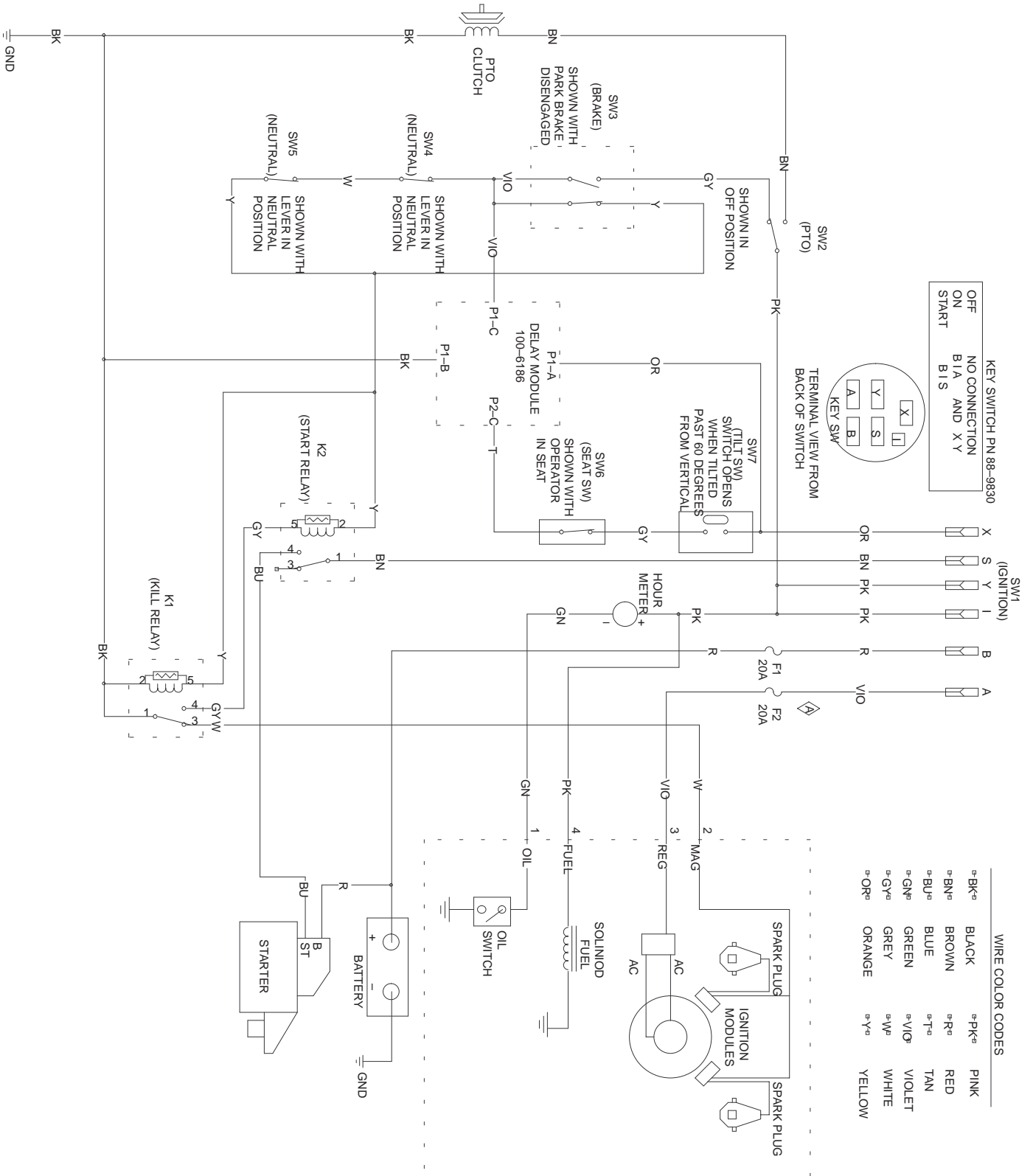
Sheet No.: 52

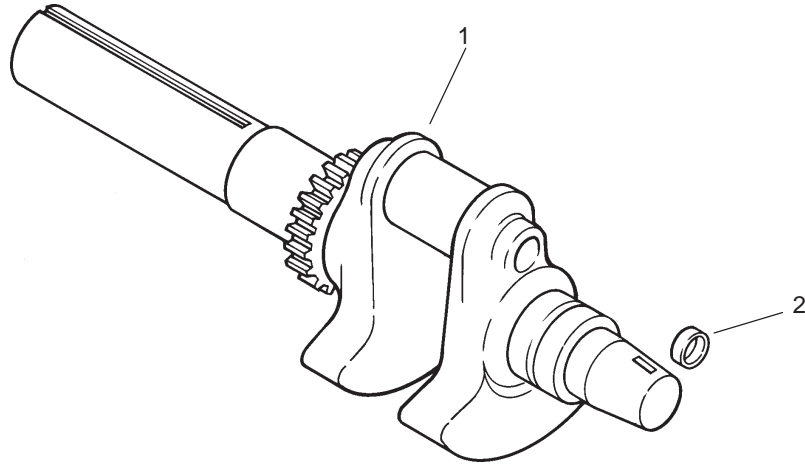
Spindle and Pulley Assembly

Ref. No.	Part No.	Qty.	Description
1	105-1687	1	Spindle Housing ASM
1:1	302-2	1	Fitting-Grease
1:2	105-1686	1	Spindle Shaft ASM
1:3	32146-20	1	Nut-Jam
1:4	92-5836	1	Washer-Axle
1:5	100-2312	1	Pulley/Hub ASM
1:6	61-4160	1	Housing-Spindle
1:7	46-8530	1	Bearing ASM
1:8	253-139	2	Seal-Oil
1:9	27-0950	1	Spacer-Bearing, Spindle
1:10	92-5816	1	Bolt-Blade
2	99-4639	2	Spindle ASM - Outer
2:1	253-139	2	Seal-Oil
2:2	27-0920	1	Shaft-Spindle
2:3	27-0950	1	Spacer-Bearing, Spindle
2:4	46-8530	1	Bearing ASM
2:5	99-4613	1	Pulley & Hub
2:7	302-2	1	Fitting-Grease
2:8	32146-20	1	Nut-Jam
2:10	61-4160	1	Housing-Spindle
2:11	7-4150	1	Washer-Pinion
3	27-0990	3	Blade
4	1-513435	3	Washer-Spring
5	92-5816	2	Bolt-Blade

Ref. No.	Part No.	Qty.	Description
6	3231-22	16	Screw-CARR
7	32128-21	16	Nut-HF
8	3256-24	1	Washer-Flat

Electrical Schematic



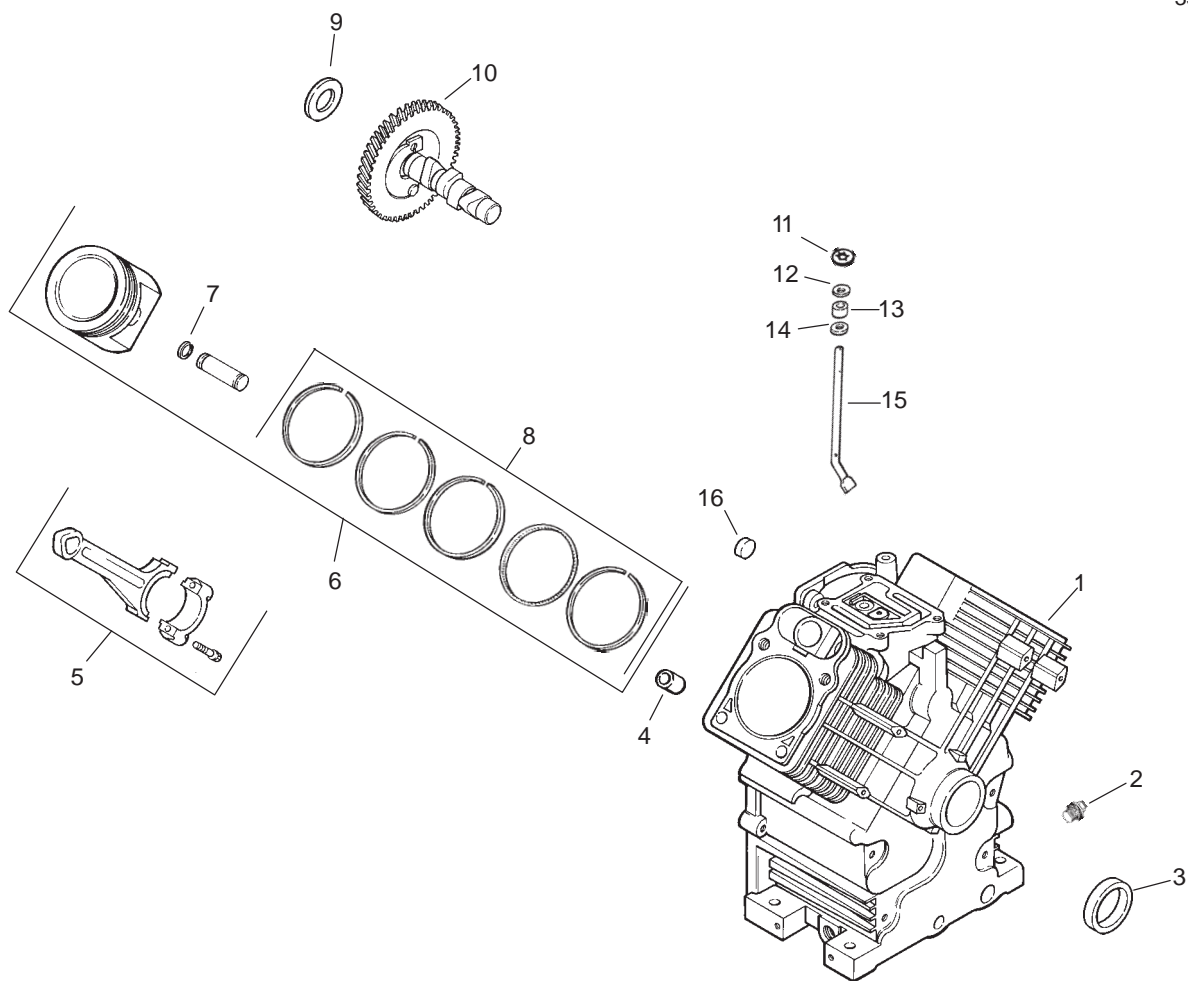


Group 1 – Crankshaft Assembly Kohler CH20S-64670

Ref. No.	Part No.	Qty.	Description
1	24 014 84-S	1	Crankshaft (Includes 2)
2	52 139 09-S	1	Plug, cup

Ref. No.	Part No.	Qty.	Description

Obtain Parts from Kohler

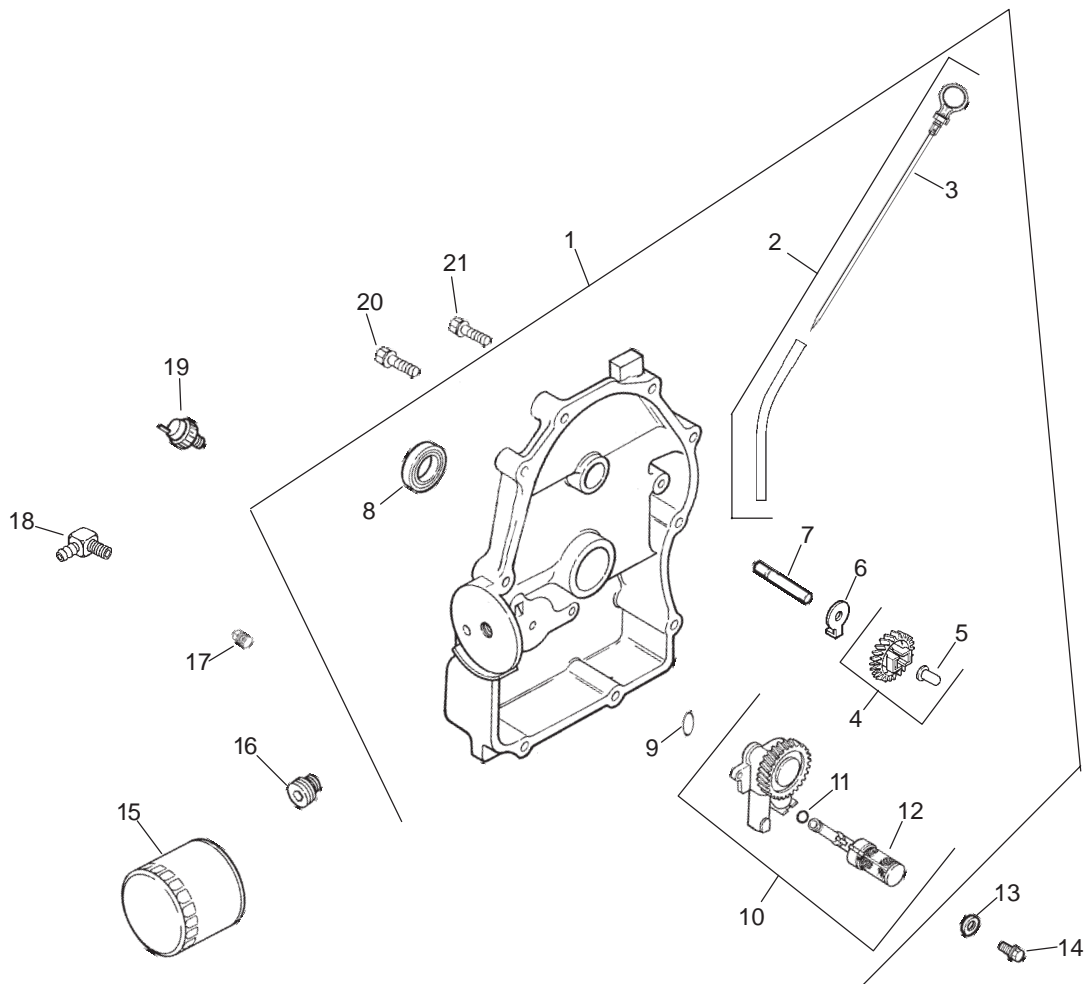


Group 2 – Crankcase Assembly Kohler CH20S-64670

Ref. No.	Part No.	Qty.	Description
1	N/A	1	Crankcase (USE: Miniblock 24 782 15)
2	25 139 57-S	2	Plug, square hd. 3/8" N.P.T.F
3	24 032 01-S	1	Seal, oil front
4	24 380 13-S	6	Pin, locating
5	24 067 13-S	2	Connecting Rod (Std.)
	24 067 14-S	2	Connecting Rod (.25)
6	24 874 17-S	2	Piston w/Ring Set (Std.) (Includes 7, 8)
	24 874 14-S	2	Piston w/Ring Set (.08)
	24 874 18-S	2	Piston w/Ring Set (.25)
	24 874 19-S	2	Piston w/Ring Set (.50)
7	24 018 01-S	4	Retainer, piston pin
8	24 108 11-S	2	Ring Set (Std. & .08)
	24 108 12-S	2	Ring Set (.25)
	24 108 13-S	2	Ring Set (.50)
9	12 422 09-S	A.R.	Shim, camshaft – red
	12 422 13-S	A.R.	Shim, camshaft – black
	12 422 07-S	A.R.	Shim, camshaft – white
	12 422 08-S	A.R.	Shim, camshaft – blue
	12 422 10-S	1	Shim, camshaft – yellow

Ref. No.	Part No.	Qty.	Description
	12 422 11-S	A.R.	Shim, camshaft – green
	12 422 12-S	A.R.	Shim, camshaft – gray
10	24 012 10-S	1	Camshaft
11	24 018 09-S	1	Retainer, ring
12	M-931010-S	1	Washer, nylon (top)
13	28 032 09-S	1	Seal, governor cross shaft
14	24 468 15-S	1	Washer (bottom)
15	24 144 33-S	1	Shaft, governor cross
16	52 139 09-S	1	Plug, cup

Obtain Parts from Kohler

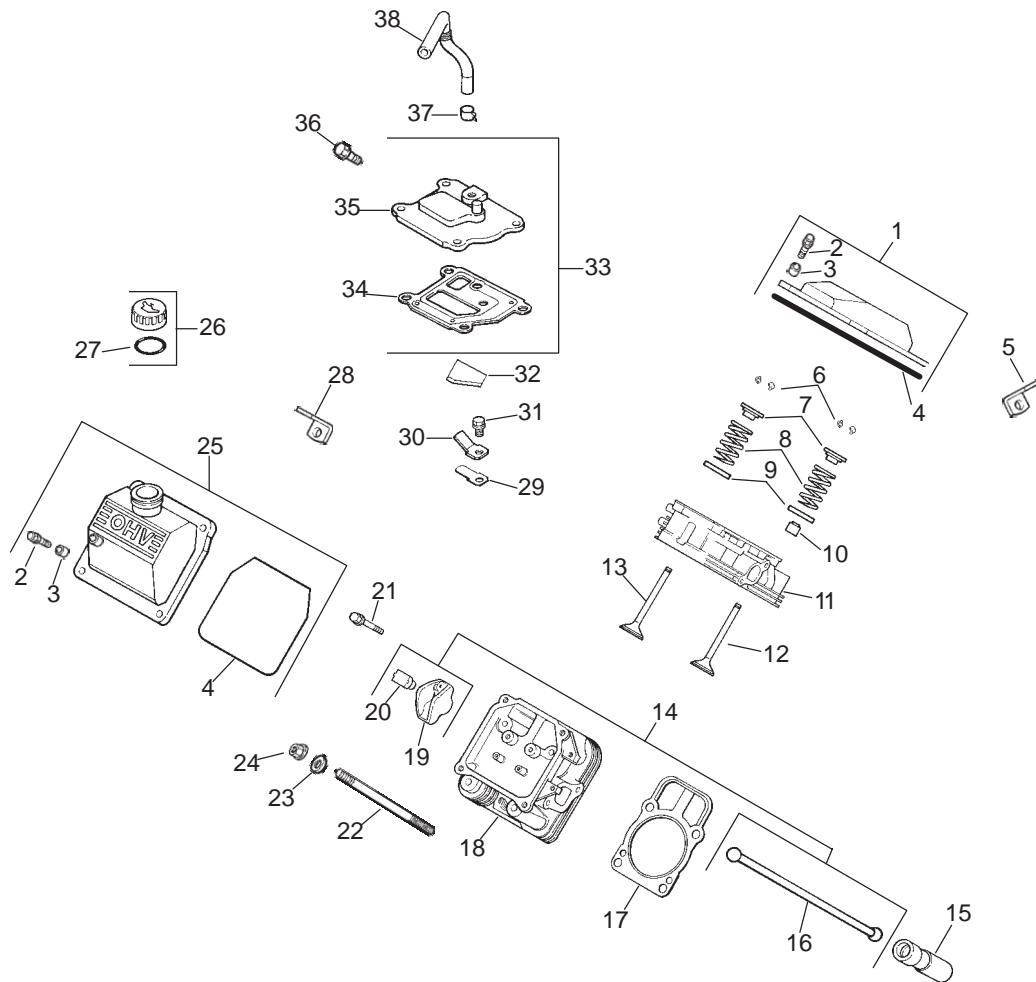


Group 3 – Oil Pan/Lubrication Assembly Kohler CH20S-64670

Ref. No.	Part No.	Qty.	Description
1	24 009 83-S	1	Kit, closure plate (Includes 2-12,19,20)
2	24 755 121-S	1	Kit, dipstick & tube (Includes 3)
3	24 038 10-S	1	Dipstick
4	24 043 12-S	1	Kit, governor gear w/pin (Includes 5)
5	12 380 01-S	1	Pin, governor regulating
6	52 448 02-S	1	Tab, locking
7	12 144 02-S	1	Shaft, governor gear
8	52 032 08-S	1	Seal, oil (PTO end)
9	24 153 08-S	1	O-Ring
10	24 393 10-S	1	Oil pump assembly (Includes 11,12)
11	24 153 01-S	1	O-Ring, oil pick-up
12	24 381 04-S	1	Pick-up, oil
13	M-631005-S	2	Washer, plain 6 mm
14	M-645025-S	2	Screw, hex. flange M6x1.0x25
15	52 050 02-S	1	Filter, oil
16	24 136 01-S	1	Nipple, oil filter
17	25 139 60-S	1	Plug, allen hd. 1/8 pipe

Ref. No.	Part No.	Qty.	Description
18	25 155 02-S	1	Connector, hose 45
19	24 099 03-S	1	Switch, oil pressure
20	24 086 16-S	9	Screw, hex. flange M8x1.25x45
21	24 086 17-S	1	Screw, hex. flange M8x1.25x45

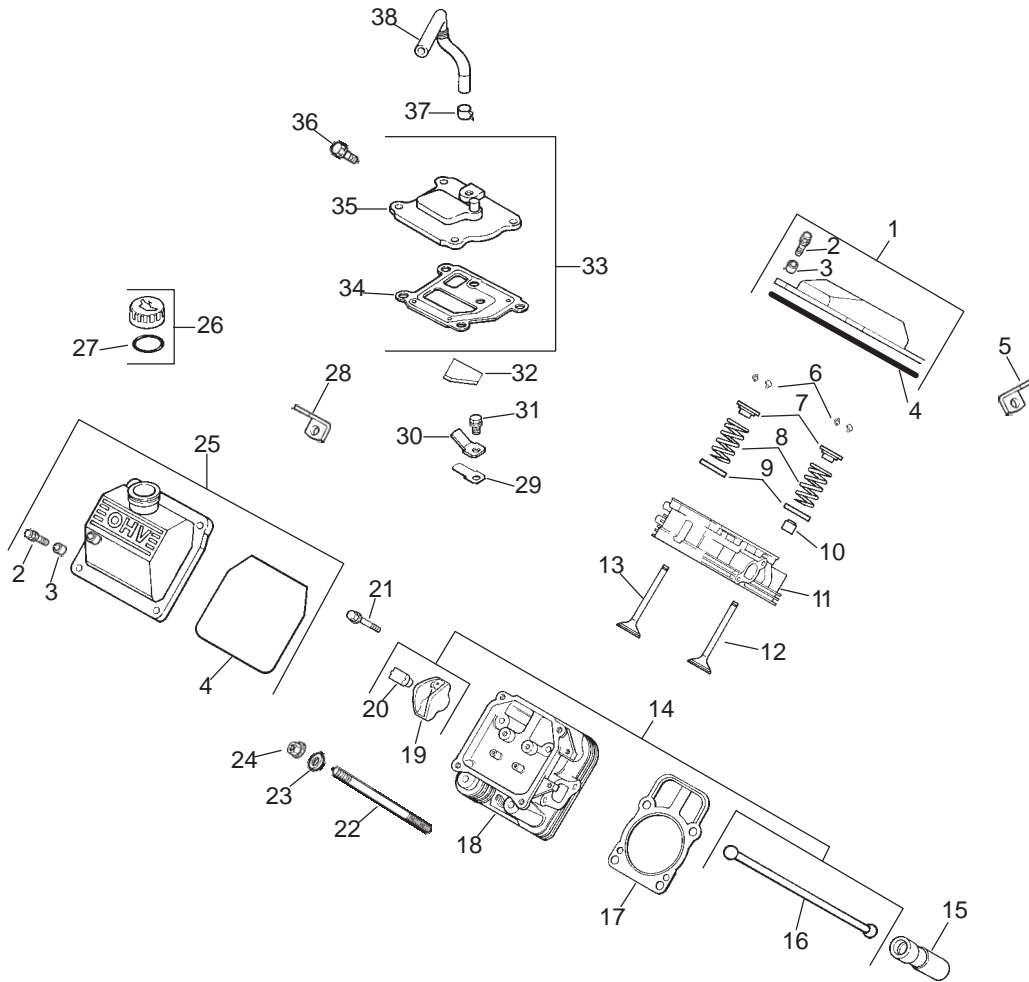
Obtain Parts from Kohler



Group 4 – Head/Valve/Breather Assembly Kohler CH20S-64670

Ref. No.	Part No.	Qty.	Description	Ref. No.	Part No.	Qty.	Description
1	24 755 74-S	1	Kit, valve cover – plain (Includes 2-4)	18	24 318 71-S	1	Head assembly, #2 cylinder
2	M-651030-S	4	Screw, hex. flange M6x1.0x30	19	25 186 01-S	4	Arm, rocker
3	24 112 08-S	4	Spacer	20	24 599 01-S	4	Pivot, rocker arm
4	24 153 16-S	1	O-Ring, valve cover	21	M-640034-S	4	Screw, hex. flange M6x1.0x34
5	12 445 05-S	1	Strap, lifting	22	24 072 09-S	8	Stud, cylinder head M8x1.25x20, M10x1.5x33, 105 mm long
6	12 755 03-S	4	Kit, retainer	23	24 468 16-S	8	Washer, flat 8 mm
7	12 173 01-S	4	Cap, valve spring	24	24 100 10-S	8	Nut, hex. flange M8x1.25
8	24 089 02-S	4	Spring, valve	25	24 755 75-S	1	Kit, valve cover – oil fill (Includes 2-4)
9	235011-S	4	Retainer, spring	26	25 755 13-S	1	Kit, oil fill cap (Includes 27)
10	66 032 05-S	2	Seal, valve stem	27	25 153 02-S	1	O-Ring
11	24 318 68-S	1	Head assembly, #1 cylinder	28	24 445 01-S	1	Strap, lifting
12	24 017 01-S	2	Valve, intake (Std.)	29	24 402 03-S	1	Reed, breather
	24 017 02-S	2	Valve, intake (.25)	30	12 018 01-S	1	Retainer, breather reed
13	24 016 01-S	2	Valve, exhaust (Std.)	31	M-545010-S	1	Screw, hex. flange M5x0.8x10
	24 016 02-S	2	Valve, exhaust (.25)	32	24 050 01-S	1	Filter, breather
14	24 755 66-S	1	Kit, valve train (Includes 16,19,20)				
15	25 351 01-S	4	Lifter, valve				
16	24 411 05-S	4	Rod, push				
17	24 041 08-S	2	Gasket, cylinder head				

Obtain Parts from Kohler

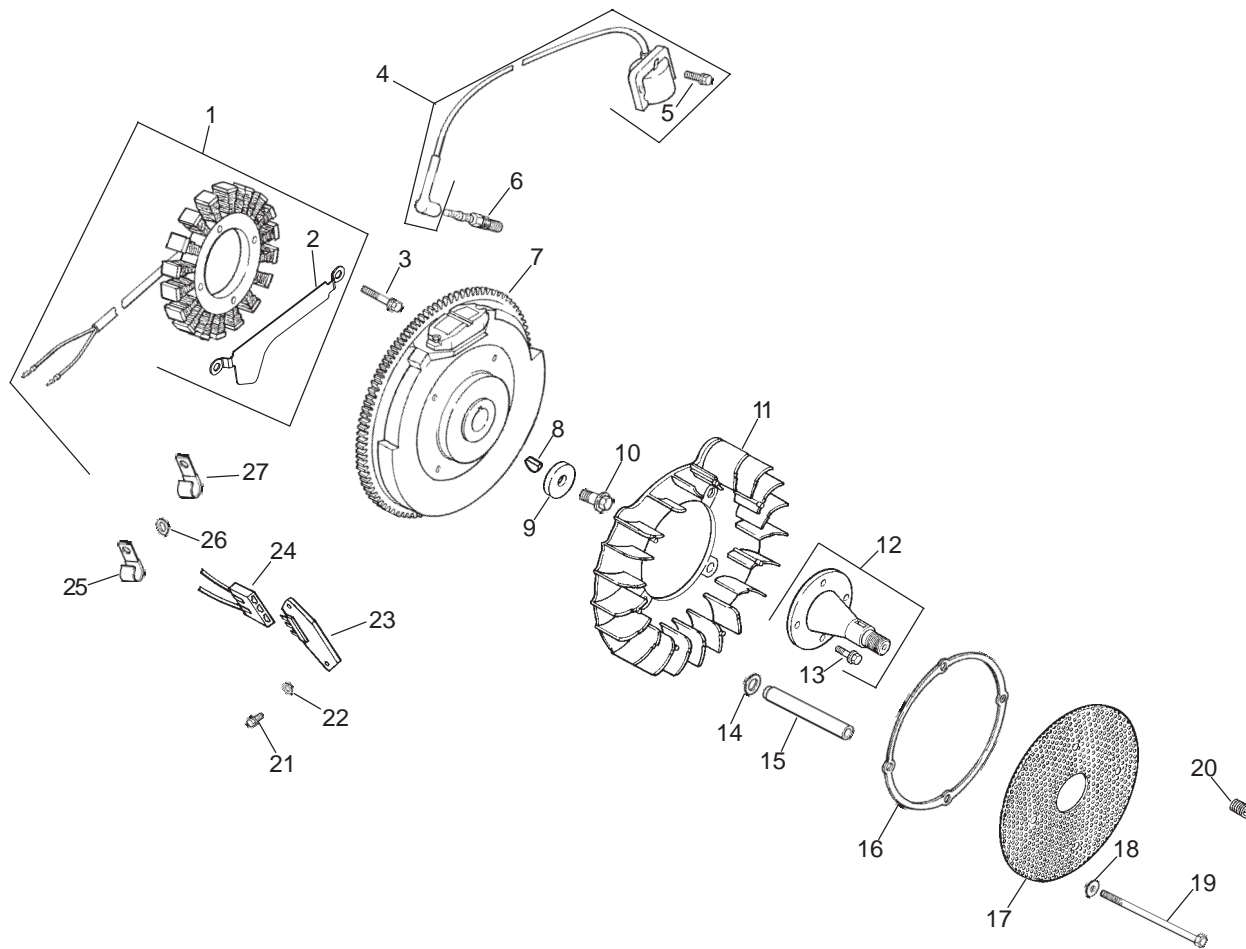


Group 4 – Head/Valve/Breather Assembly (Continued) Kohler CH20S-64670

Ref. No.	Part No.	Qty.	Description
33	24 033 01-S	1	Kit, breather (Includes 34,35)
34	24 041 23-S	1	Gasket, breather
35	24 096 86-S	1	Cover, breather
36	M-645020-S	4	Screw, hex. flange M6x1.0x20
37	25 237 08-S	2	Clamp, breather
38	24 326 31-S	1	Hose, breather

Ref. No.	Part No.	Qty.	Description

Obtain Parts from Kohler

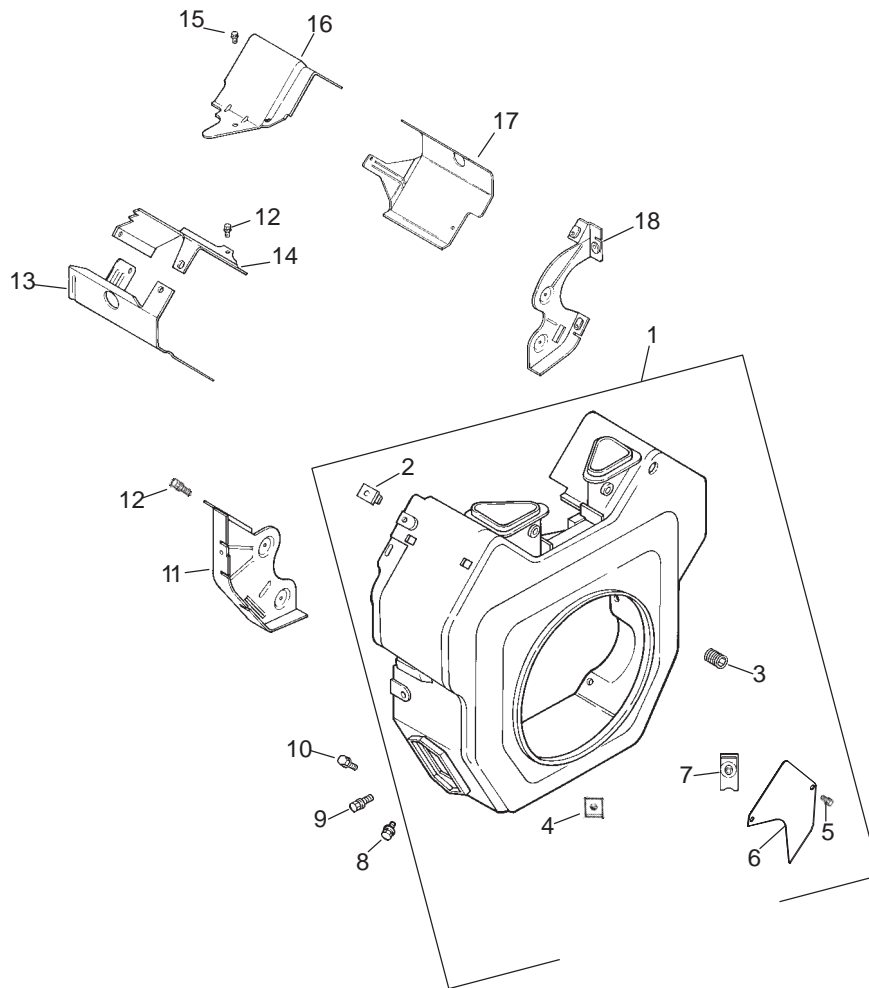


Group 5 – Ignition/Electrical Assembly Kohler CH20S-64670

Ref. No.	Part No.	Qty.	Description	Ref. No.	Part No.	Qty.	Description
1	54 755 09-S	1	Kit, 15 amp stator (Includes 2)	18	X-25-53-S	4	Washer, plain 1/4"
2	24 126 71-S	1	Bracket, stator wire	19	M-603100-S	4	Screw, hex. hd. M6x1.0x100
3	M-548025-S	2	Screw, hex. cap M5x0.8x25	20	25 086 43-S	1	Screw, set
4	24 584 25-S	2	Kit, ignition module (Includes 5)	21	24 086 18-S	2	Screw, phillips hd. 11-16x7/8"
5	M-561025-S	4	Screw, hex. flange M5x0.8x25	22	X-25-92-S	2	Washer, plain 3/16"
6	12 132 06-S	2	Spark Plug	23	25 403 03-S	1	Rectifier-regulator 15 amp
7	24 025 04-S	1	Flywheel	24	236602-S	1	Connector 3 contact
8	X-42-15-S	1	Key	25	235173-S	1	Clip, cable
9	12 468 03-S	1	Washer, plain 3/8"	26	X-25-63-S	1	Washer, plain 1/4"
10	12 086 14-S	1	Screw, hex. flange M10x1.5x46	27	48 154 02-S	1	Clip, cable
11	24 157 01-S	1	Fan	*	24 518 12-S	1	Lead, black, (5" - 12 gauge - insulated grip barrel eyelet terminals)
12	24 755 08-S	1	Kit, front drive shaft (Includes 13)	*	24 176 07-S	1	Harness, wiring
13	M-839025-S	4	Screw, hex. flange M8x1.25x25	*	25 454 03-S	2	Tie, cable
14	24 468 11-S	4	Washer, spring 10 mm	*	X-22-11-S	1	Washer, lock (used to ground rectifier-regulator)
15	24 112 14-S	4	Spacer				
16	24 141 06-S	1	Ring, support				
17	24 162 22-S	1	Screen, grass				

* Not Illustrated

Obtain Parts from Kohler

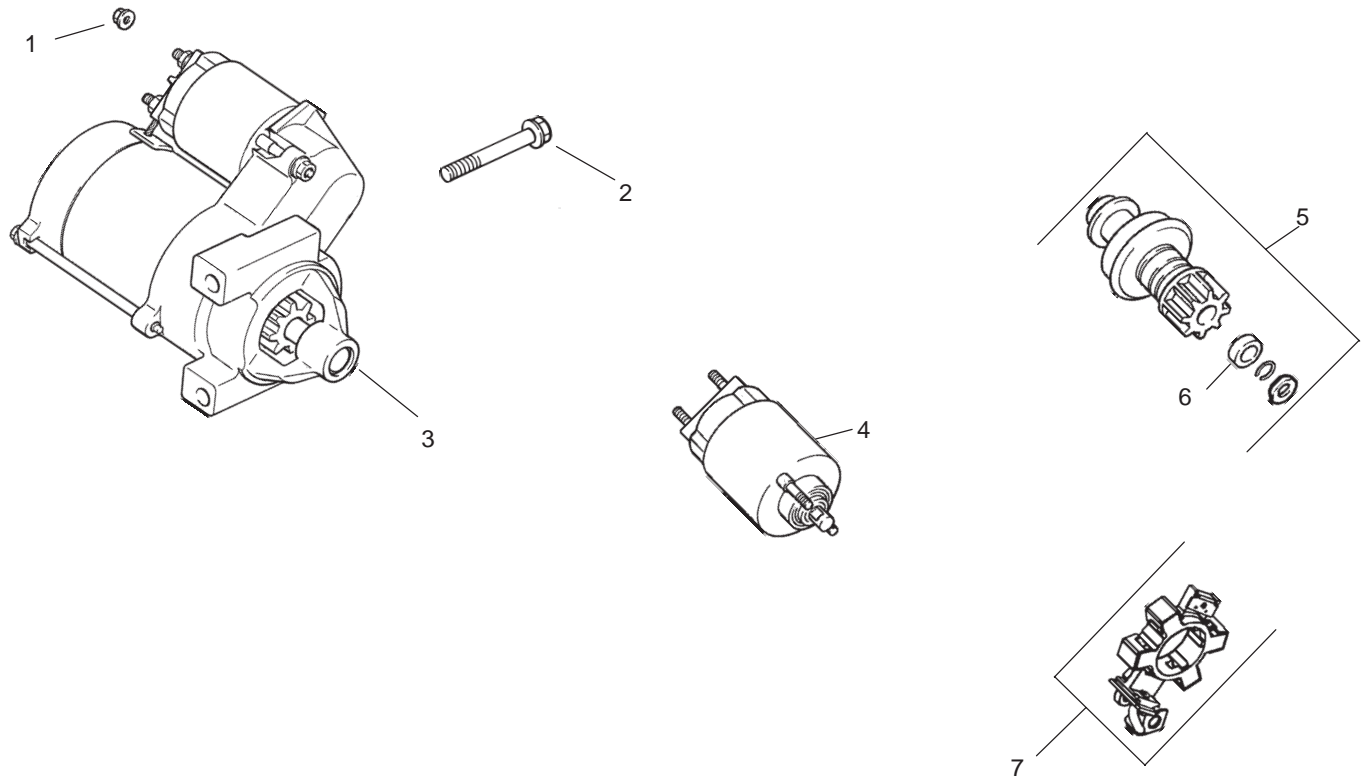


Group 6 – Blower Housing Assembly Kohler CH20S-64670

Ref. No.	Part No.	Qty.	Description
1	54 027 93-S	1	Housing, blower assembly (Includes 2-7)
2	24 100 01-S	2	Nut, plastic
3	25 086 43-S	1	Screw, set
4	24 100 02-S	2	Nut, plastic (2)
5	M-645016-S	4	Screw, hex. flange M6x1.0x16
6	24 096 64-S	2	Cover, access panel
7	25 154 02-S	4	Clip, mounting
8	M-551016-S	1	Screw, hex. flange M5x0.8x16
9	M-545016-S	3	Screw, hex. flange M5x0.8x16
10	M-545020-S	4	Screw, hex. flange M5x0.8x20
11	24 146 16-S	1	Plate, backing – #2 side
12	M-645016-S	6	Screw, hex. flange M6x1.0x16
13	24 063 20-S	1	Baffle, cylinder barrel – #2 side
14	24 063 17-S	1	Baffle, valley – #2 side

Ref. No.	Part No.	Qty.	Description
15	M-545010-S	2	Screw, hex. flange M5x0.8x10
16	24 063 59-S	1	Baffle, valley – #1 side
17	24 063 58-S	1	Baffle, cylinder barrel – #1 side
18	24 146 20-S	1	Plate, backing – #1 side
*	24 113 114-S	1	Decal, 20 HP

* Not Illustrated
Obtain Parts from Kohler

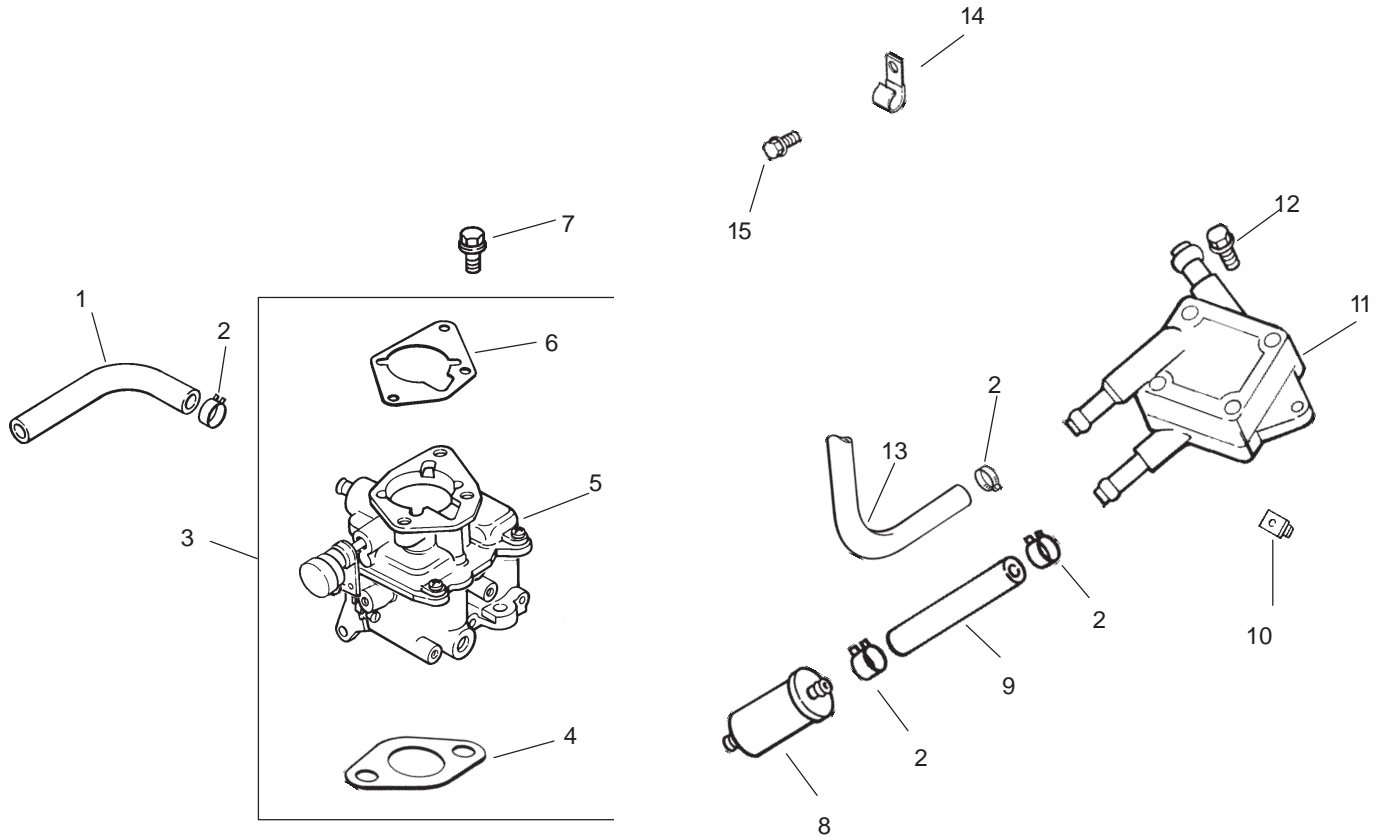


Group 7 – Starter Assembly Kohler CH20S-64670

Ref. No.	Part No.	Qty.	Description
1	M-841080-S	1	Nut, hex flange M8x1.25
2	M-839080-S	2	Screw, hex. flange M8x1.25x80
3	25 098 08-S	1	Starter, solenoid shift assembly (Includes 4-7)
4	25 435 04-S	1	Kit, solenoid
5	25 755 33-S	1	Kit, pinion drive (Includes 6)
6	25 141 05-S	1	Ring
7	25 221 01-S	1	Kit, brush

Ref. No.	Part No.	Qty.	Description

Obtain Parts from Kohler

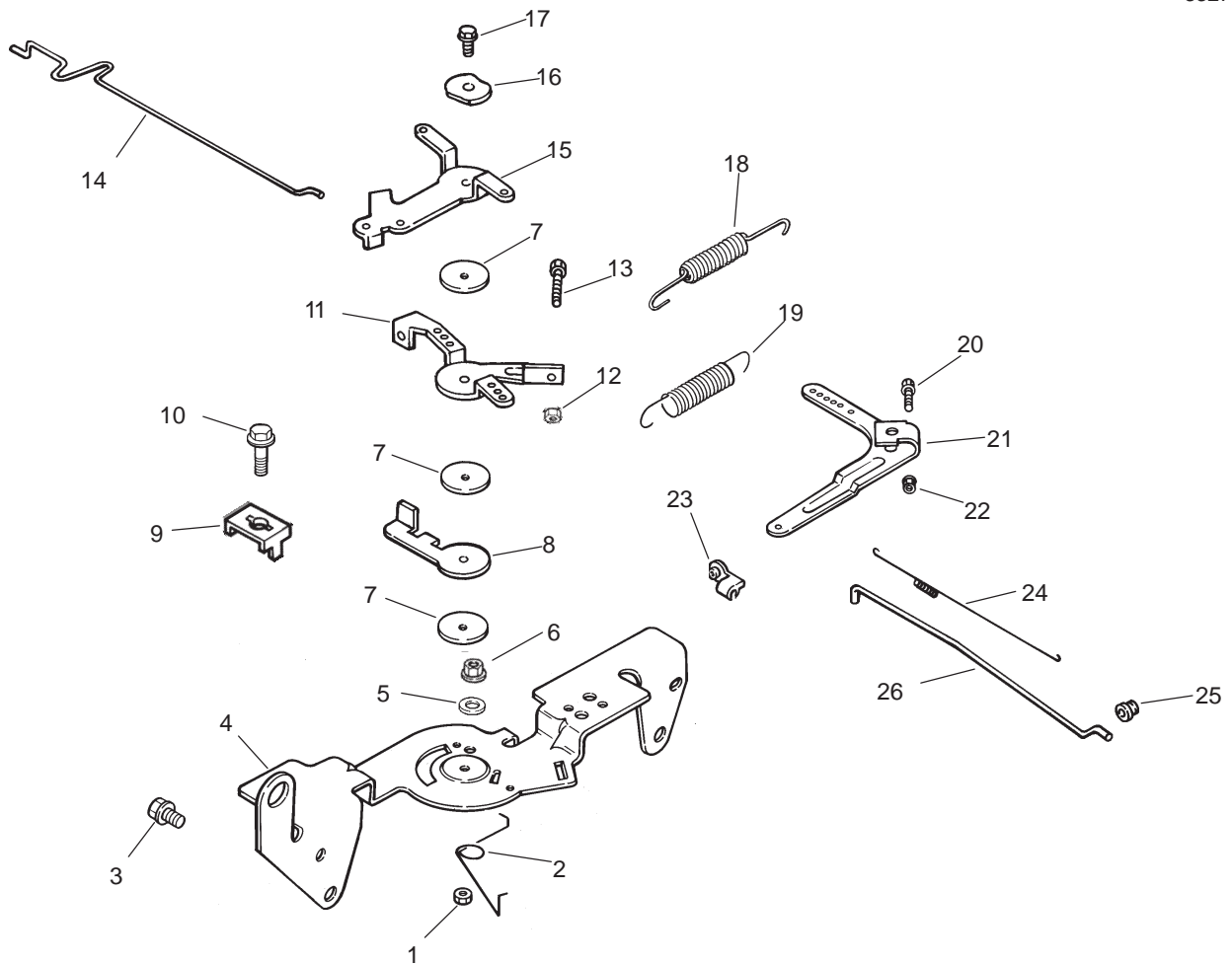


Group 8 – Fuel System Assembly Kohler CH20S-64670

Ref. No.	Part No.	Qty.	Description
1	25 353 32-S	1	Line, fuel 9"
2	25 237 14-S	6	Clamp, hose
3	24 853 32-S	1	Kit, carburetor w/gaskets (Includes 4-6)
4	24 041 06-S	1	Gasket, air cleaner base
5	24 053 32	1	Carburetor assembly (For information only not available separately) (Service with kits 24 757 01-S, 24 757 02-S, 24 757 03-S, 24 757 07-S, & 24 755 125-S)
6	24 041 17-S	1	Gasket, carburetor
7	M-651030-S	2	Screw, hex. flange M6x1.0x30
8	24 050 02-S	1	Filter, fuel
9	25 353 15-S	1	Line, fuel 3-1/2"
10	24 100 01-S	2	Nut, plastic
11	24 393 16-S	1	Pump, fuel - pulse

Ref. No.	Part No.	Qty.	Description
12	24 086 12-S	2	Screw, hex. cap M6x1.7x18
13	24 353 02-S	1	Line, fuel 15-1/2"
14	47 154 01-S	1	Clip, cable
15	M-650012-S	1	Screw, hex. flange M6x1.0x12
*	24 757 01-S	1	Kit, solenoid
*	24 757 02-S	1	Kit, float
*	24 757 03-S	1	Kit, carburetor repair
*	24 757 07-S	1	Kit, choke repair
*	24 755 125-S	1	Kit, high altitude w/gaskets

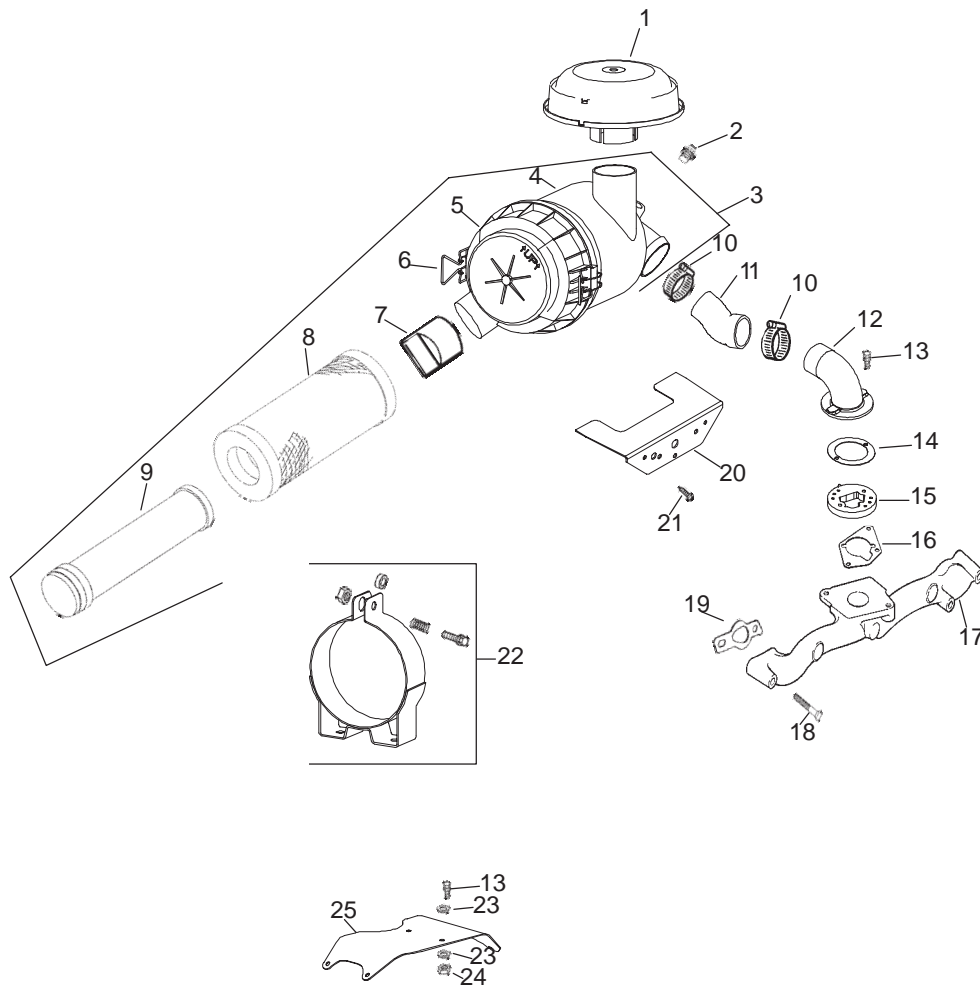
* Not Illustrated
Obtain Parts from Kohler



Group 9 – Engine Control Assembly Kohler CH20S-64670

Ref. No.	Part No.	Qty.	Description	Ref. No.	Part No.	Qty.	Description
1	M-547050-S	1	Nut, hex. lock M5x0.8	20	24 211 03-S	1	Bolt round head square neck
2	24 089 03-S	1	Spring, choke return	21	24 090 33-S	1	Lever, governor
3	M-645016-S	4	Screw, hex. flange M6x1.0x16	22	M-641060-S	1	Nut, hex. flange M6x1.0
4	24 126 56-S	1	Bracket, control	23	25 158 11-S	1	Bushing, linkage retaining
5	X-20-1-S	1	Washer, lock 1/4	24	24 089 01-S	1	Spring, linkage
6	M-541050-S	1	Nut, hex. flange M5x0.8	25	25 158 08-S	1	Bushing, linkage retaining
7	24 468 01-S	3	Washer, plain 5.5 mm	26	24 079 01-S	1	Linkage, throttle
8	24 090 07-S	1	Lever, throttle actuator				
9	12 237 01-S	2	Clamp, cable				
10	M-545016-S	3	Screw, hex. flange M5x0.8x16				
11	24 090 03-S	1	Lever, throttle control				
12	M-446030-S	1	Nut, hex M4x0.7				
13	M-401030-S	1	Screw, hex. cap M4x0.7x30				
14	24 079 02-S	1	Linkage, choke				
15	24 090 05-S	1	Lever, choke				
16	41 468 03-S	1	Washer, spring 1/4"				
17	M-545020-S	1	Screw, hex. flange M5x0.8x20				
18	24 089 51-S	1	Spring, throttle limiter				
19	24 089 46-S	1	Spring, governor				

Obtain Parts from Kohler

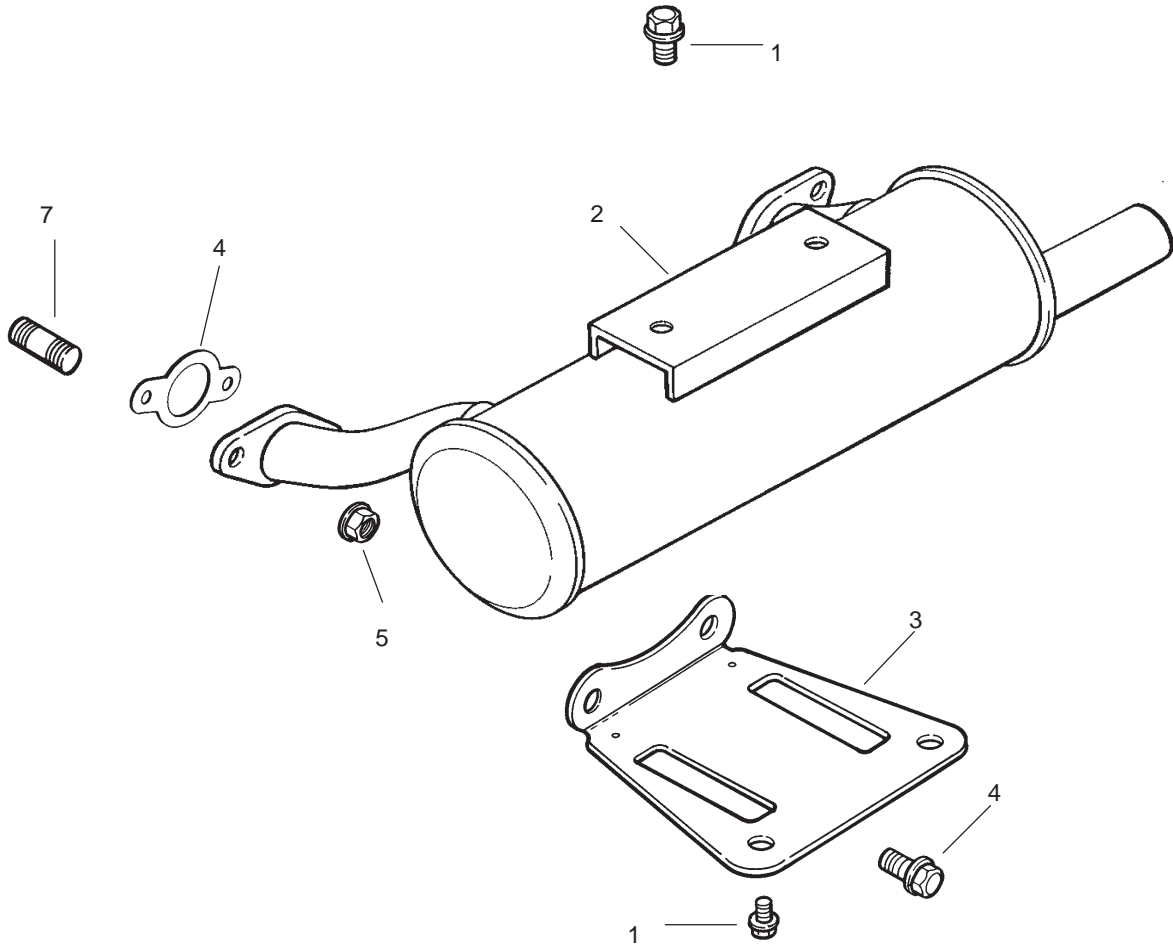


Group 10 – Air Intake/Filtration Assembly Kohler CH20S-64670

Ref. No.	Part No.	Qty.	Description
1	25 324 02-S	1	Hood, air cleaner
2	25 139 20-S	1	Plug, pipe
3	25 048 07-S	1	Cleaner, heavy duty air (Includes 4-9)
4	25 081 01-S	1	Housing, heavy duty air cleaner
5	25 096 06-S	1	Cover, heavy duty air cleaner
6	25 154 05-S	2	Clip
7	24 462 07-S	1	Valve, dust ejector
8	25 083 01-S	1	Element – primary
9	25 083 04-S	1	Element safety filter
10	25 237 07-S	2	Clamp, hose
11	24 326 32-S	1	Hose, air cleaner
12	24 029 21-S	1	Adapter, remote air cleaner
13	M-639016-S	6	Screw, hex. flange M6x1.0x16
14	24 041 34-S	1	Gasket, adapter
15	24 029 26-S	1	Adapter
16	24 041 06-S	1	Gasket, air cleaner base
17	24 164 14-S	1	Manifold, intake

Ref. No.	Part No.	Qty.	Description
18	25 086 84-S	4	Screw, hex. flange M6x1.0x55
19	24 041 01-S	2	Gasket, intake manifold
20	24 314 25-S	1	Shield, debris
21	24 086 06-S	2	Screw, phillips hd. 11-16x3/4"
22	25 126 02-S	1	Bracket, air cleaner
23	X-25-73-S	4	Washer, plain 1/4"
24	M-647060-S	2	Nut, hex. lock M6x0.8
25	24 126 98-S	1	Bracket, air cleaner
*	25 113 27-S	1	Decal, air cleaner

* Not Illustrated
Obtain Parts from Kohler



Group 11 – Exhaust Assembly Kohler CH20S-64670

Ref. No.	Part No.	Qty.	Description
1	M-650012-S	4	Screw, hex. flange M6x1.0x12
2	24 068 18-S	1	Muffler, canister – oil filter side

Ref. No.	Part No.	Qty.	Description

Obtain Parts from Kohler

