



## Z253

### Z-Master<sup>®</sup> with 62in SFS Side Discharge Mower

Model No. 74225—22000001 and Up

## Parts Catalog

---

### Ordering Replacement Parts

To order replacement parts, please supply: the part number, the quantity, and the description of each part desired.

### Understanding Reference Numbers

Each identified part in an illustration has a reference number. The reference number for a part also appears in the parts list, along with other information about the part.

This catalog uses two special reference number formats, one to indicate parts in a service assembly and another to indicate the quantity of a given part in an illustration.

### Service Assembly Reference Numbers

Parts in service assemblies have reference numbers in the form **a:b**. The **a** represents the reference number of the entire service assembly and the **b** represents a sequential number unique to each part within the service assembly.

For example, a wheel assembly might be identified by reference number **6**, the tire by **6:1**, the valve by **6:2**, and the wheel by **6:3**. When you order the assembly identified by reference number **6**, you receive all parts identified by reference numbers **6:1**, **6:2**, and **6:3**. However, you may also order any part individually.

Reference numbers of this type appear in illustrations and in part lists.

### Reference Numbers Indicating Quantity

In an illustration, if a reference number indicates more than one part, the reference number has the form **nX y**. The **n** represents the quantity of the part, the **X** is the multiplication symbol, and the **y** represents the reference number.

For example, in an illustration, the reference number **2X 37** means that two of the parts identified by reference number **37** are indicated.

## Contents

Description	Page	Description	Page
Front Frame Assembly .....	3	Crankcase Assembly – Group 2	
Caster and Wheel Assembly .....	4	Kohler CH23S-76550 .....	23
Rear Frame and Wheel Assembly .....	5	Oil Pan/Lubrication Assembly – Group 3	
Brake and Wheel Hub Assembly .....	6	Kohler CH23S-76550 .....	24
Steering Control Assembly .....	7	Head/Valve/Breather Assembly – Group 4	
Hydraulic System Assembly .....	8	Kohler CH23S-76550 .....	25
Seat Assembly .....	10	Ignition/Electrical Assembly – Group 5	
Frame and Deck Assembly .....	11	Kohler CH23S-76550 .....	26
Idler Assembly .....	12	Blower Housing and Baffle Assembly – Group 6	
Stand Assembly .....	13	Kohler CH23S-76550 .....	27
Clutch Assembly .....	14	Starting System Assembly – Group 7	
Shield Assembly .....	15	Kohler CH23S-76550 .....	28
Tank and Fuel Line Assembly .....	16	Fuel System Assembly – Group 8	
Electrical System Assembly .....	17	Kohler CH23S-76550 .....	29
Deck, Deflector and Roller Assembly .....	18	Engine Control Assembly – Group 9	
Spindle and Pulley Assembly .....	19	Kohler CH23S-76550 .....	30
Belt and Idler Arm Assembly .....	20	Air Intake/Filtration Assembly – Group 10	
Electrical Schematic .....	21	Kohler CH23S-76550 .....	31
Crankshaft Assembly – Group 1		Exhaust Assembly – Group 11	
Kohler CH23S-76550 .....	22	Kohler CH23S-76550 .....	32

## Accessories

Description	Model / Part No.	Description	Model / Part No.
Suspension Seat Kit .....	99-8522	Atomic Blade Assembly .....	104-1303
Foot Lift Assist .....	100-4336	Z Recycler Kit (62in) .....	100-9600
Striping Kit .....	30163	Spark Arrester Kit .....	105-1672
Hitch Kit .....	99-8925	Filter Minder .....	99-4664

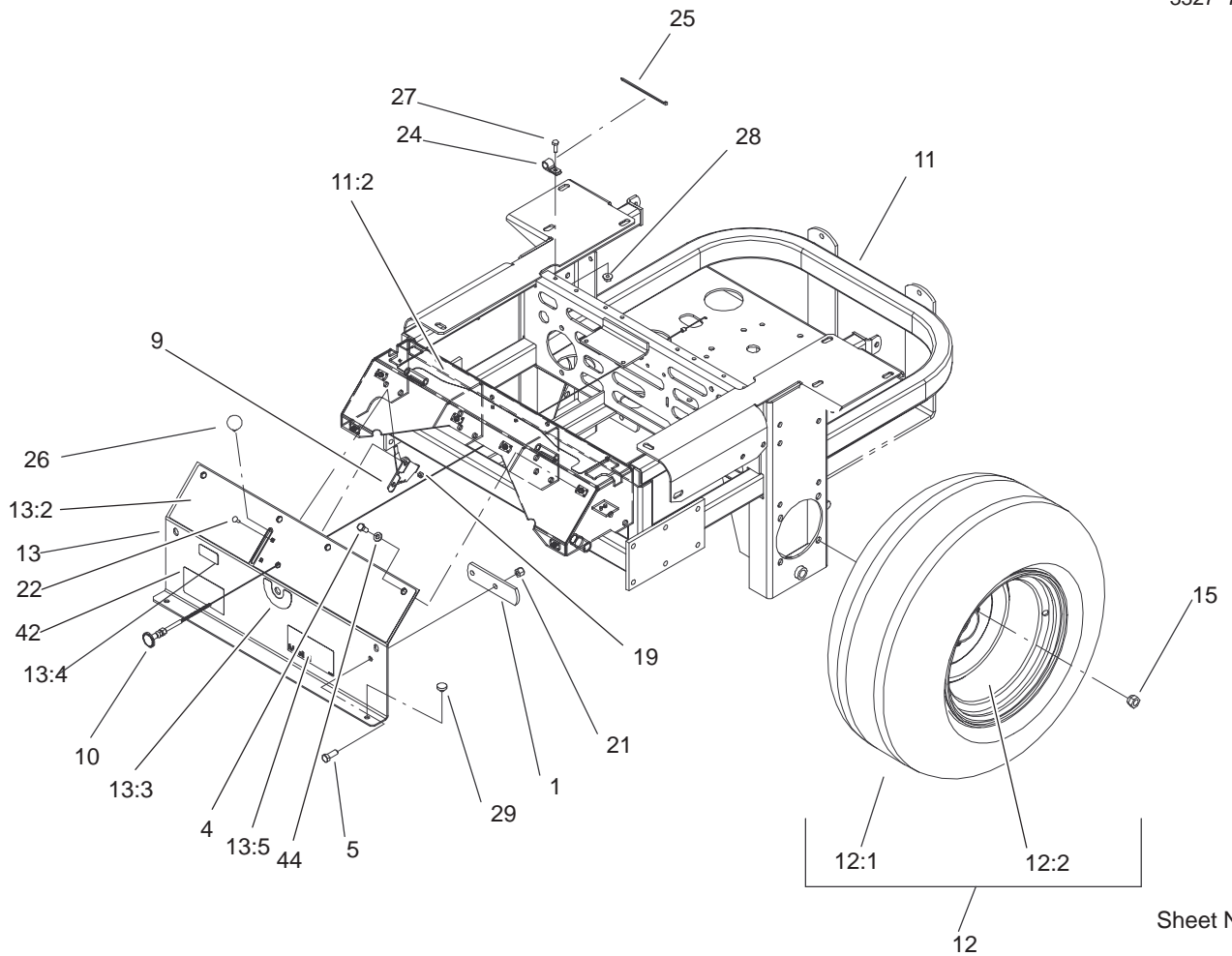
## Part Description Abbreviations

Part descriptions in this catalog may include the following abbreviations.

Abbreviation	Meaning	Abbreviation	Meaning
AR .....	as required	HWHTF .....	hex washer head thread forming
ASM .....	assembly	INC .....	incorporated
CARR .....	carriage	LH .....	left hand
DEG .....	degrees	NI .....	nylon insert
FH .....	flat head	PPH .....	Phillips pan head
GA .....	gauge	PTH .....	Phillips truss head
HF .....	hex flange	PTO .....	power take off
HH .....	hex head	RH .....	right hand
HHF .....	hex head flange	SFH .....	slotted fillister head
HLH .....	hex lag head	SHH .....	slotted hex head
HJ .....	hex jam	SQH .....	square head
HOC .....	height-of-cut	SHWH .....	slotted hex washer head
HS .....	hex socket	SPH .....	slotted pan head
HSBH .....	hex socket button head	SRH .....	slotted round head
HSFH .....	hex socket flat head	STD .....	standard
HSH .....	hex socket head	TAP .....	self tapping
HWH .....	hex washer head	TTH .....	Torx truss head





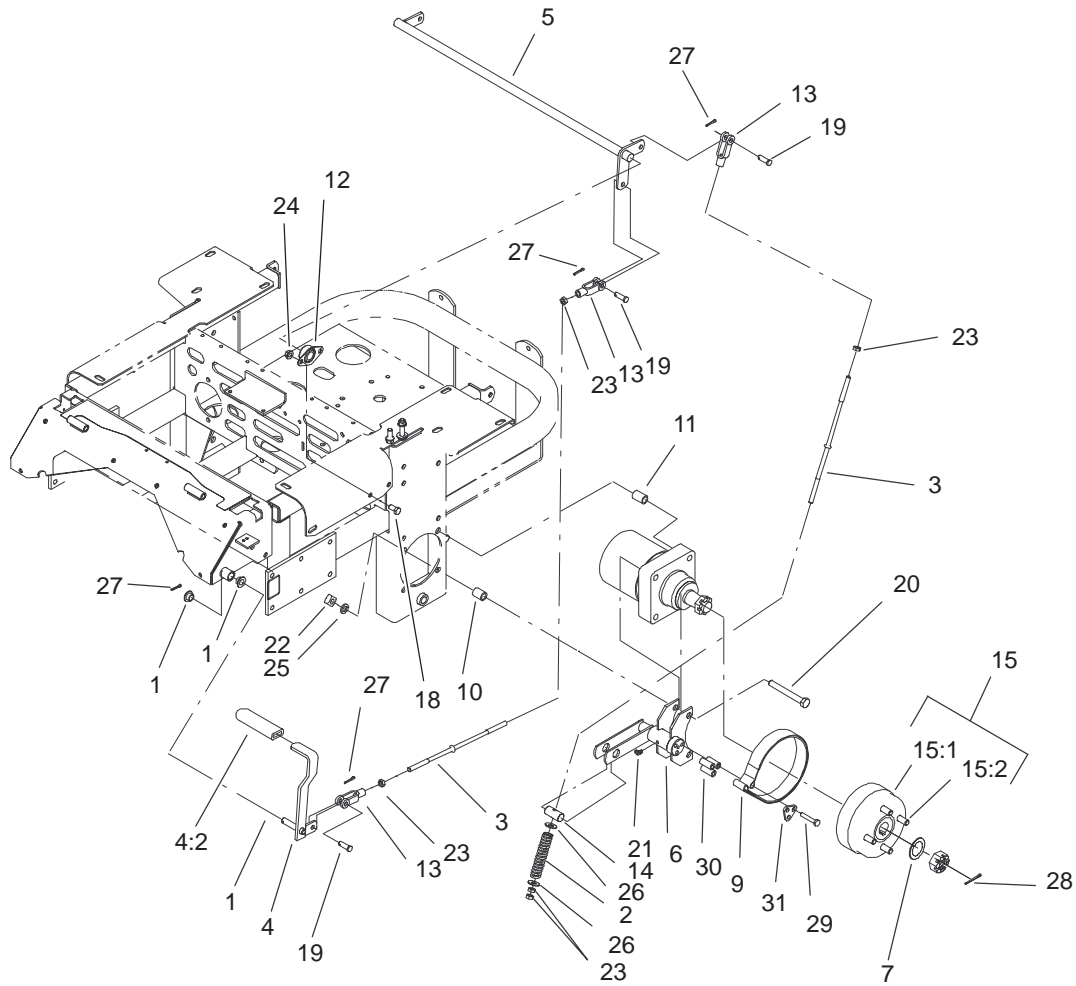


Sheet No.:4

## Rear Frame and Wheel Assembly

Ref. No.	Part No.	Qty.	Description
1	1-633964-03	1	Stop-Brake, Park
4	322-3	6	Screw-HH
5	323-6	2	Screw-HH
9	1-633696	1	Cable-Throttle
10	1-603336	1	Control-Choke
11	105-6120	1	Rear Frame ASM
11:2	103-2433	1	Decal,Top Console
12	1-633970	2	Wheel & Tire ASM
12:1	1-633993	1	Tire
12:2	1-633992	1	Wheel
13	99-4623	1	Console ASM
13:2	100-4311	1	Decal-Panel, Control
13:3	103-0262	1	Decal-Valve, Fuel
13:4	98-4387	1	Decal-Protection, Ear
13:5	104-8172	1	Decal-Mobil 1
15	242-50	8	Nut-Lug
19	3296-2	2	Nut-Lock
21	3296-39	2	Nut-Lock, NI
22	1-807513	2	Bolt-CARR
24	1-513762	1	Clip-Loom
25	1-303335	1	Tie-Plastic
26	1-513592	1	Knob-Ball
27	321-4	1	Screw-HH
28	32128-33	1	Nut-HF
29	1-513658	2	Bumper-Catcher, Grass

Ref. No.	Part No.	Qty.	Description
42	99-4628	1	Decal-Z253
44	3256-23	6	Washer-Flat

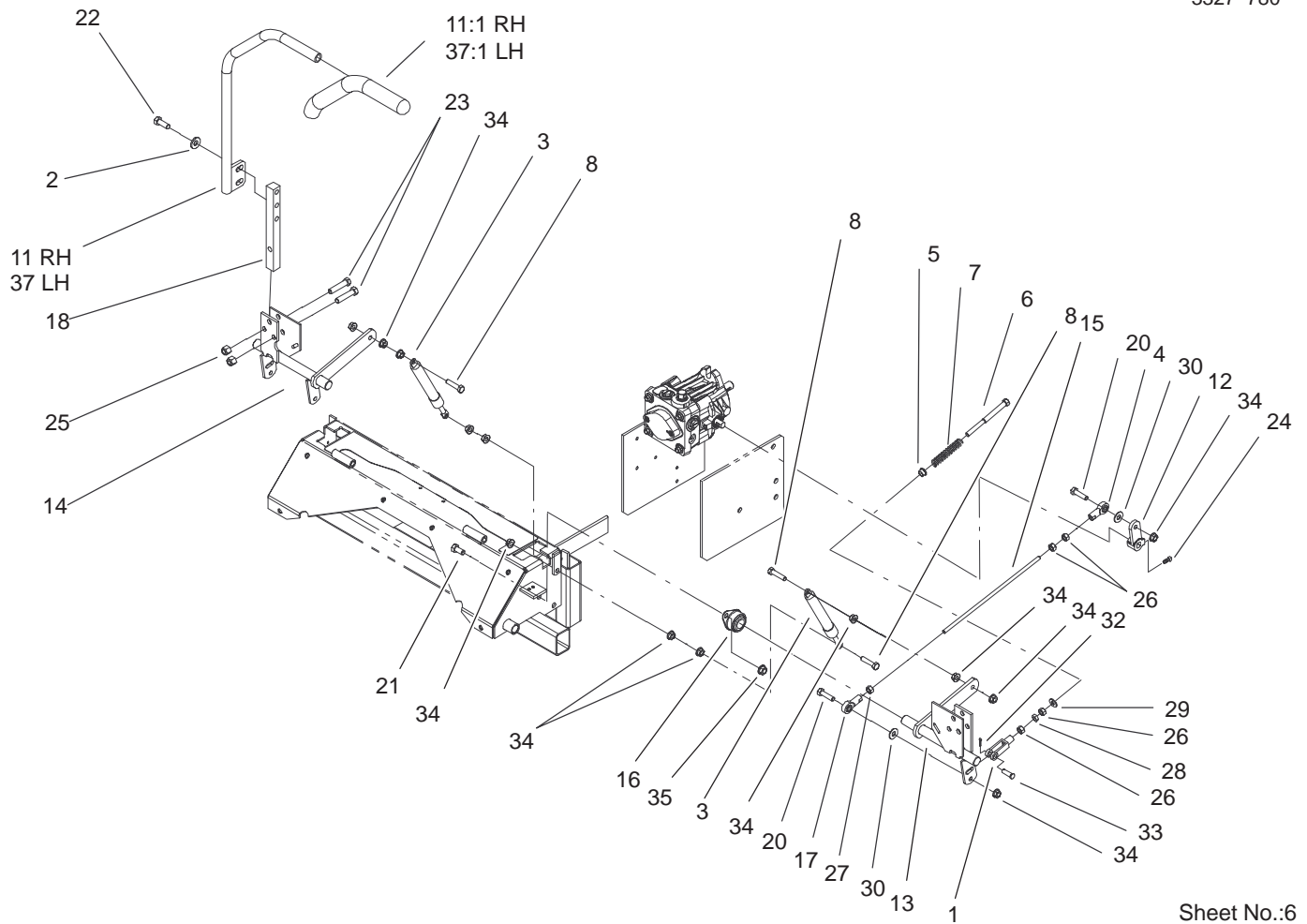


Sheet No.:5

## Brake and Wheel Hub Assembly

Ref. No.	Part No.	Qty.	Description
1	1-513140	2	Bearing-Control
2	1-633454	2	Spring-Brake
3	1-633477	3	Rod-Brake
4	1-634500	1	Brake Lever ASM
4:2	1-633268	1	Grip-Lever, Brake
5	1-632217-03	1	Shaft-Brake
6	103-0352-03	2	Bracket-Brake
7	1-523157	2	Washer-Spacer
9	103-0355	2	Band-Brake
10	1-633380	4	Spacer-Wheel, Short
11	1-633382	4	Spacer-Wheel, Long
12	1-633102	2	Bearing-Flange, Side
13	1-633131	4	Yoke-Linkage, Brake
14	1-633144	2	Pin-Trunion
15	103-0590	2	Hub-Wheel
15:1	103-0589	1	Hub-Wheel
15:2	1-633926	4	Stud-Wheel
18	323-4	4	Screw-HH
19	1-808285	4	Pin-Clevis
20	325-17	8	Screw-HH
21	1481	2	Fitting-Grease
22	103-0131	8	Nut-Square
23	3219-3	8	Nut-HH
24	3290-357	4	Nut-HHF
25	3253-7	8	Washer-Lock
26	3256-4	4	Washer-Flat

Ref. No.	Part No.	Qty.	Description
27	3272-10	7	Pin-Cotter
28	1-806800	2	Pin-Cotter
29	322-9	6	Screw-HH
30	103-0384	6	Spacer
31	103-0374	2	Retainer-Band, Brake

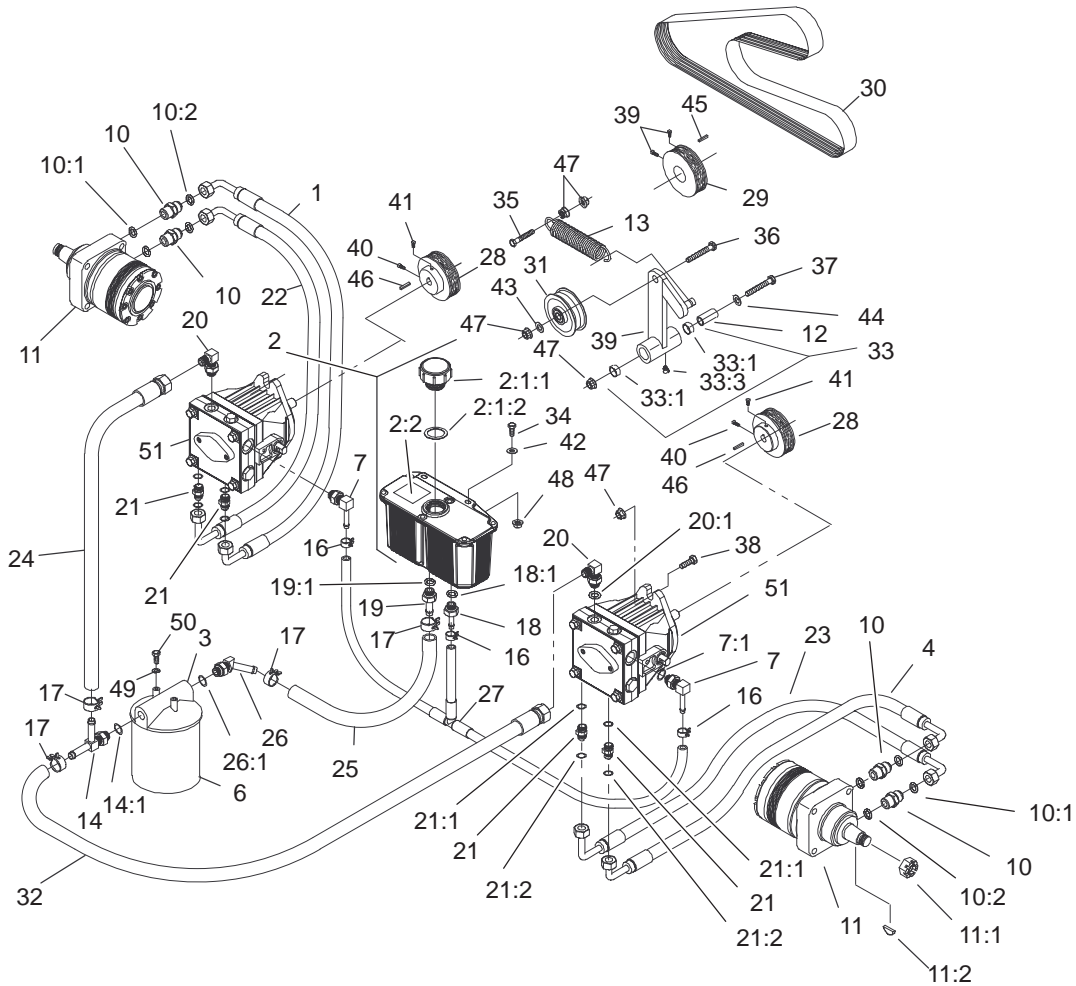


Sheet No.:6

## Steering Control Assembly

Ref. No.	Part No.	Qty.	Description
1	1-303105	2	Yoke-Adjustable
2	98-5975	4	Washer-Belleville
3	1-523027	2	Damper-Control
4	1-543017	2	Balljoint-RH
5	1-603735	2	Bushing-Flanged
6	1-603737	2	Bolt-Return, Neutral
7	1-603807	2	Spring-Return, Neutral
8	1-403180	4	Screw-HH
11	103-0632	1	RH Lever ASM
11:1	1-633257	1	Grip-Control, Motion
12	1-632208	2	Arm-Control, Pump
13	1-642319	1	Control-Motion, LH
14	1-642320	1	Control-Motion, RH
15	1-633153	2	Linkage-Pump/Lever
16	1-633102	4	Bearing-Flange, Side
17	1-633152	2	Balljoint-Thread, LH
18	103-0407	2	Arm-Shaft, Control
20	322-6	4	Screw-HH
21	323-4	8	Screw-HH
22	323-6	4	Screw-HH
23	323-9	6	Screw-HH
24	1-803022	2	Screw
25	3296-39	6	Nut-Lock, NI
26	3219-2	10	Nut-Hex
27	1-804524	2	Nut

Ref. No.	Part No.	Qty.	Description
28	3220-2	2	Nut
29	3256-2	2	Washer-Flat
30	3256-3	4	Washer-Flat
32	3272-5	2	Pin-Cotter
33	1-808280	2	Pin-Clevis
34	32128-20	16	Nut-HF
35	3290-357	8	Nut-HHF
37	103-0631	1	LH Lever ASM
37:1	1-633257	1	Grip-Control, Motion



Sheet No.:7

## Hydraulic System Assembly

Ref. No.	Part No.	Qty.	Description
1	103-1764	1	Upper RH Hose ASM
2	103-1947	1	HYD Reservoir ASM
☆2:1		1	Reservoir-HYD
2:1:1	103-1948	1	Cap-HYD Reservoir
2:1:2	103-1949	1	Gasket-Cap
2:2	1-523552	1	Decal-Tank, Hydraulic
3	104-7836	1	Head-Filter
4	103-1682	1	Upper LH Hose ASM
6	1-633752	1	Filter-HYD, Winter
6	1-633750	1	Filter-HYD
7	103-1799	2	Elbow-90°
7:1	237-42	1	O-Ring
10	1-603991	4	Fitting-Straight
10:1	237-80	1	O-Ring
10:2	1-603992	1	O-Ring
11	1-523328	2	Motor-Wheel
11:1	1-809036	1	Nut-HH
11:2	3257-42	1	Key-Woodruff
*11:99	103-2748	1	Kit-Link, Drive
*11:99	1-000139	1	Kit-Bearing
*11:99	1-000099	1	Kit-Seal
12	1-603384	1	Bushing-Pivot, Idler
13	1-633151	1	Spring-Extension
14	103-1828	1	Adapter-Run, Tee
14:1	237-42	1	O-Ring
16	103-1716	3	Clamp-Hose

Ref. No.	Part No.	Qty.	Description
17	103-1988	4	Clamp-Hose
18	103-1801	1	Adapter-Straight
18:1	237-42	1	O-Ring
19	103-1912	1	Adapter-Straight
19:1	237-42	1	O-Ring
20	103-1802	2	Elbow-90°
20:1	237-42	1	O-Ring
21	1-603990	4	Fitting-Straight
21:1	237-79	1	O-Ring
21:2	1-603992	1	O-Ring
22	103-1765	1	Lower RH Hose ASM
23	103-1683	1	Lower LH Hose ASM
24	103-1826	1	HYD Hose ASM
25	103-1808	1	Hose-HYD
26	103-1807	1	Elbow-45°
26:1	237-42	1	O-Ring
27	103-1806	1	HYD Hose ASM
28	1-633568	2	Sheave
29	1-633567	1	Sheave
30	1-633749	1	Belt-Drive, Pump
31	1-633167	1	Sheave-Idler
32	103-1827	1	HYD Hose ASM
33	1-634277	1	Bearing Arm ASM
33:1	1-513034	2	Sleeve-Bearing
33:3	302-40	1	Fitting-Grease
34	321-6	2	Screw-HH

☆ Not serviced separately

\* Not illustrated



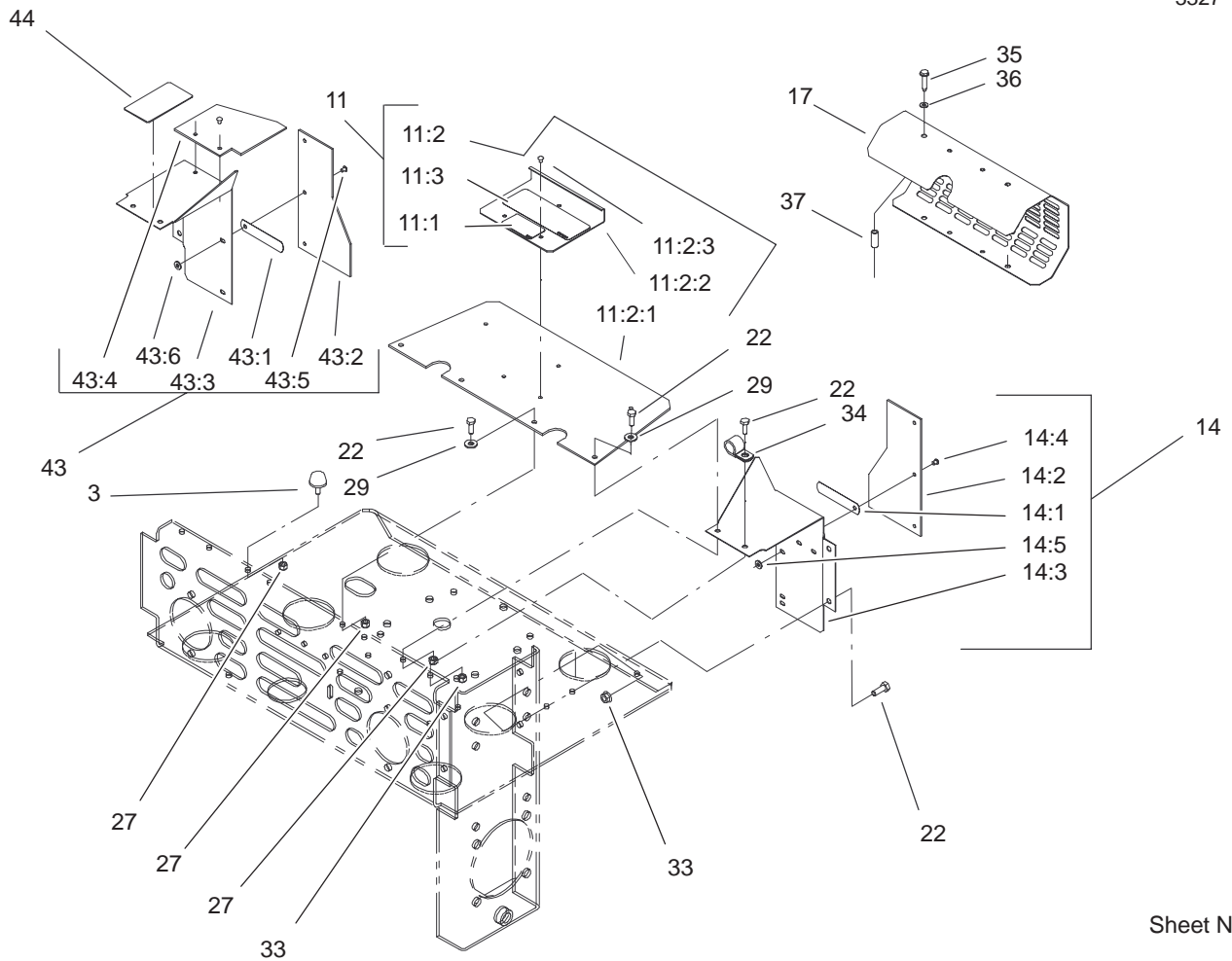












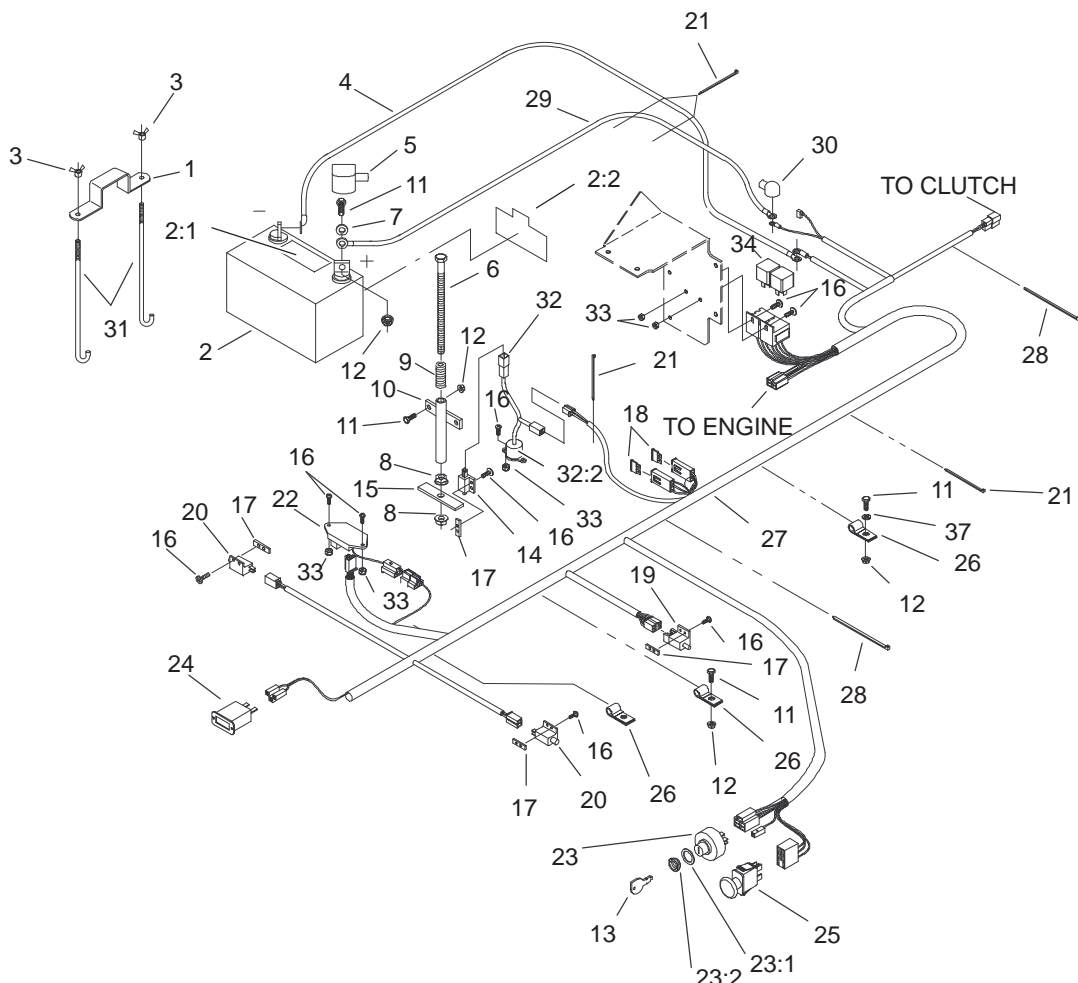
Sheet No.:13

### Shield Assembly

Ref. No.	Part No.	Qty.	Description
3	1-523420	2	Bumper
11	1-644276	1	Shield ASM
11:1	1-633462	1	Decal-Important
11:2	1-634308	1	Shield/Lift ASM
11:2:1	103-1308	1	Shield-Engine
11:2:2	1-633300-03	1	Lift-Shield
11:2:3	1-803035	3	Rivet-Pop
11:3	103-0368	1	Decal-Devices, Rotating
14	1-634796	1	LH Shield ASM
14:1	1-523285	1	Clip-Baffle, Rear
14:2	1-633301	1	Shield-Engine
14:3	1-633795-03	1	Baffle-Engine Shield, LH
14:4	1-803035	3	Rivet-Pop
14:5	3256-63	3	Washer-Flat
17	1-643313-03	1	Guard-Muffler
22	321-4	10	Screw-HH
27	3296-42	6	Nut-Lock, NI
29	3256-2	4	Washer-Flat
33	32128-33	5	Nut-HF
34	1-633396	1	Clip-Loom
35	1-809076	2	Screw
36	1-323235	2	Washer-Spring
37	1-323236	2	Spacer
43	1-644316	1	RH Shield ASM

Ref. No.	Part No.	Qty.	Description
43:1	1-523285	1	Clip-Baffle, Rear
43:2	1-633301	1	Shield-Engine
43:3	1-633794-03	1	Baffle-Engine Shield, RH
43:4	1-643315	1	Baffle-Cooler, Engine
43:5	1-803035	5	Rivet-Pop
43:6	3256-63	5	Washer-Flat
44	1-643339	1	Decal-Routing, Belt





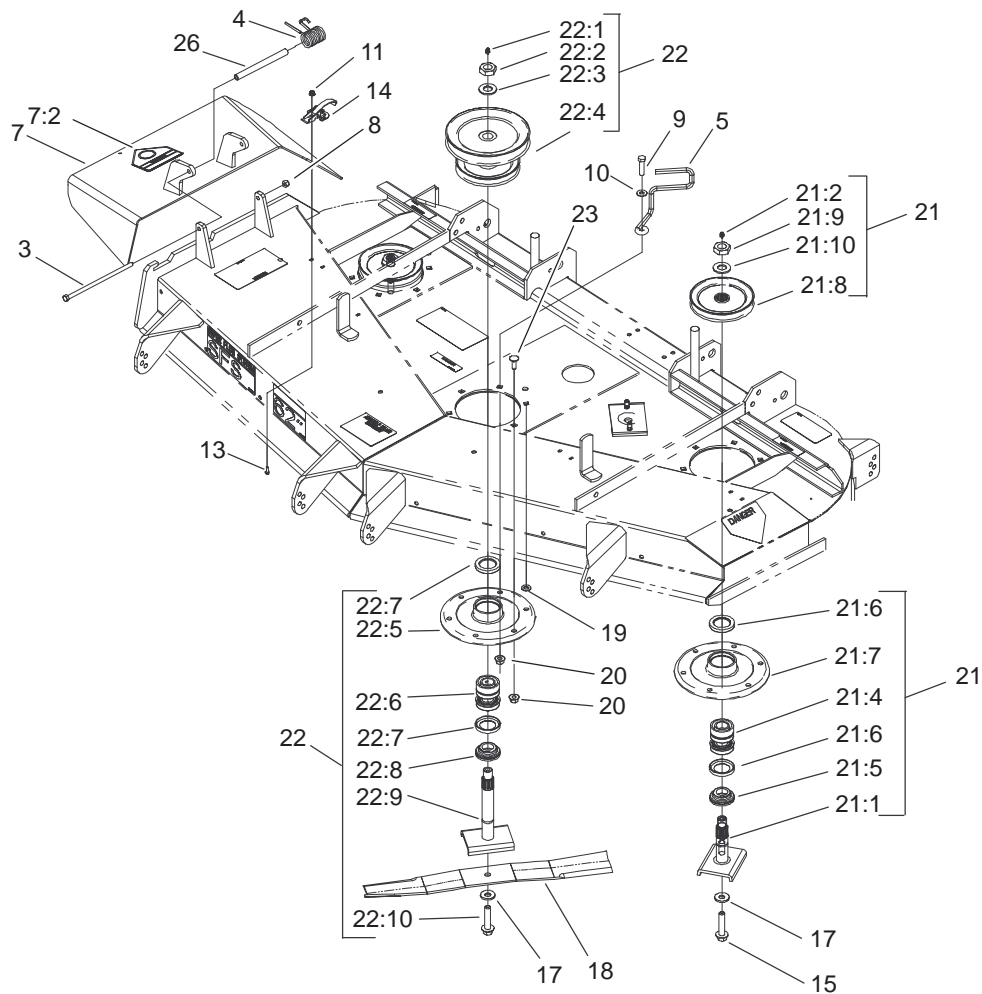
Sheet No.:27

## Electrical System Assembly

Ref. No.	Part No.	Qty.	Description
1	1-633652-03	1	Strap-Holddown, Battery
2	105-1692	1	Battery
2:1	104-4163	1	Decal-Battery
2:2	104-4164	1	Decal-Battery
3	1-543792	2	Wingnut
4	1-633307	1	Wire-Ground
5	1-543391	1	Insulator-Battery
6	1-800282	1	Screw-HH
7	3256-2	2	Washer-Flat
8	32128-20	2	Nut-HF
9	1-523415	1	Spring-Switch, Seat
10	1-522424-03	1	Mount-Spring, Seat
11	321-4	6	Screw-HH
12	32128-33	6	Nut-HF
13	63-8360	2	Key-Ignition
14	1-513152	1	Switch-Closed, Normally
15	1-513180	1	Plate-Switch, Seat
16	3290-500	14	Screw-PPH
17	1-633181	4	Plate-Tapped
18	1-816001	2	Fuse-Type, Blade
19	1-633111	1	Switch
20	1-513051	2	Switch-Open, Normally
21	1-303287	5	Tie-Plastic

Ref. No.	Part No.	Qty.	Description
22	100-6186	1	Module-Delay, Seat
23	88-9830	1	Key Switch ASM
23:1	3254-5	1	Washer-Lock, Internal
23:2	218-461	1	Nut-HH
24	1-513374	1	Meter-Hour
25	1-633673	1	Switch-Delta
26	1-633396	3	Clip-Loom
27	100-4340	1	Harness-Wire
28	1-303335	2	Tie-Plastic
29	1-523281	1	Wire-Starter
30	1-543393	1	Insulator-Solenoid
31	1-633651	2	Bolt-Holddown
32	1-644427	1	Tilt Switch ASM
32:2	1-643401	1	Decal-Switch, Mercury
33	3296-2	6	Nut-Lock
34	1-643275	2	Relay
37	3256-22	1	Washer-Flat



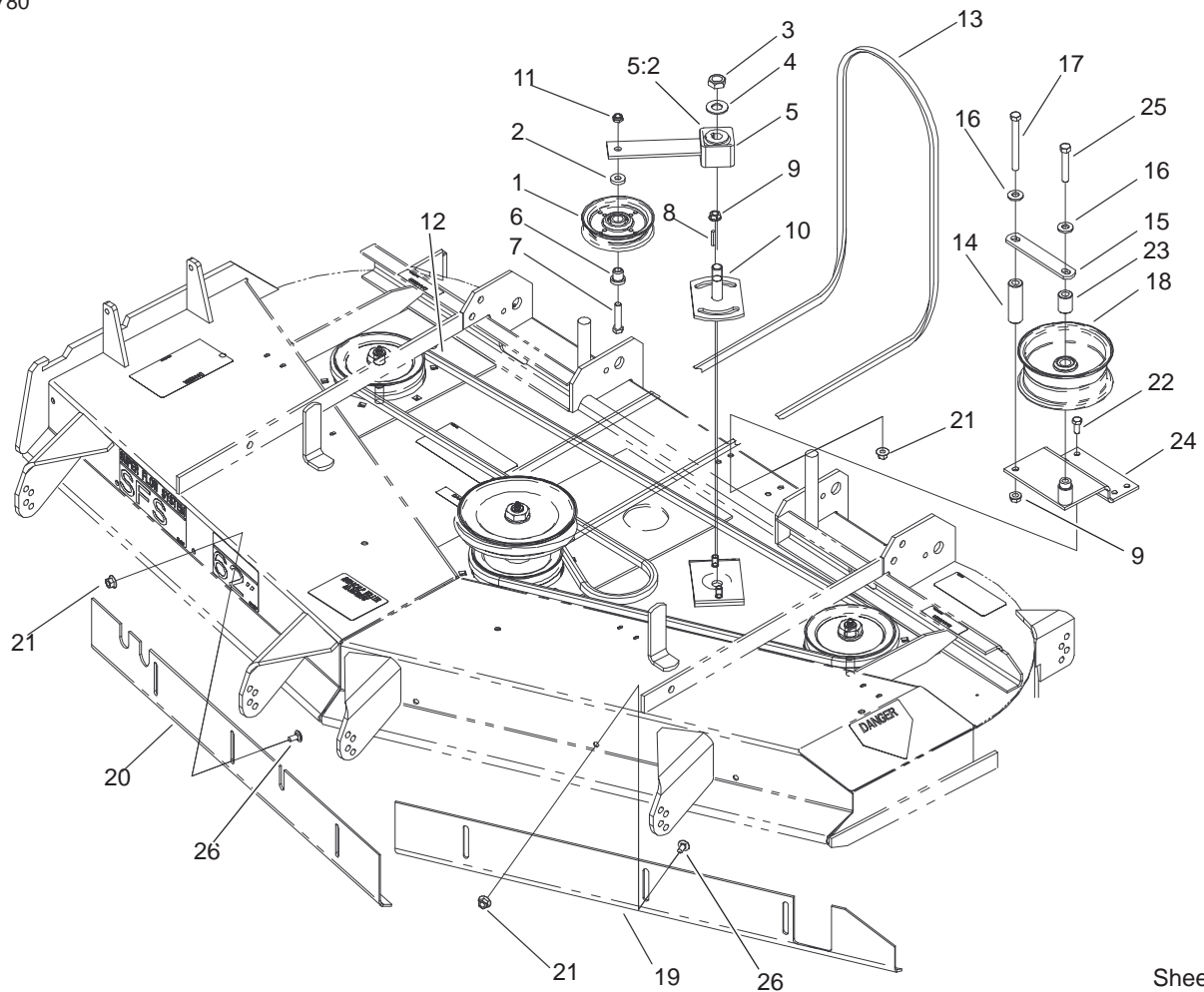


Sheet No.:62

## Spindle and Pulley Assembly

Ref. No.	Part No.	Qty.	Description
3	322-50	1	Screw-Cap
4	104-8554	1	Spring-Torsion
5	99-8933	1	Guide-Belt
7	105-3605	1	Deflector ASM
7:2	54-9220	1	Decal-Danger
8	3296-29	1	Nut-Lock, NI
9	323-8	1	Screw-HH
10	3256-3	1	Washer-Flat
11	32128-17	8	Nut-Lock, Flange
13	3290-321	8	Screw-HWH
14	249-21	4	Clamp-Slotted
15	92-5816	2	Bolt-Blade
17	1-513435	3	Washer-Spring
18	44-6250	3	Blade
19	3256-24	1	Washer-Flat
20	32128-21	18	Nut-HF
21	99-4640	2	Outer Spindle ASM
21:1	27-0920	1	Shaft-Spindle
21:2	302-2	1	Fitting-Grease
21:4	46-8530	1	Bearing ASM
21:5	27-0950	1	Spacer-Bearing, Spindle
21:6	253-139	2	Seal-Oil
21:7	61-4160	1	Housing-Spindle
21:8	99-4614	1	Pulley & Hub
21:9	32146-20	1	Nut-Jam

Ref. No.	Part No.	Qty.	Description
21:10	7-4150	1	Washer-Pinion
22	105-1688	1	Spindle Housing ASM
22:1	302-2	1	Fitting-Grease
22:2	32146-20	1	Nut-Jam
22:3	92-5836	1	Washer-Axle
22:4	99-4939	1	Pulley & Hub ASM
22:5	61-4160	1	Housing-Spindle
22:6	46-8530	1	Bearing ASM
22:7	253-139	2	Seal-Oil
22:8	27-0950	1	Spacer-Bearing, Spindle
22:9	105-1686	1	Spindle Shaft ASM
22:10	92-5816	1	Bolt-Blade
23	3231-22	17	Screw-CARR
26	105-4622	1	Spacer-Mounting, Deflector



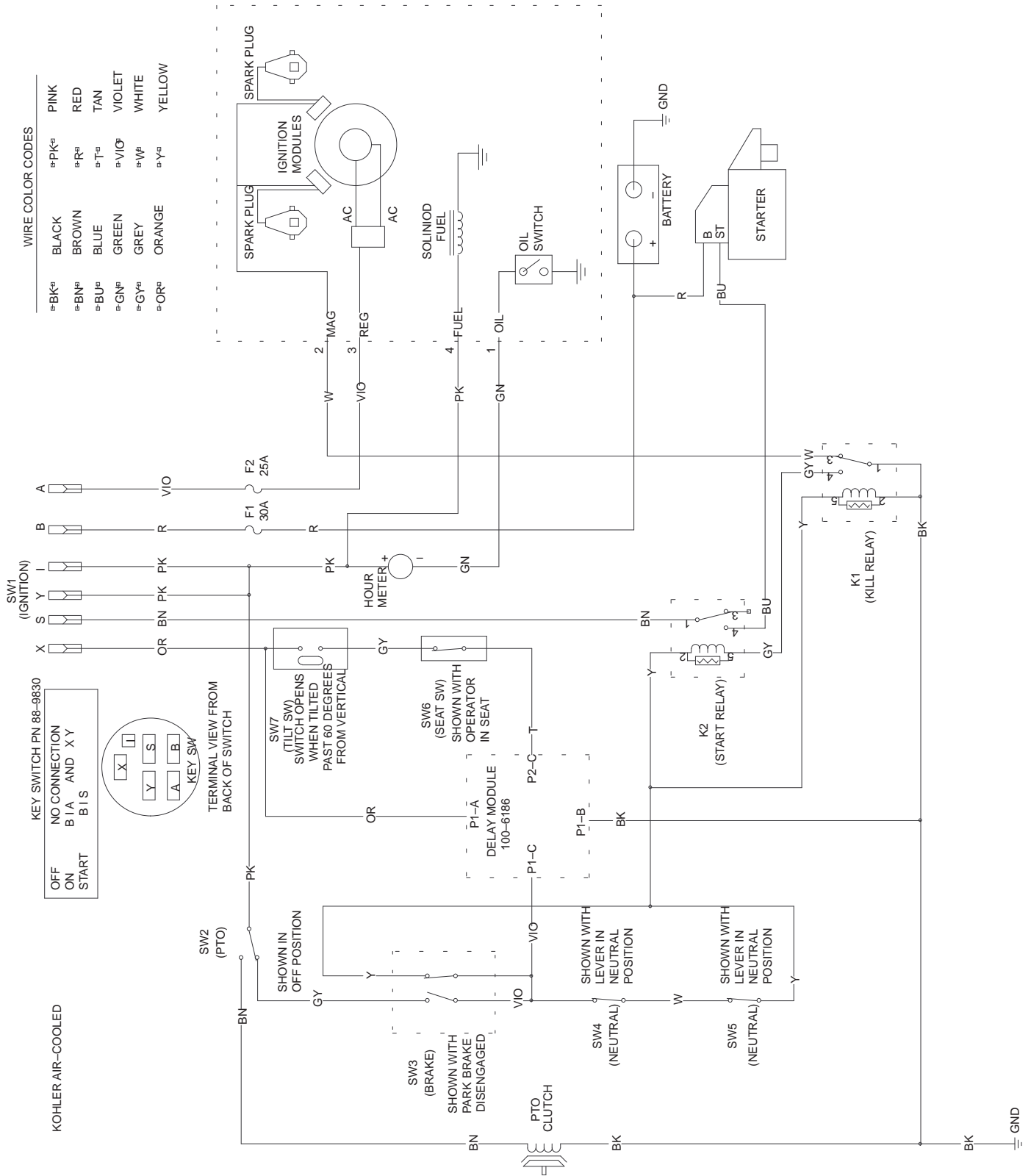
Sheet No.:63

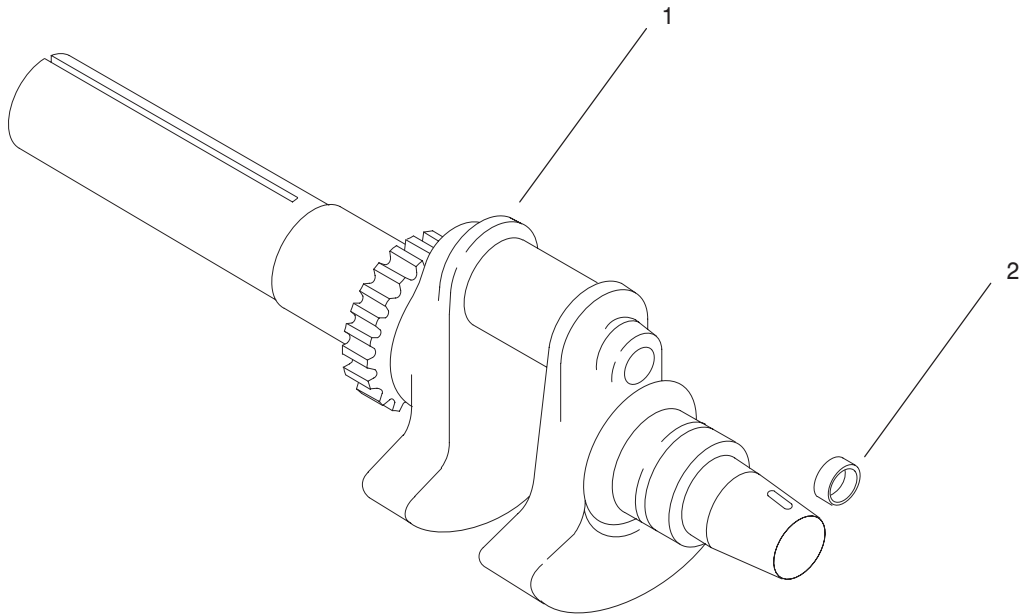
## Belt and Idler Arm Assembly

Ref. No.	Part No.	Qty.	Description
1	65-5940	1	Pulley-Idler
2	7-0081	1	Washer-Flat
3	3296-71	1	Nut-Lock NI
4	3256-27	1	Washer-Flat
5	27-8580	1	Idler Socket & Bushing ASM
5:2	27-8490	1	Bushing-Rubber, Idler
6	65-5950	1	Bushing-Pulley
7	3211-8	1	Screw-HH
8	5-1077	1	Key-Square
9	3290-357	3	Nut-HHF
10	44-6301	1	Plate-Idler, LH
11	3296-5	1	Nut-Lock, NI
12	44-6260	1	V-Belt
13	99-4647	1	V-Belt-Drive, Deck
14	99-4659	1	Spacer-Bracket
15	1-653189	1	Plate-Guide, Belt
16	98-5975	2	Washer-Belleville
17	323-42	1	Screw-HH
18	1-413099	1	Pulley-Idler
19	99-2833-03	1	Baffle-Front, LH
20	99-2834-03	1	Baffle-Front, RH
21	32128-20	10	Nut-HF
22	322-3	4	Screw-HH
23	1-653190	1	Spacer
24	99-4684-01	1	Bracket-Pulley

Ref. No.	Part No.	Qty.	Description
25	323-11	1	Screw-HH
26	3230-18	6	Screw-CARR

# Electrical Schematic



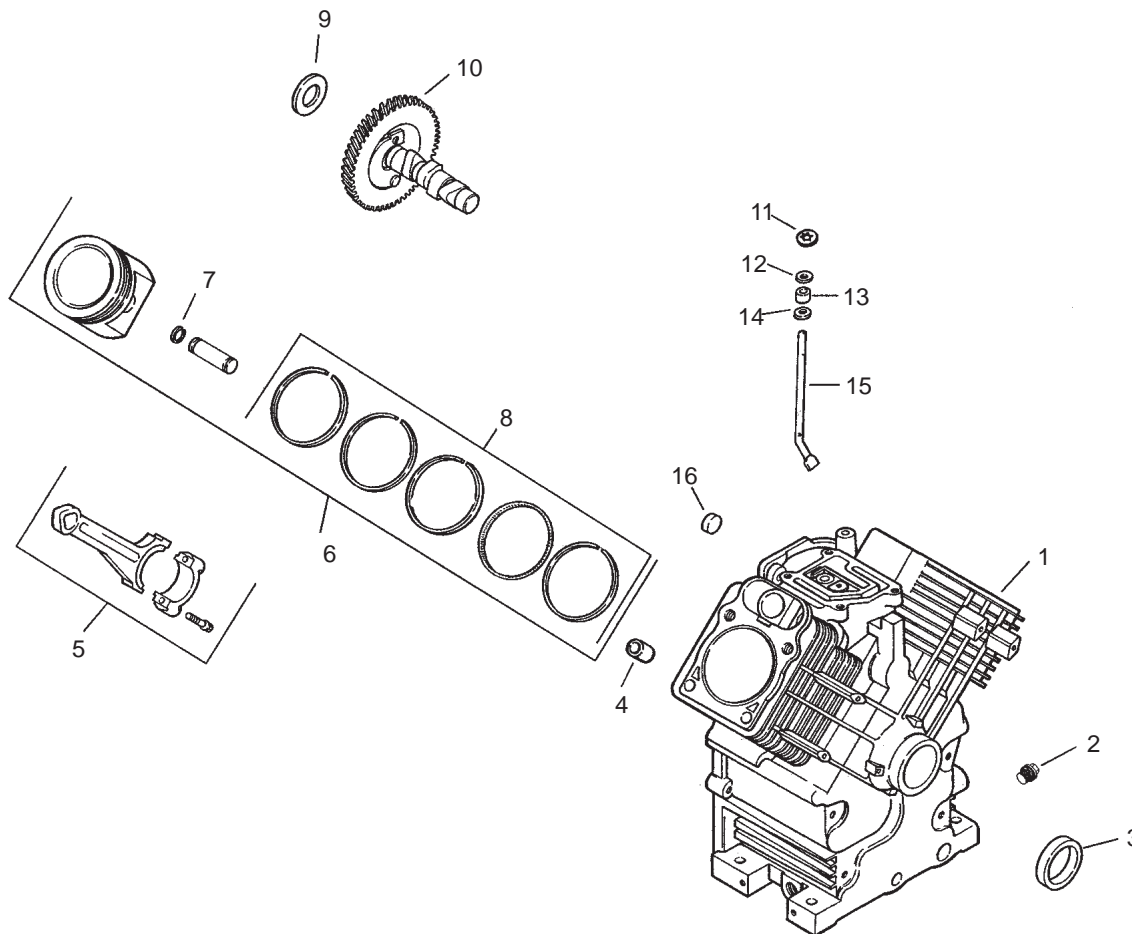


## Crankshaft Assembly – Group 1 Kohler CH23S-76550

Ref. No.	Part No.	Qty.	Description
1	24 014 84-S	1	Crankshaft assembly (Includes 2)
2	52 139 09-S	1	Plug, cup

Ref. No.	Part No.	Qty.	Description

Obtain parts from Kohler

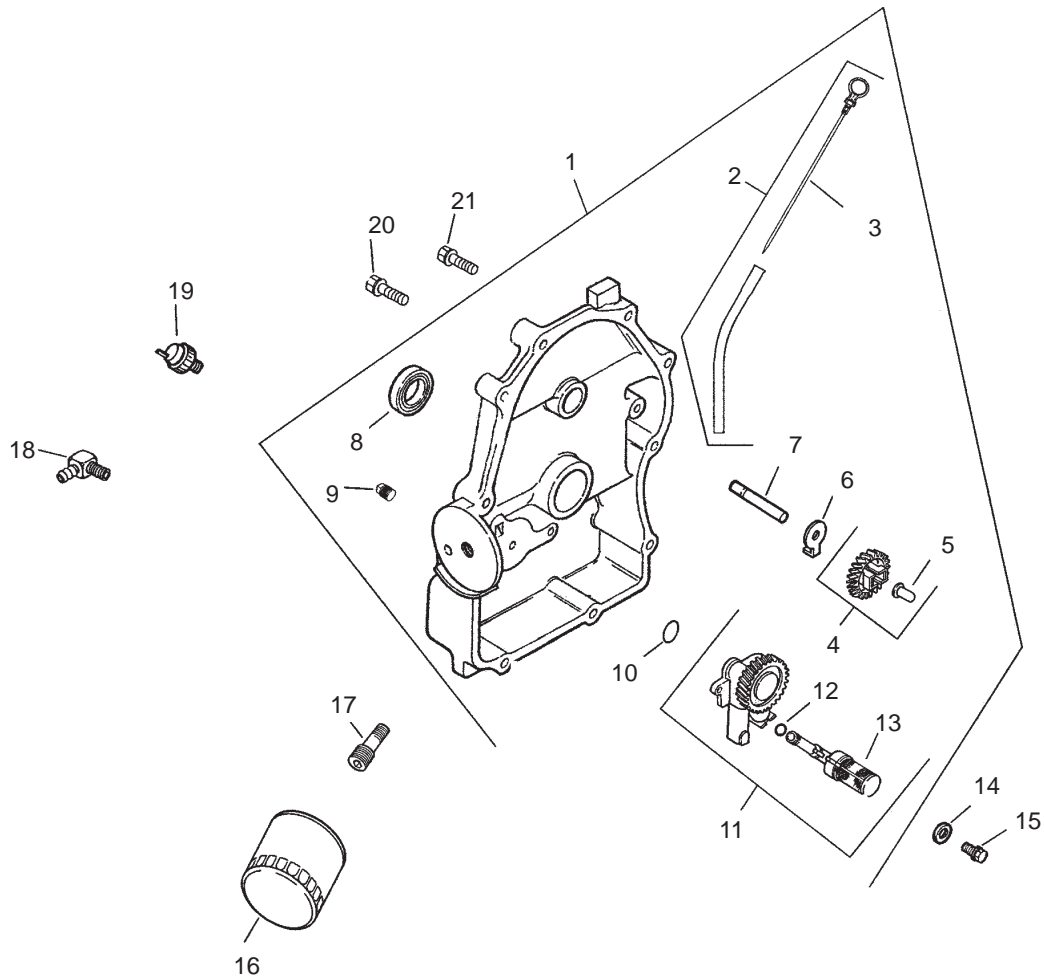


## Crankcase Assembly – Group 2 Kohler CH23S-76550

Ref. No.	Part No.	Qty.	Description
1		1	Crankcase (USE: Short Block or Miniblock)
2	25 139 57-S	2	Plug, solid sq. hd. 3/8" N.P.T.F.
3	24 032 01-S	1	Seal, oil front
4	24 380 13-S	6	Pin, locating
5	24 067 13-S	2	Connecting Rod (Std.)
	24 067 14-S	2	Connecting Rod (.25)
6	24 874 09-S	2	Piston w/Ring Set (Std.) (Includes 7, 8)
	24 874 10-S	2	Piston w/Ring Set (.25) (Includes 7, 8)
	24 874 11-S	2	Piston w/Ring Set (.50) (Includes 7, 8)
	24 874 15-S	2	Piston w/Ring Set (.080) (Includes 7, 8)
7	24 018 01-S	4	Retainer, piston pin
8	24 108 08-S	2	Ring Set (Std.)
	24 108 09-S	2	Ring Set (.25)
	24 108 10-S	2	Ring Set (.50)
9	12 422 09-S	A/R	Shim, camshaft
	12 422 13-S	A/R	Shim, camshaft
	12 422 07-S	A/R	Shim, camshaft
	12 422 08-S	A/R	Shim, camshaft

Ref. No.	Part No.	Qty.	Description
	12 422 10-S	1	Shim, camshaft
	12 422 11-S	A/R	Shim, camshaft
	12 422 12-S	A/R	Shim, camshaft
10	24 012 10-S	1	Camshaft
11	24 018 09-S	1	Ring, retainer
12	M-931010-S	1	Washer, nylon (top)
13	28 032 09-S	1	Seal, governor cross shaft
14	24 468 15-S	1	Washer, (bottom)
15	24 144 33-S	1	Shaft, governor cross
16	52 139 09-S	1	Plug, cup

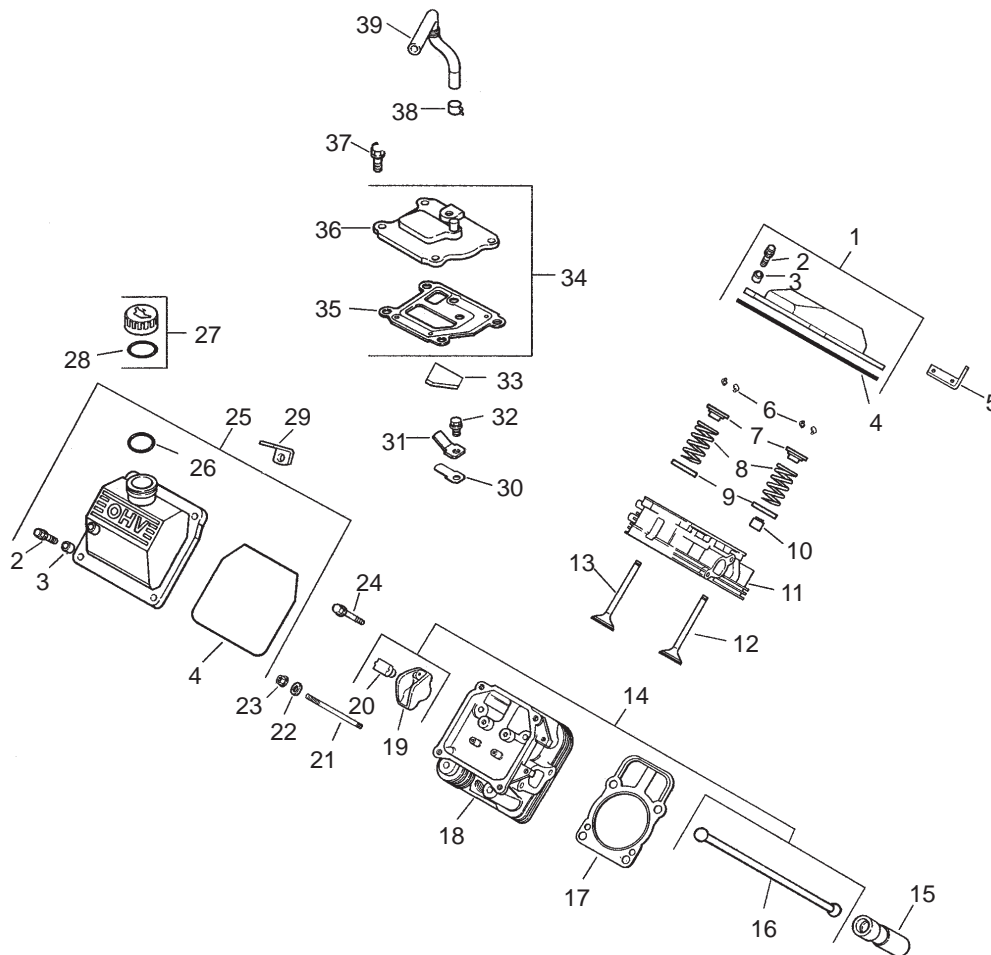
Obtain parts from Kohler



## Oil Pan/Lubrication Assembly – Group 3 Kohler CH23S-76550

Ref. No.	Part No.	Qty.	Description	Ref. No.	Part No.	Qty.	Description
1	24 009 83-S	1	Kit, closure plate (Includes 2-13)	18	25 155 02-S	1	Connector
2	24 755 121-S	1	Kit, dipstick & tube (Includes 3)	19	24 099 03-S	1	Switch, oil pressure
3	24 038 10-S	1	Dipstick	20	24 086 16-S	9	Screw, hex. flange M8x1.25x45
4	24 043 12-S	1	Kit, governor gear w/pin (Includes 5)	21	24 086 17-S	1	Screw, hex. flange M8x1.25x45
5	12 380 01-S	1	Pin, governor regulating				
6	52 448 02-S	1	Tab, locking				
7	12 144 02-S	1	Shaft, governor gear				
8	52 032 08-S	1	Seal, oil (PTO end)				
9	25 139 60-S	2	Plug, allen hd. 1/8" pipe				
10	24 153 08-S	1	O-Ring				
11	24 393 10-S	1	Oil pump assembly (Includes 12, 13)				
12	24 153 01-S	1	O-Ring, oil pick-up				
13	24 381 04-S	1	Pick-up, oil				
14	M-631005-S	2	Washer, plain 6 mm				
15	M-645025-S	2	Screw, hex. flange M6x1.0x25				
16	52 050 02-S	1	Filter, oil				
17	24 136 01-S	1	Nipple, oil filter				

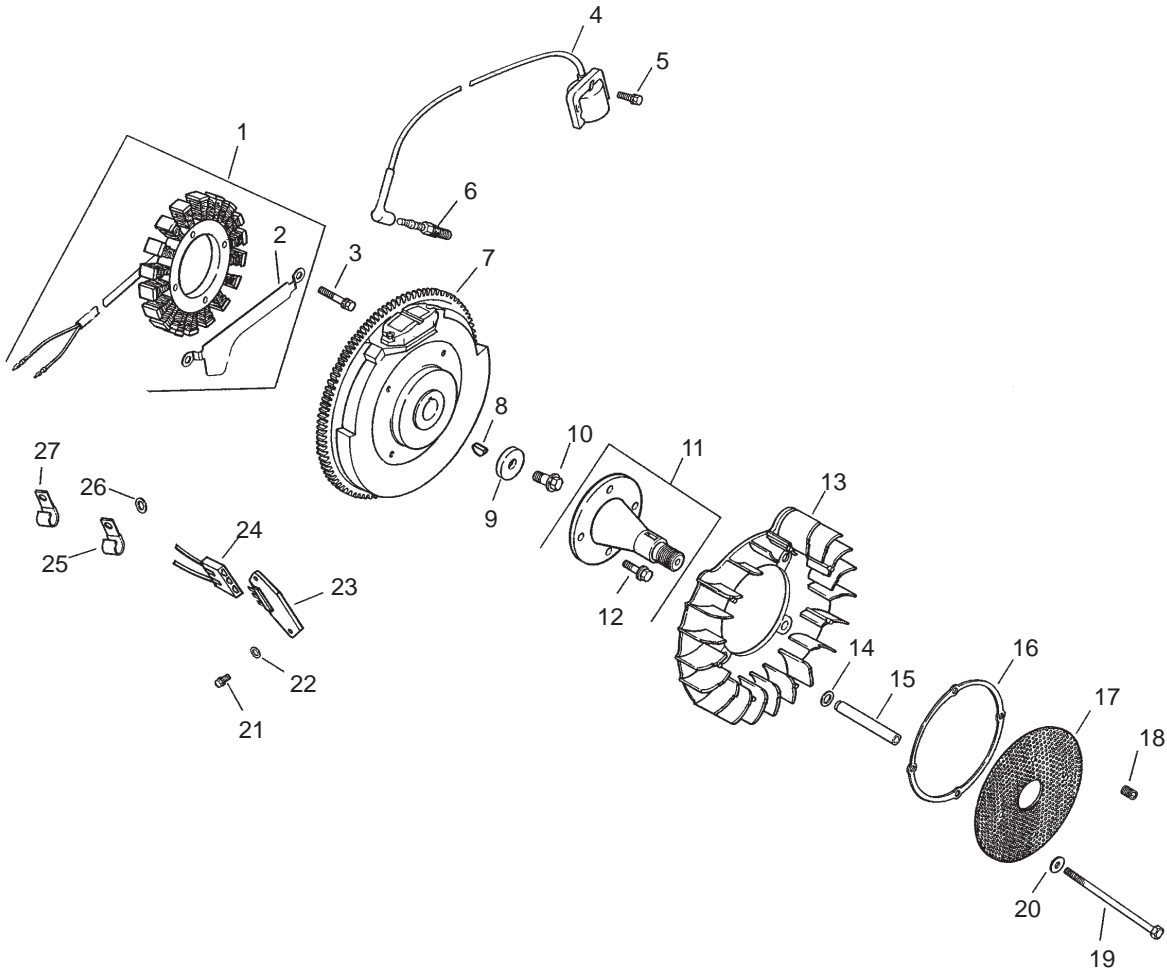
Obtain parts from Kohler



## Head/Valve/Breather Assembly – Group 4 Kohler CH23S-76550

Ref. No.	Part No.	Qty.	Description	Ref. No.	Part No.	Qty.	Description
1	24 755 74-S	1	Kit, valve cover – plain (Includes 2-4)	20	24 599 01-S	4	Pivot, rocker arm
2	M-651030-S	4	Screw, hex. flange M6x1.0x30	21	24 072 09-S	8	Stud M10x1.5x90
3	24 112 08-S	4	Spacer	22	24 468 16-S	8	Washer, flat
4	24 153 16-S	1	O-Ring	23	24 100 10-S	8	Nut, hex. flg M8x1.25
5	24 445 01-S	1	Strap, lifting	24	M-640034-S	4	Screw, hex. M6x1.0x34
6	12 755 03-S	4	Kit, retainer	25	24 755 75-S	1	Kit, valve cover – oil fill (Includes 2-4, 26)
7	12 173 01-S	4	Cap, valve spring	26	24 153 09-S	1	O-Ring
8	24 089 02-S	4	Spring, valve	27	24 755 46-S	1	Kit, oil fill cap (Incl. 28)
9	235011-S	4	Retainer, spring	28	12 153 03-S	1	O-Ring, oil fill cap
10	66 032 05-S	2	Seal, valve stem	29	12 445 05-S	1	Strap, lifting
11	24 318 68-S	1	Head asm, #1 cylinder	30	24 402 03-S	1	Reed, breather
12	24 017 01-S	2	Valve, intake (Std.)	31	12 018 01-S	1	Retainer, breather reed
	24 017 02-S	2	Valve, intake (.25)	32	M-545010-S	1	Screw, hex. flange M5x0.8x10
13	24 016 01-S	2	Valve, exhaust (Std.)	33	24 050 01-S	1	Filter, breather
	24 016 02-S	2	Valve, exhaust (.25)	34	24 033 01-S	1	Kit, breather (Includes 35, 36)
14	24 755 66-S	1	Kit, valve train (Includes 16, 19, 20)	35	24 041 23-S	1	Gasket, breather
15	25 351 01-S	4	Lifter, valve	36	24 096 58-S	1	Cover, breather
16	24 411 05-S	4	Rod, push	37	M-645020-S	4	Screw, hex. flange M6x1.0x20
17	24 041 40-S	2	Gasket, cylinder head	38	25 237 08-S	1	Clamp, breather
18	24 318 71-S	1	Head asm, #2 cylinder	39	24 326 31-S	1	Hose, breather
19	25 186 01-S	4	Arm, rocker				

Obtain parts from Kohler

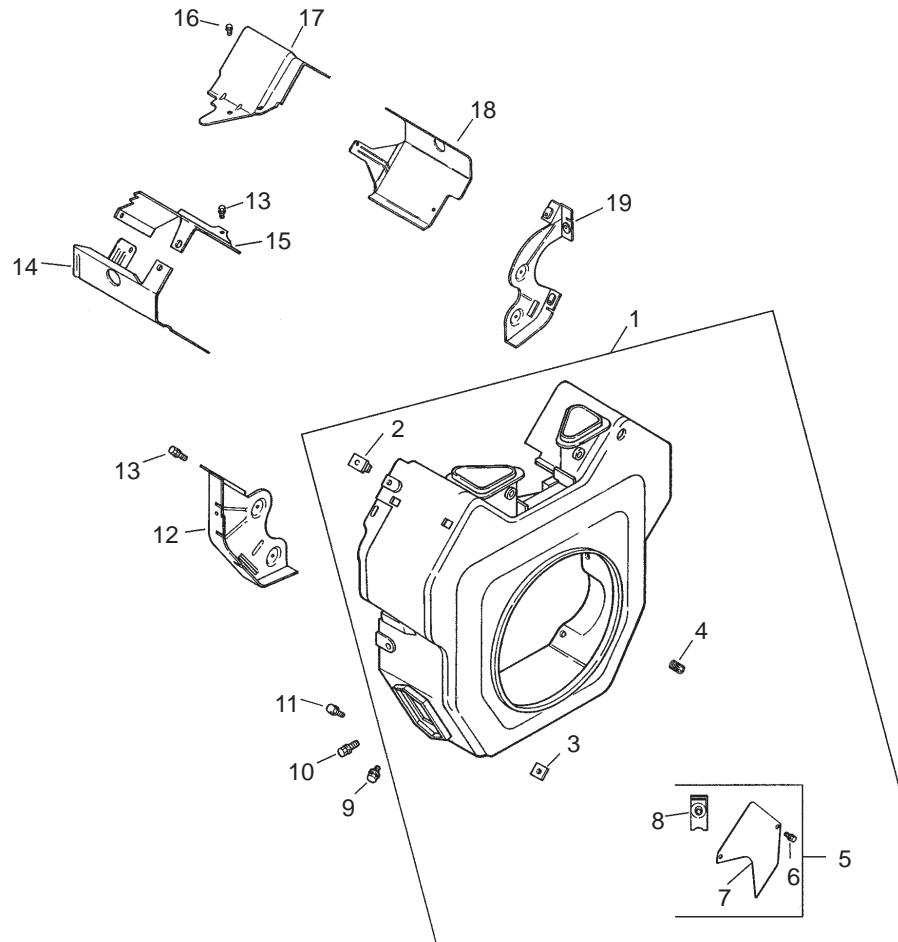


## Ignition/Electrical Assembly – Group 5 Kohler CH23S-76550

Ref. No.	Part No.	Qty.	Description
1	54 755 09-S	1	Kit, 15 amp stator (Includes 2)
2	24 126 71-S	1	Bracket, stator wire
3	M-548025-S	2	Screw, hex. cap M5x0.8x25
4	24 584 01-S	2	Module, ignition
5	M-545020-S	4	Screw, hex. flange thread forming, M5x0.8x25
6	12 132 06-S	2	Spark Plug
7	24 025 01-S	1	Flywheel
8	X-42-15-S	1	Key
9	12 468 03-S	1	Washer, plain 3/8"
10	12 086 14-S	1	Screw, hex. flange M10x1.5x46
11	24 755 08-S	1	Kit, front drive shaft (Includes 12)
12	M-839025-S	4	Screw, hex. flange M8x1.25x25
13	24 157 03-S	1	Fan
14	24 468 11-S	4	Washer, spring
15	24 112 14-S	4	Spacer
16	24 141 06-S	1	Support, ring
17	24 162 22-S	1	Screen, grass

Ref. No.	Part No.	Qty.	Description
18	25 086 43-S	1	Screw, set
19	M-603100-S	4	Screw, hex. cap M6x1.0x100
20	X-25-53-S	4	Washer, plain 1/4"
21	24 086 18-S	2	Screw, phillips hd. 11-16x7/8
22	X-25-92-S	2	Washer, plain 3/16"
23	25 403 03-S	1	Rectifier-regulator 15 amp
24	236602-S	1	Connector
25	235173-S	1	Clip, cable (clamps wires to intake manifold)
26	X-25-63-S	1	Washer, plain 1/4"
27	48 154 02-S	1	Clip, cable (B+ lead) <b>NOT ILLUSTRATED</b>
	X-22-11-S	1	Washer, lock 1/4"
	24 176 07-S	1	Harness, wiring
	24 518 12-S	1	Lead, black (5" -12" gauge - insulated grip barrel eyelet terminals)
	25 454 03-S	2	Tie

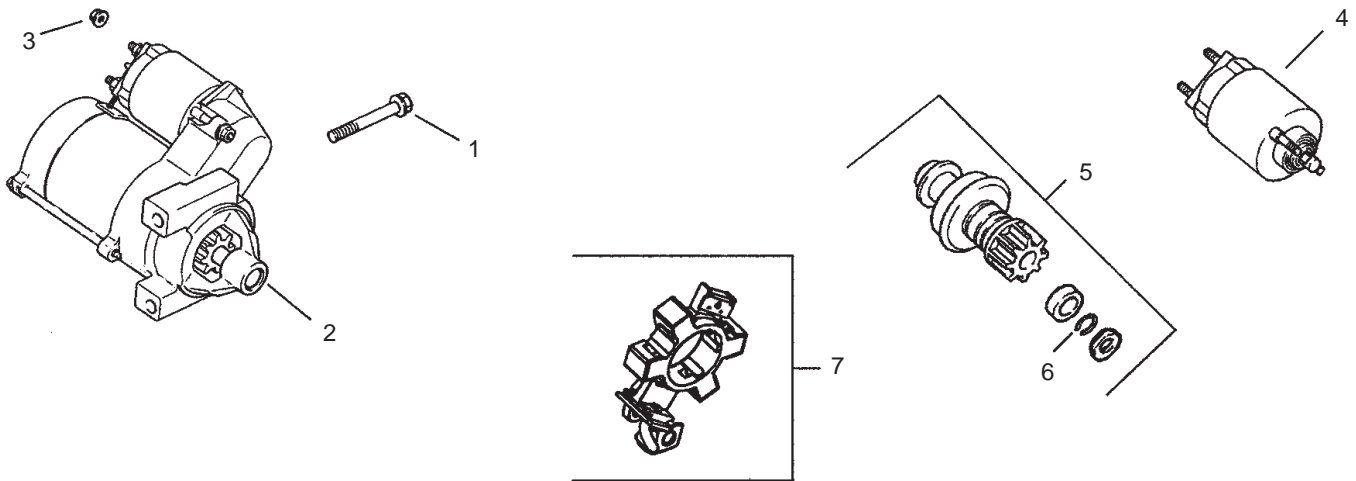
Obtain parts from Kohler



## Blower Housing and Baffle Assembly – Group 6 Kohler CH23S-76550

Ref. No.	Part No.	Qty.	Description	Ref. No.	Part No.	Qty.	Description
1	54 027 98-S	1	Housing, blower asm (Includes 2-8)	16	M-545010-S	2	Screw, hex. flange M5x0.8x10
2	24 100 01-S	3	Nut, plastic	17	24 063 24-S	1	Baffle, valley #1 side
3	24 100 02-S	2	Nut, plastic	18	24 063 58-S	1	Baffle, cylinder barrel #1 side
4	25 086 43-S	1	Screw, set	19	24 146 20-S	1	Plate, backing #1 side
5	25 755 21-S	1	Kit, access panel (Includes 6-8)		24 146 33-S	1	Plate, HP
6	M-645016-S	4	Screw, hex. flange M6x1.0x16				
7	24 096 64-S	2	Cover, access				
8	25 154 02-S	4	Clip				
9	M-551016-S	1	Screw, hex. flange M5x0.8x16				
10	M-545016-S	3	Screw, hex flange M5x0.8x16				
11	M-545020-S	4	Screw, hex flange M5x0.8x20				
12	24 146 16-S	1	Plate, backing #2 side				
13	M-645016-S	10	Screw, hex. flange M6x1.0x16				
14	24 063 20-S	1	Baffle, cylinder barrel #2 side				
15	24 063 17-S	1	Baffle, valley #2 side				

Obtain parts from Kohler

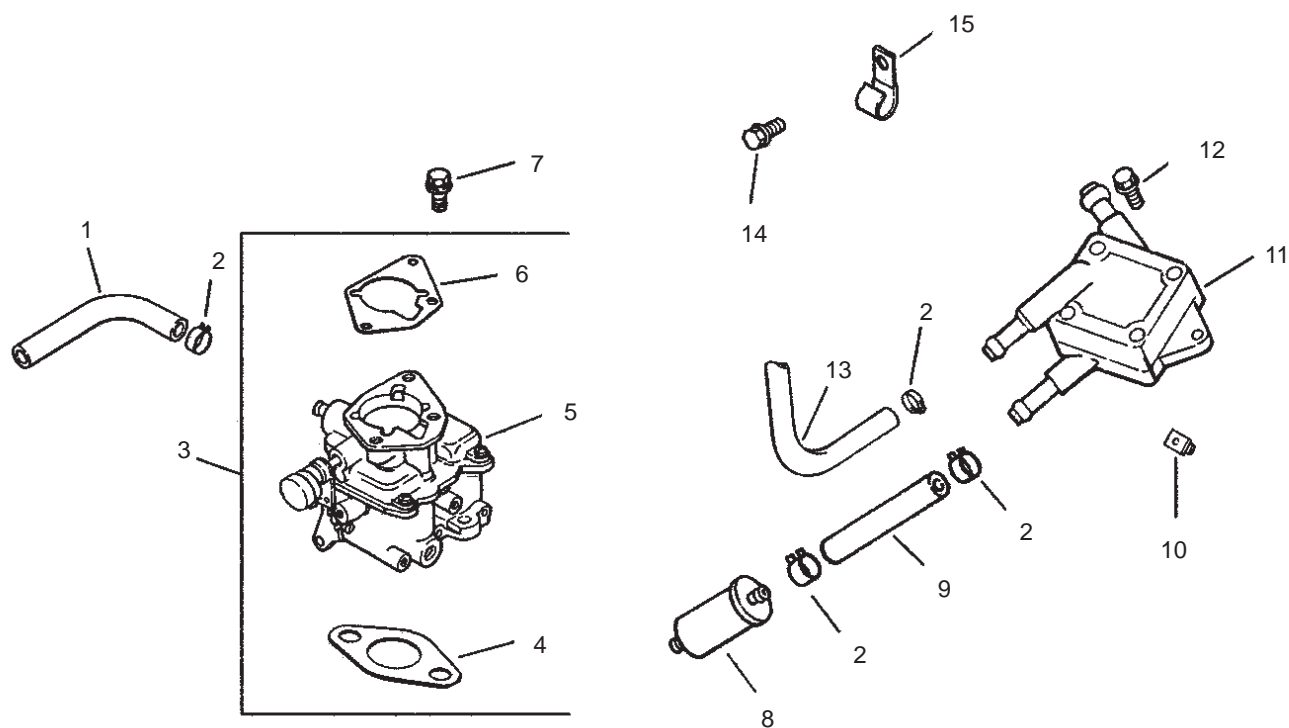


## Starting System Assembly – Group 7 Kohler CH23S-76550

Ref. No.	Part No.	Qty.	Description
1	M-839080-S	2	Screw, hex. flange M8x1.25x80
2	25 098 08-S	1	Starter, solenoid shift asm (Includes 4-7)
3	M-841080-S	1	Nut, hex. flange M8x1.25
4	25 435 04-S	1	Kit, solenoid
5	25 755 33-S	1	Kit, pinion drive (Includes 6)
6	25 141 05-S	1	Ring
7	25 221 01-S	1	Kit, brush

Ref. No.	Part No.	Qty.	Description

Obtain parts from Kohler

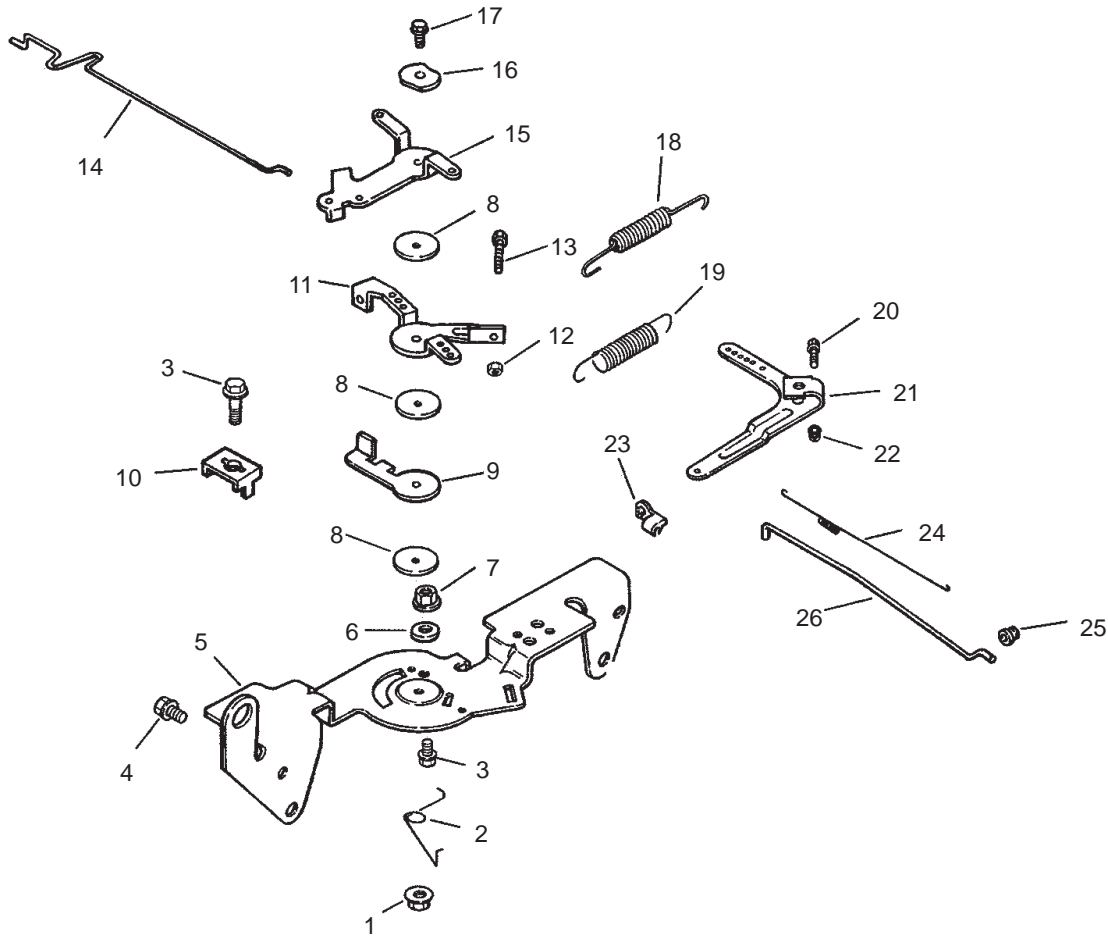


## Fuel System Assembly – Group 8 Kohler CH23S-76550

Ref. No.	Part No.	Qty.	Description
1	25 353 32-S	1	Line, fuel 9-1/4"
2	25 237 14-S	6	Clamp, hose
3	24 853 58-S	1	Kit, carburetor w/gasket (Includes 4-6)
4	24 041 17-S	1	Gasket, carburetor
5	24 053 58	1	Carburetor asm (For information only not available separately) (Service with: 24 757 01-S, 24 757 02-S, 24 757 03-S, 24 757 07-S, 24 757 08-S, 24 757 09-S)
6	24 041 06-S	1	Gasket, air cleaner
7	M-651030-S	2	Screw, hex. flange M6x1.0x30
8	24 050 02-S	1	Filter, fuel
9	25 353 15-S	1	Line, fuel 3-1/2"
10	24 100 01-S	2	Nut, plastic
11	24 393 16-S	1	Pump, fuel – pulse
12	24 086 12-S	2	Screw, hex. cap 18 mm
13	24 353 02-S	1	Line, fuel 15-1/2"

Ref. No.	Part No.	Qty.	Description
14	M-650012-S	1	Screw, hex. flange M6x1.0x10
15	47 154 01-S	1	Clip, cable <b>NOT ILLUSTRATED</b>
	24 757 01-S	1	Kit, solenoid
	24 757 02-S	1	Kit, float
	24 757 03-S	1	Kit, carburetor repair
	24 757 07-S	1	Kit, choke repair
	24 757 08-S	1	Kit, repair – accelerator pump seal & bushing
	24 757 09-S	1	Kit, repair – accelerator pump diaphragm

Obtain parts from Kohler

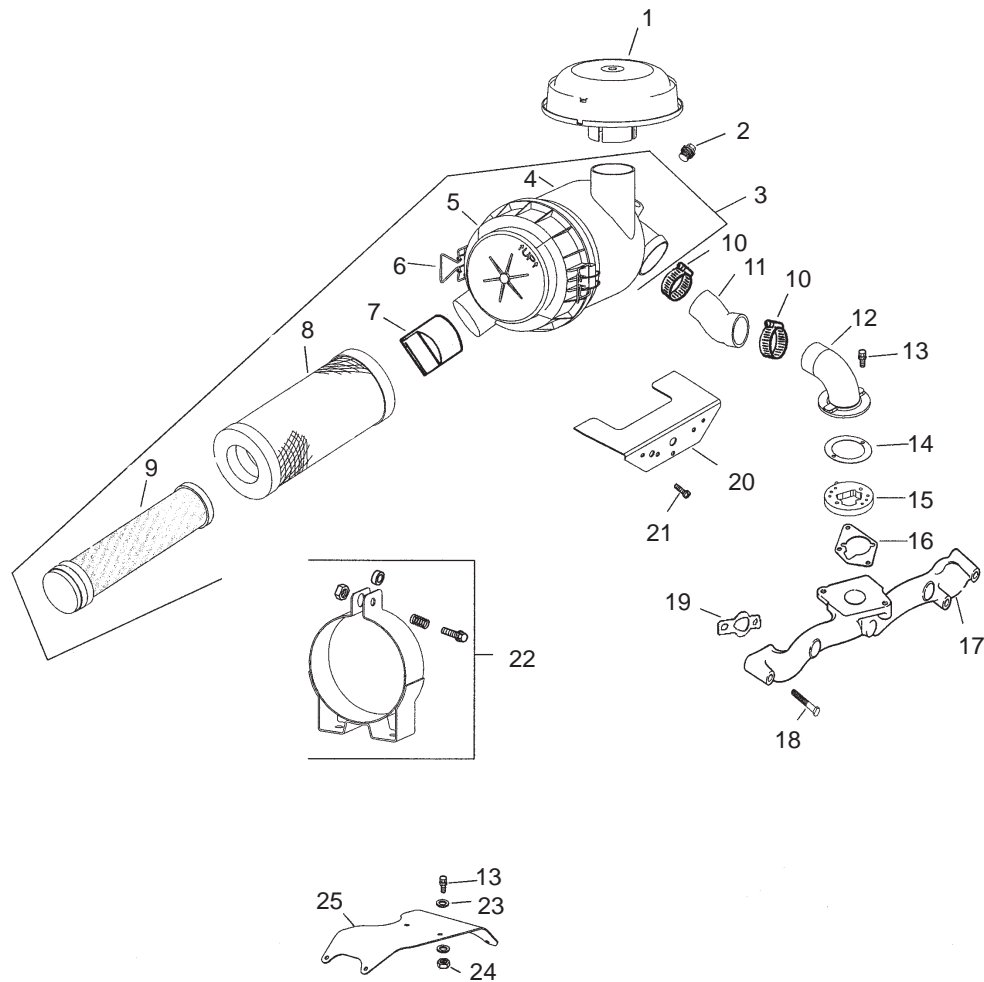


## Engine Control Assembly – Group 9 Kohler CH23S-76550

Ref. No.	Part No.	Qty.	Description
1	M-547050-S	1	Nut, hex. lock M5x0.8
2	24 089 03-S	1	Spring, choke return
3	M-545016-S	3	Screw hex. flange M5x0.8x16
4	M-645016-S	4	Screw, hex. flange M6x1.0x16
5	24 126 56-S	1	Bracket, control
6	X-20-1-S	1	Washer, lock 1/4"
7	M-541050-S	1	Nut, hex. flange M5x0.8
8	24 468 01-S	3	Washer, plain 1/4"
9	24 090 07-S	1	Lever, throttle actuator
10	12 237 01-S	2	Clamp, cable
11	24 090 03-S	1	Lever, throttle control
12	M-446030-S	1	Nut, hex. flange M4x0.7
13	M-401030-S	1	Screw, hex. flange M4x0.7x30
14	24 079 02-S	1	Linkage, choke
15	24 090 05-S	1	Lever, choke
16	41 468 03-S	1	Washer, spring 1/4"
17	M-545020-S	1	Screw, hex. flange M5x0.8x20
18	24 089 51-S	1	Spring, throttle limiter

Ref. No.	Part No.	Qty.	Description
19	24 089 44-S	1	Spring, governor
20	24 211 03-S	1	Bolt, rd. hd. sq. neck M6x1.0x25
21	24 090 33-S	1	Lever, governor
22	M-641060-S	1	Nut, hex. flange M6x1.0
23	25 158 11-S	1	Bushing, linkage retaining
24	24 089 01-S	1	Spring, linkage
25	25 158 08-S	1	Bushing, throttle linkage
26	24 079 01-S	1	Linkage, throttle

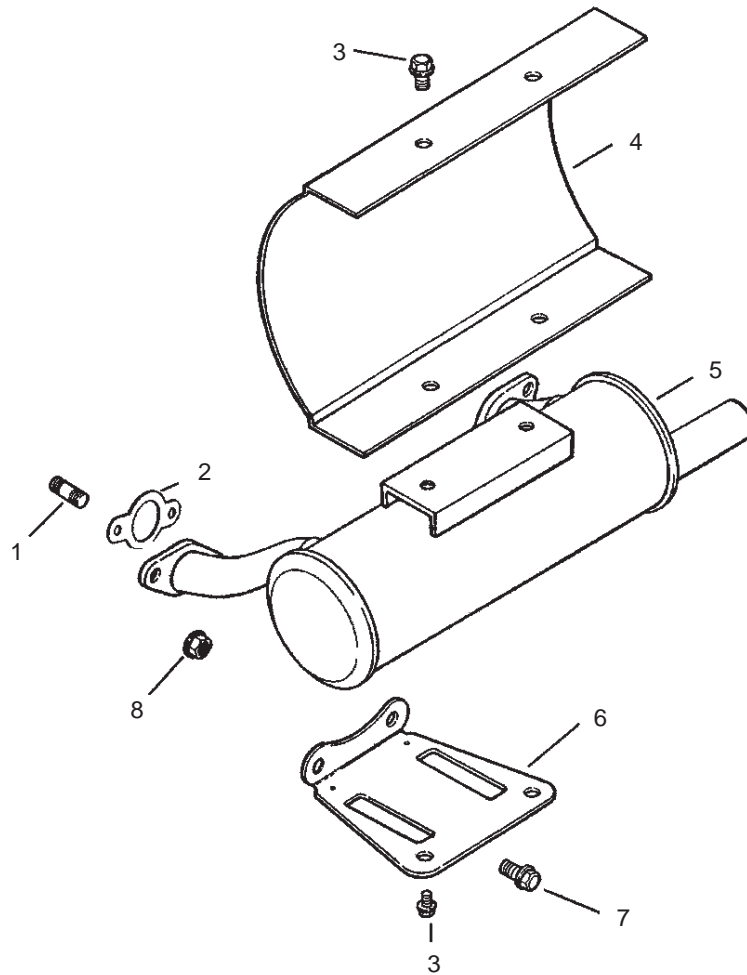
Obtain parts from Kohler



## Air Intake/Filtration Assembly – Group 10 Kohler CH23S-76550

Ref. No.	Part No.	Qty.	Description	Ref. No.	Part No.	Qty.	Description
1	25 324 02-S	1	Hood, air cleaner	18	25 086 84-S	4	Screw, hex. flange M6x1.0x55
2	25 139 20-S	1	Plug, pipe	19	24 041 01-S	2	Gasket, intake manifold
3	25 048 07-S	1	Cleaner, heavy duty air (Includes 4-9)	20	24 314 25-S	1	Shield, debris
4	25 081 01-S	1	Housing, heavy duty air cleaner	21	24 086 06-S	2	Screw, phillips hd. 11-16x3/4"
5	25 096 06-S	1	Cover, heavy duty air cleaner	22	25 126 02-S	1	Bracket, air cleaner
6	25 154 05-S	2	Clip	23	X-25-73-S	4	Washer, plain 1/4"
7	24 462 07-S	1	Valve, dust ejector	24	M-647060-S	2	Nut, hex. lock M6x0.8
8	25 083 01-S	1	Element – primary	25	24 126 98-S	1	Bracket, air cleaner <b>NOT ILLUSTRATED</b>
9	25 083 04-S	1	Element – safety filter		25 113 27-S	1	Decal, air cleaner
10	25 237 07-S	2	Clamp, hose				
11	24 326 32-S	1	Hose, air cleaner				
12	24 029 21-S	1	Adapter, remote air cleaner				
13	M-639016-S	6	Screw, hex. flange M6x1.0x16				
14	24 041 34-S	1	Gasket, adapter				
15	24 029 31-S	1	Adapter				
16	24 041 06-S	1	Gasket, air cleaner base				
17	24 164 14-S	1	Manifold, intake				

Obtain parts from Kohler



## Exhaust Assembly – Group 11 Kohler CH23S-76550

Ref. No.	Part No.	Qty.	Description	Ref. No.	Part No.	Qty.	Description
1	25 072 04-S	4	Stud, M8x1.25x33				
2	24 041 02-S	2	Gasket, exhaust				
3	M-650012-S	4	Screw, hex. flange M6x1.0x12				
4	24 314 04-S	1	Shield, heat				
5	24 068 18-S	1	Muffler				
6	24 126 12-S	1	Bracket, muffler				
7	M-839020-S	2	Screw, hex. flange M8x1.25x20				
8	M-841080-S	4	Nut, hex. flange M8x1.25				
	24 755 113-S	1	<b>NOT ILLUSTRATED</b> Gasket Set				

Obtain parts from Kohler







