



Z255

Z Master[®] with 52in SFS Side Discharge Mower

Model No. 74228—22000001 and Up

Parts Catalog

Ordering Replacement Parts

To order replacement parts, please supply: the part number, the quantity, and the description of each part desired.

Understanding Reference Numbers

Each identified part in an illustration has a reference number. The reference number for a part also appears in the parts list, along with other information about the part.

This catalog uses two special reference number formats, one to indicate parts in a service assembly and another to indicate the quantity of a given part in an illustration.

Service Assembly Reference Numbers

Parts in service assemblies have reference numbers in the form **a:b**. The **a** represents the reference number of the entire service assembly and the **b** represents a sequential number unique to each part within the service assembly.

For example, a wheel assembly might be identified by reference number **6**, the tire by **6:1**, the valve by **6:2**, and the wheel by **6:3**. When you order the assembly identified by reference number **6**, you receive all parts identified by reference numbers **6:1**, **6:2**, and **6:3**. However, you may also order any part individually.

Reference numbers of this type appear in illustrations and in part lists.

Reference Numbers Indicating Quantity

In an illustration, if a reference number indicates more than one part, the reference number has the form **nX y**. The **n** represents the quantity of the part, the **X** is the multiplication symbol, and the **y** represents the reference number.

For example, in an illustration, the reference number **2X 37** means that two of the parts identified by reference number **37** are indicated.

Contents

Description	Page	Description	Page
Front Frame Assembly	4	Group 2 – Crankcase Assembly	
Caster and Wheel Assembly	5	Kohler CH25S-68695	24
Main Frame Assembly	6	Group 3 – Oil Pan/Lubrication Assembly	
Brake and Wheel Hub Assembly	7	Kohler CH25S-68695	25
Steering Control Assembly	8	Group 4 – Head/Valve/Breather Assembly	
Hydraulic System Assembly	9	Kohler CH25S-68695	26
Seat Assembly	11	Group 5 – Ignition/Electrical Assembly	
Deck Connection Assembly	12	Kohler CH25S-68695	27
Drive Idler Assembly	13	Group 6 – Blower Housing and Baffle Assembly	
Z-Stand Assembly	14	Kohler CH25S-68695	28
Engine and Clutch Assembly	15	Group 7 – Starting System Assembly	
Guard Assembly	16	Kohler CH25S-68695	29
Fuel System Assembly	17	Group 8 – Fuel System Assembly	
Electrical System Assembly	18	Kohler CH25S-68695	30
Deck, Deflector and Roller Assembly	19	Group 9 – Engine Control Assembly	
Spindle and Pulley Assembly	20	Kohler CH25S-68695	31
Belt and Idler Arm Assembly	21	Group 10 – Air Intake/Filtration Assembly	
Electrical Schematic	22	Kohler CH25S-68695	32
Group 1 – Crankshaft Assembly		Group 11 – Exhaust Assembly	
Kohler CH25S-68695	23	Kohler CH25S-68695	33

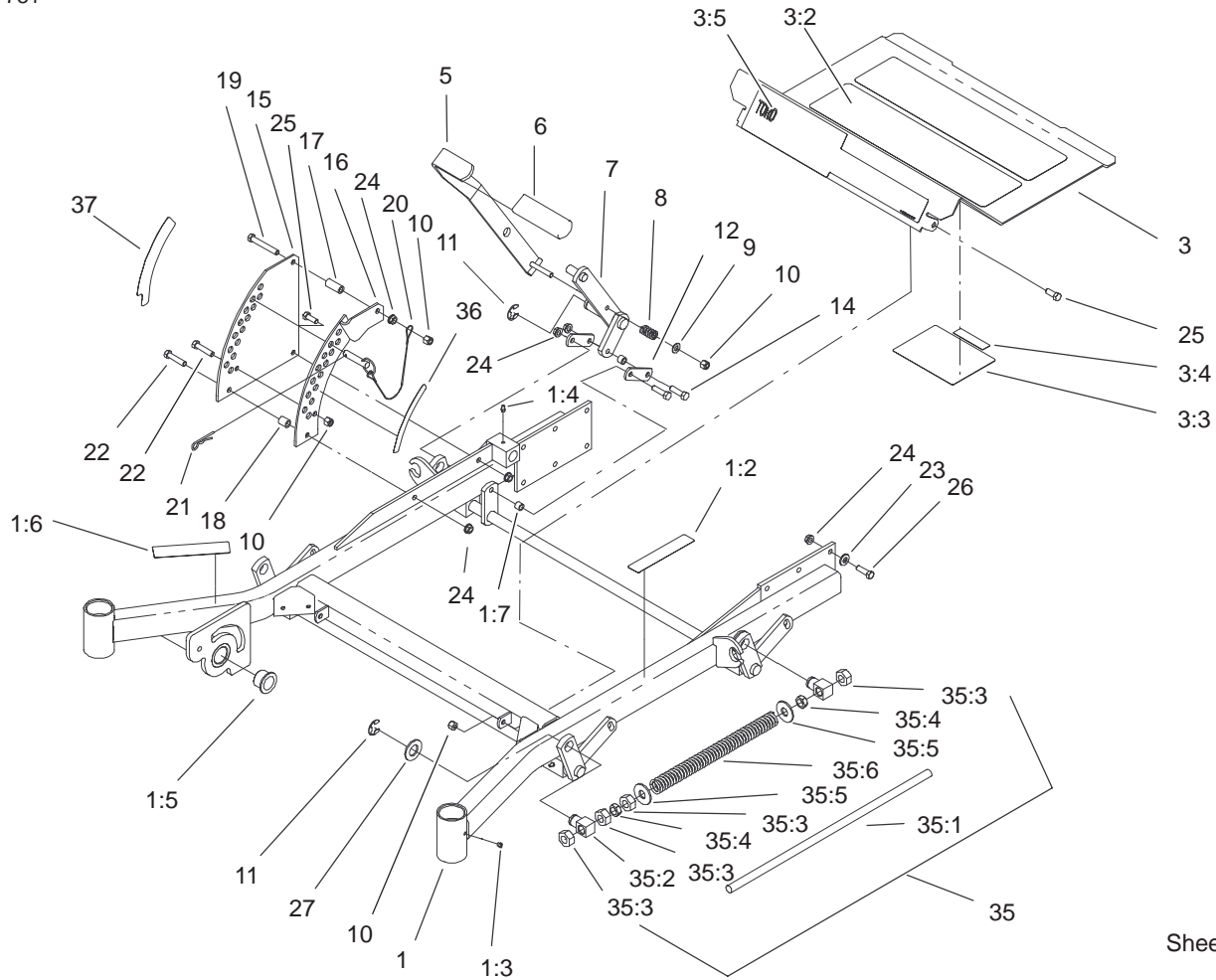
Accessories

Description	Model / Part No.	Description	Model / Part No.
Suspension Seat Kit	99-8522	Spark Arrester Kit	105-1672
Hitch Kit	99-8925	Filter Minder	99-4664
Atomic Blade	104-1301	Deck Lift Assist	100-4336
Striping Kit	30121	Mulching Kit	59227
Recycler Kit	59225		

Part Description Abbreviations

Part descriptions in this catalog may include the following abbreviations.

Abbreviation	Meaning	Abbreviation	Meaning
AR	as required	HYD	hydraulic
ASM	assembly	INC	incorporated
CARR	carriage	LH	left hand
DEG	degrees	NI	nylon insert
FH	flat head	PPH	Phillips pan head
GA	gauge	PTH	Phillips truss head
HF	hex flange	PTO	power take off
HH	hex head	RH	right hand
HHF	hex head flange	SFH	slotted fillister head
HLH	hex lag head	SHH	slotted hex head
HJ	hex jam	SQH	square head
HOC	height-of-cut	SHWH	slotted hex washer head
HS	hex socket	SPH	slotted pan head
HSBH	hex socket button head	SRH	slotted round head
HSFH	hex socket flat head	STD	standard
HSH	hex socket head	TAP	self tapping
HWH	hex washer head	TTH	Torx truss head
HWHTF	hex washer head thread forming	WH	wing head



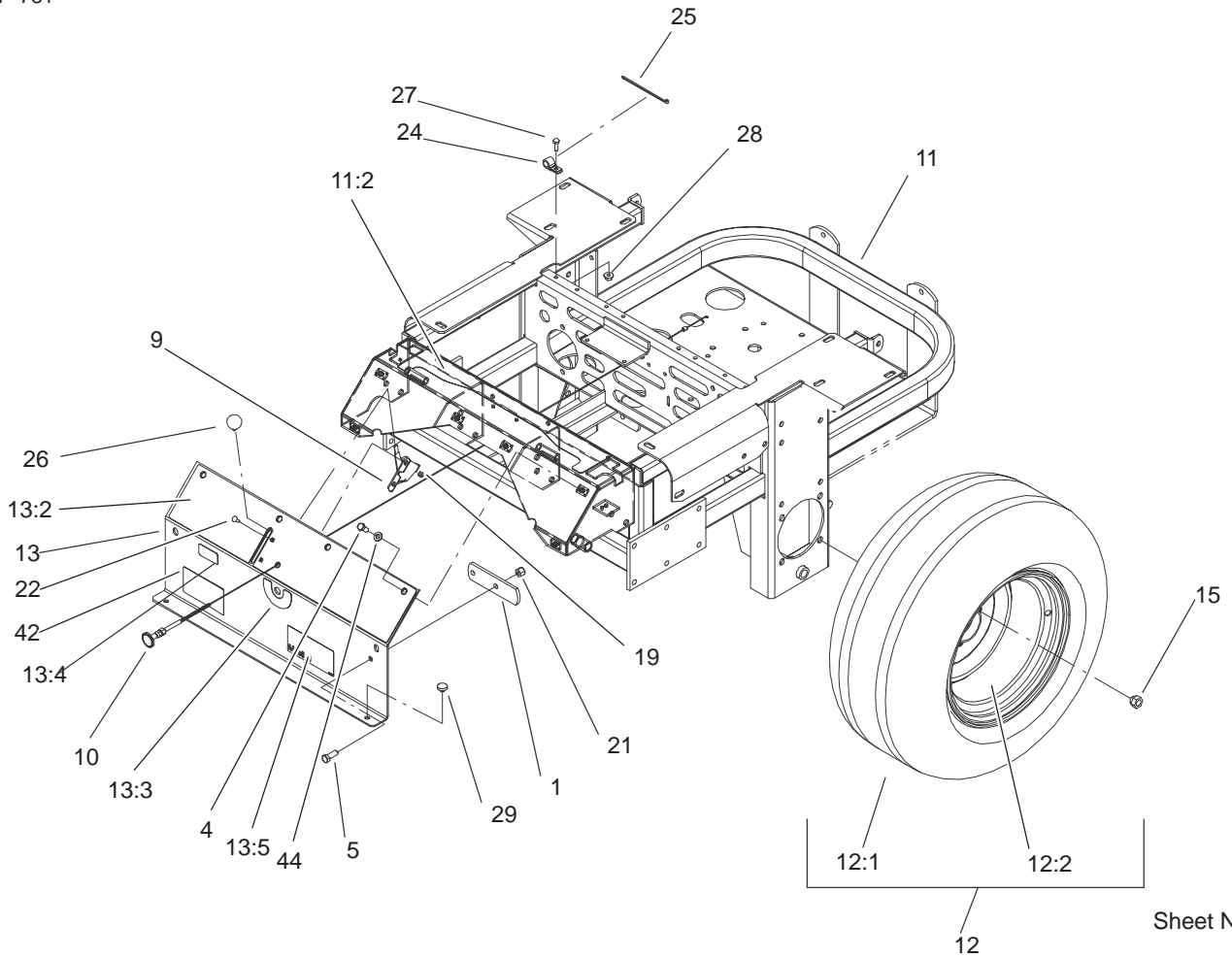
Sheet No.: 2

Front Frame Assembly

Ref. No.	Part No.	Qty.	Description
1	104-5131	1	Frame ASM
1:2	1-633818	1	Decal-Warning
1:3	1-811010	2	Plug
1:4	302-19	5	Fitting-Grease
1:5	94-1291	2	Bushing-Special
1:6	104-7759	1	Decal-Warning
1:7	103-1918	1	Bushing
3	100-6509	1	Floorpan ASM
3:2	1-633553	3	Pad-Antiskid
3:3	1-633766	1	Decal-Check
3:4	98-5954	1	Decal-Missing, Cover
3:5	1-633737	1	Decal-Z-Master
5	103-2083-03	1	Lever-Lift
6	1-633295	1	Grip-Lever, Lift
7	103-2064-03	1	Arm-Lift, Deck
8	1-633325	1	Spring-Compression
9	3256-24	1	Washer-Flat
10	3296-39	5	Nut-Lock, NI
11	32151-103	5	Ring-Snap
12	1-633068	2	Arm-Lift, Deck
14	323-29	2	Screw-HH
15	1-633889-01	1	Plate-Lift, Deck
16	1-632899-01	1	Plate-Lift, Deck
17	1-633082	1	Bushing-Lever, Lift
18	1-633080	1	Bushing-Lever, Lift
19	323-13	1	Screw-HH

Ref. No.	Part No.	Qty.	Description
20	1-633097	1	Pin-Hitch W/Lanyard
21	1-806005	1	Pin-Hair
22	323-9	2	Screw-HH
23	98-5975	12	Washer-Belleville
24	3290-357	17	Nut-HHF
25	323-6	3	Screw-HH
26	323-7	12	Screw-HH
27	3256-29	4	Washer-Flat
☆35		2	Spring ASM
35:1	1-633096	1	Rod-Lift, Deck
35:2	1-633441	2	Swivel-Deck Mount, Rear
35:3	3217-11	4	Nut-Hex
35:4	3218-6	2	Nut-Jam
35:5	3256-7	1	Washer-Flat
35:6	1-653009	1	Spring-Compression
35:7	3256-27	1	Washer-Flat
36	1-633706	1	Decal-Height, Deck
37	1-633345	1	Decal-Height, Deck

☆ Not serviced separately

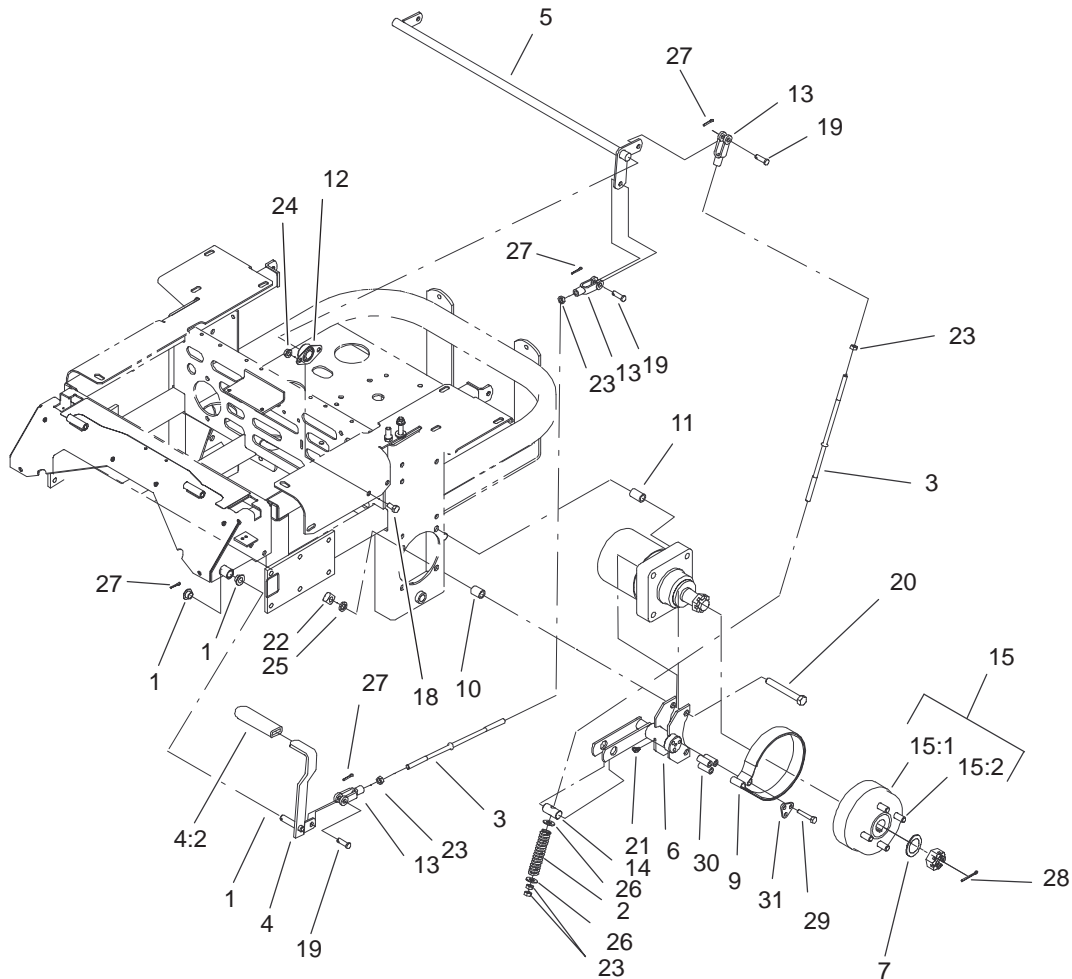


Sheet No.: 4

Main Frame Assembly

Ref. No.	Part No.	Qty.	Description
1	1-633964-03	1	Stop-Brake, Park
4	322-3	6	Screw-HH
5	323-6	2	Screw-HH
9	1-633696	1	Cable-Throttle
10	1-603336	1	Control-Choke
11	105-6120	1	Rear Frame ASM
11:2	103-2433	1	Decal, Top Console
12	1-653010	2	Wheel & Tire ASM
12:1	1-653160	1	Tire
12:2	1-653158	1	Wheel
13	99-4623	1	Console ASM
13:2	100-4311	1	Decal-Panel, Control
13:3	103-0262	1	Decal-Valve, Fuel
13:4	98-4387	1	Decal-Protection, Ear
13:5	104-8172	1	Decal-Mobil 1
15	242-50	8	Nut-Lug
19	3296-2	2	Nut-Lock
21	3296-39	2	Nut-Lock, NI
22	1-807513	2	Bolt-CARR
24	1-513762	1	Clip-Loom
25	1-303335	1	Tie-Plastic
26	1-513592	1	Knob-Ball
27	321-4	1	Screw-HH
28	32128-33	1	Nut-HF
29	1-513658	2	Bumper-Catcher, Grass

Ref. No.	Part No.	Qty.	Description
42	1-633736	1	Decal-Toro, Z255
44	3256-23	6	Washer-Flat

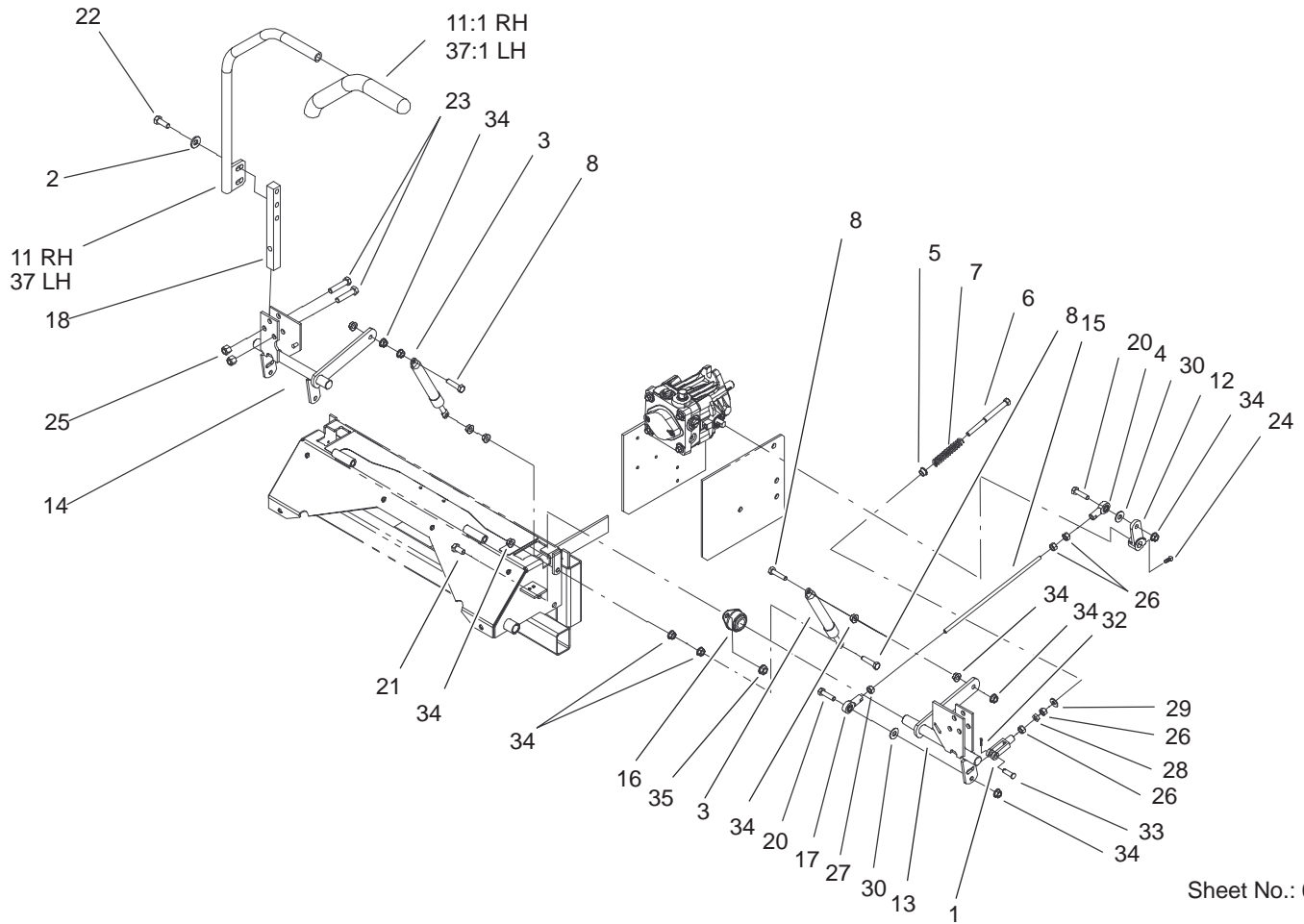


Sheet No.: 5

Brake and Wheel Hub Assembly

Ref. No.	Part No.	Qty.	Description
1	1-513140	2	Bearing-Control
2	1-633454	2	Spring-Brake
3	1-633477	3	Rod-Brake
4	1-634500	1	Brake Lever ASM
4:2	1-633268	1	Grip-Lever, Brake
5	1-632217-03	1	Shaft-Brake
6	103-0352-03	2	Bracket-Brake
7	1-523157	2	Washer-Spacer
9	103-0355	2	Band-Brake
10	1-633380	4	Spacer-Wheel, Short
11	1-633382	4	Spacer-Wheel, Long
12	1-633102	2	Bearing-Flange, Side
13	1-633131	4	Yoke-Linkage, Brake
14	1-633144	2	Pin-Trunion
15	103-0590	2	Hub-Wheel
15:1	103-0589	1	Hub-Wheel
15:2	1-633926	4	Stud-Wheel
18	323-4	4	Screw-HH
19	1-808285	4	Pin-Clevis
20	325-17	8	Screw-HH
21	1481	2	Fitting-Grease
22	103-0131	8	Nut-Square
23	3219-3	8	Nut-HH
24	3290-357	4	Nut-HHF
25	3253-7	8	Washer-Lock
26	3256-4	4	Washer-Flat

Ref. No.	Part No.	Qty.	Description
27	3272-10	7	Pin-Cotter
28	1-806800	2	Pin-Cotter
29	322-9	6	Screw-HH
30	103-0384	6	Spacer
31	103-0374	2	Retainer-Band, Brake

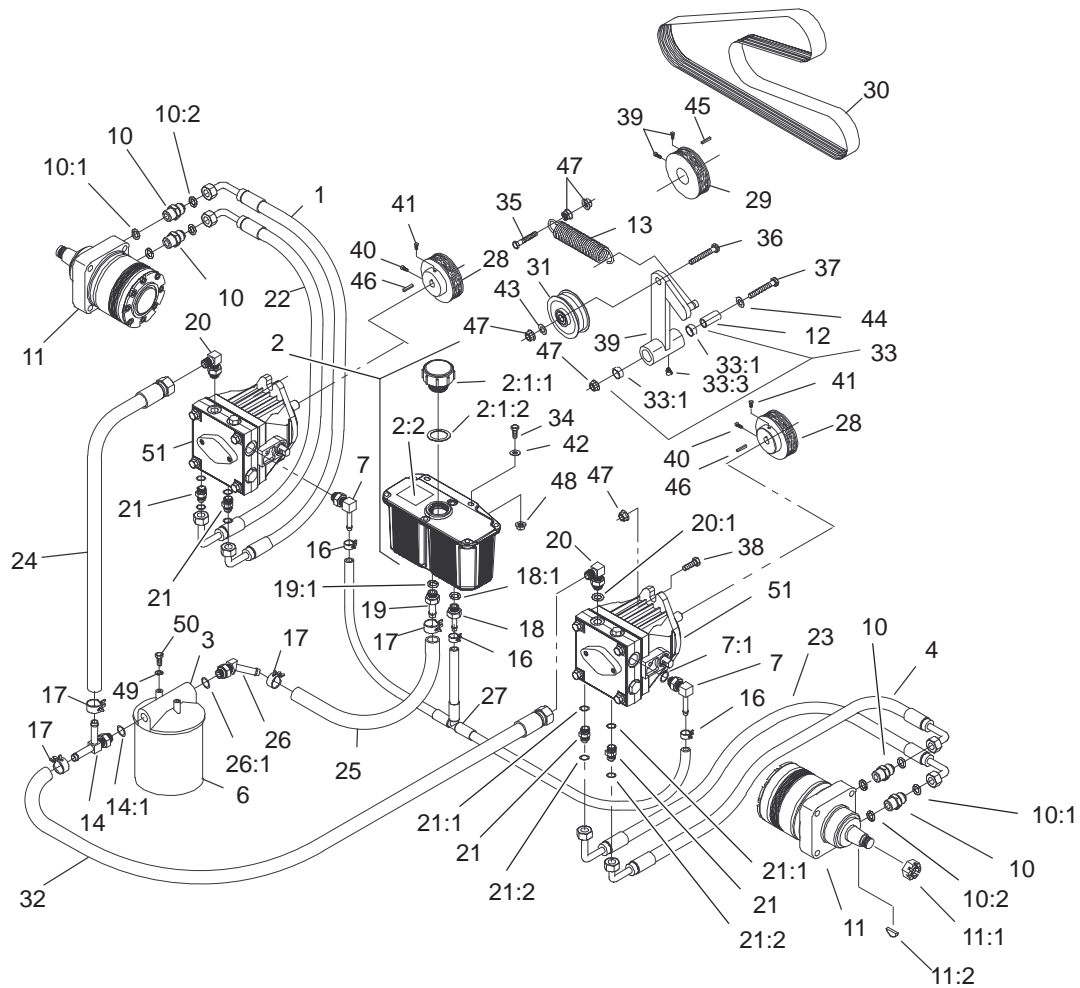


Sheet No.: 6

Steering Control Assembly

Ref. No.	Part No.	Qty.	Description
1	1-303105	2	Yoke-Adjustable
2	98-5975	4	Washer-Belleville
3	1-523027	2	Damper-Control
4	1-543017	2	Balljoint-RH
5	1-603735	2	Bushing-Flanged
6	1-603737	2	Bolt-Return, Neutral
7	1-603807	2	Spring-Return, Neutral
8	1-403180	4	Screw-HH
11	103-0632	1	RH Lever ASM
11:1	1-633257	1	Grip-Control, Motion
12	1-632208	2	Arm-Control, Pump
13	1-642319	1	Control-Motion, LH
14	1-642320	1	Control-Motion, RH
15	1-633153	2	Linkage-Pump/Lever
16	1-633102	4	Bearing-Flange, Side
17	1-633152	2	Balljoint-Thread, LH
18	103-0407	2	Arm-Shaft, Control
20	322-6	4	Screw-HH
21	323-4	8	Screw-HH
22	323-6	4	Screw-HH
23	323-9	6	Screw-HH
24	1-803022	2	Screw
25	3296-39	6	Nut-Lock, NI
26	3219-2	10	Nut-Hex
27	1-804524	2	Nut

Ref. No.	Part No.	Qty.	Description
28	3220-2	2	Nut
29	3256-2	2	Washer-Flat
30	3256-3	4	Washer-Flat
32	3272-5	2	Pin-Cotter
33	1-808280	2	Pin-Clevis
34	32128-20	16	Nut-HF
35	3290-357	8	Nut-HHF
37	103-0631	1	LH Lever ASM
37:1	1-633257	1	Grip-Control, Motion



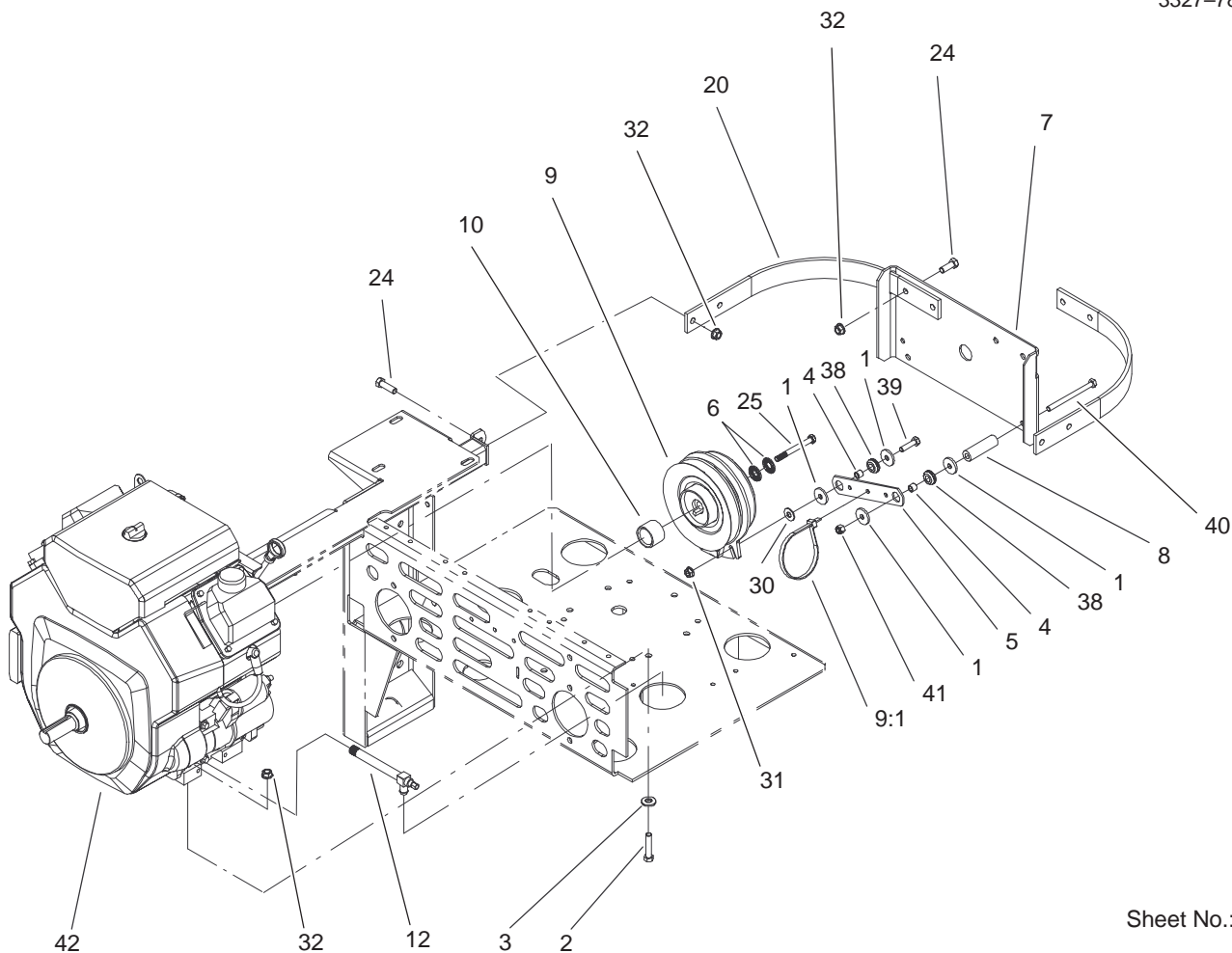
Sheet No.: 7

Hydraulic System Assembly

Ref. No.	Part No.	Qty.	Description	Ref. No.	Part No.	Qty.	Description
1	103-1764	1	Upper RH Hose ASM	17	103-1988	4	Clamp-Hose
2	103-1947	1	HYD Reservoir ASM	18	103-1801	1	Adapter-Straight
☆2:1		1	Reservoir-HYD	18:1	237-42	1	O-Ring
2:1:1	103-1948	1	Cap-HYD Reservoir	19	103-1912	1	Adapter-Straight
2:1:2	103-1949	1	Gasket-Cap	19:1	237-42	1	O-Ring
2:2	1-523552	1	Decal-Tank, Hydraulic	20	103-1802	2	Elbow-90°
3	104-7836	1	Head-Filter	20:1	237-42	1	O-Ring
4	103-1682	1	Upper LH Hose ASM	21	1-603990	4	Fitting-Straight
6	1-633750	1	Filter-HYD	21:1	237-79	1	O-Ring
6	1-633752	1	Filter-HYD, Winter	21:2	1-603992	1	O-Ring
7	103-1799	2	Elbow-90°	22	103-1765	1	Lower RH Hose ASM
7:1	237-42	1	O-Ring	23	103-1683	1	Lower LH Hose ASM
10	1-603991	4	Fitting-Straight	24	103-1826	1	HYD Hose ASM
10:1	237-80	1	O-Ring	25	103-1808	1	Hose-HYD
10:2	1-603992	1	O-Ring	26	103-1807	1	Elbow-45°
11	1-523328	2	Motor-Wheel	26:1	237-42	1	O-Ring
11:1	1-809036	1	Nut-HH	27	103-1806	1	HYD Hose ASM
11:2	3257-42	1	Key-Woodruff	28	1-633568	2	Sheave
*11:99	1-000099	1	Kit-Seal	29	1-633567	1	Sheave
*11:99	1-000139	1	Kit-Bearing	30	1-633749	1	Belt-Drive, Pump
*11:99	103-2748	1	Kit-Link, Drive	31	1-633167	1	Sheave-Idler
12	1-603384	1	Bushing-Pivot, Idler	32	103-1827	1	HYD Hose ASM
13	1-633151	1	Spring-Extension	33	1-634277	1	Bearing Arm ASM
14	103-1828	1	Adapter-Run, Tee	33:1	1-513034	2	Sleeve-Bearing
14:1	237-42	1	O-Ring	33:3	302-40	1	Fitting-Grease
16	103-1716	3	Clamp-Hose	34	321-6	2	Screw-HH

☆ Not serviced separately

* Not illustrated



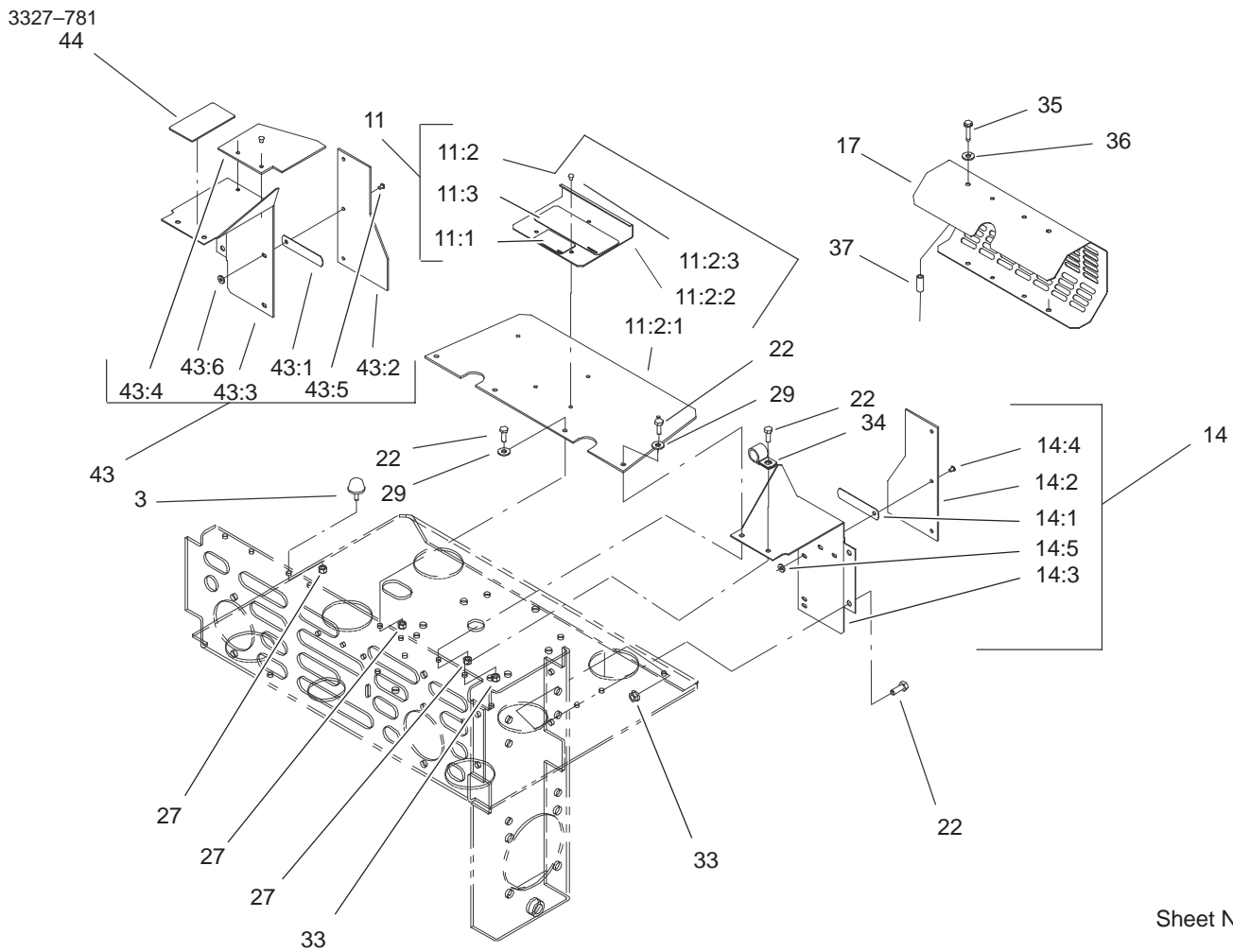
Sheet No.: 12

Engine and Clutch Assembly

Ref. No.	Part No.	Qty.	Description
1	1-613235	4	Washer
2	323-9	4	Screw-HH
3	98-5975	4	Washer-Belleville
4	1-633545	2	Spacer-Grommet
5	1-633543-03	1	Strap-Clutch, Brake
6	1-603610	2	Washer-Spring
7	1-633615-03	1	Guard-Clutch
8	1-633988	1	Spacer-Anchor, Clutch
9	103-0665	1	Clutch ASM
9:1	1-303335	1	Tie-Plastic
10	1-633179	1	Spacer-Clutch
12	103-1996	1	Valve, Oil Drain Long
20	1-643264-03	2	Bracket-Guard, Top
24	323-6	6	Screw-HH
25	3212-10	1	Screw-HH
30	3256-3	1	Washer-Flat
31	32128-20	1	Nut-HF
32	3290-357	8	Nut-HHF
38	1-633630	2	Grommet-Brake
39	322-6	1	Screw-HH
40	322-19	1	Screw-HH
41	3296-29	1	Nut-Lock, NI
☆42		1	Engine-Kohler, Ch25s-68695

Ref. No.	Part No.	Qty.	Description

☆ Not serviced separately

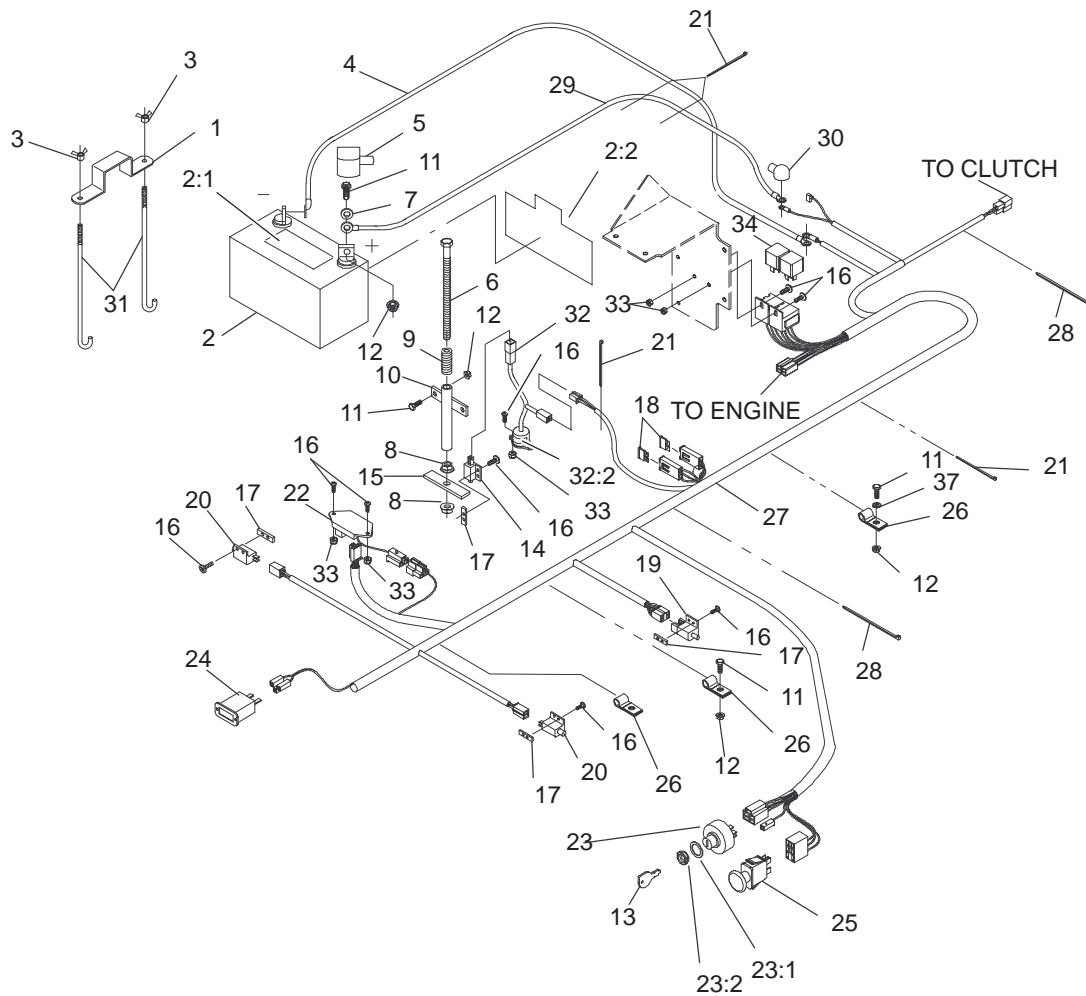


Sheet No.: 13

Guard Assembly

Ref. No.	Part No.	Qty.	Description
3	1-523420	2	Bumper
11	1-644276	1	Shield ASM
11:1	1-633462	1	Decal-Important
11:2	1-634308	1	Shield/Lift ASM
11:2:1	103-1308	1	Shield-Engine
11:2:2	1-633300-03	1	Lift-Shield
11:2:3	1-803035	3	Rivet-Pop
11:3	103-0368	1	Decal-Devices, Rotating
14	1-634796	1	LH Shield ASM
14:1	1-523285	1	Clip-Baffle, Rear
14:2	1-633301	1	Shield-Engine
14:3	1-633795-03	1	Baffle-Engine Shield, LH
14:4	1-803035	3	Rivet-Pop
14:5	3256-63	3	Washer-Flat
17	1-643313-03	1	Guard-Muffler
22	321-4	10	Screw-HH
27	3296-42	6	Nut-Lock, NI
29	3256-2	4	Washer-Flat
33	32128-33	5	Nut-HF
34	1-633396	1	Clip-Loom
35	1-809076	2	Screw
36	1-323235	2	Washer-Spring
37	1-323236	2	Spacer
43	1-644316	1	RH Shield ASM

Ref. No.	Part No.	Qty.	Description
43:1	1-523285	1	Clip-Baffle, Rear
43:2	1-633301	1	Shield-Engine
43:3	1-633794-03	1	Baffle-Engine Shield, RH
43:4	1-643315	1	Baffle-Cooler, Engine
43:5	1-803035	5	Rivet-Pop
43:6	3256-63	5	Washer-Flat
44	1-643339	1	Decal-Routing, Belt

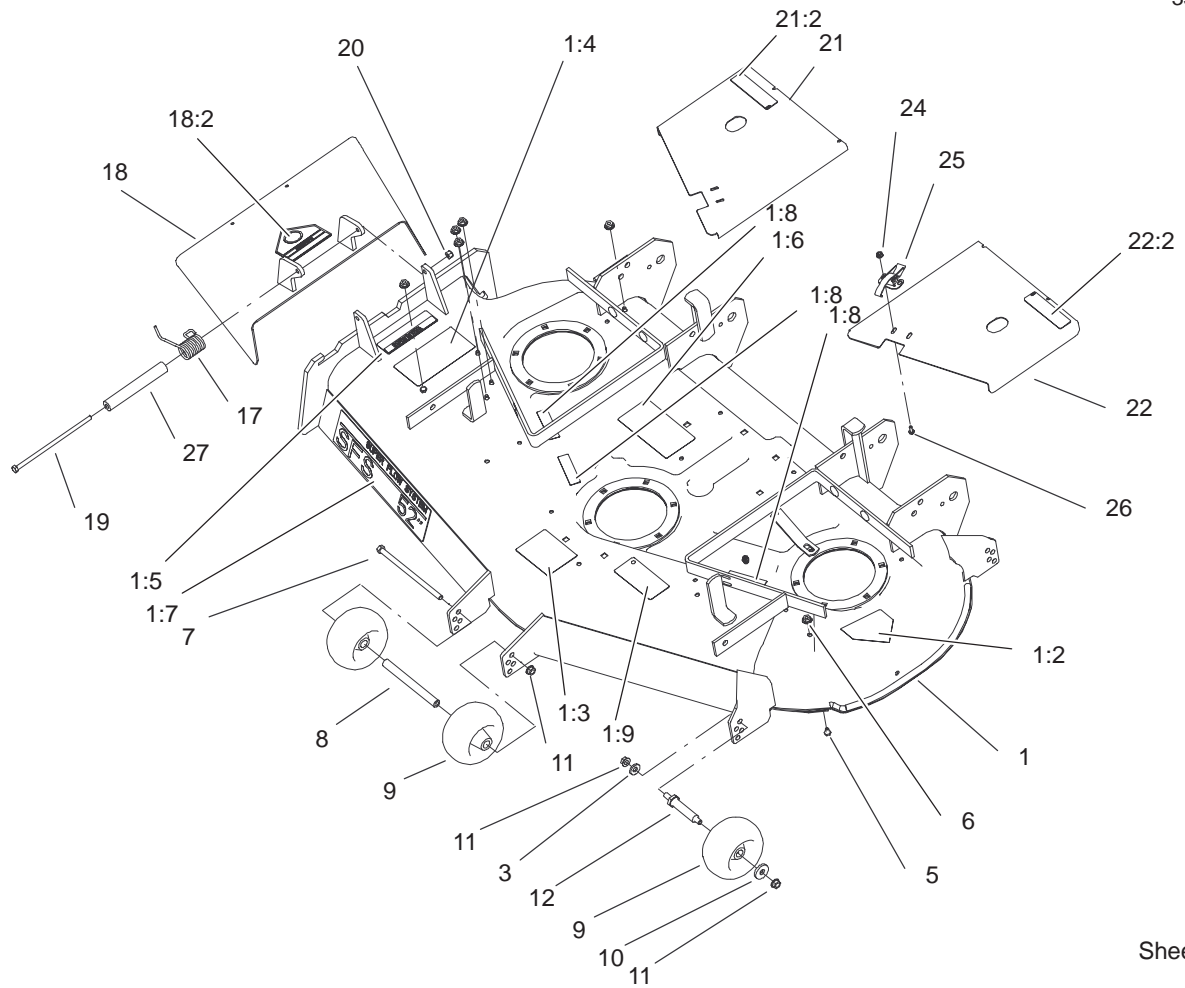


Sheet No.: 27

Electrical System Assembly

Ref. No.	Part No.	Qty.	Description
1	1-633652-03	1	Strap-Holddown, Battery
2	105-1692	1	Battery
2:1	104-4163	1	Decal-Battery
2:2	104-4164	1	Decal-Battery
3	1-543792	2	Wingnut
4	1-633307	1	Wire-Ground
5	1-543391	1	Insulator-Battery
6	1-800282	1	Screw-HH
7	3256-2	2	Washer-Flat
8	32128-20	2	Nut-HF
9	1-523415	1	Spring-Switch, Seat
10	1-522424-03	1	Mount-Spring, Seat
11	321-4	6	Screw-HH
12	32128-33	6	Nut-HF
13	63-8360	2	Key-Ignition
14	1-513152	1	Switch-Closed, Normally
15	1-513180	1	Plate-Switch, Seat
16	3290-500	14	Screw-PPH
17	1-633181	4	Plate-Tapped
18	1-816001	2	Fuse-Type, Blade
19	1-633111	1	Switch
20	1-513051	2	Switch-Open, Normally
21	1-303287	5	Tie-Plastic

Ref. No.	Part No.	Qty.	Description
22	100-6186	1	Module-Delay, Seat
23	88-9830	1	Key Switch ASM
23:1	3254-5	1	Washer-Lock, Internal
23:2	218-461	1	Nut-HH
24	1-513374	1	Meter-Hour
25	1-633673	1	Switch-Delta
26	1-633396	3	Clip-Loom
27	100-4340	1	Harness-Wire
28	1-303335	2	Tie-Plastic
29	1-523281	1	Wire-Starter
30	1-543393	1	Insulator-Solenoid
31	1-633651	2	Bolt-Holddown
32	1-644427	1	Tilt Switch ASM
32:2	1-643401	1	Decal-Switch, Mercury
33	3296-2	6	Nut-Lock
34	1-643275	2	Relay
37	3256-22	1	Washer-Flat

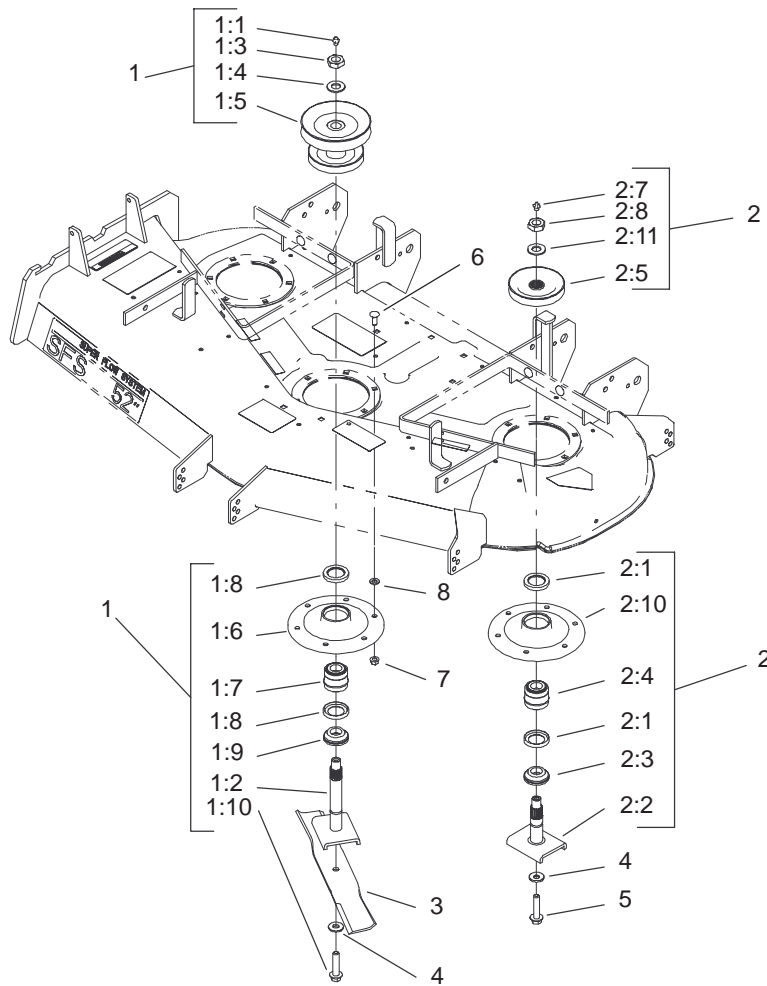


Sheet No.: 51

Deck, Deflector and Roller Assembly

Ref. No.	Part No.	Qty.	Description
1	105-1696	1	Deck ASM
1:2	43-8480	1	Decal-Danger
1:3	98-3798	1	Decal-Wheel, Gage
1:4	66-1340	1	Decal-Danger
1:5	104-8569	1	Decal-Warning, Deflector
1:6	98-3799	1	Decal-Belt Routing
1:7	98-5953	1	Decal-Sfs
1:8	98-5954	3	Decal-Missing, Cover
1:9	93-7818	1	Decal-Torque, Blade Bolt
3	98-5975	3	Washer-Belleville
5	321-1	6	Screw-HH
6	32128-33	6	Nut-HF
7	323-28	1	Screw-HH
8	98-5967	1	Spacer-Wheel
9	68-2730	5	Wheel-Gage
10	1-373034	3	Washer-Swivel
11	3290-357	7	Nut-HHF
12	99-2842	3	Spacer-Wheel
17	104-8554	1	Spring-Torsion
18	105-4623	1	Deflector ASM
18:2	54-9220	1	Decal-Danger
19	322-50	1	Screw-Cap
20	3296-29	1	Nut-Lock, NI
21	98-5963	1	Cover ASM-RH

Ref. No.	Part No.	Qty.	Description
21:2	67-5360	1	Decal-Danger
22	98-5965	1	LH Cover ASM
22:2	67-5360	1	Decal-Danger
24	32128-17	4	Nut-Lock, Flange
25	249-21	2	Clamp-Slotted
26	3290-321	4	Screw-HWH
27	105-4622	1	Spacer-Mounting, Deflector



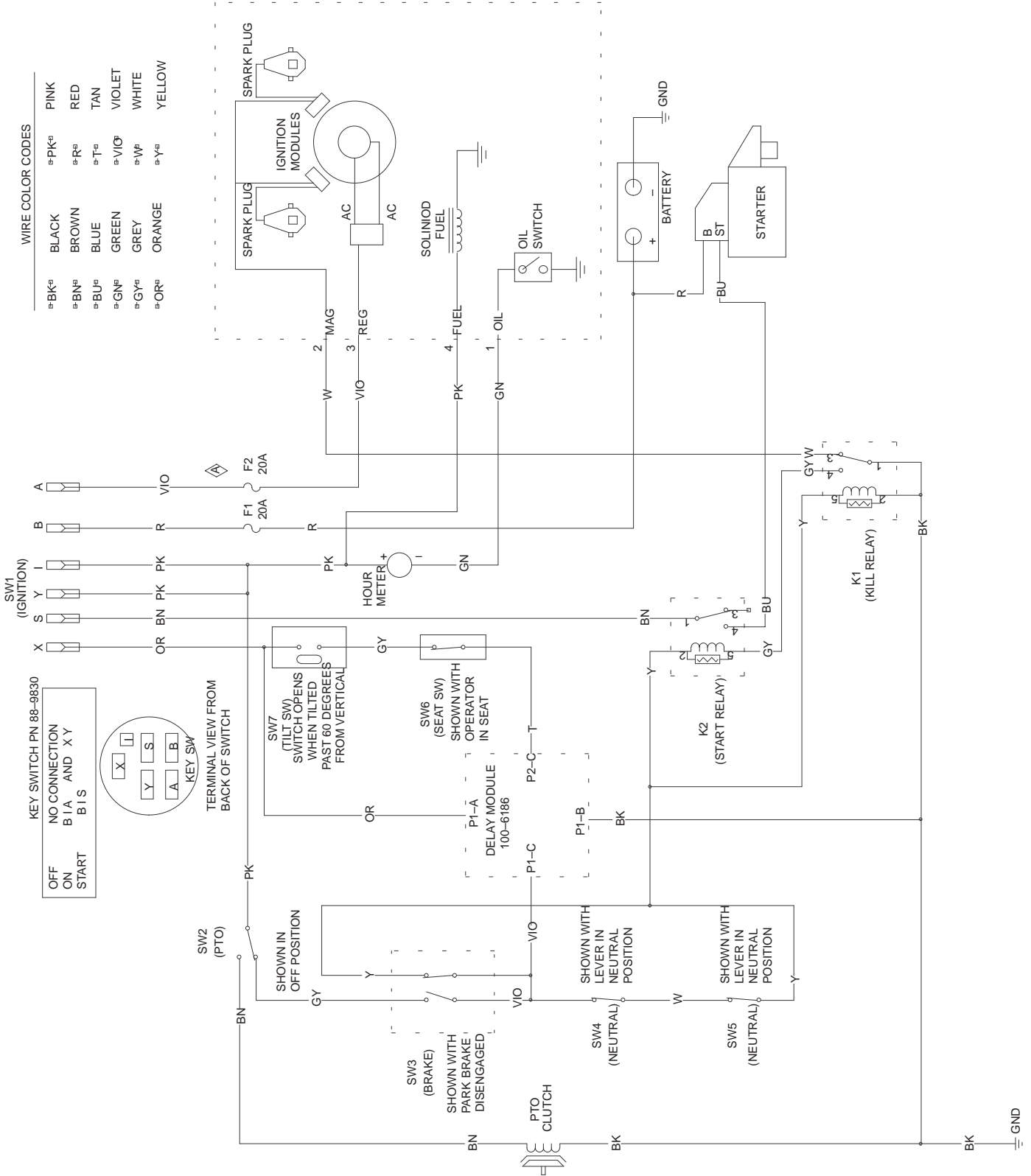
Sheet No.: 52

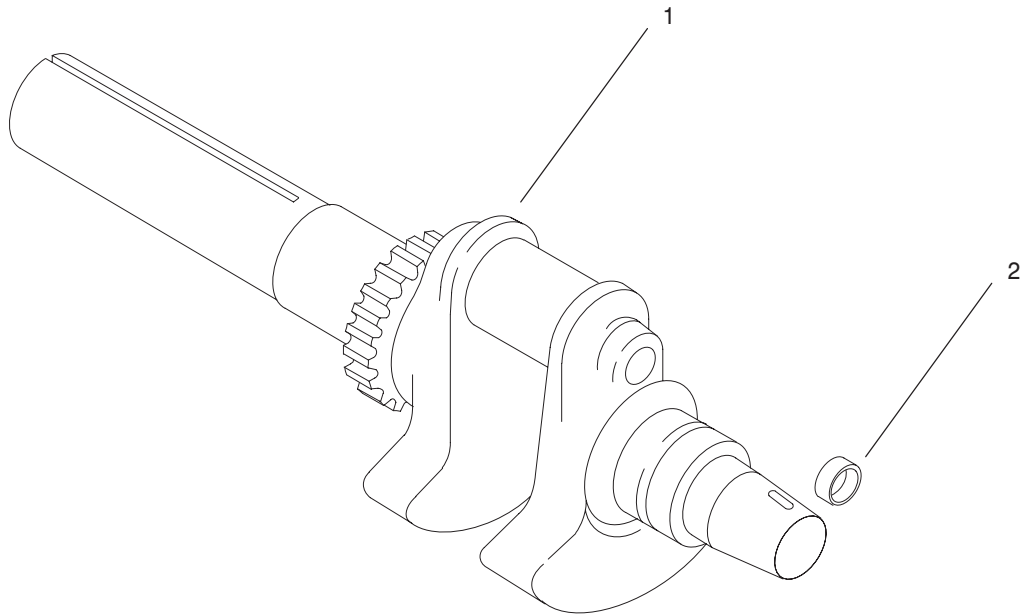
Spindle and Pulley Assembly

Ref. No.	Part No.	Qty.	Description
1	105-1687	1	Spindle Housing ASM
1:1	302-2	1	Fitting-Grease
1:2	105-1686	1	Spindle Shaft ASM
1:3	32146-20	1	Nut-Jam
1:4	92-5836	1	Washer-Axle
1:5	100-2312	1	Pulley/Hub ASM
1:6	61-4160	1	Housing-Spindle
1:7	46-8530	1	Bearing ASM
1:8	253-139	2	Seal-Oil
1:9	27-0950	1	Spacer-Bearing, Spindle
1:10	92-5816	1	Bolt-Blade
2	99-4639	2	Spindle ASM - Outer
2:1	253-139	2	Seal-Oil
2:2	27-0920	1	Shaft-Spindle
2:3	27-0950	1	Spacer-Bearing, Spindle
2:4	46-8530	1	Bearing ASM
2:5	99-4613	1	Pulley & Hub
2:7	302-2	1	Fitting-Grease
2:8	32146-20	1	Nut-Jam
2:10	61-4160	1	Housing-Spindle
2:11	7-4150	1	Washer-Pinion
3	27-0990	3	Blade
4	1-513435	3	Washer-Spring
5	92-5816	2	Bolt-Blade

Ref. No.	Part No.	Qty.	Description
6	3231-22	16	Screw-CARR
7	32128-21	16	Nut-HF
8	3256-24	1	Washer-Flat

Electrical Schematic



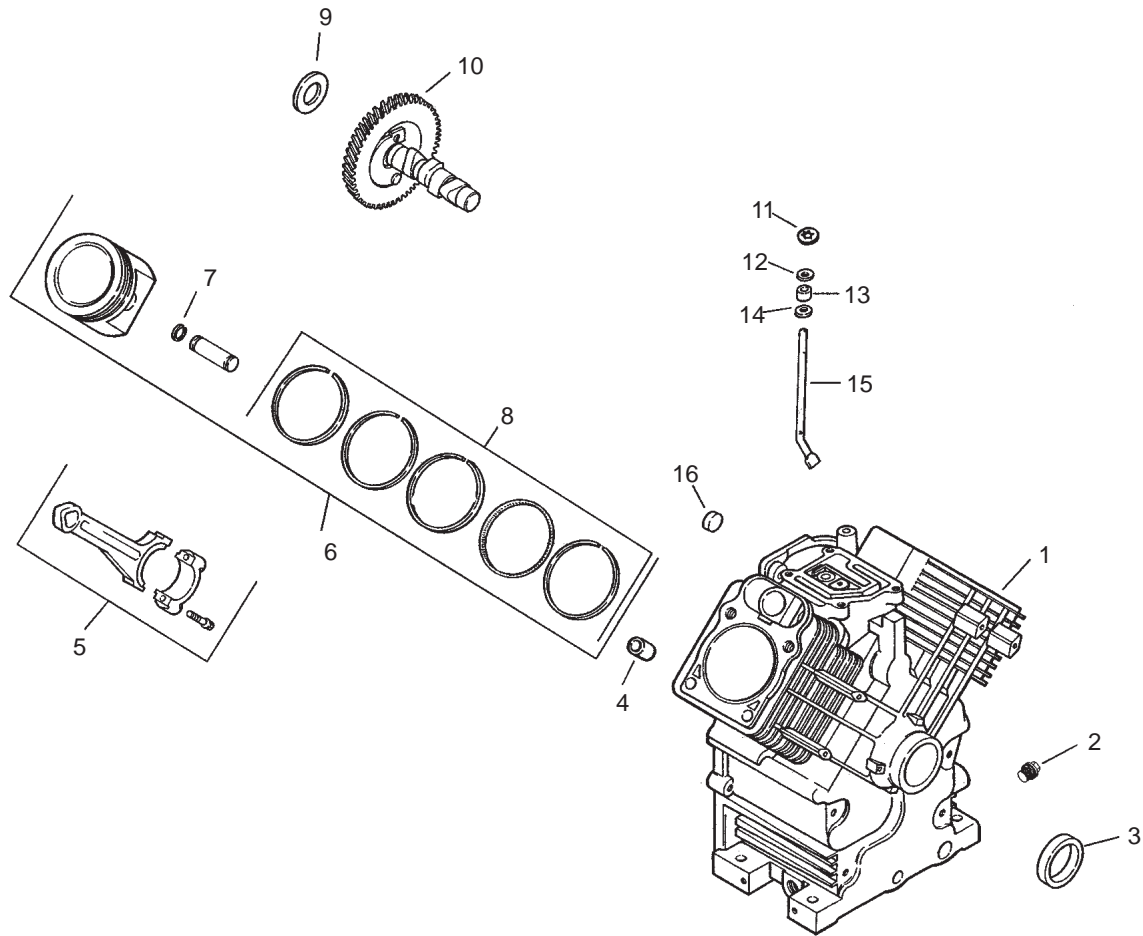


Group 1 – Crankshaft Assembly Kohler CH25S-68695

Ref. No.	Part No.	Qty.	Description
1	24 014 06-S	1	Crankshaft assembly (Includes 2)
2	52 139 09-S	1	Plug, cup

Ref. No.	Part No.	Qty.	Description

Obtain parts from Kohler

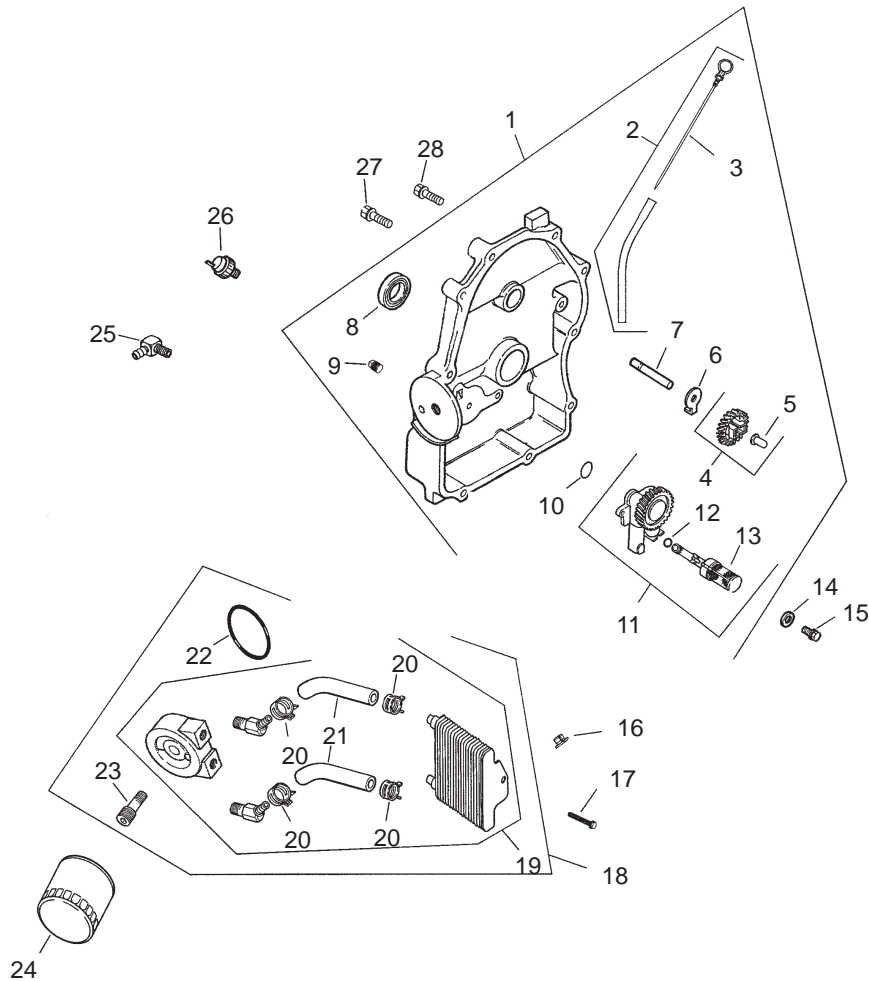


Group 2 – Crankcase Assembly Kohler CH25S-68695

Ref. No.	Part No.	Qty.	Description
1		1	Crankcase (USE: Short Block or Miniblock)
2	25 139 57-S	2	Plug, solid sq. hd. 3/8" N.P.T.F.
3	24 032 01-S	1	Seal, oil front
4	24 380 13-S	6	Pin, locating
5	24 067 13-S	2	Connecting Rod (Std.)
	24 067 14-S	2	Connecting Rod (.25)
6	24 874 08-S	2	Piston w/Ring Set (Std.) (Includes 7, 8)
	24 874 16-S	2	Piston w/Ring Set (.080) (Includes 7, 8)
7	24 018 01-S	4	Retainer, piston pin
8	24 108 05-S	2	Ring Set (Std.)
9	12 422 09-S	A.R.	Shim, camshaft
	12 422 13-S	A.R.	Shim, camshaft
	12 422 07-S	A.R.	Shim, camshaft
	12 422 08-S	A.R.	Shim, camshaft
	12 422 10-S	1	Shim, camshaft
	12 422 11-S	A.R.	Shim, camshaft
	12 422 12-S	A.R.	Shim, camshaft
10	24 012 10-S	1	Camshaft
11	24 018 09-S	1	Ring, retainer
12	M-931010-S	1	Washer, nylon (top)

Ref. No.	Part No.	Qty.	Description
13	28 032 09-S	1	Seal, governor cross shaft
14	24 468 15-S	1	Washer, (bottom)
15	24 144 33-S	1	Shaft, governor cross
16	52 139 09-S	1	Plug, cup

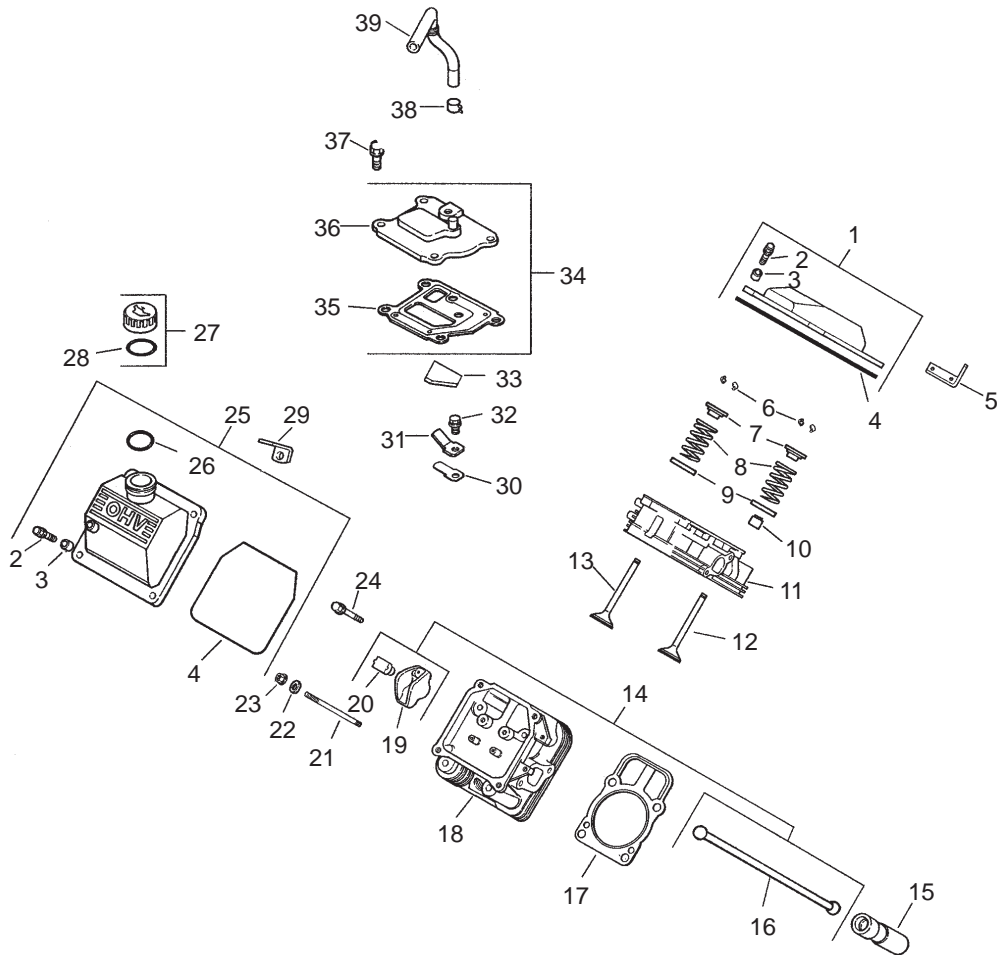
Obtain parts from Kohler



Group 3 – Oil Pan/Lubrication Assembly Kohler CH25S-68695

Ref. No.	Part No.	Qty.	Description	Ref. No.	Part No.	Qty.	Description
1	24 009 83-S	1	Kit, closure plate (Includes 2-13)	17	25 086 49-S	2	Screw, tapping 1/4-10x3/4"
2	24 755 121-S	1	Kit, dipstick & tube (Includes 3)	18	54 755 21-S	1	Kit, alum base oil cooler (Incl. 19-23)
3	24 038 10-S	1	Dipstick	19	24 594 09-S	1	Cooler, oil (Incl. 20, 21)
4	24 043 12-S	1	Kit, governor gear w/pin (Includes 5)	20	24 237 10-S	4	Clamp, hose
5	12 380 01-S	1	Pin, governor regulating	21	24 326 15-S	2	Hose
6	52 448 02-S	1	Tab, locking	22	24 153 13-S	1	O-Ring
7	12 144 02-S	1	Shaft, governor gear	23	28 136 01-S	1	Nipple, oil filter
8	52 032 08-S	1	Seal, oil (PTO end)	24	52 050 02-S	1	Filter, oil
9	25 139 60-S	2	Plug, allen hd. 1/8" pipe	25	25 155 02-S	1	Connector
10	24 153 08-S	1	O-Ring	26	24 099 03-S	1	Switch, oil pressure
11	24 393 10-S	1	Oil pump assembly (Includes 12, 13)	27	24 086 16-S	9	Screw, hex. flange M8x1.25x45
12	24 153 01-S	1	O-Ring, oil pick-up	28	24 086 17-S	1	Screw, hex. flange M8x1.25x45
13	24 381 04-S	1	Pick-up, oil		24 113 25-S	1	NOT ILLUSTRATED Decal, oil cooler
14	M-631005-S	2	Washer, plain 6 mm				
15	M-645025-S	2	Screw, hex. flange M6x1.0x25				
16	24 100 01-S	2	Nut, plastic				

Obtain parts from Kohler

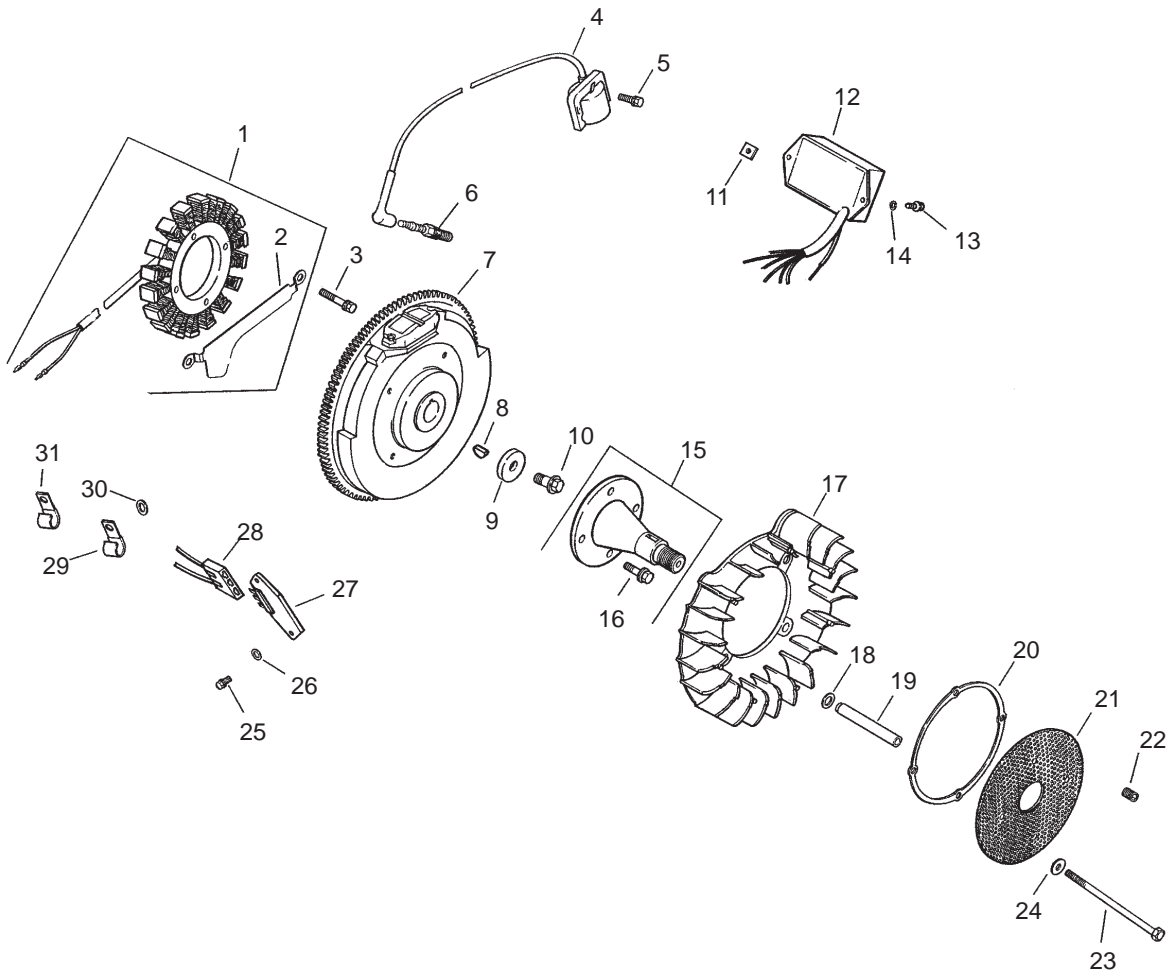


Group 4 – Head/Valve/Breather Assembly Kohler CH25S-68695

Ref. No.	Part No.	Qty.	Description
1	24 755 74-S	1	Kit, valve cover – plain (Includes 2-4)
2	M-651030-S	4	Screw, hex. flange M6x1.0x30
3	24 112 08-S	4	Spacer
4	24 153 16-S	1	O-Ring
5	24 445 01-S	1	Strap, lifting
6	12 755 03-S	4	Kit, retainer
7	12 173 01-S	4	Cap, valve spring
8	24 089 02-S	4	Spring, valve
9	235011-S	4	Retainer, spring
10	66 032 05-S	2	Seal, valve stem
11	24 318 65-S	1	Head asm, #1 cylinder
12	24 017 01-S	2	Valve, intake (Std.)
	24 017 02-S	2	Valve, intake (.25)
13	24 016 01-S	2	Valve, exhaust (Std.)
	24 016 02-S	2	Valve, exhaust (.25)
14	24 755 66-S	1	Kit, valve train (Includes 16, 19, 20)
15	25 351 01-S	4	Lifter, valve
16	24 411 05-S	4	Rod, push
17	24 041 37-S	2	Gasket, cylinder head
18	24 318 66-S	1	Head asm, #2 cylinder
19	25 186 01-S	4	Arm, rocker

Ref. No.	Part No.	Qty.	Description
20	24 599 01-S	4	Pivot, rocker arm
21	24 072 09-S	8	Stud M10x1.5x90
22	24 468 16-S	8	Washer, flat
23	24 100 10-S	8	Nut, hex. flg, M8x1.25
24	M-640034-S	4	Screw, hex M6x1.0x34
25	24 755 75-S	1	Kit, valve cover – oil fill (Includes 2-4, 26)
26	24 153 09-S	1	O-Ring
27	24 755 46-S	1	Kit, oil fill cap (Incl. 28)
28	12 153 03-S	1	O-Ring, oil fill cap
29	12 445 05-S	1	Strap, lifting
30	24 402 03-S	1	Reed, breather
31	12 018 01-S	1	Retainer, breather reed
32	M-545010-S	1	Screw, hex. flange M5x0.8x10
33	24 050 01-S	1	Filter, breather
34	24 033 01-S	1	Kit, breather (Incl. 35, 36)
35	24 041 23-S	1	Gasket, breather
36	24 096 58-S	1	Cover, breather
37	M-645020-S	4	Screw, hex. flange M6x1.0x20
38	25 237 08-S	1	Clamp, breather
39	24 326 31-S	1	Hose, breather

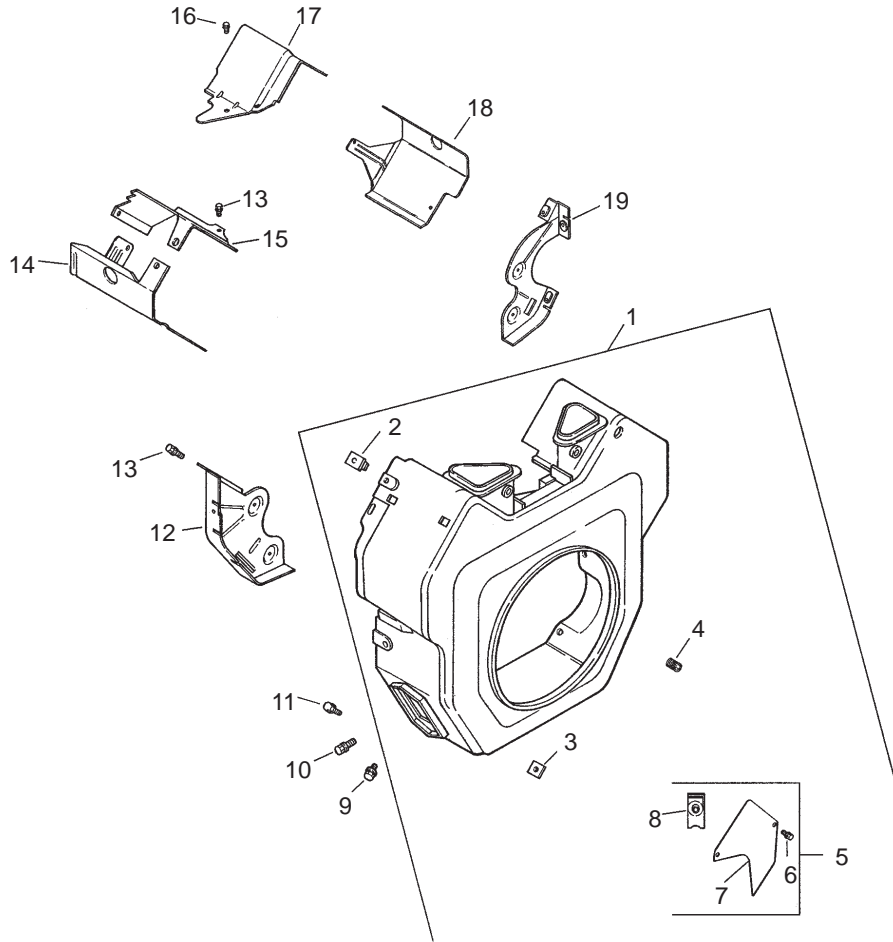
Obtain parts from Kohler



Group 5 – Ignition/Electrical Assembly Kohler CH25S-68695

Ref. No.	Part No.	Qty.	Description	Ref. No.	Part No.	Qty.	Description
1	54 755 09-S	1	Kit, 15 amp stator (Includes 2)	18	24 468 11-S	4	Washer, spring
2	24 126 71-S	1	Bracket, stator wire	19	24 112 14-S	4	Spacer
3	M-548025-S	2	Screw, hex. cap M5x0.8x25	20	24 141 06-S	1	Support, ring
4	24 584 15-S	2	Module, ignition	21	24 162 22-S	1	Screen, grass
5	M-561025-S	4	Screw, hex. socket hd. M5x0.8x25	22	25 086 43-S	1	Screw, set
6	12 132 06-S	2	Spark Plug	23	M-603100-S	4	Screw, hex. cap M6x1.0x100
7	24 025 14-S	1	Flywheel	24	X-25-53-S	4	Washer, plain 1/4"
8	X-42-15-S	1	Key	25	24 086 18-S	2	Screw, phillips hd. 11-16x7/8
9	12 468 03-S	1	Washer, plain 3/8"	26	X-25-92-S	2	Washer, plain 3/16"
10	12 086 14-S	1	Screw, hex. flange M10x1.5x46	27	25 403 03-S	1	Rectifier-regulator15a
11	24 100 02-S	2	Nut, plastic	28	236602-S	1	Connector
12	24 584 09-S	1	Module, speed advanc	29	47 154 01-S	1	Clip, cable (clamps wires to intake manifold)
13	24 086 41-S	2	Screw, phillips hd. 11-16x1/2"	30	X-25-63-S	1	Washer, plain 1/4"
14	X-22-11-S	1	Washer, lock 1/4"	31	48 154 02-S	1	Clip, cable (B+ lead) NOT ILLUSTRATED
15	24 755 08-S	1	Kit, front drive shaft (Includes 16)	24 176 98-S	1	Harness, wiring	
16	M-839025-S	4	Screw, hex. flange M8x1.25x25	24 518 12-S	1	Lead, black (5" – 12 gauge – insulated grip barrel eyelet terminals)	
17	24 157 03-S	1	Fan	25 454 03-S	2	Tie	

Obtain parts from Kohler

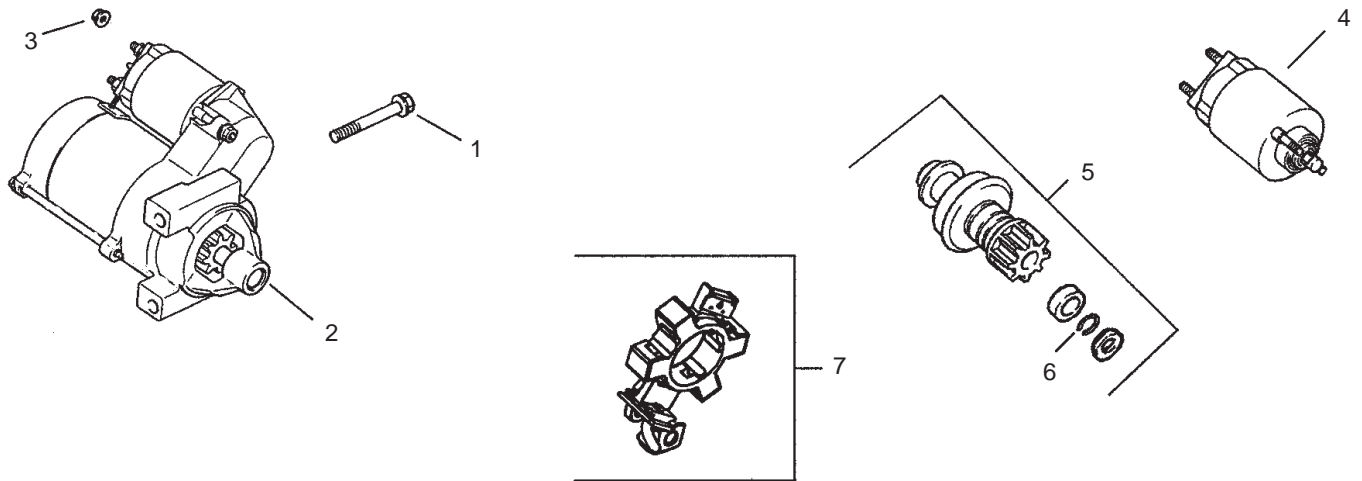


Group 6 – Blower Housing and Baffle Assembly Kohler CH25S-68695

Ref. No.	Part No.	Qty.	Description
1	84 027 05-S	1	Housing, blower asm (Includes 2-8)
2	24 100 01-S	3	Nut, plastic
3	24 100 02-S	2	Nut, plastic
4	25 086 43-S	1	Screw, set
5	25 755 21-S	1	Kit, access panel (Includes 6-8)
6	M-645016-S	4	Screw, hex. flange M6x1.0x16
7	24 096 64-S	2	Cover, access
8	25 154 02-S	4	Clip
9	M-551016-S	1	Screw, hex. flange M5x0.8x16
10	M-545016-S	2	Screw, hex flange M5x0.8x16
11	M-545020-S	4	Screw, hex flange M5x0.8x20
12	24 146 19-S	1	Plate, backing #2 side
13	M-645016-S	6	Screw, hex. flange M6x1.0x16
14	24 063 39-S	1	Baffle, cylinder barrel #2 side
15	24 063 17-S	1	Baffle, valley #2 side

Ref. No.	Part No.	Qty.	Description
16	M-545010-S	2	Screw, hex. flange M5x0.8x10
17	24 063 24-S	1	Baffle, valley #1 side
18	24 063 58-S	1	Baffle, cylinder barrel #1 side
19	24 146 20-S	1	Plate, backing #1 side
	24 146 34-S	1	Plate, HP

Obtain parts from Kohler

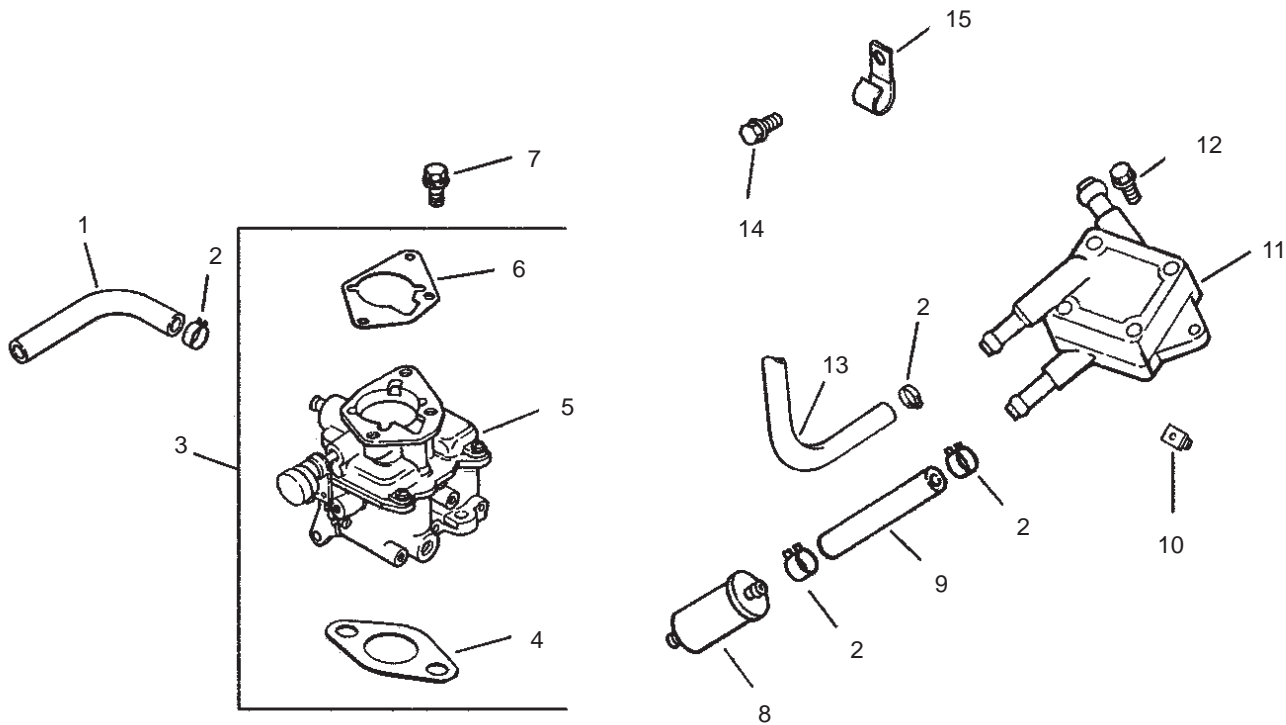


Group 7 – Starting System Assembly Kohler CH25S-68695

Ref. No.	Part No.	Qty.	Description
1	M-839080-S	2	Screw, hex. flange M8x1.25x80
2	25 098 08-S	1	Starter, solenoid shift asm (Includes 4-7)
3	M-841080-S	1	Nut, hex. flange M8x1.25
4	25 435 04-S	1	Kit, solenoid
5	25 755 33-S	1	Kit, pinion drive (Includes 6)
6	25 141 05-S	1	Ring
7	25 221 01-S	1	Kit, brush

Ref. No.	Part No.	Qty.	Description

Obtain parts from Kohler

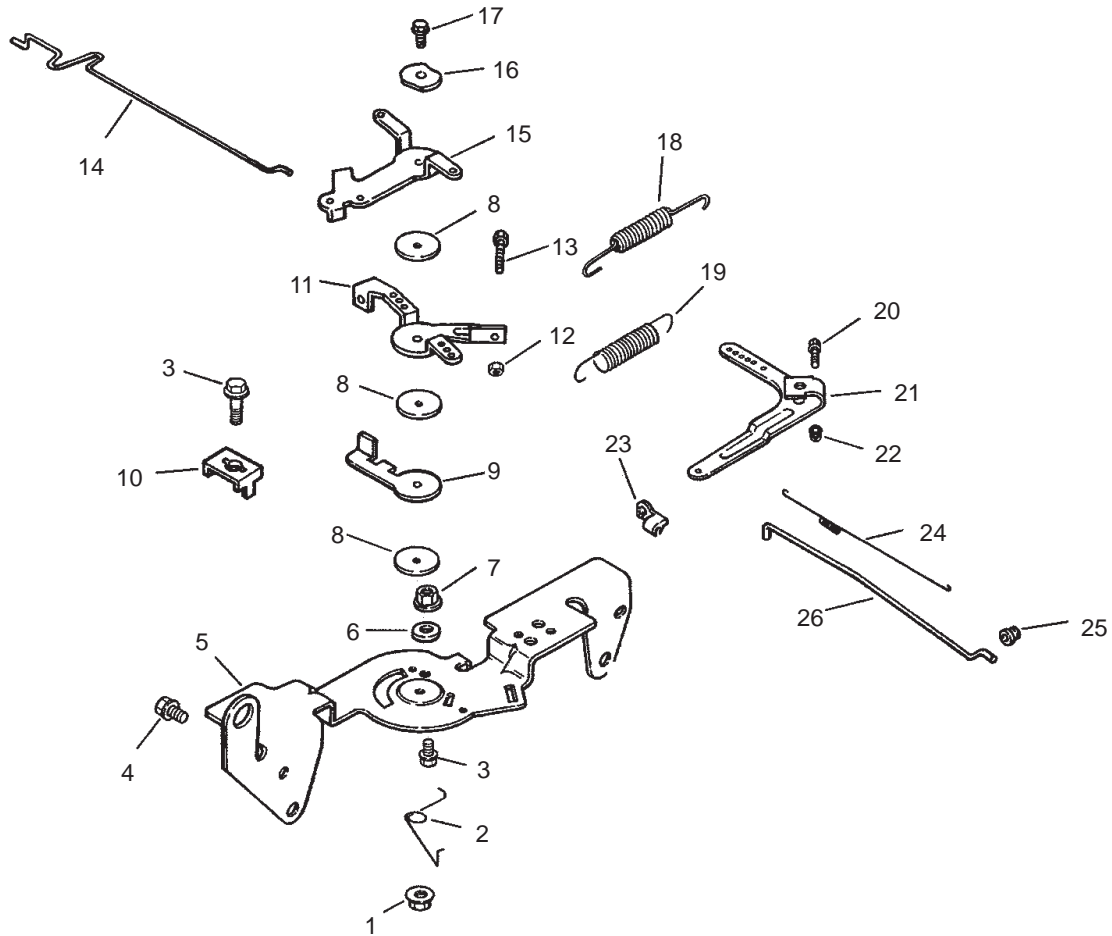


Group 8 – Fuel System Assembly Kohler CH25S-68695

Ref. No.	Part No.	Qty.	Description
1	25 353 32-S	1	Line, fuel 9-1/4"
2	25 237 14-S	6	Clamp, hose
3	24 853 78-S	1	Kit, carburetor with gasket (Includes 4-6)
4	24 041 17-S	1	Gasket, carburetor
5	24 053 78	1	Carburetor asm. (For information only not available separately) (Service with: 24 757 01-S, 24 757 02-S, 24 757 03-S, 24 757 07-S, 24 757 08-S, 24 757 09-S)
6	24 041 06-S	1	Gasket, air cleaner
7	M-651030-S	2	Screw, hex. flange M6x1.0x30
8	24 050 02-S	1	Filter, fuel
9	25 353 15-S	1	Line, fuel 3-1/2"
10	24 100 01-S	2	Nut, plastic
11	24 393 16-S	1	Pump, fuel – pulse
12	24 086 12-S	2	Screw, hex. cap 18 mm
13	24 353 02-S	1	Line, fuel 15-1/2"
14	M-650012-S	1	Screw, hex. flange M6x1.0x10

Ref. No.	Part No.	Qty.	Description
15	47 154 01-S	1	Clip, cable
			NOT ILLUSTRATED
	24 757 01-S	1	Kit, solenoid
	24 757 02-S	1	Kit, float
	24 757 03-S	1	Kit, carburetor repair
	24 757 07-S	1	Kit, choke repair
	24 757 08-S	1	Kit, repair – accelerator pump seal & bushing
	24 757 09-S	1	Kit, repair – accelerator pump diaphragm

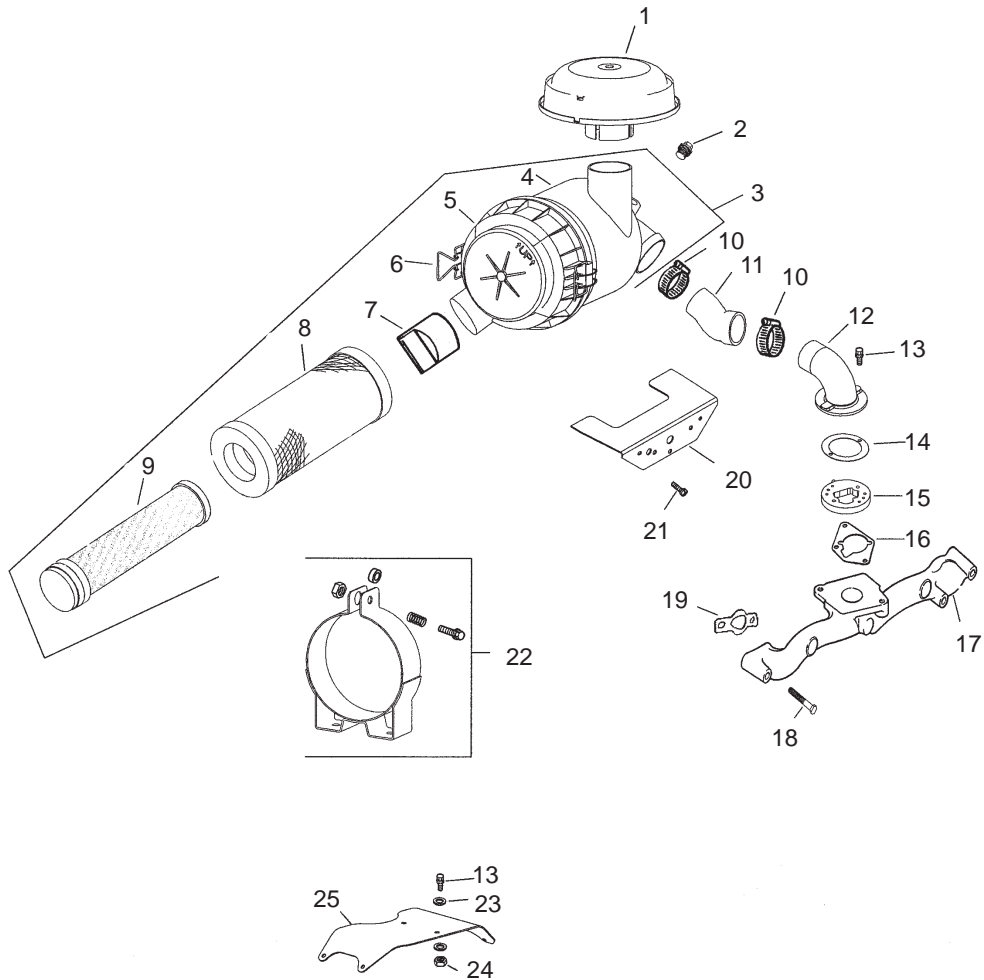
Obtain parts from Kohler



Group 9 – Engine Control Assembly Kohler CH25S-68695

Ref. No.	Part No.	Qty.	Description	Ref. No.	Part No.	Qty.	Description
1	M-547050-S	1	Nut, hex. lock M5x0.8	19	24 089 44-S	1	Spring, governor
2	24 089 03-S	1	Spring, choke return	20	24 211 03-S	1	Bolt, rd. hd. sq. neck M6x1.0x25
3	M-545016-S	3	Screw hex. flange M5x0.8x16	21	24 090 33-S	1	Lever, governor
4	M-645016-S	4	Screw, hex. flange M6x1.0x16	22	M-641060-S	1	Nut, hex. flange M6x1.0
5	24 126 56-S	1	Bracket, control	23	25 158 11-S	1	Bushing, linkage retaining
6	X-20-1-S	1	Washer, lock 1/4"	24	24 089 01-S	1	Spring, linkage
7	M-541050-S	1	Nut, hex. flange M5x0.8	25	25 158 08-S	1	Bushing, throttle linkage
8	24 468 01-S	3	Washer, plain 1/4"	26	24 079 01-S	1	Linkage, throttle
9	24 090 07-S	1	Lever, throttle actuator				
10	12 237 01-S	2	Clamp, cable				
11	24 090 03-S	1	Lever, throttle control				
12	M-446030-S	1	Nut, hex. flange M4x0.7				
13	M-401030-S	1	Screw, hex. flange M4x0.7x30				
14	24 079 02-S	1	Linkage, choke				
15	24 090 05-S	1	Lever, choke				
16	41 468 03-S	1	Washer, spring 1/4"				
17	M-545020-S	1	Screw, hex. flange M5x0.8x20				
18	24 089 51-S	1	Spring, throttle limiter				

Obtain parts from Kohler

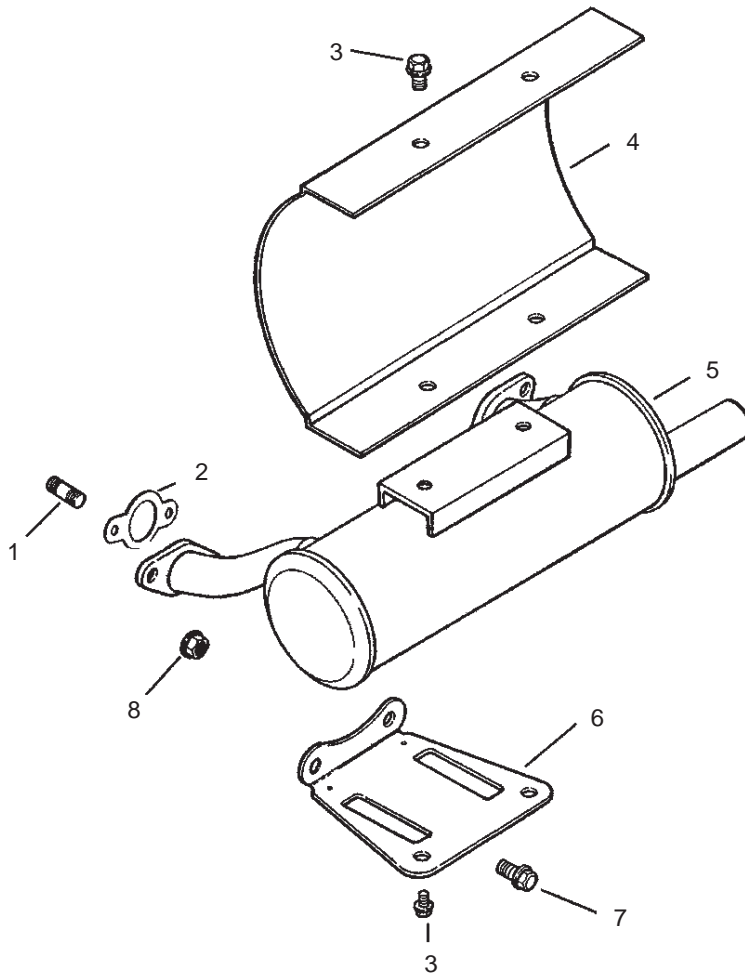


Group 10 – Air Intake/Filtration Assembly Kohler CH25S-68695

Ref. No.	Part No.	Qty.	Description
1	25 324 02-S	1	Hood, air cleaner
2	25 139 20-S	1	Plug, pipe
3	25 048 07-S	1	Cleaner, heavy duty air (Includes 4-9)
4	25 081 01-S	1	Housing, heavy duty air cleaner
5	25 096 06-S	1	Cover, heavy duty air cleaner
6	25 154 05-S	2	Clip
7	24 462 07-S	1	Valve, dust ejector
8	25 083 01-S	1	Element – primary
9	25 083 04-S	1	Element – safety filter
10	25 237 07-S	2	Clamp, hose
11	24 326 32-S	1	Hose, air cleaner
12	24 029 21-S	1	Adapter, remote air cleaner
13	M-639016-S	6	Screw, hex. flange M6x1.0x16
14	24 041 34-S	1	Gasket, adapter
15	24 029 24-S	1	Adapter
16	24 041 06-S	1	Gasket, air cleaner base
17	24 164 14-S	1	Manifold, intake

Ref. No.	Part No.	Qty.	Description
18	25 086 84-S	4	Screw, hex. flange M6x1.0x55
19	24 041 01-S	2	Gasket, intake manifold
20	24 314 25-S	1	Shield, debris
21	24 086 06-S	4	Screw, phillips hd. 11-16x3/4"
22	25 126 02-S	1	Bracket, air cleaner
23	X-25-73-S	4	Washer, plain 1/4"
24	M-647060-S	2	Nut, hex. lock M6x0.8
25	24 126 98-S	1	Bracket, air cleaner

Obtain parts from Kohler



Group 11 – Exhaust Assembly Kohler CH25S-68695

Ref. No.	Part No.	Qty.	Description
1	25 072 04-S	4	Stud, M8x1.25x33
2	24 041 02-S	2	Gasket, exhaust
3	M-650012-S	4	Screw, hex. flange M6x1.0x12
4	24 314 04-S	1	Shield, heat
5	24 068 18-S	1	Muffler
6	24 126 12-S	1	Bracket, muffler
7	M-839020-S	2	Screw, hex. flange M8x1.25x20
8	M-841080-S	4	Nut, hex. flange M8x1.25
	24 755 113-S	1	Gasket Set

Ref. No.	Part No.	Qty.	Description

Obtain parts from Kohler

