



## Z255

### Z Master<sup>®</sup> with 62in SFS Side Discharge Mower

Model No. 74226—22000001 and Up

## Parts Catalog

### Ordering Replacement Parts

To order replacement parts, please supply: the part number, the quantity, and the description of each part desired.

### Understanding Reference Numbers

Each identified part in an illustration has a reference number. The reference number for a part also appears in the parts list, along with other information about the part.

This catalog uses two special reference number formats, one to indicate parts in a service assembly and another to indicate the quantity of a given part in an illustration.

### Service Assembly Reference Numbers

Parts in service assemblies have reference numbers in the form **a:b**. The **a** represents the reference number of the entire service assembly and the **b** represents a sequential number unique to each part within the service assembly.

For example, a wheel assembly might be identified by reference number **6**, the tire by **6:1**, the valve by **6:2**, and the wheel by **6:3**. When you order the assembly identified by reference number **6**, you receive all parts identified by reference numbers **6:1**, **6:2**, and **6:3**. However, you may also order any part individually.

Reference numbers of this type appear in illustrations and in part lists.

### Reference Numbers Indicating Quantity

In an illustration, if a reference number indicates more than one part, the reference number has the form **nX y**. The **n** represents the quantity of the part, the **X** is the multiplication symbol, and the **y** represents the reference number.

For example, in an illustration, the reference number **2X 37** means that two of the parts identified by reference number **37** are indicated.

## Contents

<b>Description</b>	<b>Page</b>	<b>Description</b>	<b>Page</b>
Front Frame Assembly .....	4	Group 2 – Crankcase Assembly	
Caster and Wheel Assembly .....	5	Kohler CH25S-68695 .....	24
Main Frame Assembly .....	6	Group 3 – Oil Pan/Lubrication Assembly	
Brake and Wheel Hub Assembly .....	7	Kohler CH25S-68695 .....	25
Steering Control Assembly .....	8	Group 4 – Head/Valve/Breather Assembly	
Hydraulic System Assembly .....	9	Kohler CH25S-68695 .....	26
Seat Assembly .....	11	Group 5 – Ignition/Electrical Assembly	
Deck Connection Assembly .....	12	Kohler CH25S-68695 .....	27
Drive Idler Assembly .....	13	Group 6 – Blower Housing and Baffle Assembly	
Z-Stand Assembly .....	14	Kohler CH25S-68695 .....	28
Engine and Clutch Assembly .....	15	Group 7 – Starting System Assembly	
Guard Assembly .....	16	Kohler CH25S-68695 .....	29
Fuel System Assembly .....	17	Group 8 – Fuel System Assembly	
Electrical System Assembly .....	18	Kohler CH25S-68695 .....	30
Deck, Deflector and Roller Assembly .....	19	Group 9 – Engine Control Assembly	
Spindle and Pulley Assembly .....	20	Kohler CH25S-68695 .....	31
Belt and Idler Arm Assembly .....	21	Group 10 – Air Intake/Filtration Assembly	
Electrical Schematic .....	22	Kohler CH25S-68695 .....	32
Group 1 – Crankshaft Assembly		Group 11 – Exhaust Assembly	
Kohler CH25S-68695 .....	23	Kohler CH25S-68695 .....	33

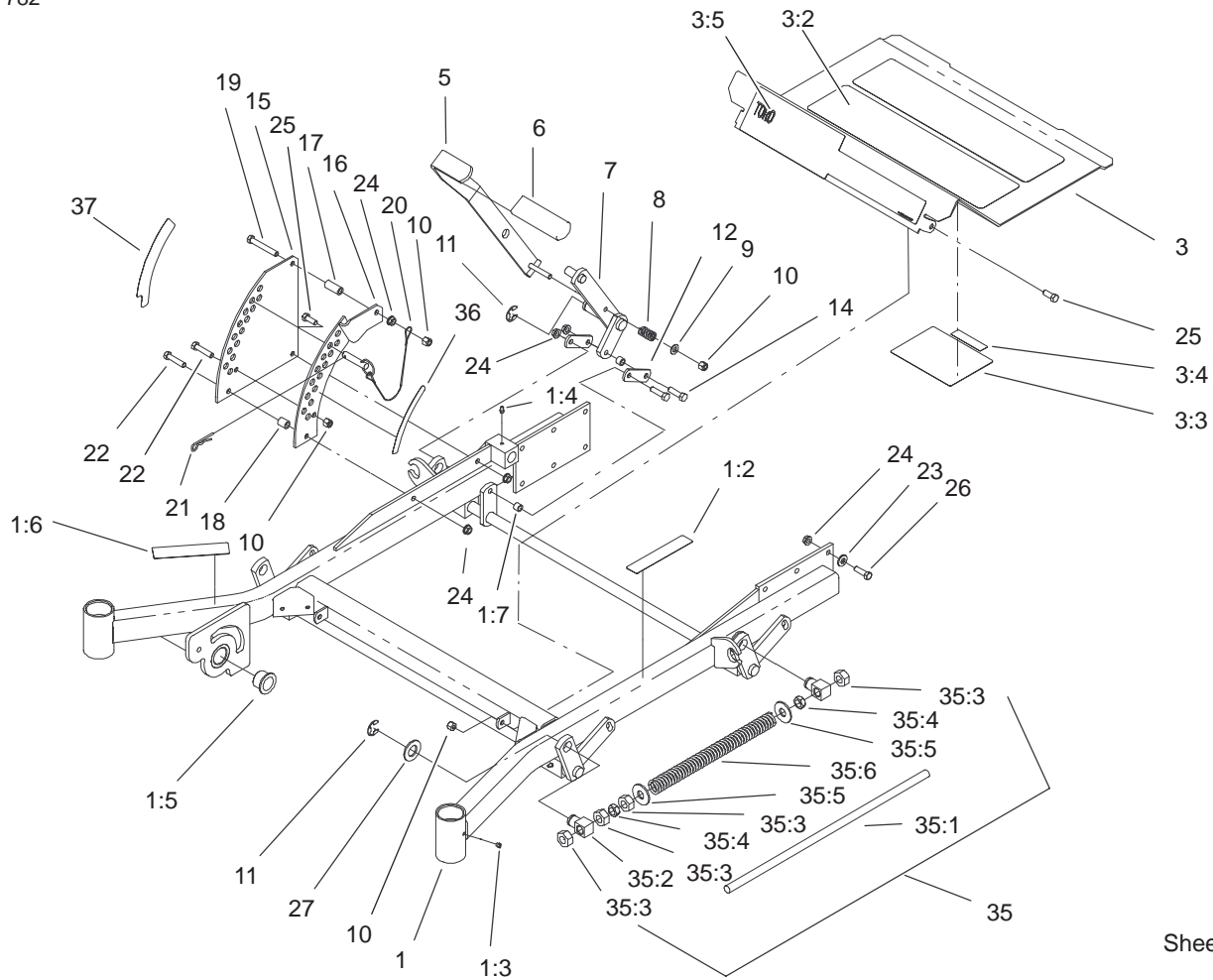
## Accessories

<b>Description</b>	<b>Model / Part No.</b>	<b>Description</b>	<b>Model / Part No.</b>
Suspension Seat Kit .....	99-8522	Z-Recycler Kit .....	100-9600
Hitch Kit .....	99-8925	Spark Arrester Kit .....	105-1672
Atomic Blade .....	104-1303	Filter Minder .....	99-4664
Striping Kit .....	30163		

## Part Description Abbreviations

Part descriptions in this catalog may include the following abbreviations.

<b>Abbreviation</b>	<b>Meaning</b>	<b>Abbreviation</b>	<b>Meaning</b>
AR .....	as required	HYD .....	hydraulic
ASM .....	assembly	INC .....	incorporated
CARR .....	carriage	LH .....	left hand
DEG .....	degrees	NI .....	nylon insert
FH .....	flat head	PPH .....	Phillips pan head
GA .....	gauge	PTH .....	Phillips truss head
HF .....	hex flange	PTO .....	power take off
HH .....	hex head	RH .....	right hand
HHF .....	hex head flange	SFH .....	slotted fillister head
HLH .....	hex lag head	SHH .....	slotted hex head
HJ .....	hex jam	SQH .....	square head
HOC .....	height-of-cut	SHWH .....	slotted hex washer head
HS .....	hex socket	SPH .....	slotted pan head
HSBH .....	hex socket button head	SRH .....	slotted round head
HSFH .....	hex socket flat head	STD .....	standard
HSH .....	hex socket head	TAP .....	self tapping
HWH .....	hex washer head	TTH .....	Torx truss head
HWHTF .....	hex washer head thread forming	WH .....	wing head



Sheet No.: 2

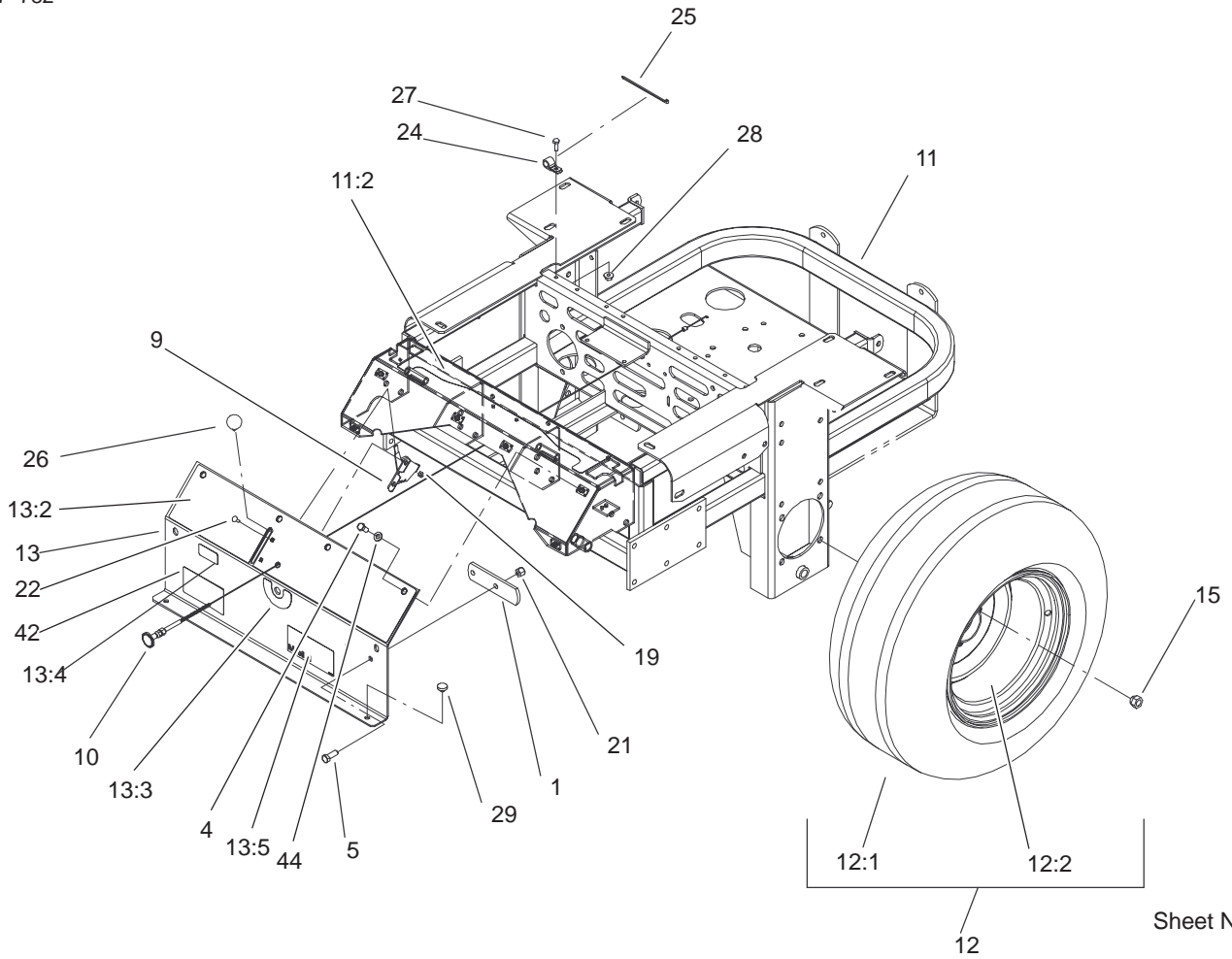
## Front Frame Assembly

Ref. No.	Part No.	Qty.	Description
1	104-5132	1	Frame ASM
1:2	1-633818	1	Decal-Warning
1:3	1-811010	2	Plug
1:4	302-19	5	Fitting-Grease
1:5	94-1291	2	Bushing-Special
1:6	104-7759	1	Decal-Warning
1:7	103-1918	1	Bushing
3	100-6509	1	Floorpan ASM
3:2	1-633553	3	Pad-Antiskid
3:3	1-633766	1	Decal-Check
3:4	98-5954	1	Decal-Missing, Cover
3:5	1-633737	1	Decal-Z-Master
5	103-2083-03	1	Lever-Lift
6	1-633295	1	Grip-Lever, Lift
7	103-2064-03	1	Arm-Lift, Deck
8	1-633325	1	Spring-Compression
9	3256-24	1	Washer-Flat
10	3296-39	5	Nut-Lock, NI
11	32151-103	5	Ring-Snap
12	1-633068	2	Arm-Lift, Deck
14	323-29	2	Screw-HH
15	1-633889-01	1	Plate-Lift, Deck
16	1-632899-01	1	Plate-Lift, Deck
17	1-633082	1	Bushing-Lever, Lift
18	1-633080	1	Bushing-Lever, Lift
19	323-13	1	Screw-HH

Ref. No.	Part No.	Qty.	Description
20	1-633097	1	Pin-Hitch W/Lanyard
21	1-806005	1	Pin-Hair
22	323-9	2	Screw-HH
23	98-5975	12	Washer-Belleville
24	3290-357	17	Nut-HHF
25	323-6	3	Screw-HH
26	323-7	12	Screw-HH
27	3256-29	4	Washer-Flat
☆35		2	Front Frame Spring ASM
35:1	1-633096	1	Rod-Lift, Deck
35:2	1-633441	2	Swivel-Deck Mount, Rear
35:3	3217-11	4	Nut-Hex
35:4	3218-6	2	Nut-Jam
35:5	3256-7	2	Washer-Flat
35:6	1-633064	1	Spring-Support, Deck
36	1-633706	1	Decal-Height, Deck
37	1-633345	1	Decal-Height, Deck

☆ Not serviced separately



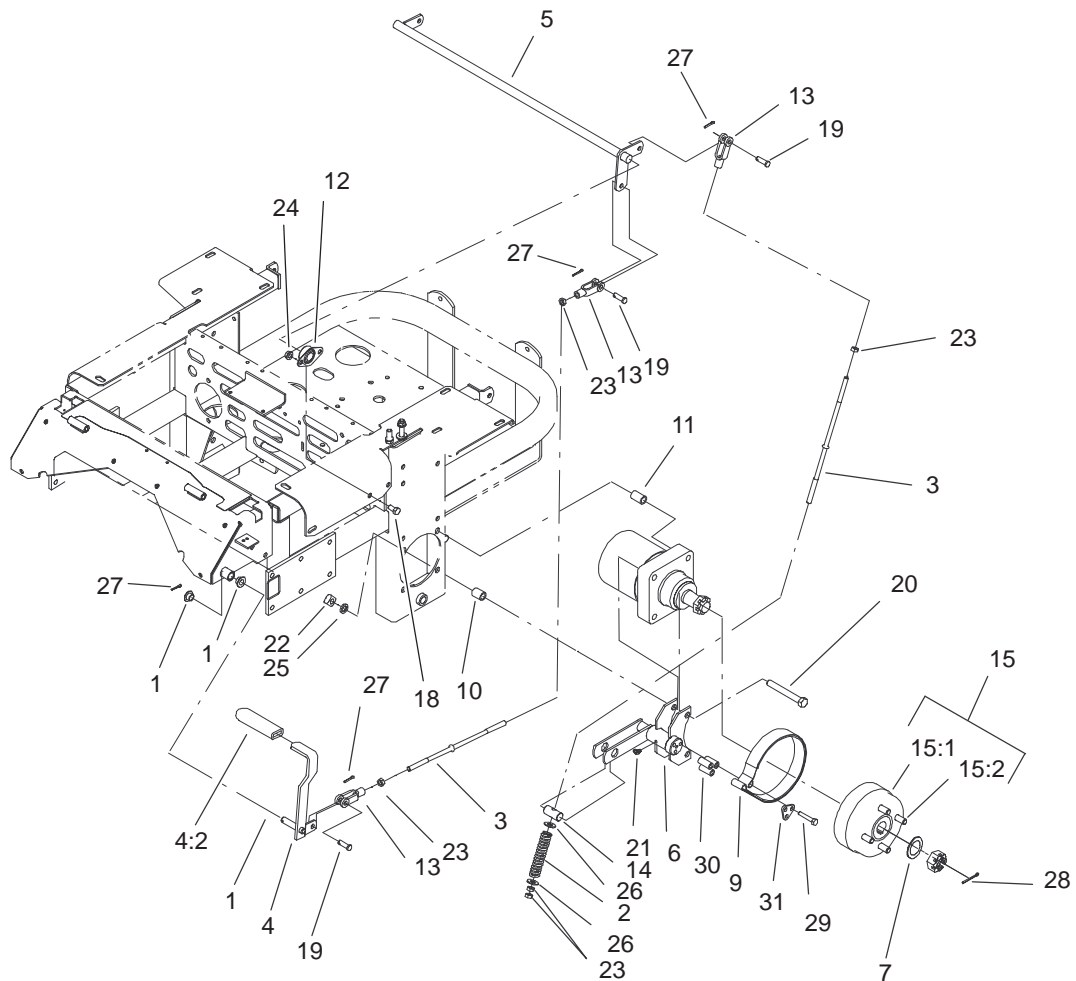


Sheet No.: 4

## Main Frame Assembly

Ref. No.	Part No.	Qty.	Description
1	1-633964-03	1	Stop-Brake, Park
4	322-3	6	Screw-HH
5	323-6	2	Screw-HH
9	1-633696	1	Cable-Throttle
10	1-603336	1	Control-Choke
11	105-6120	1	Rear Frame ASM
11:2	103-2433	1	Decal, Top Console
12	1-633970	2	Wheel & Tire ASM
12:1	1-633993	1	Tire
12:2	1-633992	1	Wheel
13	99-4623	1	Console ASM
13:2	100-4311	1	Decal-Panel, Control
13:3	103-0262	1	Decal-Valve, Fuel
13:4	98-4387	1	Decal-Protection, Ear
13:5	104-8172	1	Decal-Mobil 1
15	242-50	8	Nut-Lug
19	3296-2	2	Nut-Lock
21	3296-39	2	Nut-Lock, NI
22	1-807513	2	Bolt-CARR
24	1-513762	1	Clip-Loom
25	1-303335	1	Tie-Plastic
26	1-513592	1	Knob-Ball
27	321-4	1	Screw-HH
28	32128-33	1	Nut-HF
29	1-513658	2	Bumper-Catcher, Grass

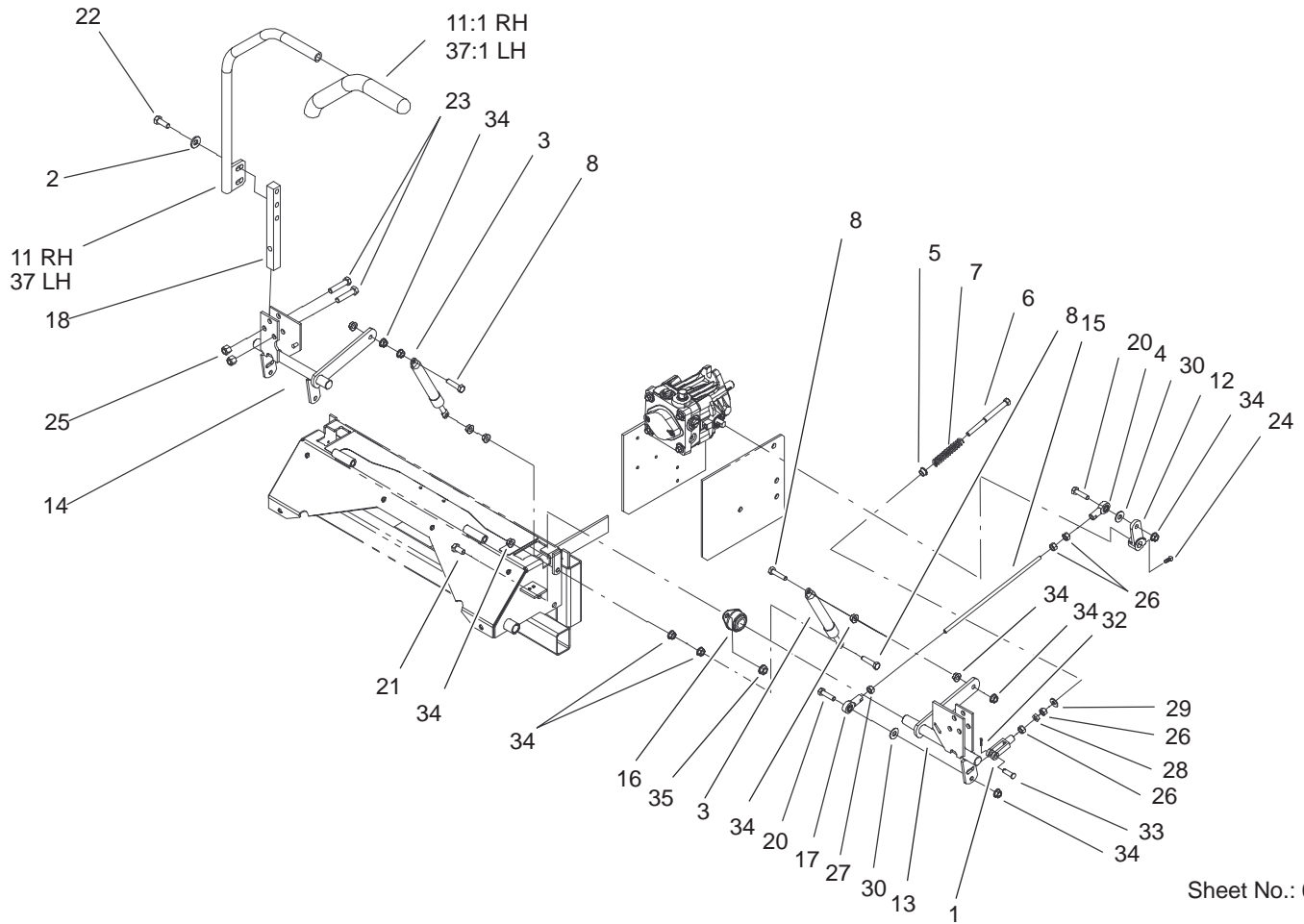
Ref. No.	Part No.	Qty.	Description
42	1-633736	1	Decal-Toro, Z255
44	3256-23	6	Washer-Flat



Sheet No.: 5

## Brake and Wheel Hub Assembly

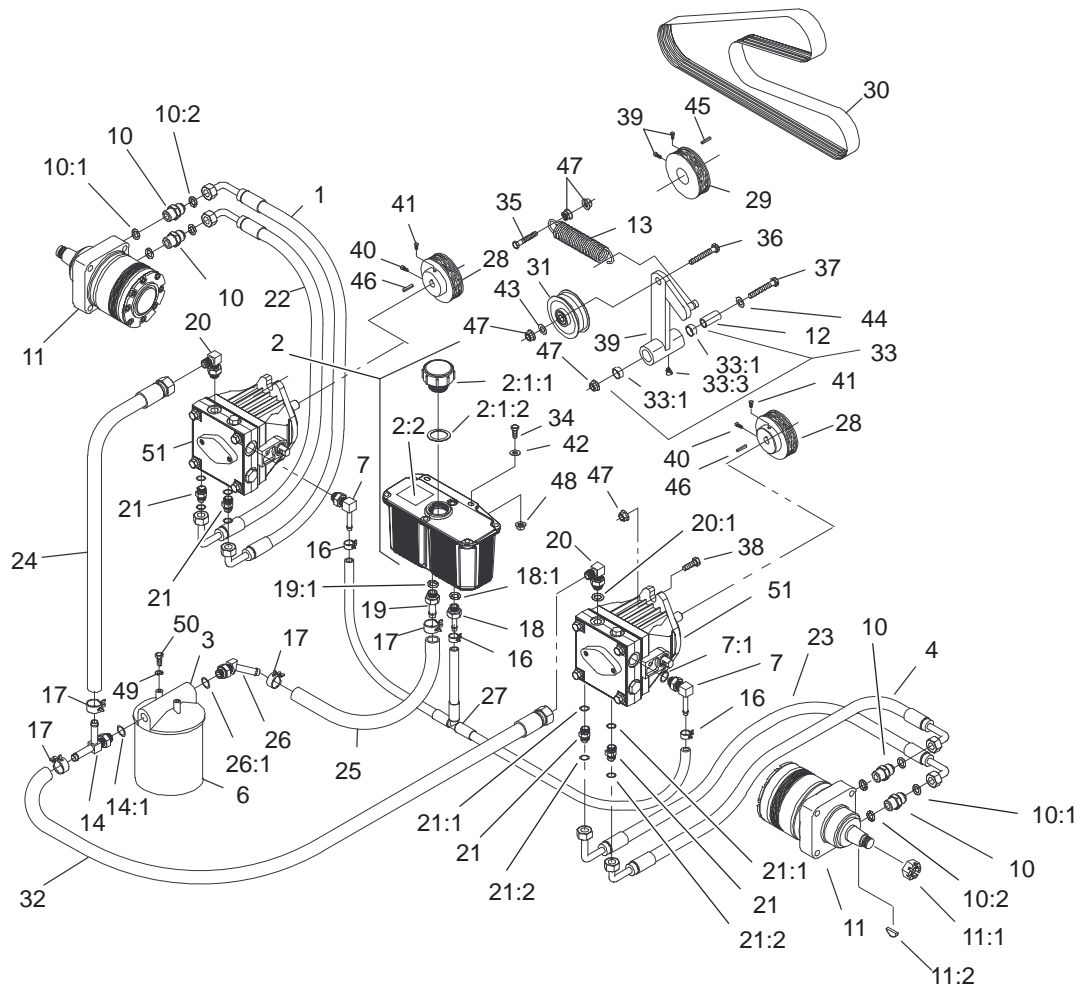
Ref. No.	Part No.	Qty.	Description	Ref. No.	Part No.	Qty.	Description
1	1-513140	2	Bearing-Control	27	3272-10	7	Pin-Cotter
2	1-633454	2	Spring-Brake	28	1-806800	2	Pin-Cotter
3	1-633477	3	Rod-Brake	29	322-9	6	Screw-HH
4	1-634500	1	Brake Lever ASM	30	103-0384	6	Spacer
4:2	1-633268	1	Grip-Lever, Brake	31	103-0374	2	Retainer-Band, Brake
5	1-632217-03	1	Shaft-Brake				
6	103-0352-03	2	Bracket-Brake				
7	1-523157	2	Washer-Spacer				
9	103-0355	2	Band-Brake				
10	1-633380	4	Spacer-Wheel, Short				
11	1-633382	4	Spacer-Wheel, Long				
12	1-633102	2	Bearing-Flange, Side				
13	1-633131	4	Yoke-Linkage, Brake				
14	1-633144	2	Pin-Trunion				
15	103-0590	2	Hub-Wheel				
15:1	103-0589	1	Hub-Wheel				
15:2	1-633926	4	Stud-Wheel				
18	323-4	4	Screw-HH				
19	1-808285	4	Pin-Clevis				
20	325-17	8	Screw-HH				
21	1481	2	Fitting-Grease				
22	103-0131	8	Nut-Square				
23	3219-3	8	Nut-HH				
24	3290-357	4	Nut-HHF				
25	3253-7	8	Washer-Lock				
26	3256-4	4	Washer-Flat				



## Steering Control Assembly

Ref. No.	Part No.	Qty.	Description
1	1-303105	2	Yoke-Adjustable
2	98-5975	4	Washer-Belleville
3	1-523027	2	Damper-Control
4	1-543017	2	Balljoint-RH
5	1-603735	2	Bushing-Flanged
6	1-603737	2	Bolt-Return, Neutral
7	1-603807	2	Spring-Return, Neutral
8	1-403180	4	Screw-HH
11	103-0632	1	RH Lever ASM
11:1	1-633257	1	Grip-Control, Motion
12	1-632208	2	Arm-Control, Pump
13	1-642319	1	Control-Motion, LH
14	1-642320	1	Control-Motion, RH
15	1-633153	2	Linkage-Pump/Lever
16	1-633102	4	Bearing-Flange, Side
17	1-633152	2	Balljoint-Thread, LH
18	103-0407	2	Arm-Shaft, Control
20	322-6	4	Screw-HH
21	323-4	8	Screw-HH
22	323-6	4	Screw-HH
23	323-9	6	Screw-HH
24	1-803022	2	Screw
25	3296-39	6	Nut-Lock, NI
26	3219-2	10	Nut-Hex
27	1-804524	2	Nut

Ref. No.	Part No.	Qty.	Description
28	3220-2	2	Nut
29	3256-2	2	Washer-Flat
30	3256-3	4	Washer-Flat
32	3272-5	2	Pin-Cotter
33	1-808280	2	Pin-Clevis
34	32128-20	16	Nut-HF
35	3290-357	8	Nut-HHF
37	103-0631	1	LH Lever ASM
37:1	1-633257	1	Grip-Control, Motion



Sheet No.: 7

## Hydraulic System Assembly

Ref. No.	Part No.	Qty.	Description	Ref. No.	Part No.	Qty.	Description
1	103-1764	1	Upper RH Hose ASM	17	103-1988	4	Clamp-Hose
2	103-1947	1	HYD Reservoir ASM	18	103-1801	1	Adapter-Straight
☆2:1		1	Reservoir-HYD	18:1	237-42	1	O-Ring
2:1:1	103-1948	1	Cap-HYD Reservoir	19	103-1912	1	Adapter-Straight
2:1:2	103-1949	1	Gasket-Cap	19:1	237-42	1	O-Ring
2:2	1-523552	1	Decal-Tank, Hydraulic	20	103-1802	2	Elbow-90°
3	104-7836	1	Head-Filter	20:1	237-42	1	O-Ring
4	103-1682	1	Upper LH Hose ASM	21	1-603990	4	Fitting-Straight
6	1-633750	1	Filter-HYD	21:1	237-79	1	O-Ring
6	1-633752	1	Filter-HYD, Winter	21:2	1-603992	1	O-Ring
7	103-1799	2	Elbow-90°	22	103-1765	1	Lower RH Hose ASM
7:1	237-42	1	O-Ring	23	103-1683	1	Lower LH Hose ASM
10	1-603991	4	Fitting-Straight	24	103-1826	1	HYD Hose ASM
10:1	237-80	1	O-Ring	25	103-1808	1	Hose-HYD
10:2	1-603992	1	O-Ring	26	103-1807	1	Elbow-45°
11	1-523328	2	Motor-Wheel	26:1	237-42	1	O-Ring
11:1	1-809036	1	Nut-HH	27	103-1806	1	HYD Hose ASM
11:2	3257-42	1	Key-Woodruff	28	1-633568	2	Sheave
*11:99	1-000099	1	Kit-Seal	29	1-633567	1	Sheave
*11:99	1-000139	1	Kit-Bearing	30	1-633749	1	Belt-Drive, Pump
*11:99	103-2748	1	Kit-Link, Drive	31	1-633167	1	Sheave-Idler
12	1-603384	1	Bushing-Pivot, Idler	32	103-1827	1	HYD Hose ASM
13	1-633151	1	Spring-Extension	33	1-634277	1	Bearing Arm ASM
14	103-1828	1	Adapter-Run, Tee	33:1	1-513034	2	Sleeve-Bearing
14:1	237-42	1	O-Ring	33:3	302-40	1	Fitting-Grease
16	103-1716	3	Clamp-Hose	34	321-6	2	Screw-HH

☆ Not serviced separately

\* Not illustrated





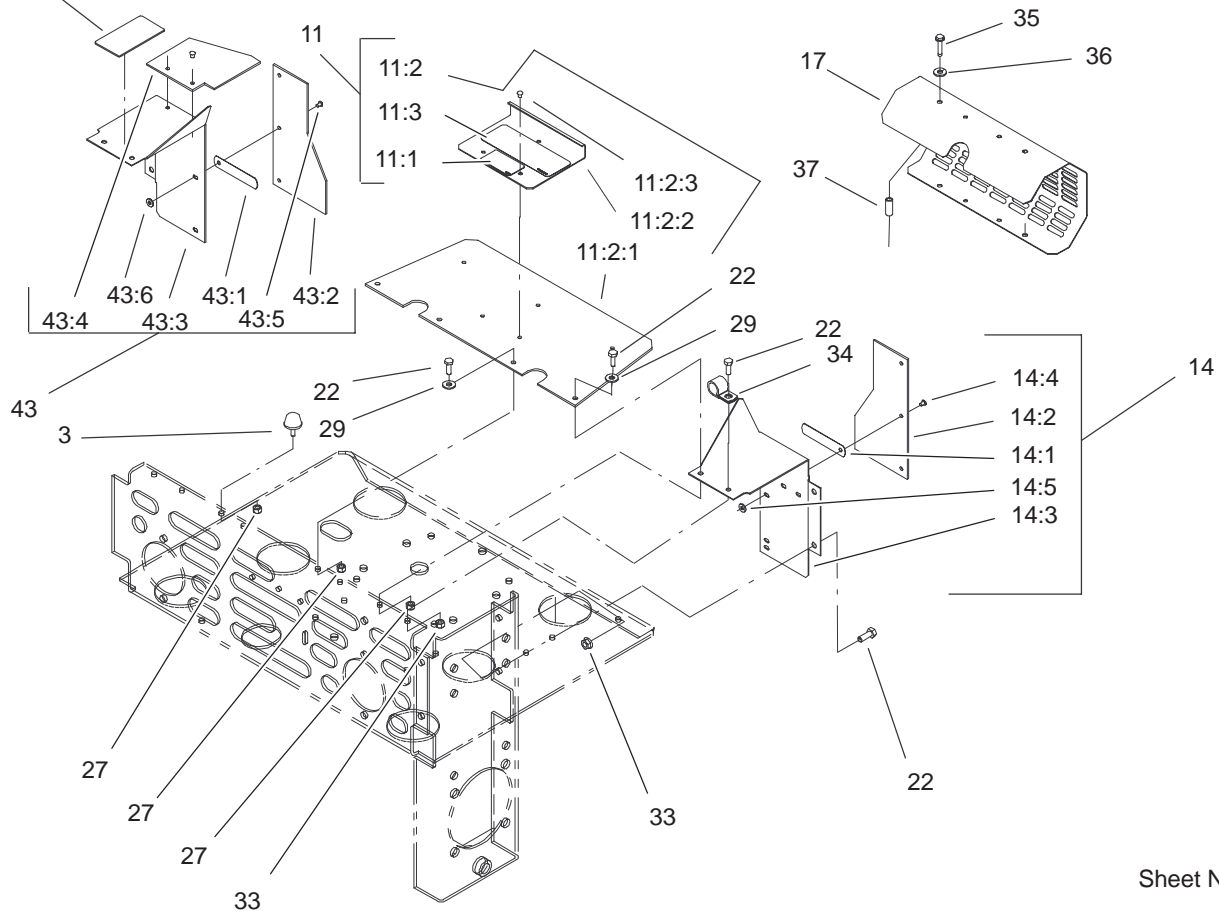








3327-782  
44



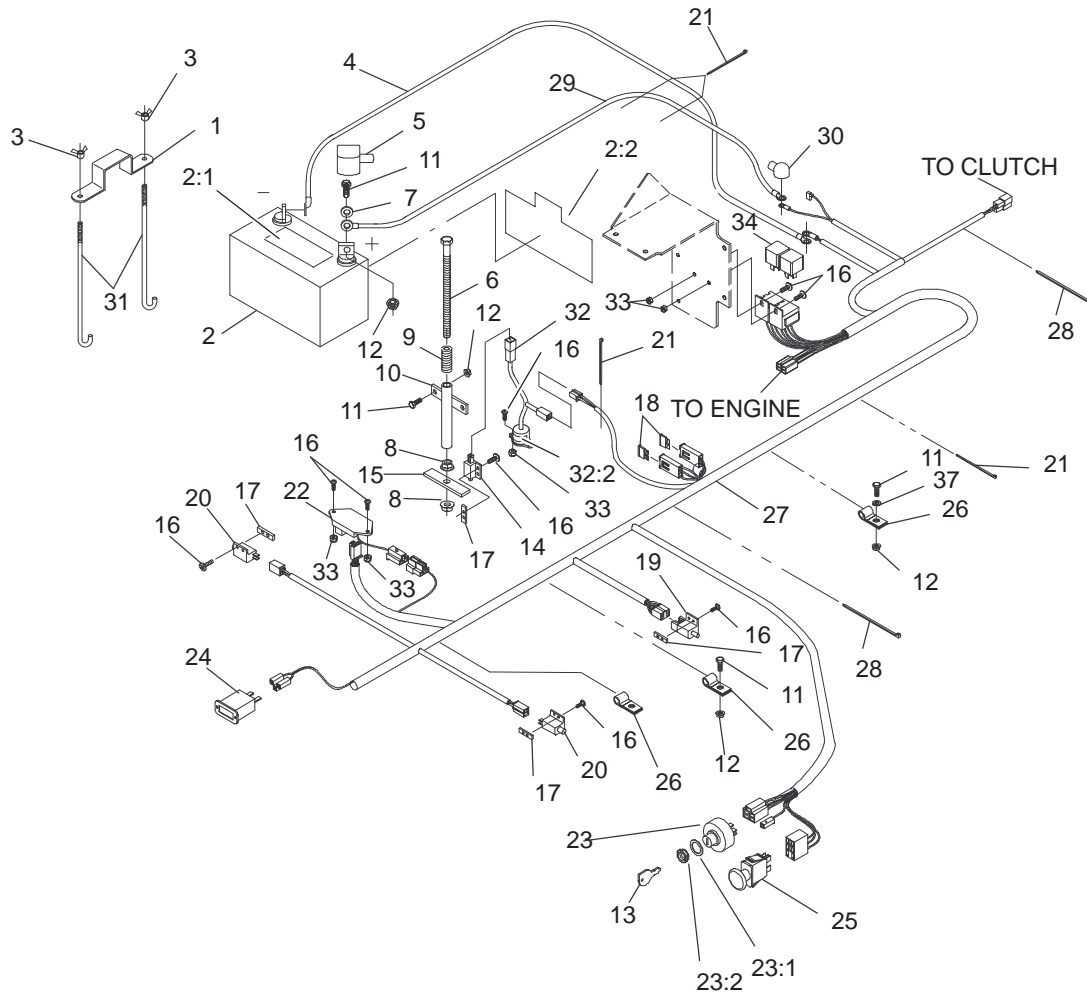
Sheet No.: 13

## Guard Assembly

Ref. No.	Part No.	Qty.	Description
3	1-523420	2	Bumper
11	1-644276	1	Shield ASM
11:1	1-633462	1	Decal-Important
11:2	1-634308	1	Shield/Lift ASM
11:2:1	103-1308	1	Shield-Engine
11:2:2	1-633300-03	1	Lift-Shield
11:2:3	1-803035	3	Rivet-Pop
11:3	103-0368	1	Decal-Devices, Rotating
14	1-634796	1	LH Shield ASM
14:1	1-523285	1	Clip-Baffle, Rear
14:2	1-633301	1	Shield-Engine
14:3	1-633795-03	1	Baffle-Engine Shield, LH
14:4	1-803035	3	Rivet-Pop
14:5	3256-63	3	Washer-Flat
17	1-643313-03	1	Guard-Muffler
22	321-4	10	Screw-HH
27	3296-42	6	Nut-Lock, NI
29	3256-2	4	Washer-Flat
33	32128-33	5	Nut-HF
34	1-633396	1	Clip-Loom
35	1-809076	2	Screw
36	1-323235	2	Washer-Spring
37	1-323236	2	Spacer
43	1-644316	1	RH Shield ASM

Ref. No.	Part No.	Qty.	Description
43:1	1-523285	1	Clip-Baffle, Rear
43:2	1-633301	1	Shield-Engine
43:3	1-633794-03	1	Baffle-Engine Shield, RH
43:4	1-643315	1	Baffle-Cooler, Engine
43:5	1-803035	5	Rivet-Pop
43:6	3256-63	5	Washer-Flat
44	1-643339	1	Decal-Routing, Belt





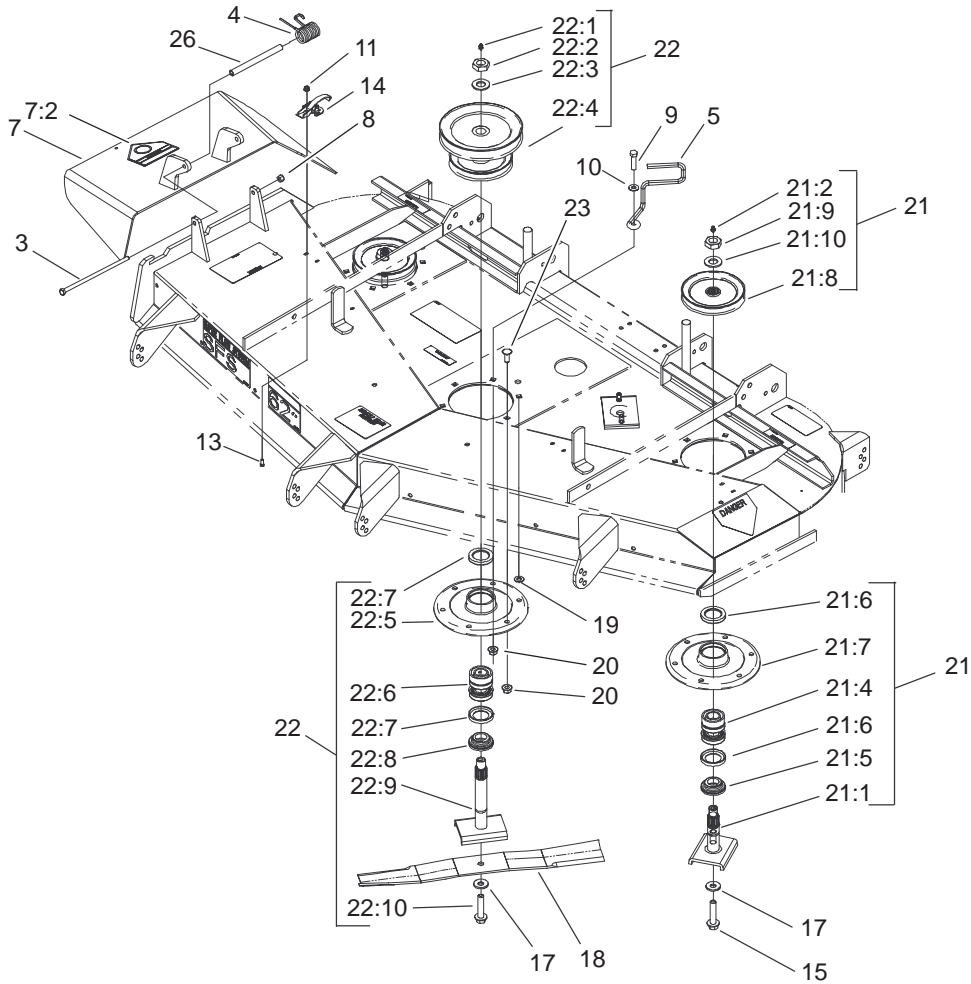
Sheet No.: 27

## Electrical System Assembly

Ref. No.	Part No.	Qty.	Description
1	1-633652-03	1	Strap-Holddown, Battery
2	105-1692	1	Battery
2:1	104-4163	1	Decal-Battery
2:2	104-4164	1	Decal-Battery
3	1-543792	2	Wingnut
4	1-633307	1	Wire-Ground
5	1-543391	1	Insulator-Battery
6	1-800282	1	Screw-HH
7	3256-2	2	Washer-Flat
8	32128-20	2	Nut-HF
9	1-523415	1	Spring-Switch, Seat
10	1-522424-03	1	Mount-Spring, Seat
11	321-4	6	Screw-HH
12	32128-33	6	Nut-HF
13	63-8360	2	Key-Ignition
14	1-513152	1	Switch-Closed, Normally
15	1-513180	1	Plate-Switch, Seat
16	3290-500	14	Screw-PPH
17	1-633181	4	Plate-Tapped
18	1-816001	2	Fuse-Type, Blade
19	1-633111	1	Switch
20	1-513051	2	Switch-Open, Normally
21	1-303287	5	Tie-Plastic

Ref. No.	Part No.	Qty.	Description
22	100-6186	1	Module-Delay, Seat
23	88-9830	1	Key Switch ASM
23:1	3254-5	1	Washer-Lock, Internal
23:2	218-461	1	Nut-HH
24	1-513374	1	Meter-Hour
25	1-633673	1	Switch-Delta
26	1-633396	3	Clip-Loom
27	100-4340	1	Harness-Wire
28	1-303335	2	Tie-Plastic
29	1-523281	1	Wire-Starter
30	1-543393	1	Insulator-Solenoid
31	1-633651	2	Bolt-Holddown
32	1-644427	1	Tilt Switch ASM
32:2	1-643401	1	Decal-Switch, Mercury
33	3296-2	6	Nut-Lock
34	1-643275	2	Relay
37	3256-22	1	Washer-Flat



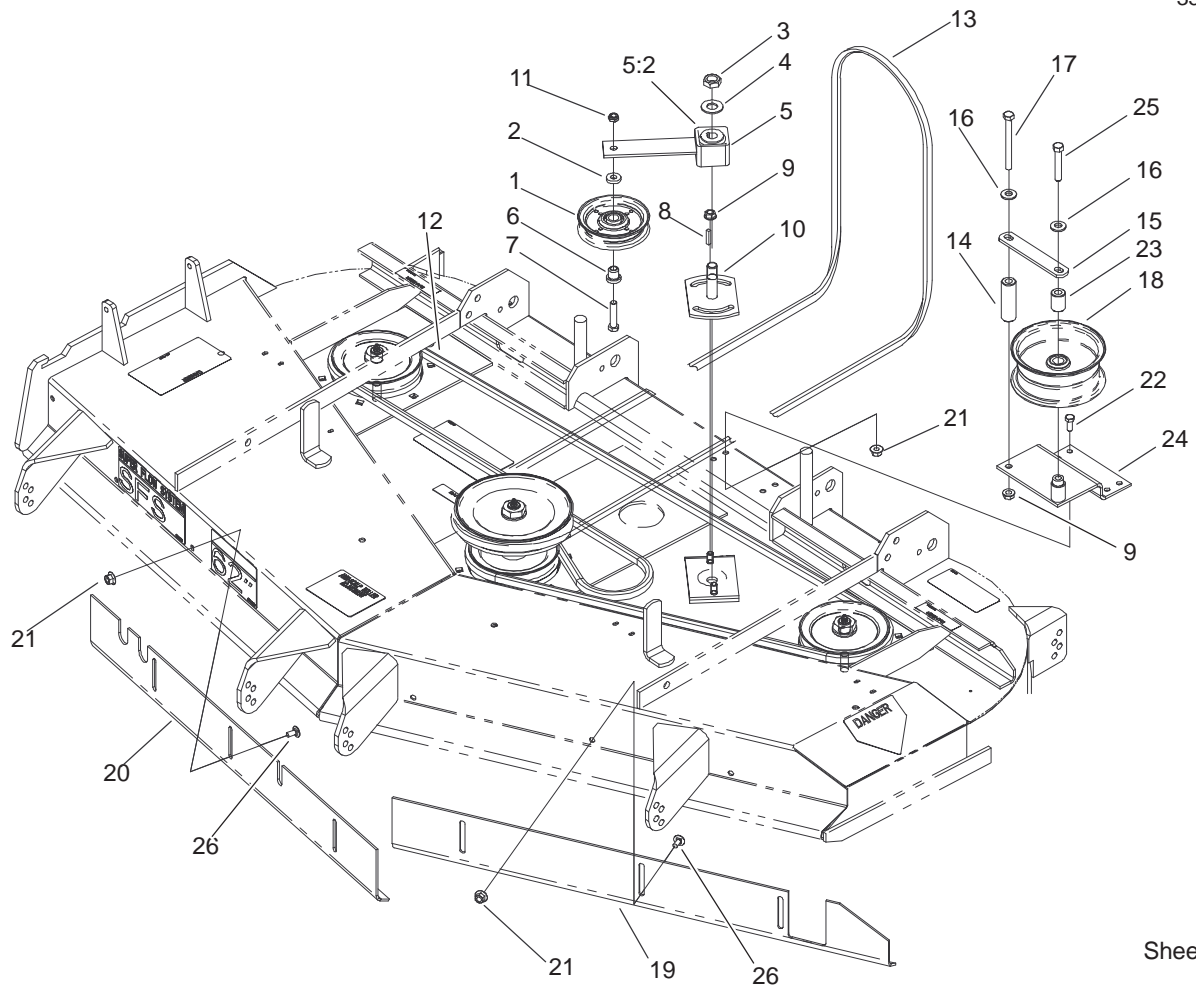


Sheet No.: 62

## Spindle and Pulley Assembly

Ref. No.	Part No.	Qty.	Description
3	322-50	1	Screw-Cap
4	104-8554	1	Spring-Torsion
5	99-8933	1	Guide-Belt
7	105-3605	1	Deflector ASM
7:2	54-9220	1	Decal-Danger
8	3296-29	1	Nut-Lock, NI
9	323-8	1	Screw-HH
10	3256-3	1	Washer-Flat
11	32128-17	8	Nut-Lock, Flange
13	3290-321	8	Screw-HWH
14	249-21	4	Clamp-Slotted
15	92-5816	2	Bolt-Blade
17	1-513435	3	Washer-Spring
18	44-6250	3	Blade
19	3256-24	1	Washer-Flat
20	32128-21	18	Nut-HF
21	99-4640	2	Outer Spindle ASM
21:1	27-0920	1	Shaft-Spindle
21:2	302-2	1	Fitting-Grease
21:4	46-8530	1	Bearing ASM
21:5	27-0950	1	Spacer-Bearing, Spindle
21:6	253-139	2	Seal-Oil
21:7	61-4160	1	Housing-Spindle
21:8	99-4614	1	Pulley & Hub
21:9	32146-20	1	Nut-Jam

Ref. No.	Part No.	Qty.	Description
21:10	7-4150	1	Washer-Pinion
22	105-1688	1	Spindle Housing ASM
22:1	302-2	1	Fitting-Grease
22:2	32146-20	1	Nut-Jam
22:3	92-5836	1	Washer-Axle
22:4	99-4939	1	Pulley & Hub ASM
22:5	61-4160	1	Housing-Spindle
22:6	46-8530	1	Bearing ASM
22:7	253-139	2	Seal-Oil
22:8	27-0950	1	Spacer-Bearing, Spindle
22:9	105-1686	1	Spindle Shaft ASM
22:10	92-5816	1	Bolt-Blade
23	3231-22	17	Screw-CARR
26	105-4622	1	Spacer-Mounting, Deflector



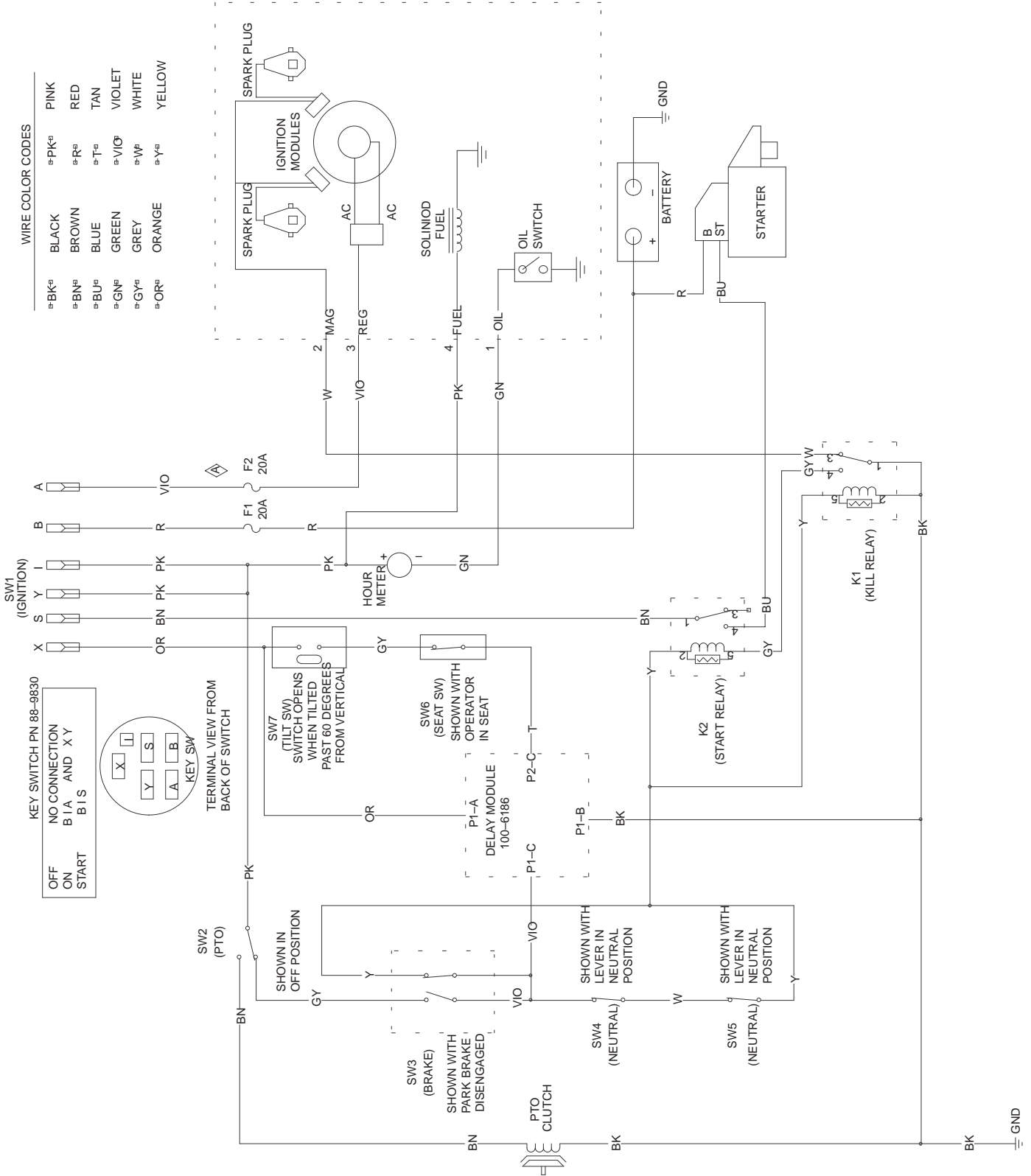
Sheet No.: 63

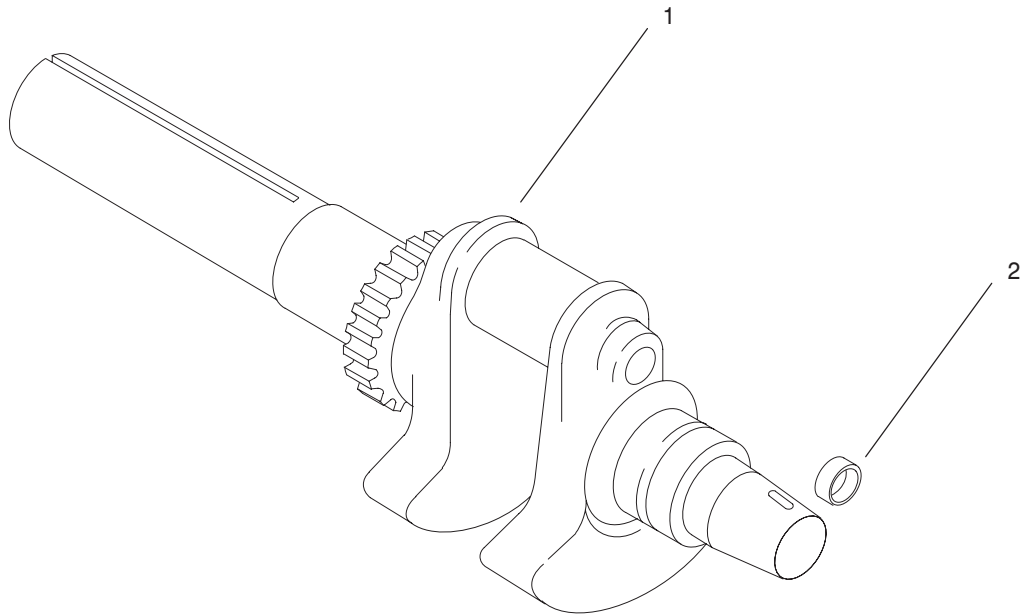
## Belt and Idler Arm Assembly

Ref. No.	Part No.	Qty.	Description
1	65-5940	1	Pulley-Idler
2	7-0081	1	Washer-Flat
3	3296-71	1	Nut-Lock NI
4	3256-27	1	Washer-Flat
5	27-8580	1	Idler Socket & Bushing ASM
5:2	27-8490	1	Bushing-Rubber, Idler
6	65-5950	1	Bushing-Pulley
7	3211-8	1	Screw-HH
8	5-1077	1	Key-Square
9	3290-357	3	Nut-HHF
10	44-6301	1	Plate-Idler, LH
11	3296-5	1	Nut-Lock, NI
12	44-6260	1	V-Belt
13	99-4647	1	V-Belt-Drive, Deck
14	99-4659	1	Spacer-Bracket
15	1-653189	1	Plate-Guide, Belt
16	98-5975	2	Washer-Belleville
17	323-42	1	Screw-HH
18	1-413099	1	Pulley-Idler
19	99-2833-03	1	Baffle-Front, LH
20	99-2834-03	1	Baffle-Front, RH
21	32128-20	10	Nut-HF
22	322-3	4	Screw-HH
23	1-653190	1	Spacer
24	99-4684-01	1	Bracket-Pulley

Ref. No.	Part No.	Qty.	Description
25	323-11	1	Screw-HH
26	3230-18	6	Screw-CARR

# Electrical Schematic



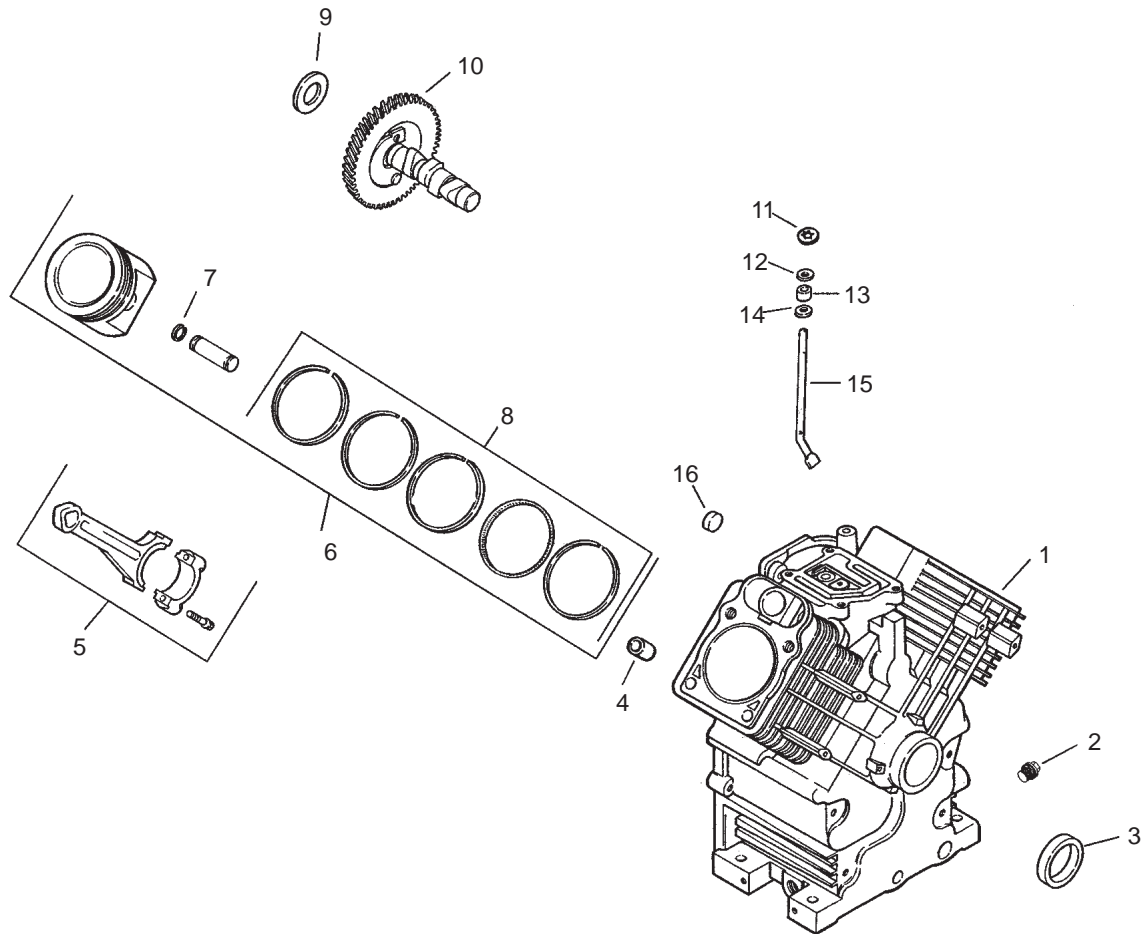


### Group 1 – Crankshaft Assembly Kohler CH25S-68695

Ref. No.	Part No.	Qty.	Description
1	24 014 06-S	1	Crankshaft assembly (Includes 2)
2	52 139 09-S	1	Plug, cup

Ref. No.	Part No.	Qty.	Description

Obtain parts from Kohler

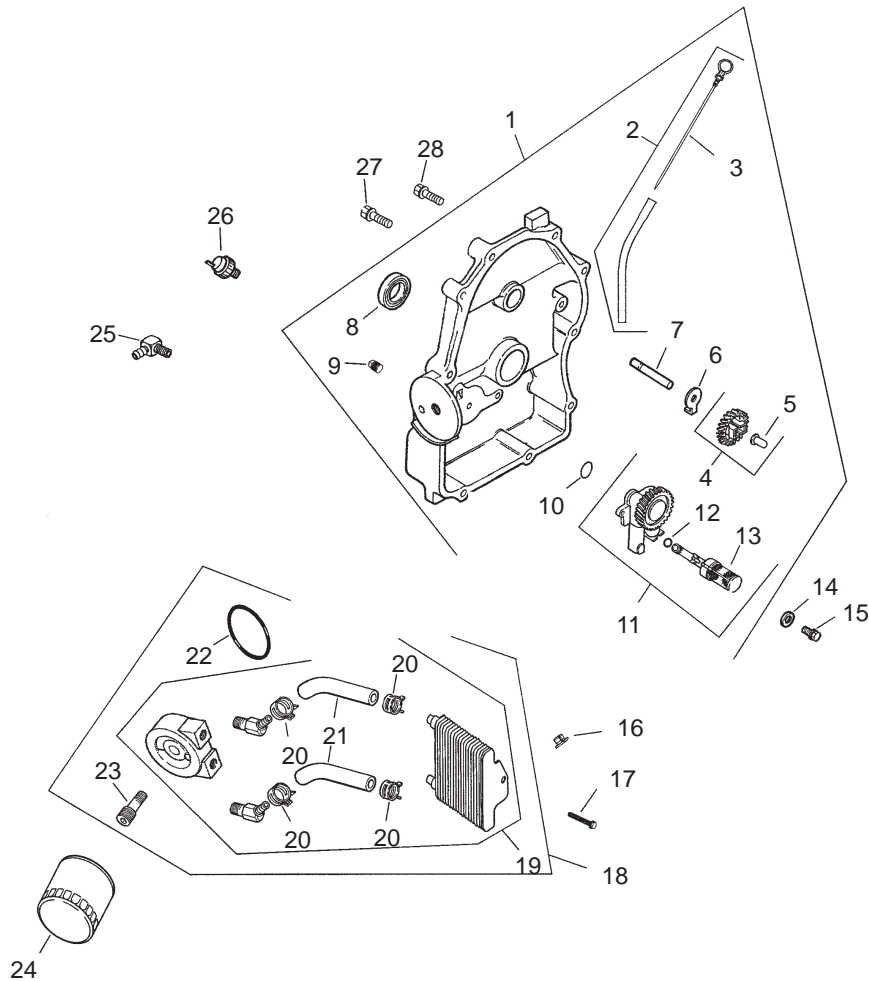


## Group 2 – Crankcase Assembly Kohler CH25S-68695

Ref. No.	Part No.	Qty.	Description
1		1	Crankcase (USE: Short Block or Miniblock)
2	25 139 57-S	2	Plug, solid sq. hd. 3/8" N.P.T.F.
3	24 032 01-S	1	Seal, oil front
4	24 380 13-S	6	Pin, locating
5	24 067 13-S	2	Connecting Rod (Std.)
	24 067 14-S	2	Connecting Rod (.25)
6	24 874 08-S	2	Piston w/Ring Set (Std.) (Includes 7, 8)
	24 874 16-S	2	Piston w/Ring Set (.080) (Includes 7, 8)
7	24 018 01-S	4	Retainer, piston pin
8	24 108 05-S	2	Ring Set (Std.)
9	12 422 09-S	A.R.	Shim, camshaft
	12 422 13-S	A.R.	Shim, camshaft
	12 422 07-S	A.R.	Shim, camshaft
	12 422 08-S	A.R.	Shim, camshaft
	12 422 10-S	1	Shim, camshaft
	12 422 11-S	A.R.	Shim, camshaft
	12 422 12-S	A.R.	Shim, camshaft
10	24 012 10-S	1	Camshaft
11	24 018 09-S	1	Ring, retainer
12	M-931010-S	1	Washer, nylon (top)

Ref. No.	Part No.	Qty.	Description
13	28 032 09-S	1	Seal, governor cross shaft
14	24 468 15-S	1	Washer, (bottom)
15	24 144 33-S	1	Shaft, governor cross
16	52 139 09-S	1	Plug, cup

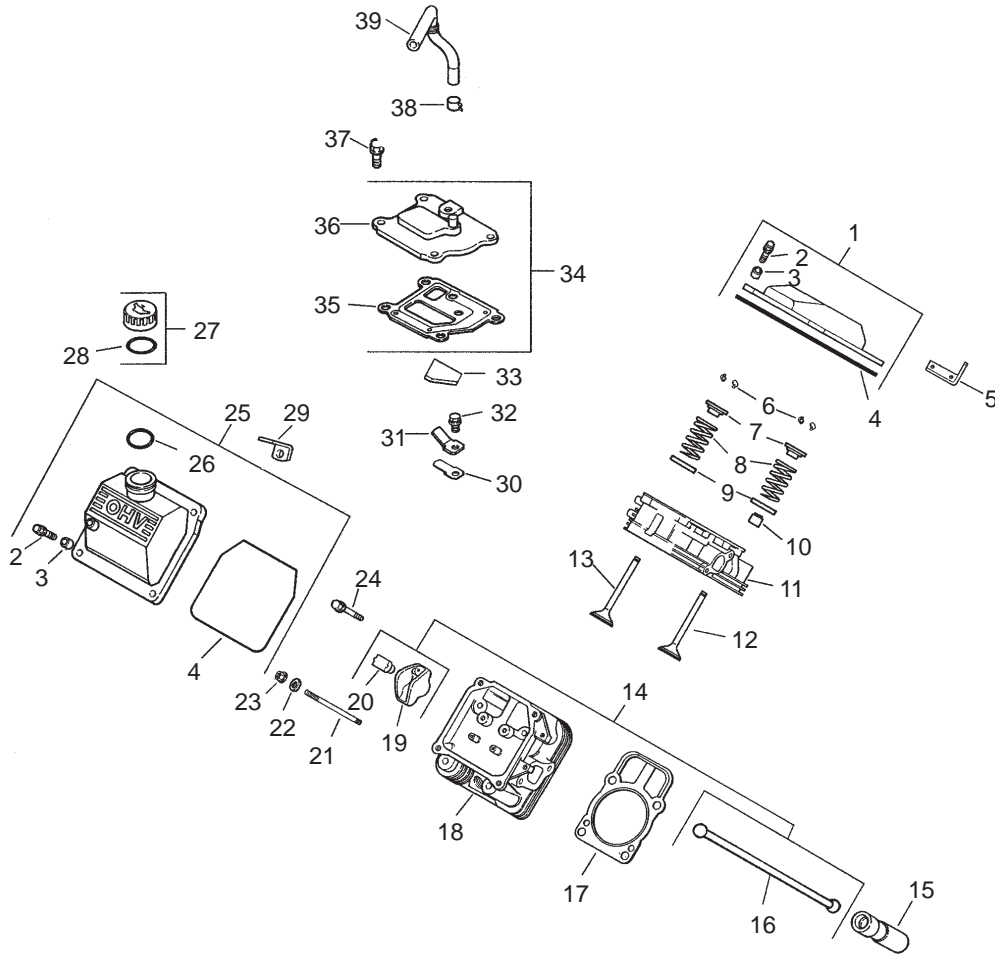
Obtain parts from Kohler



### Group 3 – Oil Pan/Lubrication Assembly Kohler CH25S-68695

Ref. No.	Part No.	Qty.	Description	Ref. No.	Part No.	Qty.	Description
1	24 009 83-S	1	Kit, closure plate (Includes 2-13)	17	25 086 49-S	2	Screw, tapping 1/4-10x3/4"
2	24 755 121-S	1	Kit, dipstick & tube (Includes 3)	18	54 755 21-S	1	Kit, alum base oil cooler (Incl. 19-23)
3	24 038 10-S	1	Dipstick	19	24 594 09-S	1	Cooler, oil (Incl. 20, 21)
4	24 043 12-S	1	Kit, governor gear w/pin (Includes 5)	20	24 237 10-S	4	Clamp, hose
5	12 380 01-S	1	Pin, governor regulating	21	24 326 15-S	2	Hose
6	52 448 02-S	1	Tab, locking	22	24 153 13-S	1	O-Ring
7	12 144 02-S	1	Shaft, governor gear	23	28 136 01-S	1	Nipple, oil filter
8	52 032 08-S	1	Seal, oil (PTO end)	24	52 050 02-S	1	Filter, oil
9	25 139 60-S	2	Plug, allen hd. 1/8" pipe	25	25 155 02-S	1	Connector
10	24 153 08-S	1	O-Ring	26	24 099 03-S	1	Switch, oil pressure
11	24 393 10-S	1	Oil pump assembly (Includes 12, 13)	27	24 086 16-S	9	Screw, hex. flange M8x1.25x45
12	24 153 01-S	1	O-Ring, oil pick-up	28	24 086 17-S	1	Screw, hex. flange M8x1.25x45
13	24 381 04-S	1	Pick-up, oil				<b>NOT ILLUSTRATED</b>
14	M-631005-S	2	Washer, plain 6 mm	24 113 25-S	1	Decal, oil cooler	
15	M-645025-S	2	Screw, hex. flange M6x1.0x25				
16	24 100 01-S	2	Nut, plastic				

Obtain parts from Kohler

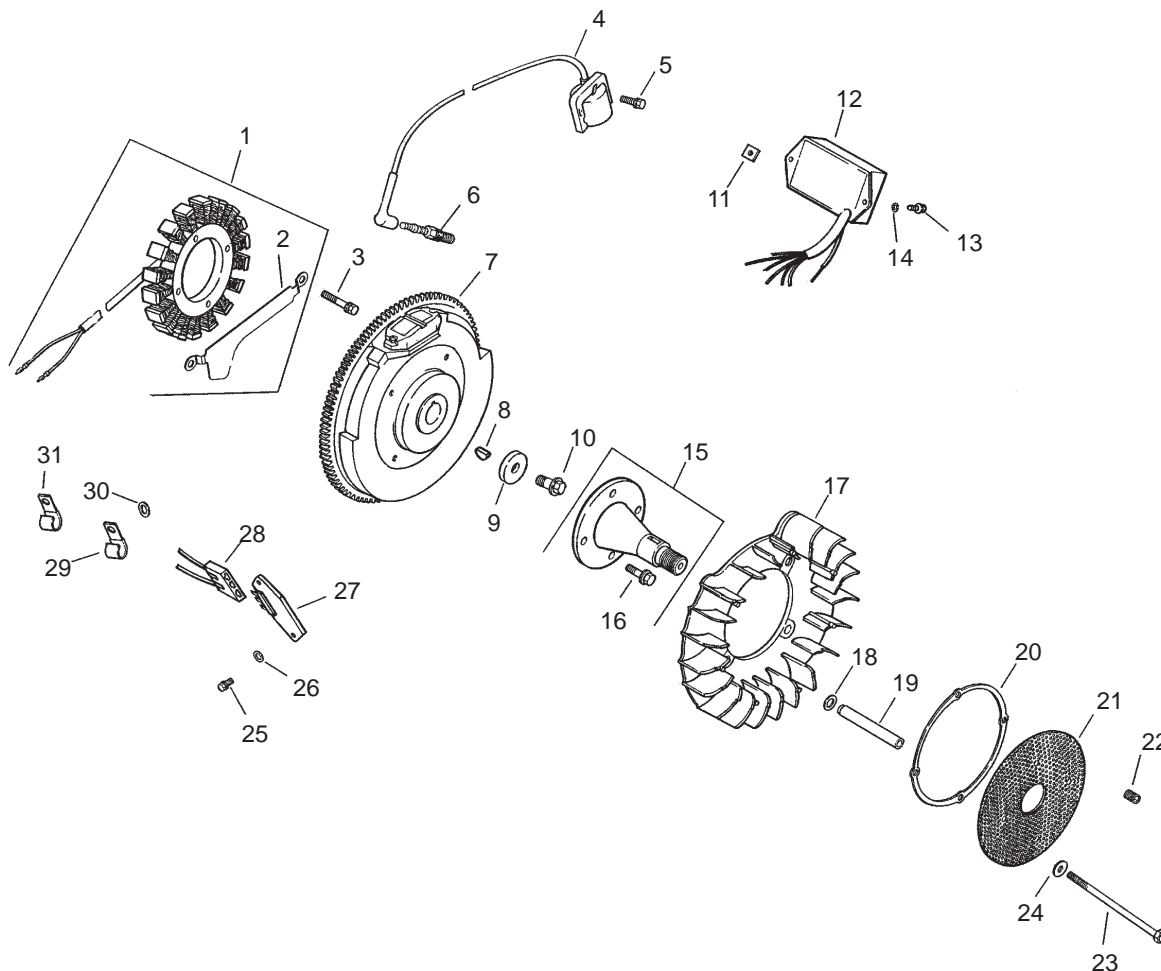


## Group 4 – Head/Valve/Breather Assembly Kohler CH25S-68695

Ref. No.	Part No.	Qty.	Description
1	24 755 74-S	1	Kit, valve cover – plain (Includes 2-4)
2	M-651030-S	4	Screw, hex. flange M6x1.0x30
3	24 112 08-S	4	Spacer
4	24 153 16-S	1	O-Ring
5	24 445 01-S	1	Strap, lifting
6	12 755 03-S	4	Kit, retainer
7	12 173 01-S	4	Cap, valve spring
8	24 089 02-S	4	Spring, valve
9	235011-S	4	Retainer, spring
10	66 032 05-S	2	Seal, valve stem
11	24 318 65-S	1	Head asm, #1 cylinder
12	24 017 01-S	2	Valve, intake (Std.)
	24 017 02-S	2	Valve, intake (.25)
13	24 016 01-S	2	Valve, exhaust (Std.)
	24 016 02-S	2	Valve, exhaust (.25)
14	24 755 66-S	1	Kit, valve train (Includes 16, 19, 20)
15	25 351 01-S	4	Lifter, valve
16	24 411 05-S	4	Rod, push
17	24 041 37-S	2	Gasket, cylinder head
18	24 318 66-S	1	Head asm, #2 cylinder
19	25 186 01-S	4	Arm, rocker

Ref. No.	Part No.	Qty.	Description
20	24 599 01-S	4	Pivot, rocker arm
21	24 072 09-S	8	Stud M10x1.5x90
22	24 468 16-S	8	Washer, flat
23	24 100 10-S	8	Nut, hex. flg, M8x1.25
24	M-640034-S	4	Screw, hex M6x1.0x34
25	24 755 75-S	1	Kit, valve cover – oil fill (Includes 2-4, 26)
26	24 153 09-S	1	O-Ring
27	24 755 46-S	1	Kit, oil fill cap (Incl. 28)
28	12 153 03-S	1	O-Ring, oil fill cap
29	12 445 05-S	1	Strap, lifting
30	24 402 03-S	1	Reed, breather
31	12 018 01-S	1	Retainer, breather reed
32	M-545010-S	1	Screw, hex. flange M5x0.8x10
33	24 050 01-S	1	Filter, breather
34	24 033 01-S	1	Kit, breather (Incl. 35, 36)
35	24 041 23-S	1	Gasket, breather
36	24 096 58-S	1	Cover, breather
37	M-645020-S	4	Screw, hex. flange M6x1.0x20
38	25 237 08-S	1	Clamp, breather
39	24 326 31-S	1	Hose, breather

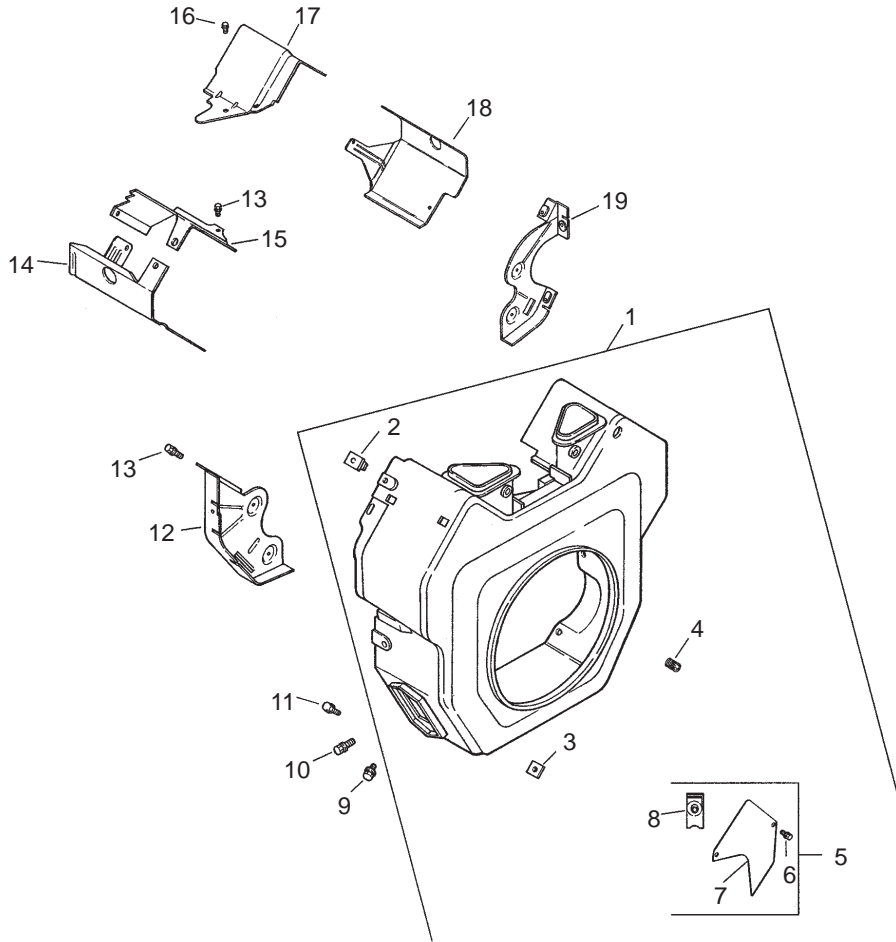
Obtain parts from Kohler



## Group 5 – Ignition/Electrical Assembly Kohler CH25S-68695

Ref. No.	Part No.	Qty.	Description	Ref. No.	Part No.	Qty.	Description
1	54 755 09-S	1	Kit, 15 amp stator (Includes 2)	18	24 468 11-S	4	Washer, spring
2	24 126 71-S	1	Bracket, stator wire	19	24 112 14-S	4	Spacer
3	M-548025-S	2	Screw, hex. cap M5x0.8x25	20	24 141 06-S	1	Support, ring
4	24 584 15-S	2	Module, ignition	21	24 162 22-S	1	Screen, grass
5	M-561025-S	4	Screw, hex. socket hd. M5x0.8x25	22	25 086 43-S	1	Screw, set
6	12 132 06-S	2	Spark Plug	23	M-603100-S	4	Screw, hex. cap M6x1.0x100
7	24 025 14-S	1	Flywheel	24	X-25-53-S	4	Washer, plain 1/4"
8	X-42-15-S	1	Key	25	24 086 18-S	2	Screw, phillips hd. 11-16x7/8
9	12 468 03-S	1	Washer, plain 3/8"	26	X-25-92-S	2	Washer, plain 3/16"
10	12 086 14-S	1	Screw, hex. flange M10x1.5x46	27	25 403 03-S	1	Rectifier-regulator15a
11	24 100 02-S	2	Nut, plastic	28	236602-S	1	Connector
12	24 584 09-S	1	Module, speed advanc	29	47 154 01-S	1	Clip, cable (clamps wires to intake manifold)
13	24 086 41-S	2	Screw, phillips hd. 11-16x1/2"	30	X-25-63-S	1	Washer, plain 1/4"
14	X-22-11-S	1	Washer, lock 1/4"	31	48 154 02-S	1	Clip, cable (B+ lead) <b>NOT ILLUSTRATED</b>
15	24 755 08-S	1	Kit, front drive shaft (Includes 16)	24 176 98-S	1	Harness, wiring	
16	M-839025-S	4	Screw, hex. flange M8x1.25x25	24 518 12-S	1	Lead, black (5" – 12 gauge – insulated grip barrel eyelet terminals)	
17	24 157 03-S	1	Fan	25 454 03-S	2	Tie	

Obtain parts from Kohler

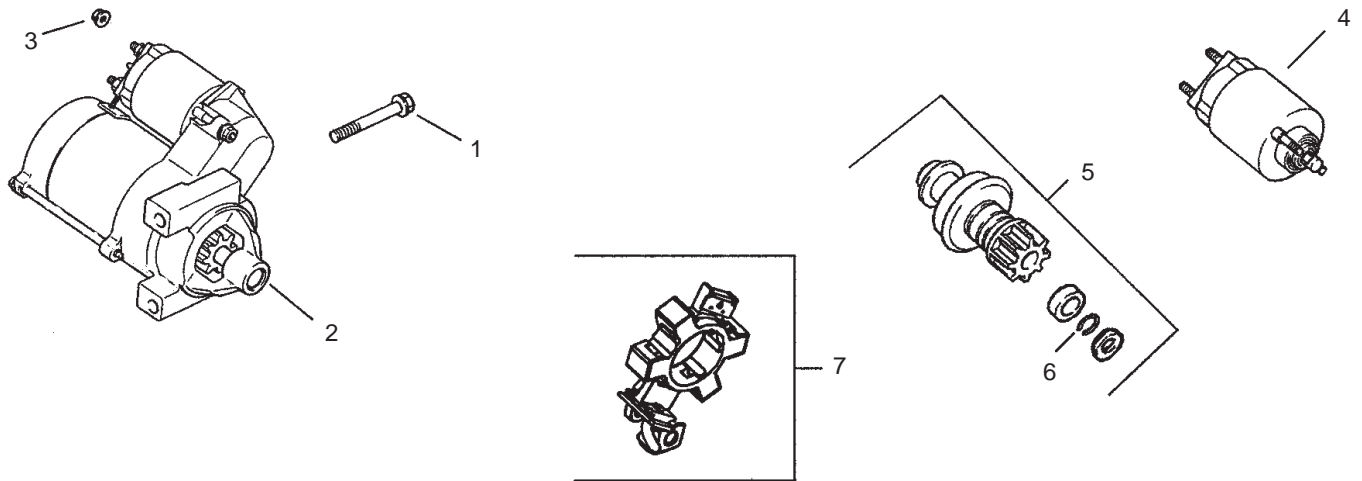


## Group 6 – Blower Housing and Baffle Assembly Kohler CH25S-68695

Ref. No.	Part No.	Qty.	Description
1	84 027 05-S	1	Housing, blower asm (Includes 2-8)
2	24 100 01-S	3	Nut, plastic
3	24 100 02-S	2	Nut, plastic
4	25 086 43-S	1	Screw, set
5	25 755 21-S	1	Kit, access panel (Includes 6-8)
6	M-645016-S	4	Screw, hex. flange M6x1.0x16
7	24 096 64-S	2	Cover, access
8	25 154 02-S	4	Clip
9	M-551016-S	1	Screw, hex. flange M5x0.8x16
10	M-545016-S	2	Screw, hex flange M5x0.8x16
11	M-545020-S	4	Screw, hex flange M5x0.8x20
12	24 146 19-S	1	Plate, backing #2 side
13	M-645016-S	6	Screw, hex. flange M6x1.0x16
14	24 063 39-S	1	Baffle, cylinder barrel #2 side
15	24 063 17-S	1	Baffle, valley #2 side

Ref. No.	Part No.	Qty.	Description
16	M-545010-S	2	Screw, hex. flange M5x0.8x10
17	24 063 24-S	1	Baffle, valley #1 side
18	24 063 58-S	1	Baffle, cylinder barrel #1 side
19	24 146 20-S	1	Plate, backing #1 side
	24 146 34-S	1	Plate, HP

Obtain parts from Kohler

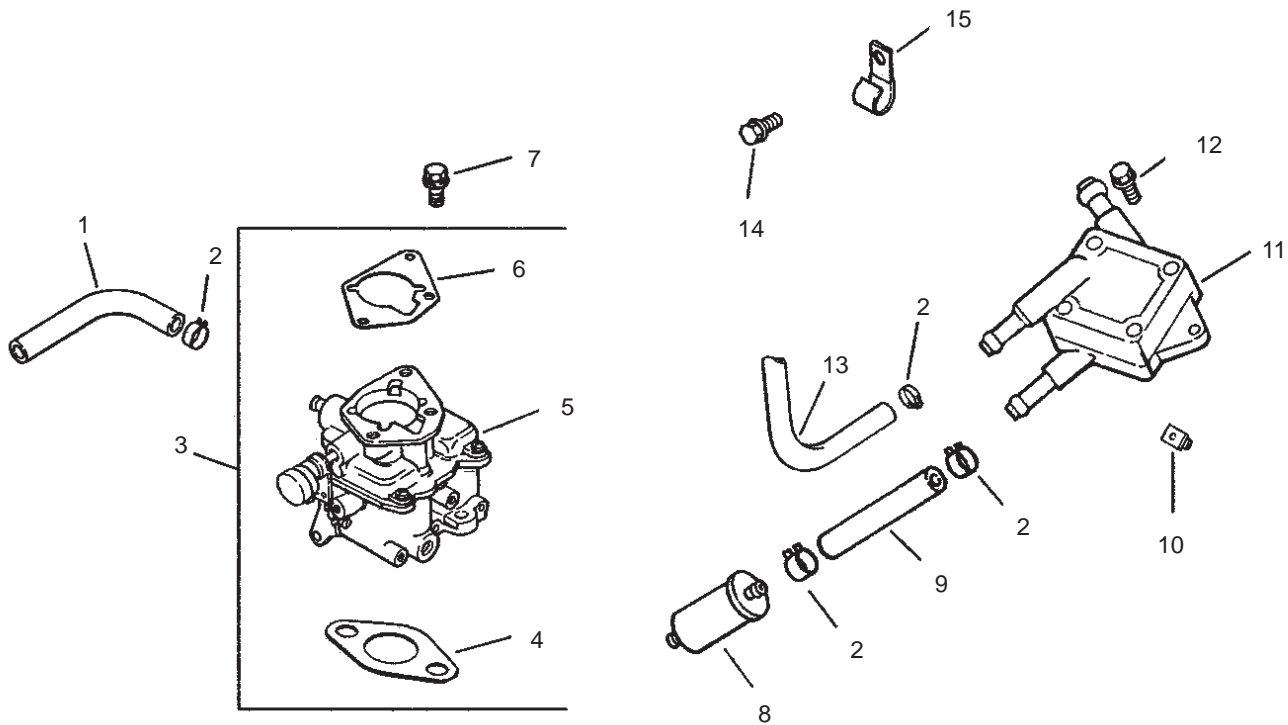


## Group 7 – Starting System Assembly Kohler CH25S-68695

Ref. No.	Part No.	Qty.	Description
1	M-839080-S	2	Screw, hex. flange M8x1.25x80
2	25 098 08-S	1	Starter, solenoid shift asm (Includes 4-7)
3	M-841080-S	1	Nut, hex. flange M8x1.25
4	25 435 04-S	1	Kit, solenoid
5	25 755 33-S	1	Kit, pinion drive (Includes 6)
6	25 141 05-S	1	Ring
7	25 221 01-S	1	Kit, brush

Ref. No.	Part No.	Qty.	Description

Obtain parts from Kohler

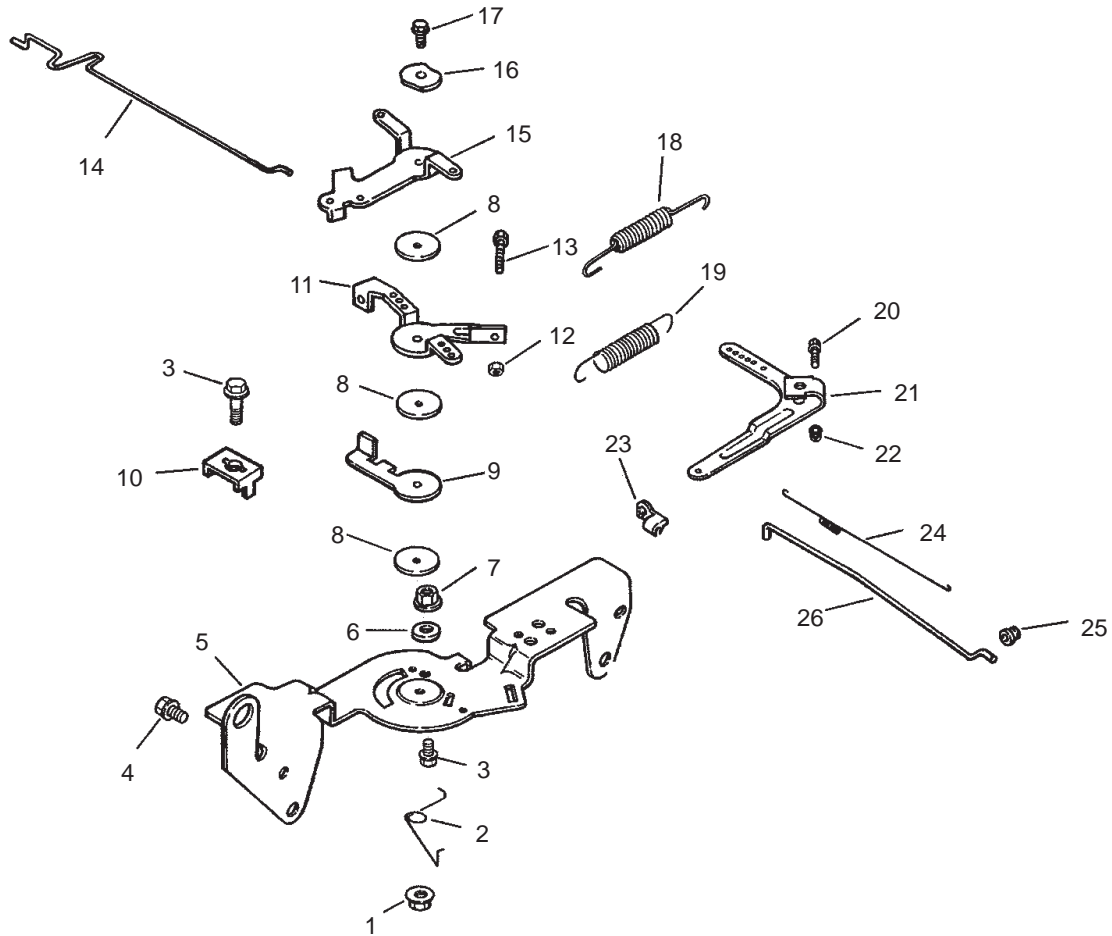


## Group 8 – Fuel System Assembly Kohler CH25S-68695

Ref. No.	Part No.	Qty.	Description
1	25 353 32-S	1	Line, fuel 9-1/4"
2	25 237 14-S	6	Clamp, hose
3	24 853 78-S	1	Kit, carburetor with gasket (Includes 4-6)
4	24 041 17-S	1	Gasket, carburetor
5	24 053 78	1	Carburetor asm. (For information only not available separately) (Service with: 24 757 01-S, 24 757 02-S, 24 757 03-S, 24 757 07-S, 24 757 08-S, 24 757 09-S)
6	24 041 06-S	1	Gasket, air cleaner
7	M-651030-S	2	Screw, hex. flange M6x1.0x30
8	24 050 02-S	1	Filter, fuel
9	25 353 15-S	1	Line, fuel 3-1/2"
10	24 100 01-S	2	Nut, plastic
11	24 393 16-S	1	Pump, fuel – pulse
12	24 086 12-S	2	Screw, hex. cap 18 mm
13	24 353 02-S	1	Line, fuel 15-1/2"
14	M-650012-S	1	Screw, hex. flange M6x1.0x10

Ref. No.	Part No.	Qty.	Description
15	47 154 01-S	1	Clip, cable <b>NOT ILLUSTRATED</b>
	24 757 01-S	1	Kit, solenoid
	24 757 02-S	1	Kit, float
	24 757 03-S	1	Kit, carburetor repair
	24 757 07-S	1	Kit, choke repair
	24 757 08-S	1	Kit, repair – accelerator pump seal & bushing
	24 757 09-S	1	Kit, repair – accelerator pump diaphragm

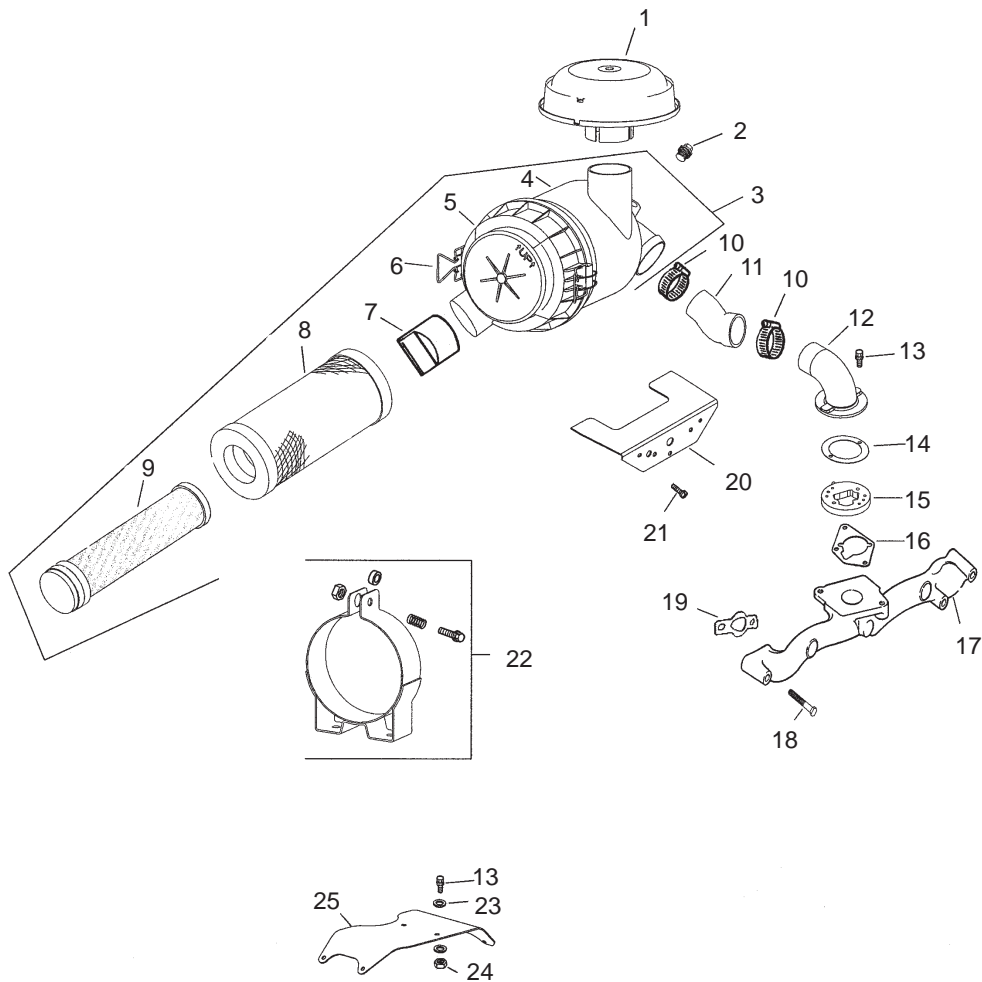
Obtain parts from Kohler



## Group 9 – Engine Control Assembly Kohler CH25S-68695

Ref. No.	Part No.	Qty.	Description	Ref. No.	Part No.	Qty.	Description
1	M-547050-S	1	Nut, hex. lock M5x0.8	19	24 089 44-S	1	Spring, governor
2	24 089 03-S	1	Spring, choke return	20	24 211 03-S	1	Bolt, rd. hd. sq. neck M6x1.0x25
3	M-545016-S	3	Screw hex. flange M5x0.8x16	21	24 090 33-S	1	Lever, governor
4	M-645016-S	4	Screw, hex. flange M6x1.0x16	22	M-641060-S	1	Nut, hex. flange M6x1.0
5	24 126 56-S	1	Bracket, control	23	25 158 11-S	1	Bushing, linkage retaining
6	X-20-1-S	1	Washer, lock 1/4"	24	24 089 01-S	1	Spring, linkage
7	M-541050-S	1	Nut, hex. flange M5x0.8	25	25 158 08-S	1	Bushing, throttle linkage
8	24 468 01-S	3	Washer, plain 1/4"	26	24 079 01-S	1	Linkage, throttle
9	24 090 07-S	1	Lever, throttle actuator				
10	12 237 01-S	2	Clamp, cable				
11	24 090 03-S	1	Lever, throttle control				
12	M-446030-S	1	Nut, hex. flange M4x0.7				
13	M-401030-S	1	Screw, hex. flange M4x0.7x30				
14	24 079 02-S	1	Linkage, choke				
15	24 090 05-S	1	Lever, choke				
16	41 468 03-S	1	Washer, spring 1/4"				
17	M-545020-S	1	Screw, hex. flange M5x0.8x20				
18	24 089 51-S	1	Spring, throttle limiter				

Obtain parts from Kohler

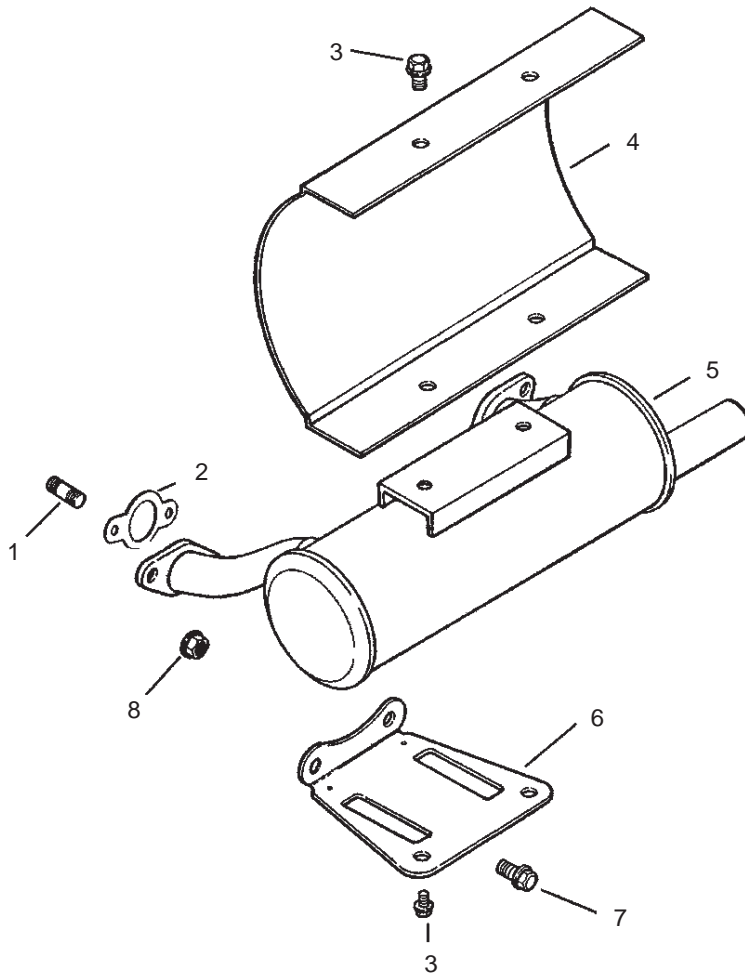


## Group 10 – Air Intake/Filtration Assembly Kohler CH25S-68695

Ref. No.	Part No.	Qty.	Description
1	25 324 02-S	1	Hood, air cleaner
2	25 139 20-S	1	Plug, pipe
3	25 048 07-S	1	Cleaner, heavy duty air (Includes 4-9)
4	25 081 01-S	1	Housing, heavy duty air cleaner
5	25 096 06-S	1	Cover, heavy duty air cleaner
6	25 154 05-S	2	Clip
7	24 462 07-S	1	Valve, dust ejector
8	25 083 01-S	1	Element – primary
9	25 083 04-S	1	Element – safety filter
10	25 237 07-S	2	Clamp, hose
11	24 326 32-S	1	Hose, air cleaner
12	24 029 21-S	1	Adapter, remote air cleaner
13	M-639016-S	6	Screw, hex. flange M6x1.0x16
14	24 041 34-S	1	Gasket, adapter
15	24 029 24-S	1	Adapter
16	24 041 06-S	1	Gasket, air cleaner base
17	24 164 14-S	1	Manifold, intake

Ref. No.	Part No.	Qty.	Description
18	25 086 84-S	4	Screw, hex. flange M6x1.0x55
19	24 041 01-S	2	Gasket, intake manifold
20	24 314 25-S	1	Shield, debris
21	24 086 06-S	4	Screw, phillips hd. 11-16x3/4"
22	25 126 02-S	1	Bracket, air cleaner
23	X-25-73-S	4	Washer, plain 1/4"
24	M-647060-S	2	Nut, hex. lock M6x0.8
25	24 126 98-S	1	Bracket, air cleaner

Obtain parts from Kohler



### Group 11 – Exhaust Assembly Kohler CH25S-68695

Ref. No.	Part No.	Qty.	Description	Ref. No.	Part No.	Qty.	Description
1	25 072 04-S	4	Stud, M8x1.25x33				
2	24 041 02-S	2	Gasket, exhaust				
3	M-650012-S	4	Screw, hex. flange M6x1.0x12				
4	24 314 04-S	1	Shield, heat				
5	24 068 18-S	1	Muffler				
6	24 126 12-S	1	Bracket, muffler				
7	M-839020-S	2	Screw, hex. flange M8x1.25x20				
8	M-841080-S	4	Nut, hex. flange M8x1.25				
	24 755 113-S	1	Gasket Set				

Obtain parts from Kohler





