



## Z255

### Z Master<sup>®</sup> with 72" SFS Side Discharge Mower

Model No. 74235—22000001 and Up

## Parts Catalog

---

### Ordering Replacement Parts

To order replacement parts, please supply: the part number, the quantity, and the description of each part desired.

### Understanding Reference Numbers

Each identified part in an illustration has a reference number. The reference number for a part also appears in the parts list, along with other information about the part.

This catalog uses two special reference number formats, one to indicate parts in a service assembly and another to indicate the quantity of a given part in an illustration.

### Service Assembly Reference Numbers

Parts in service assemblies have reference numbers in the form **a:b**. The **a** represents the reference number of the entire service assembly and the **b** represents a sequential number unique to each part within the service assembly.

For example, a wheel assembly might be identified by reference number **6**, the tire by **6:1**, the valve by **6:2**, and the wheel by **6:3**. When you order the assembly identified by reference number **6**, you receive all parts identified by reference numbers **6:1**, **6:2**, and **6:3**. However, you may also order any part individually.

Reference numbers of this type appear in illustrations and in part lists.

### Reference Numbers Indicating Quantity

In an illustration, if a reference number indicates more than one part, the reference number has the form **nX y**. The **n** represents the quantity of the part, the **X** is the multiplication symbol, and the **y** represents the reference number.

For example, in an illustration, the reference number **2X 37** means that two of the parts identified by reference number **37** are indicated.

## Contents

<b>Description</b>	<b>Page</b>	<b>Description</b>	<b>Page</b>
Front Frame Assembly .....	4	Valve/Camshaft Assembly	
Caster and Wheel Assembly .....	5	Kawasaki FH721D-AS05 .....	25
Main Frame Assembly .....	6	Lubrication Equipment Assembly	
Brake and Wheel Hub Assembly .....	7	Kawasaki FH721D-AS05 .....	26
Steering Control Assembly .....	8	Cooling Equipment Assembly	
Hydraulic System Assembly .....	9	Kawasaki FH721D-AS05 .....	27
Seat Assembly .....	11	Electric Equipment Assembly	
Deck Connection Assembly .....	12	Kawasaki FH721D-AS05 .....	28
Drive Idler Assembly .....	13	Control Equipment Assembly	
Z-Stand Assembly .....	14	Kawasaki FH721D-AS05 .....	29
Engine and Clutch Assembly .....	15	Carburetor Assembly	
Guard Assembly .....	16	Kawasaki FH721D-AS05 .....	30
Fuel System Assembly .....	17	Air Filter/Muffler Assembly	
Electrical System Assembly .....	18	Kawasaki FH721D-AS05 .....	31
Deck, Deflector and Roller Assembly .....	19	Fuel Tank/Fuel Valve Assembly	
Spindle and Pulley Assembly .....	20	Kawasaki FH721D-AS05 .....	32
Belt and Idler Arm Assembly .....	21	Starter Assembly	
Electrical Schematic .....	22	Kawasaki FH721D-AS05 .....	33
Cylinder/Crankcase Assembly		P.T.O. Equipment Assembly	
Kawasaki FH721D-AS05 .....	23	Kawasaki FH721D-AS05 .....	34
Piston/Crankshaft Assembly		Label Assembly	
Kawasaki FH721D-AS05 .....	24	Kawasaki FH721D-AS05 .....	35

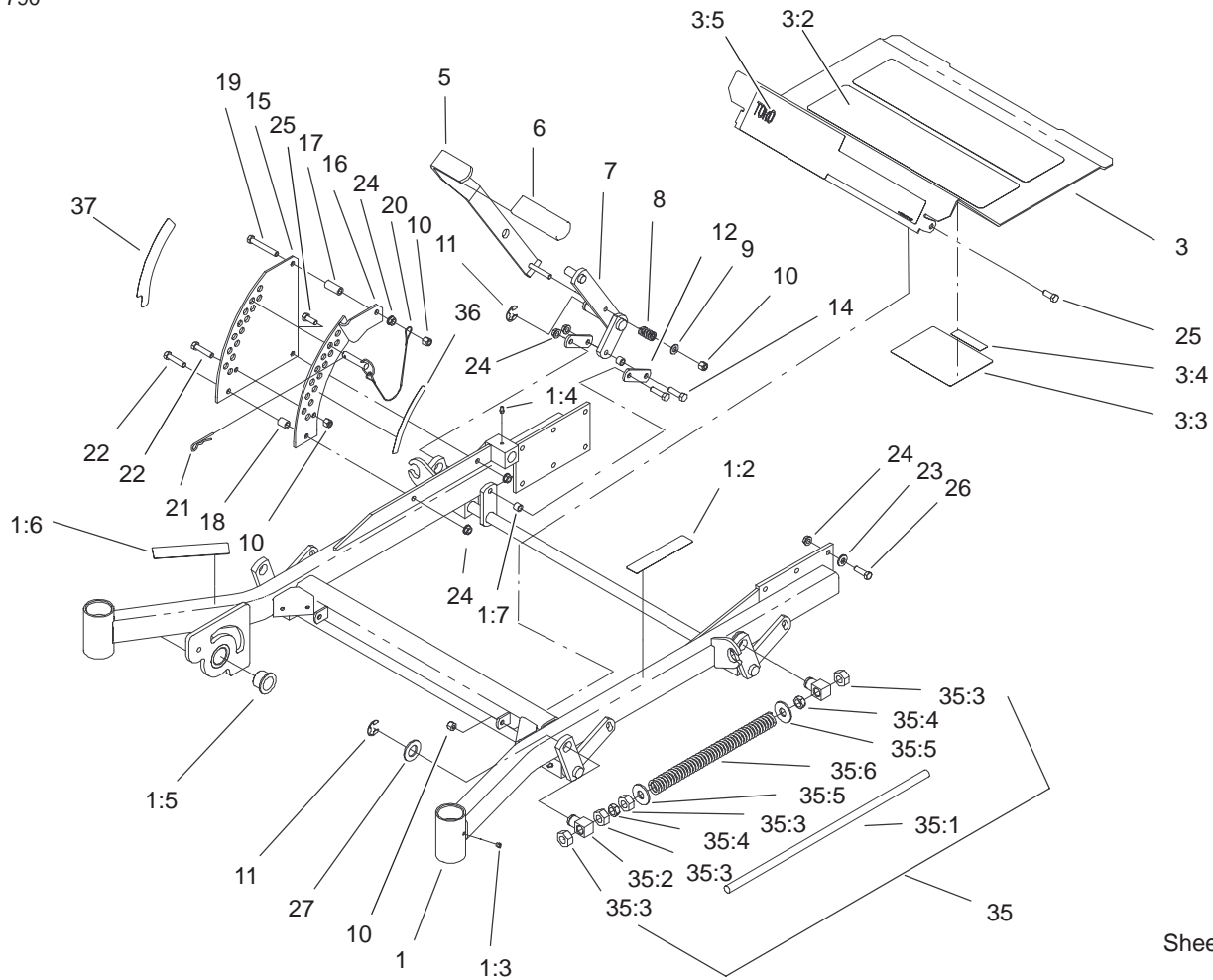
## Accessories

<b>Description</b>	<b>Model / Part No.</b>	<b>Description</b>	<b>Model / Part No.</b>
Suspension Seat Kit .....	99-8522	Striping Kit .....	30163
Hitch Kit .....	99-8925	Recycler Kit .....	100-9678
Atomic Blade Assembly .....	104-1304		

## Part Description Abbreviations

Part descriptions in this catalog may include the following abbreviations.

<b>Abbreviation</b>	<b>Meaning</b>	<b>Abbreviation</b>	<b>Meaning</b>
AR .....	as required	HYD .....	hydraulic
ASM .....	assembly	INC .....	incorporated
CARR .....	carriage	LH .....	left hand
DEG .....	degrees	NI .....	nylon insert
FH .....	flat head	PPH .....	Phillips pan head
GA .....	gauge	PTH .....	Phillips truss head
HF .....	hex flange	PTO .....	power take off
HH .....	hex head	RH .....	right hand
HHF .....	hex head flange	SFH .....	slotted fillister head
HLH .....	hex lag head	SHH .....	slotted hex head
HJ .....	hex jam	SQH .....	square head
HOC .....	height-of-cut	SHWH .....	slotted hex washer head
HS .....	hex socket	SPH .....	slotted pan head
HSBH .....	hex socket button head	SRH .....	slotted round head
HSFH .....	hex socket flat head	STD .....	standard
HSH .....	hex socket head	TAP .....	self tapping
HWH .....	hex washer head	TTH .....	Torx truss head
HWHTF .....	hex washer head thread forming	WH .....	wing head



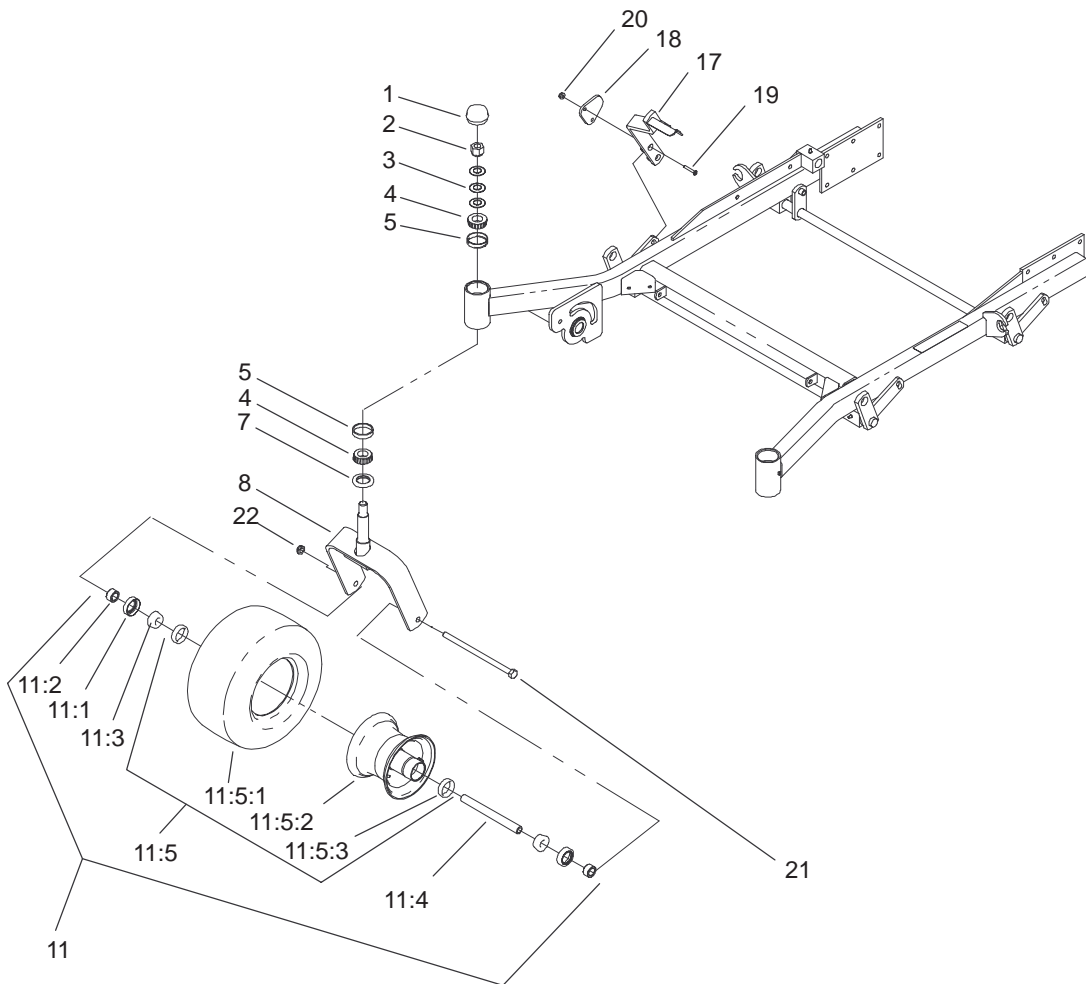
Sheet No.: 2

## Front Frame Assembly

Ref. No.	Part No.	Qty.	Description
1	104-5133	1	Frame ASM
1:2	1-633818	1	Decal-Warning
1:3	1-811010	2	Plug
1:4	302-19	5	Fitting-Grease
1:5	94-1291	2	Bushing-Special
1:6	104-7759	1	Decal-Warning
1:7	103-1918	1	Bushing
3	100-6509	1	Floorpan ASM
3:2	1-633553	3	Pad-Antiskid
3:3	1-633766	1	Decal-Check
3:4	98-5954	1	Decal-Missing, Cover
3:5	1-633737	1	Decal-Z-Master
5	103-2083-03	1	Lever-Lift
6	1-633295	1	Grip-Lever, Lift
7	103-2064-03	1	Arm-Lift, Deck
8	1-633325	1	Spring-Compression
9	3256-24	1	Washer-Flat
10	3296-39	5	Nut-Lock, NI
11	32151-103	5	Ring-Snap
12	1-633068	2	Arm-Lift, Deck
14	323-29	2	Screw-HH
15	1-633889-01	1	Plate-Lift, Deck
16	1-632899-01	1	Plate-Lift, Deck
17	1-633082	1	Bushing-Lever, Lift
18	1-633080	1	Bushing-Lever, Lift
19	323-13	1	Screw-HH

Ref. No.	Part No.	Qty.	Description
20	1-633097	1	Pin-Hitch W/Lanyard
21	1-806005	1	Pin-Hair
22	323-9	2	Screw-HH
23	98-5975	12	Washer-Belleville
24	3290-357	17	Nut-HHF
25	323-6	3	Screw-HH
26	323-7	12	Screw-HH
27	3256-29	4	Washer-Flat
☆35		2	Front Frame Spring ASM
35:1	1-633096	1	Rod-Lift, Deck
35:2	1-633441	2	Swivel-Deck Mount, Rear
35:3	3217-11	4	Nut-Hex
35:4	3218-6	2	Nut-Jam
35:5	3256-7	2	Washer-Flat
35:6	1-633064	1	Spring-Support, Deck
36	1-633706	1	Decal-Height, Deck
37	1-633345	1	Decal-Height, Deck

☆ Not serviced separately

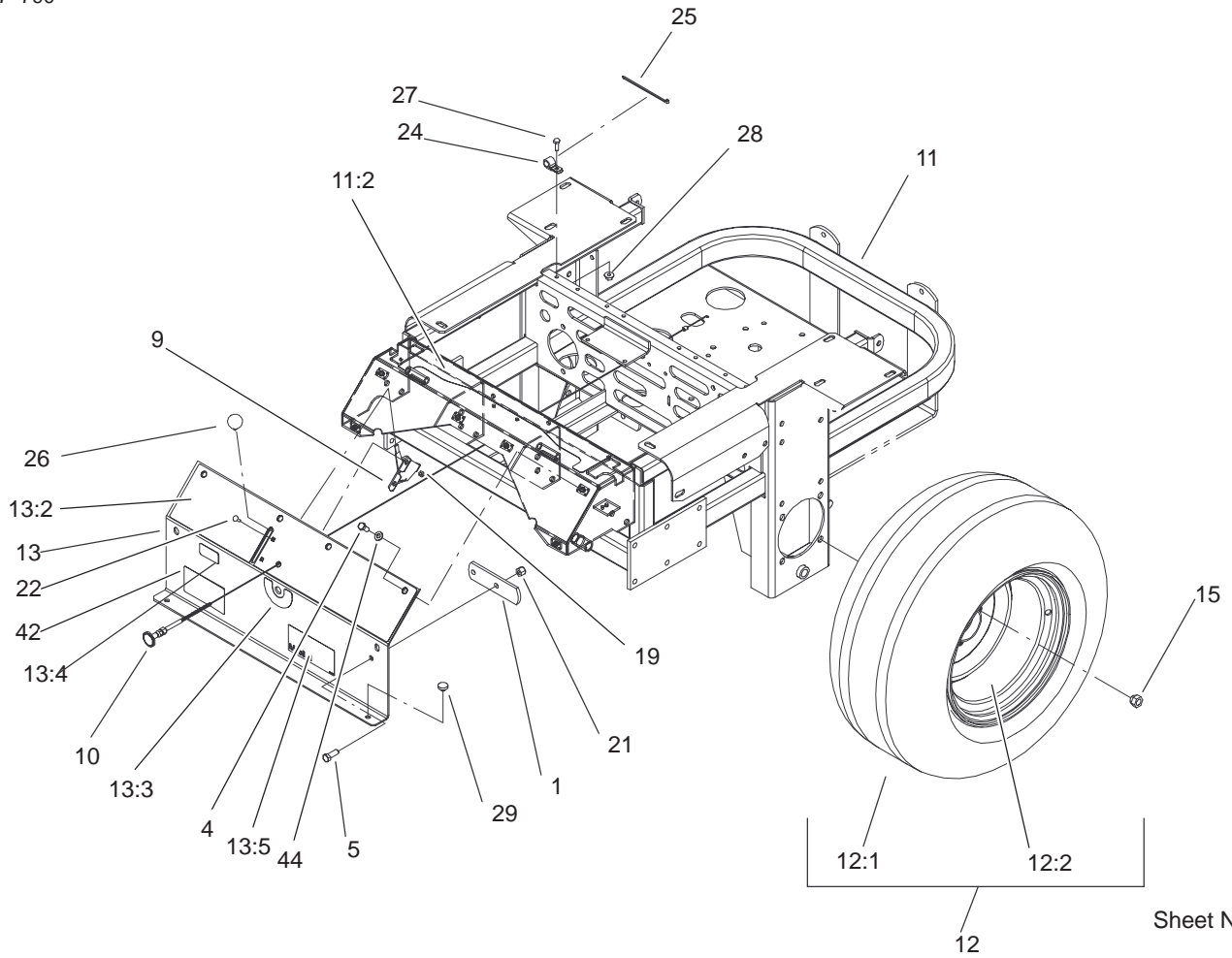


Sheet No.: 3

### Caster and Wheel Assembly

Ref. No.	Part No.	Qty.	Description
1	1-543513	2	Cap-Grease
2	3296-51	2	Nut-Lock, NI
3	1-633508	6	Washer-Bellville
4	254-94	4	Bearing-Cone, Taper
5	254-72	4	Bearing-Cup, Tapered
7	1-543511	2	Seal-Grease
8	103-1474-01	2	Fork-Caster
11	1-644251	2	Caster Wheel ASM
11:1	1-633580	2	Seal-Bearing
11:2	1-633581	2	Spacer-Bearing
11:3	1-633585	2	Bearing-Cone, Taper
11:4	1-633959	1	Spacer-Caster, Front
11:5		1	Wheel & Tire ASM
11:5:1	1-523009	1	Tire
11:5:2	1-633987	1	Wheel
11:5:3	1-633584	2	Bearing-Cup
17	100-4333-01	1	Lever-Lift, Deck
18	1-643220-01	1	Strap
19	3289-7	2	Screw
20	32128-20	2	Nut-HF
21	325-39	2	Screw-HH
22	3296-45	2	Nut-Lock, NI

Ref. No.	Part No.	Qty.	Description

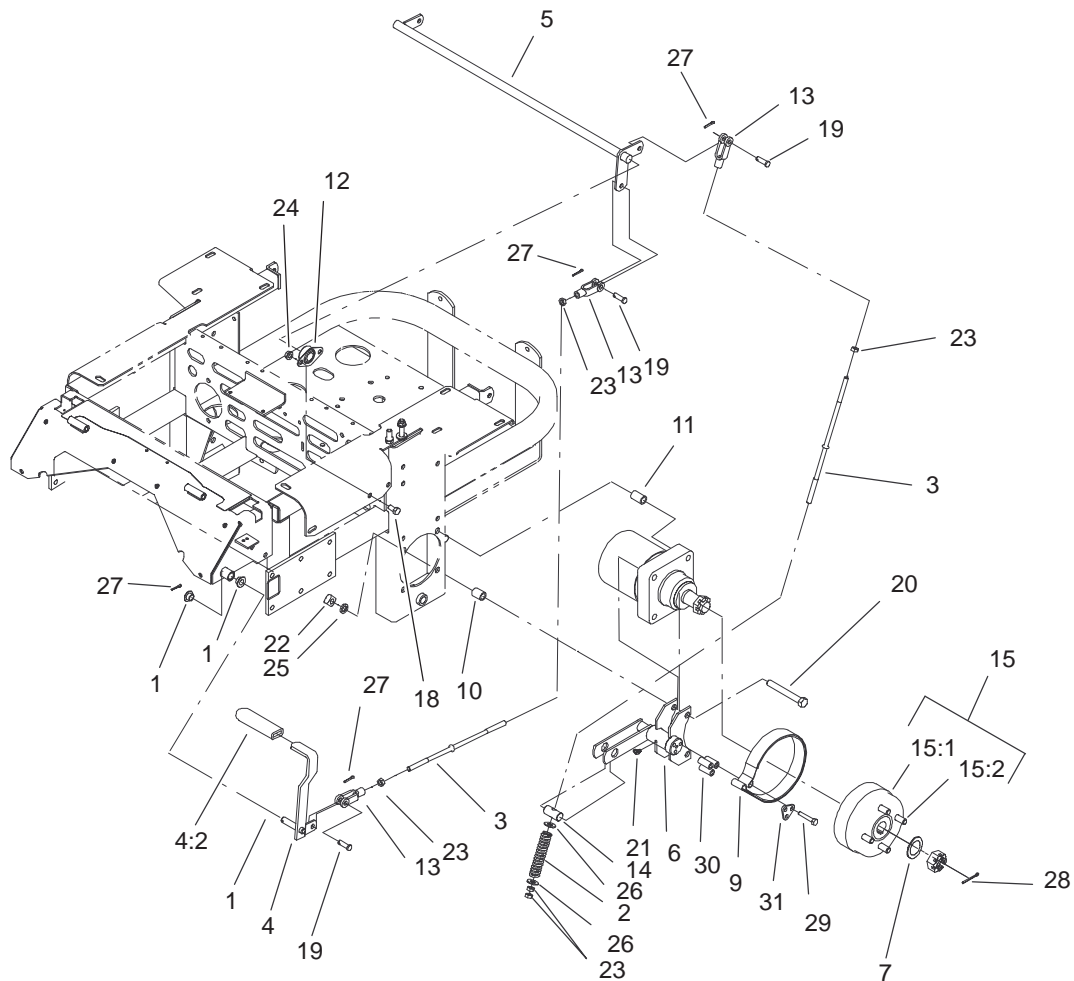


Sheet No.: 4

## Main Frame Assembly

Ref. No.	Part No.	Qty.	Description
1	1-633964-03	1	Stop-Brake, Park
4	322-3	6	Screw-HH
5	323-6	2	Screw-HH
9	1-633696	1	Cable-Throttle
10	1-603336	1	Control-Choke
11	105-6120	1	Rear Frame ASM
11:2	103-2433	1	Decal, Top Console
12	1-633970	2	Wheel & Tire ASM
12:1	1-633993	1	Tire
12:2	1-633992	1	Wheel
13	99-4623	1	Console ASM
13:2	100-4311	1	Decal-Panel, Control
13:3	103-0262	1	Decal-Valve, Fuel
13:4	98-4387	1	Decal-Protection, Ear
13:5	104-8172	1	Decal-Mobil 1
15	242-50	8	Nut-Lug
19	3296-2	2	Nut-Lock
21	3296-39	2	Nut-Lock, NI
22	1-807513	2	Bolt-CARR
24	1-513762	1	Clip-Loom
25	1-303335	1	Tie-Plastic
26	1-513592	1	Knob-Ball
27	321-4	1	Screw-HH
28	32128-33	1	Nut-HF
29	1-513658	2	Bumper-Catcher, Grass

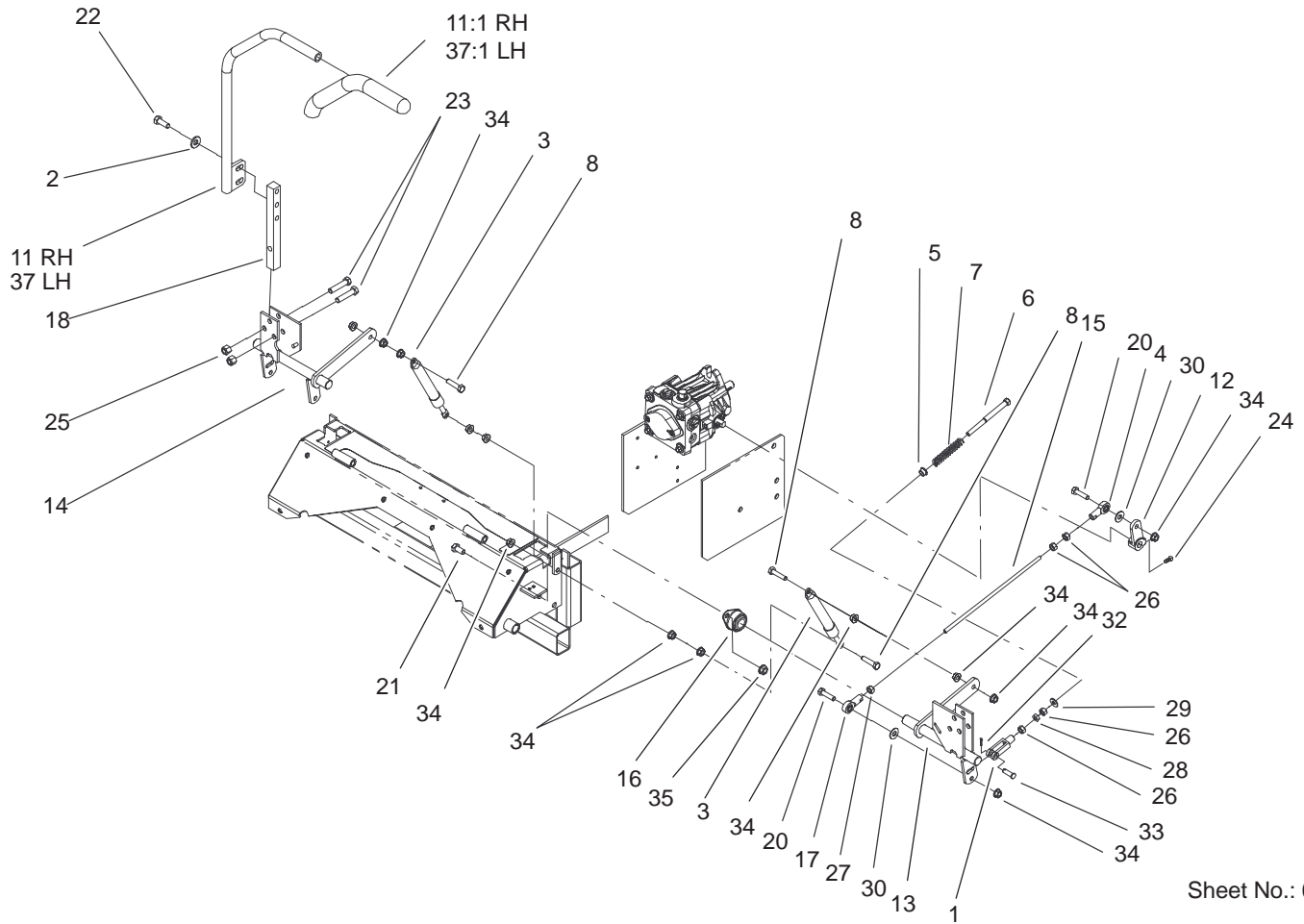
Ref. No.	Part No.	Qty.	Description
42	1-633736	1	Decal-Toro, Z255
44	3256-23	6	Washer-Flat



Sheet No.: 5

## Brake and Wheel Hub Assembly

Ref. No.	Part No.	Qty.	Description	Ref. No.	Part No.	Qty.	Description
1	1-513140	2	Bearing-Control	27	3272-10	7	Pin-Cotter
2	1-633454	2	Spring-Brake	28	1-806800	2	Pin-Cotter
3	1-633477	3	Rod-Brake	29	322-9	6	Screw-HH
4	1-634500	1	Brake Lever ASM	30	103-0384	6	Spacer
4:2	1-633268	1	Grip-Lever, Brake	31	103-0374	2	Retainer-Band, Brake
5	1-632217-03	1	Shaft-Brake				
6	103-0354-03	2	Bracket-Brake				
7	1-523157	2	Washer-Spacer				
9	103-0355	2	Band-Brake				
10	1-633060	4	Spacer-Wheel, Short				
11	1-633062	4	Spacer-Wheel, Long				
12	1-633102	2	Bearing-Flange, Side				
13	1-633131	4	Yoke-Linkage, Brake				
14	1-633144	2	Pin-Trunion				
15	103-0590	2	Hub-Wheel				
15:1	103-0589	1	Hub-Wheel				
15:2	1-633926	4	Stud-Wheel				
18	323-4	4	Screw-HH				
19	1-808285	4	Pin-Clevis				
20	325-20	8	Screw-HH				
21	302-19	2	Fitting-Grease				
22	103-0131	8	Nut-Square				
23	3219-3	8	Nut-HH				
24	3290-357	4	Nut-HHF				
25	3253-7	8	Washer-Lock				
26	3256-4	4	Washer-Flat				

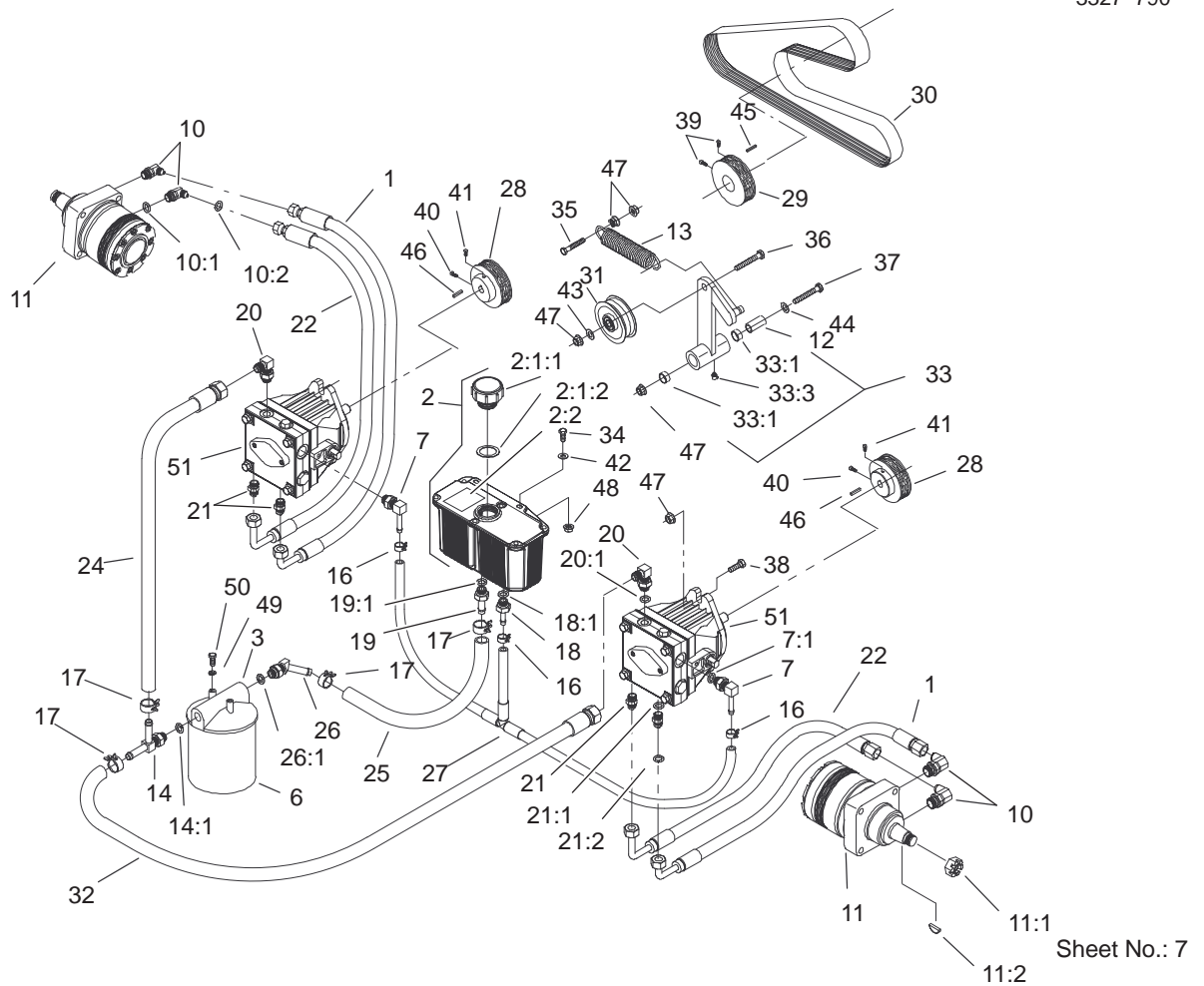


## Steering Control Assembly

Ref. No.	Part No.	Qty.	Description
1	1-303105	2	Yoke-Adjustable
2	98-5975	4	Washer-Belleville
3	1-523027	2	Damper-Control
4	1-543017	2	Balljoint-RH
5	1-603735	2	Bushing-Flanged
6	1-603737	2	Bolt-Return, Neutral
7	1-603807	2	Spring-Return, Neutral
8	1-403180	4	Screw-HH
11	103-0632	1	RH Lever ASM
11:1	1-633257	1	Grip-Control, Motion
12	1-632208	2	Arm-Control, Pump
13	1-642319	1	Control-Motion, LH
14	1-642320	1	Control-Motion, RH
15	1-633153	2	Linkage-Pump/Lever
16	1-633102	4	Bearing-Flange, Side
17	1-633152	2	Balljoint-Thread, LH
18	103-0407	2	Arm-Shaft, Control
20	322-6	4	Screw-HH
21	323-4	8	Screw-HH
22	323-6	4	Screw-HH
23	323-9	6	Screw-HH
24	1-803022	2	Screw
25	3296-39	6	Nut-Lock, NI
26	3219-2	10	Nut-Hex
27	1-804524	2	Nut

Ref. No.	Part No.	Qty.	Description
28	3220-2	2	Nut
29	3256-2	2	Washer-Flat
30	3256-3	4	Washer-Flat
32	3272-5	2	Pin-Cotter
33	1-808280	2	Pin-Clevis
34	32128-20	16	Nut-HF
35	3290-357	8	Nut-HHF
37	103-0631	1	LH Lever ASM
37:1	1-633257	1	Grip-Control, Motion





Sheet No.: 7

## Hydraulic System Assembly

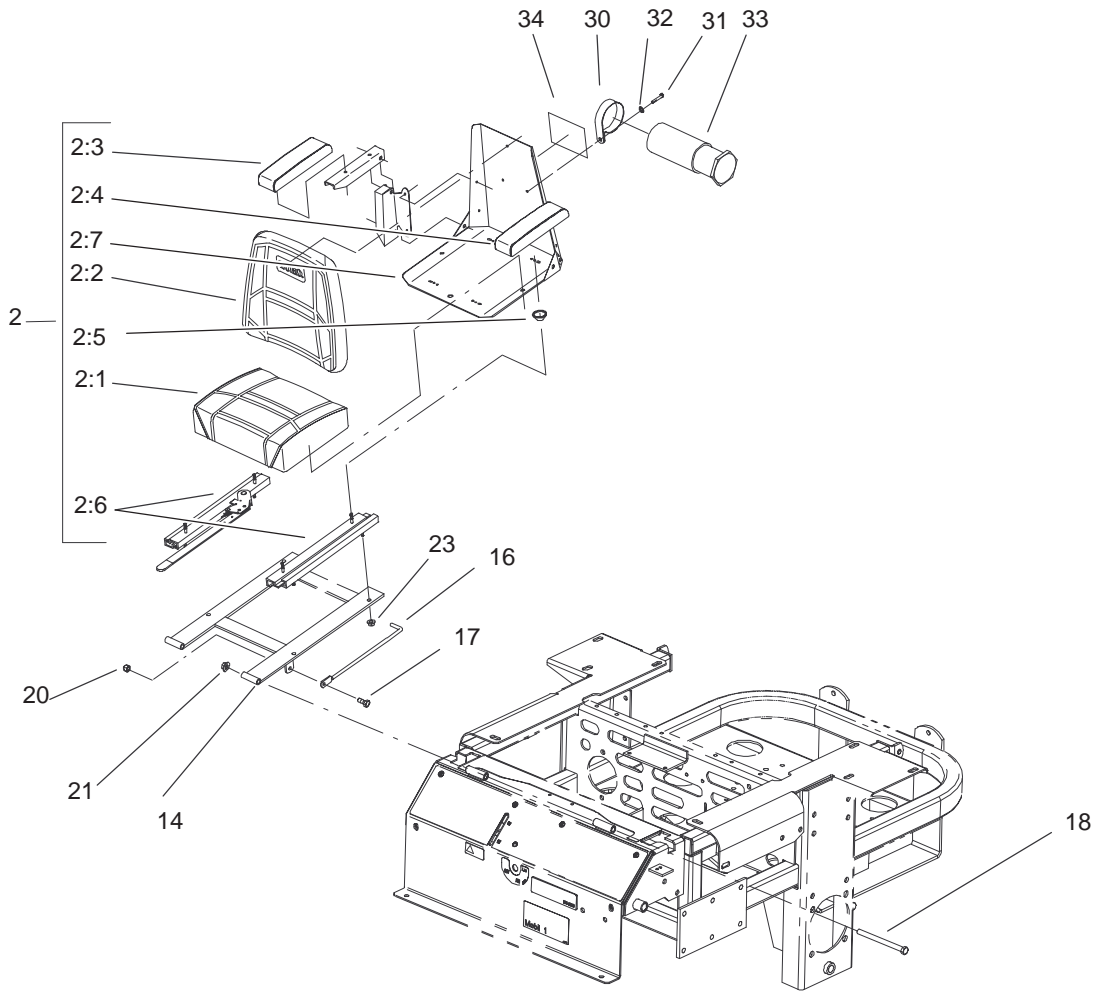
Ref. No.	Part No.	Qty.	Description
1	1-633776	2	Hose-Upper
2	103-1947	1	HYD Reservoir ASM
☆2:1		1	Reservoir-HYD
2:1:1	103-1948	1	Cap-HYD Reservoir
2:1:2	103-1949	1	Gasket-Cap
2:2	1-523552	1	Decal-Tank, Hydraulic
3	104-7836	1	Head-Filter
6	1-633750	1	Filter-HYD
6	1-633752	1	Filter-HYD, Winter
7	103-1799	2	Elbow-90°
7:1	237-42	1	O-Ring
10	1-633786	4	Fitting-90°
10:1	237-80	1	O-Ring
10:2	1-603992	1	O-Ring
11	1-523328	2	Motor-Wheel
11:1	1-809036	1	Nut-HH
11:2	3257-42	1	Key-Woodruff
*11:99	103-2748	1	Kit-Link, Drive
*11:99	1-000139	1	Kit-Bearing
*11:99	1-000099	1	Kit-Seal
12	1-603384	1	Bushing-Pivot, Idler
13	1-633151	1	Spring-Extension
14	103-1828	1	Adapter-Run, Tee
14:1	237-42	1	O-Ring
16	103-1716	3	Clamp-Hose
17	103-1988	4	Clamp-Hose

Ref. No.	Part No.	Qty.	Description
18	103-1801	1	Adapter-Straight
18:1	237-42	1	O-Ring
19	103-1912	1	Adapter-Straight
19:1	237-42	1	O-Ring
20	103-1802	2	Elbow-90°
20:1	237-42	1	O-Ring
21	1-603990	4	Fitting-Straight
21:1	237-79	1	O-Ring
21:2	1-603992	1	O-Ring
22	103-1863	2	Hose-Lower
24	103-1826	1	HYD Hose ASM
25	103-1808	1	Hose-HYD
26	103-1807	1	Elbow-45°
26:1	237-42	1	O-Ring
27	103-1806	1	HYD Hose ASM
28	1-633568	2	Sheave
29	1-633567	1	Sheave
30	1-633749	1	Belt-Drive, Pump
31	1-633167	1	Sheave-Idler
32	103-1827	1	HYD Hose ASM
33	1-634277	1	Bearing Arm ASM
33:1	1-513034	2	Sleeve-Bearing
33:3	302-40	1	Fitting-Grease
34	321-6	2	Screw-HH
35	323-8	1	Screw-HH
36	323-9	1	Screw-HH

☆ Not serviced separately

\* Not illustrated

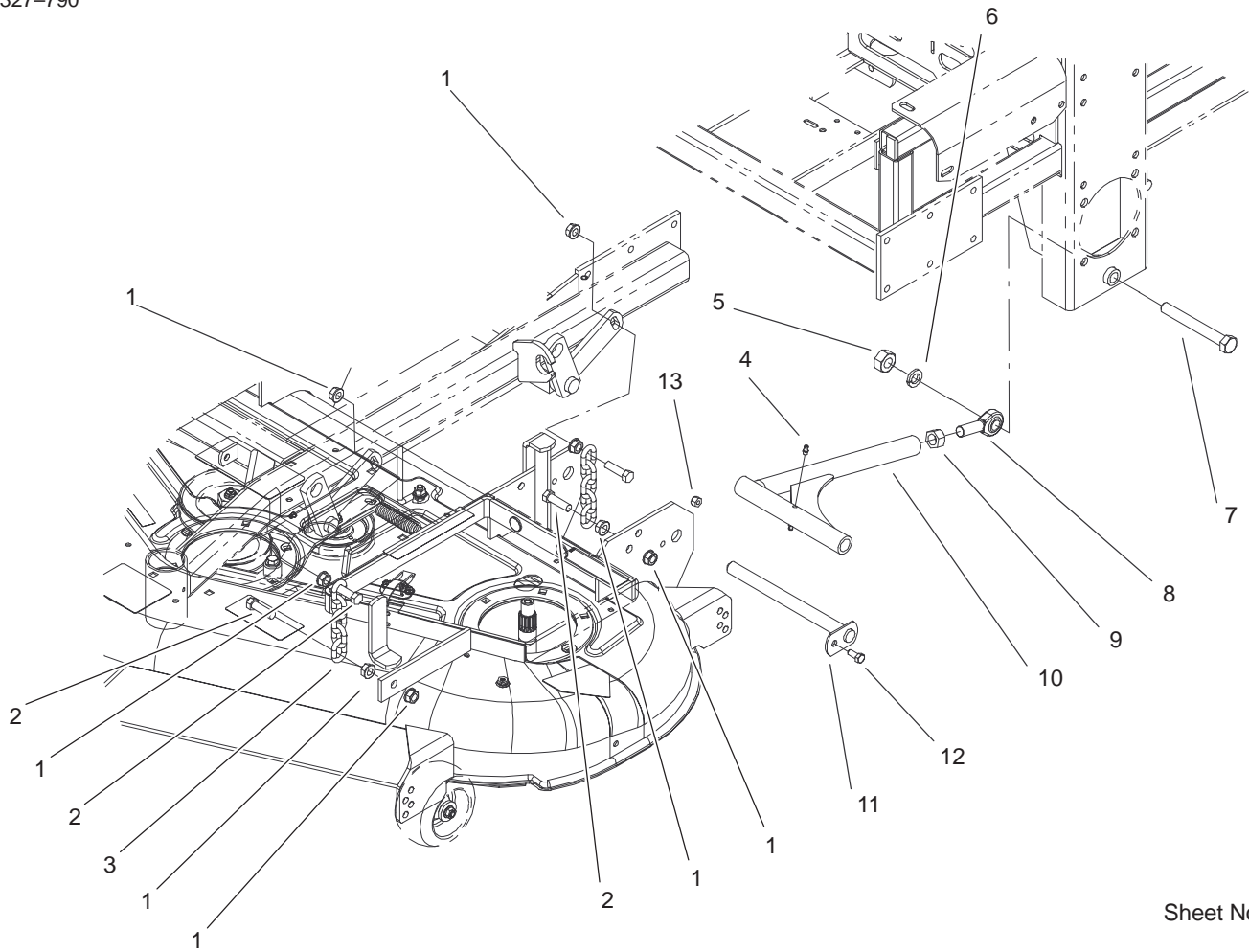




Sheet No.: 8

### Seat Assembly

Ref. No.	Part No.	Qty.	Description	Ref. No.	Part No.	Qty.	Description
2	1-633705	1	Seat W/Tracks				
2:1	103-0290	1	Cushion-Bottom, Seat				
2:2	104-7754	1	Cushion-Back, Seat				
2:3	1-633710	1	Cushion-Armrest, RH				
2:4	1-633711	1	Cushion-Armrest, LH				
2:5	1-543401	4	Spacer-Track				
2:6	1-643255	1	Track-Seat				
2:7	1-633859	1	Frame-Seat				
14	1-632187-03	1	Frame-Seat				
16	1-633293	1	Rod-Holdup, Seat				
17	322-5	1	Screw-HH				
18	323-39	2	Screw-HH				
20	3296-29	1	Nut-Lock, NI				
21	3296-39	2	Nut-Lock, NI				
23	32128-20	4	Nut-HF				
30	2412-133	2	R-Clamp				
31	32104-76	2	Screw				
32	3256-16	2	Washer-Flat				
33	74-0720	1	Tube-Manual				
34	99-4693	1	Decal-Toro				

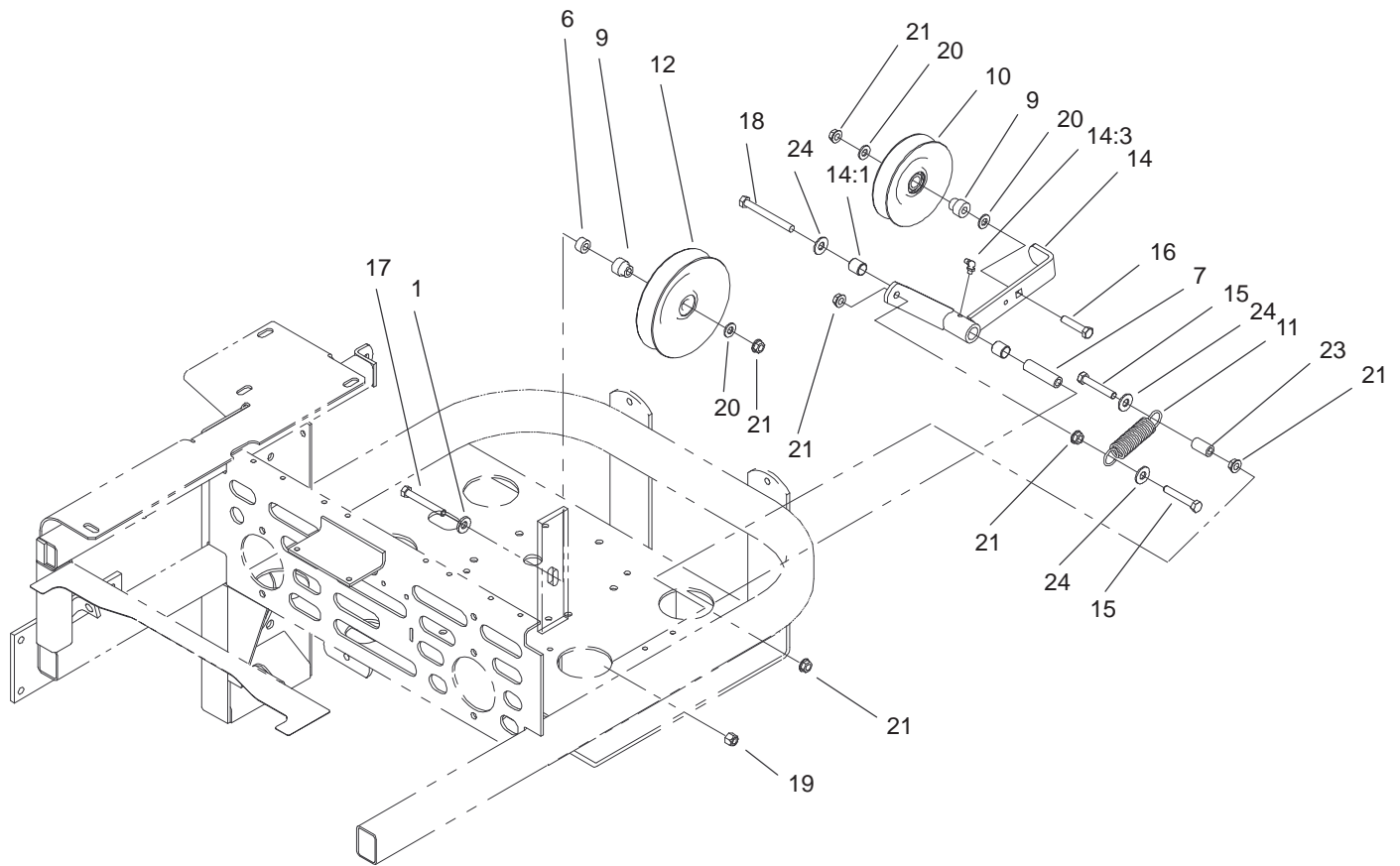


Sheet No.: 9

## Deck Connection Assembly

Ref. No.	Part No.	Qty.	Description
1	32128-37	16	Nut-HF
2	1-800811	8	Screw-Cap, HH
3	1-633447	4	Chain-Lift, Deck
4	302-19	4	Fitting-Grease
5	3217-11	2	Nut-Hex
6	3253-8	2	Washer-Lock
7	327-11	2	Screw-HH
8	1-633029	2	Balljoint-Spherical
9	3219-6	2	Nut-Hex
10	103-1072-01	2	Strut-Deck
11	1-632199-01	2	Pin-Strut, Deck
12	322-3	2	Screw-HH
13	3296-29	2	Nut-Lock, NI

Ref. No.	Part No.	Qty.	Description

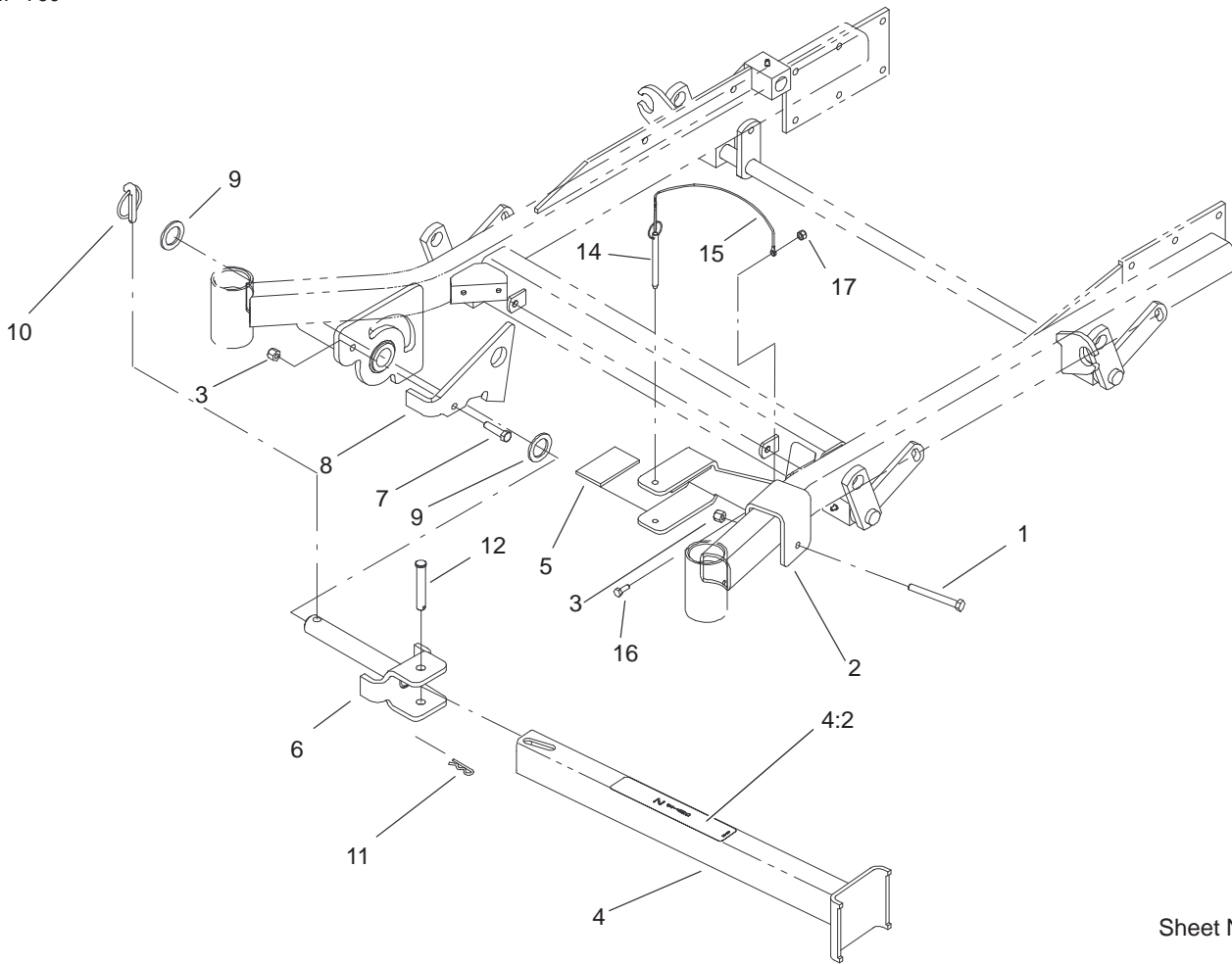


Sheet No.: 10

### Drive Idler Assembly

Ref. No.	Part No.	Qty.	Description
1	98-5975	1	Washer-Belleville
6	1-603050	1	Spacer
7	1-603384	1	Bushing-Pivot, Idler
9	1-603496	2	Bushing-Idler
10	99-4638	1	Idler
11	1-603402	1	Spring-Extension
12	1-633166	1	Idler Pulley
14	99-4677	1	Idler Arm ASM
14:1	1-513034	2	Sleeve-Bearing
14:3	302-40	1	Fitting-Grease
15	323-11	2	Screw-HH
16	323-9	1	Screw-HH
17	323-13	1	Screw-HH
18	1-800805	1	Screw-HH
19	3296-39	1	Nut-Lock, NI
20	3256-24	3	Washer-Flat
21	3290-357	6	Nut-HHF
23	1-603401	1	Spacer-Fender
24	3256-4	3	Washer-Flat

Ref. No.	Part No.	Qty.	Description

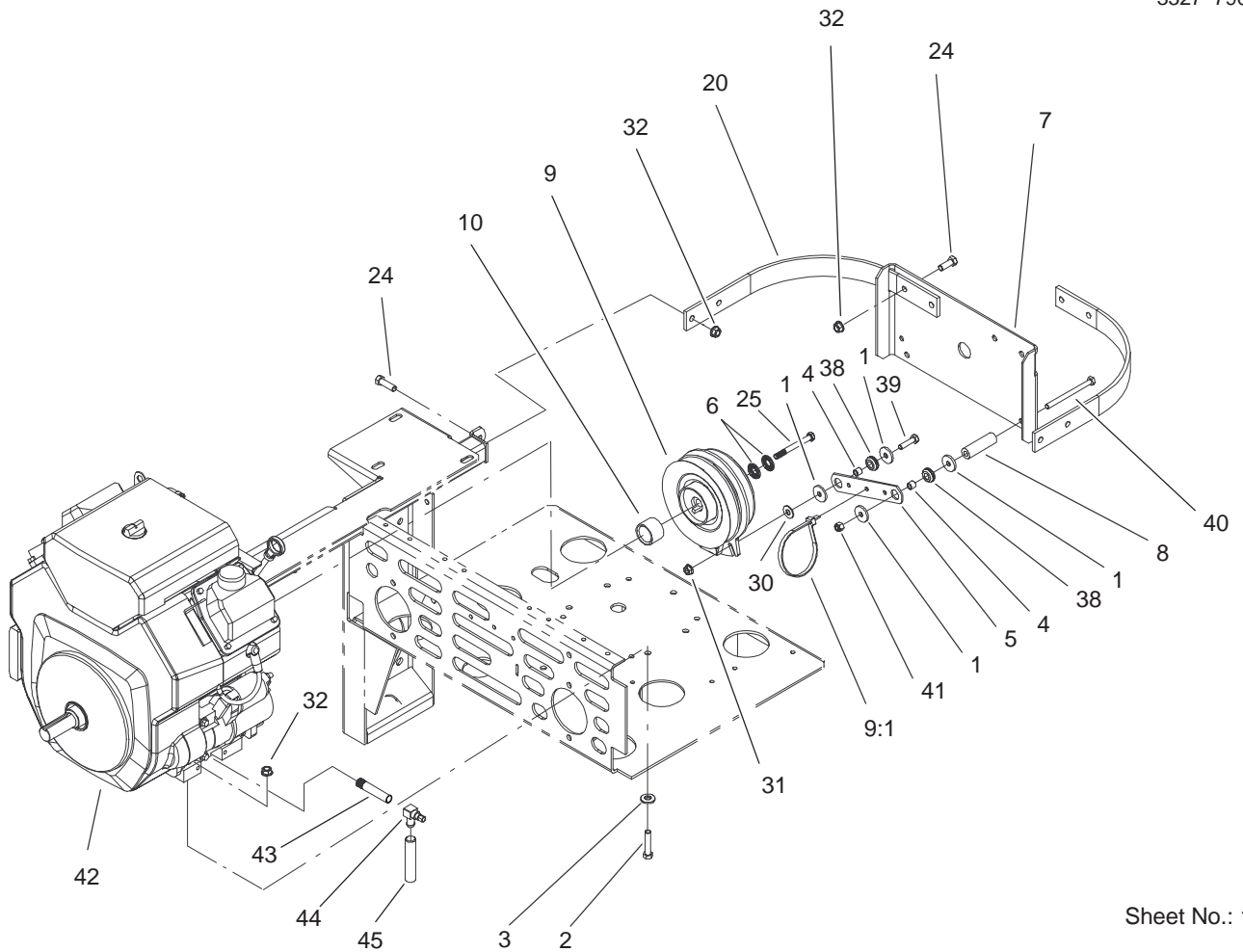


Sheet No.: 11

## Z-Stand Assembly

Ref. No.	Part No.	Qty.	Description
1	323-20	1	Screw-HH
2	100-6542-01	1	Bracket-Cradle
3	3296-39	2	Nut-Lock, NI
4	100-6545	1	Leg ASM
4:2	104-7758	1	Decal-Z Stand
5	283-55	1	Pin-Clevis
6	100-9692-01	1	Pivot Pin ASM
7	323-8	1	Screw-HH
8	100-9686-01	1	Bracket-Latch
9	3-6781	2	Washer-Thrust
10	283-71	1	Pin-Lynch
11	3290-355	1	Pin-Hair
12	100-6547	2	Cushion-Rubber
14	105-1647	1	Pin-Hitch, Cotterless
15	100-9385	1	Lanyard-Nylon
16	321-4	1	Screw-HH
17	3296-42	1	Nut-Lock, NI

Ref. No.	Part No.	Qty.	Description

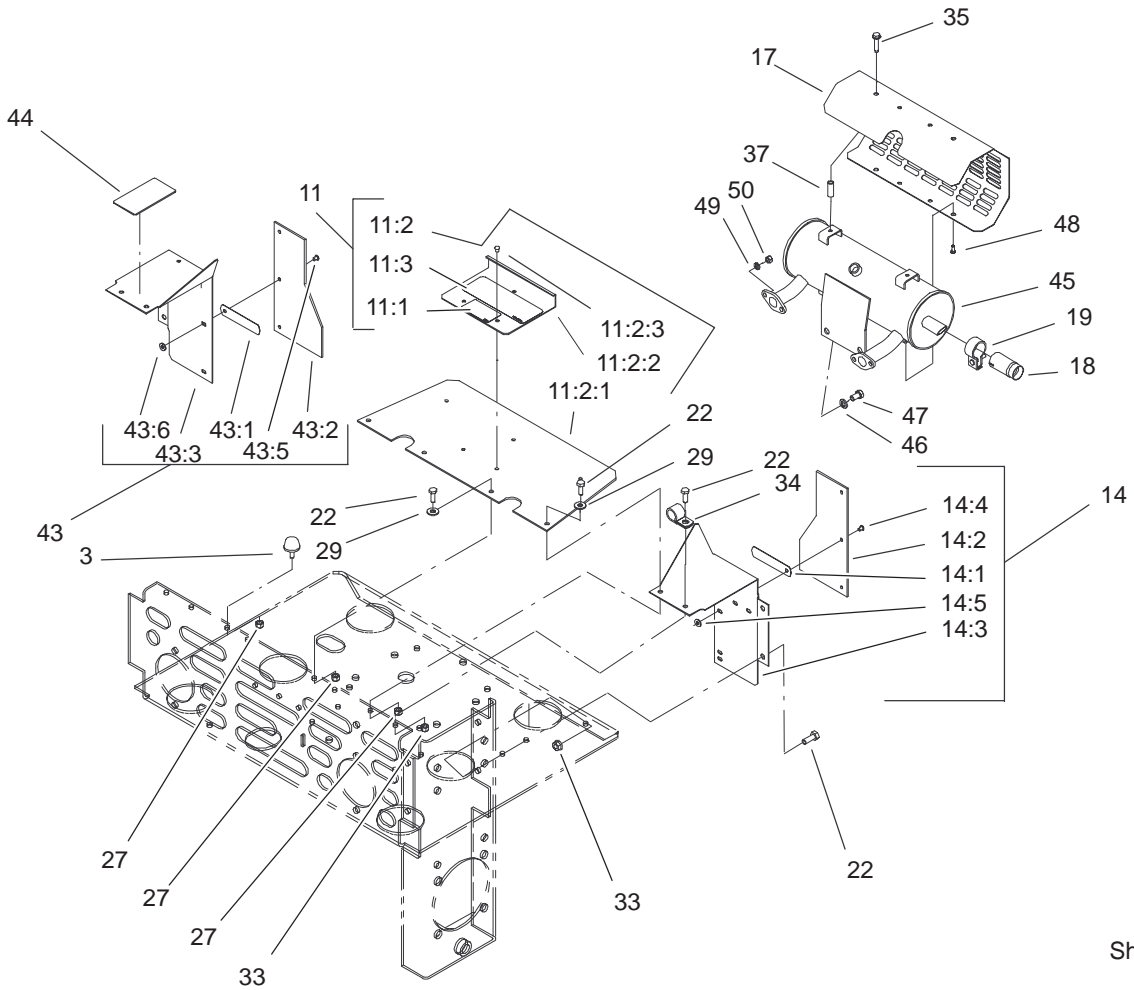


Sheet No.: 12

## Engine and Clutch Assembly

Ref. No.	Part No.	Qty.	Description	Ref. No.	Part No.	Qty.	Description
1	1-613235	4	Washer	44	103-1965	1	Valve-Drain, Oil
2	323-9	4	Screw-HH	45	103-1964	1	Hose, Oil Drain
3	98-5975	4	Washer-Belleville				
4	1-633545	2	Spacer-Grommet				
5	1-633543-03	1	Strap-Clutch, Brake				
6	1-603610	2	Washer-Spring				
7	1-633615-03	1	Guard-Clutch				
8	1-633988	1	Spacer-Anchor, Clutch				
9	103-1364	1	Clutch				
9:1	1-303335	1	Tie-Plastic				
10	1-633179	1	Spacer-Clutch				
20	1-643264-03	2	Bracket-Guard, Top				
24	323-6	6	Screw-HH				
25	3212-6	1	Screw-HH				
30	3256-3	1	Washer-Flat				
31	32128-20	1	Nut-HF				
32	3290-357	8	Nut-HHF				
38	1-633630	2	Grommet-Brake				
39	322-6	1	Screw-HH				
40	322-19	1	Screw-HH				
41	3296-29	1	Nut-Lock, NI				
☆42		1	Engine-Kawasaki, Fh721d As-05				
43	103-1966	1	Adapter				

☆ Not serviced separately



Sheet No.: 13

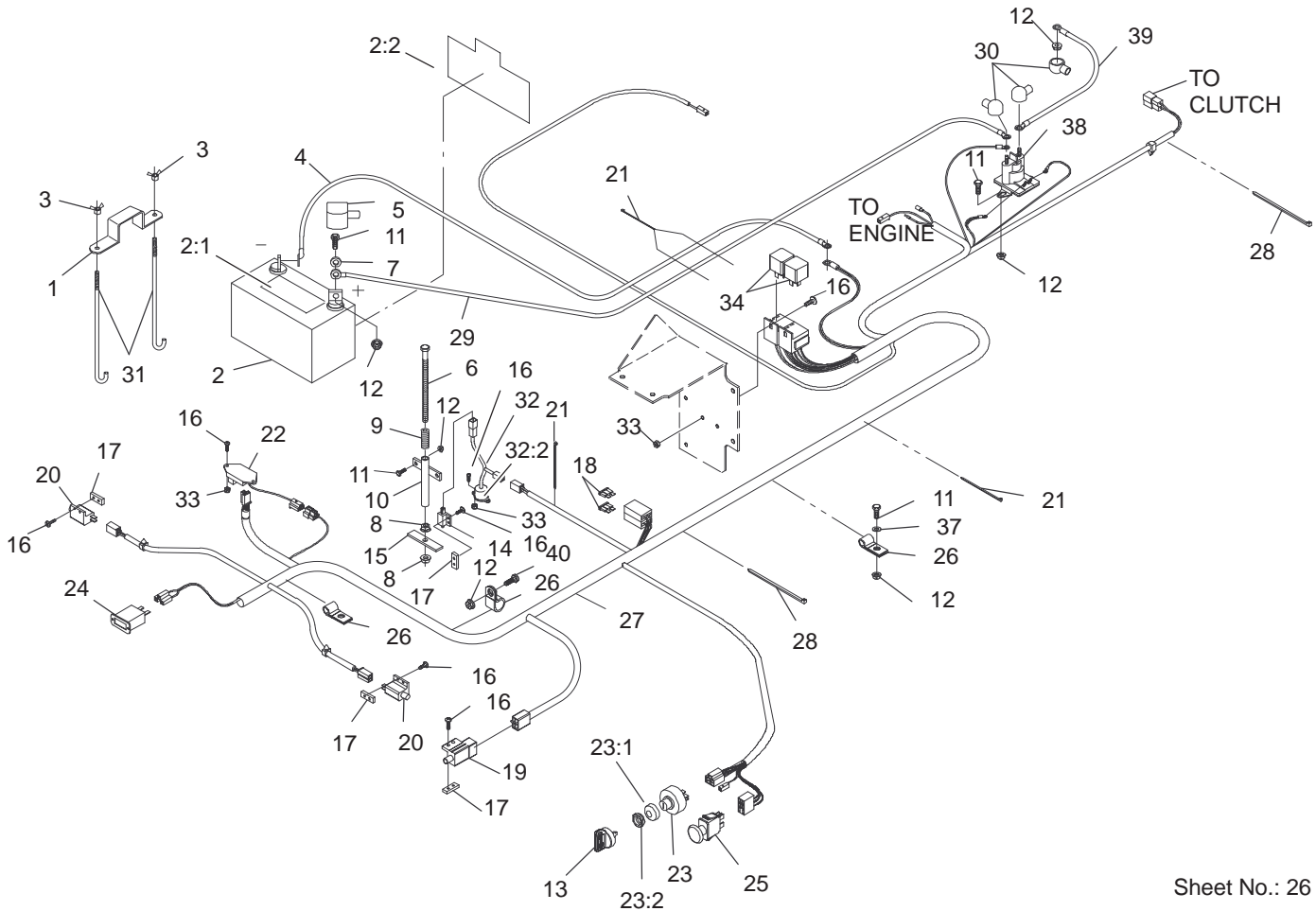
## Guard Assembly

Ref. No.	Part No.	Qty.	Description
3	1-523420	2	Bumper
11	105-6196	1	Shield ASM W/ Decals
11:1	1-633462	1	Decal-Important
11:2	103-1301	1	Drive Cover ASM
11:2:1	103-1308	1	Shield-Engine
11:2:2	103-1304-03	1	Plate, Drive Cover
11:2:3	1-803035	5	Rivet-Pop
11:3	103-0368	1	Decal-Devices, Rotating
14	103-0241	1	LH Extended Shield ASM
14:1	1-523285	2	Clip-Baffle, Rear
14:2	103-0243	1	Shield, Engine/Pump Drive
14:3	1-633795-03	1	Baffle-Engine Shield, LH
14:4	1-803035	3	Rivet-Pop
14:5	3256-63	3	Washer-Flat
17	1-643313-03	1	Guard-Muffer
18	103-1513	1	Arrester-Spark
19	103-1514	1	Clamp-Muffer
22	321-4	10	Screw-HH
27	3296-42	6	Nut-Lock, NI
29	3256-2	4	Washer-Flat
33	32128-33	5	Nut-HF
34	1-633396	1	Clip-Loom

Ref. No.	Part No.	Qty.	Description
35	1-809108	2	Screw-HWH
37	1-323236	2	Spacer
43	103-0242	1	RH Extended Shield ASM
43:1	1-523285	2	Clip-Baffle, Rear
43:2	103-0243	1	Shield, Engine/Pump Drive
43:3	1-633794-03	1	Baffle-Engine Shield, RH
43:5	1-803035	3	Rivet-Pop
43:6	3256-63	3	Washer-Flat
44	1-643339	1	Decal-Routing, Belt
45	103-0202	1	Muffer
46	3253-6	2	Washer-Lock
47	324-2	2	Screw-HH
48	9266934	2	Screw
49	1-805005	4	Washer-Lock
50	33014-00	4	Nut-Hex





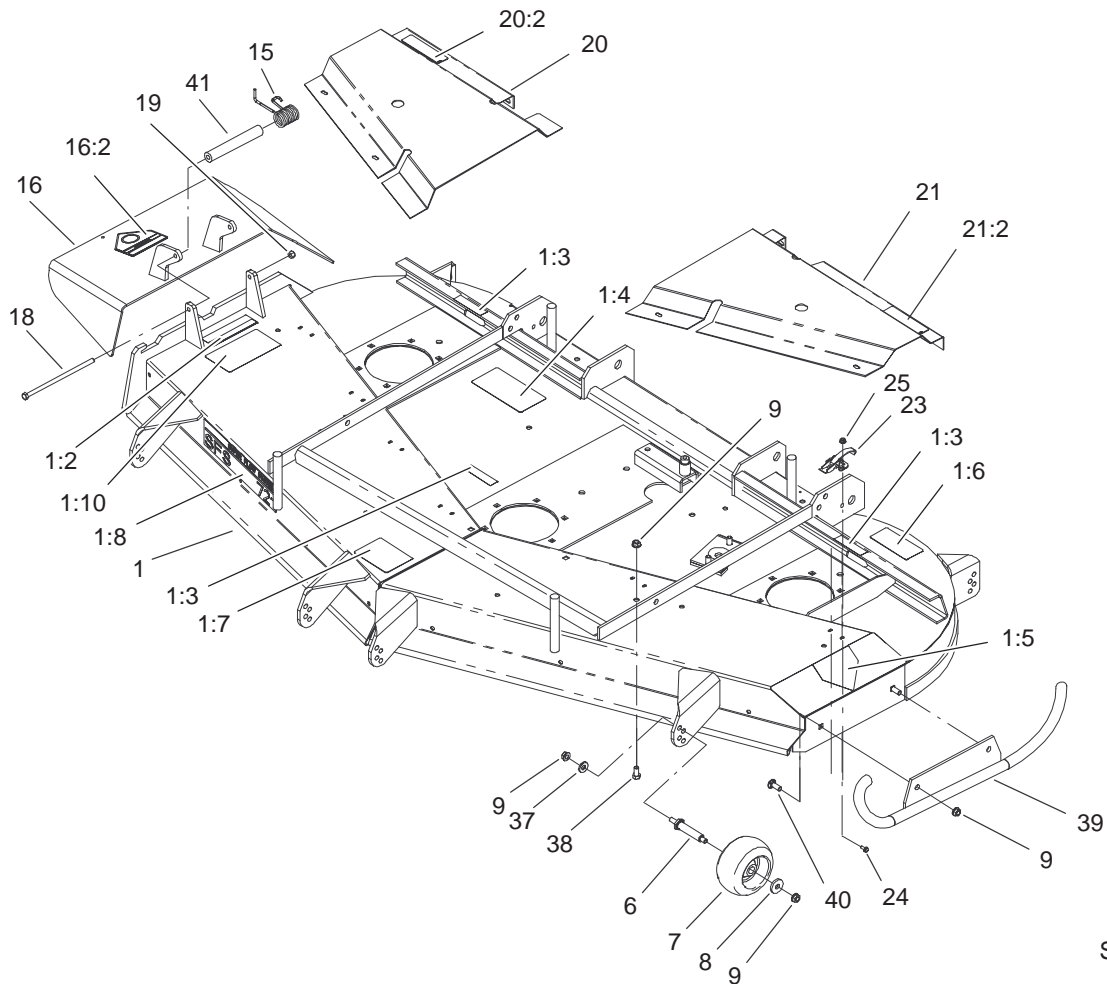


Sheet No.: 26

## Electrical System Assembly

Ref. No.	Part No.	Qty.	Description
1	1-633652-03	1	Strap-Holddown, Battery
2	105-1692	1	Battery
2:1	104-4163	1	Decal-Battery
2:2	104-4164	1	Decal-Battery
3	1-543792	2	Wingnut
4	1-633307	1	Wire-Ground
5	1-543391	1	Insulator-Battery
6	1-800282	1	Screw-HH
7	3256-2	2	Washer-Flat
8	32128-20	2	Nut-HF
9	1-523415	1	Spring-Switch, Seat
10	1-522424-03	1	Mount-Spring, Seat
11	321-4	8	Screw-HH
12	32128-33	8	Nut-HF
13	63-8360	2	Key-Ignition
14	1-513152	1	Switch-Closed, Normally
15	1-513180	1	Plate-Switch, Seat
16	3290-500	14	Screw-PPH
17	1-633181	4	Plate-Tapped
18	1-816001	2	Fuse-Type, Blade
19	1-633111	1	Switch
20	1-513051	2	Switch-Open, Normally
21	1-303287	5	Tie-Plastic

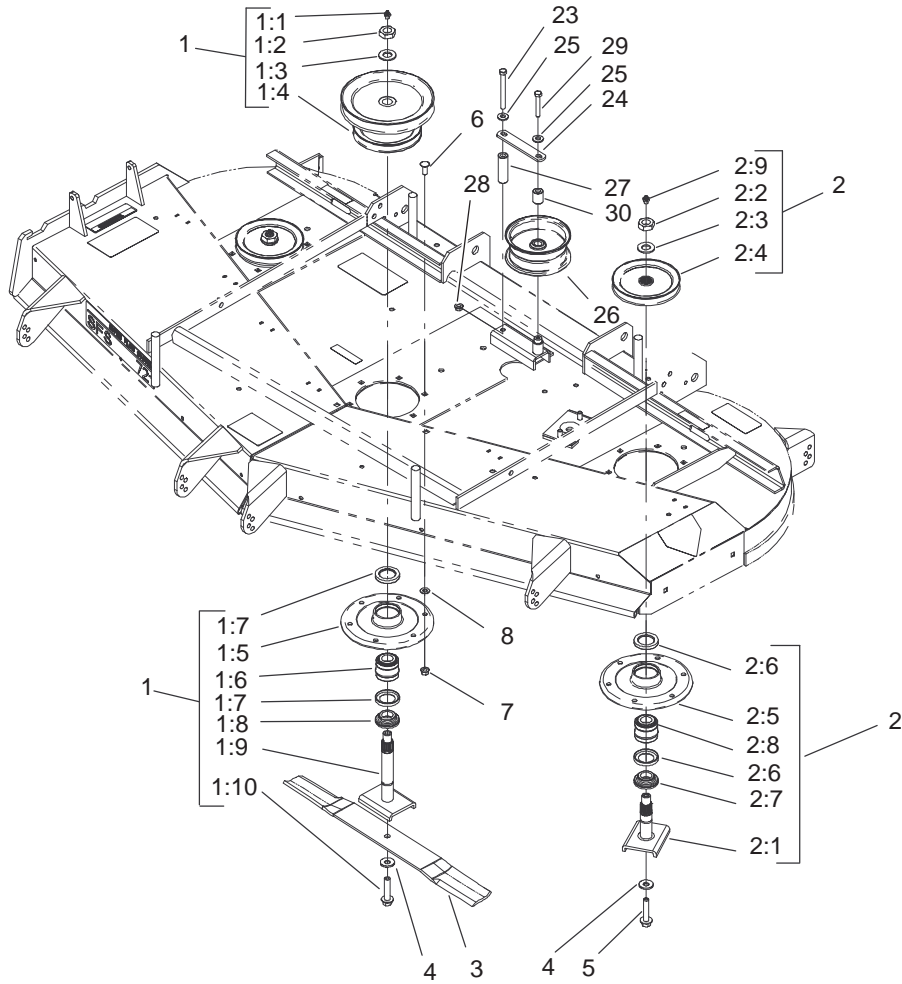
Ref. No.	Part No.	Qty.	Description
22	100-6186	1	Module-Delay, Seat
23	88-9830	1	Key Switch ASM
23:1	3254-5	1	Washer-Lock, Internal
23:2	218-461	1	Nut-HH
24	1-513374	1	Meter-Hour
25	1-633673	1	Switch-Delta
26	1-633396	3	Clip-Loom
27	105-3191	1	Harness-Wire
28	1-303335	2	Tie-Plastic
29	1-523281	1	Wire-Starter
30	1-543393	3	Insulator-Solenoid
31	1-633651	2	Bolt-Holddown
32	1-644427	1	Tilt Switch ASM
32:2	1-643401	1	Decal-Switch, Mercury
33	3296-2	6	Nut-Lock
34	1-643275	2	Relay
37	3256-22	1	Washer-Flat
38	1-513075	1	Switch-Solenoid
39	1-633306	1	Wire-Starter
40	321-2	1	Screw-HH



Sheet No.: 71

## Deck, Deflector and Roller Assembly

Ref. No.	Part No.	Qty.	Description	Ref. No.	Part No.	Qty.	Description
1	105-1698	1	Deck ASM	23	249-21	4	Clamp-Slotted
1:2	104-8569	1	Decal-Warning, Deflector	24	3290-321	8	Screw-HWH
1:3	98-5954	3	Decal-Missing, Cover	25	32128-17	8	Nut-Lock, Flange
1:4	99-4686	1	Decal-Routing, Belt	37	98-5975	6	Washer-Belleville
1:5	43-8480	1	Decal-Danger	38	323-2	6	Screw-HH
1:6	93-7818	1	Decal-Torque, Blade Bolt	39	98-7923-01	1	Skid
1:7	98-3798	1	Decal-Wheel, Gage	40	3231-21	2	Screw-CARR
1:8	98-5995	1	Decal-Deck	41	105-4622	1	Spacer-Mounting, Deflector
1:10	66-1340	1	Decal-Danger				
6	99-2842	6	Spacer-Wheel				
7	68-2730	6	Wheel-Gage				
8	1-373034	6	Washer-Swivel				
9	3290-357	18	Nut-HHF				
15	104-8554	1	Spring-Torsion				
16	105-3605	1	Deflector ASM				
16:2	54-9220	1	Decal-Danger				
18	322-50	1	Screw-Cap				
19	3296-29	1	Nut-Lock, NI				
20	100-6527	1	RH Cover W/Decal ASM				
20:2	67-5360	1	Decal-Danger				
21	99-2623	1	LH Cover W/Decal ASM				
21:2	67-5360	1	Decal-Danger				

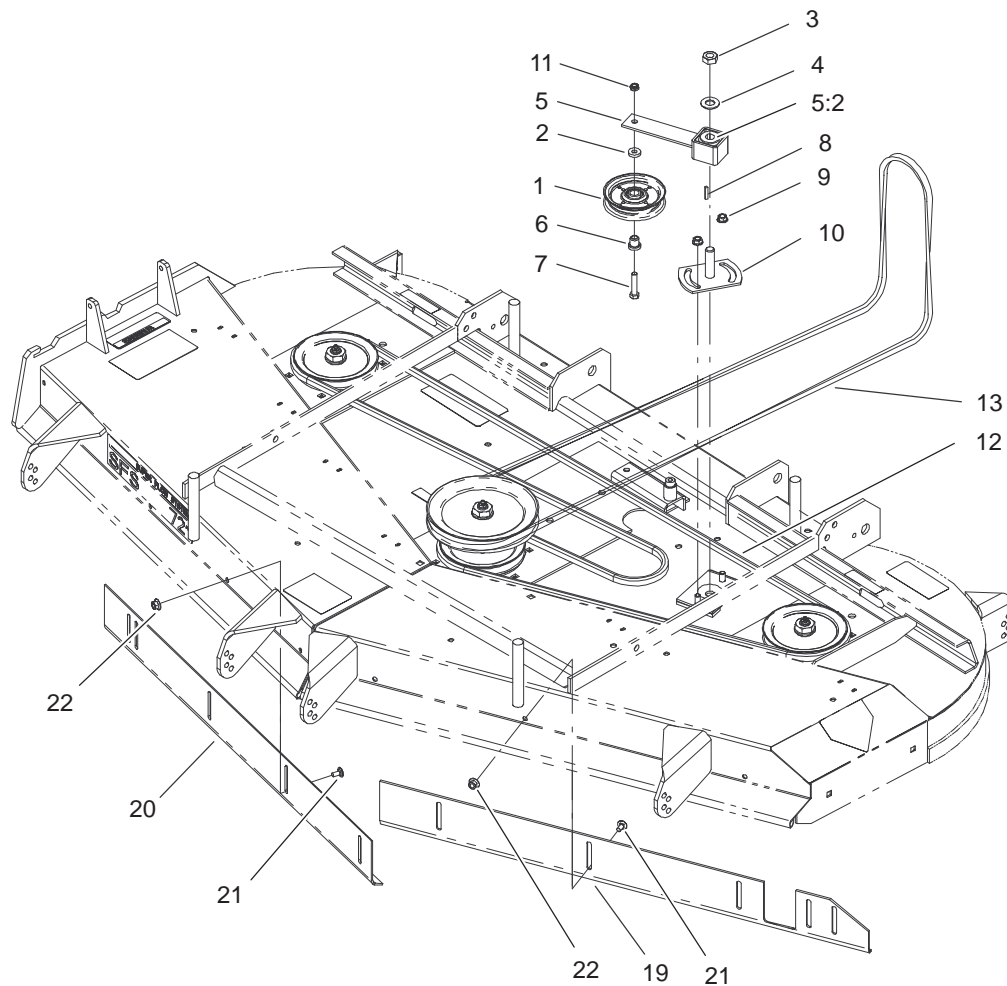


Sheet No.: 72

## Spindle and Pulley Assembly

Ref. No.	Part No.	Qty.	Description
1	105-1690	1	Spindle Housing ASM
1:1	302-2	1	Fitting-Grease
1:2	32146-20	1	Nut-Jam
1:3	92-5836	1	Washer-Axle
1:4	99-4626	1	Pulley Hub ASM
1:5	61-4160	1	Housing-Spindle
1:6	46-8530	1	Bearing ASM
1:7	253-139	2	Seal-Oil
1:8	27-0950	1	Spacer-Bearing, Spindle
1:9	105-1686	1	Spindle Shaft ASM
1:10	92-5816	1	Bolt-Blade
2	99-4642	2	Outer Spindle ASM
2:1	27-0920	1	Shaft-Spindle
2:2	32146-20	1	Nut-Jam
2:3	7-4150	1	Washer-Pinion
2:4	99-4615	1	Pulley & Hub
2:5	61-4160	1	Housing-Spindle
2:6	253-139	2	Seal-Oil
2:7	27-0950	1	Spacer-Bearing, Spindle
2:8	46-8530	1	Bearing ASM
2:9	302-2	1	Fitting-Grease
3	94-1861	3	Blade
4	1-513435	3	Washer-Spring
5	92-5816	2	Bolt-Blade

Ref. No.	Part No.	Qty.	Description
6	3231-22	18	Screw-CARR
7	32128-21	18	Nut-HF
8	3256-24	4	Washer-Flat
23	323-42	1	Screw-HH
24	1-653189	1	Plate-Guide, Belt
25	98-5975	2	Washer-Belleville
26	1-413099	1	Pulley-Idler
27	99-4659	1	Spacer-Bracket
28	3290-357	1	Nut-HHF
29	323-11	1	Screw-HH
30	1-653190	1	Spacer



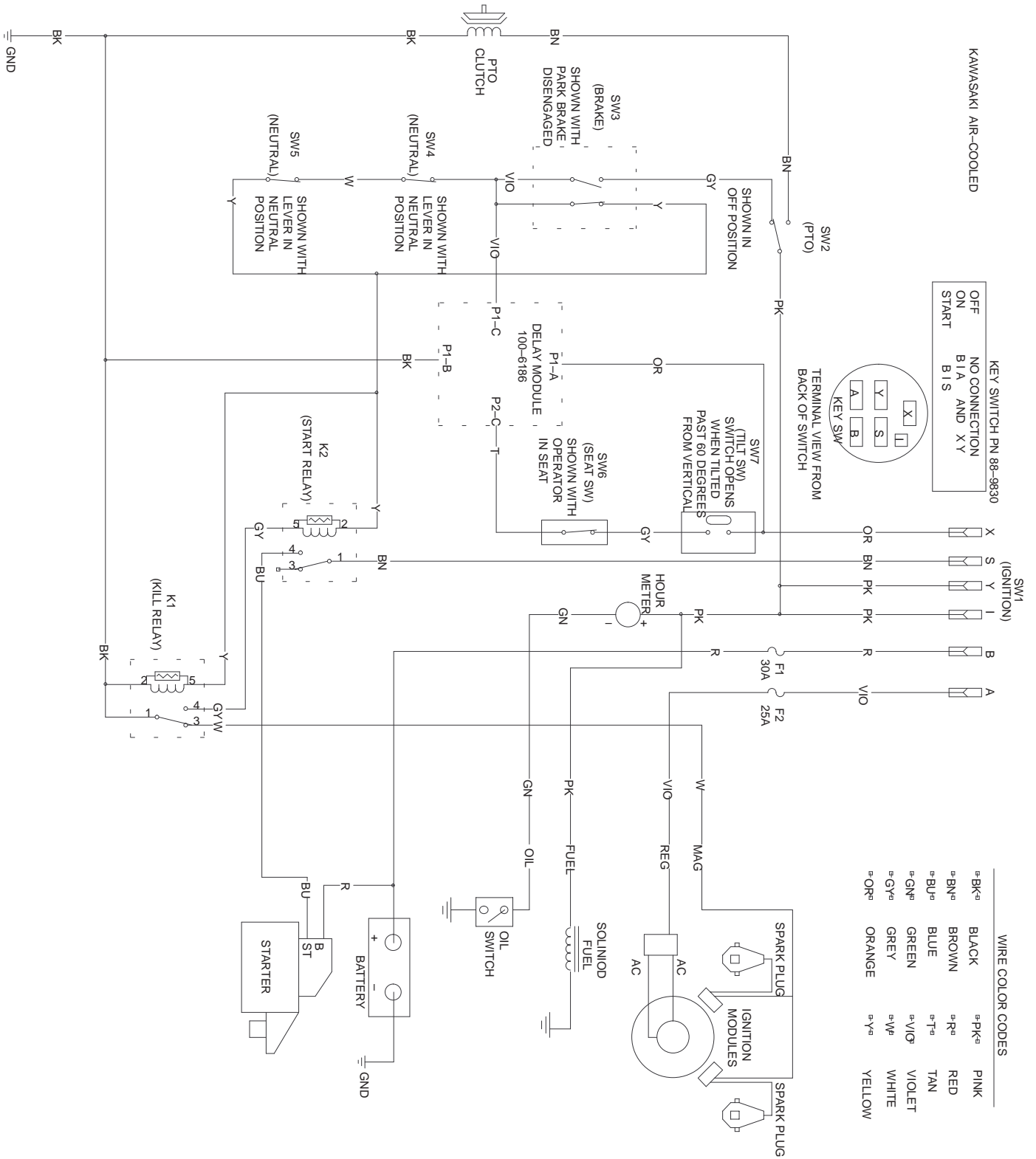
Sheet No.: 73

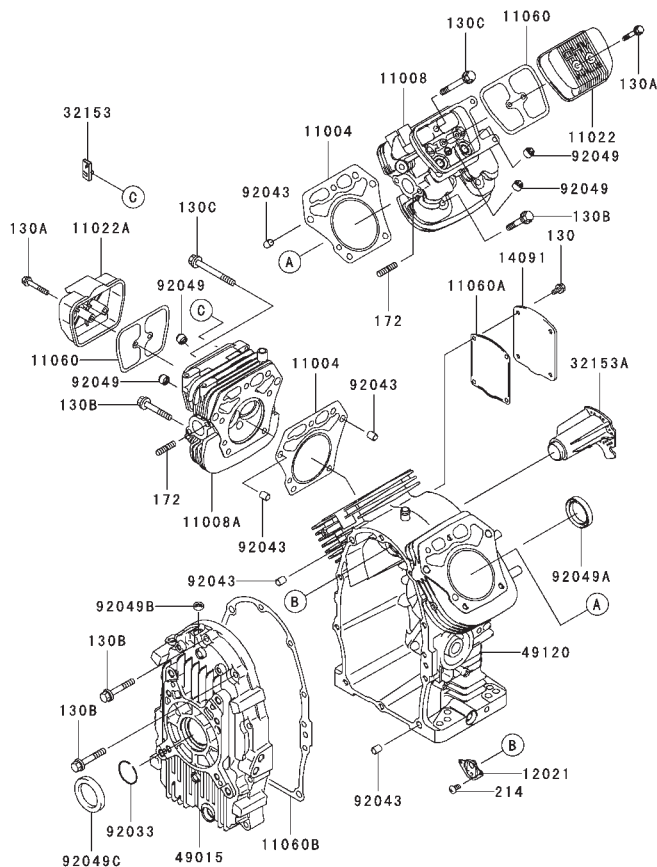
## Belt and Idler Arm Assembly

Ref. No.	Part No.	Qty.	Description
1	65-5940	1	Pulley-Idler
2	7-0081	1	Washer-Flat
3	3296-33	1	Nut-Lock, NI
4	3256-27	1	Washer-Flat
5	27-8580	1	Idler Socket & Bushing ASM
5:2	27-8490	1	Bushing-Rubber, Idler
6	65-5950	1	Bushing-Pulley
7	3211-8	1	Screw-HH
8	5-1077	1	Key-Square
9	3290-357	2	Nut-HHF
10	44-6300	1	Plate-Idler
11	3296-5	1	Nut-Lock, NI
12	57-0240	1	V-Belt
13	99-4627	1	V-Belt
19	99-5156-03	1	Baffle-Front, LH
20	93-3215-03	1	Baffle-Front, RH
21	3230-18	8	Screw-CARR
22	32128-20	8	Nut-HF

Ref. No.	Part No.	Qty.	Description

# Electrical Schematic



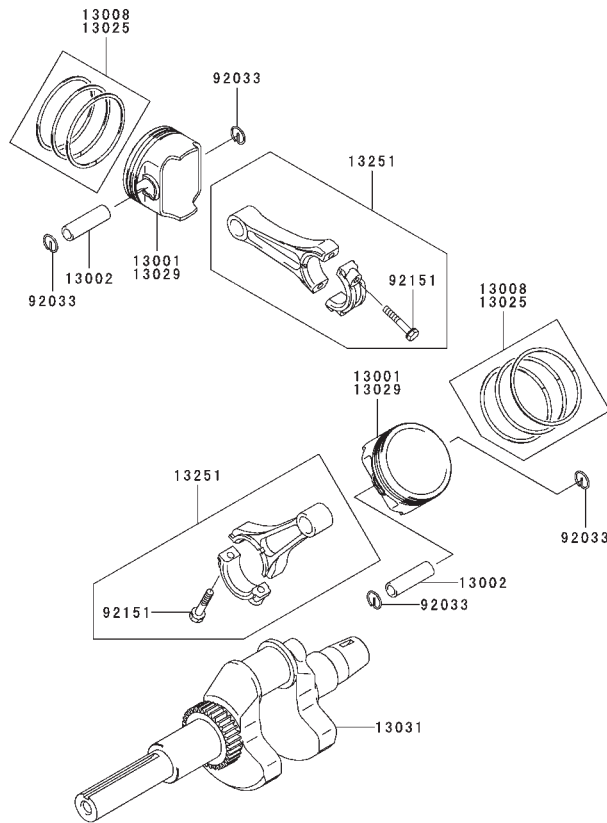


## Cylinder/Crankcase Assembly Kawasaki FH721D-AS05

Ref. No.	Part No.	Qty.	Description
11004	11004-7004	2	Gasket-Head
11008	11008-7004	1	Head-Comp
11008A	11008-7007	1	Cylinder #2
11022	11022-7002	1	Head-Comp
11022A	11022-7004	1	Cylinder #1
11060	11060-7013	2	Case-Rocker
11060A	11060-7014	1	Gasket-Rocker, Case
11060B	11060-7023	1	Gasket-Breather
12021	12021-7002	1	Gasket-Crankcase
14091	14091-7004	1	Reed Valve ASM
32153	32153-7003	1	Cover
32153A	32153-7004	1	Pipe
49015	49015-6234	1	Pipe
49120	49120-6135	1	Cover-Crankcase
92033	92033-7004	1	Crankcase-Comp
92043	92043-7001	6	Ring-Snap
92049	92049-7001	4	Pin
92049A	92049-7002	1	Seal-Oil
92049B	92049-7005	1	Seal-Oil
92049C	92049-7007	1	Seal-Oil
130	130B0612	4	Bolt-Flanged
130A	130B0640	4	Bolt-Flanged

Ref. No.	Part No.	Qty.	Description
130A	130B0640	4	Bolt-Flanged
130B	130T0850	18	Bolt-Flanged
130C	130T0875	2	Bolt-Flanged
172	172G0818	4	Bolt-Stud
214	214B0408	2	Screw-Pan

Obtain Parts From Kawasaki



## Piston/Crankshaft Assembly Kawasaki FH721D-AS05

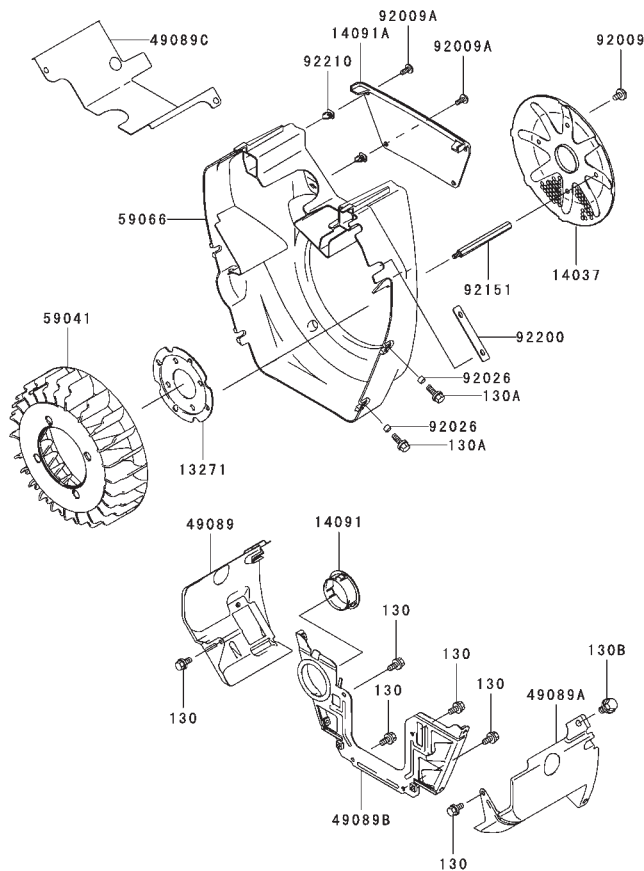
Ref. No.	Part No.	Qty.	Description	Ref. No.	Part No.	Qty.	Description
13001	13001-7007	2	Piston-Engine				
13002	13002-7001	2	Pin-Piston				
13008	13008-6058	2	Ring Set-Piston				
13025	13025-7002	AR	Ring Set-Piston L,0.50				
13029	13029-7003	AR	Piston-Engine L,0.50				
13031	13031-7007	1	Crankshaft-Comp				
13251	13251-7005	2	Connecting Rod ASM				
92033	92033-7005	4	Ring-Snap				
92151	92151-7017	4	Bolt				

**Obtain Parts From Kawasaki**







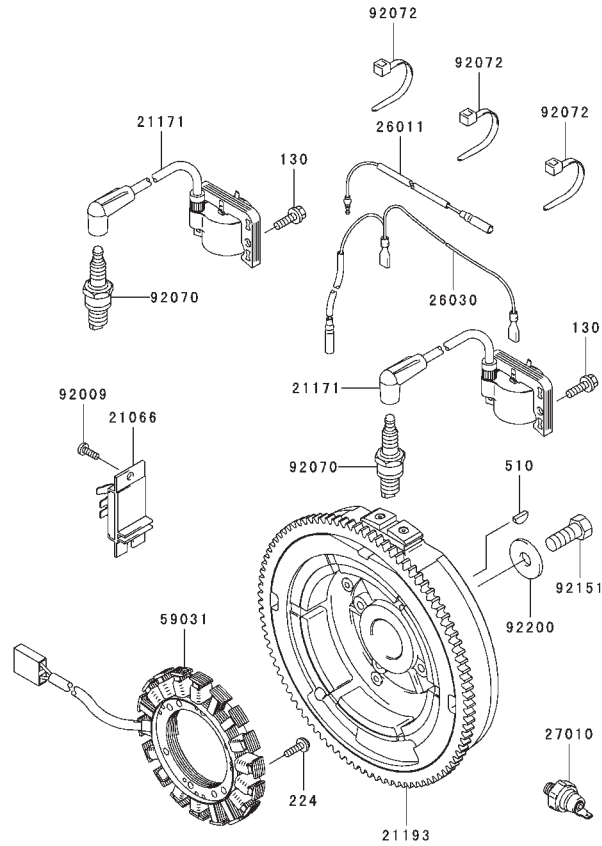


## Cooling Equipment Assembly Kawasaki FH721D-AS05

Ref. No.	Part No.	Qty.	Description
13271	13271-7015	1	Plate
14037	14037-7014	1	Screen
14091	14091-7002	1	Cover
14091A	14091-7005	1	Cover
49089	49089-7004	1	Shroud-Engine
49089A	49089-7005	1	Shroud-Engine
49089B	49089-7015	1	Shroud-Engine
49089C	49089-7019	1	Shroud-Engine
59041	59041-7004	1	Fan
59066	59066-7005	1	Housing-Fan
92009	92009-7008	4	Screw
92009	92009-7009	4	Screw
92026	92026-7001	4	Spacer
92151	92151-7018	4	Bolt
92200	92200-7011	1	Washer
92210	92210-7011	4	Nut
130	130B0612	2	Bolt-Flanged
130A	130B616	4	Bolt-Flanged
130B	130B0816	2	Bolt-Flanged

Ref. No.	Part No.	Qty.	Description

Obtain Parts From Kawasaki

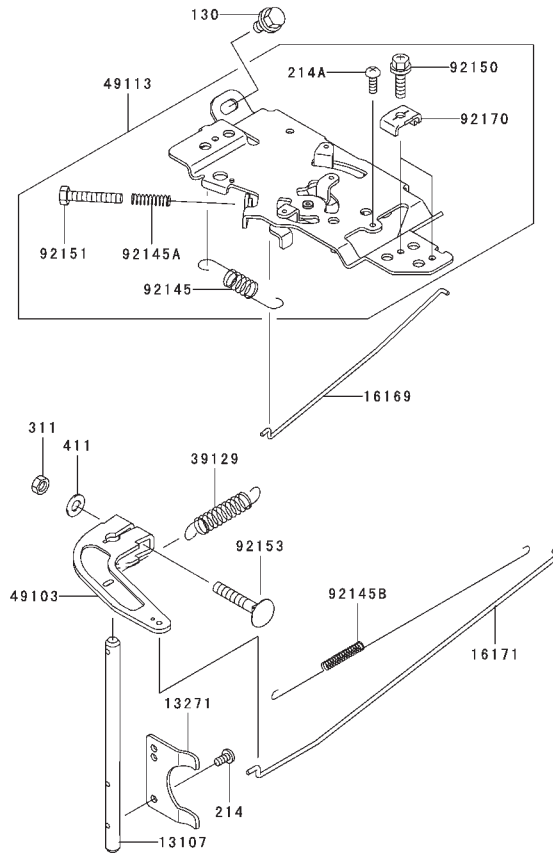


## Electric Equipment Assembly Kawasaki FH721D-AS05

Ref. No.	Part No.	Qty.	Description
21066	21066-7003	1	Regulator-Voltage
21171	21171-7001	2	Ignition Coil ASM
21193	21193-7014	1	Flywheel ASM
26011	26011-7008	1	Wire-Lead
26030	26030-7002	1	Harness
27010	27010-7001	1	Switch
59031	59031-7001	1	Coil-Charging
92009	92009-2308	1	Screw
92070	92070-7004	2	Plug-Spark
92072	92072-7003	3	Band
92151	92151-2097	1	Bolt
92200	92200-7002	1	Washer
130	130B0620	4	Bolt-Flanged
224	224B0520	4	Screw-Pan
510	510A5100	1	Key-Woodruff

Ref. No.	Part No.	Qty.	Description

**Obtain Parts From Kawasaki**

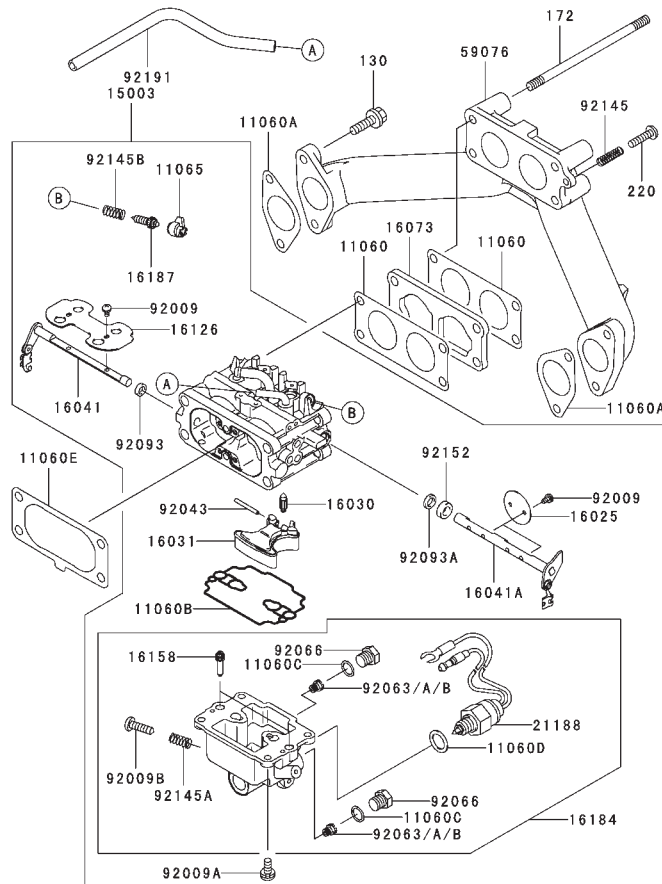


## Control Equipment Assembly Kawasaki FH721D-AS05

Ref. No.	Part No.	Qty.	Description
13107	13107-7011	1	Shaft
13271	13271-7018	1	Plate
16169	16169-7008	1	Link-Choke
16171	16171-7005	1	Link
39129	39129-7004	1	Spring-Governor
49103	49103-7004	1	Arm-Governor
49113	49113-7015	1	Panel-Comp-Control
92145	92145-7004	1	Spring
92145A	92145-7005	1	Spring
92145B	92145-7014	1	Spring
92150	92150-2182	2	Bolt
92151	92151-7014	1	Bolt
92153	92153-7005	1	Bolt
92170	92170-7001	2	Clamp
130	130B0612	2	Bolt-Flanged
214	214B0408	2	Screw-Pan
214A	214B0412	1	Screw-Pan
311	311B0600	1	Nut-Hex
411	411B0600	1	Washer

Ref. No.	Part No.	Qty.	Description

Obtain Parts From Kawasaki

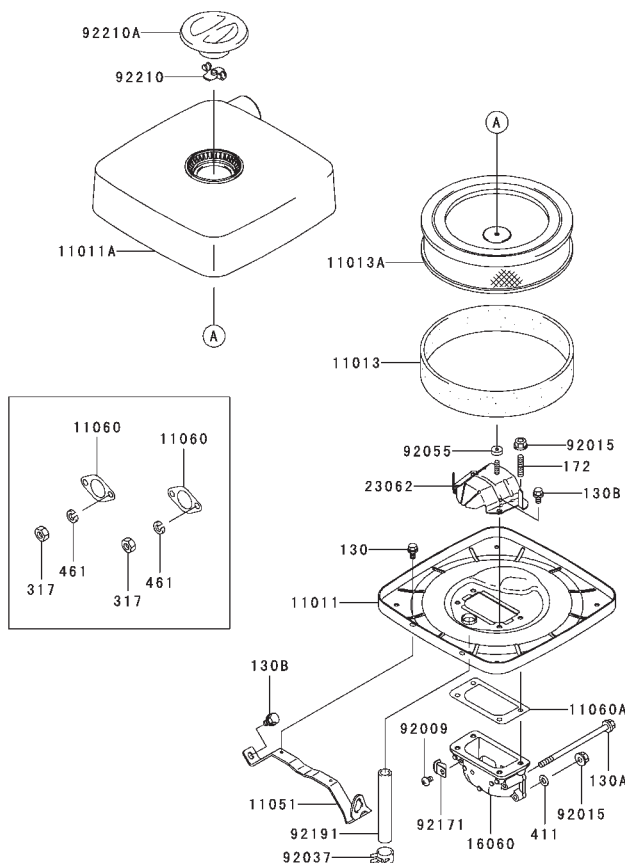


## Carburetor Assembly Kawasaki FH721D-AS05

Ref. No.	Part No.	Qty.	Description
11060	11060-7010	2	Gasket-Carburetor
11060A	11060-7011	2	Gasket-Manifold
11060B	11060-7018	1	Gasket-Float Chamber
11060C	11060-7019	2	Gasket-Main Plug
11060D	11060-7020	1	Gasket-Solenoid
11060E	11060-7025	1	Gasket-Air Filter
11065	11065-7004	2	Cap-Limiter
15003	15003-7042	1	Carburetor ASM
16025	16025-7002	2	Valve-Throttle
16030	16030-7002	1	Valve-Float
16031	16031-7001	1	Float
16041	16041-7011	1	Shaft-Carburetor
16041A	16041-7012	1	Shaft-Carburetor
16073	16073-7003	1	Insulator
16126	16126-7004	1	Valve-Choke
16158	16158-7003	2	Jet-Slow #56
16184	16184-7005	1	Float Chamber ASM
16187	16187-7003	2	Needle-Jet
21188	21188-7001	1	Solenoid
59076	59076-7003	1	Manifold-Intake
92009	92009-7003	6	Screw
92009A	92009-7005	4	Screw
92009B	92009-7006	1	Screw-Drain
92043	92043-7004	2	Pin-Float

Ref. No.	Part No.	Qty.	Description
92063	92063-7012	2	Jet-Main #108
92063A	92063-7013	2	Jet-Main #105
92063B	92063-7014	2	Jet-Main #102
92066	92066-7008	2	Plug-Main Jet
92093	92093-7001	1	Seal
92093A	92093-7002	1	Seal
92145	92145-7005	1	Spring
92145A	92145-7011	1	Spring
92145B	92145-7013	2	Spring
92152	92152-7002	1	Collar
92191	92191-7010	1	Tube
130	130B0620	4	Bolt-Flanged
172	172G06105	2	Bolt-Stud
220	220B0520	1	Screw-Pan

Obtain Parts From Kawasaki



## Air Filter/Muffler Assembly Kawasaki FH721D-AS05

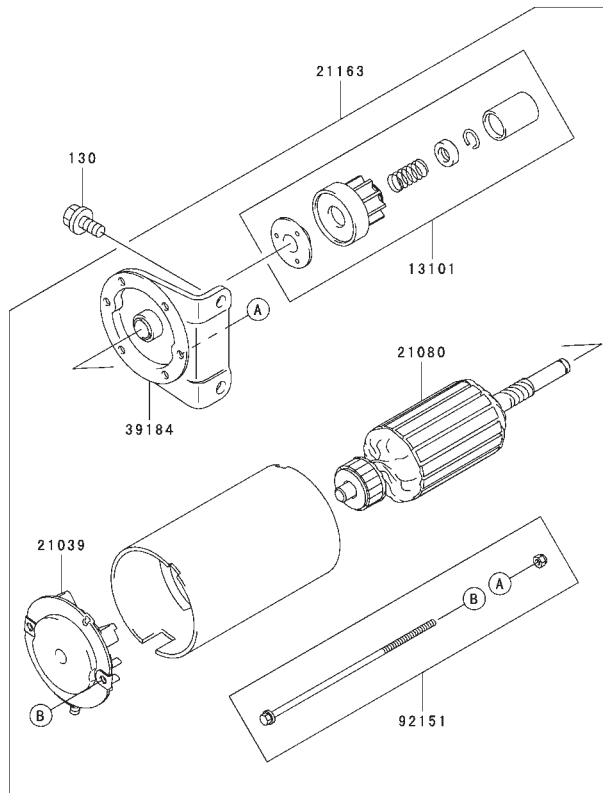
Ref. No.	Part No.	Qty.	Description
11011	11011-7004	1	Case-Air Filter
11011A	11011-7005	1	Case-Air Filter
11013	11013-7007	1	Element-Air Filter
11013A	11013-7011	1	Element-Air Filter
11051	11051-7007	1	Bracket
11060	11060-7016	2	Gasket-Muffler
11060A	11060-7022	1	Gasket-A/C Case
16060	16060-7002	1	Pipe-Intake
23062	23062-7006	1	Bracket-Comp
92009	92009-2166	1	Screw
92015	92015-1193	4	Nut
92037	92037-2079	1	Clamp
92055	92055-7005	1	O-Ring
92171	92171-7003	1	Clamp
92191	92191-7020	1	Tube
92210	92210-7004	1	Nut
92210A	92210-7010	1	Nut
130	130B0510	2	Bolt-Flanged
130A	130B0615	2	Bolt-Flanged
130B	130B0612	4	Bolt-Flanged
172	172G0612	2	Bolt-Stud
317	317R0800	4	Nut-Hex
411	411B0600	1	Washer
461	461F0800	4	Washer-Spring

Ref. No.	Part No.	Qty.	Description

Obtain Parts From Kawasaki





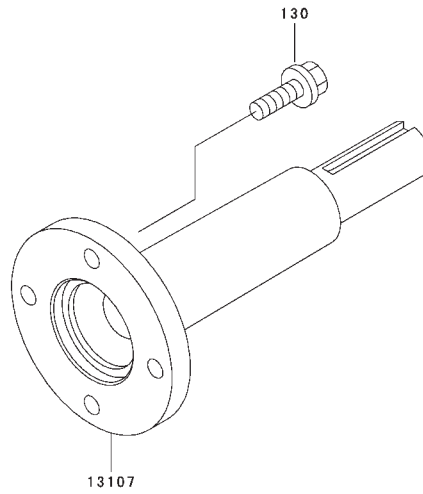


## Starter Assembly Kawasaki FH721D-AS05

Ref. No.	Part No.	Qty.	Description
13101	13101-7001	1	Gear ASM
21039	21039-7001	1	Brush
21080	21080-7001	1	Armature
211636	21163-7001	1	Starter-Electric
39184	39184-7001	1	Bracket ASM
92151	92151-7013	1	Bolt
130	130B0816	2	Bolt-Flanged

Ref. No.	Part No.	Qty.	Description

Obtain Parts From Kawasaki

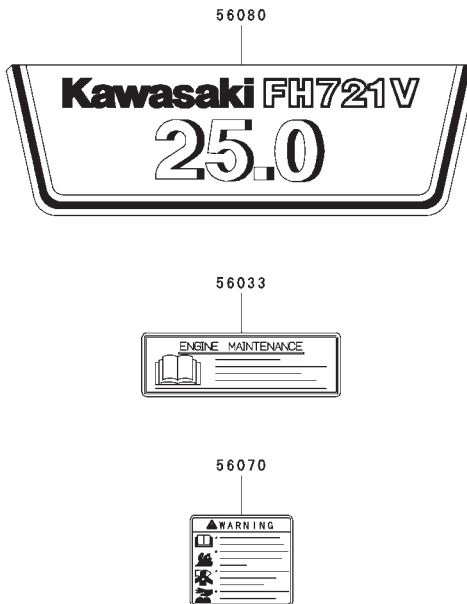


## P.T.O. Equipment Assembly Kawasaki FH721D-AS05

Ref. No.	Part No.	Qty.	Description
13107	13107-7014	1	Shaft
130	130B0825	4	Bolt-Flanged

Ref. No.	Part No.	Qty.	Description

**Obtain Parts From Kawasaki**



## Label Assembly Kawasaki FH721D-AS05

Ref. No.	Part No.	Qty.	Description
56033	56033-7001	1	Label-Manual
56070	56070-7001	1	Label-Warning
56080	56080-7013	1	Label-Brand

Ref. No.	Part No.	Qty.	Description

Obtain Parts From Kawasaki

