



Four Wheel Drive Kit

Groundsmaster 580-D

Model No. 30598-22000001 and Up

Parts Catalog

Ordering Replacement Parts

To order replacement parts, please supply: the part number, the quantity, and the description of each part desired.

Understanding Reference Numbers

Each identified part in an illustration has a reference number. The reference number for a part also appears in the parts list, along with other information about the part.

This catalog uses two special reference number formats, one to indicate parts in a service assembly and another to indicate the quantity of a given part in an illustration.

Service Assembly Reference Numbers

Parts in service assemblies have reference numbers in the form **a:b**. The **a** represents the reference number of the entire service assembly and the **b** represents a sequential number unique to each part within the service assembly.

For example, a wheel assembly might be identified by reference number **6**, the tire by **6:1**, the valve by **6:2**, and the wheel by **6:3**. When you order the assembly identified by reference number **6**, you receive all parts identified by reference numbers **6:1**, **6:2**, and **6:3**. However, you may also order any part individually.

Reference numbers of this type appear in illustrations and in part lists.

Reference Numbers Indicating Quantity

In an illustration, if a reference number indicates more than one part, the reference number has the form **nX y**. The **n** represents the quantity of the part, the **X** is the multiplication symbol, and the **y** represents the reference number.

For example, in an illustration, the reference number **2X 37** means that two of the parts identified by reference number **37** are indicated.

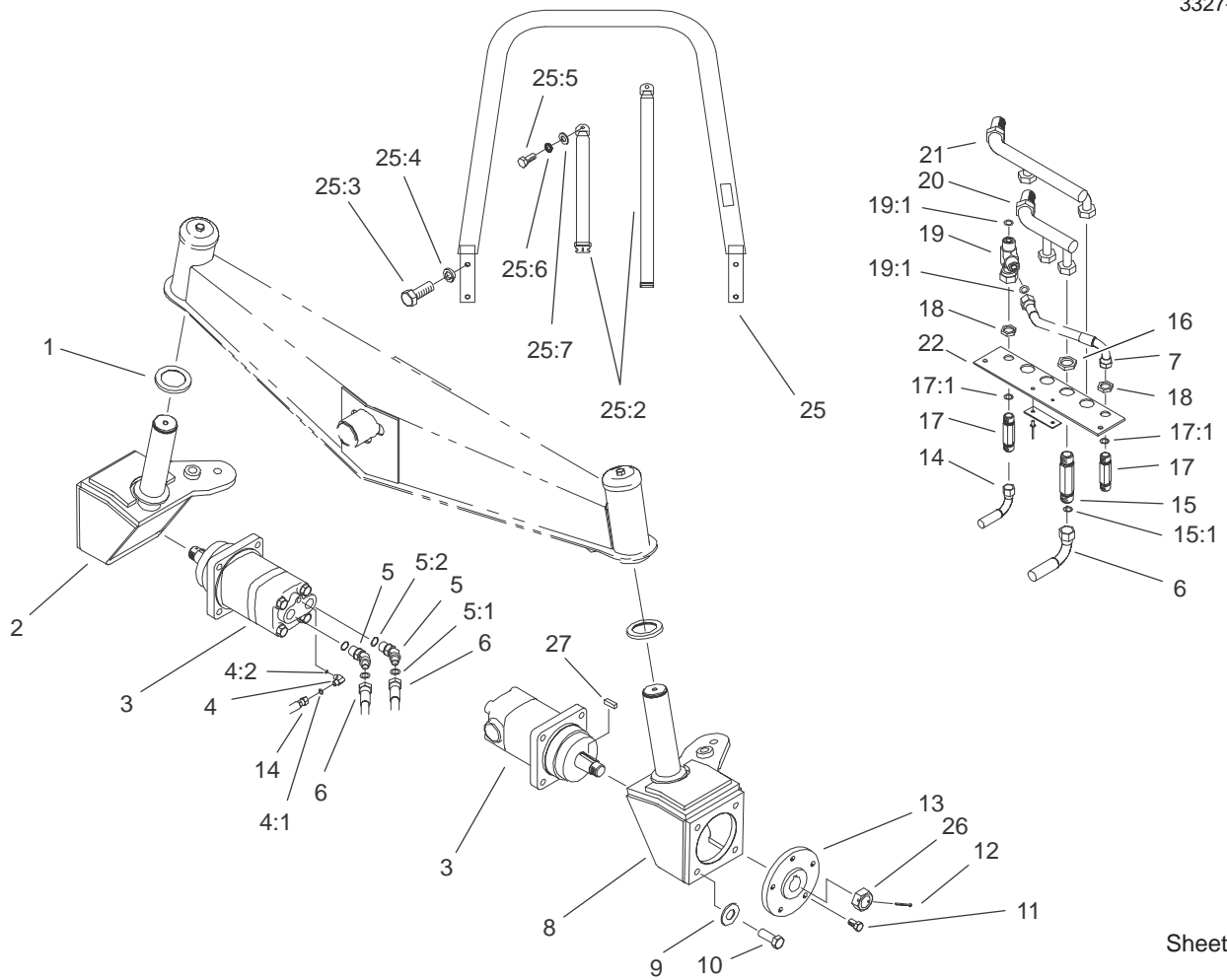
Contents

Description	Page	Description	Page
Axle Assembly	3	Electrical Schematic	6
Hose Assembly	4	Hydraulic Schematic	7
4WD Control Block Assembly No. 100-3921 ..	5		

Part Description Abbreviations

Part descriptions in this catalog may include the following abbreviations.

Abbreviation	Meaning	Abbreviation	Meaning
AR	as required	HYD	hydraulic
ASM	assembly	INC	incorporated
CARR	carriage	LH	left hand
DEG	degrees	NI	nylon insert
FH	flat head	PPH	Phillips pan head
GA	gauge	PTH	Phillips truss head
HF	hex flange	PTO	power take off
HH	hex head	RH	right hand
HHF	hex head flange	SFH	slotted fillister head
HLH	hex lag head	SHH	slotted hex head
HJ	hex jam	SQH	square head
HOC	height-of-cut	SHWH	slotted hex washer head
HS	hex socket	SPH	slotted pan head
HSBH	hex socket button head	SRH	slotted round head
HSFH	hex socket flat head	STD	standard
HSH	hex socket head	TAP	self tapping
HWH	hex washer head	TTH	Torx truss head
HWHTF	hex washer head thread forming	WH	wing head



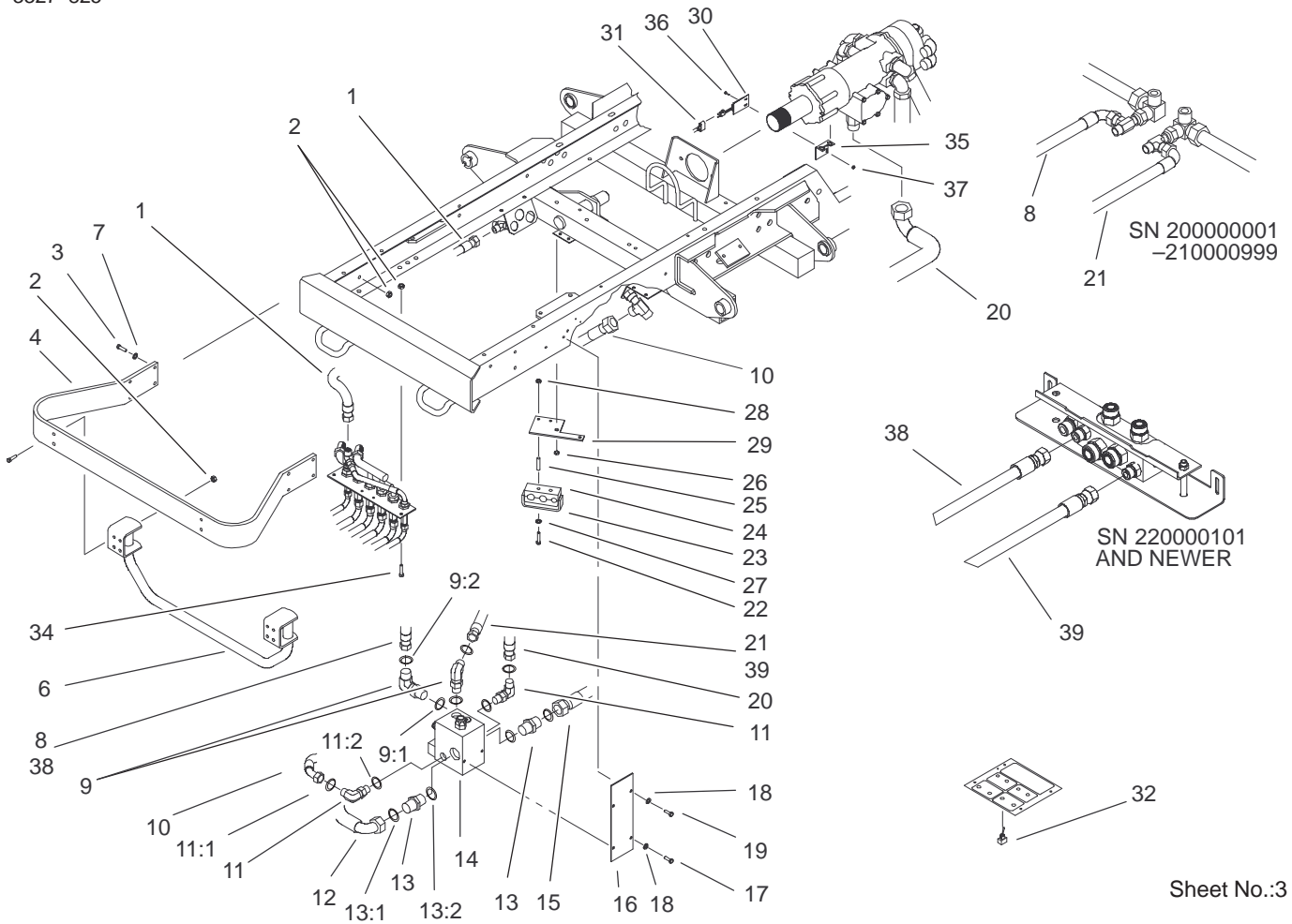
Sheet No.:2

Axle Assembly

Ref. No.	Part No.	Qty.	Description
1	100-2508	2	Washer-Thrust
2	99-8899-01	1	LH Motor Housing ASM
3	100-3908	2	Motor-Hydraulic
*3:1	100-6167	1	Seal Kit
4	340-97	2	Fitting-HYD, 90°
4:1	237-22	1	O-Ring
4:2	237-78	1	O-Ring
5	340-14	4	Fitting-HYD, 45°
5:1	237-65	1	O-Ring
5:2	237-80	1	O-Ring
6	100-3910	4	Hose
7	100-3911	1	Hose
8	100-1531-01	1	RH Motor Housing ASM
9	3253-7	8	Washer-Lock
10	325-5	8	Screw-HH
11	83-2720	10	Lug-Bolt
12	3272-13	2	Pin-Cotter
13	100-8008-03	2	Hub-Wheel
14	100-3912	2	Hose
15	100-8001	4	Fitting-Bulkhead
15:1	237-65	2	O-Ring
16	340-74	4	Locknut-Bulkhead
17	100-8000	2	Fitting-Bulkhead
17:1	237-22	2	O-Ring

Ref. No.	Part No.	Qty.	Description
18	340-70	2	Nut-Lock
19	340-115	1	Fitting-Tee
19:1	237-22	2	O-Ring
20	100-2543	1	Inner Tube ASM
21	100-2544	1	Outer Tube ASM
22	100-3920-01	1	Bracket-Bulkhead
25	104-1265	1	Rops
25:2	104-1276	1	Belt-Seat
25:3	328-24	4	Screw-HH
25:4	3253-9	4	Washer-Lock/Sp
25:5	3212-4	2	Screw-HH
25:6	3253-6	2	Washer-Lock
25:7	3256-25	2	Washer-Flat
26	11-5800	2	Nut-Slotted
27	11-5790	2	Key
*28	100-8031	2	Decal-4wd

* Not illustrated



Sheet No.:3

Hose Assembly

Ref. No.	Part No.	Qty.	Description
1	100-3915	1	Hose
2	3296-39	14	Nut-Lock, NI
3	323-7	12	Screw-HH
4	100-4166-03	1	Bracket-Bumper
6	92-6050-03	1	Guard ASM
7	3256-24	8	Washer-Flat
8	100-3916	1	HYD Hose ASM
9	340-98	2	Fitting-HYD, 90°
9:1	237-79	1	O-Ring
9:2	237-30	1	O-Ring
10	76-9570	1	Hose ASM
11	340-77	2	Fitting-HYD, 90°
11:1	237-22	1	O-Ring
11:2	237-42	1	O-Ring
12	100-3914	1	Hose
13	340-9	2	Fitting-Straight
13:1	237-58	1	O-Ring
13:2	237-81	1	O-Ring
14	100-3921	1	Block-Control, 4wd
15	100-3913	1	Hose
16	100-2546-01	1	Bracket-Block
17	322-2	2	Screw-HH
18	3253-4	4	Washer-Lock
19	32104-32	2	Screw-HH
20	100-3919	1	Hose
21	100-3917	1	Hose

Ref. No.	Part No.	Qty.	Description
22	321-15	2	Screw-HH
23	94-6772-01	1	Retainer
24	74-2710	2	Clamp-Hose
25	74-2730	2	Tube
26	32128-21	2	Nut-HF
27	3256-22	2	Washer-Flat
28	32128-32	2	Nut-HHF
29	100-2545-01	1	Bracket-Hose
30	100-6175	1	Switch
31	100-8044	1	Harness-Wire
32	100-4198	1	Switch-Toggle
*33	3290-379	8	Tie-Cable
34	323-6	2	Screw-HH
35	100-6173-03	1	Bracket-Switch
36	32144-1	2	Screw-Taptite
37	32127-11	2	Nut-Lock
38	106-0197	1	HYD Hose ASM
39	106-0198	1	HYD Hose ASM

* Not illustrated

Hydraulic Schematic

