



Stump Grinder Dingo[®] Attachment

Model No. 22429—220000201 and Up

Parts Catalog

Ordering Replacement Parts

To order replacement parts, please supply: the part number, the quantity, and the description of each part desired.

Understanding Reference Numbers

Each identified part in an illustration has a reference number. The reference number for a part also appears in the parts list, along with other information about the part.

This catalog uses two special reference number formats, one to indicate parts in a service assembly and another to indicate the quantity of a given part in an illustration.

Service Assembly Reference Numbers

Parts in service assemblies have reference numbers in the form **a:b**. The **a** represents the reference number of the entire service assembly and the **b** represents a sequential number unique to each part within the service assembly.

For example, a wheel assembly might be identified by reference number **6**, the tire by **6:1**, the valve by **6:2**, and the wheel by **6:3**. When you order the assembly identified by reference number **6**, you receive all parts identified by reference numbers **6:1**, **6:2**, and **6:3**. However, you may also order any part individually.

Reference numbers of this type appear in illustrations and in part lists.

Reference Numbers Indicating Quantity

In an illustration, if a reference number indicates more than one part, the reference number has the form **nX y**. The **n** represents the quantity of the part, the **X** is the multiplication symbol, and the **y** represents the reference number.

For example, in an illustration, the reference number **2X 37** means that two of the parts identified by reference number **37** are indicated.

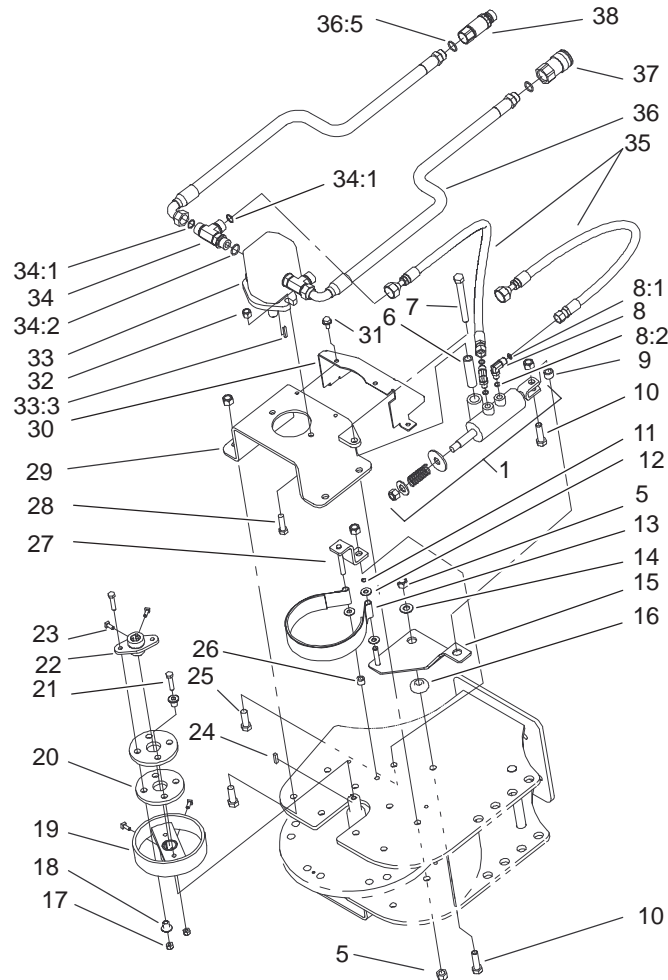
Contents

Description	Page	Description	Page
Frame and Tooth Assembly	3	Hydraulic Cylinder Assembly No. 104-6094 ...	5
Hydraulic Motor and Brake Assembly	4	Shield and Guard Assembly	6

Part Description Abbreviations

Part descriptions in this catalog may include the following abbreviations.

Abbreviation	Meaning	Abbreviation	Meaning
AR	as required	HYD	hydraulic
ASM	assembly	INC	incorporated
CARR	carriage	LH	left hand
DEG	degrees	NI	nylon insert
FH	flat head	PPH	Phillips pan head
GA	gauge	PTH	Phillips truss head
HF	hex flange	PTO	power take off
HH	hex head	RH	right hand
HHF	hex head flange	SFH	slotted fillister head
HLH	hex lag head	SHH	slotted hex head
HJ	hex jam	SQH	square head
HOC	height-of-cut	SHWH	slotted hex washer head
HS	hex socket	SPH	slotted pan head
HSBH	hex socket button head	SRH	slotted round head
HSFH	hex socket flat head	STD	standard
HSH	hex socket head	TAP	self tapping
HWH	hex washer head	TTH	Torx truss head
HWHTF	hex washer head thread forming	WH	wing head



Sheet No.: 3

Hydraulic Motor and Brake Assembly

Ref. No.	Part No.	Qty.	Description
1	104-6094	1	Cylinder ASM
5	3296-23	7	Nut-Lock, NI
6	104-5801	1	Spacer-Cylinder
7	325-19	1	Screw-HH
8	340-97	2	Fitting-HYD, 90°
8:1	237-22	1	O-Ring
8:2	237-78	1	O-Ring
9	104-5825	1	Spacer-Clevis
10	325-7	2	Screw-HH
11	32120-46	1	Ring-Retaining
12	3256-3	3	Washer-Flat
13	104-2038	1	Brake Band ASM
14	3256-26	1	Washer-Flat
15	104-2042-03	1	Brake Bracket ASM
16	104-1991	1	Spacer-Brake
17	3296-29	4	Nut-Lock, NI
18	71-4411	4	Spacer
19	104-2037	1	Drum-Brake
20	44-2230	2	Coupling-Rubber
21	322-7	4	Screw-HH
22	104-5830	1	Hub/Spacer ASM
23	3241-5	4	Screw-Set
24	10-7070	1	Key-Square
25	325-6	4	Screw-HH
26	52-2480	1	Spacer-Wheel
27	104-5800-03	1	Brake Rod ASM

Ref. No.	Part No.	Qty.	Description
28	324-6	2	Screw-HH
29	104-5806-03	1	Motor Mount ASM
30	104-5836-03	1	Cover-Brake
31	32144-14	4	Screw-HWH
32	3296-48	2	Nut-Lock NI
33	104-2010	1	Motor-HYD
*33:1	100-4629	1	Seal Kit
*33:2	104-5838	1	Shaft-Motor
33:3	104-5839	1	Key-Square
34	340-22	2	Adapter
34:1	237-65	2	O-Ring
34:2	237-80	1	O-Ring
35	104-5835	2	Hydraulic Hose ASM
36	104-2034	2	Hose-Hydraulic
36:5	237-80	1	O-Ring
37	104-6134	1	Coupler-Face, Flush
*37:1	100-6119	1	Kit-Seal
38	100-4701	1	Nipple-Connect, Pressure Seal Kit
*38:1	100-6120	1	Seal Kit

* Not illustrated

