



Count on it.

Parts Catalog

Greensmaster® 1600 Mower

Model No. 04060—Serial No. 311000001 and Up



Ordering Replacement Parts

To order replacement parts, please supply the part number, the quantity, and the description of each part desired.

Understanding Reference Numbers

Each identified part in an illustration has a reference number. The reference number for a part also appears in the parts list, along with other information about the part.

This catalog uses two special reference number formats, one to indicate parts in a service assembly and another to indicate the quantity of a given part in an illustration.

Service Assembly Reference Numbers

Parts in service assemblies have reference numbers in the form a:b. The a represents the reference number of the entire service assembly and the b represents a sequential number unique to each part within the service assembly.

For example, a wheel assembly might be identified by reference number 6, the tire by 6:1, the valve by 6:2, and the wheel by 6:3. When you order the assembly identified by reference number 6, you receive all parts identified by reference numbers 6:1, 6:2, and 6:3. However, you may also order any part individually. Reference numbers of this type appear in illustration and in parts lists.

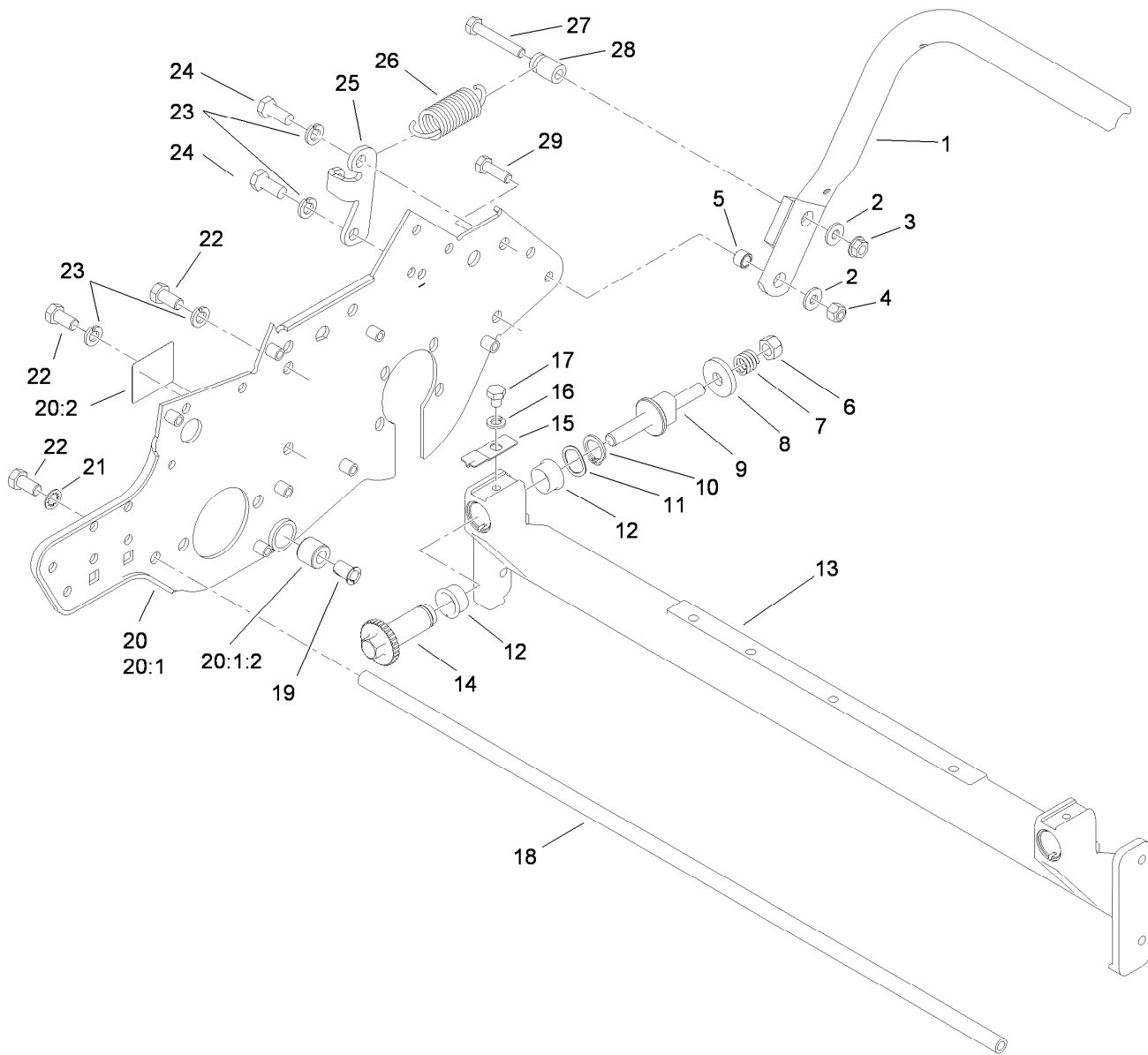
Reference Numbers Indicating Quantity

In an illustration, if a reference number indicates more than one part, the reference number has the form nX y. The n represents the quantity of the part, the X is the multiplication symbol, and the y represents the reference number.

For example, in an illustration, the reference number 2X 37 means that two of the parts identified by reference number 37 are indicated.

Contents

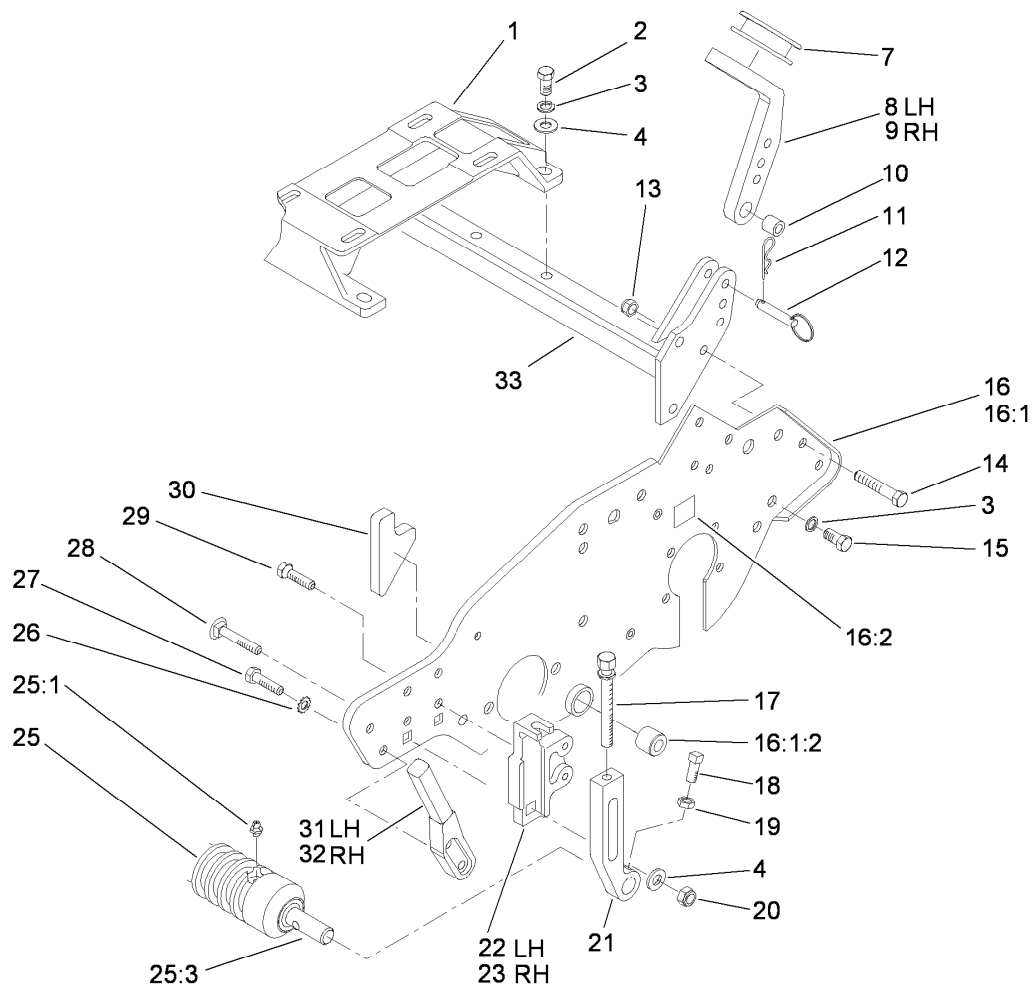
Frame Assembly	4
Engine Mount and Frame Assembly	5
Reel Drive Assembly	6
Reel Assembly	8
Drum Drive Assembly	9
Drum and Basket Assembly	10
Differential Assembly No. 93-9041	11
Inner Countershaft Assembly	12
Outer Crankshaft Assembly	13
Engine Assembly	14
Bellcrank Assembly	15
Handle Assembly	16
Cylinder and Crankcase Assembly	18
Piston and Crankshaft Assembly	19
Valve and Camshaft Assembly	20
Lubrication Equipment Assembly	21
Cooling Equipment Assembly	22
Electric Equipment Assembly	23
Control Equipment Assembly	24
Carburetor Assembly	25
Air Filter and Muffler Assembly	26
Fuel Tank and Valve Assembly	27
Starter Assembly	28
Label Set	29
Attachments and Accessories	30



Frame Assembly

Ref.	Part Number	Qty.	Description	Ref.	Part Number	Qty.	Description
1	93-9019-03	1	Kickstand ASM	18	94-5867	1	Rod-Frame
2	3256-2	3	Washer-Flat	19	52-2890	2	Bushing-Nylon
3	32128-25	1	Nut-HF	20	94-9004	1	RH Side Plate ASM
4	3296-29	2	Nut-Lock, NI	20:1		1	RH Side Plate/Bushing ASM
5	65-7910	2	Spacer				●
6	33025-00	2	Nut-Lock, NI	20:1:2	63-9510	1	Bushing
7	99-3755	2	Spring-Compression	20:2	93-9389	2	Decal-Warning, Belt (Japan)
8	99-2098	2	Washer	20:2	93-9356	2	Decal-Warning, Belt
9	99-2096	2	Screw-Adjuster, Bedbar	21	3254-6	2	Washer-Lock, Internal
10	32120-93	2	Ring-Retaining	22	323-4	6	Screw-HH
11	106-5335	2	Washer-Wave	23	3253-21	4	Washer-Lock
12	106-5344	4	Bushing-Flange, Keyed	24	323-5	2	Screw-HH
13	108-8649-01	1	Crossmember-Front	25	65-7890	1	Bracket
14	106-5363	2	Shaft-Adjuster	26	65-7880	1	Spring-Extension
15	99-2097	2	Detent	27	322-10	1	Screw-HH
16	3253-4	2	Washer-Lock	28	65-7900	1	Retainer-Spring
17	322-26	2	Screw-HH	29	322-5	2	Screw-HH

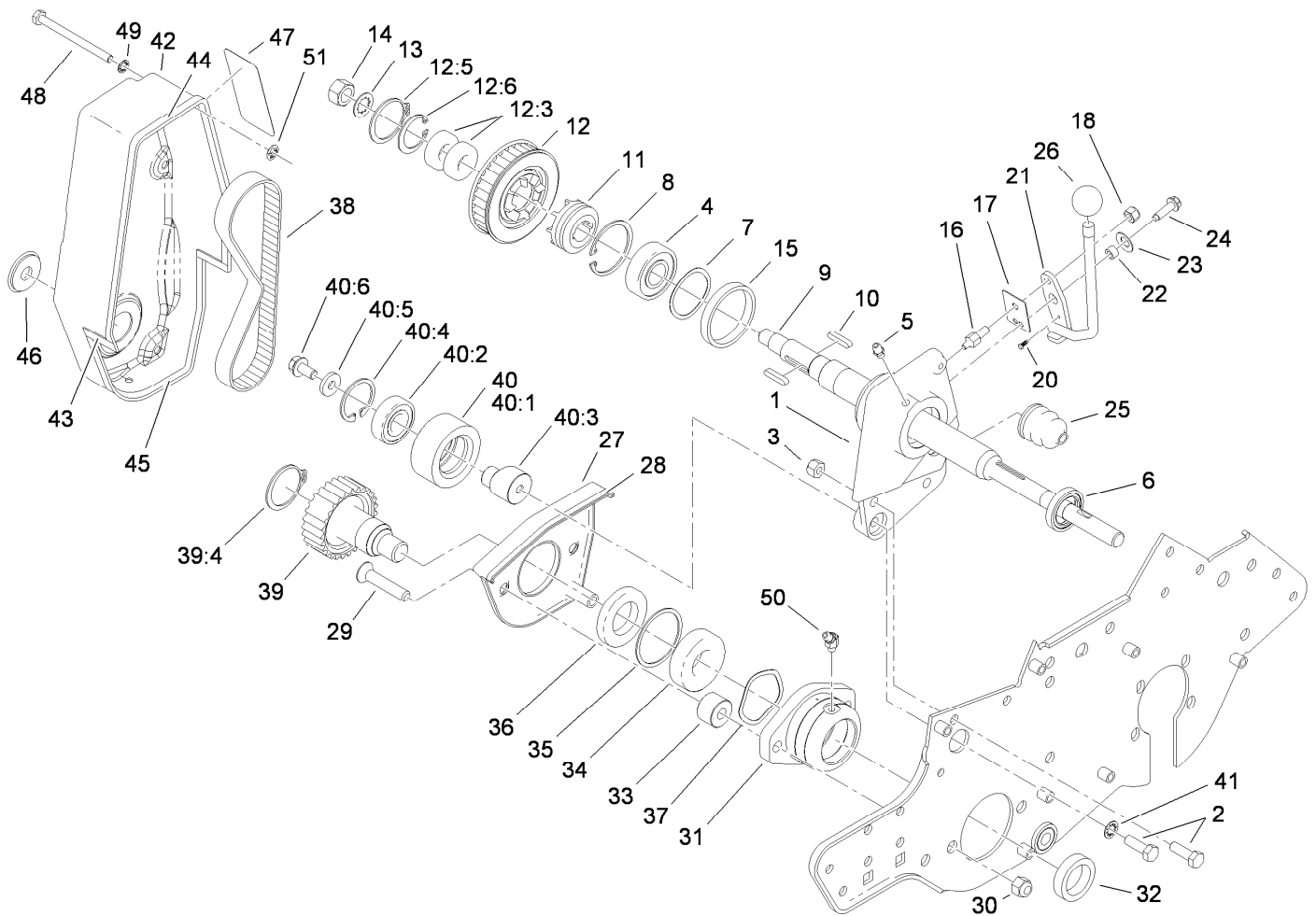
● Not serviced separately



Engine Mount and Frame Assembly

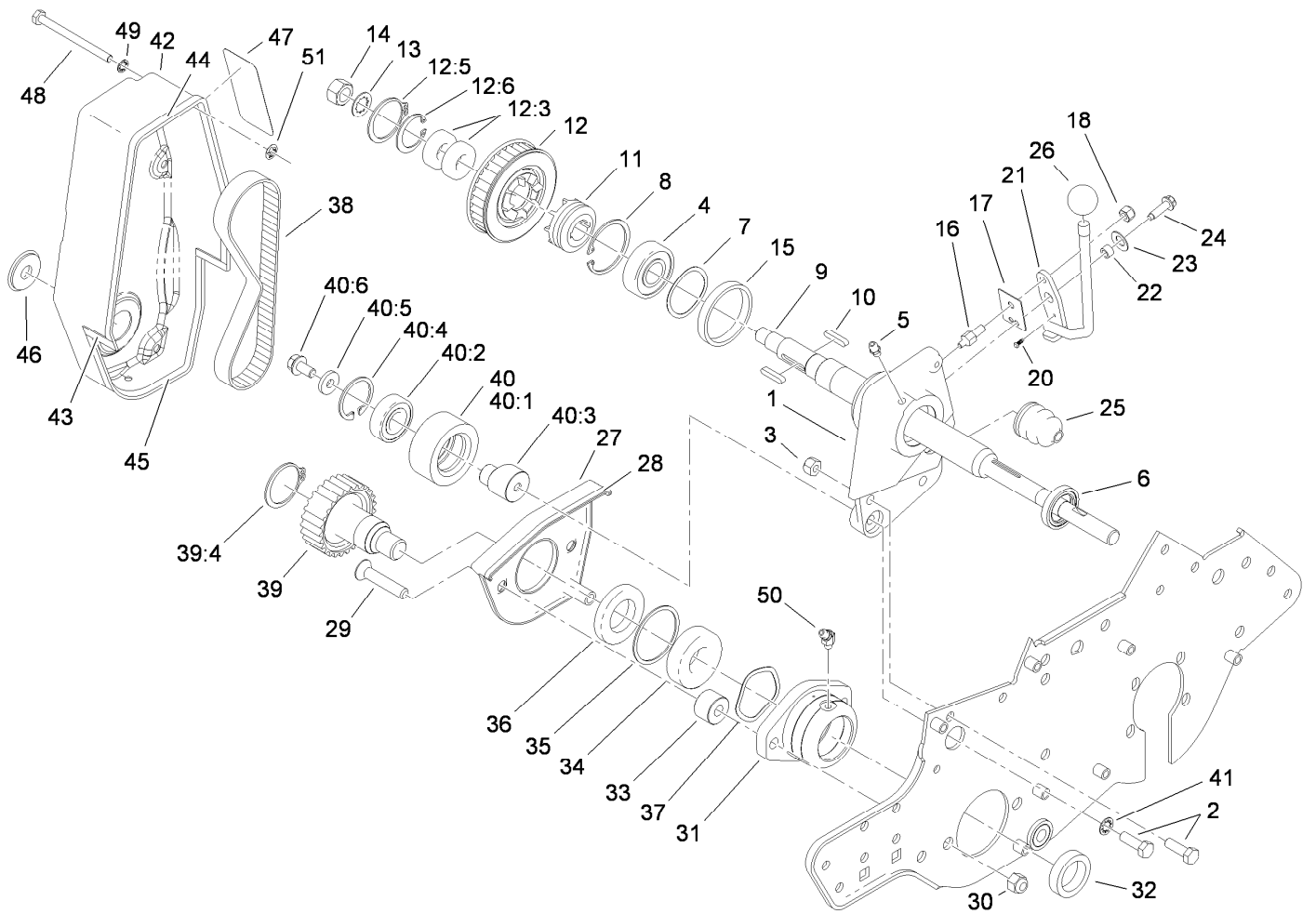
Ref.	Part Number	Qty.	Description	Ref.	Part Number	Qty.	Description
1	88-7670	1	Mount-Engine	17	93-6051	2	Screw-HOC
2	3234-1	4	Screw-HHF	18	3242-4	2	Screw-Set, SQH
3	3253-21	4	Washer-Lock	19	3218-2	2	Nut-Hex Jam
4	3256-24	2	Washer-Flat	20	32128-21	2	Nut-HF Lock
7	65-7510	2	Grommet-Handle	21	93-6090	2	Arm-HOC
8	93-6038	1	Arm-Support, Handle (LH)	21	99-4286	2	Arm-HOC, Extended
9	93-6037	1	Arm-Support, Handle (RH)	22	93-6048	1	Bracket-HOC, RH
10	93-6024	2	Bushing-Support, Handle	23	93-6049	1	Bracket-HOC, LH
11	3290-467	2	Pin-Hair	25	93-9039	1	Weihle Roller ASM
12	93-6029	2	Pin-Clevis, Ring	25:1	302-5	2	Fitting-Grease
13	3296-29	2	Nut-Lock, NI	25:3	52-3180	2	Bearing-Roller, Front
14	322-9	2	Screw-HH	26	3255-8	4	Washer-Lock
15	323-4	2	Screw-HH	27	322-2	4	Screw-HH
16	94-9005	1	LH Side Plate ASM	28	3231-5	2	Screw-CARR
16:1		1	LH Side Plate/Bushing ASM	29	92-8914	4	Bolt-Face, Tapered
16:1:2	63-9510	1	Bushing	30	93-6064	1	Seal-Catcher, Grass
16:2	93-9356	1	Decal-Warning, Belt	31	93-9018	1	Rod-Basket, LH
16:2	93-9389	1	Decal-Warning, Belt (Japan)	32	93-9017	1	Rod-Basket, RH
				33	93-9026-01	1	Frame-Rear

● Not serviced separately



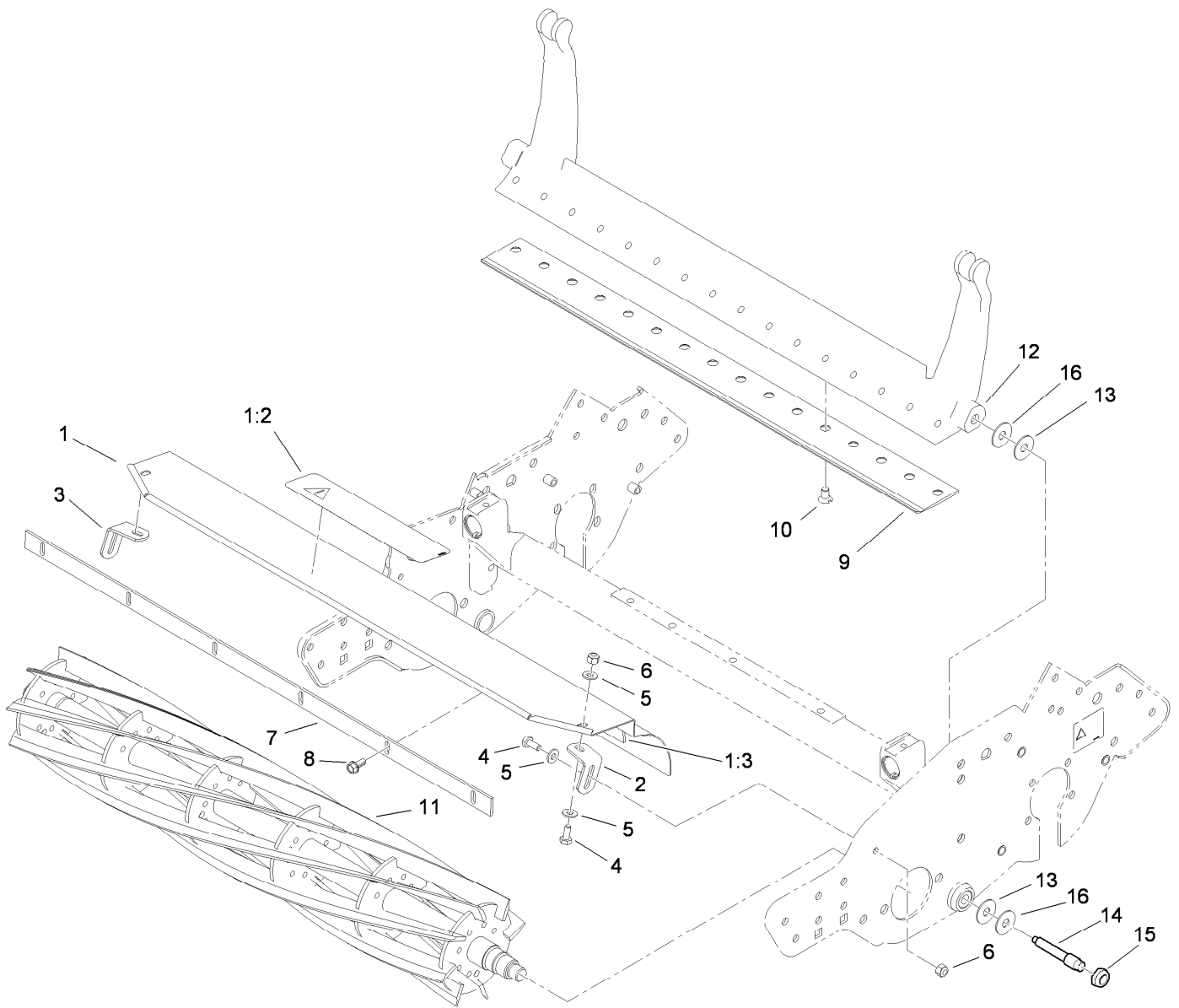
Reel Drive Assembly

Ref.	Part Number	Qty.	Description	Ref.	Part Number	Qty.	Description
1	92-8013	1	Housing-Clutch	27	65-7190-01	1	Cover-Arm
2	322-5	3	Screw-HH	28	65-7131	1	Seal-Cover, Strip
3	3296-29	2	Nut-Lock, NI	29	3289-23	2	Capscrew
4	251-318	1	Bearing-Ball	30	3296-39	2	Nut-Lock, NI
5	302-5	1	Fitting-Grease	31	65-8640	1	Housing-Bearing
6	253-118	1	Seal-Oil	32	253-96	1	Seal-Oil
7	88-7720	1	Spring-Wave	33	65-8290	2	Standoff-Cover
8	32151-75	1	Ring-Retaining	34	251-342	1	Bearing-Ball
9	94-5872	1	Shaft-Power	35	32151-92	1	Ring-Retaining
10	88-7150	2	Key-Square	36	253-163	1	Seal
11	65-6940	1	Clutch-Slider, Jaw	37	3290-485	1	Washer-Wave
12	88-7830	1	Clutch And Pulley ASM	38	65-6200	1	Belt
12:3	251-336	2	Bearing-Ball	39	88-7840	1	Pulley And Drive ASM
12:5	32151-95	1	Ring-Retaining	39:4	32151-95	1	Ring-Retaining
12:6	32151-89	1	Ring-Retaining, Bowed	40	88-7850	1	Idler Pulley ASM
13	3254-4	1	Washer-Lock/Int	40:1	88-7180	1	Pulley-Idler
14	3219-5	1	Nut-Hex	40:2	38-7820	1	Bearing-Ball
15	65-6970	1	Seal-Felt	40:3	88-7190	1	Spacer
16	93-9014	1	Pin-Clutch, Actuator	40:4	32120-42	1	Ring-Retaining
17	65-6290	1	Spring-Detent, Clutch	40:5	88-7200	1	Washer-Flat
18	3296-42	1	Nut-Lock, NI	40:6	3234-14	1	Screw-HHF
20	95-5731	1	Screw-Drive	41	3254-2	1	Washer-Lock, Internal
21	88-7170	1	Lever-Clutch	42	88-7700-01	1	Cover-Drive, Reel
22	88-7860	1	Spacer	43	88-7770	2	Strip-Seal, Front
23	3290-414	1	Washer-Belleville	44	88-7790	1	Strip-Seal, Upper
24	80-0700	1	Screw-HH, Torx	45	88-7800	1	Strip-Seal, Lower
25	65-8960	1	Boot-Clutch	46	237-160	1	Plug-Rubber
26	233-69	1	Knob				



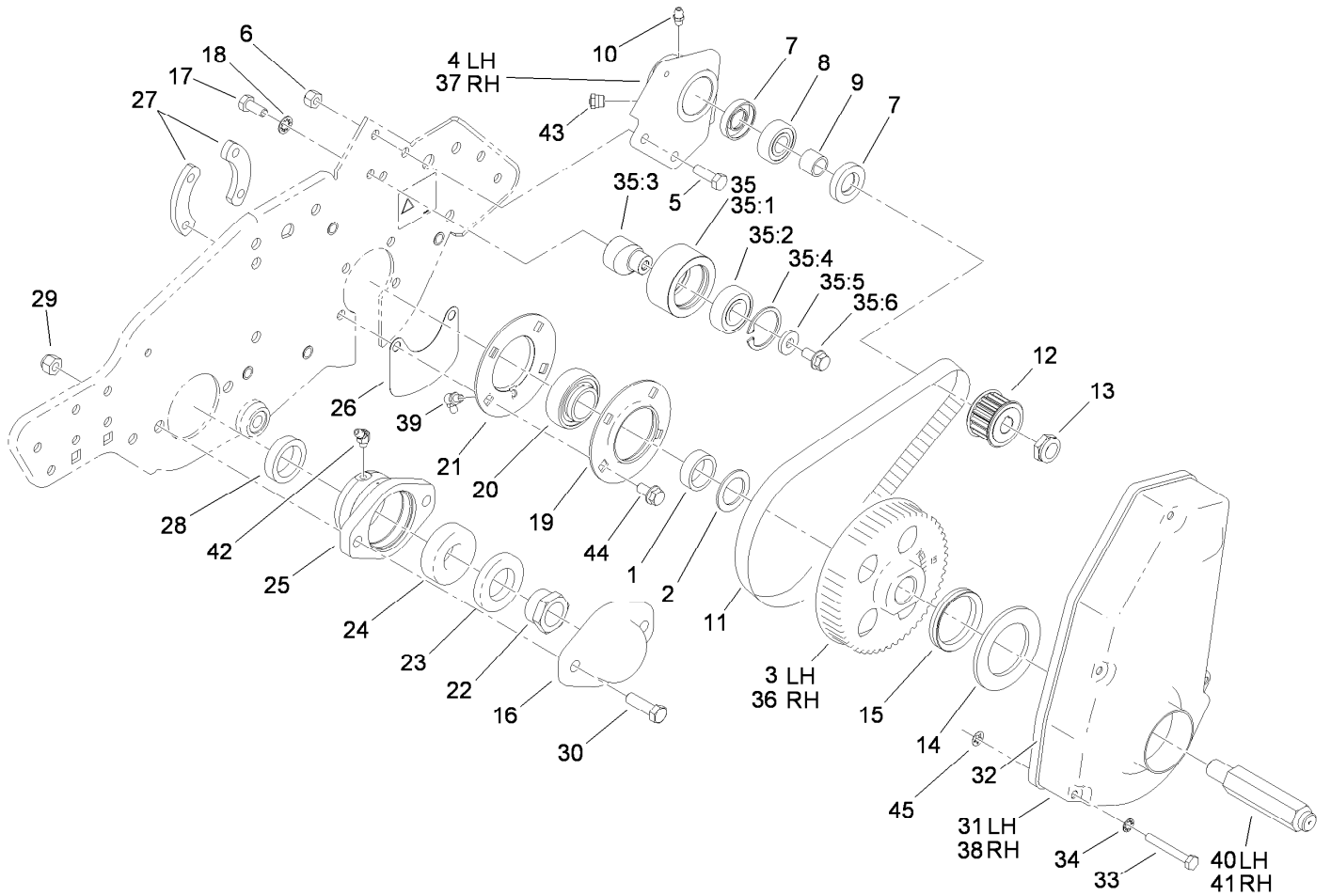
Reel Drive Assembly (continued)

<i>Ref.</i>	<i>Part Number</i>	<i>Qty.</i>	<i>Description</i>	<i>Ref.</i>	<i>Part Number</i>	<i>Qty.</i>	<i>Description</i>
47	92-4817	1	Decal-Engagement, Reel (Japan)	49	3254-8	4	Washer-Lock
47	93-7346	1	Decal-Engagement, Reel	50	302-11	1	Fitting-Lube, 45 DEG
48	321-20	4	Screw-HH	51	106-8737	4	Nut-Retainer



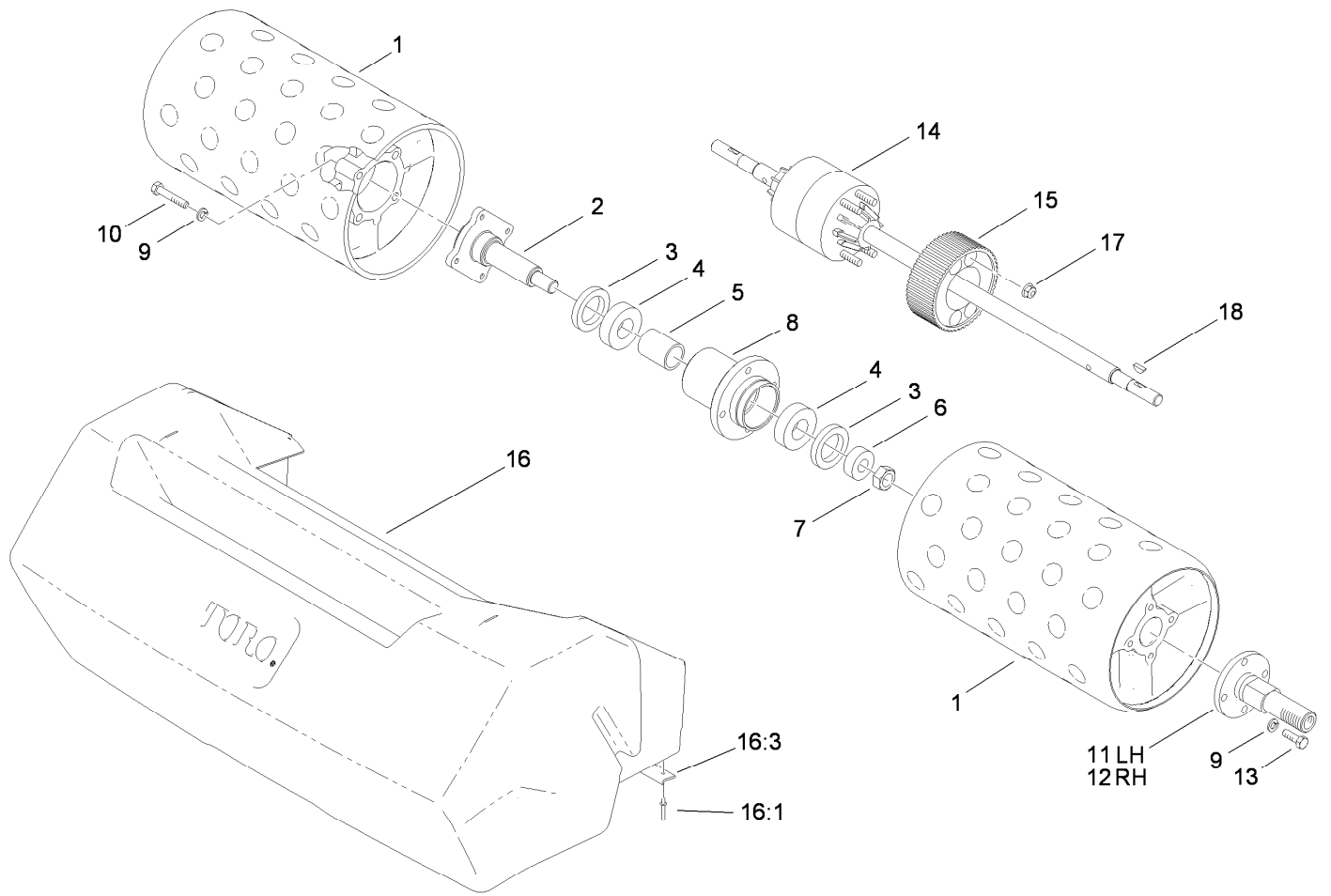
Reel Assembly

Ref.	Part Number	Qty.	Description	Ref.	Part Number	Qty.	Description
1	110-7370	1	Grass Shield ASM	8	104-2065	6	Screw-HWH
1:2	93-8064	1	Decal-Danger, CE	9	93-9015	1	Bedknife-Lowcut
1:2	84-6560	1	Decal-Warning (Japan)	10	57-4910	16	Screw-Special
1:3	95-1636	1	Strip-Seal	11	95-0900	1	8-Blade Reel ASM
2	65-6450	1	Bracket-LH	12	112-9280-01	1	Bedbar-Standard
3	65-6460	1	Bracket-RH	13	52-2900	4	Washer-Plastic
4	321-3	4	Screw-HH	14	117-9493	2	Bolt-Bedbar
5	3256-22	6	Washer-Flat	15	3296-28	2	Nut-Lock, NI
6	3296-42	4	Nut-Lock, NI	16	52-2860	4	Washer
7	94-5879	1	Bar-Cut Off				



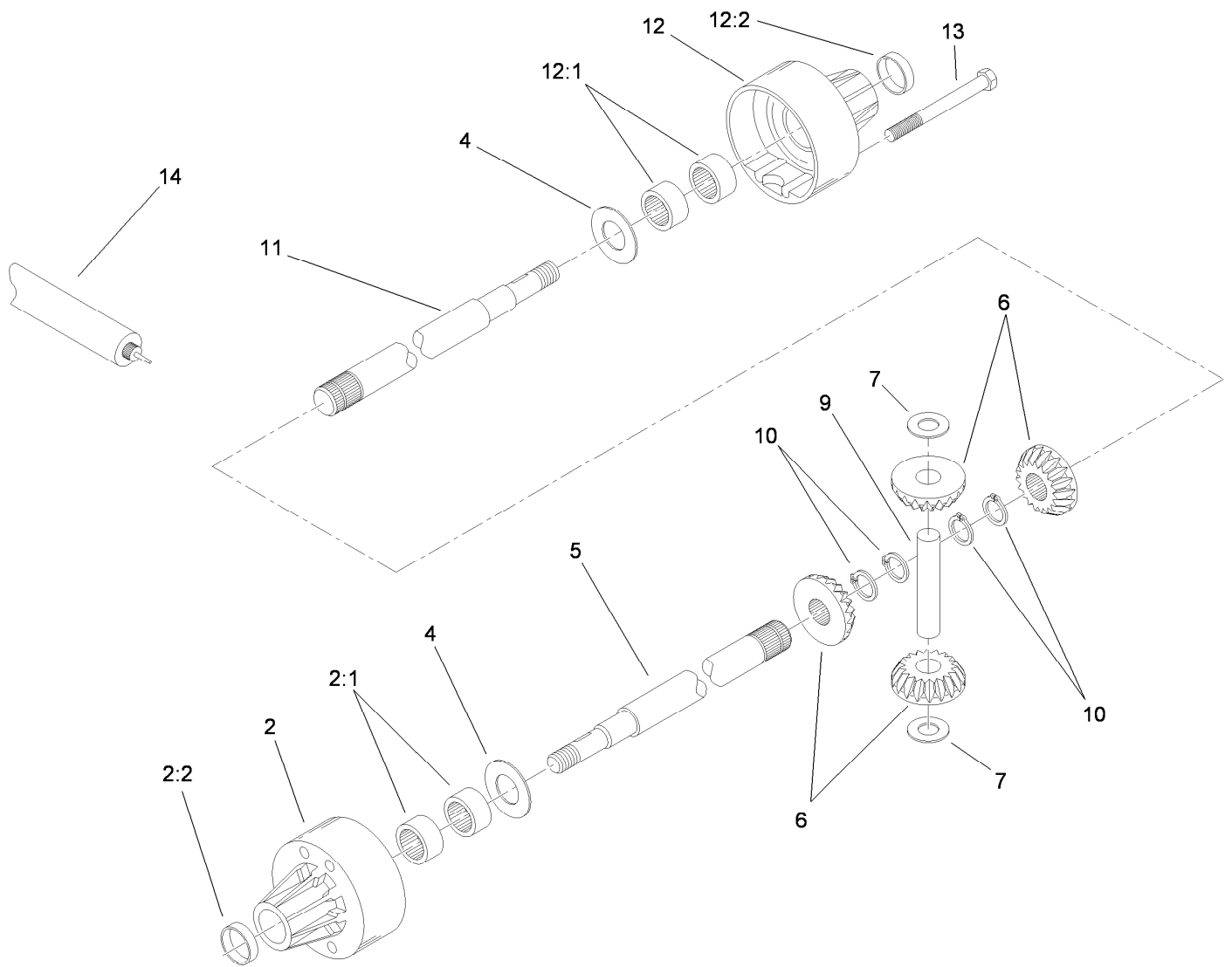
Drum Drive Assembly

Ref.	Part Number	Qty.	Description	Ref.	Part Number	Qty.	Description
1	88-7530	2	Spacer	27	65-8730	4	Clamp-Bearing
2	88-7540	2	Washer-Backup	28	253-96	1	Seal-Oil
3	105-5365	1	Pulley-Drum, LH	29	3296-39	2	Nut-Lock, NI
4	108-9414	1	Housing-Support, Differential (LH)	30	323-7	2	Screw-HH
5	322-5	4	Screw-HH	31	88-7680-01	1	Cover-Belt Drum, LH
6	3296-29	4	Nut-Lock, NI	32	88-7810	2	Seal-Strip, Drum Cover
7	253-160	4	Seal-Grease	33	321-11	8	Screw-HH
8	251-338	2	Bearing-Ball	34	3254-8	8	Washer-Lock
9	86-7130	2	Spacer-Pulley	35	88-7850	2	Idler Pulley ASM
10	302-5	2	Fitting-Grease	35:1	88-7180	1	Pulley-Idler
11	65-6210	2	Belt	35:2	38-7820	1	Bearing-Ball
12	65-6660	2	Pulley	35:3	88-7190	1	Spacer
13	3296-57	2	Nut-Lock, NI	35:4	32120-42	1	Ring-Retaining
14	94-9018	2	Washer-Plastic	35:5	88-7200	1	Washer-Flat
15	253-161	2	Seal-V-Ring	35:6	3234-14	1	Screw-HHF
16	65-6220-01	1	Cover-End, Reel	36	105-5364	1	Pulley-Drum, RH
17	322-3	2	Screw-HH	37	108-9416	1	Housing-Support, Differential (RH)
18	3254-2	2	Washer-Lock, Internal	38	88-7690-01	1	Cover-Drum, Belt (RH)
19	65-6590	2	Flangette-Bearing	39	104-1843	2	Fitting-Grease, 90 DEG
20	88-7880	2	Bearing	40	88-7580	1	Shaft-Wheel, Transport (LH)
21	95-0923	2	Flangette	41	88-7590	1	Shaft-Wheel, Transport (RH)
22	92-7302	1	Nut-Lock, Bearing	42	302-11	1	Fitting-Lube, 45 DEG
23	253-163	1	Seal	43	302-34	2	Fitting-Lube
24	251-342	1	Bearing-Ball	44	3234-14	8	Screw-HHF
25	65-8640	1	Housing-Bearing	45	106-8737	8	Nut-Retainer
26	65-8720	2	Closure-Plate, Side				



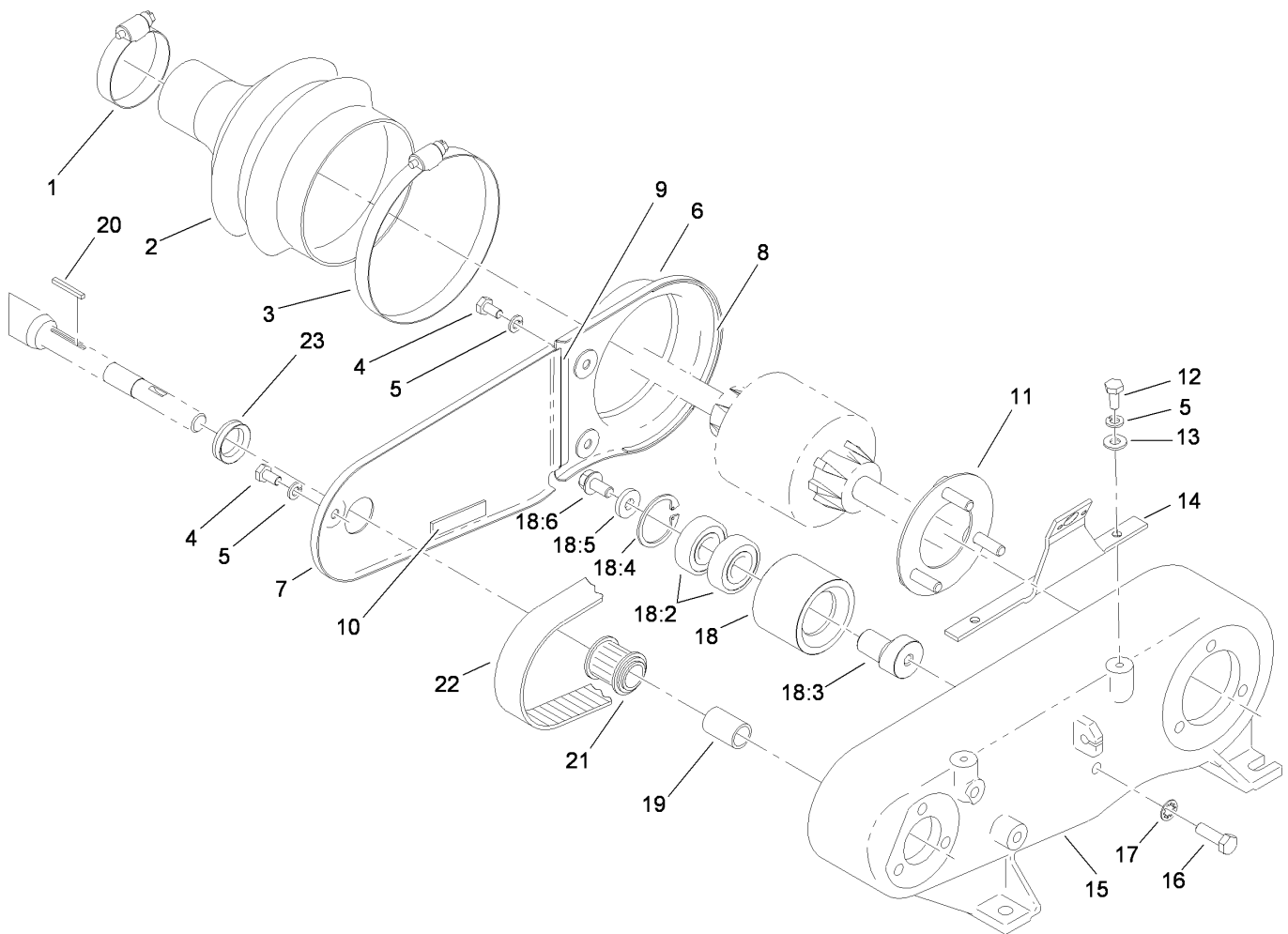
Drum and Basket Assembly

Ref.	Part Number	Qty.	Description	Ref.	Part Number	Qty.	Description
1	112-9269	2	Drum	11	88-7520	1	Shaft-Extension, Drum (LH)
2	94-5850	1	Spindle-Drum	12	88-7510	1	Shaft-Extension, Drum (RH)
3	253-159	2	Seal	13	322-5	8	Screw-HH
4	251-82	2	Bearing-Ball	14	93-9041	1	Differential
5	65-6520	1	Spacer	15	65-9120	1	Pulley-Housing, Differential
6	65-6530	1	Spacer	16	94-5893	1	Basket ASM
7	3296-33	1	Nut-Lock, NI	16:1	3290-409	9	Rivet
8	94-5852	1	Hub-Drum	16:3	94-5894	1	Channel-Basket
9	3253-4	16	Washer-Lock	17	104-8300	4	Nut-HF, NI
10	322-9	8	Screw-HH	18	3257-30	2	Key-Woodruff



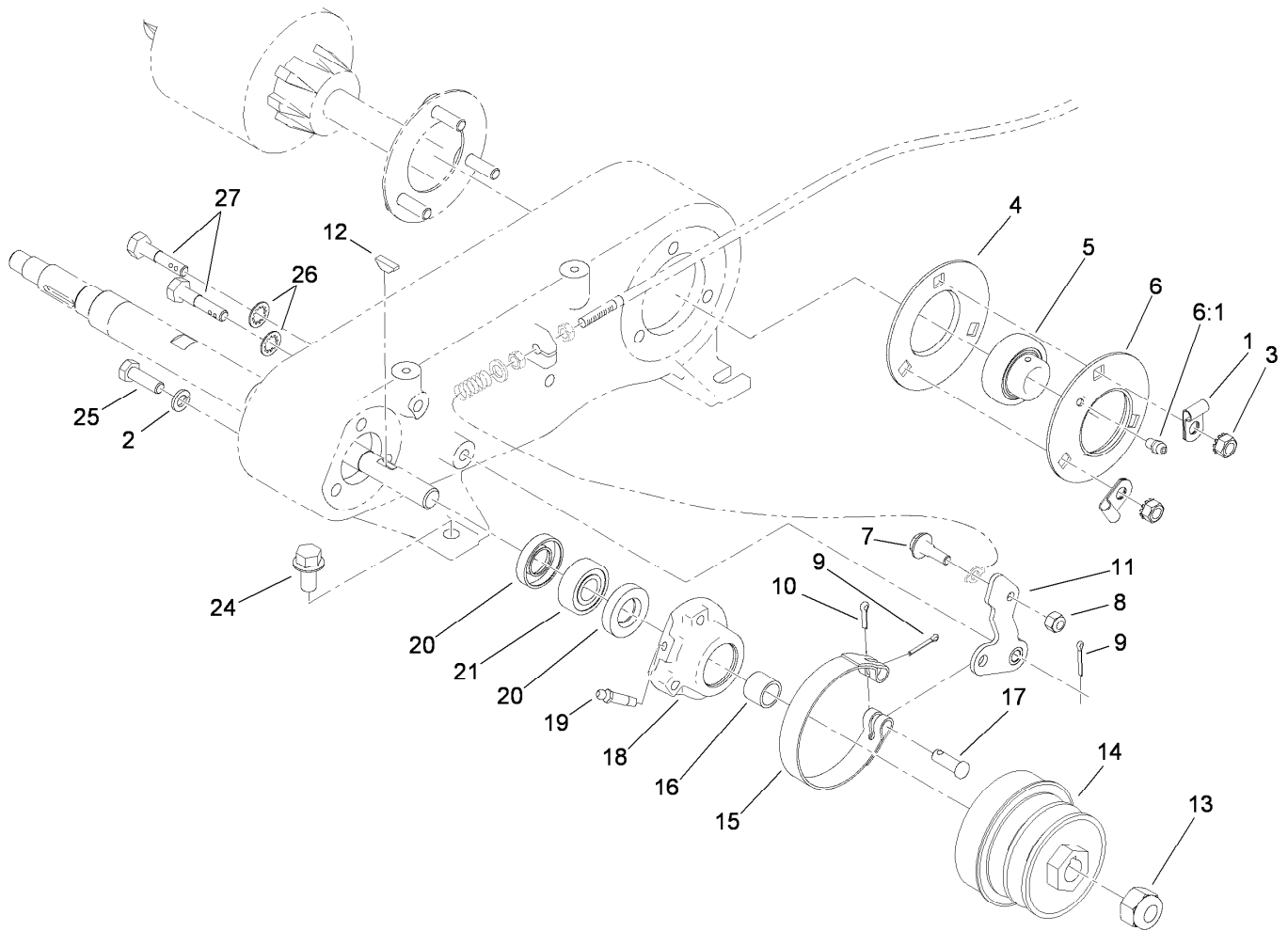
Differential Assembly No. 93-9041

Ref.	Part Number	Qty.	Description
2	95-5741	1	Carrier-Differential
2:1	95-5738	4	Bearing-Needle
2:2	95-5737	2	Seal-Oil
4	95-5745	2	Washer
5	95-5743	1	Axle-Long
6	104-0503	1	Gear Set-Differential
7	95-5744	2	Washer-Flat
9	95-5747	1	Pin-Drive
10	95-5746	4	Ring-Retaining
11	95-5742	1	Axle-Short
12	95-5740	1	Carrier-Differential
12:1	95-5738	4	Bearing-Needle
12:2	95-5737	2	Seal-Oil
13	95-5739	4	Screw
14	95-5734	1	Grease



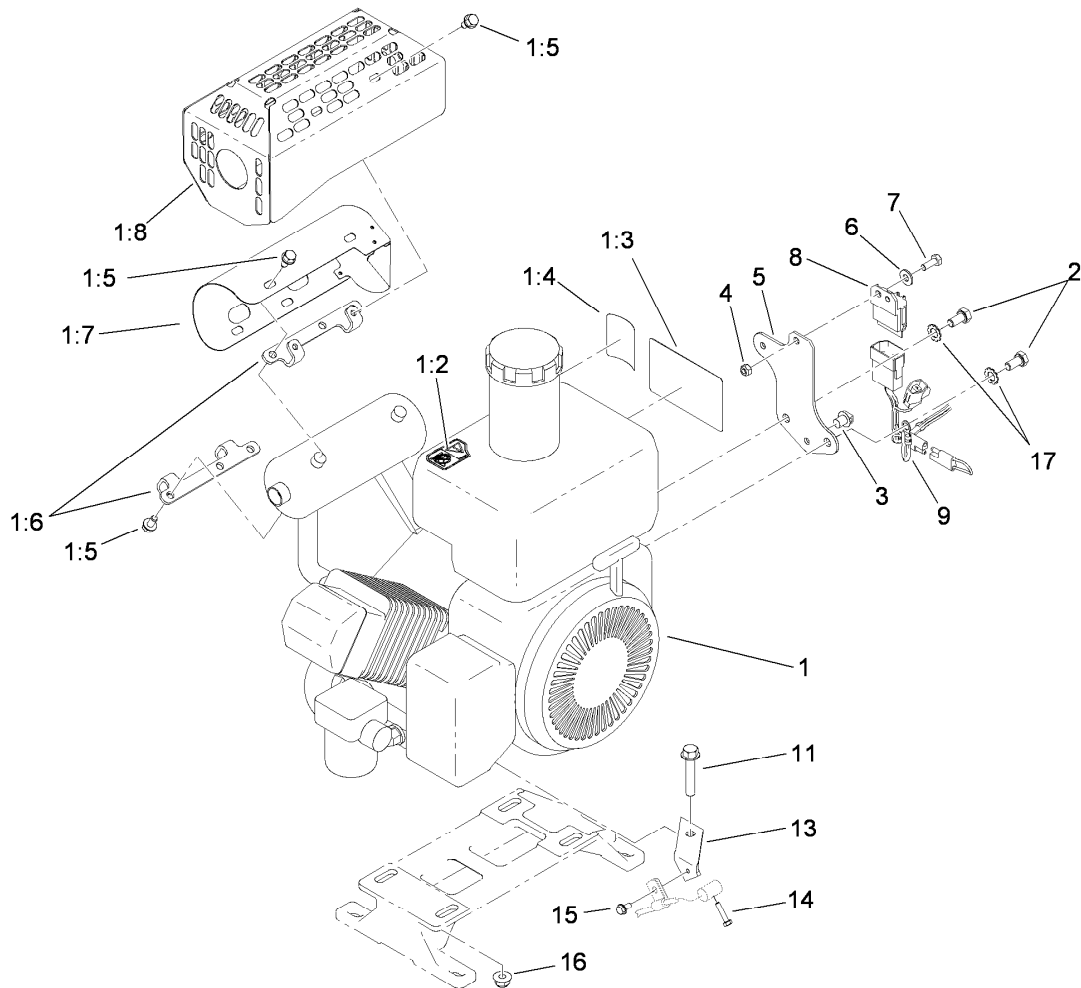
Inner Countershaft Assembly

<i>Ref.</i>	<i>Part Number</i>	<i>Qty.</i>	<i>Description</i>	<i>Ref.</i>	<i>Part Number</i>	<i>Qty.</i>	<i>Description</i>
1	2412-139	1	Clamp-Hose	15	88-7230	1	Housing-Shaft, Counter
2	94-5866	1	Boot-Differential	16	322-5	1	Screw-HH
3	2412-140	1	Clamp-Hose	17	3254-2	1	Washer-Lock, Internal
4	321-2	3	Screw-HH	18	88-7870	1	Idler Pulley ASM
5	3253-3	5	Washer-Lock	18:2	38-7820	2	Bearing-Ball
6	88-7250-03	1	Cover-Box, Rear	18:3	88-7380	1	Spacer-Pulley
7	88-7240-03	1	Cover-Box, Front	18:4	32120-42	1	Ring-Retaining
8	65-6902	1	Seal-Strip, Cover	18:5	88-7200	1	Washer-Flat
9	65-6903	1	Seal-Strip, Cover	18:6	3234-14	1	Screw-HHF
10	65-6901	1	Seal-Strip, Cover	19	86-7140	1	Spacer
11	65-6720	1	Plate-Screw	20	65-6850	1	Key-Square
12	321-3	2	Screw-HH	21	65-8910	1	Pulley-Countershaft
13	3256-22	2	Washer-Flat	22	65-9080	1	Belt
14	93-1448	1	Bracket-Cover	23	88-7710	1	Seal-V-Ring



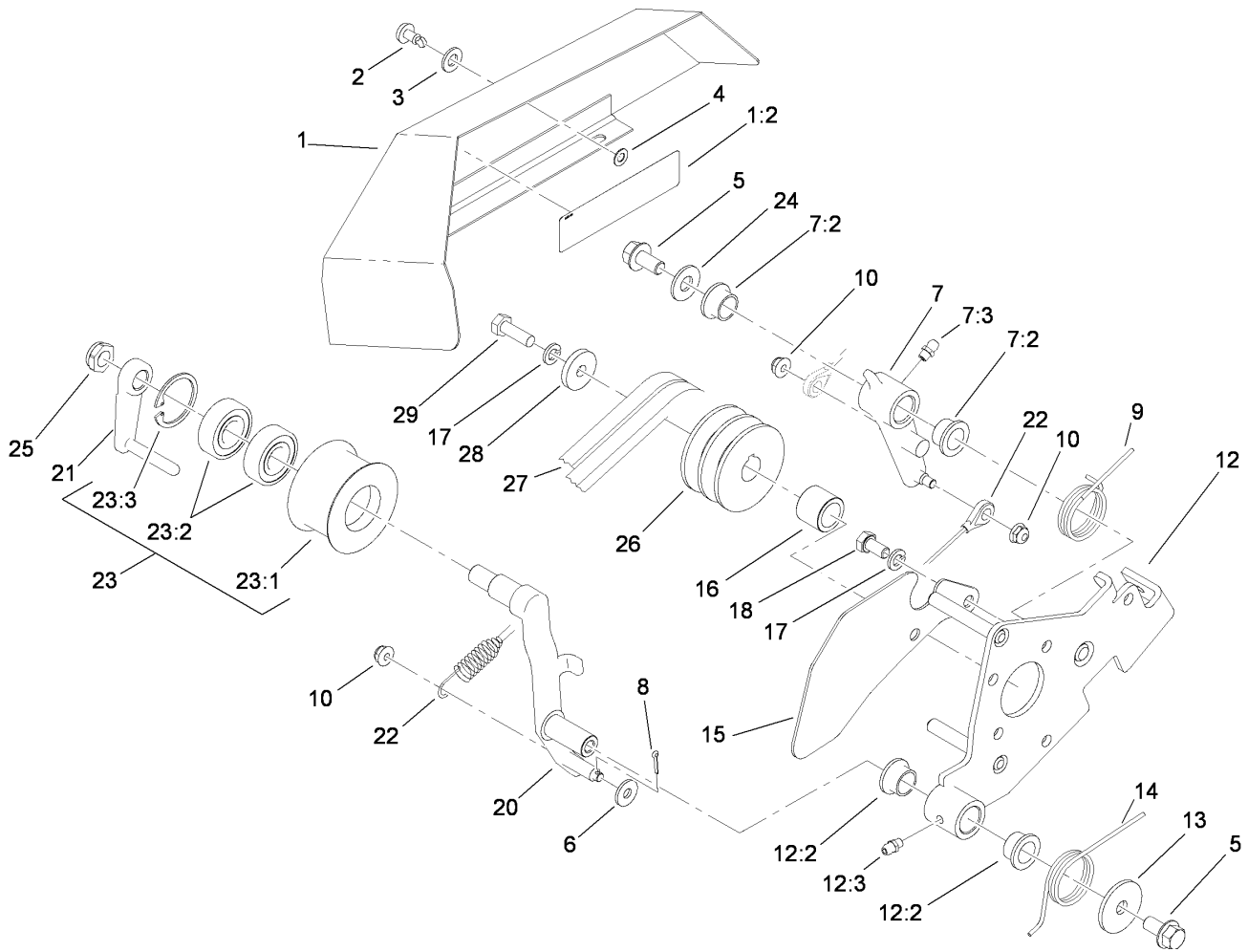
Outer Crankshaft Assembly

<i>Ref.</i>	<i>Part Number</i>	<i>Qty.</i>	<i>Description</i>	<i>Ref.</i>	<i>Part Number</i>	<i>Qty.</i>	<i>Description</i>
1	88-7970	2	Clip	13	3296-63	1	Nut-Lock, NI
2	3253-4	3	Washer-Lock	14	92-9212	1	Pulley-Shaft, Input
3	32149-1	3	Nut-Keps	15	65-8700	1	Band-Brake
4	65-6710	1	Flangette-Bearing	16	86-7130	1	Spacer-Pulley
5	108-7663	1	Bearing-Race, Extended	17	283-75	1	Pin-Clevis
6	65-6700	1	Flangette-Lube	18	65-6760	1	Housing-Bearing
6:1	302-55	1	Fitting-Grease	19	302-64	1	Fitting-Grease
7	11-9030	1	Screw-Shoulder	20	253-160	2	Seal-Grease
8	3296-42	1	Nut-Lock, NI	21	251-338	1	Bearing-Ball
9	3272-6	2	Pin-Cotter	24	3234-1	4	Screw-HHF
10	3272-8	1	Pin-Cotter	25	322-5	3	Screw-HH
11	117-1433	1	Lever-Brake, Lower	26	3254-6	2	Washer-Lock, Internal
12	3257-30	1	Key-Woodruff	27	117-1430	2	Bolt-Mount, Brake



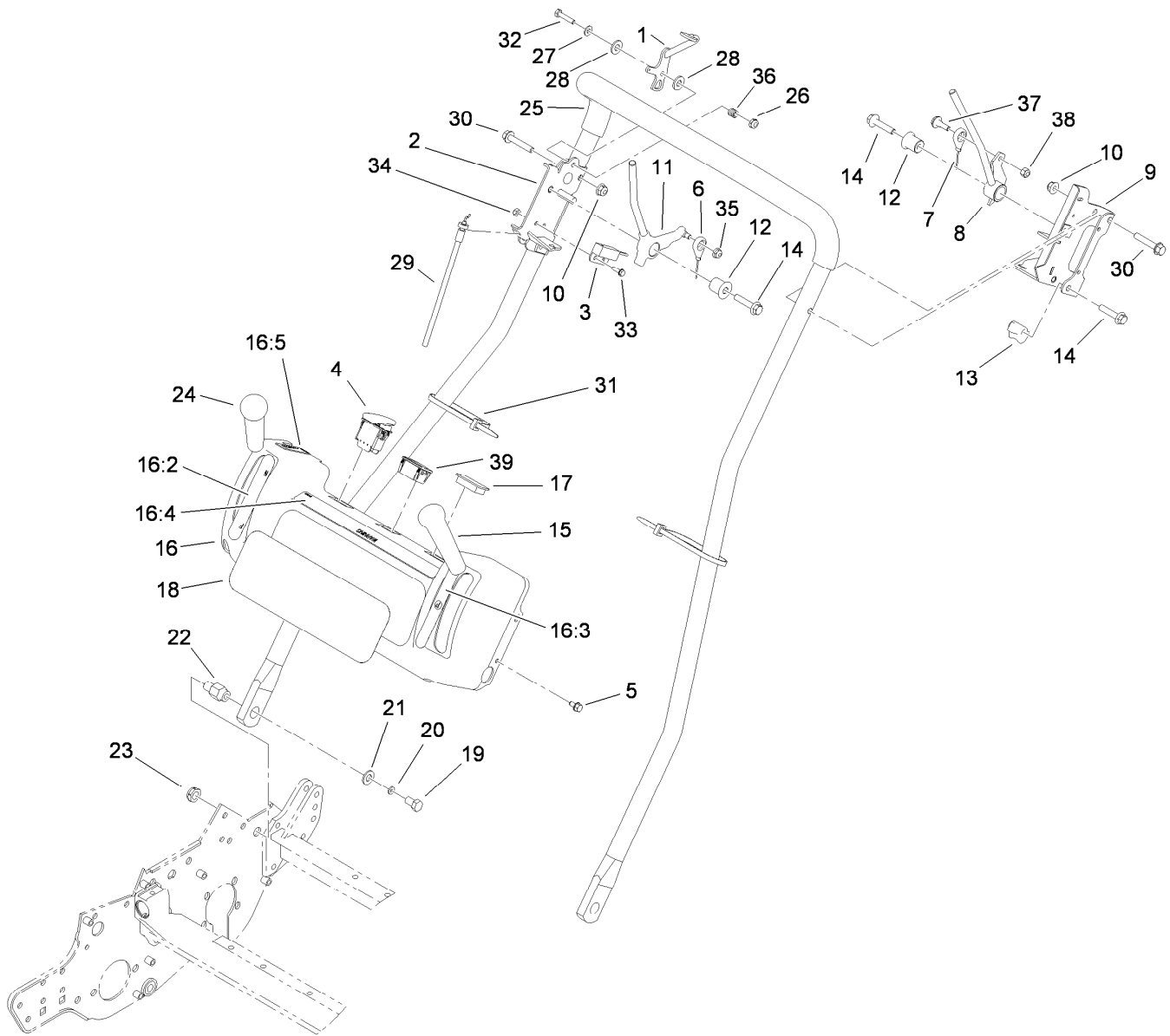
Engine Assembly

<i>Ref.</i>	<i>Part Number</i>	<i>Qty.</i>	<i>Description</i>
1	115-1066	1	Engine ASM
1:2	115-1615	1	Decal-Surface, Hot
1:3	115-1613	1	Decal-Danger
1:4	93-9886	1	Decal-Fuel
1:5	104-2628	8	Screw
1:6	104-9771	2	Bracket-Guard, Muffler
1:7	110-7359	1	Muffler Shield ASM
1:8	110-7361-03	1	Guard-Muffler
2	33114-016	2	Screw-HH
3	32180-030	1	Clip-Tie
4	33023-00	1	Nut-Lock
5	117-1365-03	1	Plate-Harness, Wire
6	3256-22	1	Washer-Flat
7	33113-016	1	Screw-HH
8	1-323430	1	Switch-Module-Interlock
9	115-1610	1	Harness-Wire
11	94-5780	4	Screw-HWH
13	88-7960	1	Bracket-Cable, Throttle
14	94-9015	1	Screw-HH
15	104-2065	1	Screw-HWH
16	104-8300	4	Nut-HF, NI
17	3255-9	2	Washer-Lock



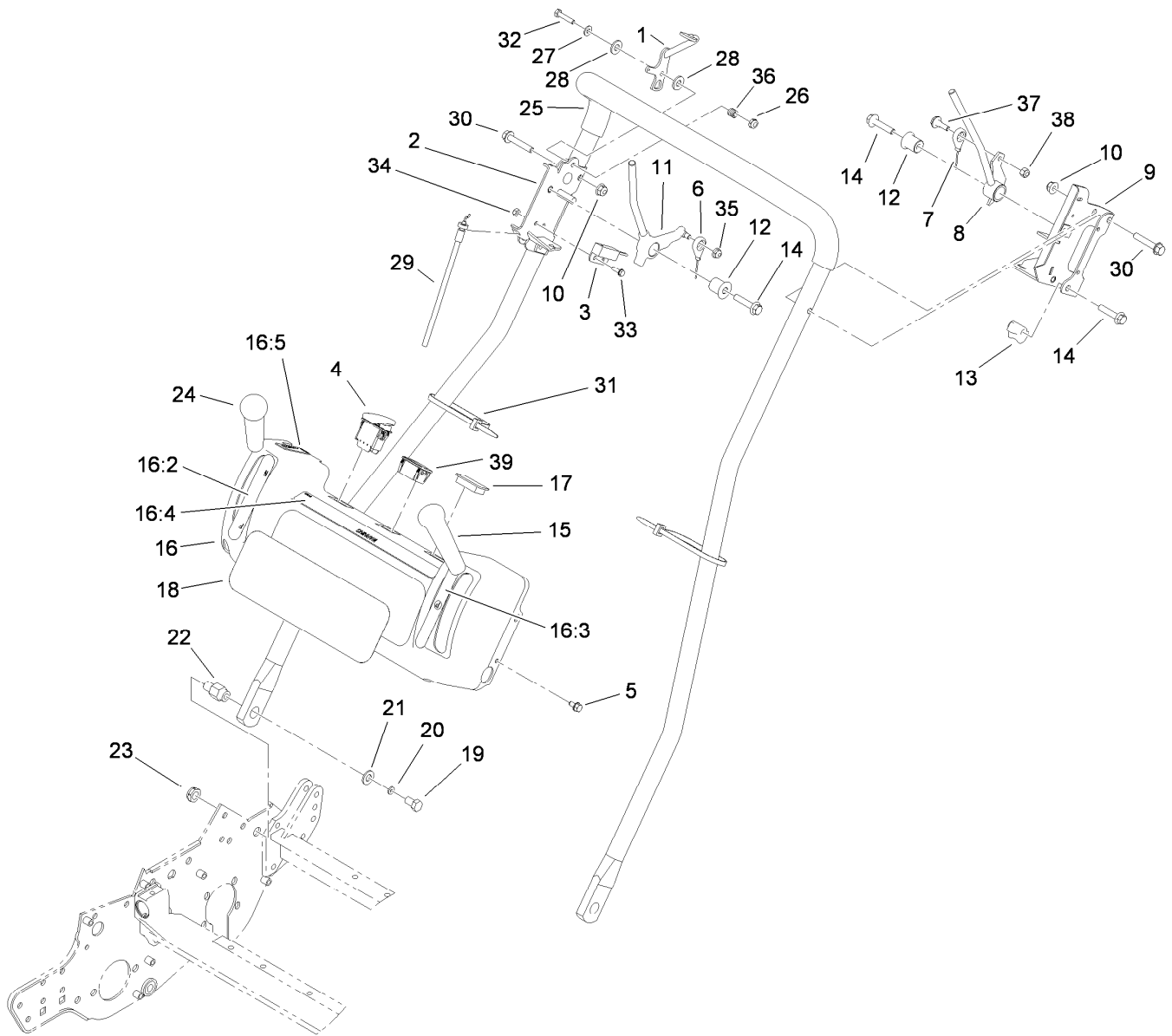
Bellcrank Assembly

<i>Ref.</i>	<i>Part Number</i>	<i>Qty.</i>	<i>Description</i>	<i>Ref.</i>	<i>Part Number</i>	<i>Qty.</i>	<i>Description</i>
1	94-9007	1	Bellcrank Cover ASM	14	93-6012	1	Spring-Torque, Clutch Lever
1:2	84-7280	1	Decal-Danger, Japan	15	93-6013-03	1	Shield-Belt
1:2	93-7273	1	Decal-Danger	16	65-8260	1	Spacer-Shaft, Engine
2	93-6074	1	Stud	17	3253-4	6	Washer-Lock
3	3256-70	1	Washer-Flat	18	33114-016	5	Screw-HH
4	93-6073	1	Washer-Nylon	20	112-9392	1	Lever-Clutch
5	110-1718	2	Screw-HHF	21	112-9390	1	Guide-Belt
6	3256-78	1	Washer-Flat	22	93-9024	1	Cable Link ASM
7	112-9388	1	Traction Lever ASM	23	112-9385	1	Idler Pulley ASM
7:2	65-8770	2	Bushing-Bellcrank	23:1	98-7297	1	Pulley-Idler
7:3	302-5	1	Fitting-Grease	23:2	38-7820	2	Bearing-Ball
8	3272-5	1	Pin-Cotter	23:3	32120-42	1	Ring-Retaining
9	93-6011	1	Spring-Torsion	24	3256-4	1	Washer-Flat
10	104-7201	3	Nut-HF, NI	25	3296-45	1	Nut-Hex
12	112-9398	1	Clutch Bracket ASM	26	92-9216	1	Pulley-Drive, Input
12:2	65-8770	2	Bushing-Bellcrank	27	92-9218	1	Belt-V, Matched Set
12:3	302-5	1	Fitting-Grease	28	65-8270	1	Washer
13	93-6099	1	Washer	29	33114-025	1	Screw-HH



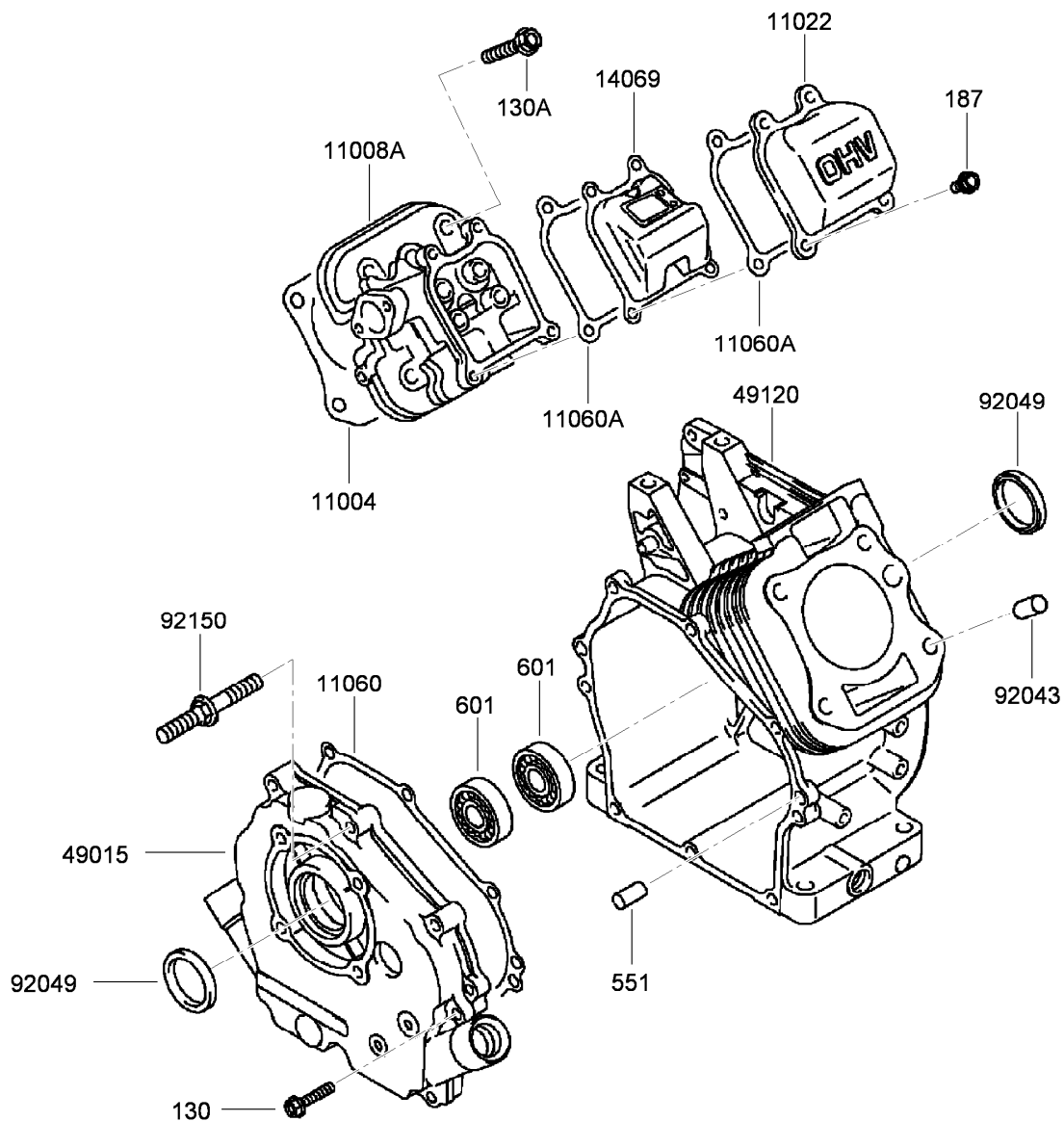
Handle Assembly

Ref.	Part Number	Qty.	Description	Ref.	Part Number	Qty.	Description
1	115-1098	1	Throttle Lever ASM	18	115-1131	1	Decal-Console
2	115-1751-03	1	Traction Bracket ASM	19	323-34	2	Screw-HH
3	100-1270	1	Switch-Proximity	20	3253-21	2	Washer-Lock
4	112-9420	1	Switch-Engine	21	3256-24	2	Washer-Flat
5	104-2628	4	Screw	22	110-7364	2	Pin-Handle, Pivot
6	94-5870	1	Cable-Clutch	23	3296-28	2	Nut-Lock, NI
7	94-5871	1	Cable Brake ASM	24	104-9760	1	Knob-Black
8	115-1677	1	Brake Lever ASM	25	112-9479	1	Handle
9	115-1068-03	1	Brake Bracket ASM	26	3296-56	1	Nut-Lock, NI
10	104-8300	2	Nut-HF, NI	27	3256-22	1	Washer-Flat
11	112-9321	1	Lever-Traction	28	66-2921	2	Washer-Friction
12	112-9317	2	Bushing-Flanged	29	115-1747	1	Cable-Throttle
13	110-2415	2	Clamp-Handle	30	94-5780	2	Screw-HWH
14	112-9318	4	Screw-HHF, Locking	31	3290-378	4	Tie-Cable
15	104-9774	1	Knob-Red	32	321-8	1	Screw-HH
16	115-1124	1	Console ASM	33	115-1727	2	Screw-HHF
16:2	115-1720	1	Decal-Lever, Traction	34	1-804254	2	Nut-Lock, HH
16:3	104-2618	1	Decal-Lever, Brake	35	104-7201	1	Nut-HF, NI
16:4	115-1614	1	Decal-Warning	36	3-5787	1	Spring-Compression
16:5	93-6085	1	Decal-Throttle	37	11-9030	1	Screw-Shoulder
17	99-7420	1	Plug-Hole				



Handle Assembly (continued)

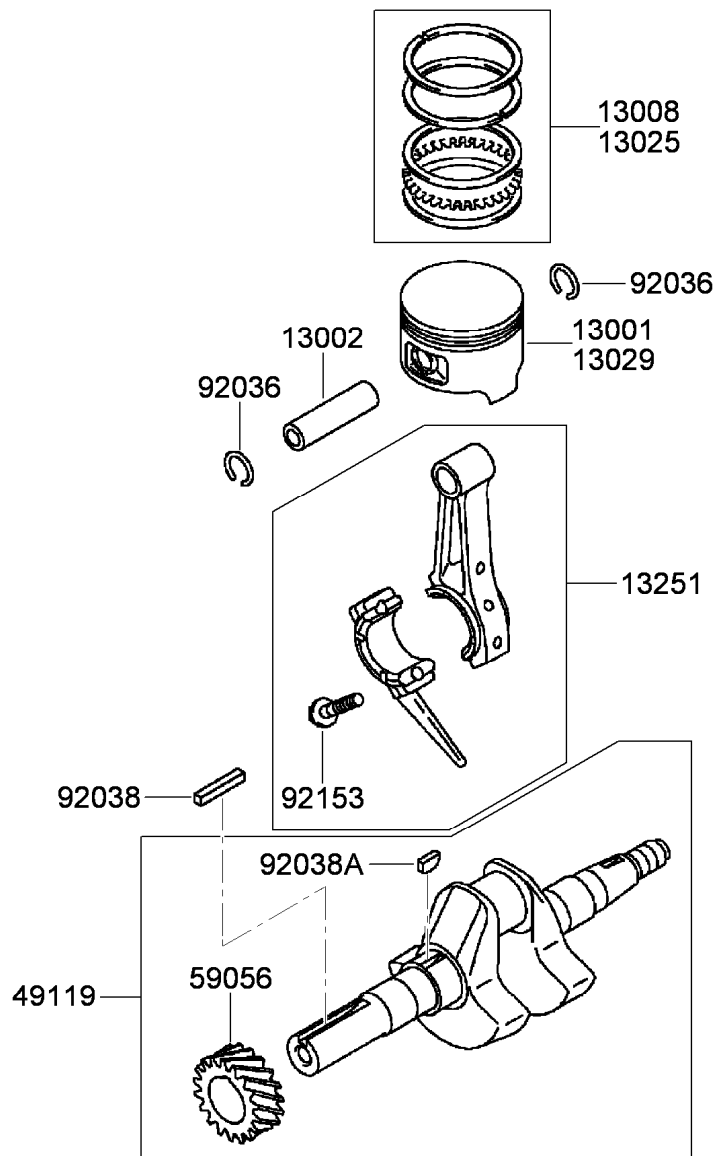
<i>Ref.</i>	<i>Part Number</i>	<i>Qty.</i>	<i>Description</i>
38	3296-42	1	Nut-Lock, NI
39	119-1347	1	Meter-Hour



Cylinder and Crankcase Assembly

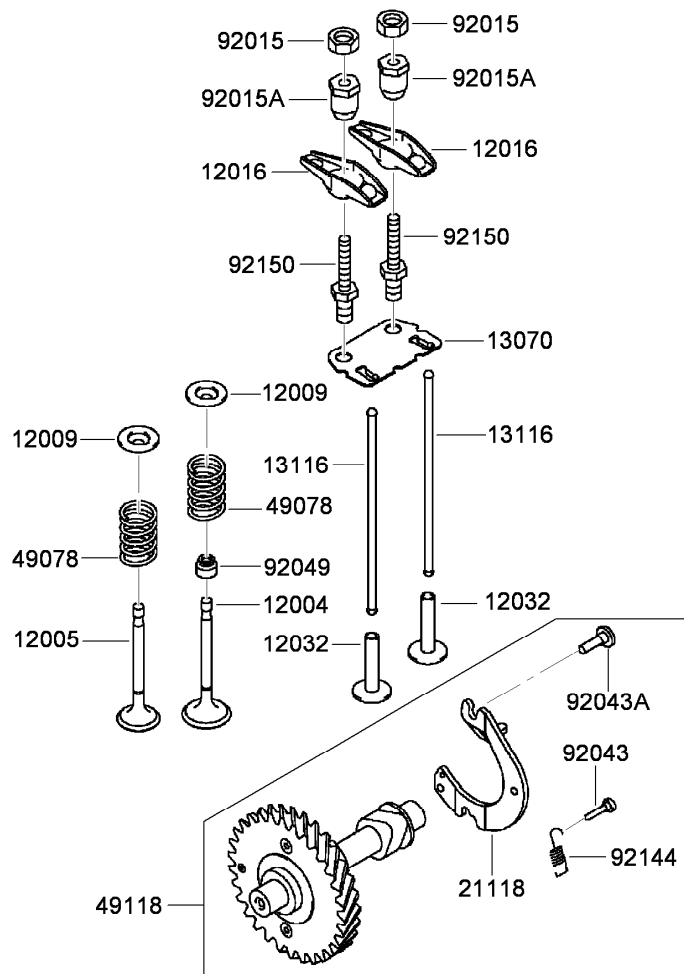
Ref.	Part Number	Qty.	Description
130	108-2522	7	Bolt-Flanged (6X30)
130A	115-1759	4	Bolt-Flanged (8X45)
187	115-1760	4	Bolt-Upset, Wsp (6X16)
551	93-8516	2	Pin-Dowel (6X12)
601	93-8517	2	Bearing-Ball
11004	93-8504	1	Gasket-Head
11008A	115-1757	1	Head-Cylinder
11022	93-8508	1	Case-Rocker

Ref.	Part Number	Qty.	Description
11060	93-8525	1	Gasket-Cover, Crankcase
11060A	93-8509	2	Gasket-Case, Rocker
14069	93-8510	1	Breather
49015	93-8697	1	Cover-Crankcase
49120	93-8515	1	Crankcase
92043	93-8512	2	Pin
92049	93-8511	2	Seal-Oil
92150	93-8524	1	Stud



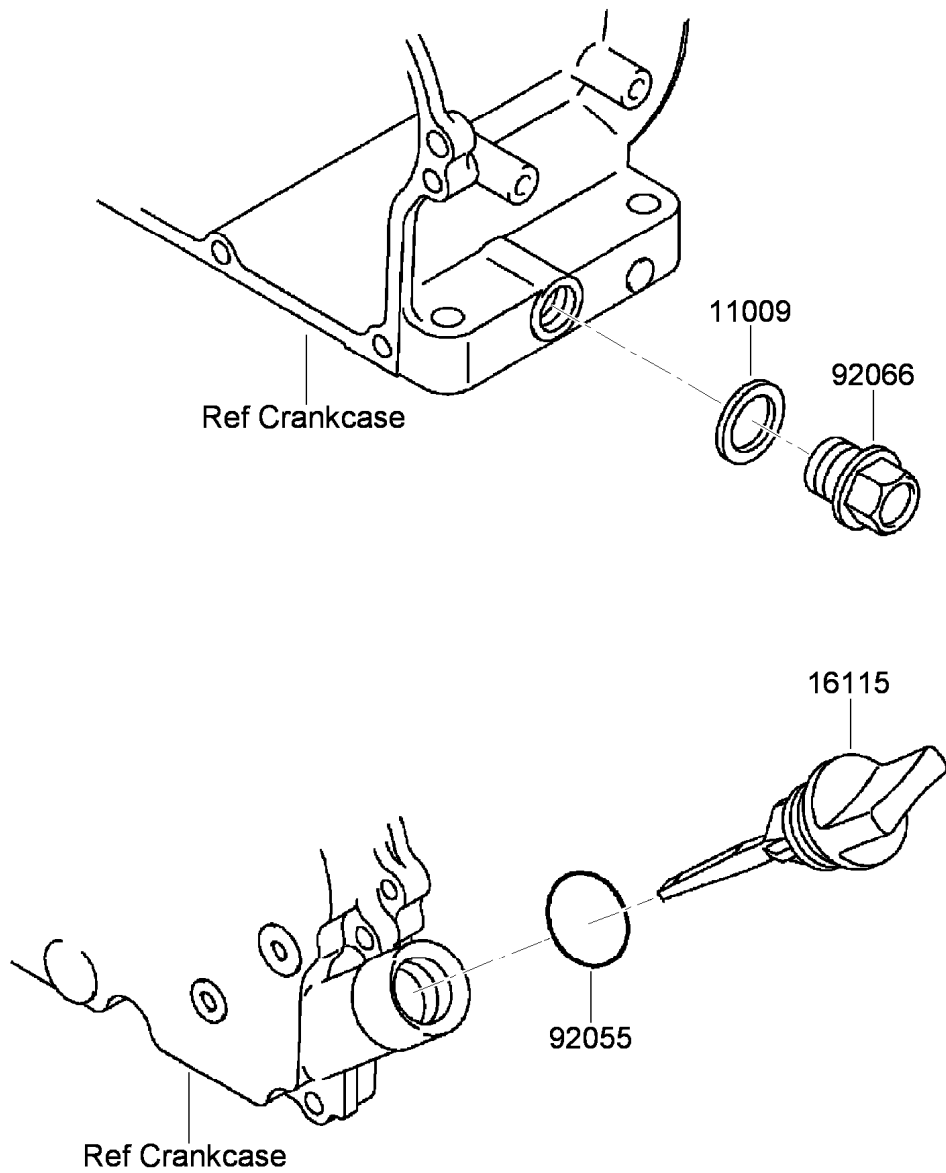
Piston and Crankshaft Assembly

Ref.	Part Number	Qty.	Description
13001	93-8502	1	Piston
13002	93-8501	1	Pin-Piston
13008	93-8503	1	Set-Ring, Piston
13025	94-6837	1	Piston Ring Set (.05MM)
13029	94-6836	1	Piston (0.5 O S)
13251	93-8528	1	Connecting Rod ASM
49119	93-8518	1	Crankshaft ASM
59056	94-9043	1	Gear-Helical
92036	93-8500	2	Ring-Retaining
92038	93-8526	1	Key
92038A	93-8698	1	Key
92153	115-1805	2	Bolt (6X30)



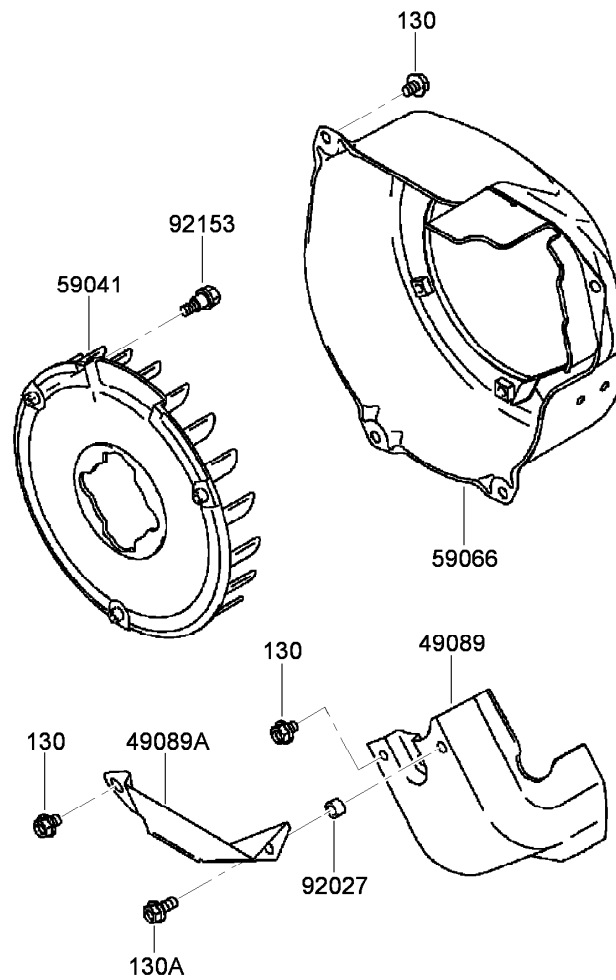
Valve and Camshaft Assembly

<i>Ref.</i>	<i>Part Number</i>	<i>Qty.</i>	<i>Description</i>
12004	93-8532	1	Valve-Intake
12005	93-8529	1	Valve-Exhaust
12009	93-8531	2	Retainer-Spring, Valve
12016	93-8535	2	Arm-Rocker
12032	93-8539	2	Tappet
13070	115-1758	1	Guide
13116	93-8538	2	Rod-Push
21118	93-8543	1	Decompressor
49078	115-1763	2	Spring-Valve, Engine
49118	93-8699	1	Camshaft ASM
92015	93-8533	2	Nut
92015A	93-8534	2	Nut
92043	93-8542	1	Pin
92043A	93-8540	2	Pin
92049	115-1762	1	Seal-Oil
92144	93-8541	1	Spring
92150	93-8536	2	Bolt



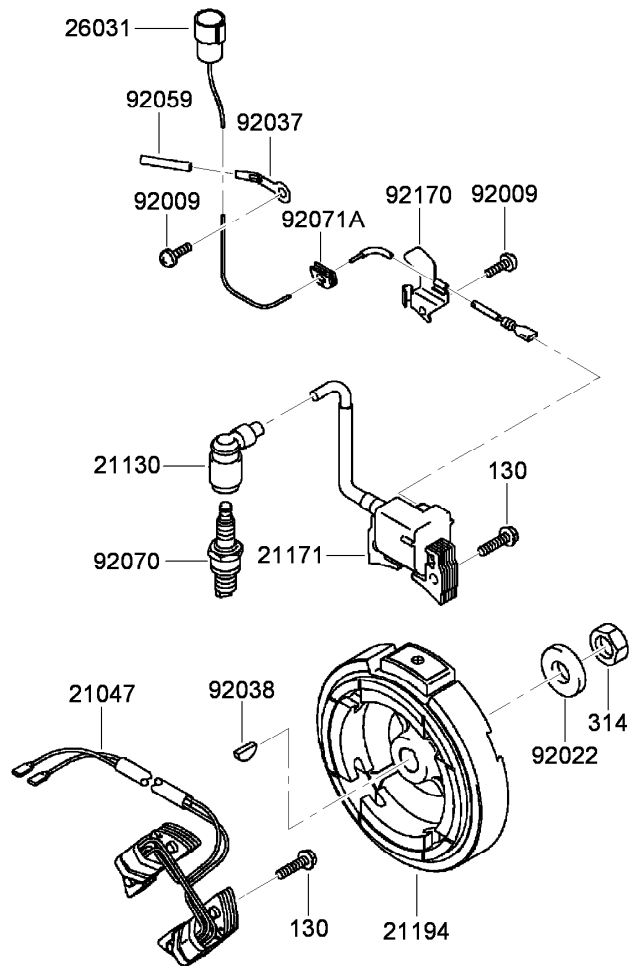
Lubrication Equipment Assembly

<i>Ref.</i>	<i>Part Number</i>	<i>Qty.</i>	<i>Description</i>
11009	93-8514	2	Gasket-Plug, Drain (14.2X19X2)
16115	93-8523	2	Cap-Filler, Oil
92055	94-9041	2	O-Ring (20MM)
92066	115-1761	2	Plug (14X12)



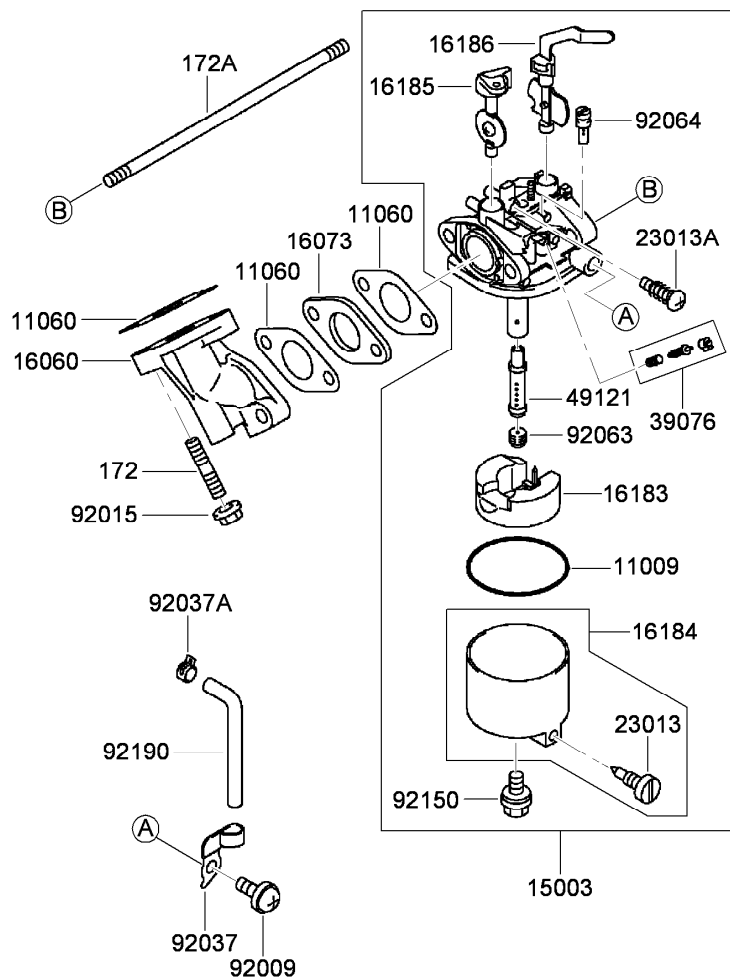
Cooling Equipment Assembly

<i>Ref.</i>	<i>Part Number</i>	<i>Qty.</i>	<i>Description</i>
130	115-1765	7	Bolt-Flanged (6X8)
130A	115-1764	1	Bolt-Flanged (6X14)
49089	93-8563	1	Shroud-Engine
49089A	93-8565	1	Shroud-Engine
59041	93-8572	1	Fan
59066	115-1804	1	Housing-Fan
92027	93-8564	1	Collar (6.8X10X6)
92153	115-1766	3	Bolt



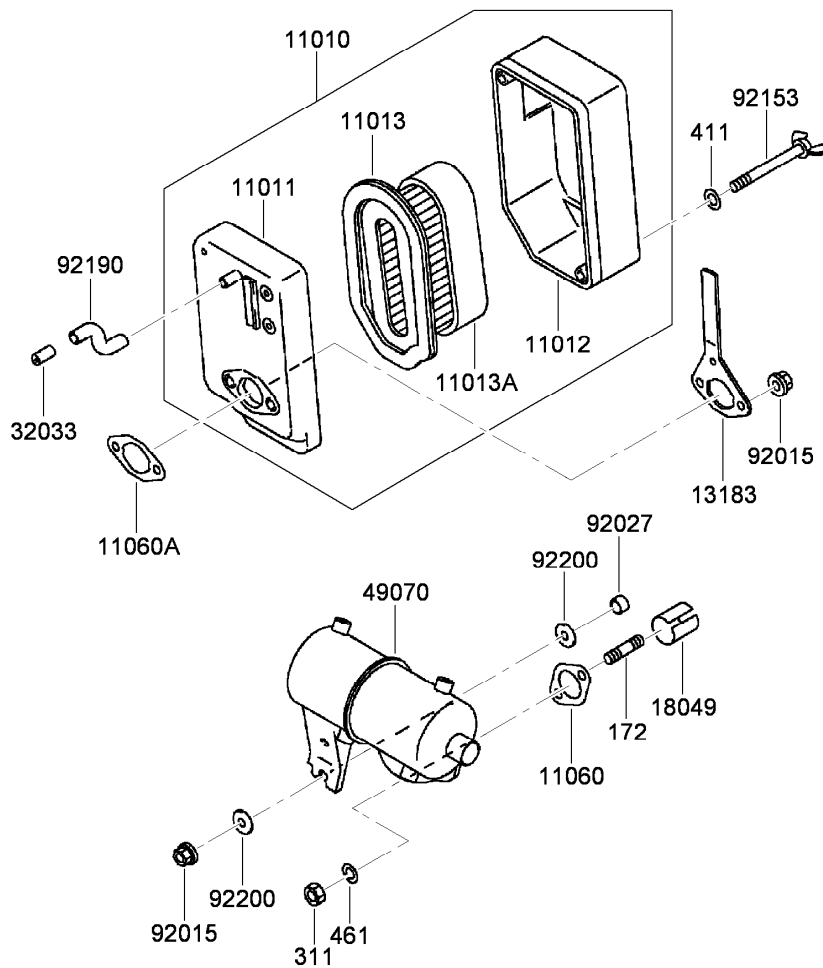
Electric Equipment Assembly

<i>Ref.</i>	<i>Part Number</i>	<i>Qty.</i>	<i>Description</i>
130	100-2610	6	Bolt-Flanged (6X25)
314	93-8568	1	Nut-Hex, Fine (14MM)
21047	99-4267	1	Coil-Lighting
21130	KW10087	1	Cap-Sparkplug
21171	94-9031	1	Ignition Coil ASM
21194	99-6237	1	Flywheel ASM
26031	115-1767	1	Harness
92009	95-9716	2	Screw
92022	93-8569	1	Washer
92037	115-1771	1	Clamp
92038	93-8571	1	Key
92059	115-1768	1	Tube (5X6X75)
92070	108-2557	1	Sparkplug (Bpr5ES) (Ngk) Solid
92071A	115-1772	1	Grommet
92170	93-8583	1	Clamp



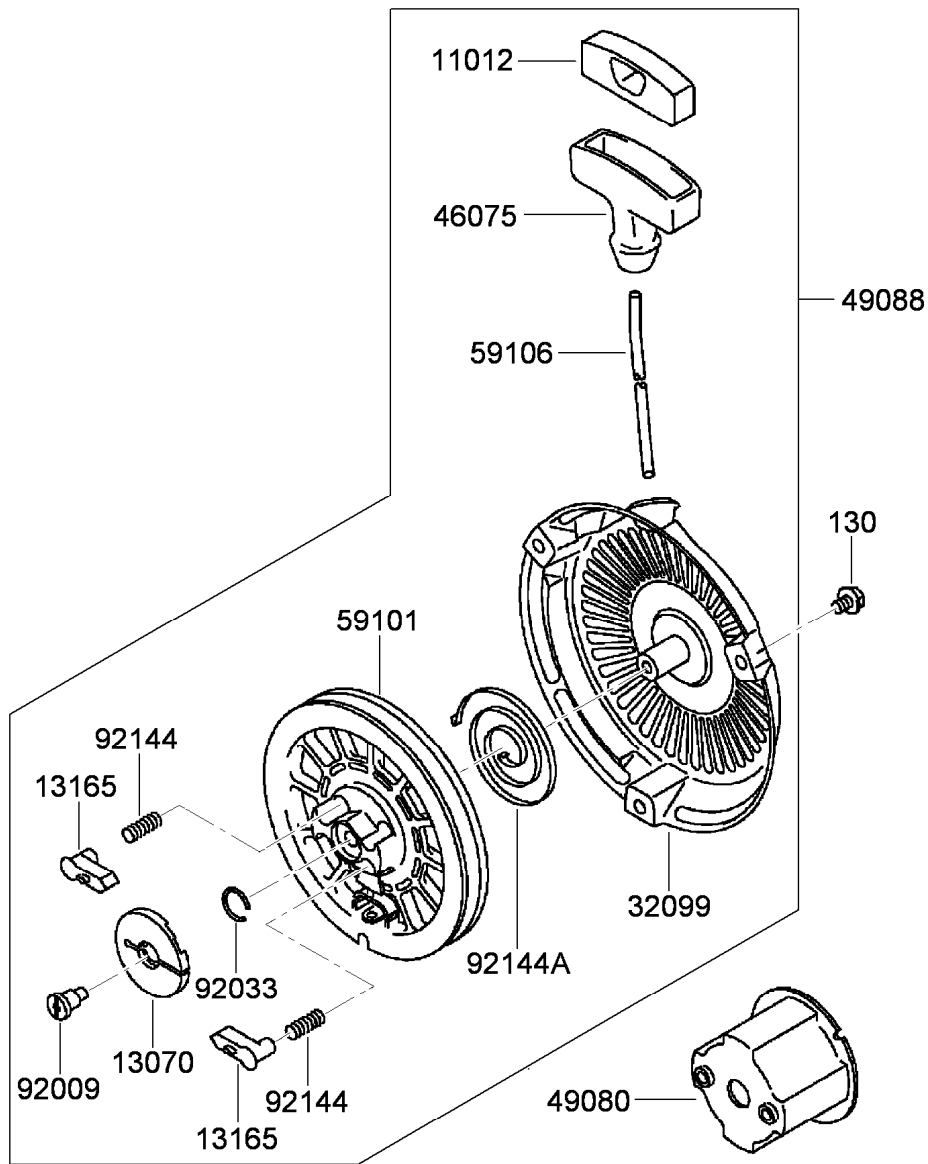
Carburetor Assembly

Ref.	Part Number	Qty.	Description
172	93-8632	2	Bolt-Stud (6X18)
172A	115-1814	1	Bolt-Stud (6X73)
11009	93-8624	1	Gasket
11060	93-8613	3	Gasket
15003	94-9032	1	Carburetor ASM
16060	93-8633	1	Pipe-Intake
16073	94-9048	1	Insulator
16183	94-6844	1	Float ASM
16184	93-8625	1	Float Chamber ASM
16185	94-9033	1	Throttle Valve ASM
16186	93-8617	1	Choke Valve ASM
23013	93-8626	1	Screw ASM
23013A	93-8619	1	Screw ASM
39076	94-9034	1	Limiter
49121	94-9035	1	Nozzle-Main
92009	94-6845	1	Screw
92015	93-8631	2	Nut
92037	94-6846	1	Clamp
92037A	93-8629	1	Clamp
92063	94-9036	1	Jet-Main (No.65)
92064	94-9037	1	Jet-Pilot (No.40)
92150	93-8627	1	Bolt
92190	93-8630	1	Tube



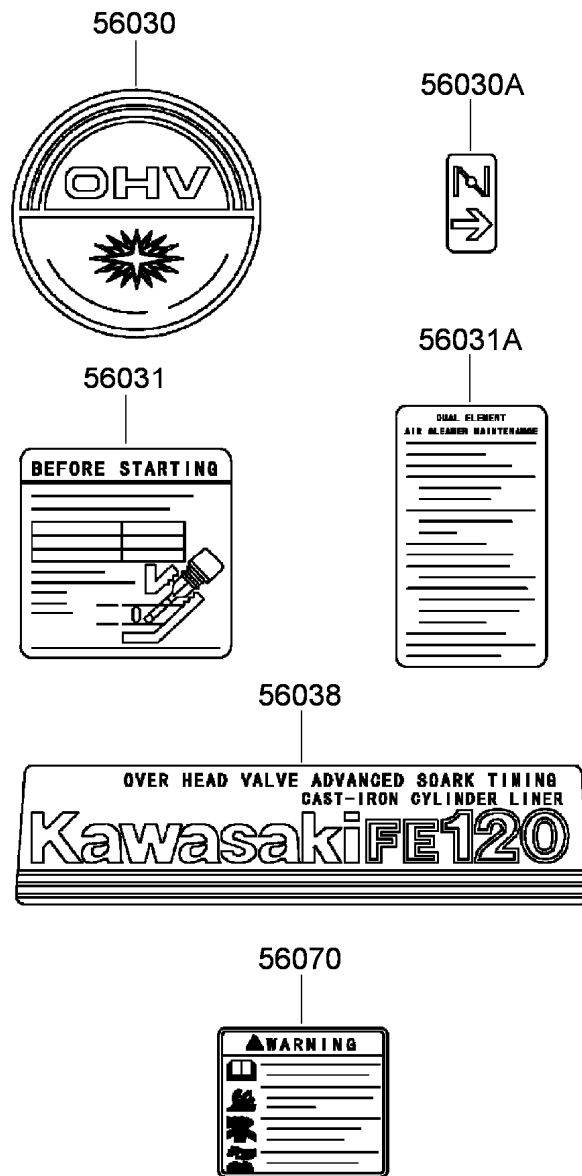
Air Filter and Muffler Assembly

<i>Ref.</i>	<i>Part Number</i>	<i>Qty.</i>	<i>Description</i>
172	115-1819	2	Bolt-Stud (6X16)
311	93-8656	2	Nut-Hex (6MM)
411	115-1816	2	Washer-Plain (5MM)
461	93-8655	2	Washer-Spring (6MM)
11010	93-8634	1	Air Filter ASM
11011	93-8635	1	Case Filter ASM
11012	93-8638	1	Cap-Filter, Air
11013	93-8636	1	Element-Filter, Air
11013A	93-8637	1	Element-Filter, Air
11060	93-8654	1	Gasket-Muffler
11060A	93-8657	1	Gasket-Filter, Air
13183	93-8642	1	Plate-Filter, Air
18049	93-8652	1	Pipe-Exhaust
32033	93-8658	1	Pipe
49070	115-1817	1	Muffler
92015	93-8631	3	Nut
92027	93-8651	1	Collar
92153	93-8640	2	Bolt
92190	93-8659	1	Tube
92200	93-8650	2	Washer (.5X18X2.0)



Starter Assembly

Ref.	Part Number	Qty.	Description
130	115-1765	3	Bolt-Flanged (6X8)
11012	94-9044	1	Cap-Grip
13070	93-8562	1	Guide-Pawl
13165	93-8554	2	Pawl-Starter, Recoil
32099	94-9046	1	Case-Starter, Recoil
46075	94-9045	1	Grip-Starter, Recoil
49080	93-8567	1	Pulley-Recoil
49088	93-8552	1	Recoil Starter ASM
59101	93-8556	1	Reel-Starter, Recoil
59106	93-8560	1	Rope (4X1500)
92009	93-8553	1	Screw
92033	93-8561	1	Ring-Retaining
92144	93-8555	2	Spring-Return
92144A	93-8557	1	Spring



Label Set

<i>Ref.</i>	<i>Part Number</i>	<i>Qty.</i>	<i>Description</i>
56030	94-9027	1	Label-Recoil
56030A	93-8687	1	Decal-Choke
56031	93-8689	1	Decal-Instructions
56031A	93-8690	1	Decal-Maintenance
56038	94-9028	1	Label-Kawasaki
56070	93-8692	1	Decal-Warning

Attachments and Accessories

For 04060 Greensmaster 1600 Mower

Product Name	Model/Part
Light Kit.....	04061
Wheel Kit	04123
Groomer Reel Kit.....	04132
Bedknife-Highcut	104-2646
Hour Meter Kit.....	105-5350
Roller Rebuild Kit.....	107-1588
Bedknife-Fairway.....	107-8181
Bedbar-Aggressive	112-9278-03
Operator Presence Kit	112-9282
Wihle Scraper Kit.....	112-9290
16-Tooth Traction Pulley Kit	115-1886
Spark Arrestor Kit	117-1441
MVP Filter and Spark Plug Kit.....	30065
.25in Clip Kit.....	65-9000
Bedknife-Tournament Cut.....	94-5885
Height-of-Cut Bar.....	94-9010
Full Roller ASM.....	95-0930
Jet-Main, No. 62 (High Altitude)	98-8735
Jet-Main, No. 60 (High Altitude)	98-8736
Extended HOC Arm.....	99-4286

Notes:



Count on it.