



Z153

Z Master[®] with 52in SFS Side Discharge Mower

Model No. 74198—23000001 and Up

Parts Catalog

Ordering Replacement Parts

To order replacement parts, please supply: the part number, the quantity, and the description of each part desired.

Understanding Reference Numbers

Each identified part in an illustration has a reference number. The reference number for a part also appears in the parts list, along with other information about the part.

This catalog uses two special reference number formats, one to indicate parts in a service assembly and another to indicate the quantity of a given part in an illustration.

Service Assembly Reference Numbers

Parts in service assemblies have reference numbers in the form **a:b**. The **a** represents the reference number of the entire service assembly and the **b** represents a sequential number unique to each part within the service assembly.

For example, a wheel assembly might be identified by reference number **6**, the tire by **6:1**, the valve by **6:2**, and the wheel by **6:3**. When you order the assembly identified by reference number **6**, you receive all parts identified by reference numbers **6:1**, **6:2**, and **6:3**. However, you may also order any part individually.

Reference numbers of this type appear in illustrations and in part lists.

Reference Numbers Indicating Quantity

In an illustration, if a reference number indicates more than one part, the reference number has the form **nX y**. The **n** represents the quantity of the part, the **X** is the multiplication symbol, and the **y** represents the reference number.

For example, in an illustration, the reference number **2X 37** means that two of the parts identified by reference number **37** are indicated.

Contents

Description	Page	Description	Page
Front Frame Assembly	4	Hydraulic System Assembly	13
Caster Wheel Assembly No. 1–634662	5	Pump, Idler and Belt Assembly	15
Front Spring Assembly No. 103–1987	6	Engine and Clutch Assembly	16
Height of Cut Assembly	7	Deck Assembly	17
Main Frame Assembly	8	Deck Spindle Assembly	18
Seat Assembly No. 1–633705	9	Idler, Pulley/Lift Strut, Chain Assembly	19
Fuel System Assembly	10	Electrical System Assembly	20
Parking Brake System Assembly	11	Electrical Schematic	21
Motion Control System Assembly	12		

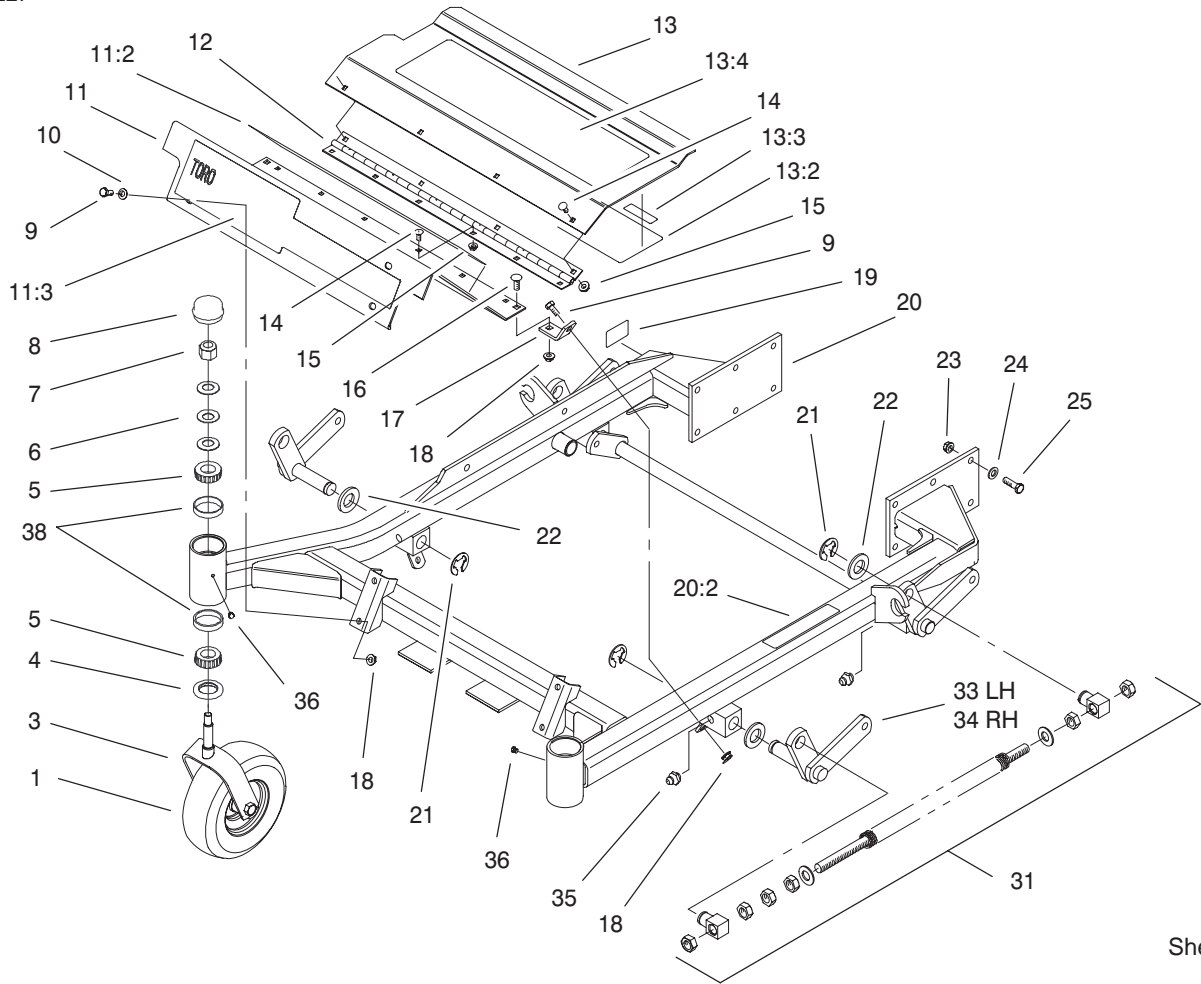
Accessories

Description	Model / Part No.	Description	Model / Part No.
52" Deck Recycler Kit	59225	4 Post ROPS Kit	79470
52" Mulching Kit	59227	Hitch Kit	99–8924
52" Striping Kit	30121	Z–Stand Kit	105–1621
Seat–Suspension, High	99–8522	Steel Bagger	30107
Blade Assembly–Atomic 18	104–1301		

Part Description Abbreviations

Part descriptions in this catalog may include the following abbreviations.

Abbreviation	Meaning	Abbreviation	Meaning
AR	as required	HYD	hydraulic
ASM	assembly	INC	incorporated
CARR	carriage	LH	left hand
DEG	degrees	NI	nylon insert
FH	flat head	PPH	Phillips pan head
GA	gauge	PTH	Phillips truss head
HF	hex flange	PTO	power take off
HH	hex head	RH	right hand
HHF	hex head flange	SFH	slotted fillister head
HLH	hex lag head	SHH	slotted hex head
HJ	hex jam	SQH	square head
HOC	height-of-cut	SHWH	slotted hex washer head
HS	hex socket	SPH	slotted pan head
HSBH	hex socket button head	SRH	slotted round head
HSFH	hex socket flat head	STD	standard
HSH	hex socket head	TAP	self tapping
HWH	hex washer head	TTH	Torx truss head
HWHTF	hex washer head thread forming	WH	wing head

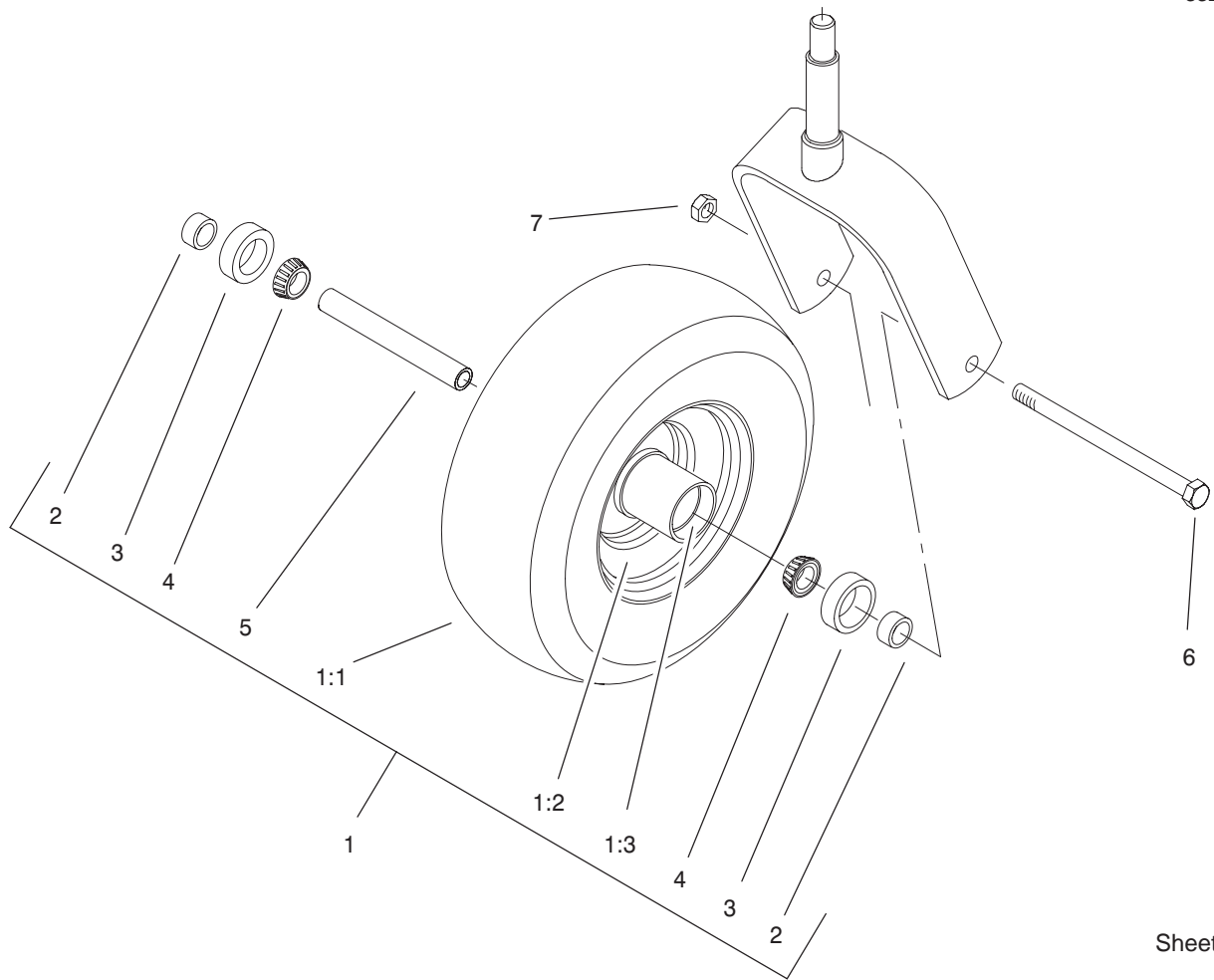


Sheet No.:2

Front Frame Assembly

Ref. No.	Part No.	Qty.	Description
1	1-634662	2	Caster Wheel ASM
3	1-632511-01	2	Caster
4	1-543511	2	Seal-Grease
5	254-94	4	Bearing-Cone, Taper
6	1-633508	6	Washer-Bellville
7	3296-51	2	Nut-Lock, NI
8	1-543513	2	Cap-Grease
9	322-3	6	Screw-HH
10	3256-23	4	Washer-Flat
11	99-3940	1	Floorpan-Front
11:2	1-633553	1	Pad-Antiskid
11:3	1-633737	1	Decal-Z Master
12	1-653049	1	Hinge-Floorpan
13	99-3930	1	Footrest ASM
13:2	99-3924	1	Decal-Service
13:3	98-5954	1	Decal-Missing, Cover
13:4	1-633553	1	Pad-Antiskid
14	3229-10	10	Screw-CARR
15	32128-33	10	Nut-HF
16	3230-1	2	Screw-CARR
17	99-3870-01	2	Bracket-Floorpan
18	32128-20	8	Nut-HF
19	105-2625	1	Decal-Safety STD
20	99-3931	1	Front Frame ASM
20:2	1-633818	1	Decal-Warning
21	32151-103	6	Ring-Snap

Ref. No.	Part No.	Qty.	Description
22	3256-29	6	Washer-Flat
23	3290-357	12	Nut-HHF
24	98-5975	12	Washer-Belleville
25	323-7	12	Screw-HH
31	103-1987	2	Front Spring ASM
33	99-3871-01	1	LH Lift Arm ASM
34	99-3872-01	1	RH Lift Arm ASM
35	302-19	4	Fitting-Grease
36	1-811010	2	Plug
38	254-72	4	Bearing-Cup, Tapered

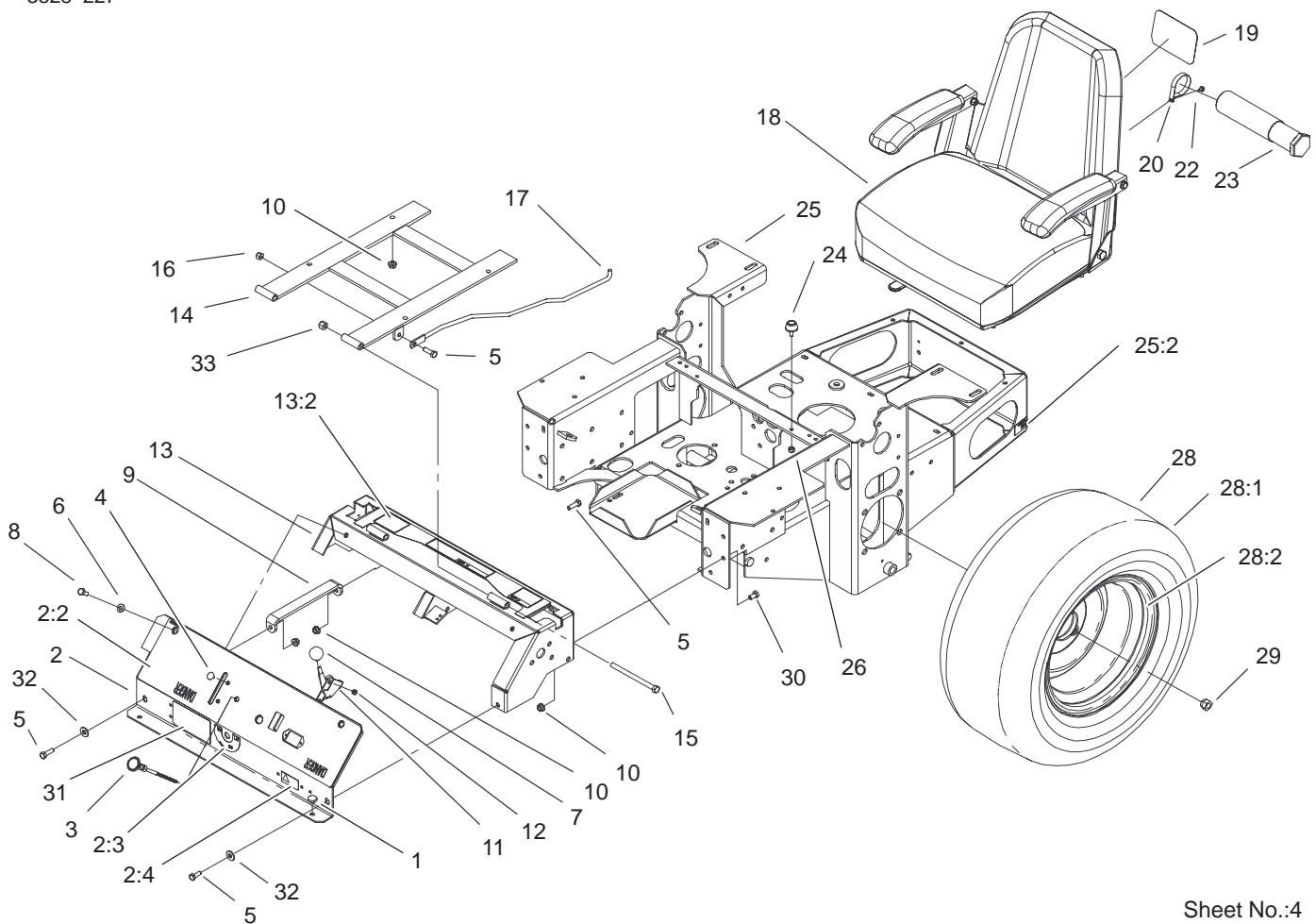


Sheet No.:A1
C-3038

Caster Wheel Assembly No. 1-634662

Ref. No.	Part No.	Qty.	Description
1	1-633582	1	Wheel & Tire ASM
1:1	1-633002	1	Tire
1:2	1-633583	1	Wheel
1:3	1-633584	2	Bearing-Cup
2	1-633581	2	Spacer-Bearing
3	1-633580	2	Seal-Bearing
4	1-633585	2	Bearing-Cone, Taper
5	1-633579	1	Spacer-Caster, Front
6	325-36	1	Screw-HH
7	3296-45	1	Nut-Lock, NI

Ref. No.	Part No.	Qty.	Description

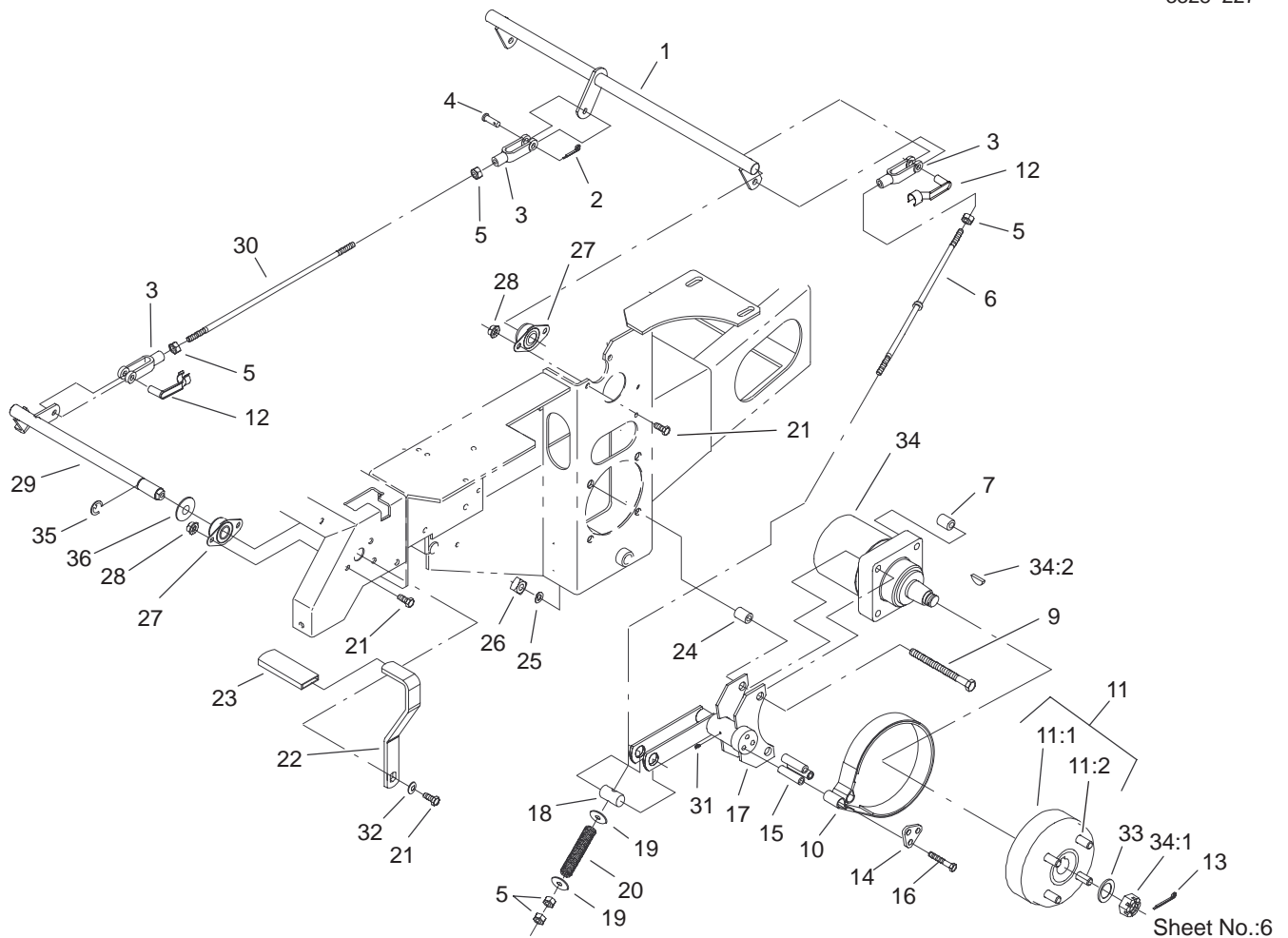


Sheet No.:4

Main Frame Assembly

Ref. No.	Part No.	Qty.	Description
1	1-513658	2	Bumper-Catcher, Grass
2	99-3932	1	Control Panel ASM
2:2	99-3942	1	Decal-Panel, Control
2:3	103-0262	1	Decal-Valve, Fuel
2:4	98-4387	1	Decal-Protection, Ear
3	1-603336	1	Control-Choke
4	1-807513	2	Bolt-CARR
5	322-5	3	Screw-HH
6	3256-23	2	Washer-Flat
7	1-513592	1	Knob-Ball
8	322-3	3	Screw-HH
9	1-653089-03	1	Bracket
10	32128-20	12	Nut-HF
11	1-633696	1	Cable-Throttle
12	3296-2	2	Nut-Lock
13	105-6123	1	Console ASM
13:2	103-1997	1	Decal-Console, Top
14	1-632187-03	1	Frame-Seat
15	323-39	2	Screw-HH
16	3296-29	1	Nut-Lock, NI
17	103-1731	1	Rod-Retainer, Seat
18	1-633705	1	Seat ASM
19	99-4693	1	Decal-Toro
20	2412-120	2	R-Clamp
22	32104-76	2	Screw

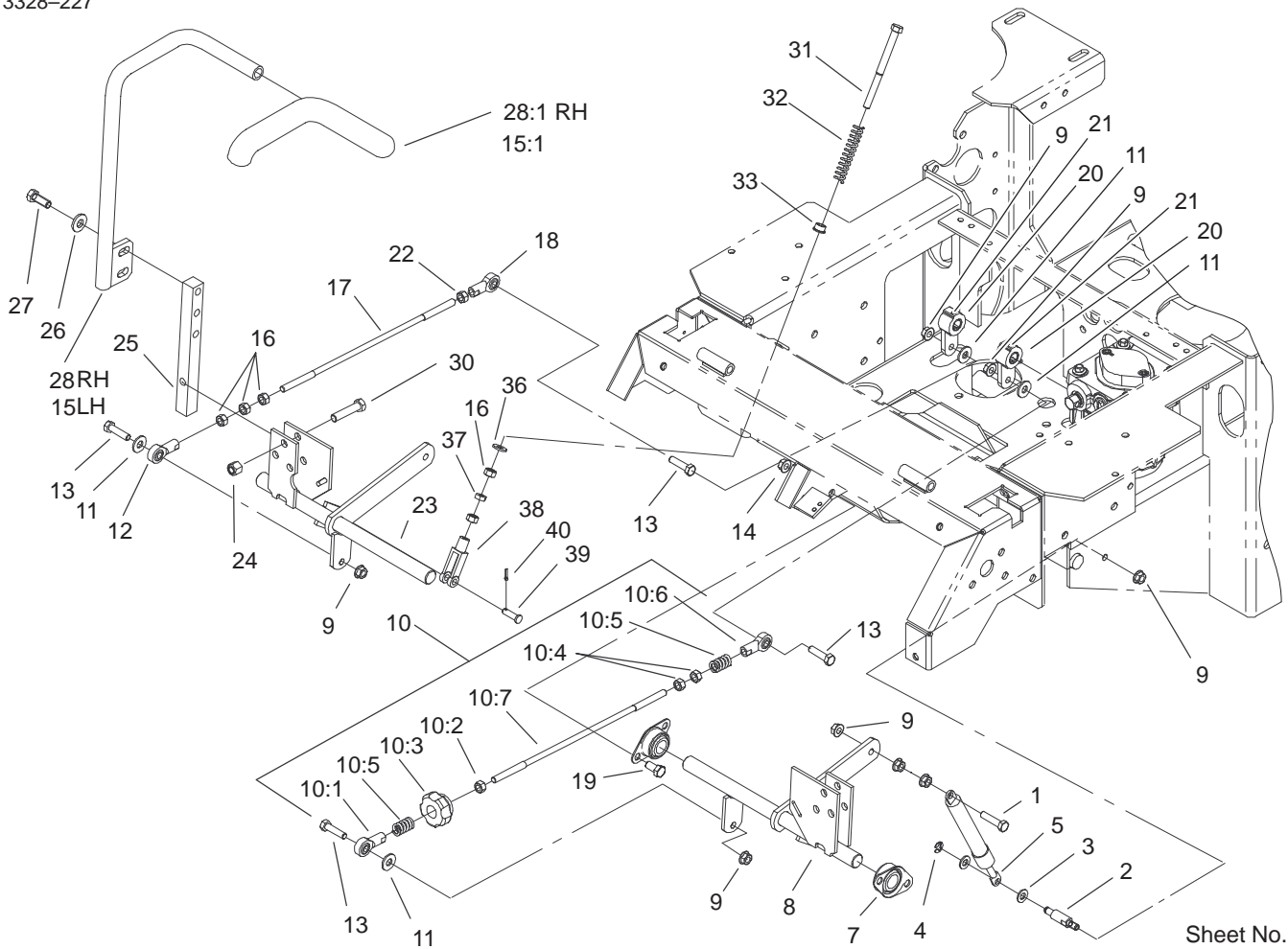
Ref. No.	Part No.	Qty.	Description
23	74-0720	1	Tube-Manual
24	1-523420	2	Bumper
25	105-3649	1	Main Frame ASM
25:2	65-2690	2	Decal-Surface, Hot
26	3296-42	2	Nut-Lock, NI
28	1-653159	2	Wheel And Tire ASM
28:1	1-653160	1	Tire
28:2	1-653161	1	Wheel
29	242-50	8	Nut-Lug
30	322-2	6	Screw-HH
31	100-3969	1	Decal-Z153
32	3256-3	2	Washer-Flat
33	3296-39	2	Nut-Lock, NI



Parking Brake System Assembly

Ref. No.	Part No.	Qty.	Description	Ref. No.	Part No.	Qty.	Description
1	1-652073-03	1	Crank-Brake, Park	26	103-0131	8	Nut-Square
2	3272-10	1	Pin-Cotter	27	1-633102	4	Bearing-Flange, Side
3	1-633131	4	Yoke-Linkage, Brake	28	3290-357	8	Nut-HHF
4	1-808285	1	Pin-Clevis	29	103-3116	1	Shaft-Brake, Parking
5	3219-3	8	Nut-HH	30	1-653061	1	Linkage-Handle, Brake
6	103-0356	2	Rod-Brake	31	1481	2	Fitting-Grease
7	1-653068	4	Spacer-Wheel	32	98-5975	1	Washer-Belleville
9	325-13	8	Screw-HH	33	1-523157	2	Washer-Spacer
10	103-0355	2	Band-Brake	34	1-523328	2	Motor-Wheel
11	103-0590	2	Hub-Wheel	34:1	1-809036	1	Nut-HH
11:1	103-0589	1	Hub-Wheel	34:2	3257-42	1	Key-Woodruff
11:2	1-633926	4	Stud-Wheel	*34:99	103-2748	1	Drive Link Kit
12	103-2399	3	Pin-Spring, Clevis	*34:99	1-000139	1	Bearing Kit
13	1-806800	2	Pin-Cotter	*34:99	1-000099	1	Seal Kit
14	103-0374	2	Retainer-Band, Brake	35	32151-48	1	E-Ring
15	103-0384	6	Spacer	36	3256-28	1	Washer-Flat
16	322-9	6	Screw-HH				
17	103-0352-03	2	Bracket-Brake				
18	1-633144	2	Pin-Trunion				
19	3256-4	4	Washer-Flat				
20	1-633454	2	Spring-Brake				
21	323-4	9	Screw-HH				
22	1-653074-03	1	Handle-Brake, Park				
23	1-633268	1	Grip-Lever, Brake				
24	1-653069	4	Spacer-Wheel				
25	3253-7	8	Washer-Lock				

* Not illustrated

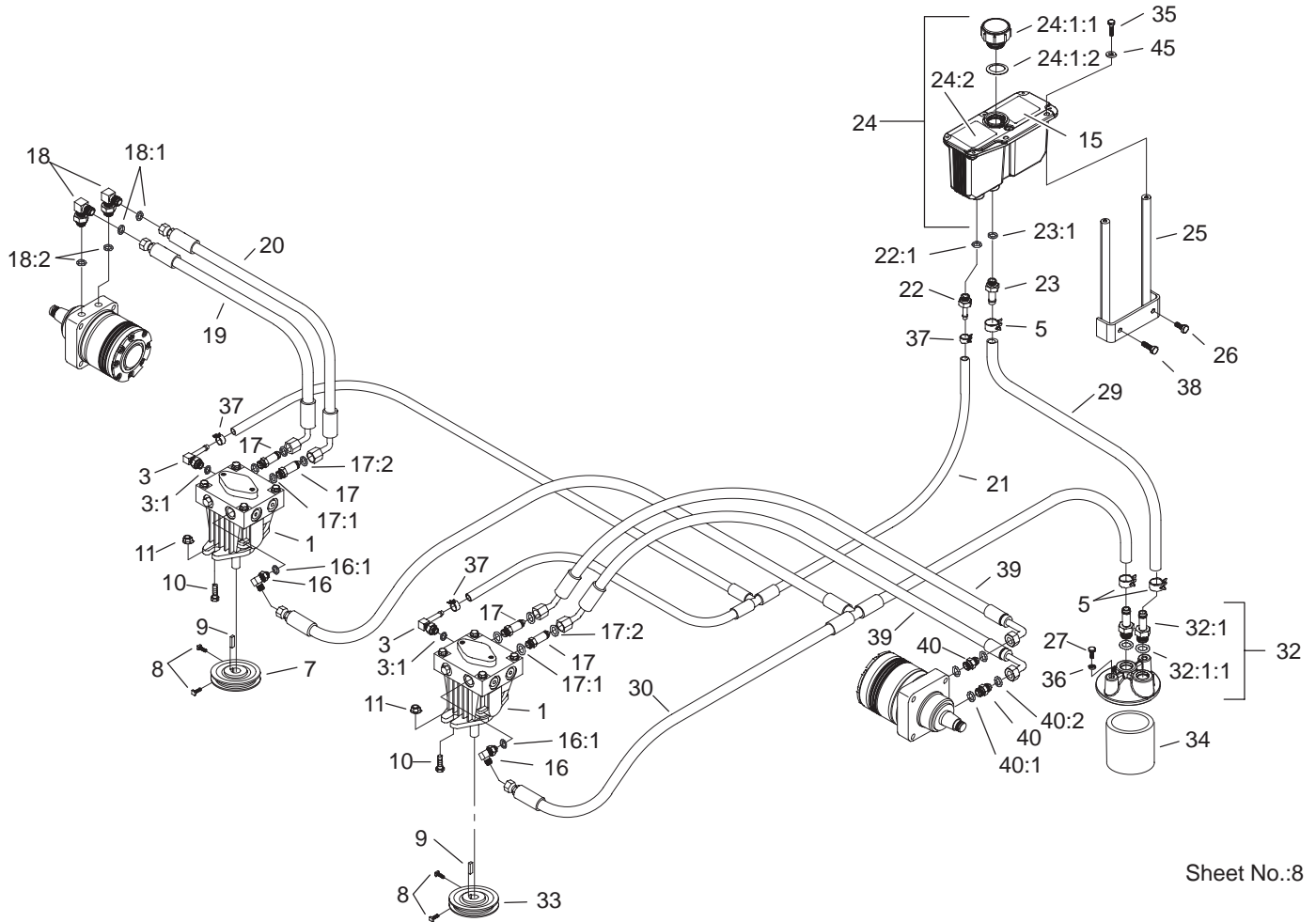


Sheet No.:7

Motion Control System Assembly

Ref. No.	Part No.	Qty.	Description
1	1-403180	2	Screw-HH
2	1-653316	2	Pin-Damper
3	3256-23	4	Washer-Flat
4	32120-35	2	E-Ring
5	103-2913	2	Damper-Control, Motion
7	1-633102	4	Bearing-Flange, Side
8	103-2199	1	LH Motion Control ASM
9	32128-20	12	Nut-HF
10	103-3063	1	ASM, Tracking Rod Lhp
10:1	1-543017	1	Balljoint-RH
10:2	3219-2	1	Nut-Hex
10:3	103-3060	1	Knob-Tracking
10:4	1-804524	2	Nut
10:5	1-323245	2	Spring-Compression
10:6	1-633152	1	Balljoint-Thread, LH
10:7	103-3066	1	Link-Rod, Tracking
11	3256-3	4	Washer-Flat
12	1-543017	1	Balljoint-RH
13	322-6	4	Screw-HH
14	3290-357	8	Nut-HHF
15	103-0631	1	LH Lever ASM
15:1	1-633257	1	Grip-Control, Motion
16	3219-2	7	Nut-Hex

Ref. No.	Part No.	Qty.	Description
17	1-653046	1	Linkage-Pump/Lever
18	1-633152	1	Balljoint-Thread, LH
19	323-4	8	Screw-HH
20	1-653092	2	Arm-Control, Pump
21	1-803022	2	Screw-Set
22	1-804524	1	Nut
23	103-2200	1	RH Motion Control ASM
24	3296-39	6	Nut-Lock, NI
25	103-0407	2	Arm-Shaft, Control
26	98-5975	4	Washer-Belleville
27	323-6	4	Screw-HH
28	103-0632	1	RH Lever ASM
28:1	1-633257	1	Grip-Control, Motion
30	323-9	6	Screw-HH
31	1-603737	2	Bolt-Return, Neutral
32	1-603807	2	Spring-Return, Neutral
33	1-603735	2	Bushing-Flanged
36	3256-2	2	Washer-Flat
37	3220-2	2	Nut
38	1-303105	2	Yoke-Adjustable
39	1-808280	2	Pin-Clevis
40	3272-5	2	Pin-Cotter



Sheet No.:8

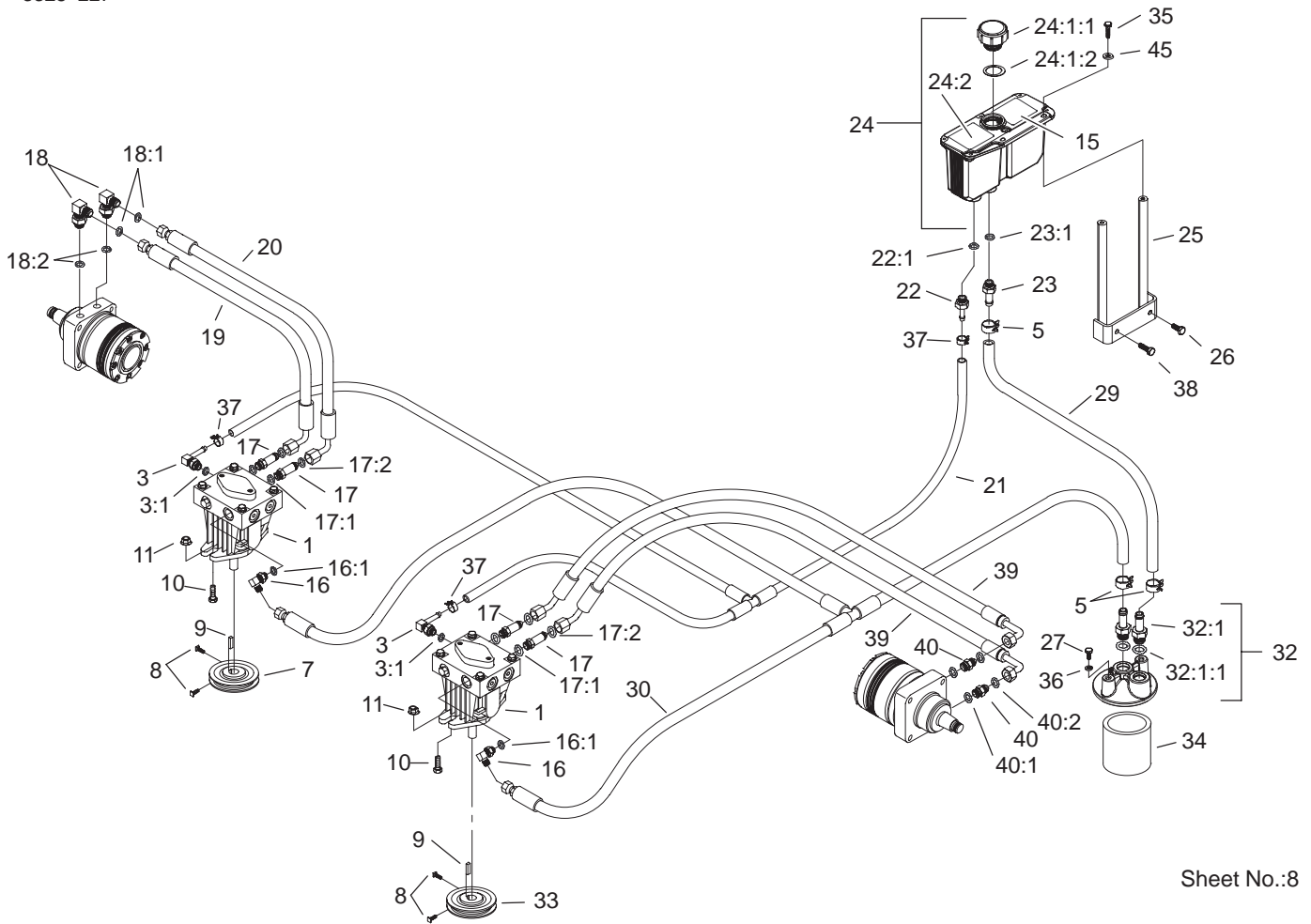
Hydraulic System Assembly

Ref. No.	Part No.	Qty.	Description
1	103-1942	2	Pump-Hydraulic
*1:1	105-6184	1	Seal Overhaul Kit
*1:2	105-6185	1	Plate-Valve
*1:8	103-2664	1	Input Shaft Kit
*1:9	103-2665	1	Thrust Bearing Kit
*1:10	103-2666	1	Cylinder Block Kit
*1:14	106-2053	1	Shock Valve Kit
3	103-1799	2	Elbow-90°
3:1	237-42	1	O-Ring
5	103-1988	3	Clamp-Hose
7	1-413010	2	Sheave W/Hub
8	1-803050	4	Screw-Set
9	1-807272	2	Key
10	323-7	4	Screw-HH
11	3290-357	4	Nut-HHF
16	103-1802	2	Elbow-HYD, 90°
16:1	237-42	1	O-Ring
17	103-1940	4	Adapter-HYD, Straight
17:1	237-79	1	O-Ring
17:2	1-603992	1	O-Ring
18	1-633605	2	Fitting-HYD, 90°
18:1	1-603992	1	O-Ring
18:2	237-80	1	O-Ring
19	1-653186	1	Hose-Front
20	1-653187	1	Hose-RH, Rear
21	103-2357	1	Hydraulic Hose ASM

Ref. No.	Part No.	Qty.	Description
22	103-1801	1	Adapter-Straight
22:1	237-42	1	O-Ring
23	103-1912	1	Adapter-Straight
23:1	237-42	1	O-Ring
24	103-1947	1	HYD Reservoir ASM
☆24:1		1	Reservoir-HYD
24:1:1	103-1948	1	Cap-Reservoir, HYD
24:1:2	103-1949	1	Gasket-Cap
24:2	1-523552	1	Decal-Tank, HYD
25	103-2644	1	Decal-Exhaust
26	322-3	1	Screw-HH
27	321-3	2	Screw-HH
29	103-3077	1	Hydraulic Hose ASM
30	103-2930	1	Hydraulic Hose ASM
32	103-2889	1	Filter Head ASM
32:1	103-1912	2	Adapter-Straight
32:1:1	237-42	1	O-Ring
33	32128-20	2	Nut-HF
34	1-633750	1	Filter-HYD
34	1-633752	1	Filter-HYD, Winter
35	321-6	2	Screw-HH
37	103-1716	3	Clamp-Hose
39	103-1680	2	Hose-LH
40	1-603991	2	Fitting-Straight
40:1	237-80	1	O-Ring
40:2	1-603992	1	O-Ring

* Not illustrated

☆ Not serviced separately

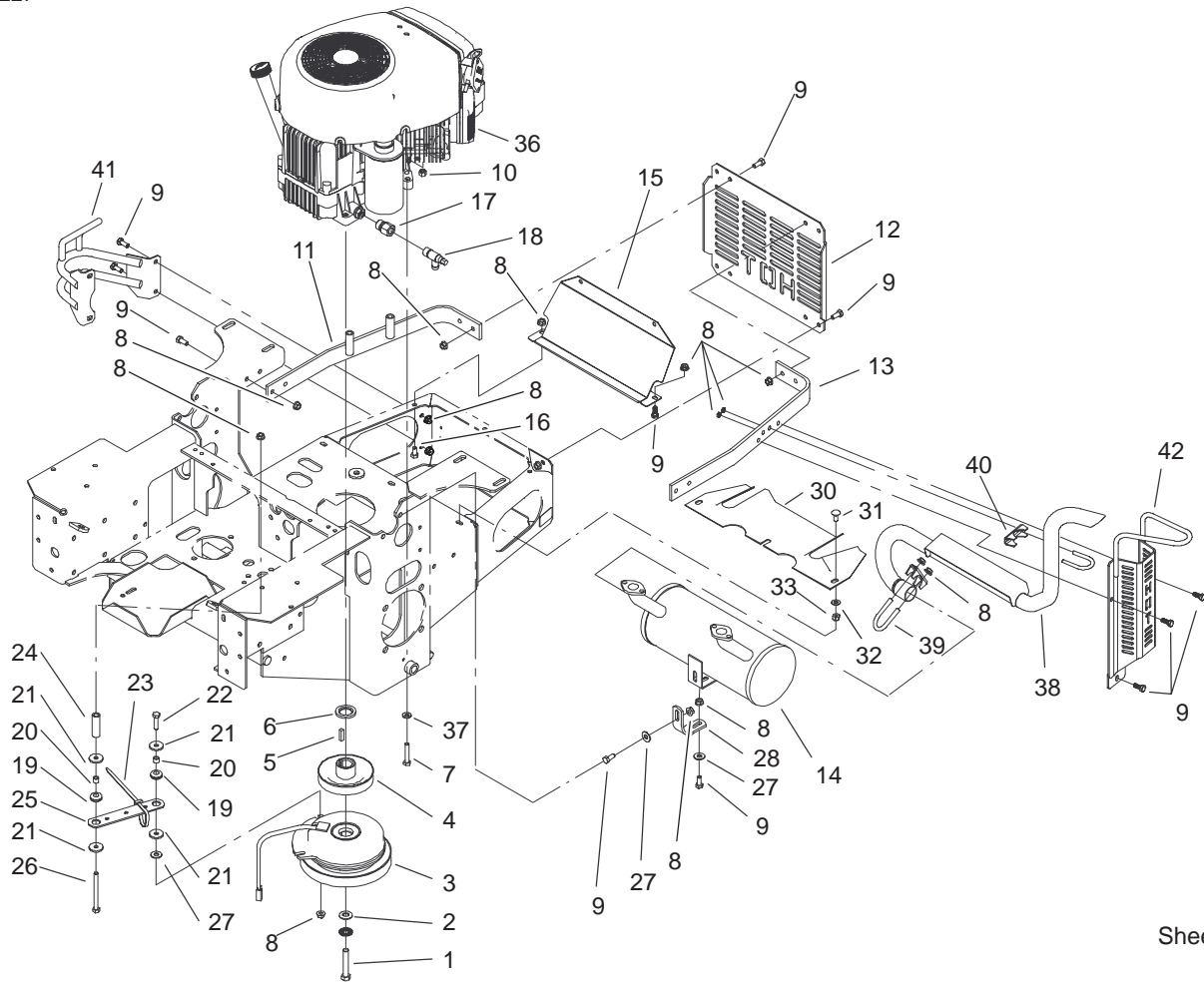


Sheet No.:8

Hydraulic System Assembly (Continued)

Ref. No.	Part No.	Qty.	Description
45	3256-22	2	Washer-Flat

Ref. No.	Part No.	Qty.	Description
----------	----------	------	-------------



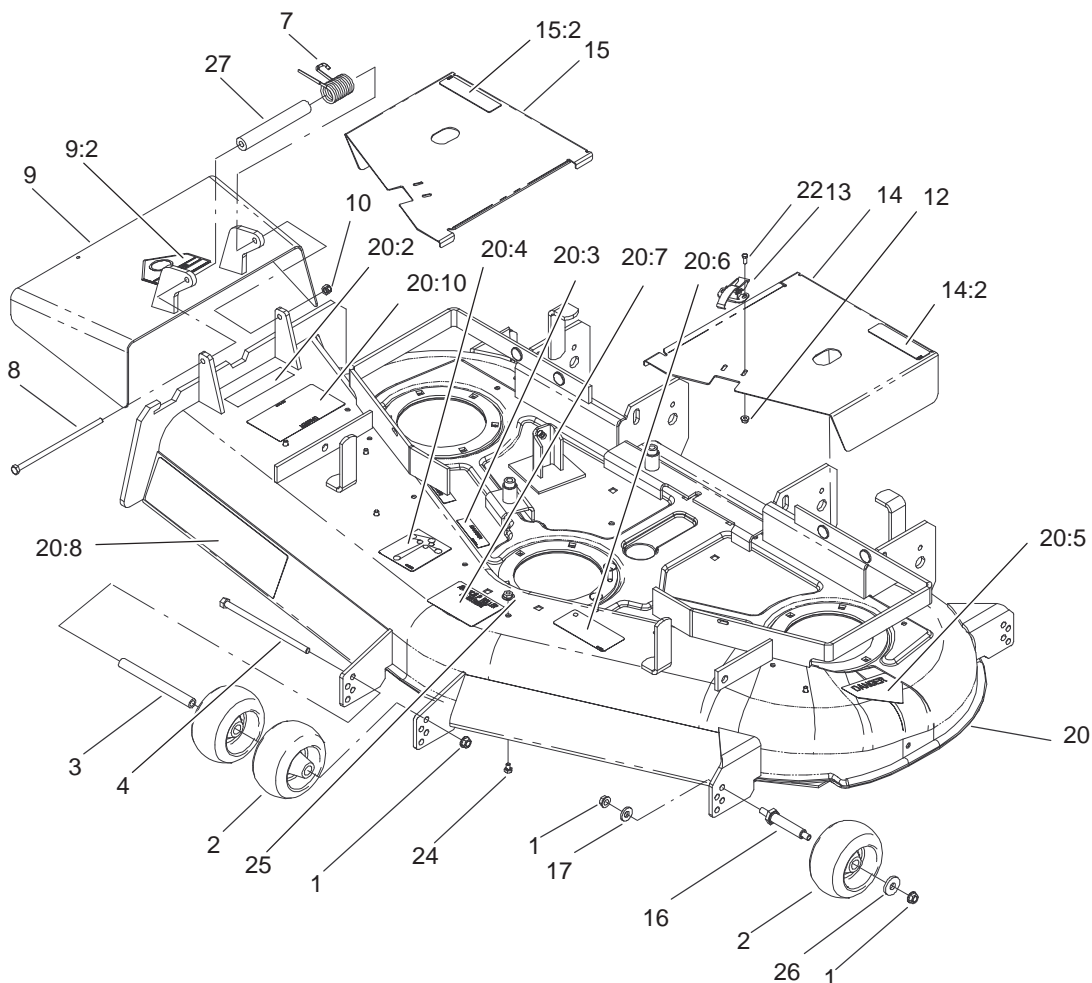
Sheet No.:10

Engine and Clutch Assembly

Ref. No.	Part No.	Qty.	Description
1	3212-12	1	Screw-HH
2	1-603610	2	Washer-Spring
3	103-0690	1	Clutch
4	1-653035	1	Sheave W/Hub
5	1-807259	1	Key
6	103-2308	1	Spacer-Crankshaft
7	322-9	4	Screw-HH
8	32128-20	27	Nut-HF
9	322-3	21	Screw-HH
10	3296-29	4	Nut-Lock, NI
11	103-3078-03	1	Strap-Guard, Engine RH
12	1-653095-03	1	Shield-Engine
13	103-2751-03	1	Strap-Guard, Engine LH
14	103-1322	1	Muffler
15	103-2560-03	1	Shield-Heat
16	322-2	4	Screw-HH
17	103-1966	1	Adapter
18	103-1965	1	Valve-Drain, Oil
19	1-633630	2	Grommet-Brake
20	1-633545	2	Spacer-Grommet
21	1-613235	4	Washer
22	322-6	1	Screw-HH
23	1-303335	2	Tie-Plastic
24	103-2614	1	Spacer

Ref. No.	Part No.	Qty.	Description
25	1-633543-03	1	Strap-Clutch, Brake
26	322-22	1	Screw-HH
27	3256-3	3	Washer-Flat
28	1-653196	1	Bracket-Support, Muffler
30	1-653539-03	1	Shield-Heat
31	3230-1	3	Screw-CARR
32	3256-23	3	Washer-Flat
33	3296-29	3	Nut-Lock, NI
☆36		1	Engine-Kawasaki, Fh680v-Fs10
37	1-303334	2	Washer-Spring
38	103-2599	1	Tailpipe
39	103-2630	1	Clamp
40	103-2631	1	Clamp
41	103-2564-03	1	RH Exhaust Guard ASM
42	103-2566-03	1	LH Exhaust Guard ASM

☆ Not serviced separately



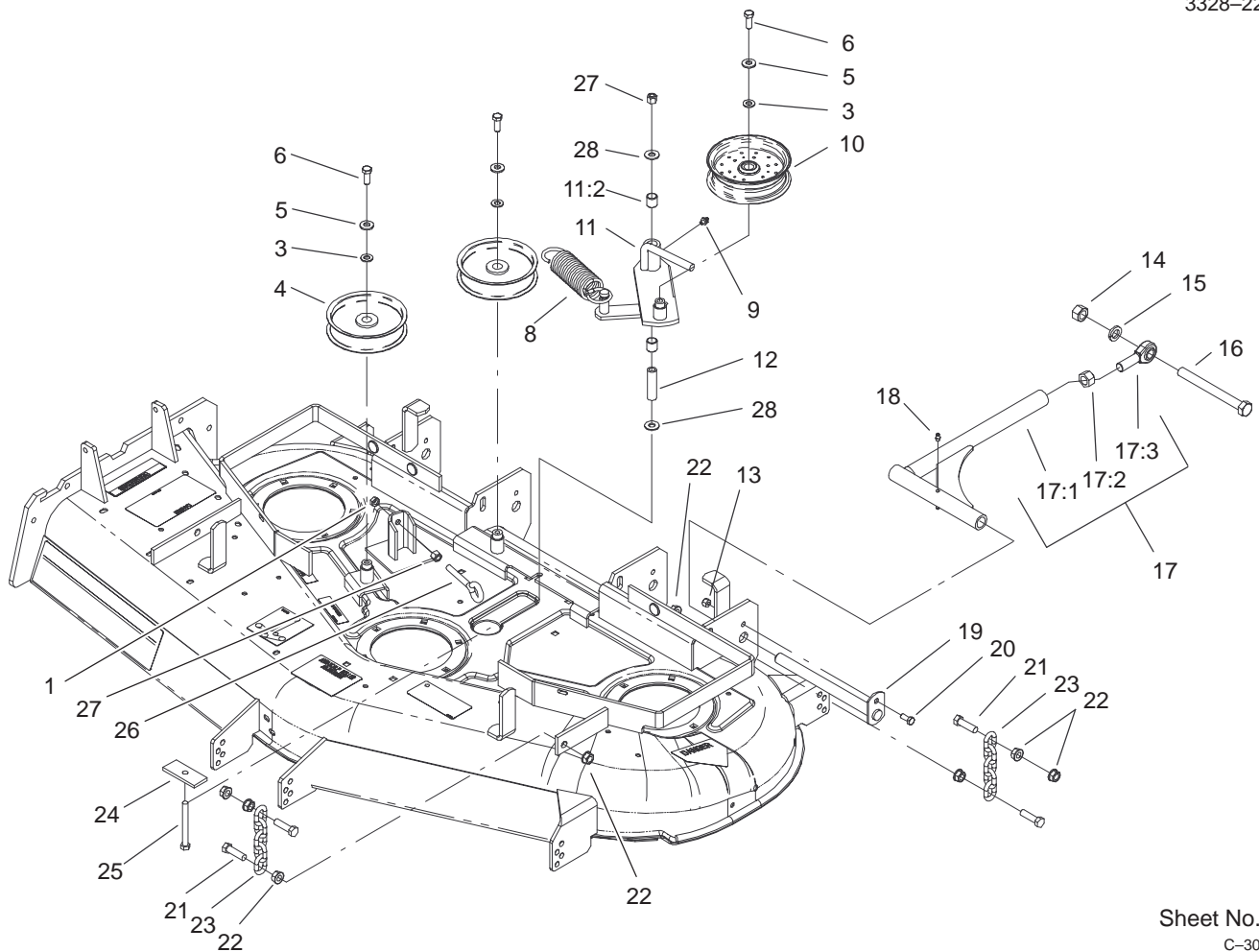
Sheet No.:14

Deck Assembly

Ref. No.	Part No.	Qty.	Description
1	3290-357	9	Nut-HHF
2	68-2730	6	Wheel-Gage
3	98-5967	1	Spacer
4	323-28	1	Screw-HH
7	104-8554	1	Spring-Torsion
8	322-50	1	Screw-HH
9	105-4623	1	Deflector ASM
9:2	93-1122	1	Decal-Danger
10	3296-29	1	Nut-Lock, NI
12	32128-17	4	Nut-Lock, Flange
13	249-21	2	Clamp-Slotted
14	99-3896	1	LH Cover ASM
14:2	67-5360	1	Decal-Danger
15	99-3895	1	RH Cover ASM
15:2	67-5360	1	Decal-Danger
16	99-2842	4	Spacer
17	98-5975	4	Washer-Belleville
20	105-1695	1	Deck ASM
☆20	106-5875	1	Z100/52" Deck ASM W/Decals
20:2	104-8569	1	Decal-Warning
20:3	98-5954	3	Decal-Missing, Cover
20:4	99-3943	1	Decal-Routing, Belt
20:5	43-8480	1	Decal-Danger
20:6	93-7818	1	Decal-Torque, Blade Bolt

Ref. No.	Part No.	Qty.	Description
20:7	98-3798	1	Decal-Wheel, Gage
20:8	98-5953	1	Decal-Sfs
20:10	66-1340	1	Decal-Danger
22	3290-321	4	Screw-HWH
24	321-1	6	Screw-HH
25	32128-33	6	Nut-HF
26	1-373034	4	Washer
27	105-4622	1	Spacer

☆ Not serviced separately

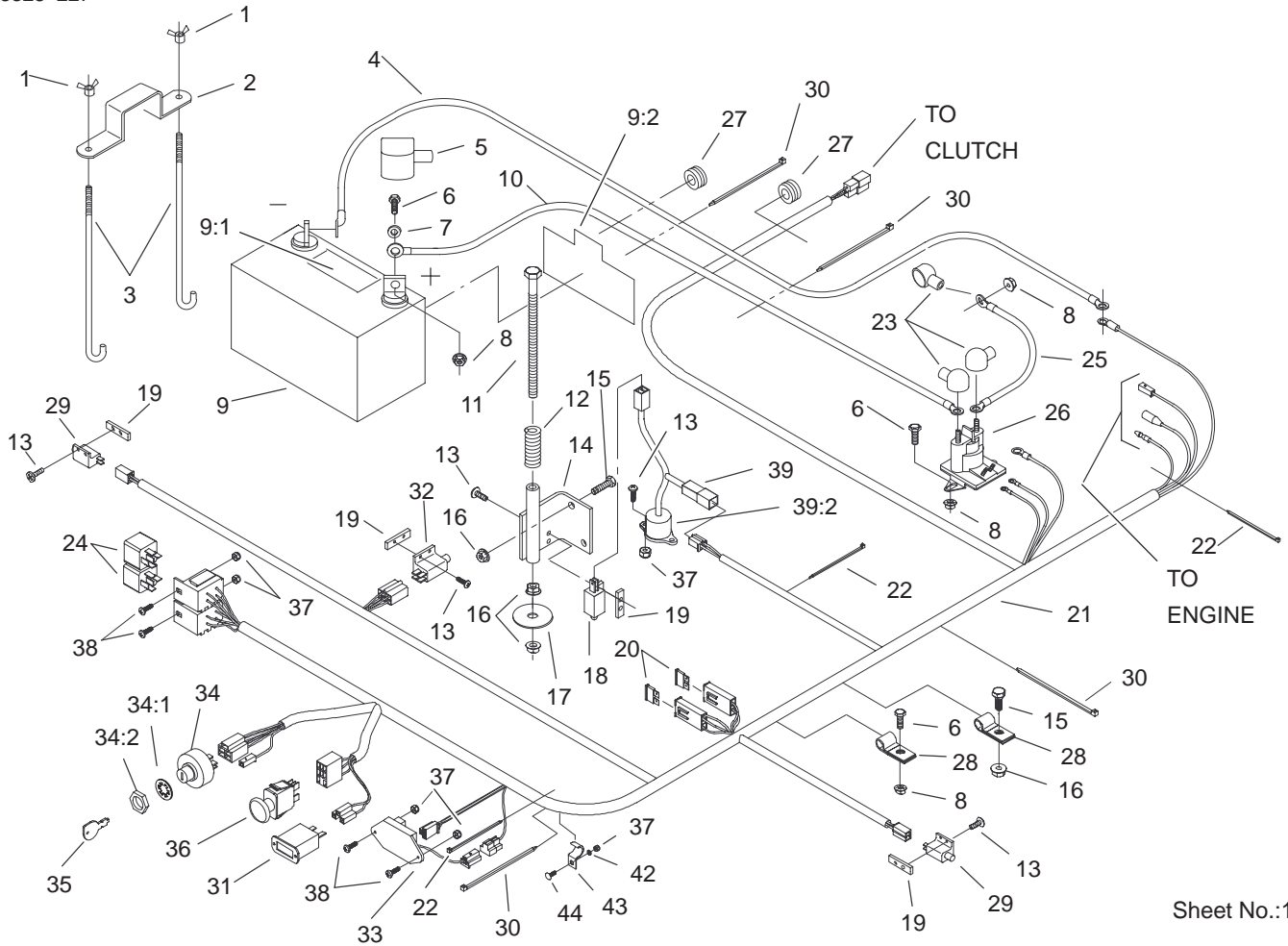


Sheet No.:16
C-3040

Idler, Pulley/Lift Strut, Chain Assembly

Ref. No.	Part No.	Qty.	Description
1	3217-7	1	Nut-Hex
3	3256-24	3	Washer-Flat
4	1-613098	2	Pulley-Idler
5	98-5975	3	Washer-Belleville
6	323-6	3	Screw-HH
8	1-633151	1	Spring-Extension
9	302-40	1	Fitting-Grease
10	1-413099	1	Pulley-Idler
11	99-3879	1	Idler Arm ASM
11:2	1-513034	2	Sleeve-Bearing
12	1-603384	1	Bushing-Pivot, Idler
13	3296-29	2	Nut-Lock, NI
14	3217-11	2	Nut-Hex
15	3253-8	2	Washer-Lock
16	1-800344	2	Screw
17	103-1081	2	Strut ASM
17:1	103-1072-01	1	Strut-Deck
17:2	3219-6	1	Nut-Hex
17:3	1-633029	1	Balljoint-Spherical
18	302-19	4	Fitting-Grease
19	1-632199-01	2	Pin-Strut, Deck
20	322-3	2	Screw-HH
21	1-800811	8	Screw-Cap, HH
22	32128-37	16	Nut-HF
23	1-633447	4	Chain-Lift, Deck
24	99-3946-01	1	Plate-Retainer, Bolt

Ref. No.	Part No.	Qty.	Description
25	1-800805	1	Screw-HH
26	94-2547	1	Bolt-Eye
27	3296-39	2	Nut-Lock, NI
28	1-809107	2	Washer-Hardened



Sheet No.:19

Electrical System Assembly

Ref. No.	Part No.	Qty.	Description
1	1-543792	2	Wingnut
2	1-633652-03	1	Strap-Holddown
3	1-633651	2	Bolt-Holddown
4	103-0705	1	Cable-Ground, Negative
5	1-543391	1	Insulator-Battery
6	321-4	5	Screw-HH
7	3256-2	2	Washer-Flat
8	32128-33	6	Nut-HF
9	105-1692	1	Battery
9:1	104-4163	1	Decal-Battery
9:2	104-4164	1	Decal-Battery
10	103-0707	1	Cable-Battery, Positive
11	1-800282	1	Screw-HH
12	1-523415	1	Spring-Switch, Seat
13	3290-500	10	Screw-PPH
14	1-652072-03	1	Bracket-Switch, Seat
15	322-3	3	Screw-HH
16	32128-20	5	Nut-HF
17	1-653036	1	Washer
18	1-513152	1	Switch-Closed, Normally
19	1-633181	4	Plate-Tapped
20	1-816001	2	Fuse-Type, Blade
21	103-0623	1	Harness-Wire

Ref. No.	Part No.	Qty.	Description
22	1-303287	3	Tie-Plastic
23	1-543393	3	Insulator-Solenoid
24	1-643275	2	Relay
25	1-633306	1	Wire-Starter
26	1-513075	1	Switch-Solenoid
27	1-543286	2	Grommet
28	1-633396	2	Clip-Loom
29	1-513051	2	Switch-Open, Normally
30	1-303335	4	Tie-Plastic
31	1-513374	1	Meter-Hour
32	1-633111	1	Switch
33	100-6186	1	Module-Delay, Seat
34	88-9830	1	Key Switch ASM
34:1	3254-5	1	Washer-Lock, Internal
34:2	218-461	1	Nut-HH
35	63-8360	2	Key-Ignition
36	1-633673	1	Switch-Delta
37	3296-2	7	Nut-Lock
38	1-807513	4	Bolt-CARR
39	1-644427	1	Tilt Switch ASM
39:2	1-643401	1	Decal-Switch, Mercury
42	3256-14	1	Washer-Flat
43	103-1193	1	Clip-Half, Loom
44	1-807533	1	Bolt-CARR

