



## Z287L

### Z-Master<sup>®</sup> with 62in SFS Side Discharge Mower

Model No. 74213—230000001 and Up

Model No. 74236—230000001 and Up

## Parts Catalog

### Ordering Replacement Parts

To order replacement parts, please supply: the part number, the quantity, and the description of each part desired.

### Understanding Reference Numbers

Each identified part in an illustration has a reference number. The reference number for a part also appears in the parts list, along with other information about the part.

This catalog uses two special reference number formats, one to indicate parts in a service assembly and another to indicate the quantity of a given part in an illustration.

### Service Assembly Reference Numbers

Parts in service assemblies have reference numbers in the form **a:b**. The **a** represents the reference number of the entire service assembly and the **b** represents a sequential number unique to each part within the service assembly.

For example, a wheel assembly might be identified by reference number **6**, the tire by **6:1**, the valve by **6:2**, and the wheel by **6:3**. When you order the assembly identified by reference number **6**, you receive all parts identified by reference numbers **6:1**, **6:2**, and **6:3**. However, you may also order any part individually.

Reference numbers of this type appear in illustrations and in part lists.

### Reference Numbers Indicating Quantity

In an illustration, if a reference number indicates more than one part, the reference number has the form **nX y**. The **n** represents the quantity of the part, the **X** is the multiplication symbol, and the **y** represents the reference number.

For example, in an illustration, the reference number **2X 37** means that two of the parts identified by reference number **37** are indicated.

## Contents

<b>Description</b>	<b>Page</b>	<b>Description</b>	<b>Page</b>
Front Frame Assembly .....	4	Cylinder/Crankcase Assembly	
Caster and Wheel Assembly .....	5	Kawasaki FD750D–AS03 .....	28
Main Frame Assembly .....	6	Piston/Crankshaft Assembly	
Brake and Wheel Hub Assembly .....	7	Kawasaki FD750D–AS03 .....	29
Steering Controls Assembly .....	8	Valve/Camshaft Assembly	
Hydraulic System Assembly .....	9	Kawasaki FD750D–AS03 .....	30
Seat Assembly .....	11	Lubrication Equipment Assembly	
Seat Assembly No. 99–8522 (only on: 74213) .	12	Kawasaki FD750D–AS03 .....	31
Seat Assembly No. 1–633705 (only on: 74236)	13	Cooling Equipment Assembly	
Deck Connection Assembly .....	14	Kawasaki FD750D–AS03 .....	32
Drive Idler Assembly .....	15	Electric Equipment Assembly	
Z–Stand Assembly .....	16	Kawasaki FD750D–AS03 .....	33
Engine, Clutch and Air Cleaner Assembly .....	17	Control Equipment Assembly	
Cooling System Assembly .....	18	Kawasaki FD750D–AS03 .....	34
Hood Assembly .....	19	Carburetor Assembly	
Cooling Mounting Frame Assembly .....	20	Kawasaki FD750D–AS03 .....	35
Fuel System Assembly .....	21	Air Filter/Muffler Assembly	
Electrical System Assembly .....	22	Kawasaki FD750D–AS03 .....	36
Deck, Decal and Wheel Assembly .....	24	Fuel Tank/Fuel Valve Assembly	
Deck, Pulley and Deflector Assembly .....	25	Kawasaki FD750D–AS03 .....	37
Deck, Belt and Idler Arm Assembly .....	26	Starter Assembly	
Electrical Schematic .....	27	Kawasaki FD750D–AS03 .....	38

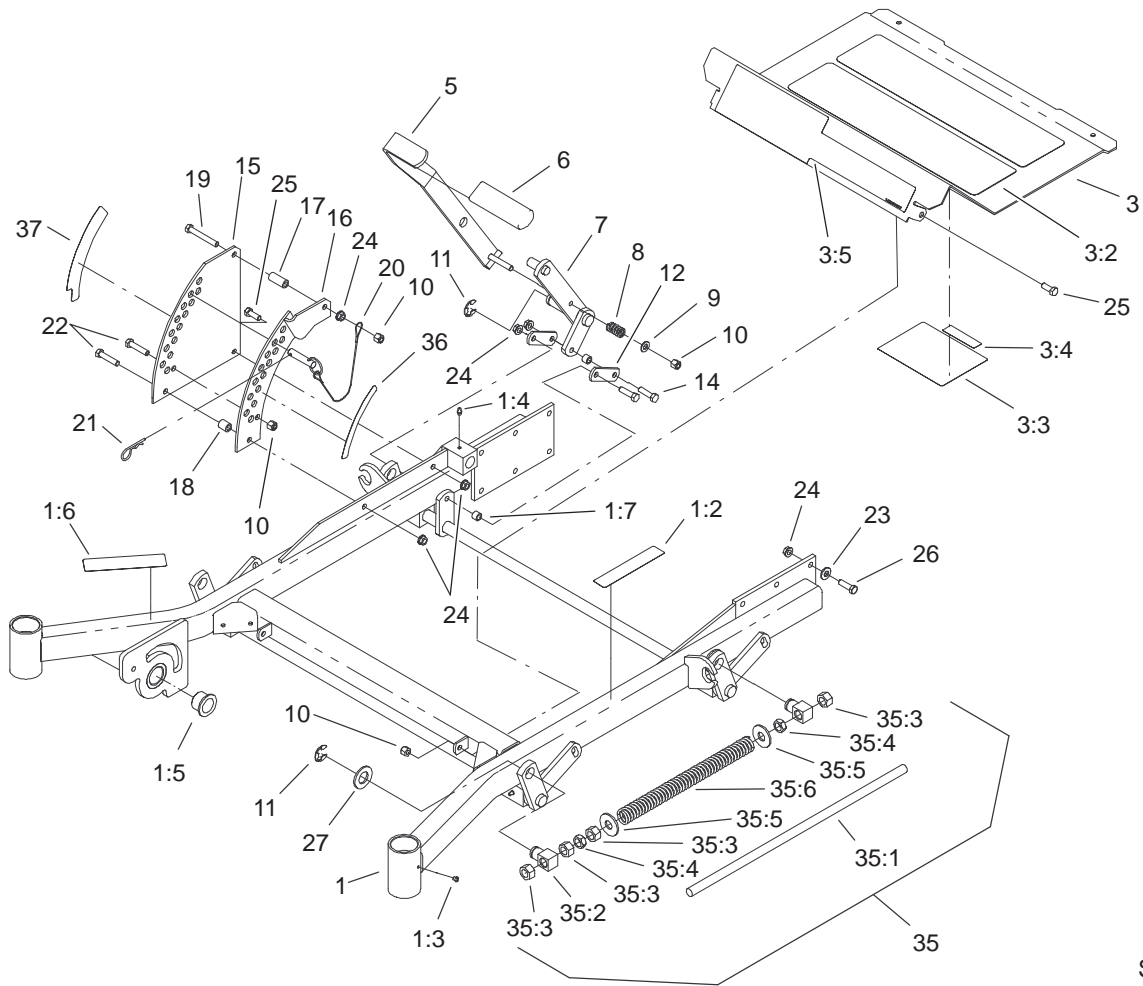
## Accessories

<b>Description</b>	<b>Model / Part No.</b>	<b>Description</b>	<b>Model / Part No.</b>
Striping Kit .....	30163	Muffler with Arrester Kit .....	105–1678
Hitch Kit .....	99–8925	Z Recycler Kit (62in) .....	100–9600
Atomic Blade .....	104–1303	Seat Suspension Kit .....	99–5822

## Part Description Abbreviations

Part descriptions in this catalog may include the following abbreviations.

<b>Abbreviation</b>	<b>Meaning</b>	<b>Abbreviation</b>	<b>Meaning</b>
AR .....	as required	HYD .....	hydraulic
ASM .....	assembly	INC .....	incorporated
CARR .....	carriage	LH .....	left hand
DEG .....	degrees	NI .....	nylon insert
FH .....	flat head	PPH .....	Phillips pan head
GA .....	gauge	PTH .....	Phillips truss head
HF .....	hex flange	PTO .....	power take off
HH .....	hex head	RH .....	right hand
HHF .....	hex head flange	SFH .....	slotted fillister head
HLH .....	hex lag head	SHH .....	slotted hex head
HJ .....	hex jam	SQH .....	square head
HOC .....	height-of-cut	SHWH .....	slotted hex washer head
HS .....	hex socket	SPH .....	slotted pan head
HSBH .....	hex socket button head	SRH .....	slotted round head
HSFH .....	hex socket flat head	STD .....	standard
HSH .....	hex socket head	TAP .....	self tapping
HWH .....	hex washer head	TTH .....	Torx truss head
HWHTF .....	hex washer head thread forming	WH .....	wing head



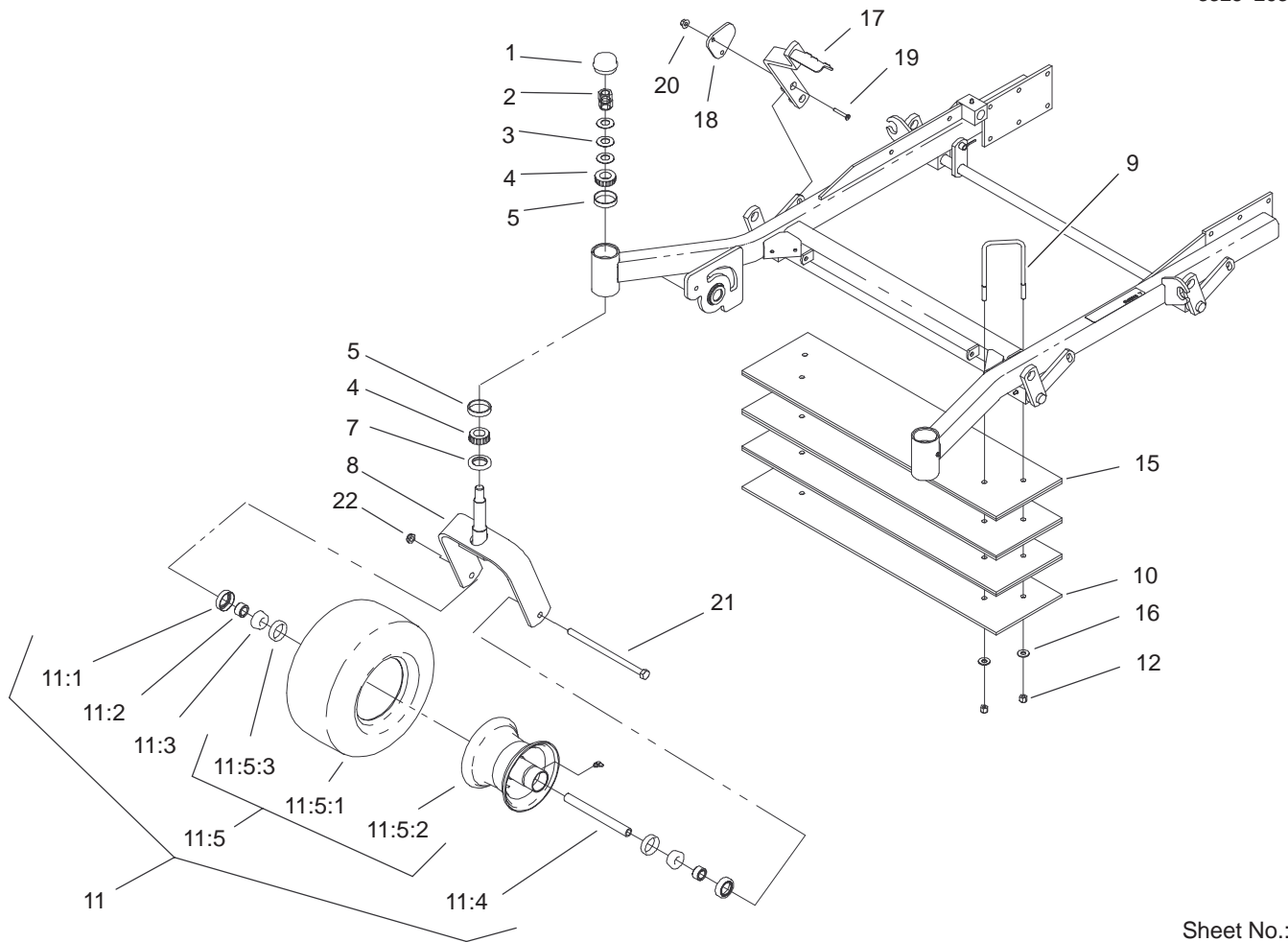
Sheet No.:2

## Front Frame Assembly

Ref. No.	Part No.	Qty.	Description
1	104-5132	1	Frame ASM
1:2	1-633818	1	Decal-Warning
1:3	1-811010	2	Plug
1:4	302-19	5	Fitting-Grease
1:5	94-1291	2	Bushing-Special
1:6	104-7759	1	Decal-Warning
1:7	103-1918	1	Bushing
3	100-6509	1	Floorpan ASM
3:2	1-633553	3	Pad-Antiskid
3:3	1-633766	1	Decal-Check
3:4	98-5954	1	Decal-Missing, Cover
3:5	1-633737	1	Decal-Z Master
5	103-2083-03	1	Lever-Lift
6	1-633295	1	Grip-Lever, Lift
7	103-2064-03	1	Arm-Lift, Deck
8	1-633325	1	Spring-Compression
9	3256-24	1	Washer-Flat
10	3296-39	5	Nut-Lock, NI
11	32151-103	5	Ring-Snap
12	1-633068	2	Arm-Lift, Deck
14	323-29	2	Screw-HH
15	1-633889-01	1	Plate-Lift, Deck
16	1-632899-01	1	Plate-Lift, Deck
17	1-633082	1	Bushing-Lever, Lift
18	1-633080	1	Bushing-Lever, Lift
19	323-13	1	Screw-HH

Ref. No.	Part No.	Qty.	Description
20	1-633097	1	Pin-Hitch W/Lanyard
21	1-806005	1	Pin-Hair
22	323-9	2	Screw-HH
23	98-5975	12	Washer-Belleville
24	3290-357	17	Nut-HHF
25	323-6	3	Screw-HH
26	323-7	12	Screw-HH
27	3256-29	4	Washer-Flat
☆35		2	Front Frame Spring ASM
35:1	1-633096	1	Rod-Lift, Deck
35:2	1-633441	2	Swivel-Deck Mount, Rear
35:3	3217-11	4	Nut-Hex
35:4	3218-6	2	Nut-Jam
35:5	3256-7	2	Washer-Flat
35:6	1-633064	1	Spring-Support, Deck
36	1-633706	1	Decal-Height, Deck
37	1-633345	1	Decal-Height, Deck

☆ Not serviced separately



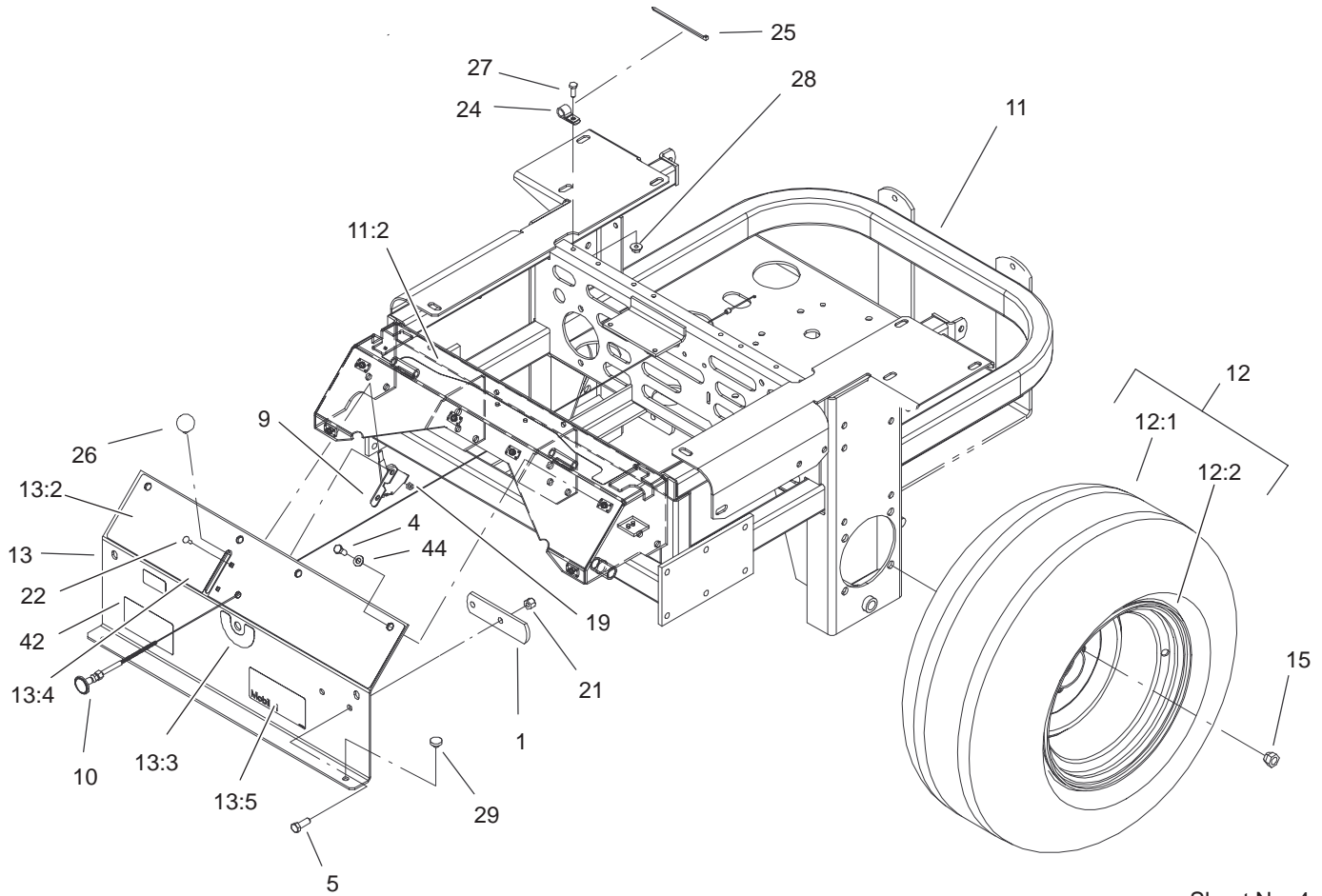
Sheet No.:3

## Caster and Wheel Assembly

Ref. No.	Part No.	Qty.	Description
1	1-543513	2	Cap-Grease
2	3296-51	2	Nut-Lock, NI
3	1-633508	6	Washer-Bellville
4	254-94	4	Bearing-Cone, Taper
5	254-72	4	Bearing-Cup, Tapered
7	1-543511	2	Seal-Grease
8	103-1474-01	2	Fork-Caster
9	100-2339	2	U-Bolt
10	100-2333-01	1	Bar-Weight
11	1-644251	2	Caster Wheel ASM
11:1	1-633580	2	Seal-Bearing
11:2	1-633581	2	Spacer-Bearing
11:3	1-633585	2	Bearing-Cone, Taper
11:4	1-633959	1	Spacer-Caster, Front
☆ 11:5		1	Wheel And Tire ASM
11:5:1	1-523009	1	Tire
11:5:2	1-633987	1	Wheel
11:5:3	1-633584	2	Bearing-Cup
12	3296-39	4	Nut-Lock, NI
15	99-4646-01	3	Weight Bar ASM
16	3256-4	4	Washer-Flat
17	100-4333-01	1	Lever-Lift, Deck
18	1-643220-01	1	Strap
19	3289-7	2	Screw
20	32128-20	2	Nut-HF

Ref. No.	Part No.	Qty.	Description
21	325-39	2	Screw-HH
22	3296-45	2	Nut-Lock, NI

☆ Not serviced separately

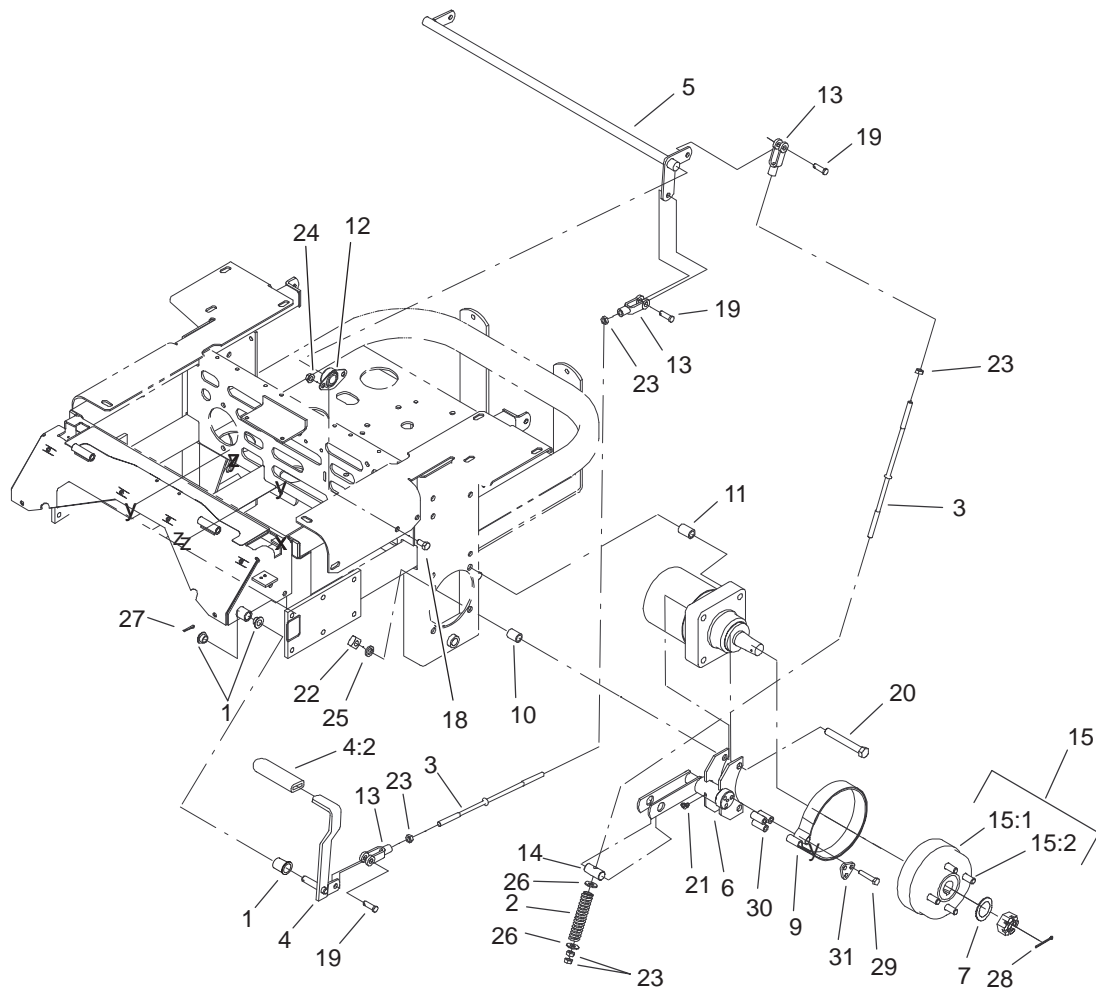


Sheet No.:4

## Main Frame Assembly

Ref. No.	Part No.	Qty.	Description
1	1-633964-03	1	Stop-Brake, Park
4	322-3	6	Screw-HH
5	323-6	2	Screw-HH
9	1-633696	1	Cable-Throttle
10	1-603336	1	Control-Choke
11	105-3648	1	Main Frame ASM
11:2	103-2433	1	Decal-Console, Top
12	1-633970	2	Wheel And Tire ASM
12:1	1-633993	1	Tire
12:2	1-633992	1	Wheel
13	99-4623	1	Console ASM
13:2	100-4311	1	Decal-Panel, Control
13:3	103-0262	1	Decal-Valve, Fuel
13:4	98-4387	1	Decal-Protection, Ear
13:5	104-8172	1	Decal-Mobil 1
15	242-50	8	Nut-Lug
19	3296-2	2	Nut-Lock
21	3296-39	2	Nut-Lock, NI
22	1-807513	2	Bolt-CARR
24	1-513762	1	Clip-Loom
25	1-303335	1	Tie-Plastic
26	1-513592	1	Knob-Ball
27	321-4	1	Screw-HH
28	32128-33	1	Nut-HF
29	1-513658	2	Bumper-Catcher, Grass

Ref. No.	Part No.	Qty.	Description
42	104-7787	1	Decal-Z287L
44	3256-23	6	Washer-Flat



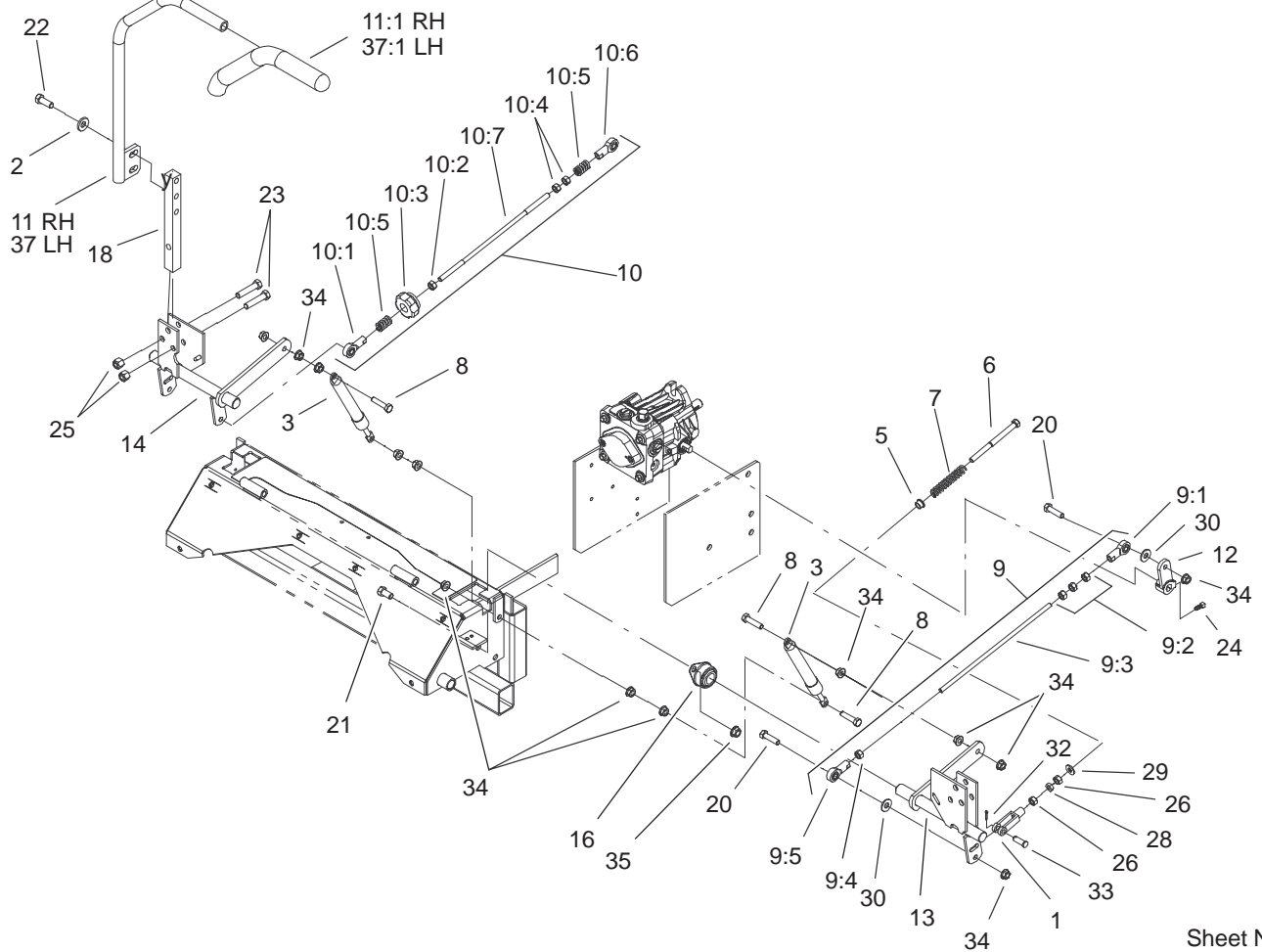
Sheet No.:5

## Brake and Wheel Hub Assembly

Ref. No.	Part No.	Qty.	Description
1	1-513140	2	Bearing-Control
2	1-633454	2	Spring-Brake
3	1-633477	3	Rod-Brake
4	1-634500	1	Brake Lever ASM
4:2	1-633268	1	Grip-Lever, Brake
5	1-632217-03	1	Shaft-Brake
6	103-0352-03	2	Bracket-Brake
7	1-523157	2	Washer-Spacer
9	103-0355	2	Band-Brake
10	1-633380	4	Spacer-Wheel, Short
11	1-633382	4	Spacer-Wheel, Long
12	1-633102	2	Bearing-Flange, Side
13	1-633131	4	Yoke-Linkage, Brake
14	1-633144	2	Pin-Trunion
15	103-0590	2	Hub-Wheel
15:1	103-0589	1	Hub-Wheel
15:2	1-633926	4	Stud-Wheel
18	323-4	4	Screw-HH
19	103-2399	4	Pin-Spring, Clevis
20	325-17	8	Screw-HH
21	1481	2	Fitting-Grease
22	103-0131	8	Nut-Square
23	3219-3	8	Nut-HH
24	3290-357	4	Nut-HHF
25	3253-7	8	Washer-Lock
26	3256-4	4	Washer-Flat

Ref. No.	Part No.	Qty.	Description
27	3272-10	1	Pin-Cotter
28	1-806800	2	Pin-Cotter
29	322-9	6	Screw-HH
30	103-0384	6	Spacer
31	103-0374	2	Retainer-Band, Brake

3328-263



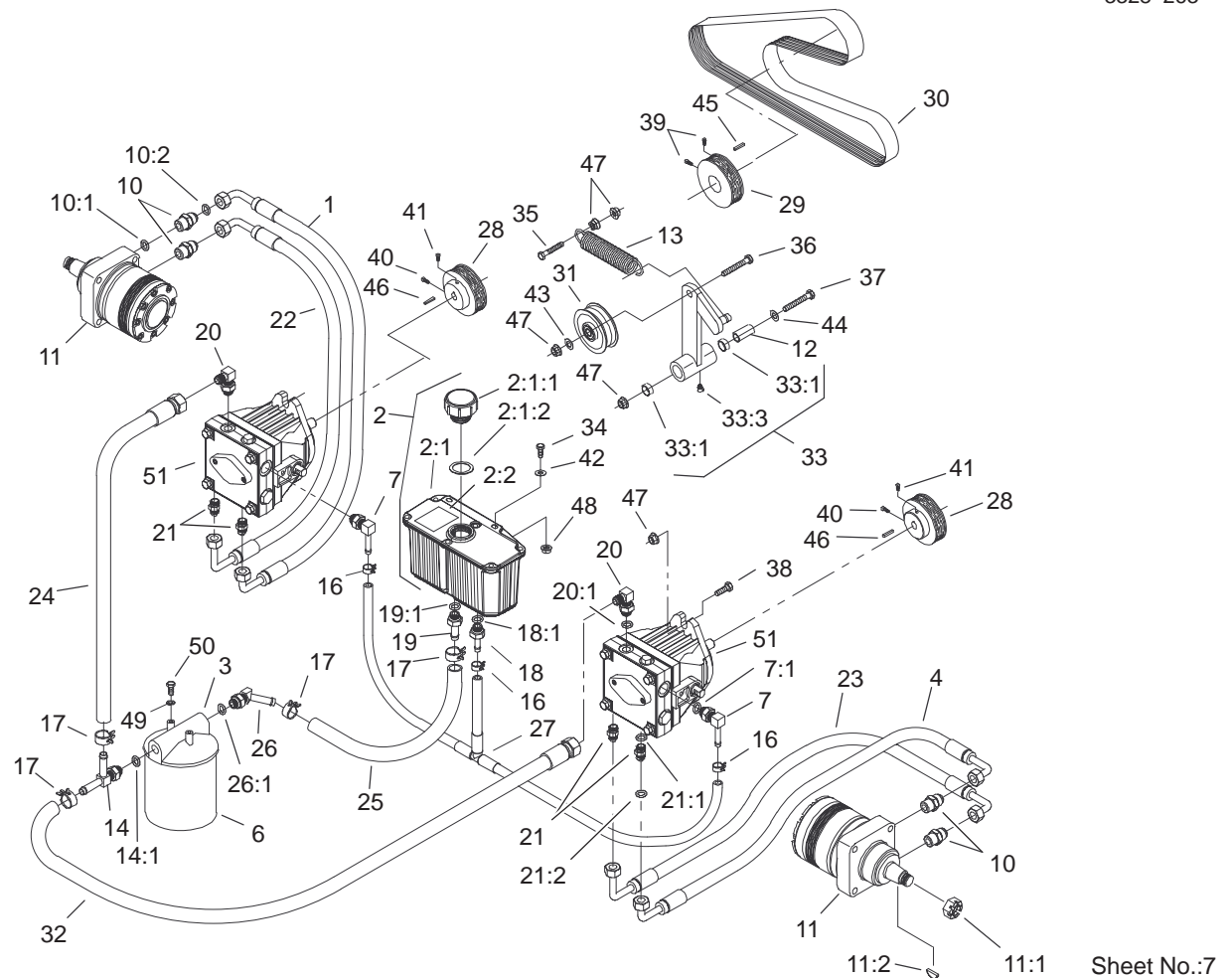
Sheet No.:6

## Steering Controls Assembly

Ref. No.	Part No.	Qty.	Description
1	1-303105	2	Yoke-Adjustable
2	98-5975	4	Washer-Belleville
3	103-2913	2	Damper-Control, Motion
5	1-603735	2	Bushing-Flanged
6	1-603737	2	Bolt-Return, Neutral
7	1-603807	2	Spring-Return, Neutral
8	1-403180	4	Screw-HH
☆9		1	Rod/Balljoint ASM
9:1	1-543017	1	Balljoint-RH
9:2	3219-2	3	Nut-Hex
9:3	1-633153	1	Linkage-Pump/Lever
9:4	1-804524	1	Nut
9:5	1-633152	1	Balljoint-Thread, LH
☆10		1	Tracking Rod ASM
10:1	1-543017	1	Balljoint-RH
10:2	3219-2	1	Nut-Hex
10:3	103-3060	1	Knob-Tracking
10:4	1-804524	2	Nut
10:5	1-323245	2	Spring-Compression
10:6	1-633152	1	Balljoint-Thread, LH
10:7	103-3064	1	Link-Rod, Tracking
11	103-0632	1	RH Lever ASM
11:1	1-633257	1	Grip-Control, Motion
12	1-632208	2	Arm-Control, Pump

Ref. No.	Part No.	Qty.	Description
13	1-642319	1	Control-Motion, LH
14	1-642320	1	Control-Motion, RH
16	1-633102	4	Bearing-Flange, Side
18	103-0407	2	Arm-Shaft, Control
20	322-6	4	Screw-HH
21	323-4	8	Screw-HH
22	323-6	4	Screw-HH
23	323-9	6	Screw-HH
24	1-803022	2	Screw-Set
25	3296-39	6	Nut-Lock, NI
26	3219-2	4	Nut-Hex
28	3220-2	2	Nut
29	3256-2	2	Washer-Flat
30	3256-3	4	Washer-Flat
32	3272-5	2	Pin-Cotter
33	1-808280	2	Pin-Clevis
34	32128-20	16	Nut-HF
35	3290-357	8	Nut-HHF
37	103-0631	1	LH Lever ASM
37:1	1-633257	1	Grip-Control, Motion

☆ Not serviced separately



Sheet No.:7

## Hydraulic System Assembly

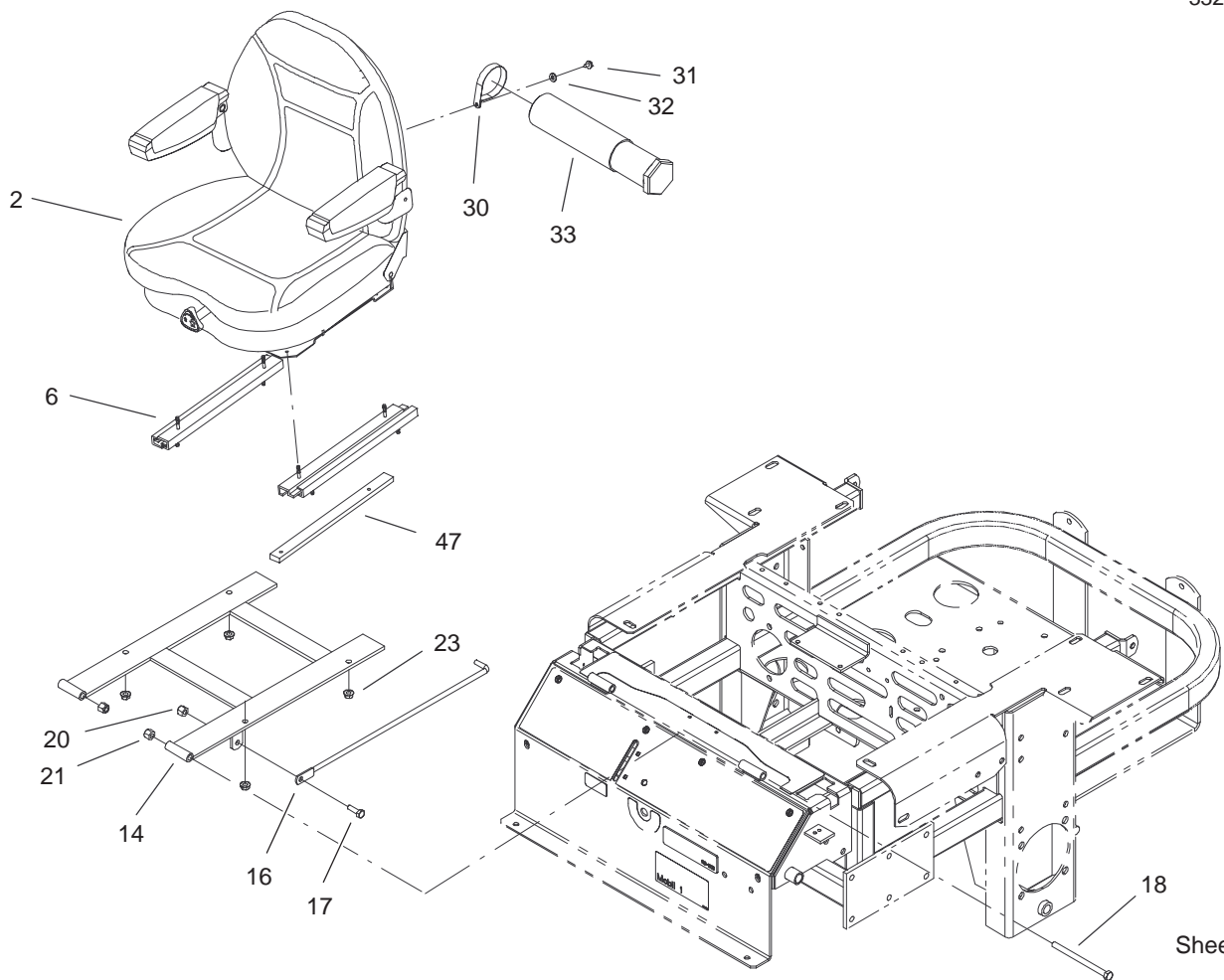
Ref. No.	Part No.	Qty.	Description
1	103-1764	1	Upper RH Hose ASM
2	103-1947	1	HYD Reservoir ASM
☆2:1		1	Reservoir-HYD
2:1:1	103-1948	1	Cap-Reservoir, HYD
2:1:2	103-1949	1	Gasket-Cap
2:2	1-523552	1	Decal-Tank, HYD
3	104-7836	1	Head-Filter
4	103-1682	1	Upper LH Hose ASM
6	1-633750	1	Filter-HYD
6	1-633752	1	Filter-HYD, Winter
7	103-1799	2	Elbow-90°
7:1	237-42	1	O-Ring
10	1-603991	4	Fitting-Straight
10:1	237-80	1	O-Ring
10:2	1-603992	1	O-Ring
11	1-523328	2	Motor-Wheel
11:1	1-809036	1	Nut-HH
11:2	3257-42	1	Key-Woodruff
*11:99	103-2748	1	Drive Link Kit
*11:99	1-000139	1	Bearing Kit
*11:99	1-000099	1	Seal Kit
12	1-603384	1	Bushing-Pivot, Idler
13	1-633151	1	Spring-Extension
14	103-1828	1	Adapter-Run, Tee
14:1	237-42	1	O-Ring
16	103-1716	3	Clamp-Hose

Ref. No.	Part No.	Qty.	Description
17	103-1988	4	Clamp-Hose
18	103-1801	1	Adapter-Straight
18:1	237-42	1	O-Ring
19	103-1912	1	Adapter-Straight
19:1	237-42	1	O-Ring
20	103-1802	2	Elbow-HYD, 90°
20:1	237-42	1	O-Ring
21	1-603990	4	Fitting-Straight
21:1	237-79	1	O-Ring
21:2	1-603992	1	O-Ring
22	103-1765	1	Lower RH Hose ASM
23	103-1683	1	Lower LH Hose ASM
24	103-1826	1	HYD Hose ASM
25	103-1808	1	Hose-HYD
26	103-1807	1	Elbow-45°
26:1	237-42	1	O-Ring
27	103-1806	1	HYD Hose ASM
28	1-633568	2	Sheave
29	1-633567	1	Sheave
30	1-633749	1	Belt-Drive, Pump
31	1-633167	1	Sheave-Idler
32	103-1827	1	HYD Hose ASM
33	1-634277	1	Bearing Arm ASM
33:1	1-513034	2	Sleeve-Bearing
33:3	302-40	1	Fitting-Grease
34	321-6	2	Screw-HH

☆ Not serviced separately

\* Not illustrated



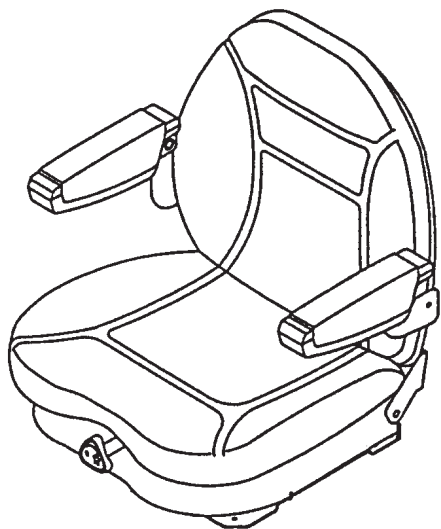


Sheet No.:8  
C-3041

## Seat Assembly

Ref. No.	Part No.	Qty.	Description
2	99-8522	1	Seat Suspension Kit (only on: 74213)
2	1-633705	1	Seat ASM (only on: 74236)
6	1-643255	1	Track-Seat (only on: 74213)
14	1-632187-03	1	Frame-Seat
16	1-633293	1	Rod-Holdup, Seat
17	322-5	1	Screw-HH
18	323-39	2	Screw-HH
20	3296-29	1	Nut-Lock, NI
21	3296-39	2	Nut-Lock, NI
23	32128-20	4	Nut-HF
30	2412-133	2	R-Clamp
31	32144-70	2	Screw-HH (only on: 74213)
31	32104-76	2	Screw (only on: 74236)
32	3256-16	2	Washer-Flat (only on: 74236)
33	74-0720	1	Tube-Manual
47	1-633872-03	2	Stop-Seat

Ref. No.	Part No.	Qty.	Description



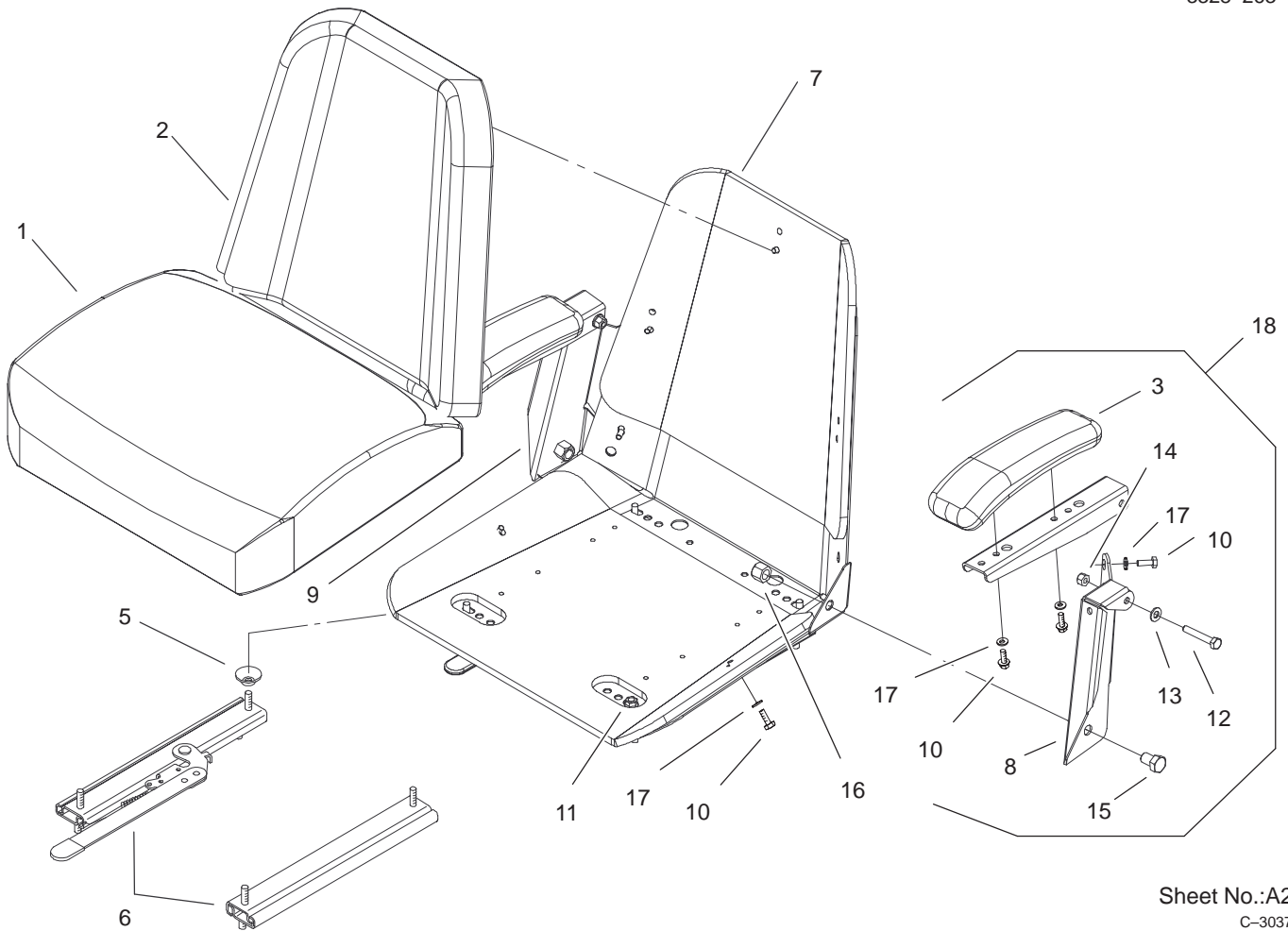
Sheet No.:A1

## Seat Assembly No. 99-8522 (only on: 74213)

Ref. No.	Part No.	Qty.	Description
2	103-1227	1	Harness-Wiring, Seat
3	1-303335	5	Tie-Plastic
4	1-633872-03	2	Stop-Seat
5	1-653282-03	2	Stop/Spacer-Seat
*30	1-643281	1	Switch-Seat
*31	1-631842	1	Armrest Pad Kit
*32	1-631843	1	Boot Kit
*33	1-631844	1	Arm Kit ASM
*34	1-631845	1	Pan ASM
*35	1-631846	1	Damper Kit
*36	1-631847	1	Roller Kit
*37	1-631848	1	Spring & Cable Kit
*38	1-631849	1	Knob & Shaft Kit

Ref. No.	Part No.	Qty.	Description

\* Not illustrated

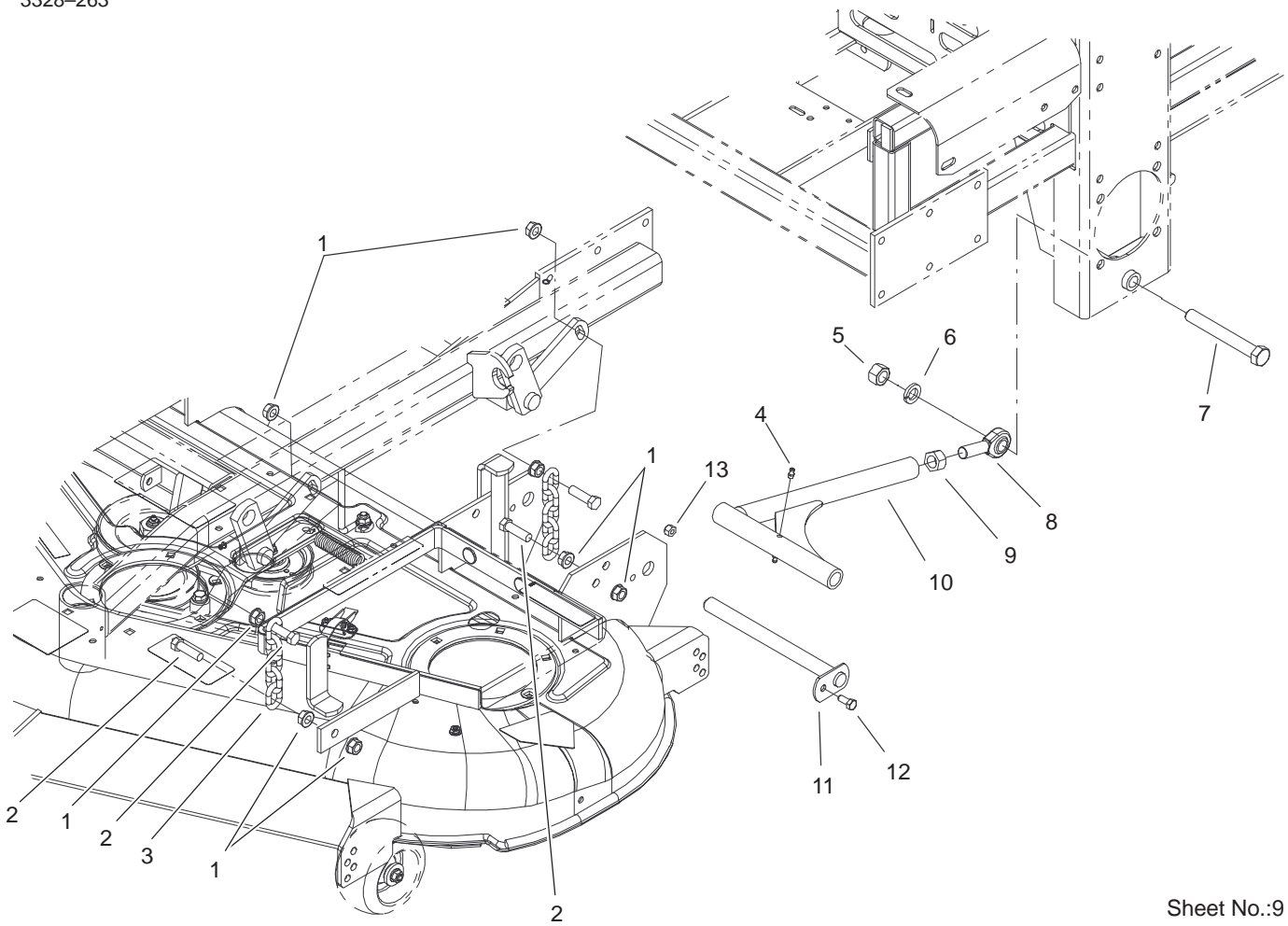


Sheet No.:A2  
C-3037

## Seat Assembly No. 1-633705 (only on: 74236)

Ref. No.	Part No.	Qty.	Description
1	103-0290	1	Cushion-Seat, Bottom
2	104-7754	1	Cushion-Seat, Back
3	1-633710	2	Cushion-Armrest
5	1-543401	4	Spacer-Track
6	1-643255	1	Track-Seat
7	1-633859	1	Frame-Seat
8	105-3622	1	Bracket-Armrest, LH
9	105-3621	1	Bracket-Armrest, RH
10	321-4	11	Screw-HH
11	32128-20	4	Nut-HF
12	322-10	2	Screw-HH
13	3256-23	4	Washer-Flat
14	3296-29	2	Nut-Lock, NI
15	325-2	2	Screw-HH
16	3296-23	2	Nut-Lock, NI
17	3256-22	11	Washer-Flat
18	105-3620	1	Armrest Kit

Ref. No.	Part No.	Qty.	Description

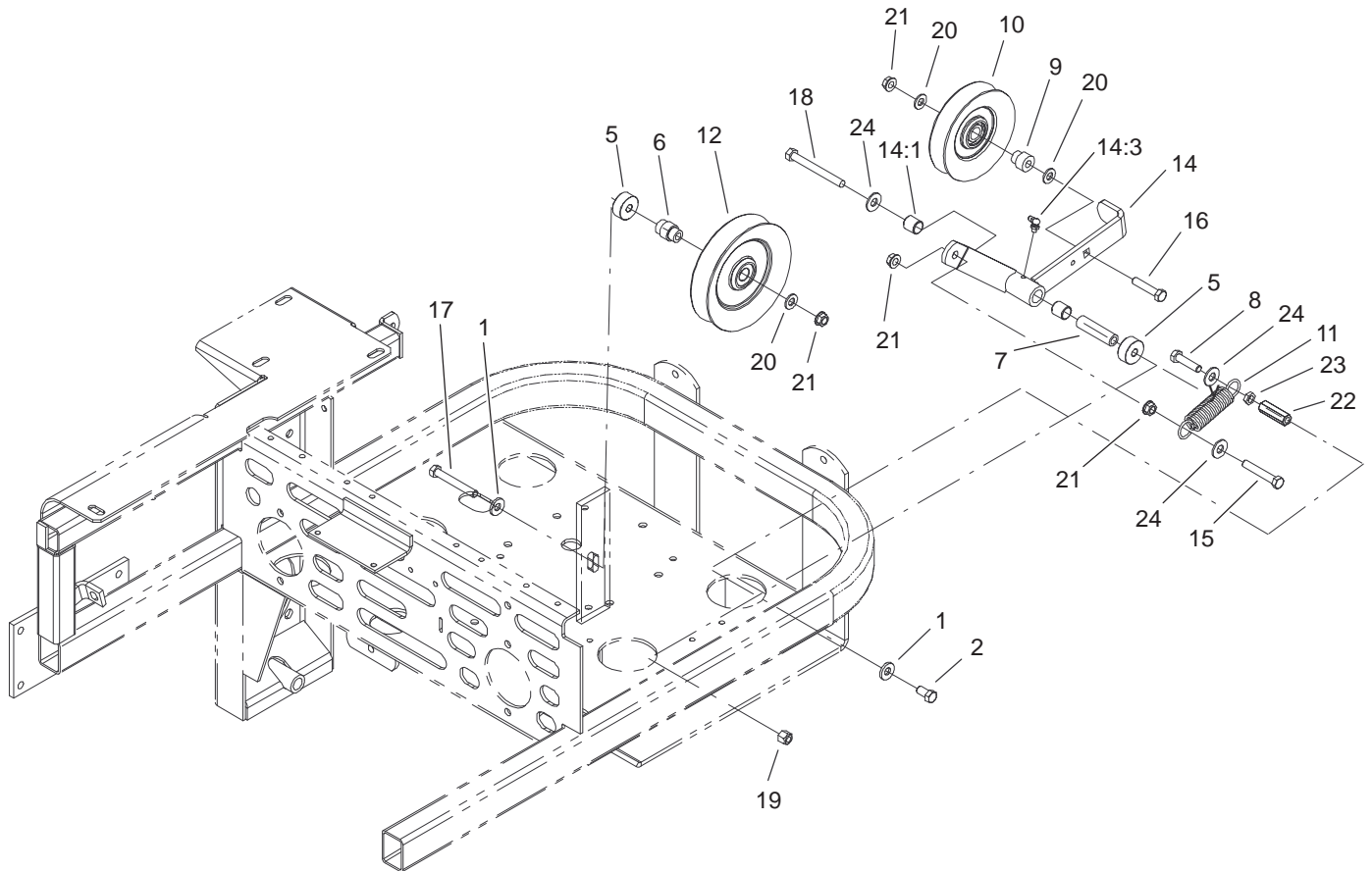


Sheet No.:9

## Deck Connection Assembly

Ref. No.	Part No.	Qty.	Description
1	32128-37	16	Nut-HF
2	1-800811	8	Screw-Cap, HH
3	1-633447	4	Chain-Lift, Deck
4	302-19	4	Fitting-Grease
5	3217-11	2	Nut-Hex
6	3253-8	2	Washer-Lock
7	327-11	2	Screw-HH
8	1-633029	2	Balljoint-Spherical
9	3219-6	2	Nut-Hex
10	103-1072-01	2	Strut-Deck
11	1-632199-01	2	Pin-Strut, Deck
12	322-3	2	Screw-HH
13	3296-29	2	Nut-Lock, NI

Ref. No.	Part No.	Qty.	Description

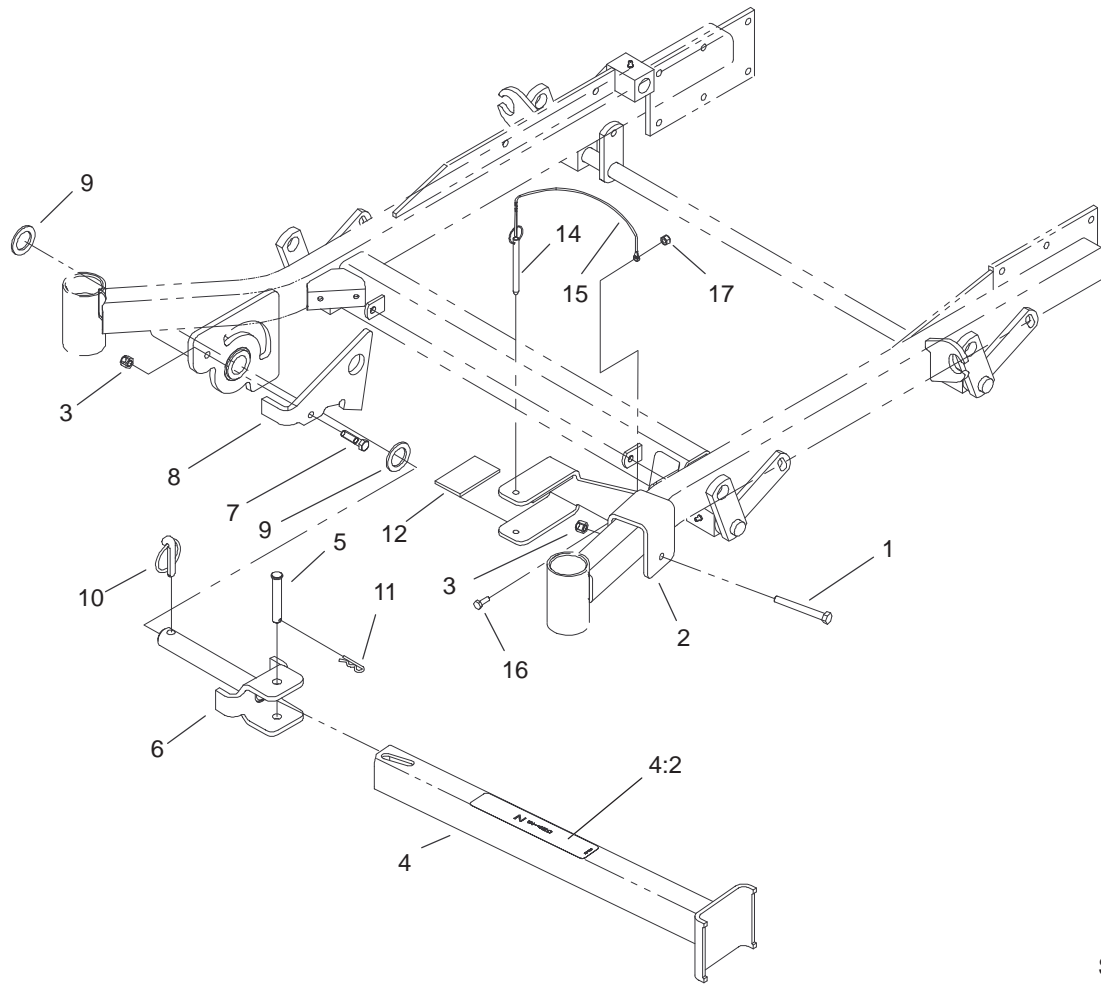


Sheet No.:10

## Drive Idler Assembly

Ref. No.	Part No.	Qty.	Description
1	98-5975	2	Washer-Belleville
2	323-4	1	Screw-HH
5	103-2956	2	Spacer-Idler
6	1-603050	1	Spacer (only on: 74236)
6	103-2627	1	Bushing-Idler (only on: 74213)
7	1-603384	1	Bushing-Pivot, Idler
8	323-8	1	Screw-HH
9	1-603496	2	Bushing-Idler (only on: 74236)
9	1-603496	1	Bushing-Idler (only on: 74213)
10	99-4638	1	Idler
11	1-603402	1	Spring-Extension
12	1-633166	1	Pulley-Idler
14	99-4677	1	Idler Arm ASM
14:1	1-513034	2	Sleeve-Bearing
14:3	302-40	1	Fitting-Grease
15	323-11	2	Screw-HH
16	323-9	1	Screw-HH
17	323-20	1	Screw-HH
18	323-16	1	Screw-HH
19	3296-39	1	Nut-Lock, NI
20	3256-24	3	Washer-Flat
21	3290-357	4	Nut-HHF

Ref. No.	Part No.	Qty.	Description
22	103-3286	1	Nut-Coupling
23	3218-3	1	Nut-Jam
24	3256-4	3	Washer-Flat

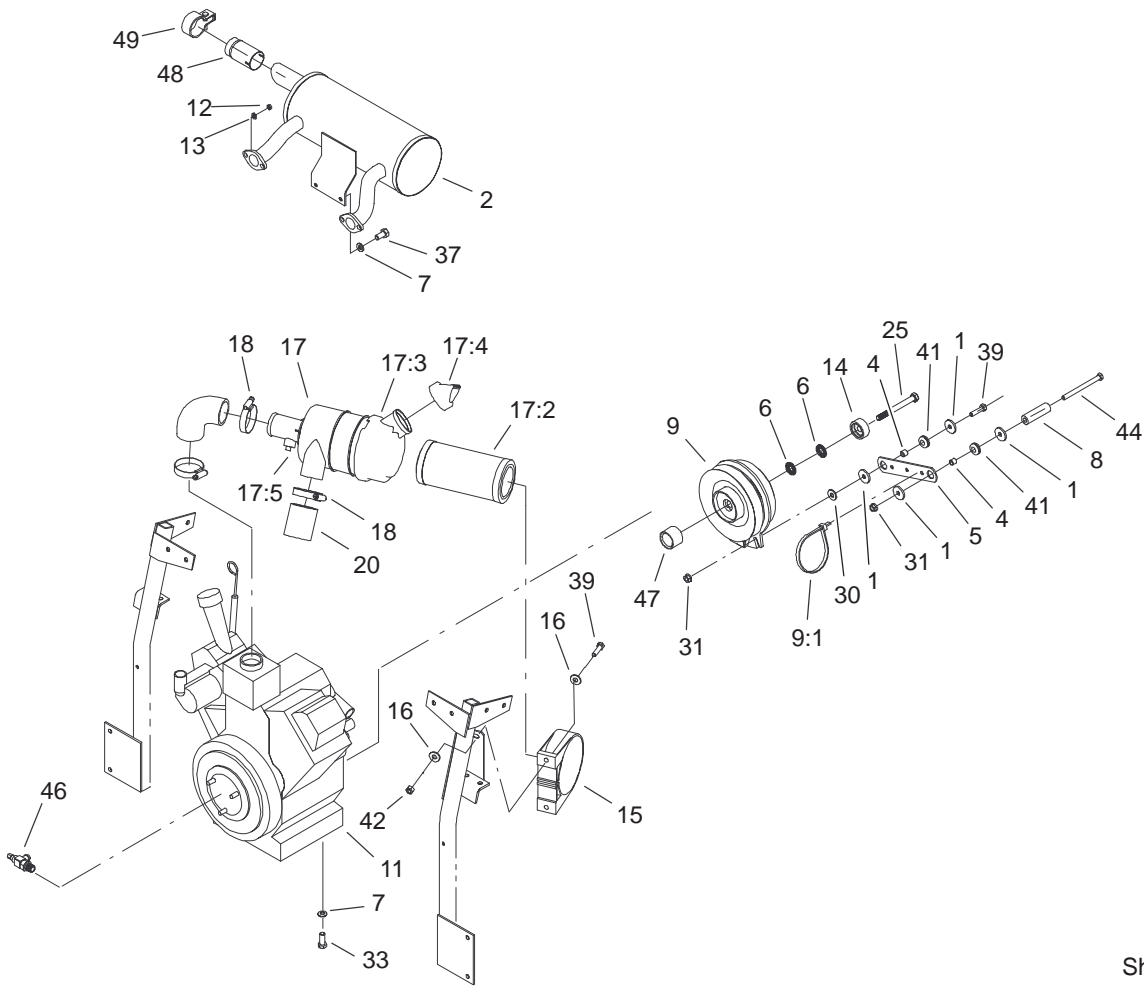


Sheet No.:11

## Z-Stand Assembly

Ref. No.	Part No.	Qty.	Description
1	323-20	1	Screw-HH
2	100-6542-01	1	Bracket-Cradle
3	3296-39	2	Nut-Lock, NI
4	100-6545	1	Leg ASM
4:2	104-7758	1	Decal-Z Stand
5	283-55	1	Pin-Clevis
6	100-9692-01	1	Pivot Pin ASM
7	323-8	1	Screw-HH
8	100-9686-01	1	Bracket-Latch
9	3-6781	2	Washer-Thrust
10	283-71	1	Pin-Lynch
11	3290-355	1	Pin-Hair
12	100-6547	2	Cushion-Rubber
14	105-1647	1	Pin-Hitch, Cotterless
15	100-9385	1	Lanyard-Nylon
16	321-4	1	Screw-HH
17	3296-42	1	Nut-Lock, NI

Ref. No.	Part No.	Qty.	Description



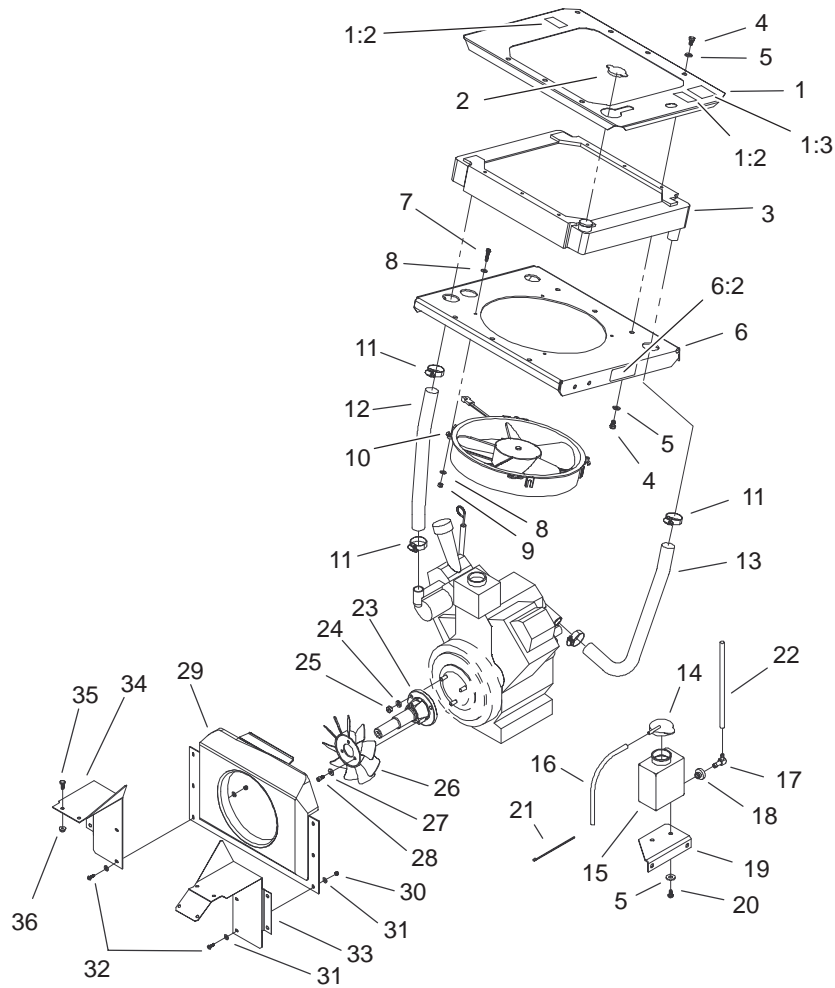
Sheet No.:14

## Engine, Clutch and Air Cleaner Assembly

Ref. No.	Part No.	Qty.	Description
1	1-613235	4	Washer
2	103-0059	1	Muffler
4	1-633545	2	Spacer-Grommet
5	1-633543-03	1	Strap-Clutch, Brake
6	1-603610	2	Washer-Spring
7	1-303334	6	Washer-Spring
8	1-643008	1	Spacer-Anchor, Clutch
9	103-1364	1	Clutch
9:1	1-303335	1	Tie-Plastic
☆11		1	Engine-Kawasaki, FD750D-AS03
12	33013-00	4	Nut-Hex
13	1-805004	4	Washer-Lock
14	103-0152	1	Keeper-Clutch
15	95-5806	1	Bracket-Mounting
16	3256-3	4	Washer-Flat
17	95-5805	1	Air Cleaner ASM
17:2	93-2195	1	Filter
17:3	94-3652	1	Cover ASM
17:4	94-1414	1	Valve-Vacuator
17:5	285-17	1	Plug-Pipe
18	1-643009	2	Clamp-Hose
20	1-643084	1	Hose-Inlet, Air
25	48-7570	1	Screw-HH
30	3256-3	1	Washer-Flat

Ref. No.	Part No.	Qty.	Description
31	32128-20	2	Nut-HF
33	33115-025	4	Screw-HH
37	33115-020	2	Screw-HH
39	322-6	3	Screw-HH
41	1-633630	2	Grommet-Brake
42	3296-29	2	Nut-Lock, NI
44	322-19	1	Screw-HH
46	103-3068	1	Valve-Drain, Oil
47	103-0114	1	Spacer-Clutch
48	103-1511	1	Arrestor-Spark
49	103-1512	1	Clamp-Muffler

☆ Not serviced separately

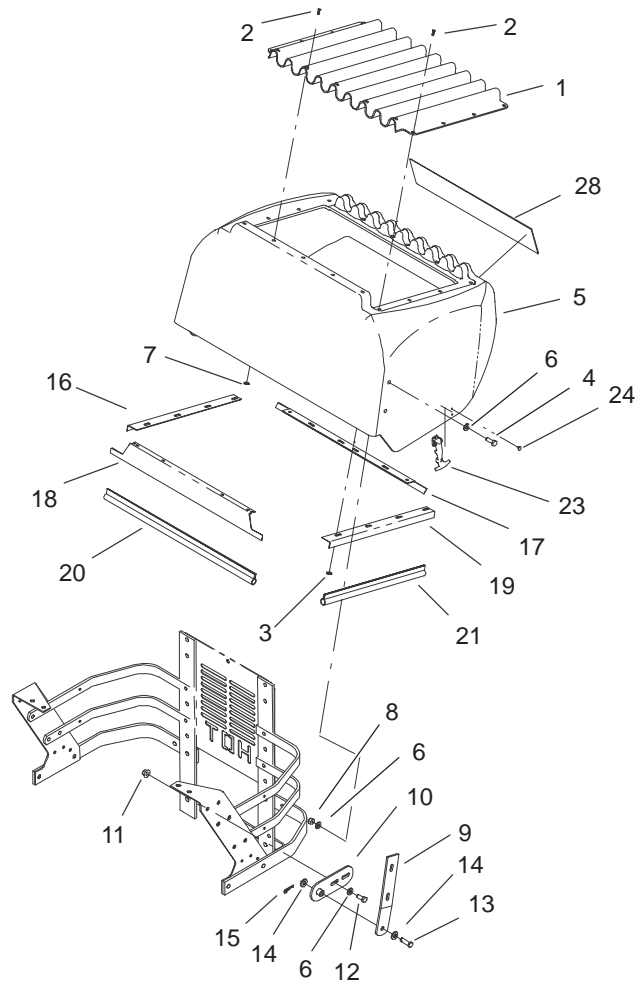


Sheet No.:15

## Cooling System Assembly

Ref. No.	Part No.	Qty.	Description
1	104-7843	1	Radiator Trim Plate ASM
1:2	65-2690	2	Decal-Surface, Hot
1:3	104-2449	1	Decal-Coolant, Havoline
2	1-643161	1	Cap-Radiator
3	103-1046	1	Radiator-Mount, Horiz.
4	322-1	12	Screw-HH
5	3256-23	14	Washer-Flat
6	100-4301	1	Fan Mounting Plate ASM
6:2	1-643253	2	Decal-Fan, Radiator
7	1-803067	4	Screw
8	3256-16	8	Washer-Flat
9	1-804254	4	Nut
10	1-633831	1	Fan
11	1-633989	4	Clamp-Hose
12	103-0074	1	Hose-Inlet, Radiator
13	103-0075	1	Hose-Outlet, Radiator
14	1-643164	1	Cap-Tank, Overflow
15	1-643163	1	Tank-Overflow
16	1-643131	1	Hose
17	1-643259	1	Fitting-Elbow
18	1-513645	1	Bushing-Valve, Fuel
19	103-2603-03	1	Bracket-Bottle

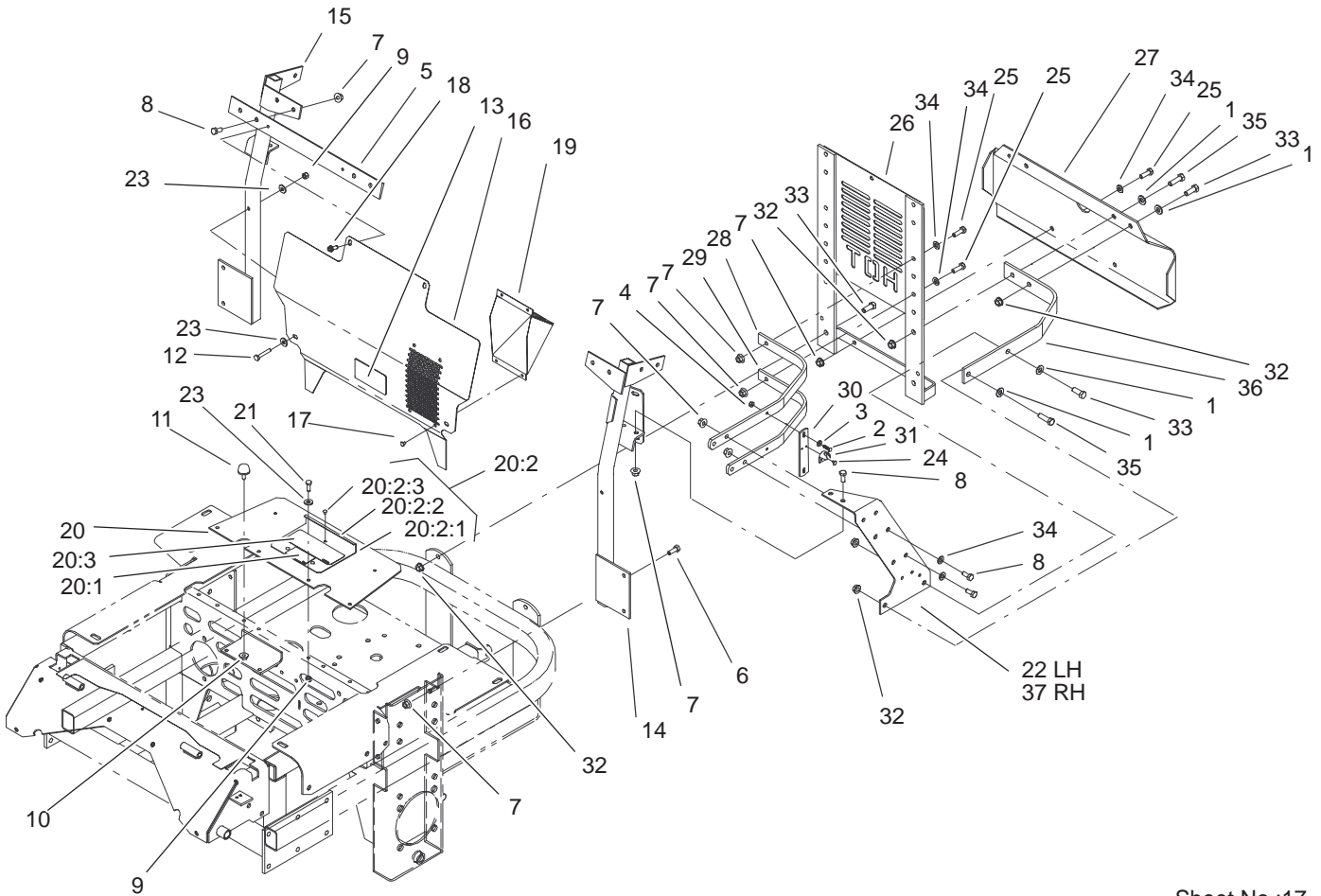
Ref. No.	Part No.	Qty.	Description
20	321-2	2	Screw-HH
21	1-303287	3	Tie-Plastic
22	1-643129	1	Hose
23	1-633851	1	Extension-Crankshaft
24	1-805005	3	Washer-Lock
25	33014-00	3	Nut-Hex
26	1-633869	1	Fan-Pump, Cooling
27	3256-22	3	Washer-Flat
28	1-809095	3	Screw-HSH
29	103-0098	1	Shroud-Fan, HYD
30	3296-2	6	Nut-Lock
31	3256-14	12	Washer-Flat
32	3290-500	6	Screw-PPH
33	103-0895-03	1	Shield-LH
34	1-633794-03	1	Baffle-Engine Shield, RH
35	321-4	6	Screw-HH
36	32128-33	6	Nut-HF



Sheet No.:16

## Hood Assembly

Ref. No.	Part No.	Qty.	Description	Ref. No.	Part No.	Qty.	Description
1	1-633864-03	1	Screen-Radiator				
2	1-803072	17	Rivet-Bulbex				
3	3256-14	12	Washer-Flat				
4	322-4	4	Screw-HH				
5	104-5136	1	Hood				
6	3256-23	10	Washer-Flat				
7	1-303435	5	Washer-Spring				
8	3296-29	4	Nut-Lock, NI				
9	1-633885-03	2	Plate-Hinge, Hood				
10	1-632986-03	2	Shackle-Hinge				
11	32128-20	25	Nut-HF				
12	322-3	16	Screw-HH				
13	1-808285	2	Pin-Clevis				
14	3256-24	6	Washer-Flat				
15	1-806003	2	Pin-Hair				
16	1-643106-03	1	Angle-Radiator, RH				
17	1-643108-03	1	Angle-Radiator, Bottom				
18	1-643107-03	1	Angle-Radiator, Top				
19	1-643105-03	1	Angle-Radiator, LH				
20	1-643187	2	Seal-Trim				
21	1-643186	2	Seal-Trim				
23	1-643188	2	Latch-Rubber				
24	923786	4	Rivet-Pop				
28	99-4621	1	Decal-Liquid Cooled, Z-Master				

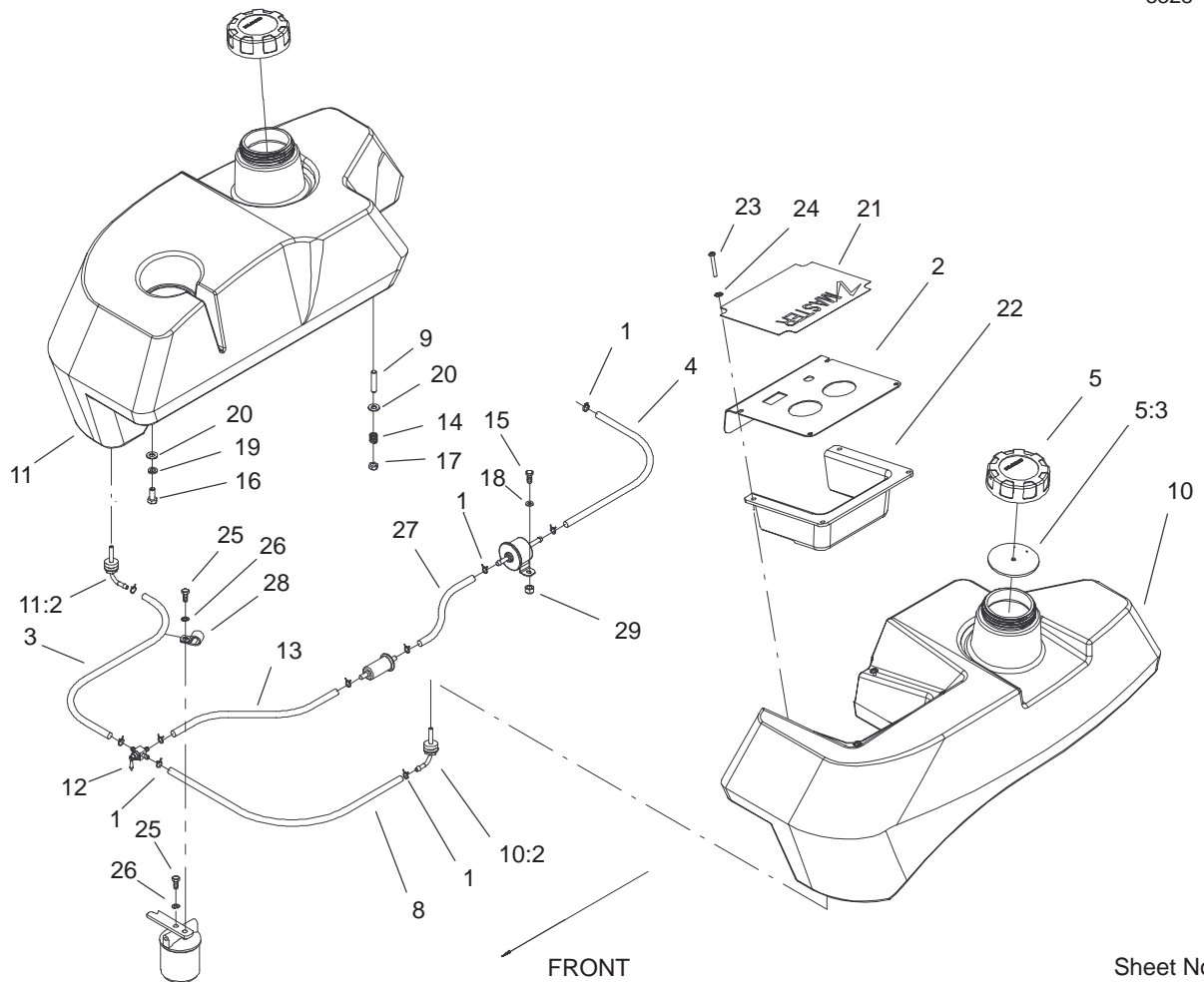


Sheet No.:17

## Cooling Mounting Frame Assembly

Ref. No.	Part No.	Qty.	Description
1	3256-24	6	Washer-Flat
2	1-803069	4	Screw
3	3256-14	4	Washer-Flat
4	3296-2	4	Nut-Lock
5	1-633878-03	1	Crossbar
6	322-4	4	Screw-HH
7	32128-20	12	Nut-HF
8	322-3	8	Screw-HH
9	3296-42	6	Nut-Lock, NI
10	32128-33	2	Nut-HF
11	1-523420	2	Bumper
12	321-9	2	Screw-HH
13	1-643339	1	Decal-Routing, Belt
14	103-0107-03	1	Brace-Radiator, LH
15	1-632985-03	1	Brace-Radiator, RH
16	103-2870-03	1	Deflector-Air
17	3269-3	4	Rivet-Pop
18	49-2040	2	Screw-Tapping
19	103-0110-03	1	Plenum-Intake, Air
20	1-644276	1	Shield ASM
20:1	1-633462	1	Decal-Important
20:2	1-634308	1	Shield/Lift ASM
20:2:1	103-1308	1	Shield-Engine
20:2:2	1-633300-03	1	Lift-Shield
20:2:3	1-803035	3	Rivet-Pop

Ref. No.	Part No.	Qty.	Description
20:3	103-0368	1	Decal-Devices, Rotating
21	321-4	4	Screw-HH
22	103-0896-03	1	Plate-Side, LH
23	3256-2	6	Washer-Flat
24	923786	4	Rivet-Pop
25	322-5	9	Screw-HH
26	1-632873-03	1	Mount-Radiator, Rear
27	1-633886-03	1	Guard-Bumper
28	1-633897-03	2	Rib-Top
29	1-633898-03	2	Rib-Bottom
30	1-633877-03	2	Bar-Hook, Latch
31	1-643189	2	Keeper-Latch, Rubber
32	3290-357	10	Nut-HHF
33	323-6	6	Screw-HH
34	3256-23	11	Washer-Flat
35	323-7	4	Screw-HH
36	1-633896-03	2	Bar-Mount Frame, Radiator
37	103-0897-03	1	Plate-Side, RH



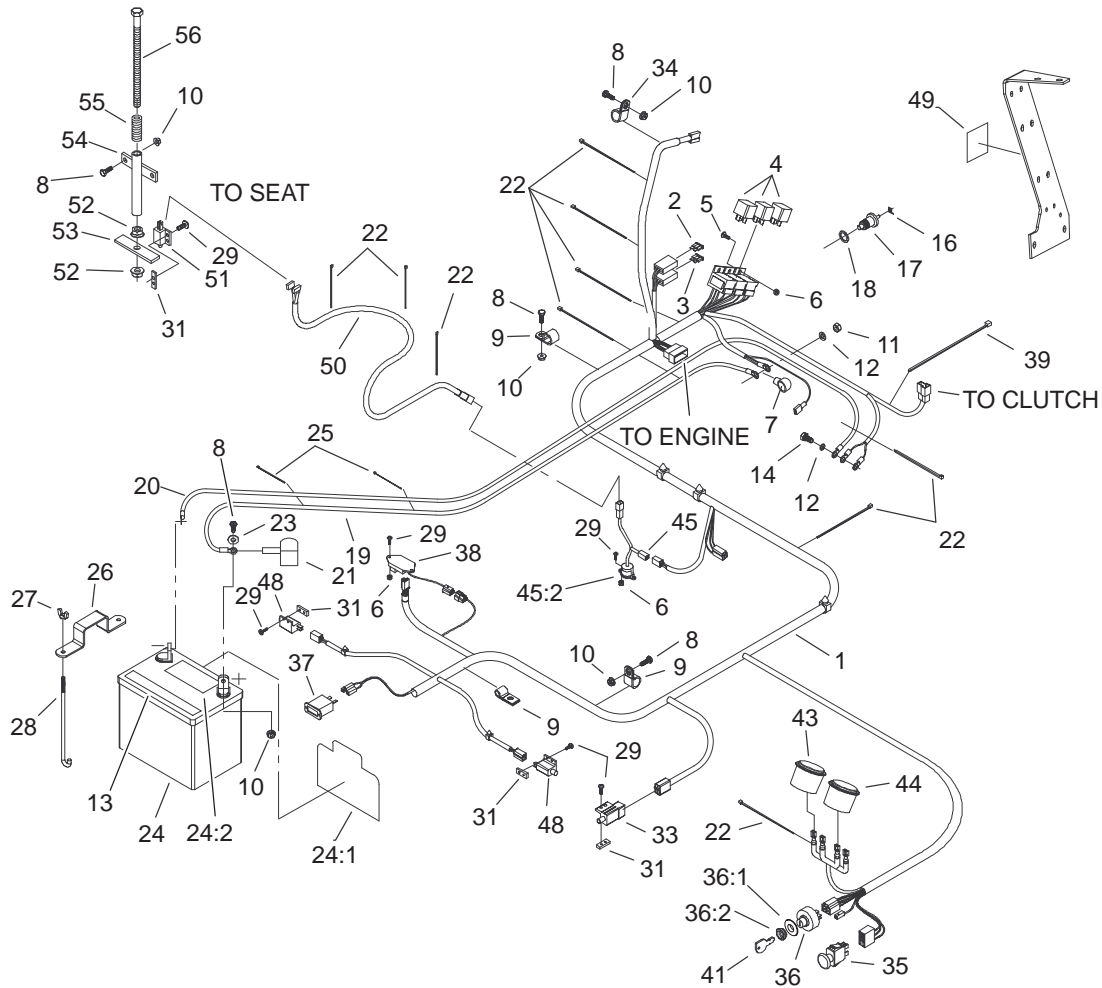
FRONT

Sheet No.:24

## Fuel System Assembly

Ref. No.	Part No.	Qty.	Description
1	1-303077	10	Clamp-Line, Fuel
2	99-4617-03	1	Panel-Control
3	103-2885	1	Hose-Fuel
4	103-1335	1	Hose-Fuel
5	88-3980	2	Gas Cap ASM
5:3	88-4010	1	Gasket-Cap, Gas
8	1-543456	1	Hose-Fuel
9	1-633023	6	Stud
10	105-3629	1	LH Fuel Tank ASM
10:2	103-2605	1	Fitting-Fuel, Bulkhead
11	105-3628	1	RH Fuel Tank ASM
11:2	103-2605	1	Fitting-Fuel, Bulkhead
12	1-633347	1	Valve-Fuel
13	1-303426	1	Hose-Line, Fuel
14	1-633349	6	Spring-Tank, Fuel
15	321-4	2	Screw-HH
16	322-3	2	Screw-HH
17	3296-47	6	Nut-Lock, NI
18	3256-2	2	Washer-Flat
19	1-805005	2	Washer-Lock
20	3256-23	8	Washer-Flat
21	99-4612	1	Decal-Panel, Control
22	99-4940	1	Shield-Panel, Control
23	1-803071	4	Screw
24	1-303435	4	Washer-Spring
25	321-3	2	Screw-HH

Ref. No.	Part No.	Qty.	Description
26	1-805004	2	Washer-Lock
27	1-643270	1	Hose-Fuel
28	1-513762	1	Clip-Loom
29	32128-33	2	Nut-HF

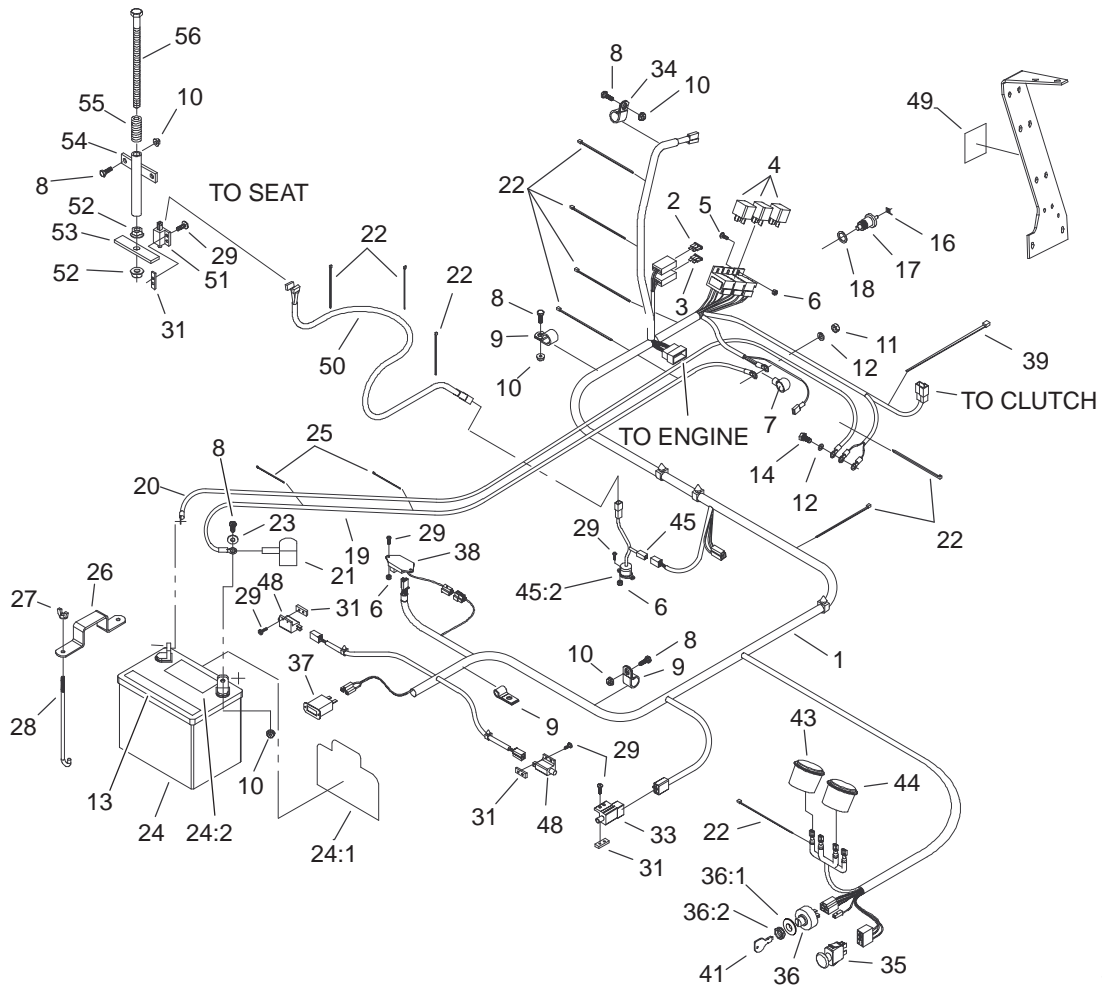


Sheet No.:29

## Electrical System Assembly

Ref. No.	Part No.	Qty.	Description
1	104-7757	1	Harness-Wire
2	1-816001	1	Fuse-Type, Blade
3	1-816003	1	Fuse-Blade Type, 30 Amp
4	1-643275	3	Relay
5	1-803071	2	Screw
6	3296-2	6	Nut-Lock
7	1-543393	1	Insulator-Solenoid
8	321-4	5	Screw-HH (only on: 74213)
8	321-4	7	Screw-HH (only on: 74236)
9	1-633396	3	Clip-Loom
10	32128-33	7	Nut-HF (only on: 74236)
10	32128-33	5	Nut-HF (only on: 74213)
11	33014-00	1	Nut-Hex
12	3256-23	2	Washer-Flat
13	105-3646	1	Decal-Warning, Battery
14	33114-016	1	Screw-HH
16	1-643145	1	Tab
17	103-0283	1	Sender-Temperature
18	1-643153	1	Washer-Aluminum
19	1-523279	1	Wire-Battery, Positive

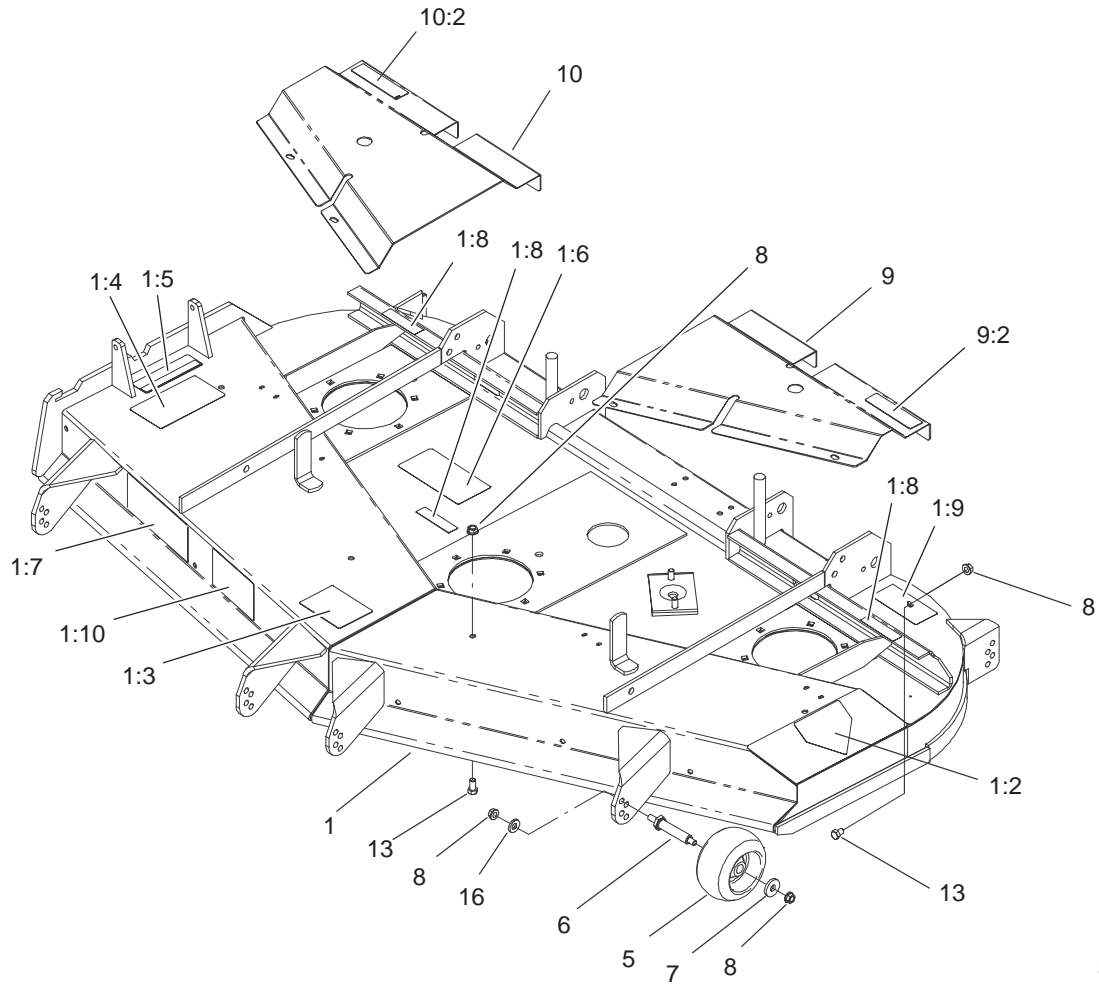
Ref. No.	Part No.	Qty.	Description
20	1-633307	1	Wire-Ground
21	1-543391	1	Insulator-Battery
22	1-303335	10	Tie-Plastic (only on: 74213)
22	1-303335	7	Tie-Plastic (only on: 74236)
23	3256-2	2	Washer-Flat
24	105-1692	1	Battery
24:1	104-4163	1	Decal-Battery
24:2	104-4164	1	Decal-Battery
25	1-303287	2	Tie-Plastic
26	1-633652-03	1	Strap-Holddown
27	1-543792	2	Wingnut
28	1-633651	2	Bolt-Holddown
29	3290-500	12	Screw-PPH (only on: 74236)
29	3290-500	10	Screw-PPH (only on: 74213)
31	1-633181	4	Plate-Tapped (only on: 74236)
31	1-633181	3	Plate-Tapped (only on: 74213)
33	1-633111	1	Switch
34	1-513762	1	Clip-Loom
35	1-633673	1	Switch-Delta
36	88-9830	1	Key Switch ASM



Sheet No.:29

## Electrical System Assembly (Continued)

Ref. No.	Part No.	Qty.	Description	Ref. No.	Part No.	Qty.	Description
36:1	3254-5	1	Washer-Lock, Internal	55	1-523415	1	Spring-Switch, Seat (only on: 74236)
36:2	218-461	1	Nut-HH	56	1-800282	1	Screw-HH (only on: 74236)
37	1-513374	1	Meter-Hour				
38	100-6186	1	Module-Delay, Seat				
39	1-643115	1	Tie-Plastic				
41	63-8360	2	Key-Ignition				
43	1-643037	1	Gauge-Voltmeter				
44	1-643021	1	Gauge-Temperature				
45	1-644427	1	Tilt Switch ASM				
45:2	1-643401	1	Decal-Switch, Mercury				
48	1-513051	2	Switch-Open, Normally				
49	103-1027	1	Decal-Relay				
50	103-1227	1	Harness-Wiring, Seat (only on: 74213)				
51	1-513152	1	Switch-Closed, Normally (only on: 74236)				
52	32128-20	2	Nut-HF (only on: 74236)				
53	1-513180	1	Plate-Switch, Seat (only on: 74236)				
54	1-522424-03	1	Mount-Spring, Seat (only on: 74236)				

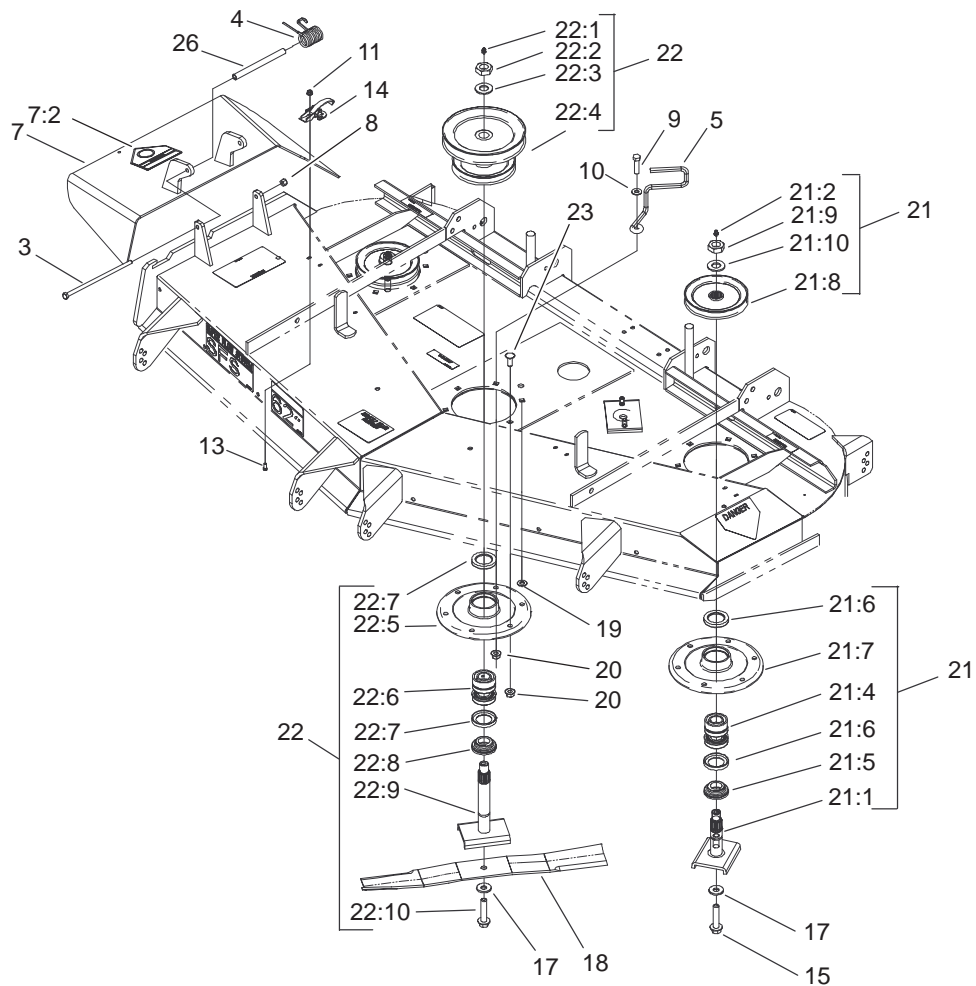


Sheet No.:61

## Deck, Decal and Wheel Assembly

Ref. No.	Part No.	Qty.	Description
1	106-5863	1	Deck ASM
1:2	43-8480	1	Decal-Danger
1:3	98-3798	1	Decal-Wheel, Gage
1:4	66-1340	1	Decal-Danger
1:5	104-8569	1	Decal-Warning
1:6	99-4686	1	Decal-Routing, Belt
1:7	99-4619	1	Decal-Sfs
1:8	98-5954	3	Decal-Missing, Cover
1:9	93-7818	1	Decal-Torque, Blade Bolt
1:10	99-4620	1	Decal-Deck
5	68-2730	6	Wheel-Gage
6	99-2842	6	Spacer
7	1-373034	6	Washer
8	3290-357	18	Nut-HHF
9	98-5955	1	LH Cover ASM
9:2	67-5360	1	Decal-Danger
10	98-5956	1	RH Cover ASM
10:2	67-5360	1	Decal-Danger
13	323-2	8	Screw-HH
16	98-5975	6	Washer-Belleville

Ref. No.	Part No.	Qty.	Description

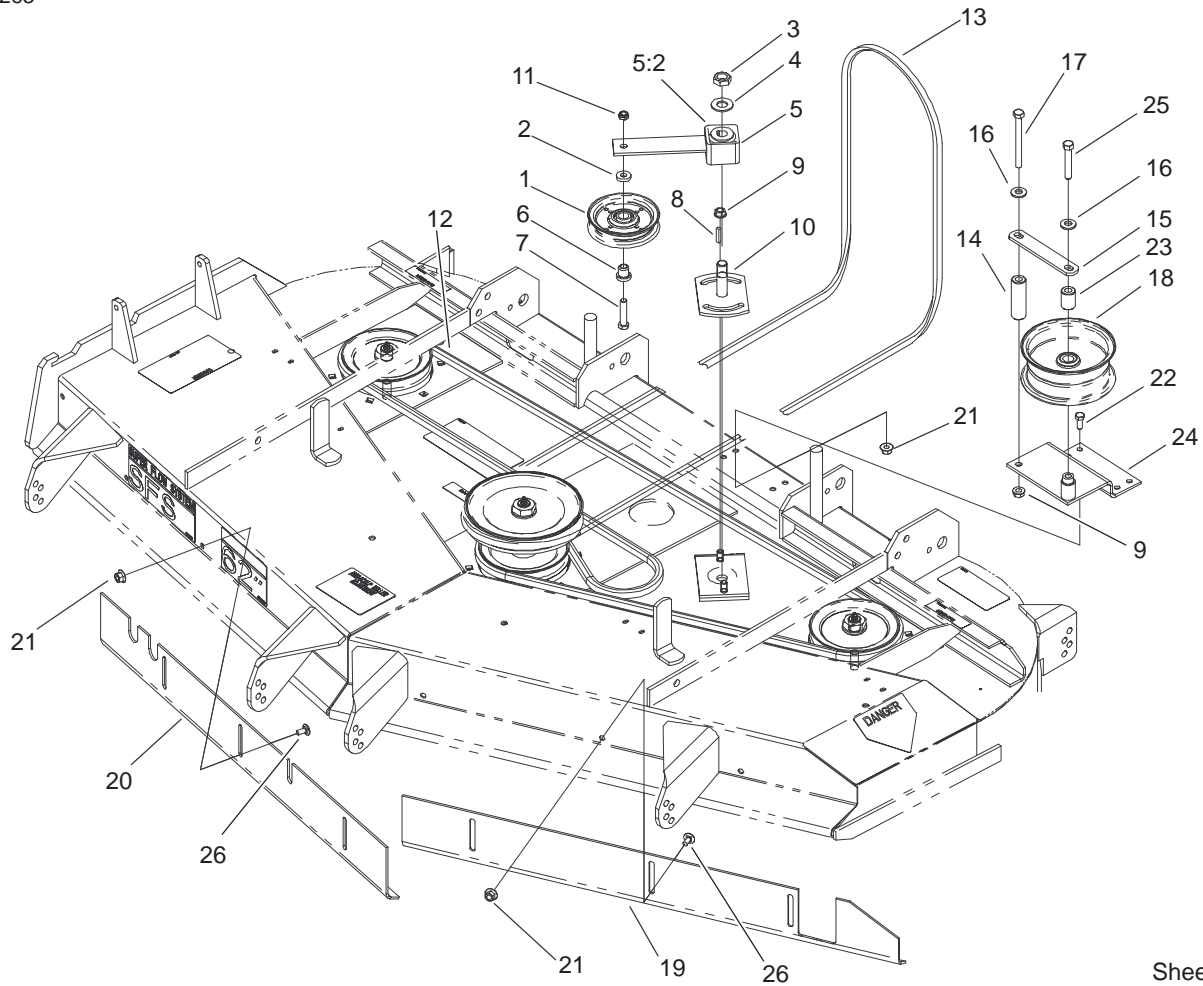


Sheet No.:62

## Deck, Pulley and Deflector Assembly

Ref. No.	Part No.	Qty.	Description
3	322-50	1	Screw-HH
4	104-8554	1	Spring-Torsion
5	99-8933	1	Guide-Belt
7	105-3605	1	Deflector ASM
7:2	93-1122	1	Decal-Danger
8	3296-29	1	Nut-Lock, NI
9	323-8	1	Screw-HH
10	3256-3	1	Washer-Flat
11	32128-17	8	Nut-Lock, Flange
13	3290-321	8	Screw-HWH
14	249-21	4	Clamp-Slotted
15	92-5816	2	Bolt-Blade
17	1-513435	3	Washer-Spring
18	44-6250	3	Blade
19	3256-24	1	Washer-Flat
20	32128-21	18	Nut-HF
21	99-4640	2	Outer Spindle ASM
21:1	27-0920	1	Shaft
21:2	302-2	1	Fitting-Grease
21:4	46-8530	1	Bearing ASM
21:5	27-0950	1	Spacer
21:6	253-139	2	Seal-Oil
21:7	61-4160	1	Housing
21:8	99-4614	1	Pulley And Hub ASM
21:9	32146-20	1	Nut-Jam
21:10	7-4150	1	Washer

Ref. No.	Part No.	Qty.	Description
22	105-1689	1	Spindle Housing ASM
22:1	302-2	1	Fitting-Grease
22:2	32146-20	1	Nut-Jam
22:3	92-5836	1	Washer
22:4	100-4307	1	Pulley/Hub ASM
22:5	61-4160	1	Housing
22:6	46-8530	1	Bearing ASM
22:7	253-139	2	Seal-Oil
22:8	27-0950	1	Spacer
22:9	105-1686	1	Spindle Shaft ASM
22:10	92-5816	1	Bolt-Blade
23	3231-22	17	Screw-CARR
26	105-4622	1	Spacer



Sheet No.:63

## Deck, Belt and Idler Arm Assembly

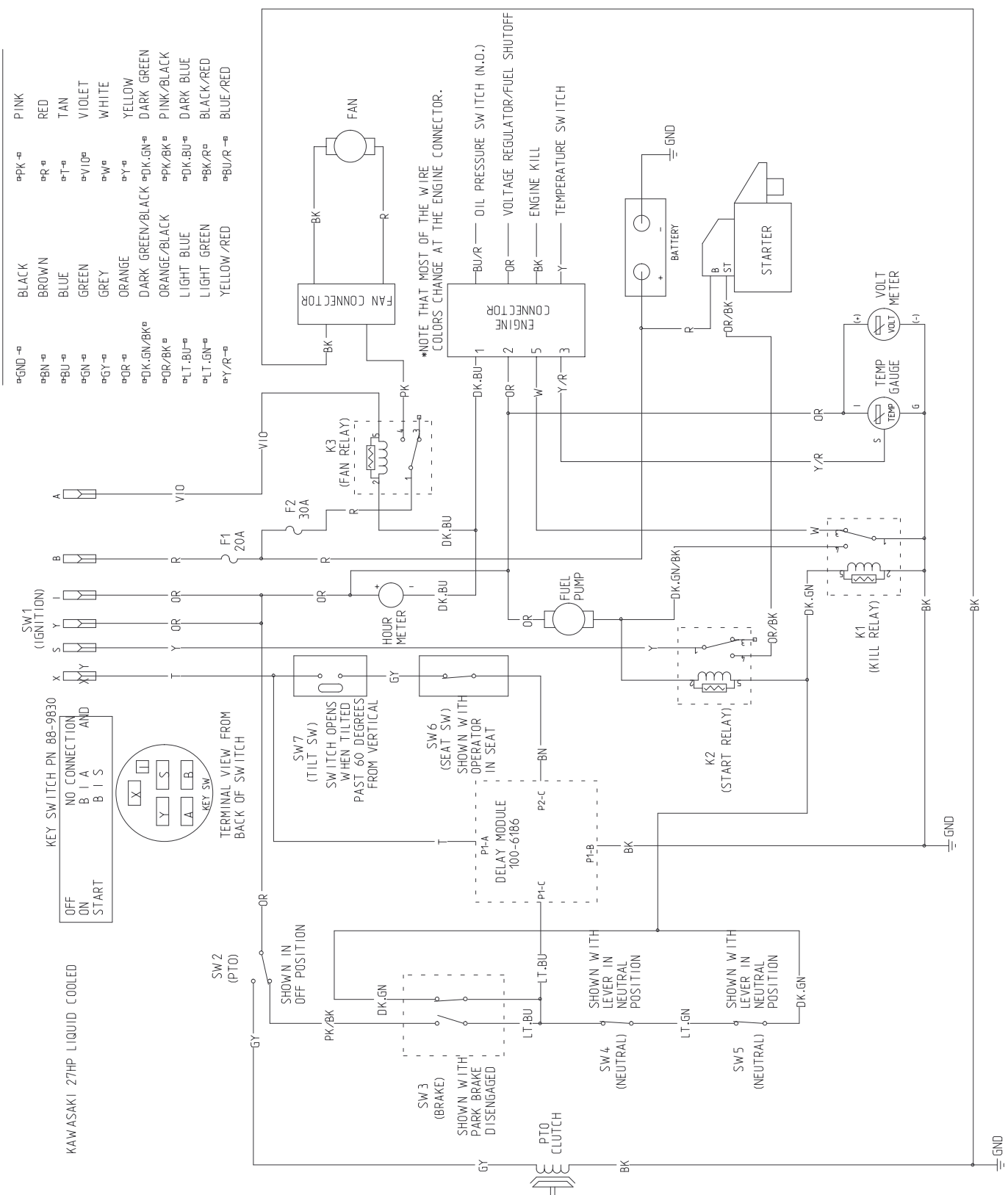
Ref. No.	Part No.	Qty.	Description
1	65-5940	1	Pulley-Idler
2	7-0081	1	Washer-Flat
3	3296-71	1	Nut-Lock NI
4	3256-27	1	Washer-Flat
5	27-8580	1	Idler Arm ASM
5:2	27-8490	1	Bushing-Rubber
6	65-5950	1	Bushing-Pulley
7	3211-8	1	Screw-HH
8	5-1077	1	Key-Square
9	3290-357	3	Nut-HHF
10	44-6301	1	Plate-Idler, LH
11	3296-5	1	Nut-Lock, NI
12	44-6260	1	V-Belt
13	99-4647	1	V-Belt-Drive, Deck
14	99-4659	1	Spacer-Bracket
15	1-653189	1	Plate
16	98-5975	2	Washer-Belleville
17	323-42	1	Screw-HH
18	1-413099	1	Pulley-Idler
19	99-2833-03	1	Baffle-Front, LH
20	99-2834-03	1	Baffle-Front, RH
21	32128-20	10	Nut-HF
22	322-3	4	Screw-HH
23	1-653190	1	Spacer
24	99-4684-01	1	Bracket-Pulley

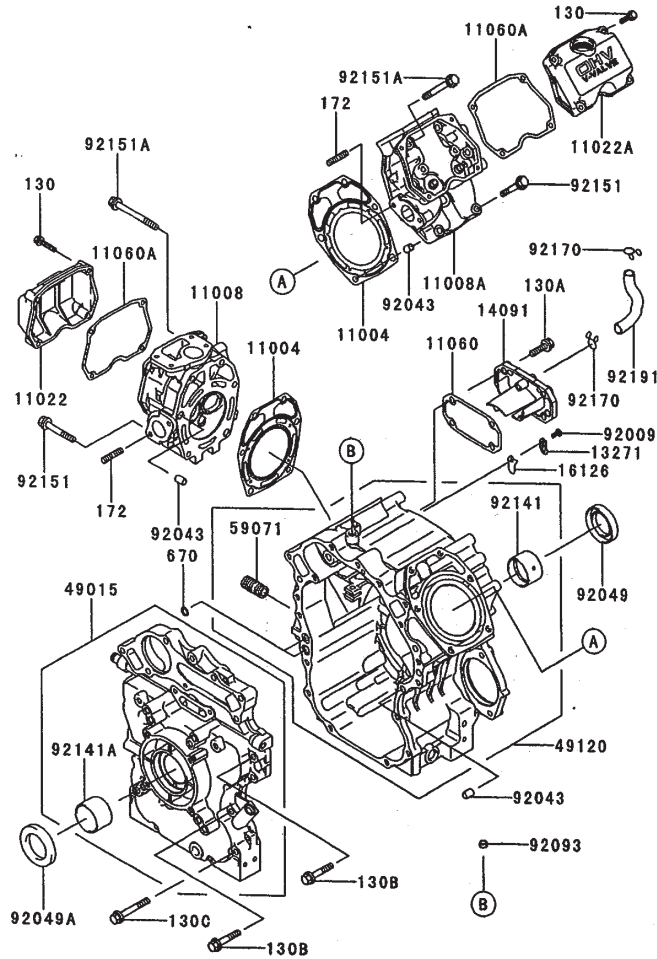
Ref. No.	Part No.	Qty.	Description
25	323-11	1	Screw-HH
26	3230-18	6	Screw-CARR

# Electrical Schematic

**WIRE COLOR CODES**

ⓂGND Ⓜ	BLACK	ⓂPK Ⓜ	PINK
ⓂBN Ⓜ	BROWN	ⓂR Ⓜ	RED
ⓂBU Ⓜ	BLUE	ⓂT Ⓜ	TAN
ⓂGN Ⓜ	GREEN	ⓂVIO Ⓜ	VIOLET
ⓂGY Ⓜ	GREY	ⓂW Ⓜ	WHITE
ⓂOR Ⓜ	ORANGE	ⓂY Ⓜ	YELLOW
ⓂDK.GN/BK Ⓜ	DARK GREEN/BLACK	ⓂDK.GN Ⓜ	DARK GREEN
ⓂOR/BK Ⓜ	ORANGE/BLACK	ⓂPK/BK Ⓜ	PINK/BLACK
ⓂLT.BU Ⓜ	LIGHT BLUE	ⓂDK.BU Ⓜ	DARK BLUE
ⓂLT.GN Ⓜ	LIGHT GREEN	ⓂBK/R Ⓜ	BLACK/RED
ⓂY/R Ⓜ	YELLOW/RED	ⓂBU/R Ⓜ	BLUE/RED



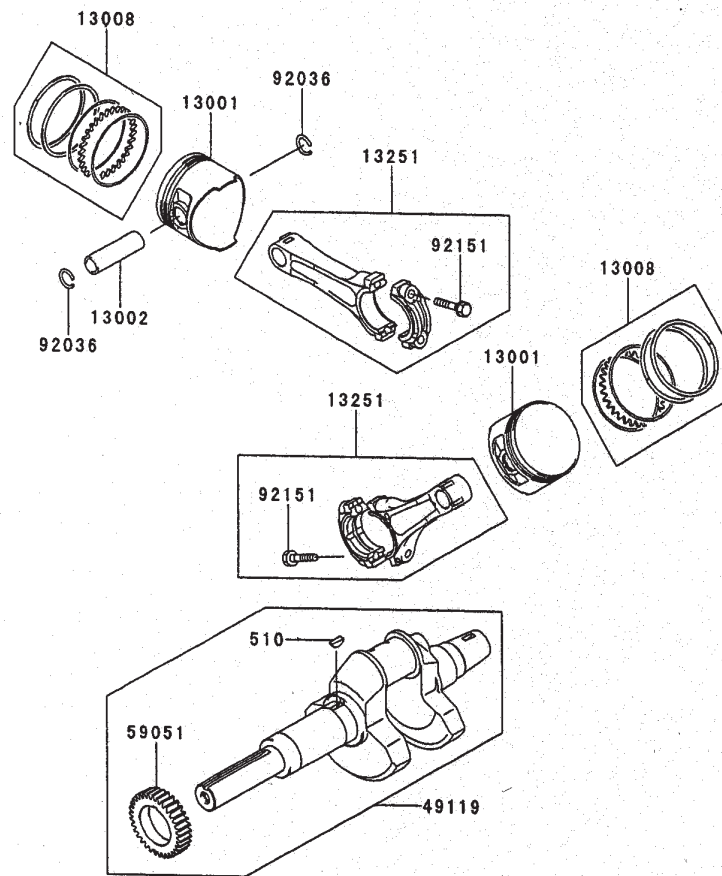


## Cylinder/Crankcase Assembly Kawasaki FD750D-AS03

Ref. No.	Part No.	Qty.	Description
11004	11004-2142	2	Gasket-Head
11008	11008-2145	1	Head-Comp-Cylinder
11008A	11008-2146	1	Head-Comp-Cylinder
11022	11022-2072	1	Case-Rocker
11022A	11022-2073	1	Case-Rocker
11060	11060-2466	1	Gasket, Breath
11060A	11060-2470	2	Gasket, Rocker, Case
13271	13271-2105	2	Plate
14091	14091-2064	1	Cover, Breath
16126	16126-2225	2	Valve, Breath
49015	49015-6232	1	Cover-Crankcase
49120	49120-6127	1	Crankcase-Comp
59071	59071-2079	1	Joint
92009	92009-2308	2	Screw
92043	92043-1037	6	Pin
92049	92049-2242	1	Seal-Oil
92049A	92049-2243	1	Seal-Oil
92093	92093-2086	1	Seal
92141	92141-2118	1	Bearing-Plane
92141A	92141-2119	1	Bearing-Plane
92151	92151-2158	4	Bolt
92151A	92151-2159	8	Bolt
92170	92170-2002	2	Clamp
92191	92191-2105	1	Tube

Ref. No.	Part No.	Qty.	Description
130	130G0630	8	Bolt-Flanged
130A	130G0830	4	Bolt-Flanged
130B	130G0845	4	Bolt-Flanged
130C	310G0860	4	Bolt-Flanged
172	172G0822	4	Bolt-Stud
670	670B2011	2	O-Ring

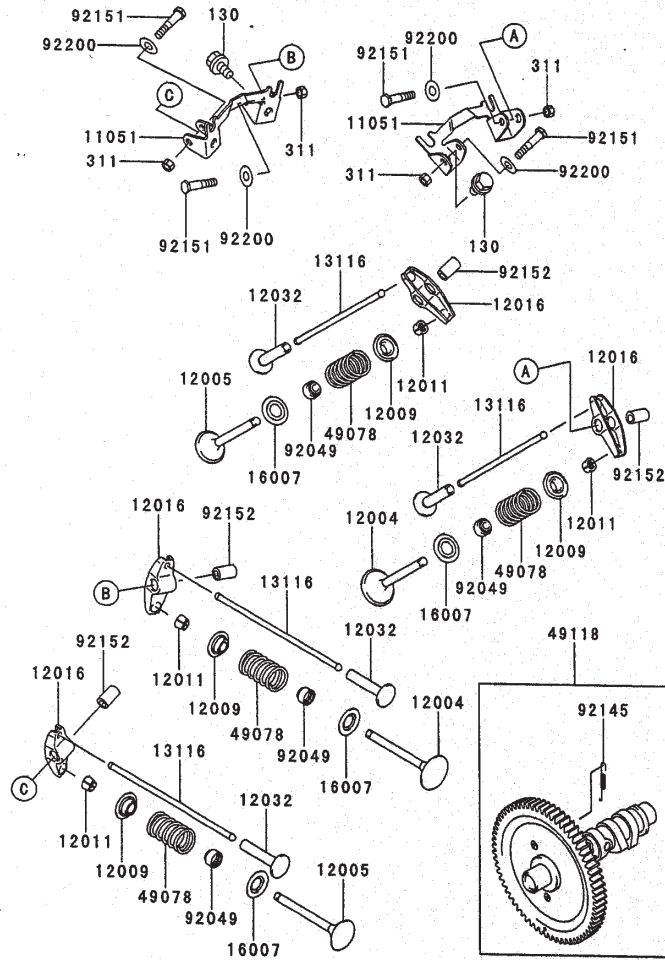
Obtain Parts from Kawasaki



## Piston/Crankshaft Assembly Kawasaki FD750D-AS03

Ref. No.	Part No.	Qty.	Description	Ref. No.	Part No.	Qty.	Description
13001	13001-2125	2	Piston-Engine				
13002	13002-2069	2	Pin-Piston				
13008	13008-6007	2	Ring-Set-Piston				
13251	13251-2058	2	Rod ASM-Connecting				
49119	49119-2198	1	Crankshaft ASM				
59051	59051-2358	1	Gear-Spur, 33T				
92036	92036-008	4	Ring-Snap				
92151	92151-2150	4	Bolt				
510	510A5100	1	Key-Woodruff				

Obtain Parts from Kawasaki

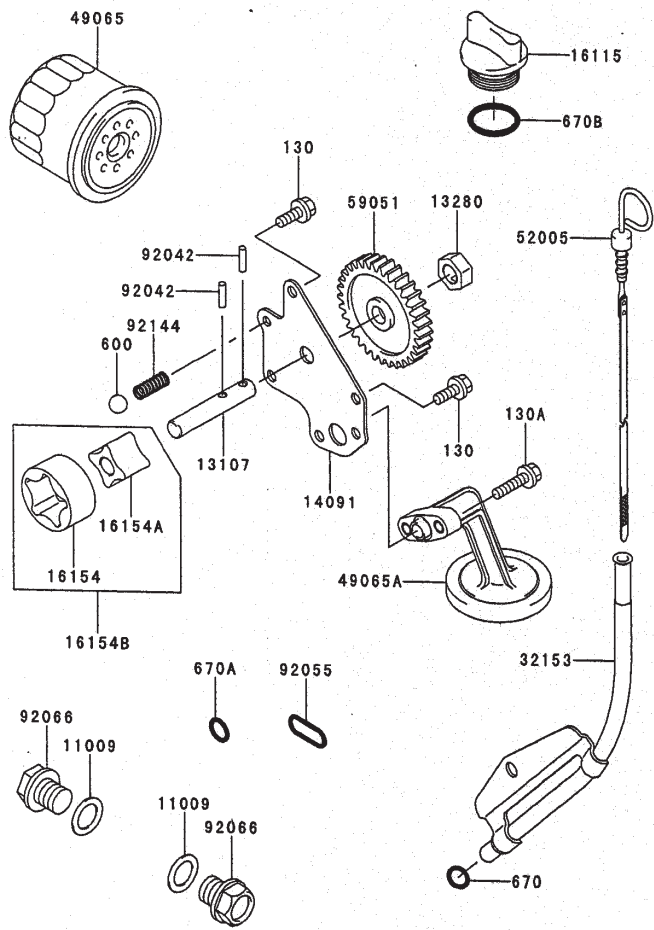


## Valve/Camshaft Assembly Kawasaki FD750D-AS03

Ref. No.	Part No.	Qty.	Description
11051	11051-2092	2	Bracket
12004	12004-2113	2	Valve-Intake
12005	12005-2100	2	Valve-Exhaust
12009	12009-2060	4	Retainer-Valve Spring
12011	12011-2052	8	Collet
12016	12016-2063	4	Arm-Rocker
12032	12032-2060	4	Tappet
13116	13116-2074	4	Rod-Push
16007	16007-2052	4	Seat-Spring
49078	49078-2060	4	Spring-Engine Valve
49118	49118-2138	1	Camshaft
92049	92049-2100	4	Seal-Oil
92145	92145-2085	1	Spring
92151	92151-2134	4	Bolt
92152	92152-2066	4	Collar
92200	92200-2128	4	Washer
130	130G0814	4	Bolt-Flanged
311	311B0600	4	Nut-Hex

Ref. No.	Part No.	Qty.	Description

Obtain Parts from Kawasaki

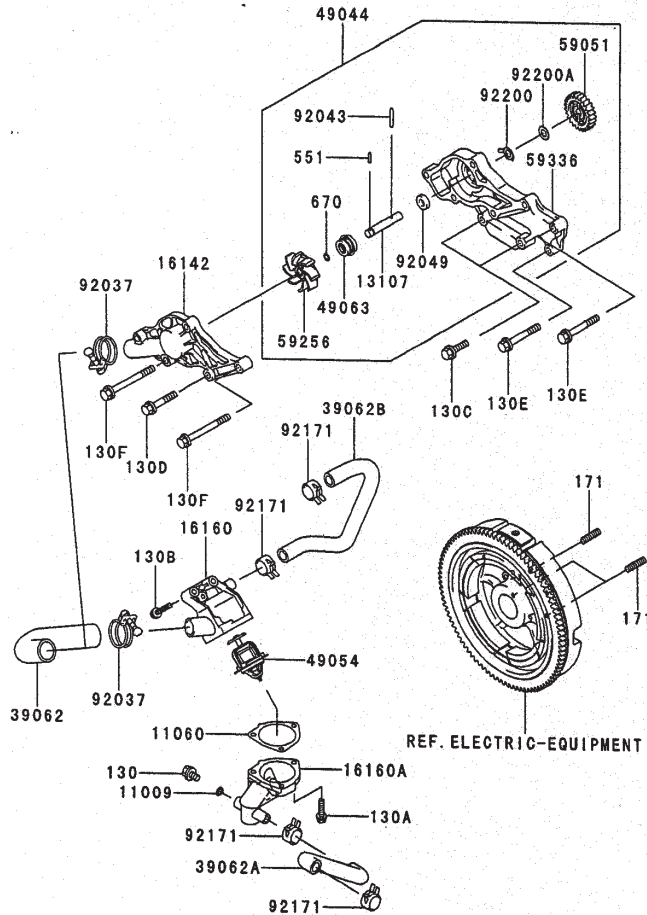


## Lubrication Equipment Assembly Kawasaki FD750D-AS03

Ref. No.	Part No.	Qty.	Description
11009	11009-2566	2	Gasket, Drain Plug
13107	13107-2281	1	Shaft, Oil Pump
13280	13280-2061	1	Holder, Oil Pump
14091	14091-2065	1	Cover, Oil Pump
16115	16115-2126	1	Cap-Oil Filler
16154	16154-1075	1	Rotor-Pump, Outer
16154A	16154-1076	1	Rotor-Pump, Inner
16154B	16154-1079	1	Rotor-Pump
32153	32153-2076-9H	1	Pipe, Oil Gauge
49065	49065-2071	1	Filter-Oil
49065A	49065-2082	1	Filter
52005	52005-2132	1	Gauge, Oil
59051	59051-2354	1	Gear-Spur, 33T
92042	92042-014	2	Pin
92055	92055-2086	1	O-Ring
92066	92066-2099	2	Plug, Drain
92144	92144-2053	1	Spring
130	130G0616	3	Bolt-Flanged
130A	130G0625	2	Bolt-Flanged
600	600A1300	1	Ball-Steel
670	670B2010	1	O-Ring
670A	670B2011	1	O-Ring
670B	670B3025	1	O-Ring

Ref. No.	Part No.	Qty.	Description

Obtain Parts from Kawasaki

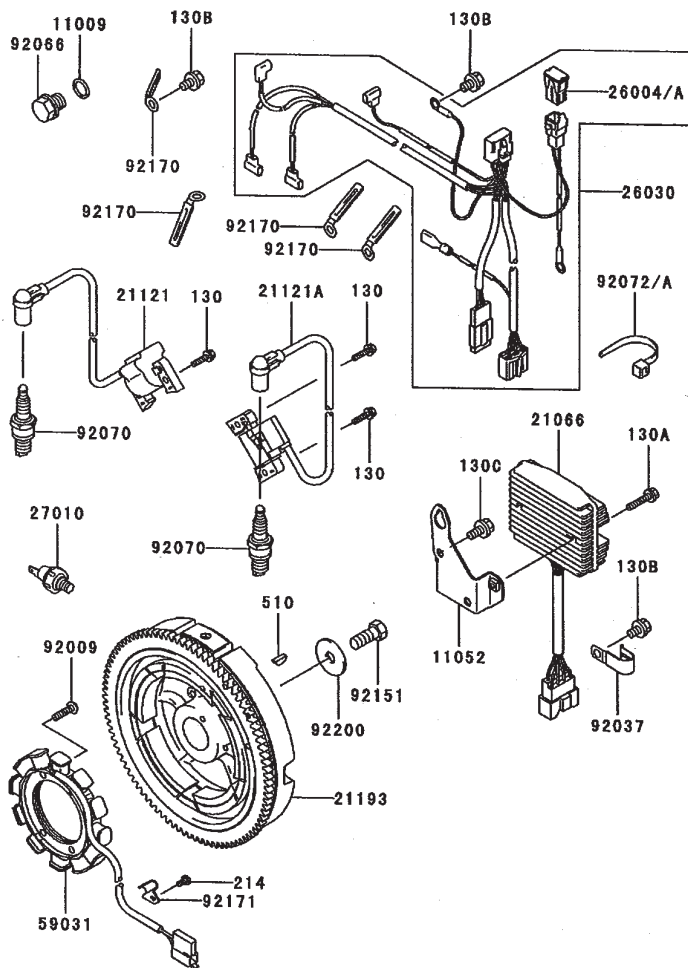


## Cooling Equipment Assembly Kawasaki FD750D-AS03

Ref. No.	Part No.	Qty.	Description
11009	11009-3028	1	Gasket
11060	11060-2475	1	Gasket-Thermostat
13107	13107-2097	1	Shaft-Impeller
16142	16142-2077	1	Cover-Pump
16160	16160-2127	1	Body-Upper
16160A	16160-6002	1	Body-Valve
39062	39062-2080	1	Hose-Cooling
39062A	39062-2083	1	Hose-Cooling
39062B	39062-2084	1	Hose-Cooling
49044	49044-2063	1	Pump-Water
49054	49054-2058	1	Thermostat
49063	49063-1054	1	Seal-Mechanical
59051	59051-2355	1	Gear-Spur, 25T
59256	59256-2069	1	Impeller
59336	59336-2078	1	Case-Pump
92037	92170-1284	2	Clamp
92043	92043-2237	1	Pin
92049	92049-2111	1	Seal-Oil
92171	92171-2056	4	Clamp
92200	92200-2134	1	Washer
92200A	92200-2135	1	Washer
130	130C0812	1	Bolt-Flanged
130A	130G0625	3	Bolt-Flanged
130B	130G0635	2	Bolt-Flanged

Ref. No.	Part No.	Qty.	Description
130C	130G0830	2	Bolt-Flanged
130D	130G0845	1	Bolt-Flanged
130E	130G0860	2	Bolt-Flanged
130F	130G0880	4	Bolt-Flanged
171	171G0818	3	Bolt-Stud
551	551A0314	1	Pin-Dowel
670	670B1507	1	O-Ring

Obtain Parts from Kawasaki

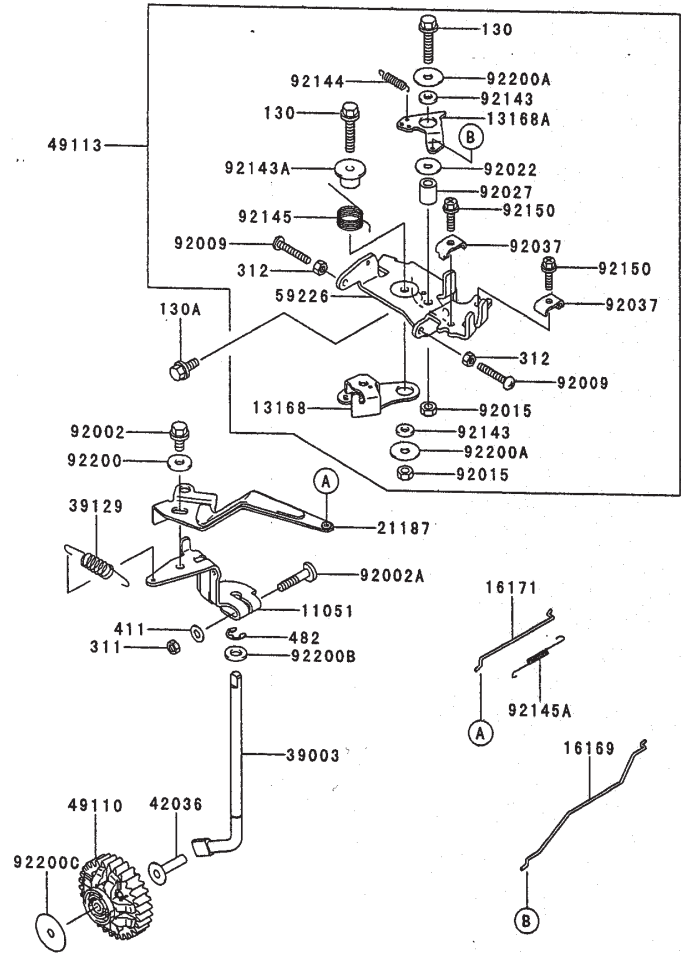


## Electric Equipment Assembly Kawasaki FD750D-AS03

Ref. No.	Part No.	Qty.	Description
11009	11009-2766	1	Gasket
11052	11052-2058	1	Bracket
21066	21066-2079	1	Regulator-Voltage
21121	21121-2090	1	Coil-Ignition, No. 1
21121A	21121-2091	1	Coil-Ignition, No. 2
21193	21193-2177	1	Flywheel ASM
26004	26004-1093	1	Fuse ASM
26030	26030-2320	1	Harness
27010	27010-7001	1	Switch
59031	59031-2127	1	Coil-Charging
92009	92009-2273	4	Scerw
92037A	92037-2101	1	Clamp
92066	92066-2099	1	Plug-Drain
92070	92070-2110	2	Plug-Spark, BPR2ES
92072	92072-1195	1	Band
92151	92151-2097	1	Bolt
92170	92170-2060	4	Clamp
92171	92171-2060	1	Clamp
92200	92200-2119	1	Washer
130	130G0520	1	Bolt-Flanged
130A	130G0630	2	Bolt-Flanged
130B	130G0812	3	Bolt-Flanged
130C	130G0816	2	Bolt-Flanged
214	214B0510	1	Screw-Pan+

Ref. No.	Part No.	Qty.	Description
510	510A5100	1	Key-Woodruff

Obtain Parts from Kawasaki

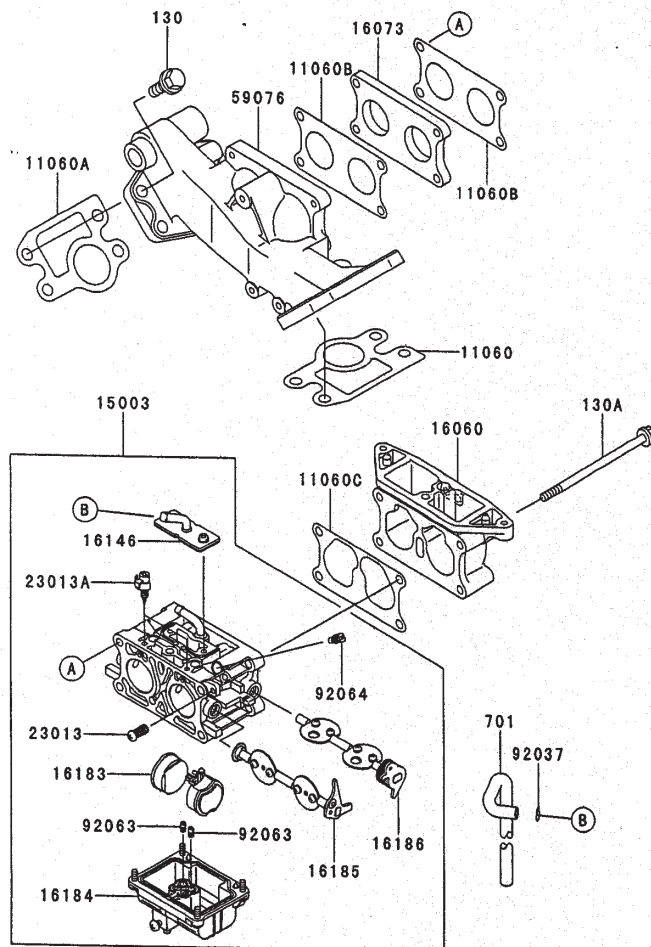


### Control Equipment Assembly Kawasaki FD750D-AS03

Ref. No.	Part No.	Qty.	Description
	11051	1	Bracket
	13168	1	Lever-Throttle
13168A	13168-2467	1	Lever-Choke
	16169	1	Link-Choke
	16171	1	Link
	21187	1	Arm ASM
	39003	1	Arm-Pivot
	39129	1	Spring-Governor
	42036	1	Sleeve
	49110	1	Governor ASM
	49113	1	Panel-Comp-Control
	59226	1	Panel-Control
	92002	1	Bolt
92002A	92002-2269	1	Bolt
	92009	2	Screw
	92015	2	Nut
	92022	1	Washer
	92027	1	Collar
	92037	2	Clamp
	92143	2	Collar
92143A	92143-2148	1	Collar
	92144	1	Spring
	92145	1	Spring
92145A	92145-2095	1	Spring

Ref. No.	Part No.	Qty.	Description
	92150	2	Bolt
	92200	1	Washer
92200A	92200-2108	2	Washer
	92200B	1	Washer
92200C	92200-2122	1	Washer
	130	2	Bolt-Flanged
	130A	2	Bolt-Flanged
	311	2	Nut-Hex
	312	2	Nut-Hex
	411	1	Washer
	482	1	Circlip-Type E

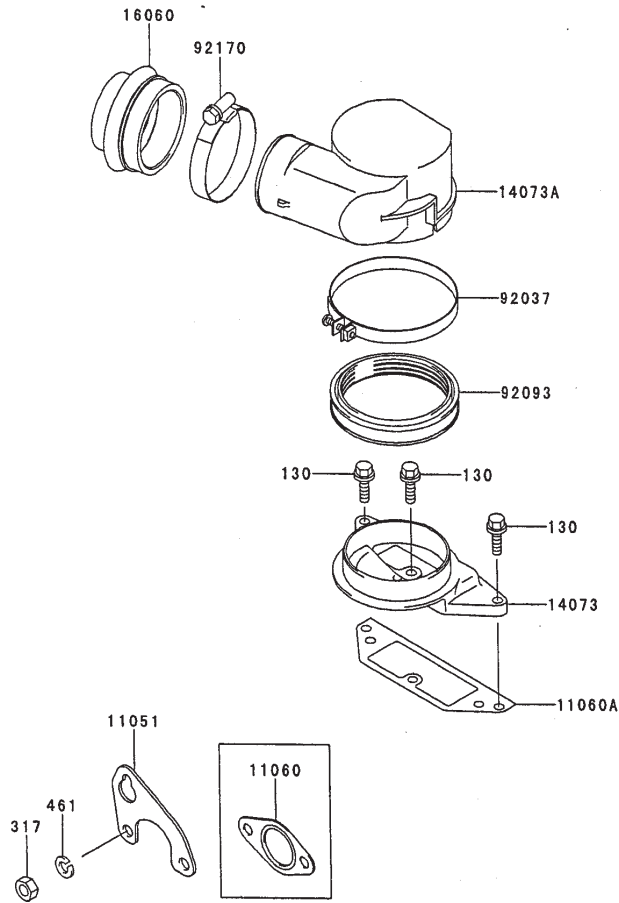
Obtain Parts from Kawasaki



## Carburetor Assembly Kawasaki FD750D-AS03

Ref. No.	Part No.	Qty.	Description	Ref. No.	Part No.	Qty.	Description
11060	11060-2468	1	Gasket-Intake				
11060A	11060-2469	1	Gasket-Intake				
11060B	11060-2471	2	Gasket-Intake Pipe				
11060C	11060-2473	1	Gasket-Carburetor				
15003	15003-2776	1	Carburetor ASM				
16060	16060-2194	1	Pipe-Intake				
16073	16073-2206	1	Insulator				
16146	16146-2227	1	Cover ASM				
16183	16183-2006	1	Float ASM				
16184	16184-2004	1	Float Chamber ASM				
16185	16185-2036	1	Throttle Valve ASM				
16186	16186-2036	1	Choke Valve ASM				
23013	23013-2059	1	Screw ASM				
23013A	23013-2060	1	Screw ASM				
59076	59076-2065	1	Manifold-Intake				
92037	92037-1610	1	Clamp				
92063	92063-2400	2	Jet-Main				
92064	92064-2113	2	Jet-Pilot				
130	130G0825	8	Bolt-Flanged				
130A	130T06110	4	Bolt-Flanged				
701	701Q061000	1	Tube-PVC				

Obtain Parts from Kawasaki

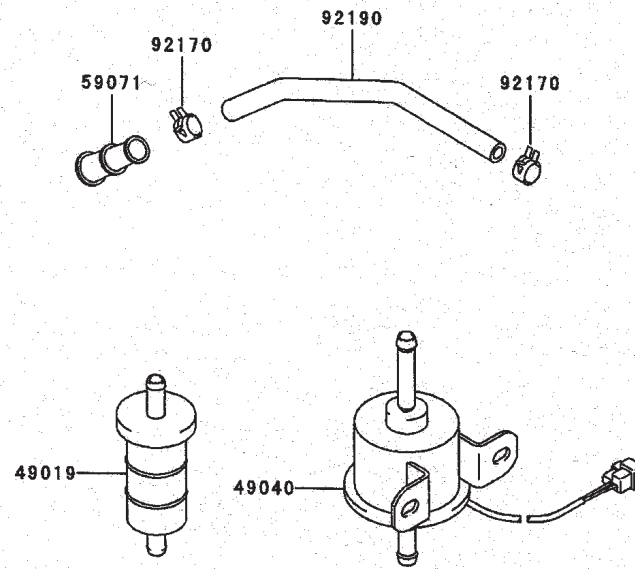


### Air Filter/Muffler Assembly Kawasaki FD750D-AS03

Ref. No.	Part No.	Qty.	Description
11051	11051-2088	1	Bracket
11060	11060-2467	2	Gasket-Muffler
11060A	11060-2474	2	Gasket-Air Filter
14073	14073-2075	1	Duct-Lower
14073A	14073-2076	1	Duct-Upper
16060	16060-2197	1	Pipe-Intake
92037	92037-1654	1	Clamp
92093	92093-2118	1	Seal
92170	92170-2075	1	Clamp
130	130G0620	3	Bolt-Flanged
317	317R0800	1	Nut-Hex
461	461F0800	1	Washer-Spring

Ref. No.	Part No.	Qty.	Description

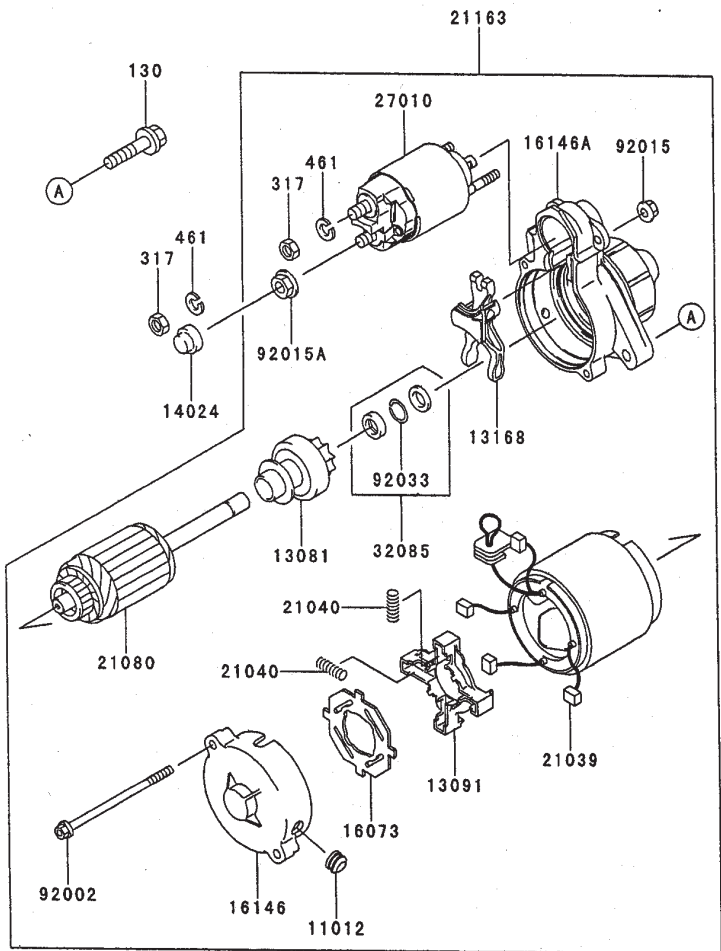
Obtain Parts from Kawasaki



## Fuel Tank/Fuel Valve Assembly Kawasaki FD750D-AS03

Ref. No.	Part No.	Qty.	Description	Ref. No.	Part No.	Qty.	Description
49019	49019-1055	1	Filter-Fuel				
49040	49040-2065	1	Pump-Fuel				
59071	59071-2119	1	Joint				
92170	92170-2042	2	Clamp				
92190	92190-2095	1	Tube				

Obtain Parts from Kawasaki



## Starter Assembly Kawasaki FD750D-AS03

Ref. No.	Part No.	Qty.	Description
11012	11012-2226	1	Cap
13081	13081-2108	1	Clutch ASM
13091	13091-2068	1	Holder-Brush
13168	13168-2131	1	Lever-Shift
14024	14024-2205	1	Cover
16073	16073-2098	1	Insulator
16146	16146-2187	1	Cover ASM
16146A	16146-2225	1	Cover ASM
21039	21039-2059	4	Brush
21040	21040-2052	4	Spring-Brush
21080	21080-2054	1	Armature
21163	21163-2120	1	Starter-Electric
27010	27010-2122	1	Switch
32085	32085-2097	1	Stopper
92002	92002-2277	2	Bolt
92015	92015-2146	2	Nut
92015A	92015-2147	1	Nut
92033	92033-2081	1	Ring-Snap
130	130G0835	2	Bolt-Flanged
317	317B0800	2	Nut-Hex
461	461F0800	2	Washer-Spring

Ref. No.	Part No.	Qty.	Description
----------	----------	------	-------------

Obtain Parts from Kawasaki

# Maintenance Record

Date								

