



Z287L

Z-Master[®] with 72in SFS Side Discharge Mower

Model No. 74214—230000001 and Up

Parts Catalog

Ordering Replacement Parts

To order replacement parts, please supply: the part number, the quantity, and the description of each part desired.

Understanding Reference Numbers

Each identified part in an illustration has a reference number. The reference number for a part also appears in the parts list, along with other information about the part.

This catalog uses two special reference number formats, one to indicate parts in a service assembly and another to indicate the quantity of a given part in an illustration.

Service Assembly Reference Numbers

Parts in service assemblies have reference numbers in the form **a:b**. The **a** represents the reference number of the entire service assembly and the **b** represents a sequential number unique to each part within the service assembly.

For example, a wheel assembly might be identified by reference number **6**, the tire by **6:1**, the valve by **6:2**, and the wheel by **6:3**. When you order the assembly identified by reference number **6**, you receive all parts identified by reference numbers **6:1**, **6:2**, and **6:3**. However, you may also order any part individually.

Reference numbers of this type appear in illustrations and in part lists.

Reference Numbers Indicating Quantity

In an illustration, if a reference number indicates more than one part, the reference number has the form **nX y**. The **n** represents the quantity of the part, the **X** is the multiplication symbol, and the **y** represents the reference number.

For example, in an illustration, the reference number **2X 37** means that two of the parts identified by reference number **37** are indicated.

Contents

Description	Page	Description	Page
Front Frame Assembly	4	Cylinder/Crankcase Assembly	
Caster and Wheel Assembly	5	Kawasaki FD750D–AS03	26
Main Frame Assembly	6	Piston/Crankshaft Assembly	
Brake and Wheel Hub Assembly	7	Kawasaki FD750D–AS03	27
Steering Controls Assembly	8	Valve/Camshaft Assembly	
Hydraulic System Assembly	9	Kawasaki FD750D–AS03	28
Seat Assembly	11	Lubrication Equipment Assembly	
Seat Assembly No. 99–8522	12	Kawasaki FD750D–AS03	29
Deck Connection Assembly	13	Cooling Equipment Assembly	
Drive Idler Assembly	14	Kawasaki FD750D–AS03	30
Z–Stand Assembly	15	Electric Equipment Assembly	
Engine, Clutch and Air Cleaner Assembly	16	Kawasaki FD750D–AS03	31
Cooling System Assembly	17	Control Equipment Assembly	
Hood Assembly	18	Kawasaki FD750D–AS03	32
Cooling Mounting Frame Assembly	19	Carburetor Assembly	
Fuel System Assembly	20	Kawasaki FD750D–AS03	33
Electrical System Assembly	21	Air Filter/Muffler Assembly	
Deck, Decal and Wheel Assembly	22	Kawasaki FD750D–AS03	34
Deck, Pulley and Deflector Assembly	23	Fuel Tank/Fuel Valve Assembly	
Deck, Belt and Idler Arm Assembly	24	Kawasaki FD750D–AS03	35
Electrical Schematic	25	Starter Assembly	
		Kawasaki FD750D–AS03	36

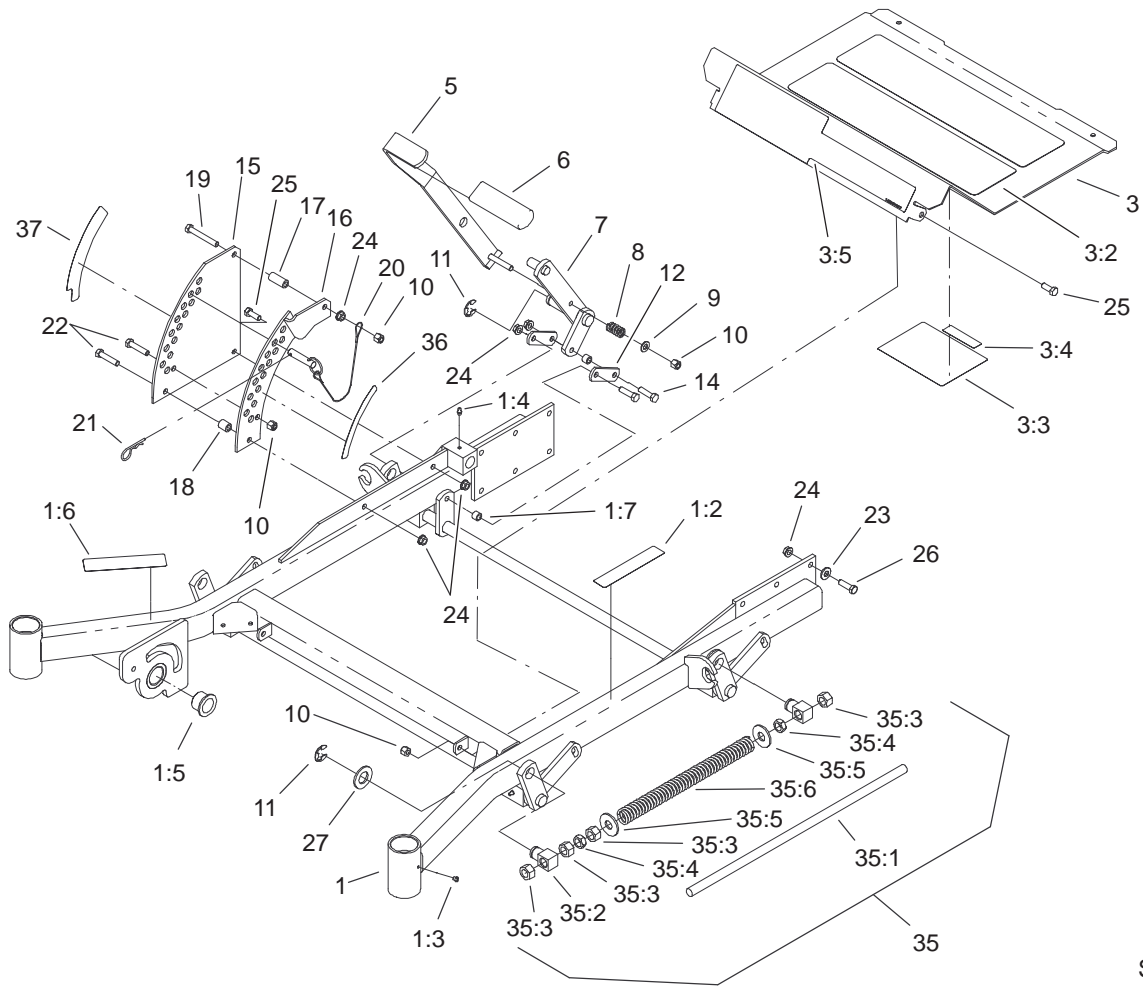
Accessories

Description	Model / Part No.	Description	Model / Part No.
Striping Kit	30163	Muffler with Arrester Kit	105–1678
Hitch Kit	99–8925	Z Recycler Kit	100–9678
Atomic Blade	104–1304		

Part Description Abbreviations

Part descriptions in this catalog may include the following abbreviations.

Abbreviation	Meaning	Abbreviation	Meaning
AR	as required	HYD	hydraulic
ASM	assembly	INC	incorporated
CARR	carriage	LH	left hand
DEG	degrees	NI	nylon insert
FH	flat head	PPH	Phillips pan head
GA	gauge	PTH	Phillips truss head
HF	hex flange	PTO	power take off
HH	hex head	RH	right hand
HHF	hex head flange	SFH	slotted fillister head
HLH	hex lag head	SHH	slotted hex head
HJ	hex jam	SQH	square head
HOC	height-of-cut	SHWH	slotted hex washer head
HS	hex socket	SPH	slotted pan head
HSBH	hex socket button head	SRH	slotted round head
HSFH	hex socket flat head	STD	standard
HSH	hex socket head	TAP	self tapping
HWH	hex washer head	TTH	Torx truss head
HWHTF	hex washer head thread forming	WH	wing head



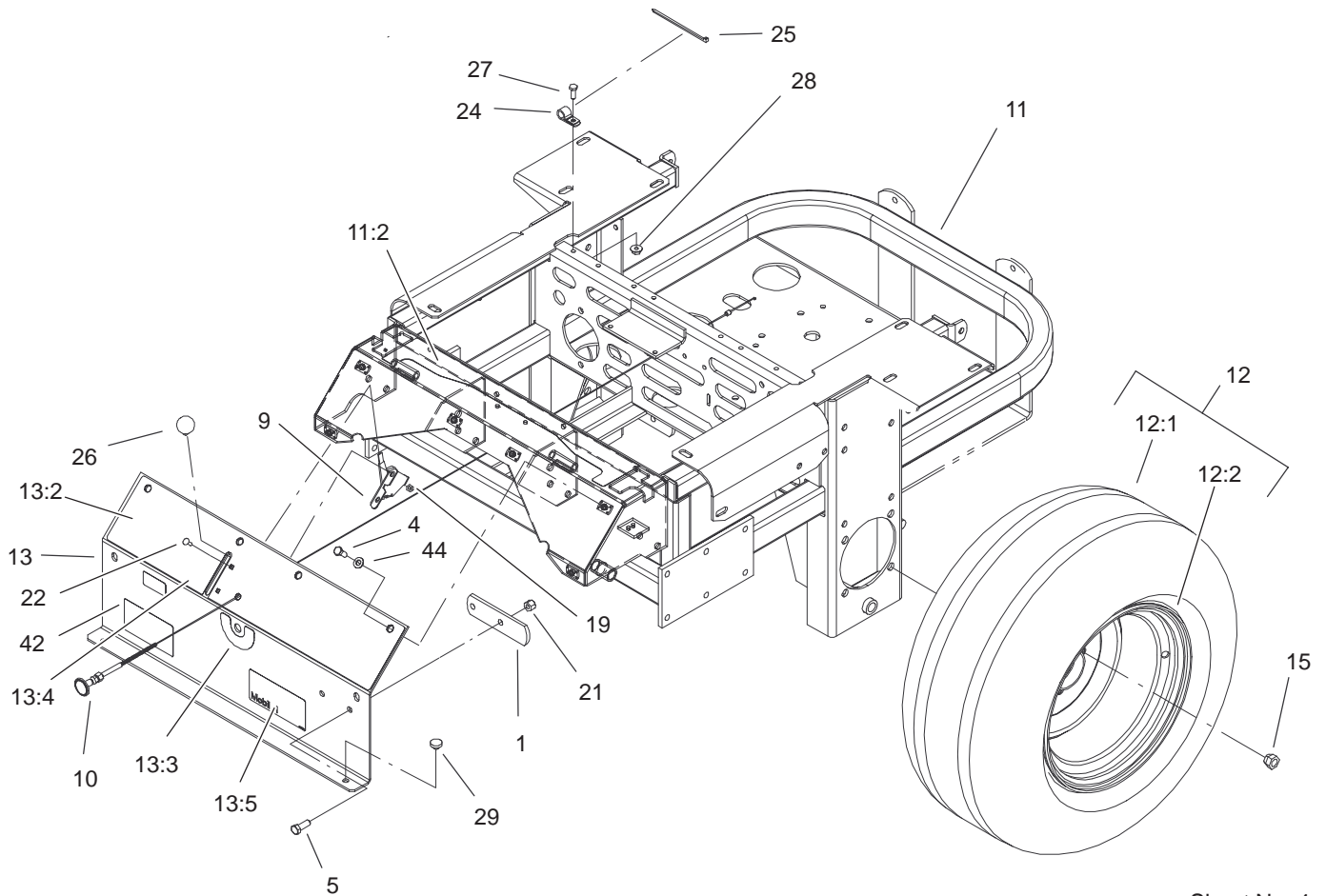
Sheet No.:2

Front Frame Assembly

Ref. No.	Part No.	Qty.	Description
1	104-5133	1	Frame ASM
1:2	1-633818	1	Decal-Warning
1:3	1-811010	2	Plug
1:4	302-19	5	Fitting-Grease
1:5	94-1291	2	Bushing-Special
1:6	104-7759	1	Decal-Warning
1:7	103-1918	1	Bushing
3	100-6509	1	Floorpan ASM
3:2	1-633553	3	Pad-Antiskid
3:3	1-633766	1	Decal-Check
3:4	98-5954	1	Decal-Missing, Cover
3:5	1-633737	1	Decal-Z Master
5	103-2083-03	1	Lever-Lift
6	1-633295	1	Grip-Lever, Lift
7	103-2064-03	1	Arm-Lift, Deck
8	1-633325	1	Spring-Compression
9	3256-24	1	Washer-Flat
10	3296-39	5	Nut-Lock, NI
11	32151-103	5	Ring-Snap
12	1-633068	2	Arm-Lift, Deck
14	323-29	2	Screw-HH
15	1-633889-01	1	Plate-Lift, Deck
16	1-632899-01	1	Plate-Lift, Deck
17	1-633082	1	Bushing-Lever, Lift
18	1-633080	1	Bushing-Lever, Lift
19	323-13	1	Screw-HH

Ref. No.	Part No.	Qty.	Description
20	1-633097	1	Pin-Hitch W/Lanyard
21	1-806005	1	Pin-Hair
22	323-9	2	Screw-HH
23	98-5975	12	Washer-Belleville
24	3290-357	17	Nut-HHF
25	323-6	3	Screw-HH
26	323-7	12	Screw-HH
27	3256-29	4	Washer-Flat
☆35		2	Front Frame Spring ASM
35:1	1-633096	1	Rod-Lift, Deck
35:2	1-633441	2	Swivel-Deck Mount, Rear
35:3	3217-11	4	Nut-Hex
35:4	3218-6	2	Nut-Jam
35:5	3256-7	2	Washer-Flat
35:6	1-633064	1	Spring-Support, Deck
36	1-633706	1	Decal-Height, Deck
37	1-633345	1	Decal-Height, Deck

☆ Not serviced separately

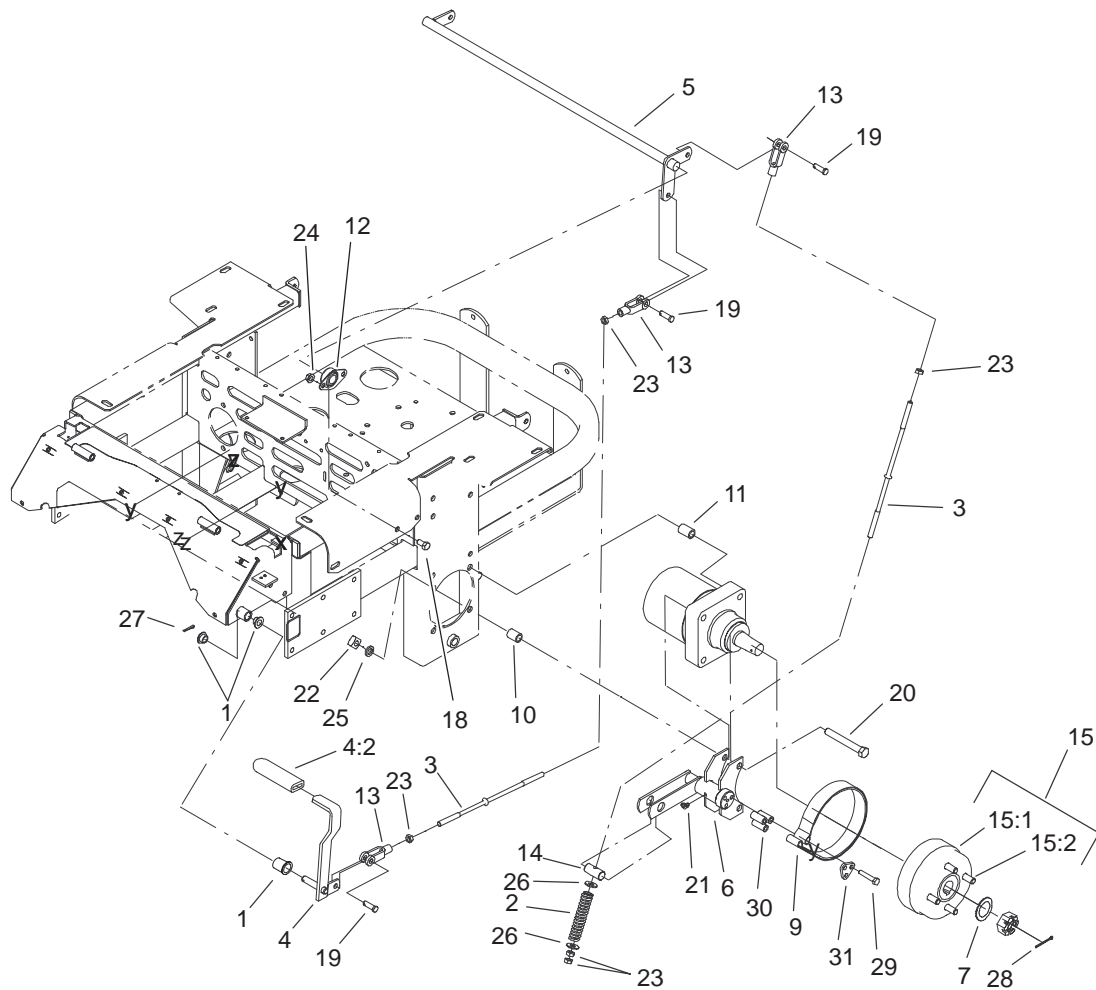


Sheet No.:4

Main Frame Assembly

Ref. No.	Part No.	Qty.	Description
1	1-633964-03	1	Stop-Brake, Park
4	322-3	6	Screw-HH
5	323-6	2	Screw-HH
9	1-633696	1	Cable-Throttle
10	1-603336	1	Control-Choke
11	105-3648	1	Main Frame ASM
11:2	103-2433	1	Decal-Console, Top
12	1-633970	2	Wheel And Tire ASM
12:1	1-633993	1	Tire
12:2	1-633992	1	Wheel
13	99-4623	1	Console ASM
13:2	100-4311	1	Decal-Panel, Control
13:3	103-0262	1	Decal-Valve, Fuel
13:4	98-4387	1	Decal-Protection, Ear
13:5	104-8172	1	Decal-Mobil 1
15	242-50	8	Nut-Lug
19	3296-2	2	Nut-Lock
21	3296-39	2	Nut-Lock, NI
22	1-807513	2	Bolt-CARR
24	1-513762	1	Clip-Loom
25	1-303335	1	Tie-Plastic
26	1-513592	1	Knob-Ball
27	321-4	1	Screw-HH
28	32128-33	1	Nut-HF
29	1-513658	2	Bumper-Catcher, Grass

Ref. No.	Part No.	Qty.	Description
42	104-7787	1	Decal-Z287I
44	3256-23	6	Washer-Flat



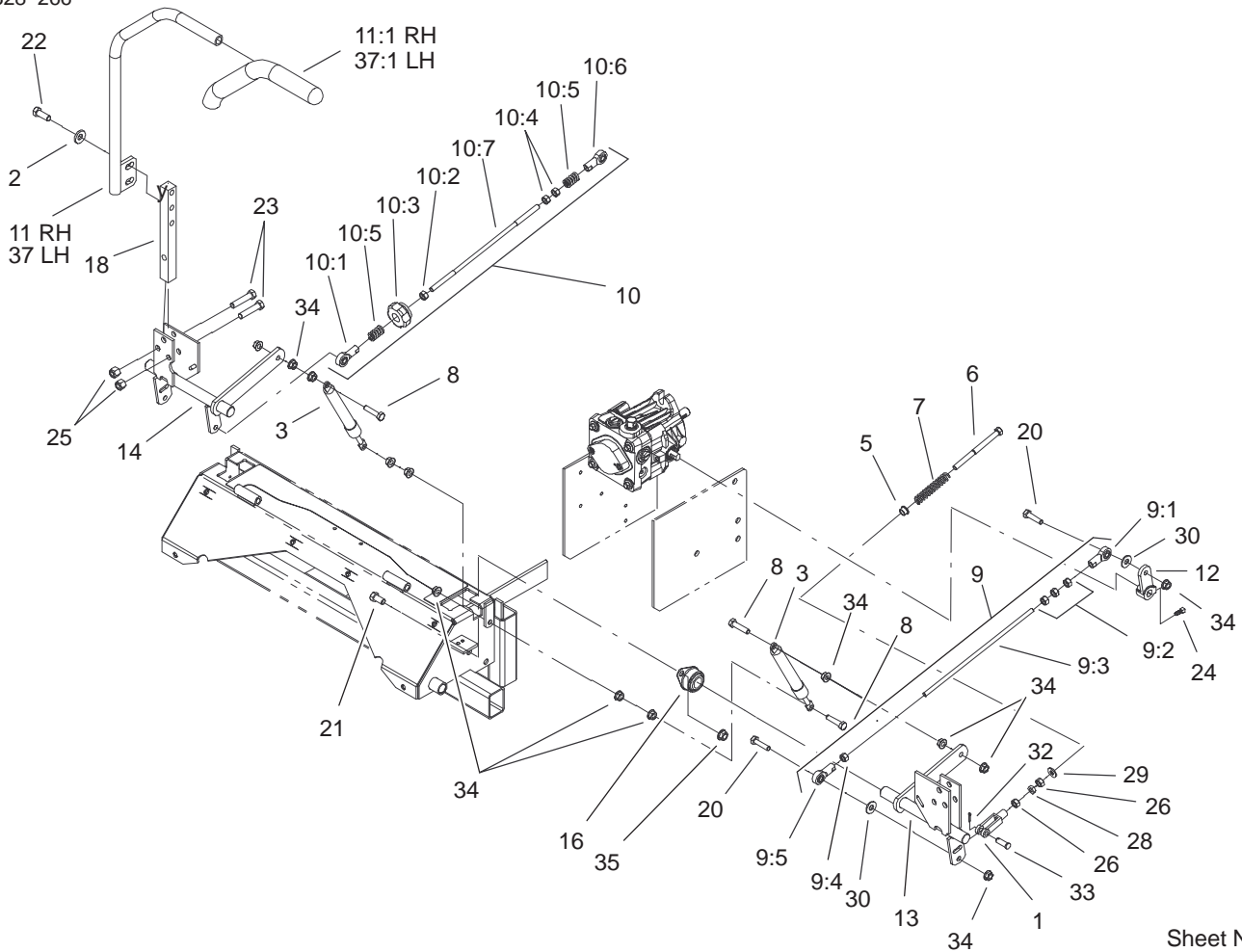
Sheet No.:5

Brake and Wheel Hub Assembly

Ref. No.	Part No.	Qty.	Description
1	1-513140	2	Bearing-Control
2	1-633454	2	Spring-Brake
3	1-633477	3	Rod-Brake
4	1-634500	1	Brake Lever ASM
4:2	1-633268	1	Grip-Lever, Brake
5	1-632217-03	1	Shaft-Brake
6	103-0354-03	2	Bracket-Brake
7	1-523157	2	Washer-Spacer
9	103-0355	2	Band-Brake
10	1-633060	4	Spacer-Wheel, Short
11	1-633062	4	Spacer-Wheel, Long
12	1-633102	2	Bearing-Flange, Side
13	1-633131	4	Yoke-Linkage, Brake
14	1-633144	2	Pin-Trunion
15	103-0590	2	Hub-Wheel
15:1	103-0589	1	Hub-Wheel
15:2	1-633926	4	Stud-Wheel
18	323-4	4	Screw-HH
19	103-2399	4	Pin-Spring, Clevis
20	325-20	8	Screw-HH
21	302-19	2	Fitting-Grease
22	103-0131	8	Nut-Square
23	3219-3	8	Nut-HH
24	3290-357	4	Nut-HHF
25	3253-7	8	Washer-Lock
26	3256-4	4	Washer-Flat

Ref. No.	Part No.	Qty.	Description
27	3272-10	1	Pin-Cotter
28	1-806800	2	Pin-Cotter
29	322-9	6	Screw-HH
30	103-0384	6	Spacer
31	103-0374	2	Retainer-Band, Brake

3328-266



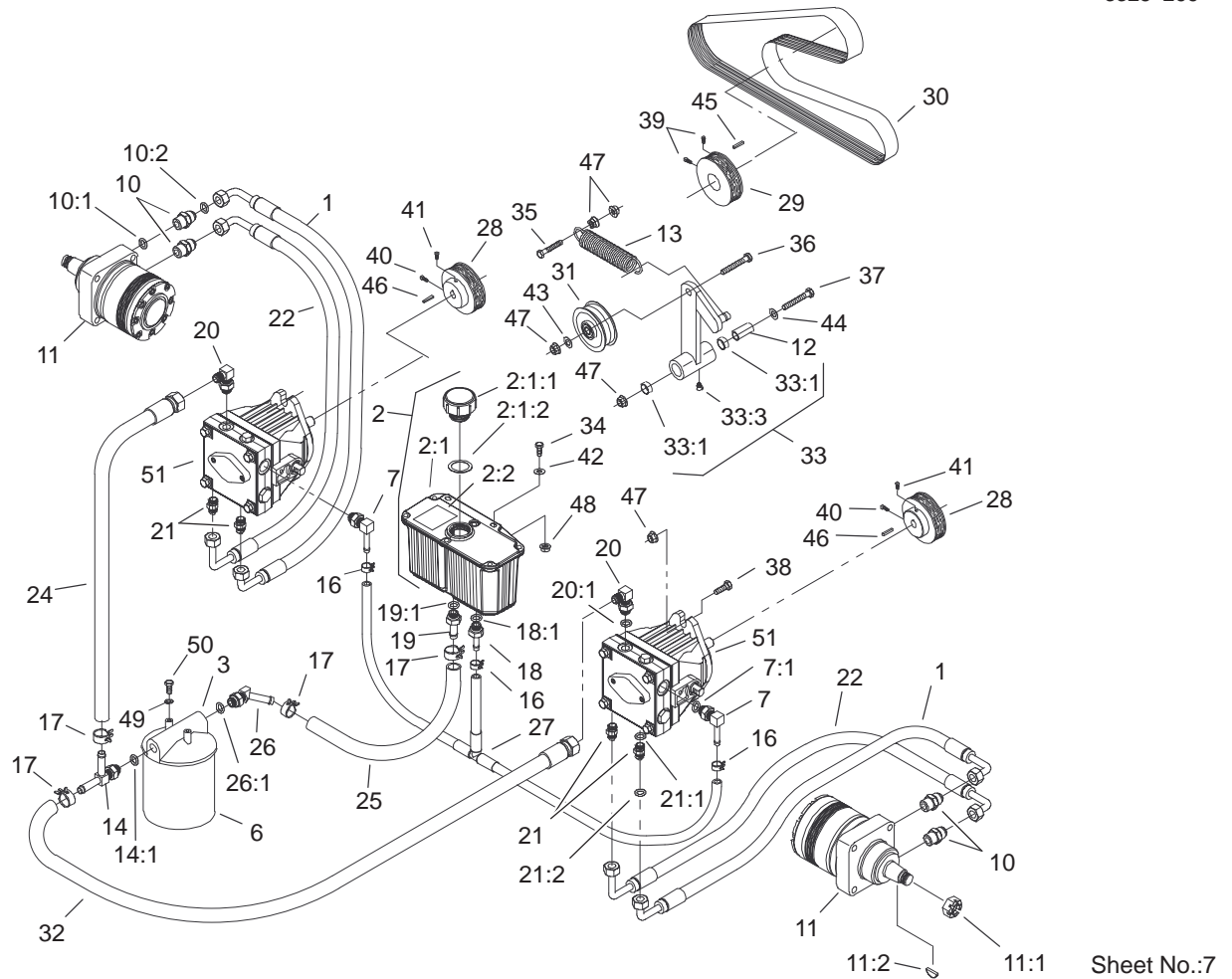
Sheet No.:6

Steering Controls Assembly

Ref. No.	Part No.	Qty.	Description
1	1-303105	2	Yoke-Adjustable
2	98-5975	4	Washer-Belleville
3	103-2913	2	Damper-Control, Motion
5	1-603735	2	Bushing-Flanged
6	1-603737	2	Bolt-Return, Neutral
7	1-603807	2	Spring-Return, Neutral
8	1-403180	4	Screw-HH
☆9		1	Rod/Balljoint ASM
9:1	1-543017	1	Balljoint-RH
9:2	3219-2	3	Nut-Hex
9:3	1-633153	1	Linkage-Pump/Lever
9:4	1-804524	1	Nut
9:5	1-633152	1	Balljoint-Thread, LH
☆10		1	Tracking Rod ASM
10:1	1-543017	1	Balljoint-RH
10:2	3219-2	1	Nut-Hex
10:3	103-3060	1	Knob-Tracking
10:4	1-804524	2	Nut
10:5	1-323245	2	Spring-Compression
10:6	1-633152	1	Balljoint-Thread, LH
10:7	103-3064	1	Link-Rod, Tracking
11	103-0632	1	RH Lever ASM
11:1	1-633257	1	Grip-Control, Motion
12	1-632208	2	Arm-Control, Pump

Ref. No.	Part No.	Qty.	Description
13	1-642319	1	Control-Motion, LH
14	1-642320	1	Control-Motion, RH
16	1-633102	4	Bearing-Flange, Side
18	103-0407	2	Arm-Shaft, Control
20	322-6	4	Screw-HH
21	323-4	8	Screw-HH
22	323-6	4	Screw-HH
23	323-9	6	Screw-HH
24	1-803022	2	Screw-Set
25	3296-39	6	Nut-Lock, NI
26	3219-2	4	Nut-Hex
28	3220-2	2	Nut
29	3256-2	2	Washer-Flat
30	3256-3	4	Washer-Flat
32	3272-5	2	Pin-Cotter
33	1-808280	2	Pin-Clevis
34	32128-20	16	Nut-HF
35	3290-357	8	Nut-HHF
37	103-0631	1	LH Lever ASM
37:1	1-633257	1	Grip-Control, Motion

☆ Not serviced separately



Sheet No.:7

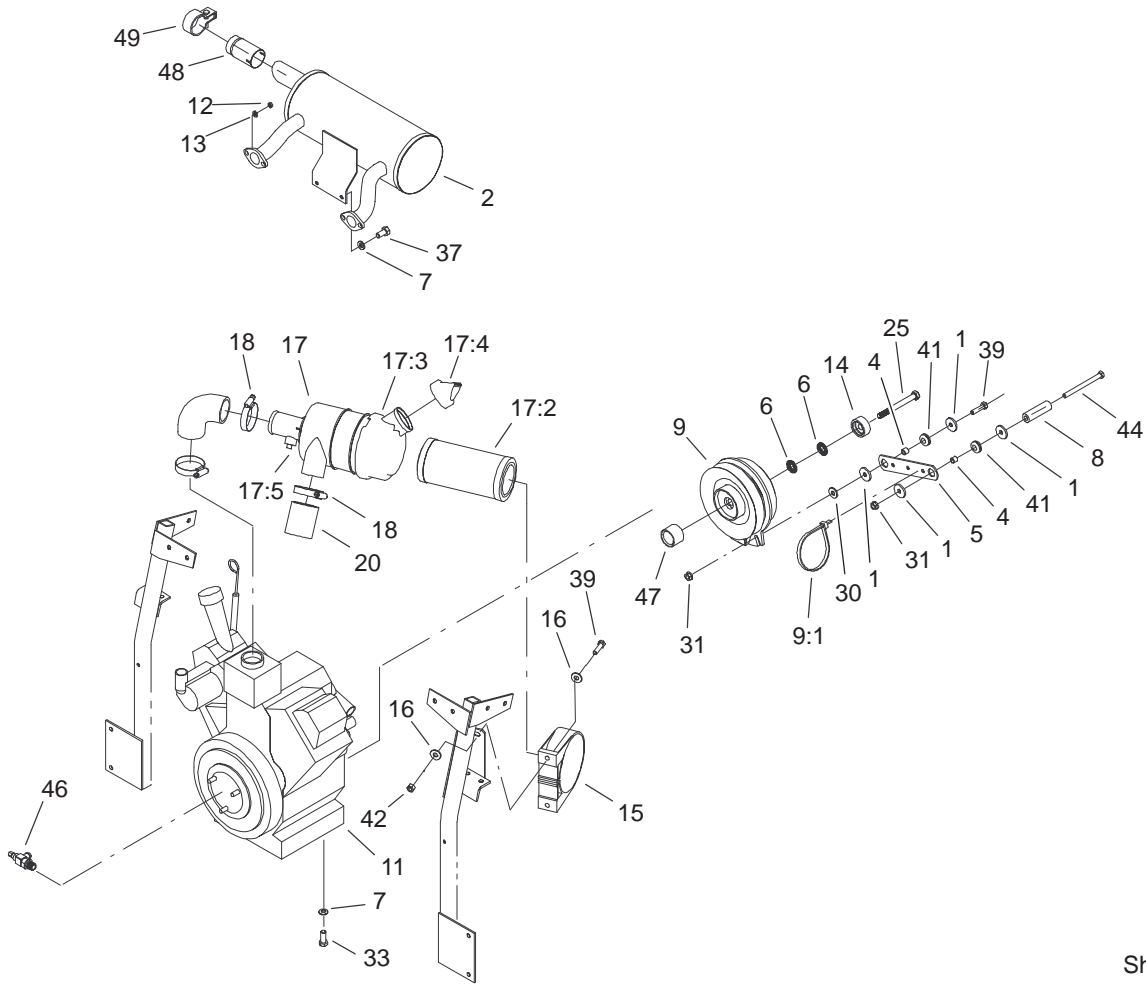
Hydraulic System Assembly

Ref. No.	Part No.	Qty.	Description
1	1-633776	2	Upper Hose ASM
2	103-1947	1	HYD Reservoir ASM
☆2:1		1	Reservoir-HYD
2:1:1	103-1948	1	Cap-Reservoir, HYD
2:1:2	103-1949	1	Gasket-Cap
2:2	1-523552	1	Decal-Tank, HYD
3	104-7836	1	Head-Filter
6	1-633750	1	Filter-HYD
6	1-633752	1	Filter-HYD, Winter
7	103-1799	2	Elbow-90°
7:1	237-42	1	O-Ring
10	1-633786	4	Fitting-90°
10:1	237-80	1	O-Ring
10:2	1-603992	1	O-Ring
11	1-523328	2	Motor-Wheel
11:1	1-809036	1	Nut-HH
11:2	3257-42	1	Key-Woodruff
*11:99	1-000099	1	Seal Kit
*11:99	1-000139	1	Bearing Kit
*11:99	103-2748	1	Drive Link Kit
12	1-603384	1	Bushing-Pivot, Idler
13	1-633151	1	Spring-Extension
14	103-1828	1	Adapter-Run, Tee
14:1	237-42	1	O-Ring
16	103-1716	3	Clamp-Hose
17	103-1988	4	Clamp-Hose

Ref. No.	Part No.	Qty.	Description
18	103-1801	1	Adapter-Straight
18:1	237-42	1	O-Ring
19	103-1912	1	Adapter-Straight
19:1	237-42	1	O-Ring
20	103-1802	2	Elbow-HYD, 90°
20:1	237-42	1	O-Ring
21	1-603990	4	Fitting-Straight
21:1	237-79	1	O-Ring
21:2	1-603992	1	O-Ring
22	103-1863	2	Hose-Lower
24	103-1826	1	HYD Hose ASM
25	103-1808	1	Hose-HYD
26	103-1807	1	Elbow-45°
26:1	237-42	1	O-Ring
27	103-1806	1	HYD Hose ASM
28	1-633568	2	Sheave
29	1-633567	1	Sheave
30	1-633749	1	Belt-Drive, Pump
31	1-633167	1	Sheave-Idler
32	103-1827	1	HYD Hose ASM
33	1-634277	1	Bearing Arm ASM
33:1	1-513034	2	Sleeve-Bearing
33:3	302-40	1	Fitting-Grease
34	321-6	2	Screw-HH
35	323-8	1	Screw-HH
36	323-9	1	Screw-HH

☆ Not serviced separately

* Not illustrated



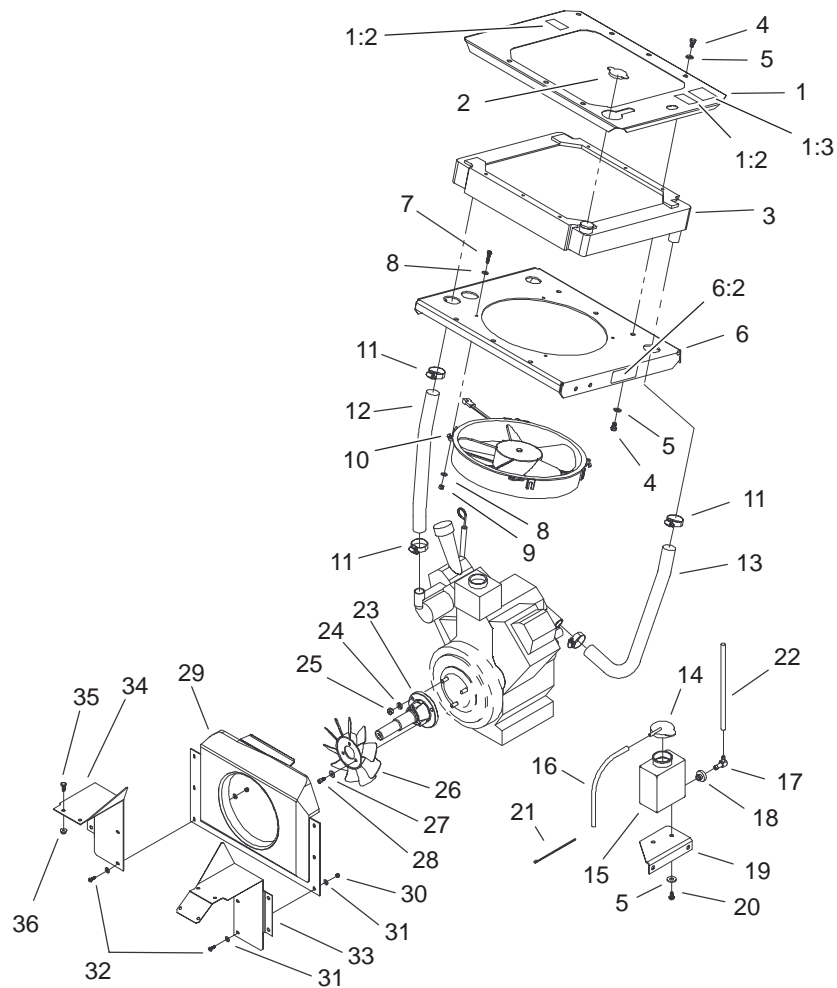
Sheet No.:14

Engine, Clutch and Air Cleaner Assembly

Ref. No.	Part No.	Qty.	Description
1	1-613235	4	Washer
2	103-0059	1	Muffler
4	1-633545	2	Spacer-Grommet
5	1-633543-03	1	Strap-Clutch, Brake
6	1-603610	2	Washer-Spring
7	1-303334	6	Washer-Spring
8	1-643008	1	Spacer-Anchor, Clutch
9	103-1364	1	Clutch
9:1	1-303335	1	Tie-Plastic
☆11		1	Engine-Kawasaki, FD750D-AS03
12	33013-00	4	Nut-Hex
13	1-805004	4	Washer-Lock
14	103-0152	1	Keeper-Clutch
15	95-5806	1	Bracket-Mounting
16	3256-3	4	Washer-Flat
17	95-5805	1	Air Cleaner ASM
17:2	93-2195	1	Filter
17:3	94-3652	1	Cover ASM
17:4	94-1414	1	Valve-Vacuator
17:5	285-17	1	Plug-Pipe
18	1-643009	2	Clamp-Hose
20	1-643084	1	Hose-Inlet, Air
25	48-7570	1	Screw-HH
30	3256-3	1	Washer-Flat

Ref. No.	Part No.	Qty.	Description
31	32128-20	2	Nut-HF
33	33115-025	4	Screw-HH
37	33115-020	2	Screw-HH
39	322-6	3	Screw-HH
41	1-633630	2	Grommet-Brake
42	3296-29	2	Nut-Lock, NI
44	322-19	1	Screw-HH
46	103-3068	1	Valve-Drain, Oil
47	103-0114	1	Spacer-Clutch
48	103-1511	1	Arrestor-Spark
49	103-1512	1	Clamp-Muffler

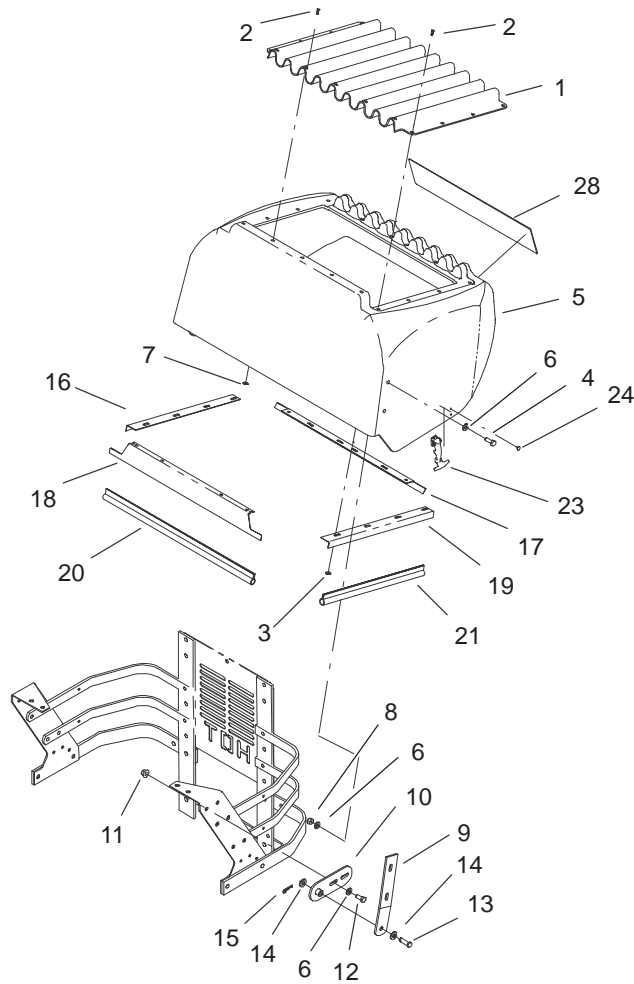
☆ Not serviced separately



Sheet No.:15

Cooling System Assembly

Ref. No.	Part No.	Qty.	Description	Ref. No.	Part No.	Qty.	Description
1	104-7843	1	Radiator Trim Plate ASM	20	321-2	2	Screw-HH
1:2	65-2690	2	Decal-Surface, Hot	21	1-303287	3	Tie-Plastic
1:3	104-2449	1	Decal-Coolant, Havoline	22	1-643129	1	Hose
2	1-643161	1	Cap-Radiator	23	1-633851	1	Extension-Crankshaft
3	103-1046	1	Radiator-Mount, Horiz.	24	1-805005	3	Washer-Lock
4	322-1	12	Screw-HH	25	33014-00	3	Nut-Hex
5	3256-23	14	Washer-Flat	26	1-633869	1	Fan-Pump, Cooling
6	100-4301	1	Fan Mounting Plate ASM	27	3256-22	3	Washer-Flat
6:2	1-643253	2	Decal-Fan, Radiator	28	1-809095	3	Screw-HSH
7	1-803067	4	Screw	29	103-0098	1	Shroud-Fan, HYD
8	3256-16	8	Washer-Flat	30	3296-2	6	Nut-Lock
9	1-804254	4	Nut	31	3256-14	12	Washer-Flat
10	1-633831	1	Fan	32	3290-500	6	Screw-PPH
11	1-633989	4	Clamp-Hose	33	103-0895-03	1	Shield-LH
12	103-0074	1	Hose-Inlet, Radiator	34	1-633794-03	1	Baffle-Engine Shield, RH
13	103-0075	1	Hose-Outlet, Radiator	35	321-4	6	Screw-HH
14	1-643164	1	Cap-Tank, Overflow	36	32128-33	6	Nut-HF
15	1-643163	1	Tank-Overflow				
16	1-643131	1	Hose				
17	1-643259	1	Fitting-Elbow				
18	1-513645	1	Bushing-Valve, Fuel				
19	103-2603-03	1	Bracket-Bottle				

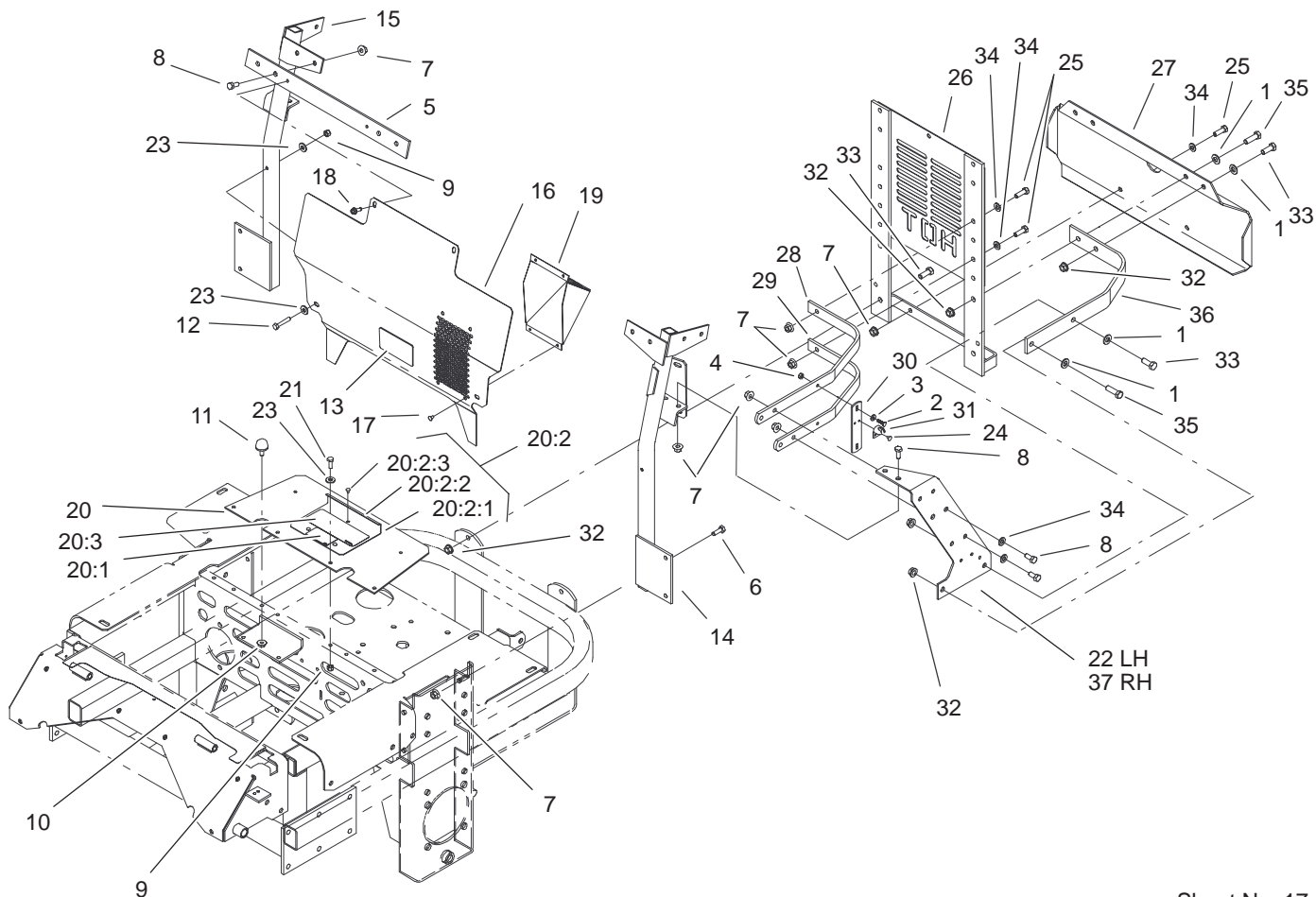


Sheet No.:16

Hood Assembly

Ref. No.	Part No.	Qty.	Description
1	1-633864-03	1	Screen-Radiator
2	1-803072	17	Rivet-Bulbex
3	3256-14	12	Washer-Flat
4	322-4	4	Screw-HH
5	104-5136	1	Hood
6	3256-23	10	Washer-Flat
7	1-303435	5	Washer-Spring
8	3296-29	4	Nut-Lock, NI
9	1-633885-03	2	Plate-Hinge, Hood
10	1-632986-03	2	Shackle-Hinge
11	32128-20	25	Nut-HF
12	322-3	16	Screw-HH
13	1-808285	2	Pin-Clevis
14	3256-24	6	Washer-Flat
15	1-806003	2	Pin-Hair
16	1-643106-03	1	Angle-Radiator, RH
17	1-643108-03	1	Angle-Radiator, Bottom
18	1-643107-03	1	Angle-Radiator, Top
19	1-643105-03	1	Angle-Radiator, LH
20	1-643187	2	Seal-Trim
21	1-643186	2	Seal-Trim
23	1-643188	2	Latch-Rubber
24	923786	4	Rivet-Pop
28	99-4621	1	Decal-Liquid Cooled, Z-Master

Ref. No.	Part No.	Qty.	Description



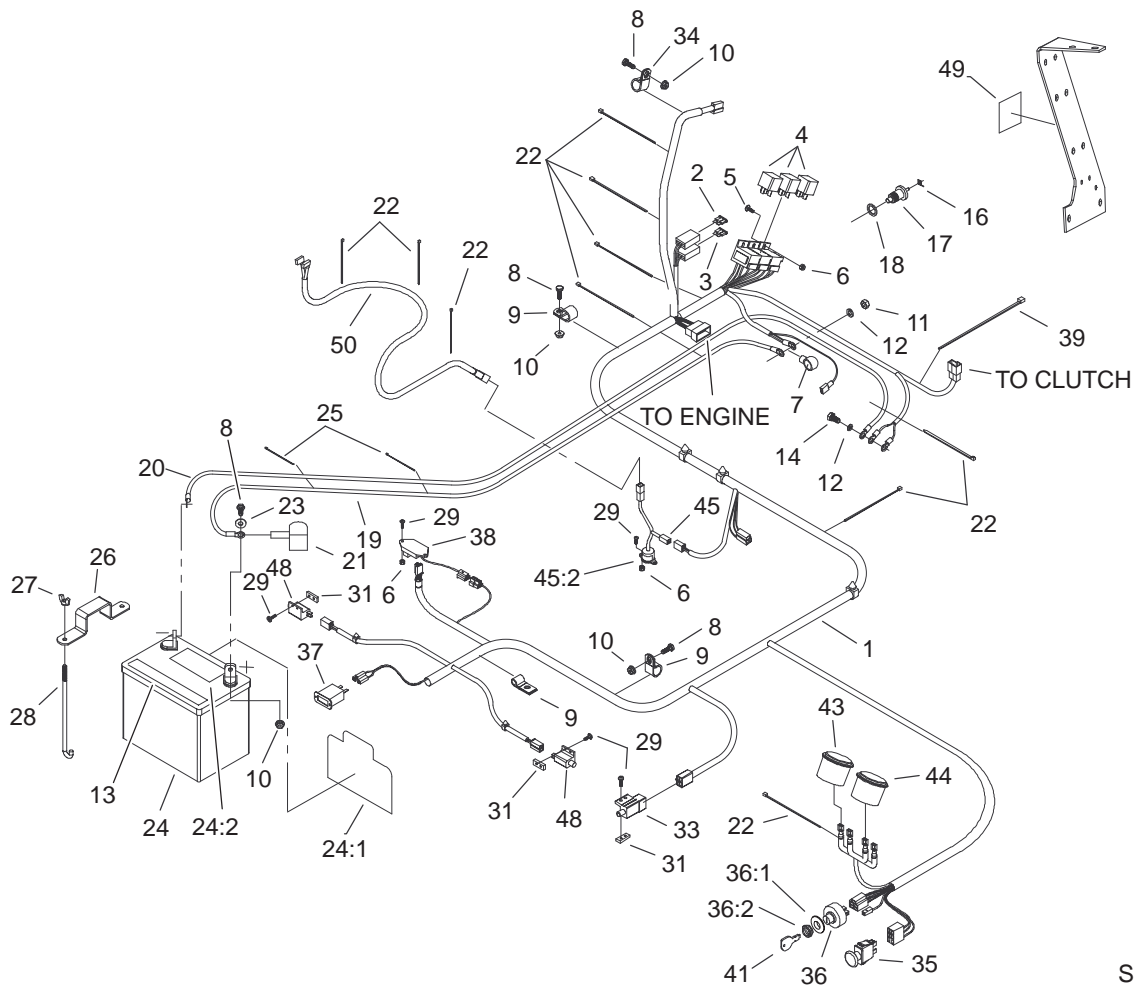
Sheet No.:17

Cooling Mounting Frame Assembly

Ref. No.	Part No.	Qty.	Description
1	3256-24	6	Washer-Flat
2	1-803069	4	Screw
3	3256-14	4	Washer-Flat
4	3296-2	4	Nut-Lock
5	1-633878-03	1	Crossbar
6	322-4	4	Screw-HH
7	32128-20	12	Nut-HF
8	322-3	8	Screw-HH
9	3296-42	6	Nut-Lock, NI
10	32128-33	2	Nut-HF
11	1-523420	2	Bumper
12	321-9	2	Screw-HH
13	1-643339	1	Decal-Routing, Belt
14	103-0107-03	1	Brace-Radiator, LH
15	1-632985-03	1	Brace-Radiator, RH
16	103-2870-03	1	Deflector-Air
17	3269-3	4	Rivet-Pop
18	49-2040	2	Screw-Tapping
19	103-0110-03	1	Plenum-Intake, Air Shield ASM
20	1-644276	1	Decal-Important Shield/Lift ASM
20:1	1-633462	1	Shield-Engine
20:2	1-634308	1	Lift-Shield
20:2:1	103-1308	1	Shield-Engine
20:2:2	1-633300-03	1	Lift-Shield
20:2:3	1-803035	3	Rivet-Pop
20:3	103-0368	1	Decal-Devices,

Ref. No.	Part No.	Qty.	Description
21	321-4	4	Rotating Screw-HH
22	103-0896-03	1	Plate-Side, LH
23	3256-2	6	Washer-Flat
24	923786	4	Rivet-Pop
25	322-5	9	Screw-HH
26	1-632873-03	1	Mount-Radiator, Rear
27	1-633886-03	1	Guard-Bumper
28	1-633897-03	2	Rib-Top
29	1-633898-03	2	Rib-Bottom
30	1-633877-03	2	Bar-Hook, Latch
31	1-643189	2	Keeper-Latch, Rubber
32	3290-357	10	Nut-HHF
33	323-6	6	Screw-HH
34	3256-23	11	Washer-Flat
35	323-7	4	Screw-HH
36	1-633896-03	2	Bar-Mount Frame, Radiator
37	103-0897-03	1	Plate-Side, RH

☆ Not serviced separately

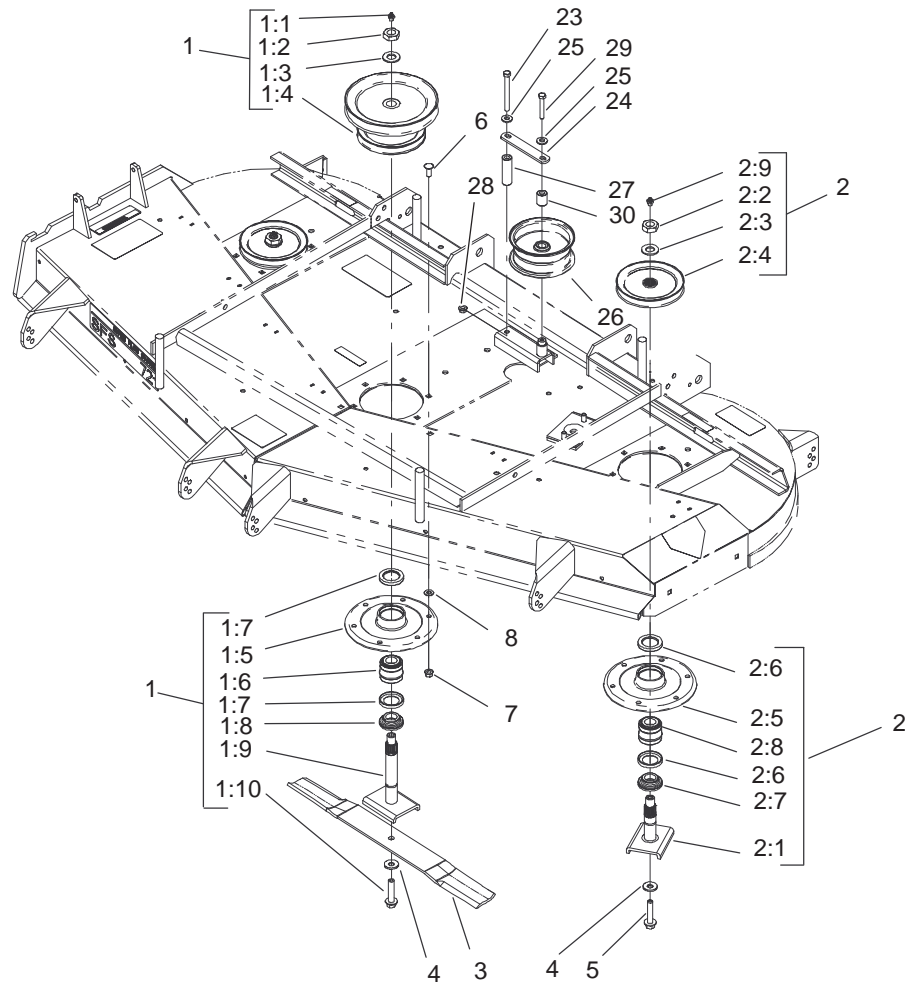


Sheet No.:29

Electrical System Assembly

Ref. No.	Part No.	Qty.	Description
1	104-7757	1	Harness-Wire
2	1-816001	1	Fuse-Type, Blade
3	1-816003	1	Fuse-Blade Type, 30 Amp
4	1-643275	3	Relay
5	1-803071	2	Screw
6	3296-2	2	Nut-Lock
7	1-543393	1	Insulator-Solenoid
8	321-4	5	Screw-HH
9	1-633396	3	Clip-Loom
10	32128-33	5	Nut-HF
11	33014-00	1	Nut-Hex
12	3256-23	2	Washer-Flat
13	105-3646	1	Decal-Warning, Battery
14	33114-016	1	Screw-HH
16	1-643145	1	Tab
17	103-0283	1	Sender-Temperature
18	1-643153	1	Washer-Aluminum
19	1-523279	1	Wire-Battery, Positive
20	1-633307	1	Wire-Ground
21	1-543391	1	Insulator-Battery
22	1-303335	10	Tie-Plastic
23	3256-2	2	Washer-Flat
24	105-1692	1	Battery
24:1	104-4163	1	Decal-Battery

Ref. No.	Part No.	Qty.	Description
24:2	104-4164	1	Decal-Battery
25	1-303287	2	Tie-Plastic
26	1-633652-03	1	Strap-Holddown
27	1-543792	2	Wingnut
28	1-633651	2	Bolt-Holddown
29	3290-500	10	Screw-PPH
31	1-633181	3	Plate-Tapped
33	1-633111	1	Switch
34	1-513762	1	Clip-Loom
35	1-633673	1	Switch-Delta
36	88-9830	1	Key Switch ASM
36:1	3254-5	1	Washer-Lock, Internal
36:2	218-461	1	Nut-HH
37	1-513374	1	Meter-Hour
38	100-6186	1	Module-Delay, Seat
39	1-643115	1	Tie-Plastic
41	63-8360	2	Key-Ignition
43	1-643037	1	Gauge-Voltmeter
44	1-643021	1	Gauge-Temperature
45	1-644427	1	Tilt Switch ASM
45:2	1-643401	1	Decal-Switch, Mercury
48	1-513051	2	Switch-Open, Normally
49	103-1027	1	Decal-Relay
50	103-1227	1	Harness-Wiring, Seat



Sheet No.:72

Deck, Pulley and Deflector Assembly

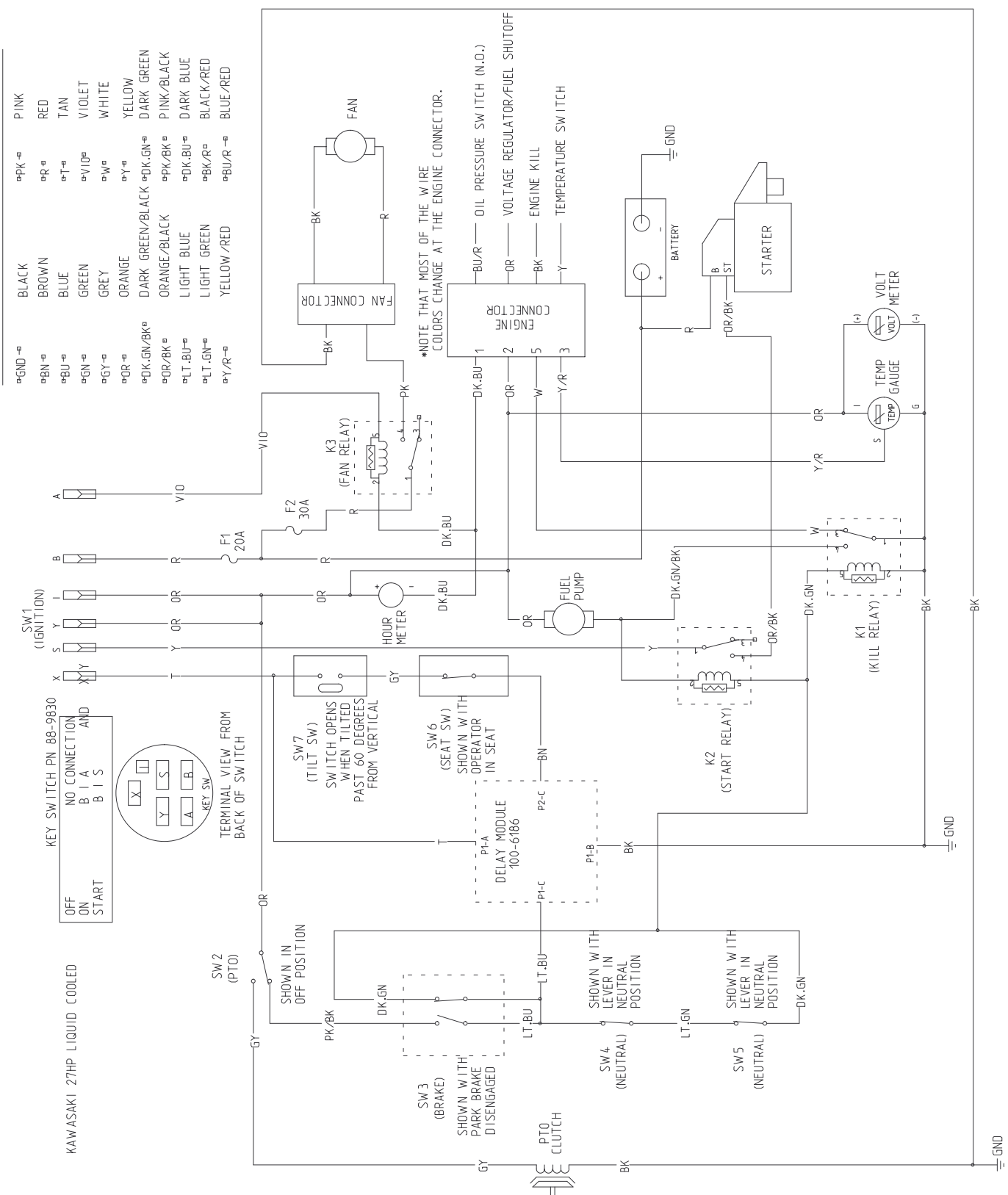
Ref. No.	Part No.	Qty.	Description
1	105-1691	1	Spindle Housing ASM
1:1	302-2	1	Fitting-Grease
1:2	32146-20	1	Nut-Jam
1:3	92-5836	1	Washer
1:4	100-4309	1	Pulley ASM
1:5	61-4160	1	Housing
1:6	46-8530	1	Bearing ASM
1:7	253-139	2	Seal-Oil
1:8	27-0950	1	Spacer
1:9	105-1686	1	Spindle Shaft ASM
1:10	92-5816	1	Bolt-Blade
2	99-4642	2	Outer Spindle ASM
2:1	27-0920	1	Shaft
2:2	32146-20	1	Nut-Jam
2:3	7-4150	1	Washer
2:4	99-4615	1	Pulley And Hub ASM
2:5	61-4160	1	Housing
2:6	253-139	2	Seal-Oil
2:7	27-0950	1	Spacer
2:8	46-8530	1	Bearing ASM
2:9	302-2	1	Fitting-Grease
3	94-1861	3	Blade
4	1-513435	3	Washer-Spring
5	92-5816	2	Bolt-Blade
6	3231-22	18	Screw-CARR
7	32128-21	18	Nut-HF

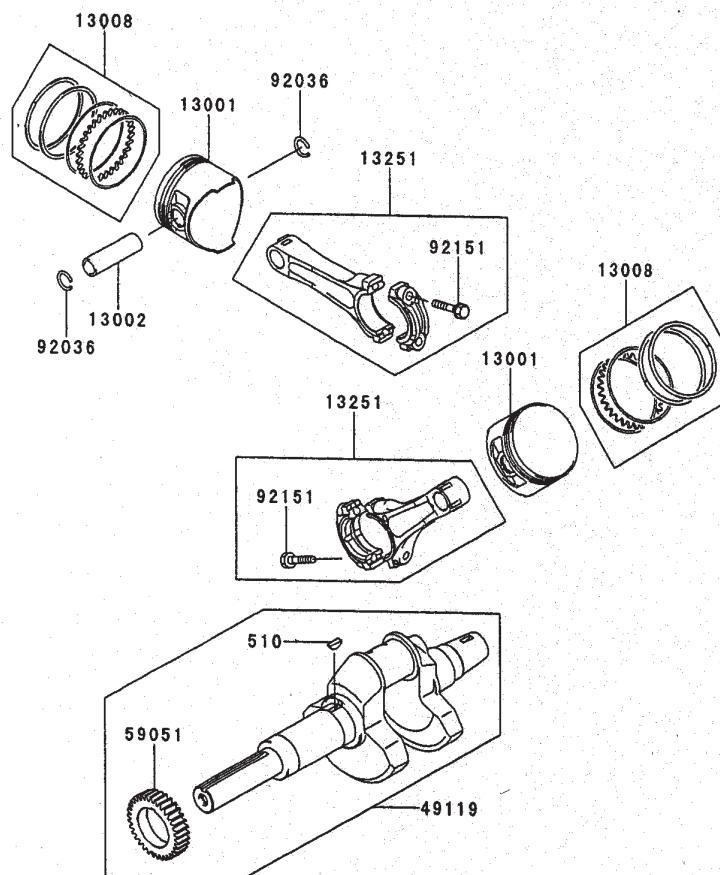
Ref. No.	Part No.	Qty.	Description
8	3256-24	4	Washer-Flat
23	323-42	1	Screw-HH
24	1-653189	1	Plate
25	98-5975	2	Washer-Belleville
26	1-413099	1	Pulley-Idler
27	99-4659	1	Spacer-Bracket
28	3290-357	1	Nut-HHF
29	323-11	1	Screw-HH
30	1-653190	1	Spacer

Electrical Schematic

WIRE COLOR CODES

ⓂGND Ⓜ	BLACK	ⓂPK Ⓜ	PINK
ⓂBN Ⓜ	BROWN	ⓂR Ⓜ	RED
ⓂBU Ⓜ	BLUE	ⓂT Ⓜ	TAN
ⓂGN Ⓜ	GREEN	ⓂVIO Ⓜ	VIOLET
ⓂGY Ⓜ	GREY	ⓂW Ⓜ	WHITE
ⓂOR Ⓜ	ORANGE	ⓂY Ⓜ	YELLOW
ⓂDK.GN/BK Ⓜ	DARK GREEN/BLACK	ⓂDK.GN Ⓜ	DARK GREEN
ⓂOR/BK Ⓜ	ORANGE/BLACK	ⓂPK/BK Ⓜ	PINK/BLACK
ⓂLT.BU Ⓜ	LIGHT BLUE	ⓂDK.BU Ⓜ	DARK BLUE
ⓂLT.GN Ⓜ	LIGHT GREEN	ⓂBK/R Ⓜ	BLACK/RED
ⓂY/R Ⓜ	YELLOW/RED	ⓂBU/R Ⓜ	BLUE/RED

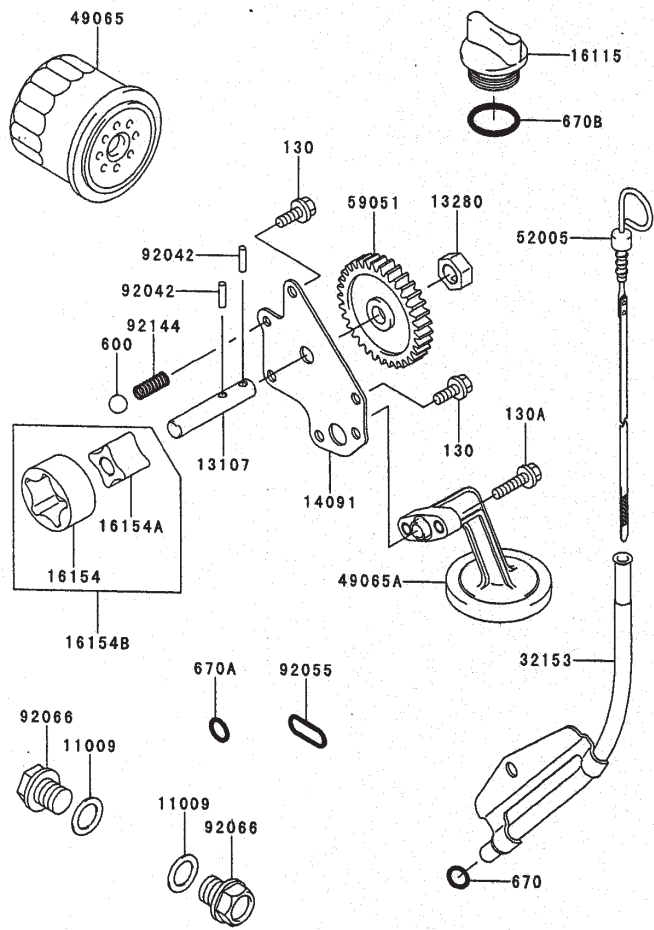




Piston/Crankshaft Assembly Kawasaki FD750D-AS03

Ref. No.	Part No.	Qty.	Description	Ref. No.	Part No.	Qty.	Description
13001	13001-2125	2	Piston-Engine				
13002	13002-2069	2	Pin-Piston				
13008	13008-6007	2	Ring-Set-Piston				
13251	13251-2058	2	Rod ASM-Connecting				
49119	49119-2198	1	Crankshaft ASM				
59051	59051-2358	1	Gear-Spur, 33T				
92036	92036-008	4	Ring-Snap				
92151	92151-2150	4	Bolt				
510	510A5100	1	Key-Woodruff				

Obtain Parts from Kawasaki

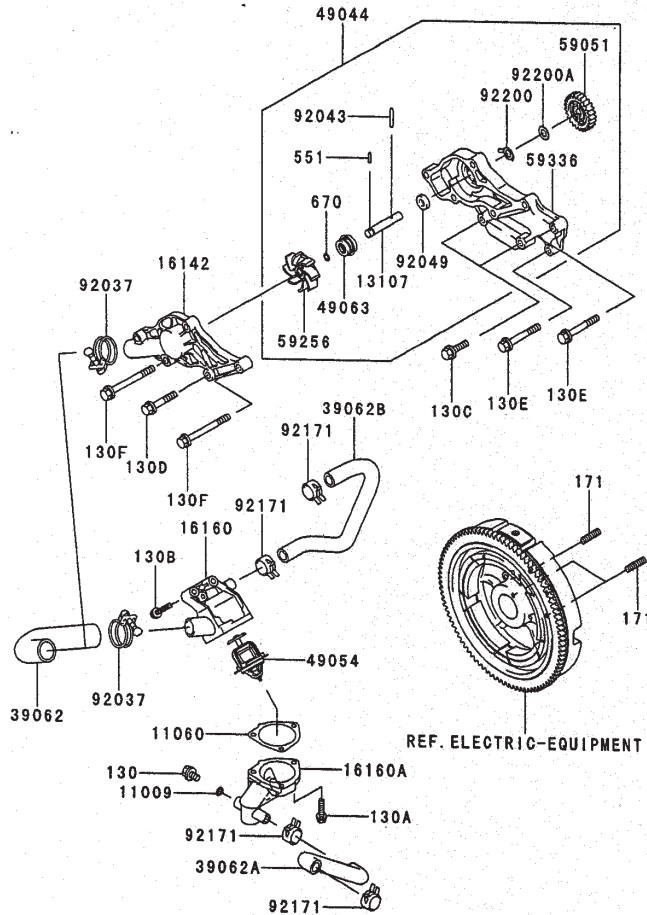


Lubrication Equipment Assembly Kawasaki FD750D-AS03

Ref. No.	Part No.	Qty.	Description
11009	11009-2566	2	Gasket, Drain Plug
13107	13107-2281	1	Shaft, Oil Pump
13280	13280-2061	1	Holder, Oil Pump
14091	14091-2065	1	Cover, Oil Pump
16115	16115-2126	1	Cap-Oil Filler
16154	16154-1075	1	Rotor-Pump, Outer
16154A	16154-1076	1	Rotor-Pump, Inner
16154B	16154-1079	1	Rotor-Pump
32153	32153-2076-9H	1	Pipe, Oil Gauge
49065	49065-2071	1	Filter-Oil
49065A	49065-2082	1	Filter
52005	52005-2132	1	Gauge, Oil
59051	59051-2354	1	Gear-Spur, 33T
92042	92042-014	2	Pin
92055	92055-2086	1	O-Ring
92066	92066-2099	2	Plug, Drain
92144	92144-2053	1	Spring
130	130G0616	3	Bolt-Flanged
130A	130G0625	2	Bolt-Flanged
600	600A1300	1	Ball-Steel
670	670B2010	1	O-Ring
670A	670B2011	1	O-Ring
670B	670B3025	1	O-Ring

Ref. No.	Part No.	Qty.	Description

Obtain Parts from Kawasaki

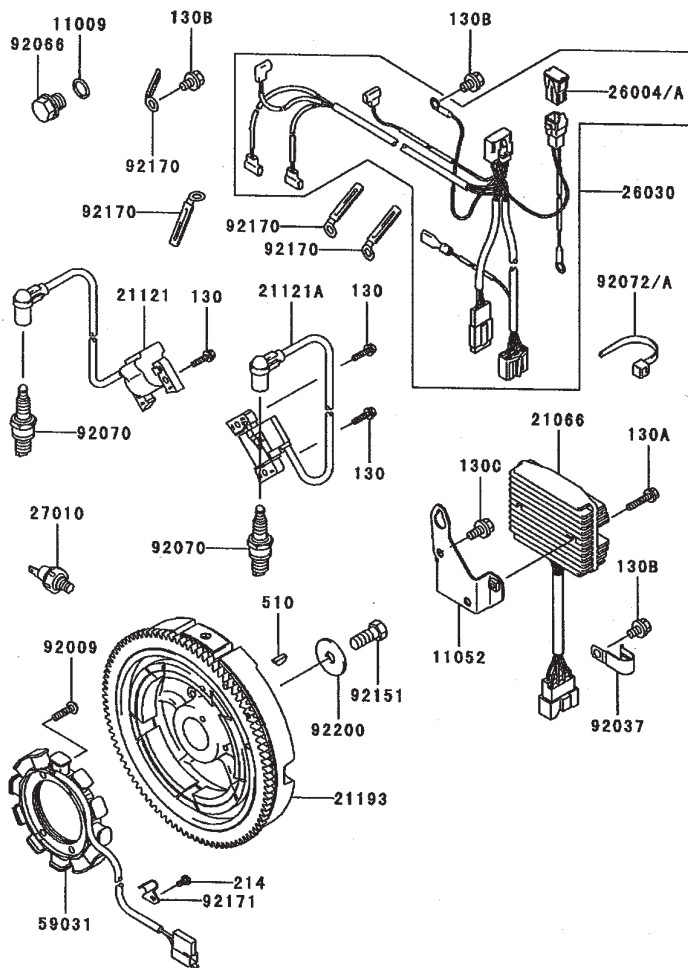


Cooling Equipment Assembly Kawasaki FD750D-AS03

Ref. No.	Part No.	Qty.	Description
11009	11009-3028	1	Gasket
11060	11060-2475	1	Gasket-Thermostat
13107	13107-2097	1	Shaft-Impeller
16142	16142-2077	1	Cover-Pump
16160	16160-2127	1	Body-Upper
16160A	16160-6002	1	Body-Valve
39062	39062-2080	1	Hose-Cooling
39062A	39062-2083	1	Hose-Cooling
39062B	39062-2084	1	Hose-Cooling
49044	49044-2063	1	Pump-Water
49054	49054-2058	1	Thermostat
49063	49063-1054	1	Seal-Mechanical
59051	59051-2355	1	Gear-Spur, 25T
59256	59256-2069	1	Impeller
59336	59336-2078	1	Case-Pump
92037	92170-1284	2	Clamp
92043	92043-2237	1	Pin
92049	92049-2111	1	Seal-Oil
92171	92171-2056	4	Clamp
92200	92200-2134	1	Washer
92200A	92200-2135	1	Washer
130	130C0812	1	Bolt-Flanged
130A	130G0625	3	Bolt-Flanged
130B	130G0635	2	Bolt-Flanged

Ref. No.	Part No.	Qty.	Description
130C	130G0830	2	Bolt-Flanged
130D	130G0845	1	Bolt-Flanged
130E	130G0860	2	Bolt-Flanged
130F	130G0880	4	Bolt-Flanged
171	171G0818	3	Bolt-Stud
551	551A0314	1	Pin-Dowel
670	670B1507	1	O-Ring

Obtain Parts from Kawasaki

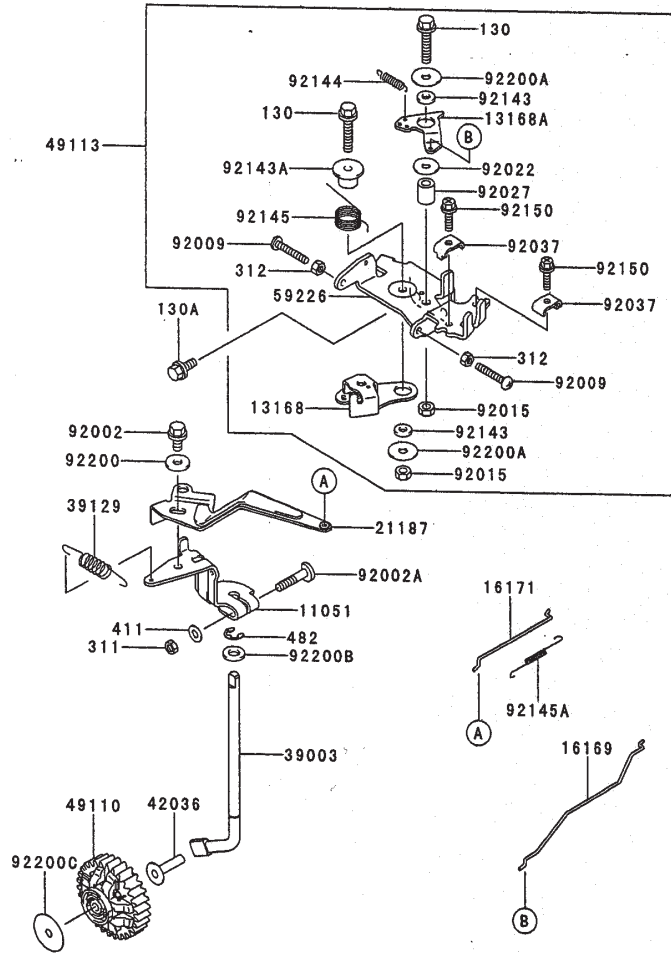


Electric Equipment Assembly Kawasaki FD750D-AS03

Ref. No.	Part No.	Qty.	Description
11009	11009-2766	1	Gasket
11052	11052-2058	1	Bracket
21066	21066-2079	1	Regulator-Voltage
21121	21121-2090	1	Coil-Ignition, No. 1
21121A	21121-2091	1	Coil-Ignition, No. 2
21193	21193-2177	1	Flywheel ASM
26004	26004-1093	1	Fuse ASM
26030	26030-2320	1	Harness
27010	27010-7001	1	Switch
59031	59031-2127	1	Coil-Charging
92009	92009-2273	4	Scerw
92037A	92037-2101	1	Clamp
92066	92066-2099	1	Plug-Drain
92070	92070-2110	2	Plug-Spark, BPR2ES
92072	92072-1195	1	Band
92151	92151-2097	1	Bolt
92170	92170-2060	4	Clamp
92171	92171-2060	1	Clamp
92200	92200-2119	1	Washer
130	130G0520	1	Bolt-Flanged
130A	130G0630	2	Bolt-Flanged
130B	130G0812	3	Bolt-Flanged
130C	130G0816	2	Bolt-Flanged
214	214B0510	1	Screw-Pan+

Ref. No.	Part No.	Qty.	Description
510	510A5100	1	Key-Woodruff

Obtain Parts from Kawasaki

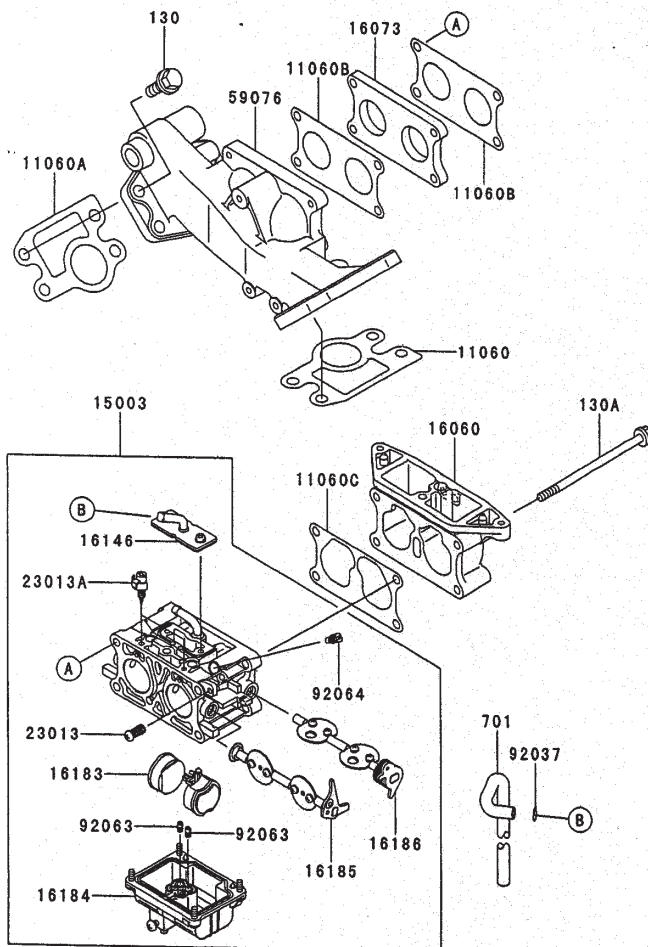


Control Equipment Assembly Kawasaki FD750D-AS03

Ref. No.	Part No.	Qty.	Description
	11051	1	Bracket
	13168	1	Lever-Throttle
13168A	13168-2467	1	Lever-Choke
	16169	1	Link-Choke
	16171	1	Link
	21187	1	Arm ASM
	39003	1	Arm-Pivot
	39129	1	Spring-Governor
	42036	1	Sleeve
	49110	1	Governor ASM
	49113	1	Panel-Comp-Control
	59226	1	Panel-Control
	92002	1	Bolt
92002A	92002-2269	1	Bolt
	92009	2	Screw
	92015	2	Nut
	92022	1	Washer
	92027	1	Collar
	92037	2	Clamp
	92143	2	Collar
92143A	92143-2148	1	Collar
	92144	1	Spring
	92145	1	Spring
92145A	92145-2095	1	Spring

Ref. No.	Part No.	Qty.	Description
	92150	2	Bolt
	92200	1	Washer
92200A	92200-2108	2	Washer
92200B	92200-2120	1	Washer
92200C	92200-2122	1	Washer
	130	2	Bolt-Flanged
	130A	2	Bolt-Flanged
	311	2	Nut-Hex
	312	2	Nut-Hex
	411	1	Washer
	482	1	Circlip-Type E

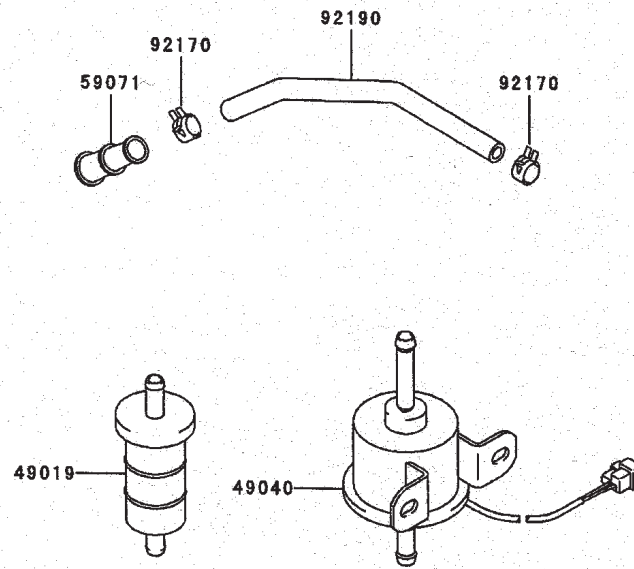
Obtain Parts from Kawasaki



Carburetor Assembly Kawasaki FD750D-AS03

Ref. No.	Part No.	Qty.	Description	Ref. No.	Part No.	Qty.	Description
11060	11060-2468	1	Gasket-Intake				
11060A	11060-2469	1	Gasket-Intake				
11060B	11060-2471	2	Gasket-Intake Pipe				
11060C	11060-2473	1	Gasket-Carburetor				
15003	15003-2776	1	Carburetor ASM				
16060	16060-2194	1	Pipe-Intake				
16073	16073-2206	1	Insulator				
16146	16146-2227	1	Cover ASM				
16183	16183-2006	1	Float ASM				
16184	16184-2004	1	Float Chamber ASM				
16185	16185-2036	1	Throttle Valve ASM				
16186	16186-2036	1	Choke Valve ASM				
23013	23013-2059	1	Screw ASM				
23013A	23013-2060	1	Screw ASM				
59076	59076-2065	1	Manifold-Intake				
92037	92037-1610	1	Clamp				
92063	92063-2400	2	Jet-Main				
92064	92064-2113	2	Jet-Pilot				
130	130G0825	8	Bolt-Flanged				
130A	130T06110	4	Bolt-Flanged				
701	701Q061000	1	Tube-PVC				

Obtain Parts from Kawasaki



Fuel Tank/Fuel Valve Assembly Kawasaki FD750D-AS03

Ref. No.	Part No.	Qty.	Description
49019	49019-1055	1	Filter-Fuel
49040	49040-2065	1	Pump-Fuel
59071	59071-2119	1	Joint
92170	92170-2042	2	Clamp
92190	92190-2095	1	Tube

Ref. No.	Part No.	Qty.	Description

Obtain Parts from Kawasaki

