



Count on it.

Parts Catalog

**Greensmaster® 3250-D 2-Wheel
Drive Traction Unit**

Model No. 04384—Serial No. 315000501 and Up



Ordering Replacement Parts

To order replacement parts, please supply the part number, the quantity, and the description of each part desired.

Understanding Reference Numbers

Each identified part in an illustration has a reference number. The reference number for a part also appears in the parts list, along with other information about the part.

This catalog uses two special reference number formats, one to indicate parts in a service assembly and another to indicate the quantity of a given part in an illustration.

Service Assembly Reference Numbers

Parts in service assemblies have reference numbers in the form a:b. The a represents the reference number of the entire service assembly and the b represents a sequential number unique to each part within the service assembly.

For example, a wheel assembly might be identified by reference number 6, the tire by 6:1, the valve by 6:2, and the wheel by 6:3. When you order the assembly identified by reference number 6, you receive all parts identified by reference numbers 6:1, 6:2, and 6:3. However, you may also order any part individually. Reference numbers of this type appear in illustration and in parts lists.

Reference Numbers Indicating Quantity

In an illustration, if a reference number indicates more than one part, the reference number has the form nX y. The n represents the quantity of the part, the X is the multiplication symbol, and the y represents the reference number.

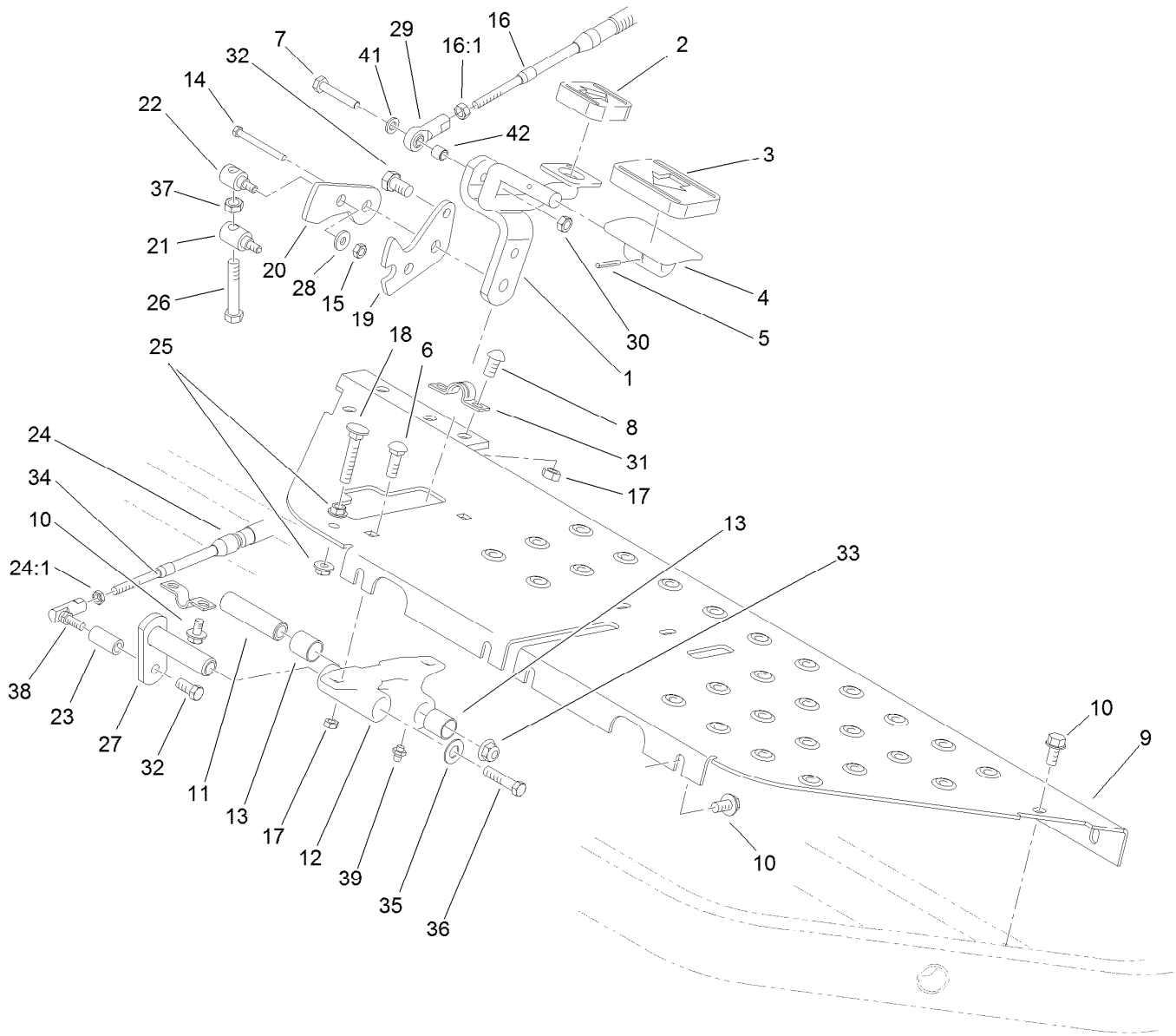
For example, in an illustration, the reference number 2X 37 means that two of the parts identified by reference number 37 are indicated.

Contents

| | |
|--|----|
| Traction Control Assembly | 5 |
| Brake Pedal Assembly | 6 |
| Front Wheel and Brake Assembly | 7 |
| Brake Assembly No. 104-7705 | 8 |
| Hydraulic Motor Assembly (CCW) No. 110-4015 | 9 |
| Hydraulic Motor Assembly (CW) No. 110-4016 | 10 |
| Steering Arm Assembly | 11 |
| Steering Valve Assembly No. 114-4672 | 12 |
| Rear Wheel Assembly | 13 |
| Hydraulic Cylinder Assembly No. 112-0298 | 14 |
| Console Assembly | 15 |
| Functional Control Lever Assembly | 16 |
| Seat Assembly | 17 |
| Battery and Electrical Component Assembly | 19 |
| Hydrostat and Gear Pump Drive Assembly | 20 |
| Hydraulic Pump Assembly No. 121-9557 | 21 |
| Hydraulic Gear Pump Assembly No. 114-9956 | 23 |
| Neutral System Assembly | 24 |
| Engine Installation Assembly | 25 |
| Air Cleaner, Fuel Filter and Exhaust Assembly | 26 |
| Air Cleaner Assembly No. 95-5805 | 27 |
| Radiator Assembly | 28 |
| Manifold Block Installation Assembly | 29 |
| Hydraulic Manifold Assembly No. 112-9197 | 30 |
| Front Bulkhead and Reel Motor Assembly | 32 |
| Hydraulic Reel Motor Assembly No. 120-2072 | 33 |
| Rear Bulkhead and Reel Motor Assembly | 34 |
| Left Hand and Right Hand Lift Arm Assembly | 35 |
| Hydraulic Cylinder Assembly No. 105-3821 | 37 |
| Center Lift Arm Assembly | 38 |
| Hydraulic Cylinder Assembly No. 105-3820 | 39 |
| Fuel System Assembly | 40 |
| Hydraulic Tank and Filter Assembly | 41 |
| Miscellaneous Part Assembly | 42 |
| Pull Frame Assembly | 43 |
| Roll-Over Protection System Assembly | 44 |
| Crankcase Assembly | 45 |
| Oil Pan, Oil Pump and Dipstick Assembly | 46 |
| Cylinder Head Assembly | 47 |
| Gear Case and Oil Filter Cartridge Assembly | 48 |
| Cylinder Head Cover Assembly | 49 |
| Main Bearing Case Assembly | 50 |
| Camshaft and Idle Gear Shaft Assembly | 51 |
| Piston and Crankshaft Assembly | 52 |
| Fuel Camshaft Assembly | 53 |
| Idle Apparatus and Fuel Pump Cover Assembly | 54 |
| Stop Solenoid and Speed Control Plate Assembly | 55 |
| Injection Pump Assembly | 56 |
| Governor Assembly | 57 |
| Nozzle Holder and Glow Plug Assembly | 58 |
| Nozzle Holder Assembly | 60 |
| Alternator and Pulley Assembly | 62 |
| Alternator Components Assembly | 63 |
| Starter and Flywheel Assembly | 64 |

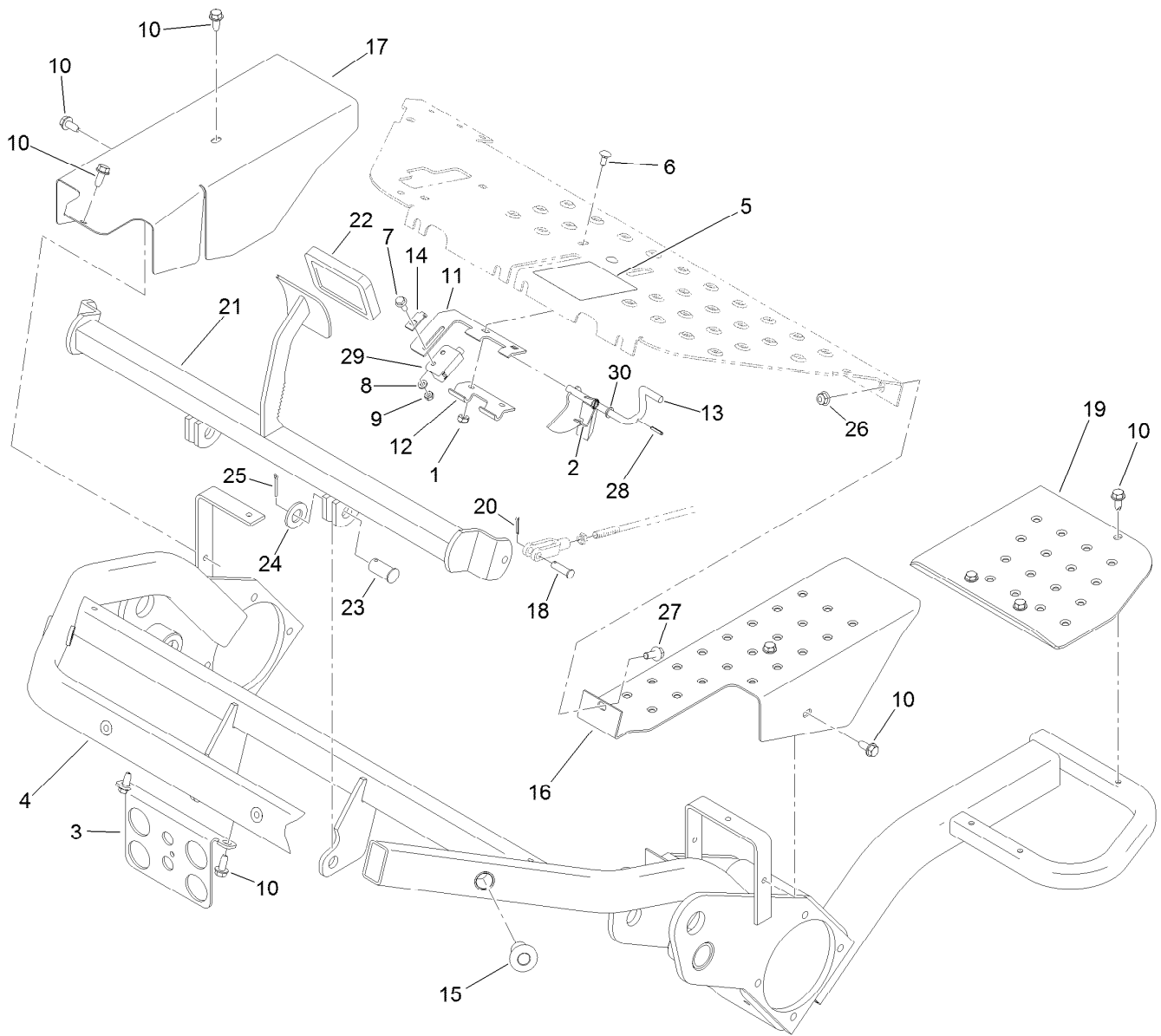
Contents (continued)

| | |
|--|----|
| Starter Component Assembly | 65 |
| Water Flange and Thermostat Assembly | 66 |
| Water Pump and Water Pipe Assembly | 67 |
| Valve and Rocker Arm Assembly..... | 68 |
| Inlet and Exhaust Manifold Assembly | 69 |
| Miscellaneous Engine Parts | 70 |
| Attachments and Accessories | 71 |



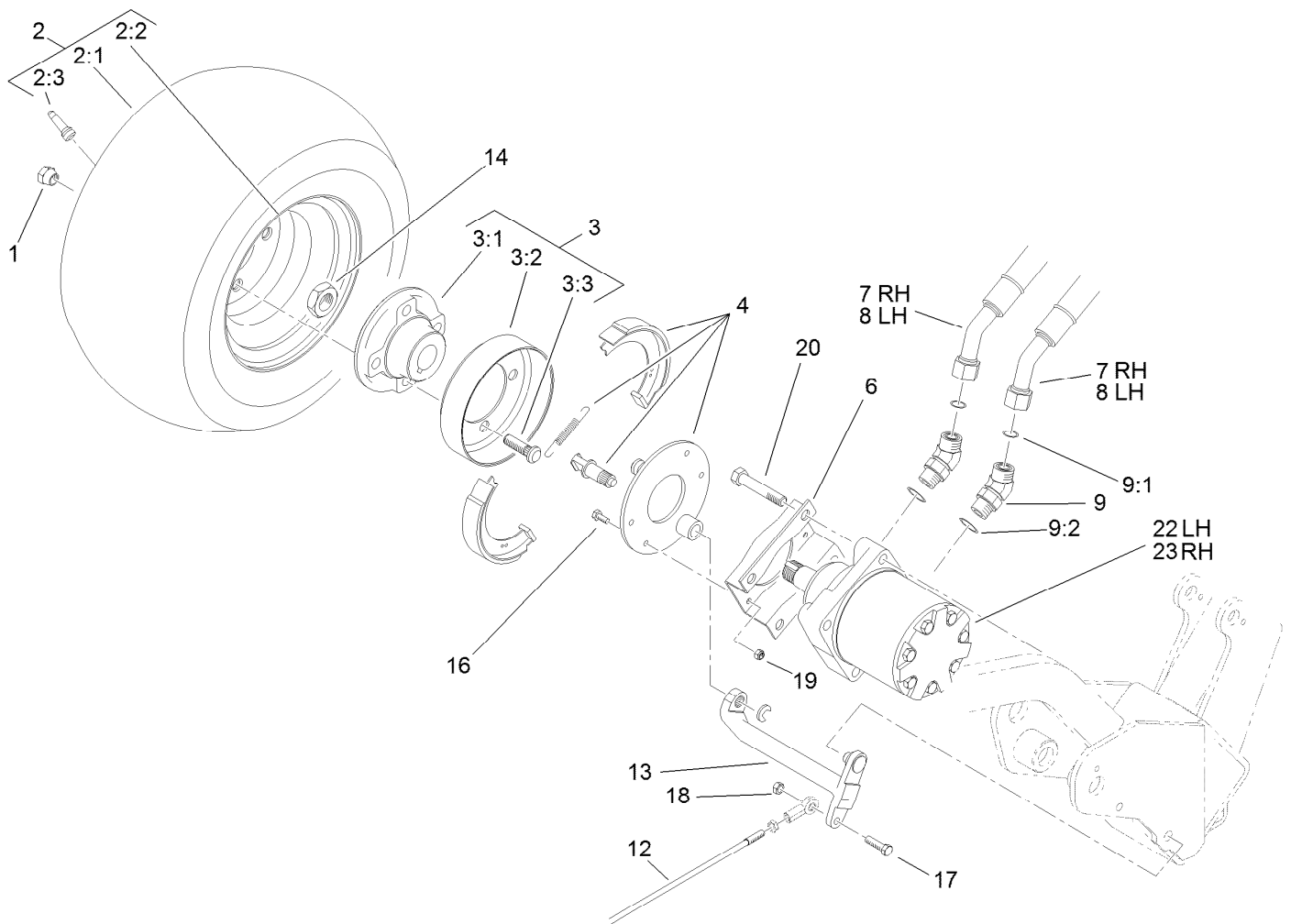
Traction Control Assembly

| Ref. | Part Number | Qty. | Description | Ref. | Part Number | Qty. | Description |
|------|-------------|------|-------------------------|------|-------------|------|-----------------------|
| 1 | 93-2085-01 | 1 | Rod ASM | 22 | 94-1374 | 1 | Trunnion-Bracket, Mow |
| 2 | 74-9110 | 1 | Pad-Pedal, Reverse | 23 | 94-1386 | 1 | Shaft-Pedal |
| 3 | 74-9100 | 1 | Pad-Pedal, Forward | 24 | 94-1304 | 1 | Cable-Lock, Neutral |
| 4 | 117-9507 | 1 | Pedal-Accelerator | 24:1 | 3219-14 | 2 | Nut-Hex |
| 5 | 32121-45 | 1 | Pin-Spring | 25 | 32128-20 | 2 | Nut-HF |
| 6 | 3230-16 | 2 | Screw-CARR | 26 | 94-3489 | 1 | Screw-HH |
| 7 | 94-5781 | 1 | Screw-HHF | 27 | 94-1300 | 1 | Lock-Neutral |
| 8 | 3274-55 | 2 | Screw-HSBH | 28 | 3256-1 | 2 | Washer-Flat |
| 9 | 105-9750-01 | 1 | Plate-Floor | 29 | 2411-41 | 1 | Rod End-Ball Joint |
| 10 | 32104-32 | 8 | Screw-HWH | 30 | 104-7201 | 1 | Nut-HF, NI |
| 11 | 94-1371 | 1 | Spacer | 31 | 93-2092 | 1 | Clamp-Cable |
| 12 | 115-6695 | 1 | Pedal-Pivot | 32 | 33114-016 | 2 | Screw-HH |
| 13 | 256-311 | 4 | Bushing-Split | 33 | 104-8301 | 1 | Nut-HF, NI |
| 14 | 323-42 | 1 | Screw-HH | 34 | 93-2279 | 1 | Clamp-Cable |
| 15 | 33023-00 | 2 | Nut-Lock | 35 | 3256-24 | 1 | Washer-Flat |
| 16 | 107-2550 | 1 | Cable-Control, Traction | 36 | 33115-016 | 1 | Screw-HH |
| 16:1 | 3220-1 | 2 | Nut-Jam | 37 | 33014-00 | 1 | Nut-Hex |
| 17 | 104-8300 | 4 | Nut-HF, NI | 38 | 2411-38 | 1 | Joint-Ball |
| 18 | 17-9420 | 1 | Screw-Handle | 39 | 302-5 | 1 | Fitting-Grease |
| 19 | 94-1373 | 1 | Bracket-Lock | 41 | 33093-00 | 1 | Washer-Flat |
| 20 | 94-1372 | 1 | Bracket-Mow | 42 | 99-3545 | 1 | Spacer |
| 21 | 94-1375 | 1 | Trunnion-Bracket, Lock | | | | |



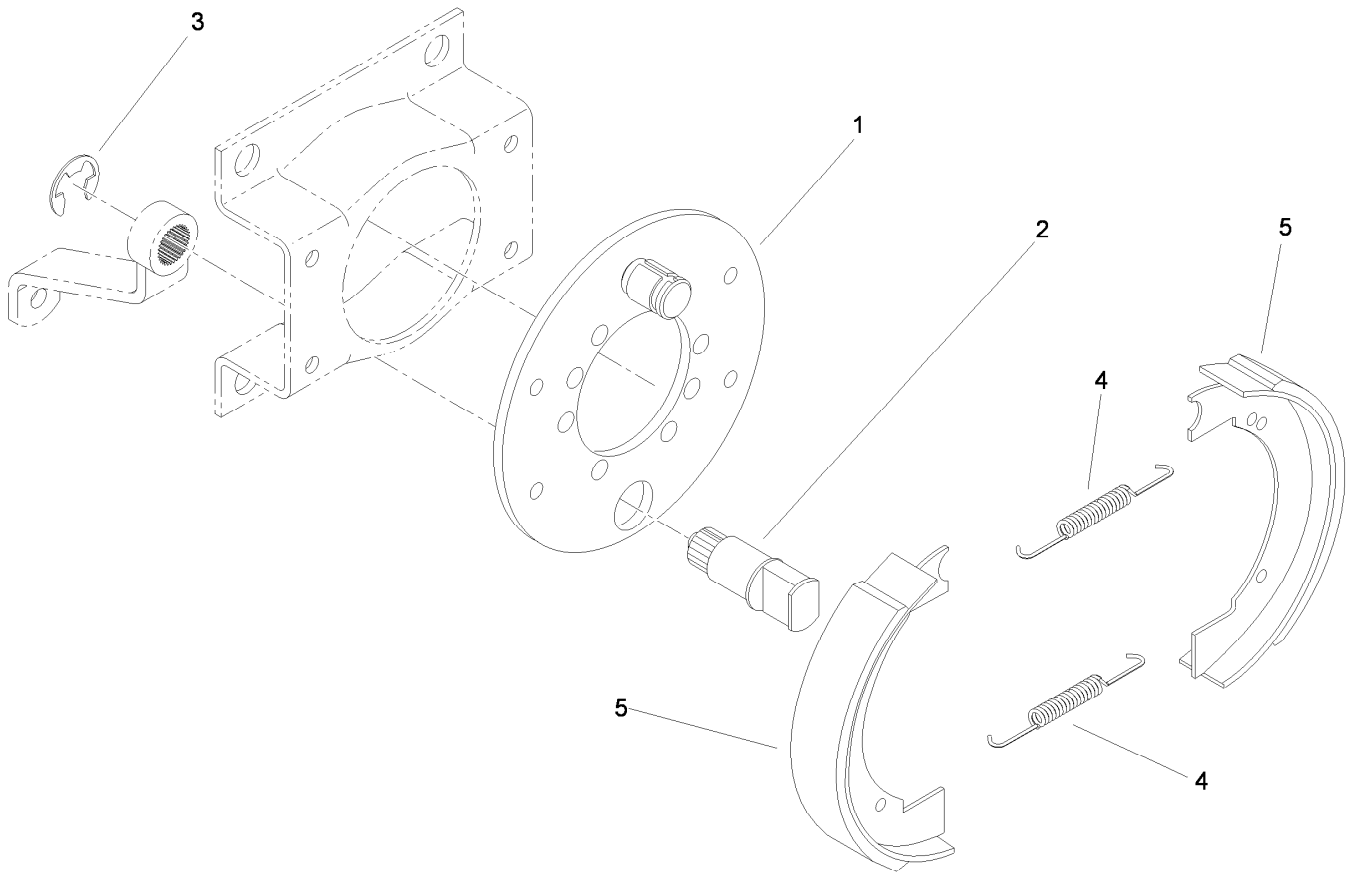
Brake Pedal Assembly

| <i>Ref.</i> | <i>Part Number</i> | <i>Qty.</i> | <i>Description</i> | <i>Ref.</i> | <i>Part Number</i> | <i>Qty.</i> | <i>Description</i> |
|-------------|--------------------|-------------|----------------------|-------------|--------------------|-------------|--------------------|
| 1 | 3296-16 | 2 | Nut-Lock, NI | 16 | 93-2073-01 | 1 | Shield-Wheel, LH |
| 2 | 104-7704 | 1 | Spring-Latch, Brake | 17 | 93-2072-01 | 1 | Shield-Wheel, RH |
| 3 | 121-2636-01 | 1 | Bracket-Bulkhead | 18 | 283-61 | 2 | Pin-Yoke |
| 4 | 127-6145-01 | 1 | Frame | 19 | 130-0104-01 | 1 | Step |
| 5 | 93-8062 | 1 | Decal-Brake, Parking | 20 | 3272-6 | 2 | Pin-Cotter |
| 6 | 3229-11 | 2 | Screw-CARR | 21 | 93-2075-01 | 1 | Brake Pedal ASM |
| 7 | 114-8414 | 1 | Screw-HHF | 22 | 93-7629 | 1 | Pad-Foot, Brake |
| 8 | 33093-00 | 1 | Washer-Flat | 23 | 283-87 | 2 | Pin-Clevis |
| 9 | 33023-00 | 1 | Nut-Lock | 24 | 3256-27 | 2 | Washer-Flat |
| 10 | 32104-32 | 10 | Screw-HWH | 25 | 3272-11 | 2 | Pin-Cotter |
| 11 | 104-2096 | 1 | Bracket-Switch | 26 | 104-8300 | 1 | Nut-HF, NI |
| 12 | 104-7703 | 1 | Hinge-Lower | 27 | 3234-47 | 1 | Screw-HHF |
| 13 | 104-2094 | 1 | Brake-Latch | 28 | 32121-50 | 1 | Pin-Spring |
| 14 | 104-7702 | 1 | Plate-Switch | 29 | 104-2057 | 1 | Sensor |
| 15 | 83-1700 | 3 | Bushing-Flange | 30 | 75-5470 | 1 | Spacer-Bearing |



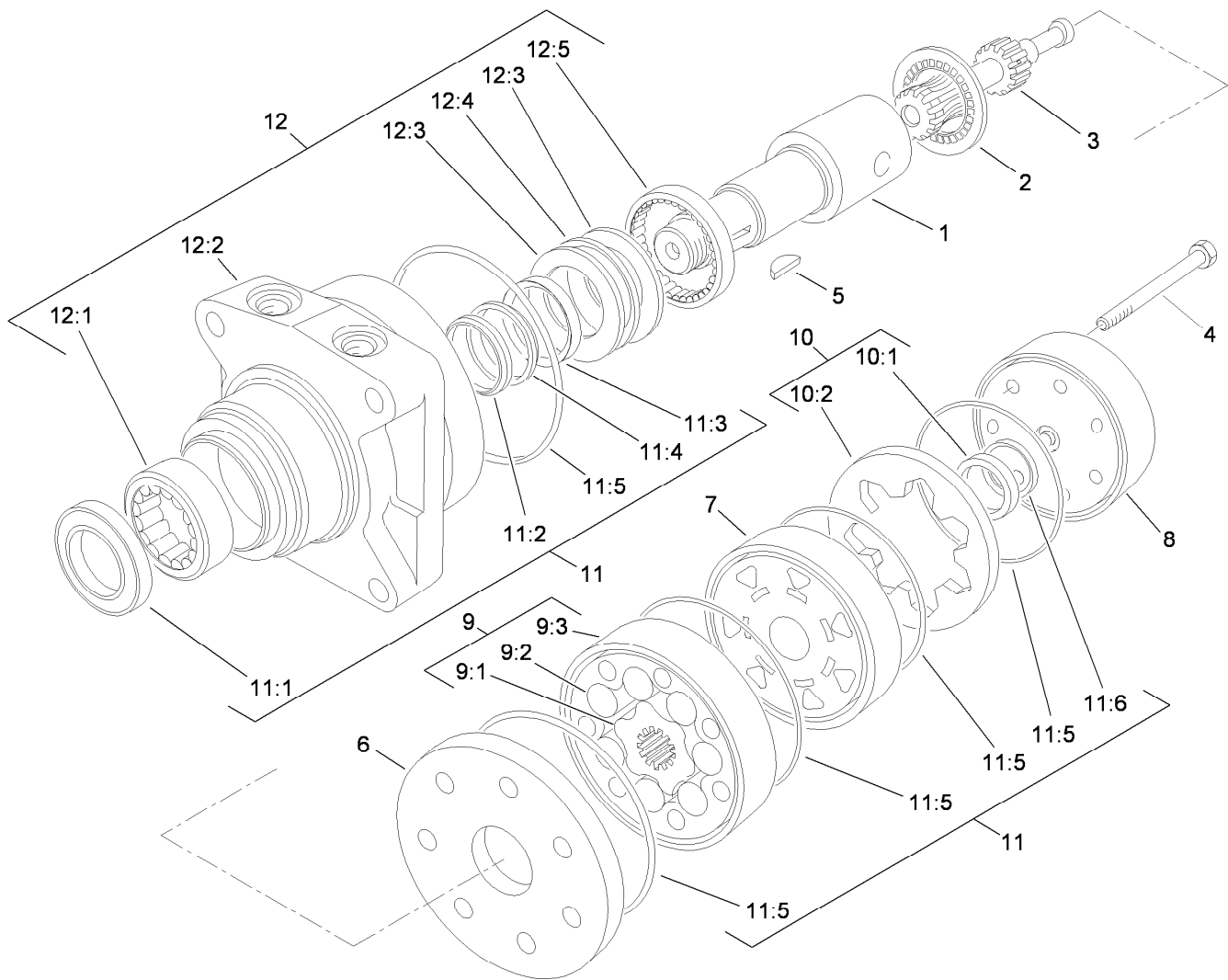
Front Wheel and Brake Assembly

| Ref. | Part Number | Qty. | Description | Ref. | Part Number | Qty. | Description |
|------|-------------|------|--------------------|------|-------------|------|---------------------|
| 1 | 242-50 | 8 | Nut-Lug | 9 | 340-14 | 4 | Fitting-HYD, 45 DEG |
| 2 | 114-4665 | 2 | Tire ASM | 9:1 | 237-65 | 1 | O-Ring |
| 2:1 | 70-8500 | 1 | Tire-Smooth, 4-Ply | 9:2 | 237-80 | 1 | O-Ring |
| 2:2 | 114-4643 | 1 | Wheel | 12 | 115-6675 | 2 | Brake Rod ASM |
| 2:3 | 232-27 | 1 | Stem-Valve | 13 | 93-2096 | 2 | Lever-Brake |
| 3 | 120-5330 | 2 | Brake Drum ASM | 14 | 26-3790 | 2 | Nut-Lock |
| 3:1 | 108-2103-03 | 1 | Hub-Wheel | 16 | 321-5 | 8 | Screw-HH |
| 3:2 | 10-6850 | 1 | Drum-Brake | 17 | 3234-36 | 2 | Screw-HHF |
| 3:3 | 117-3749 | 4 | Stud-Drive | 18 | 104-8300 | 2 | Nut-HF, NI |
| 4 | 104-7705 | 2 | Brake ASM | 19 | 3296-42 | 8 | Nut-Lock, NI |
| 6 | 84-2000-03 | 2 | Bracket-Brake | 20 | 33116-060 | 8 | Screw-HH |
| 7 | 131-2002 | 2 | Hose ASM | 22 | 110-4015 | 1 | HYD Motor ASM (CCW) |
| 8 | 131-2003 | 2 | Hose ASM | 23 | 110-4016 | 1 | HYD Motor ASM (CW) |



Brake Assembly No. 104-7705

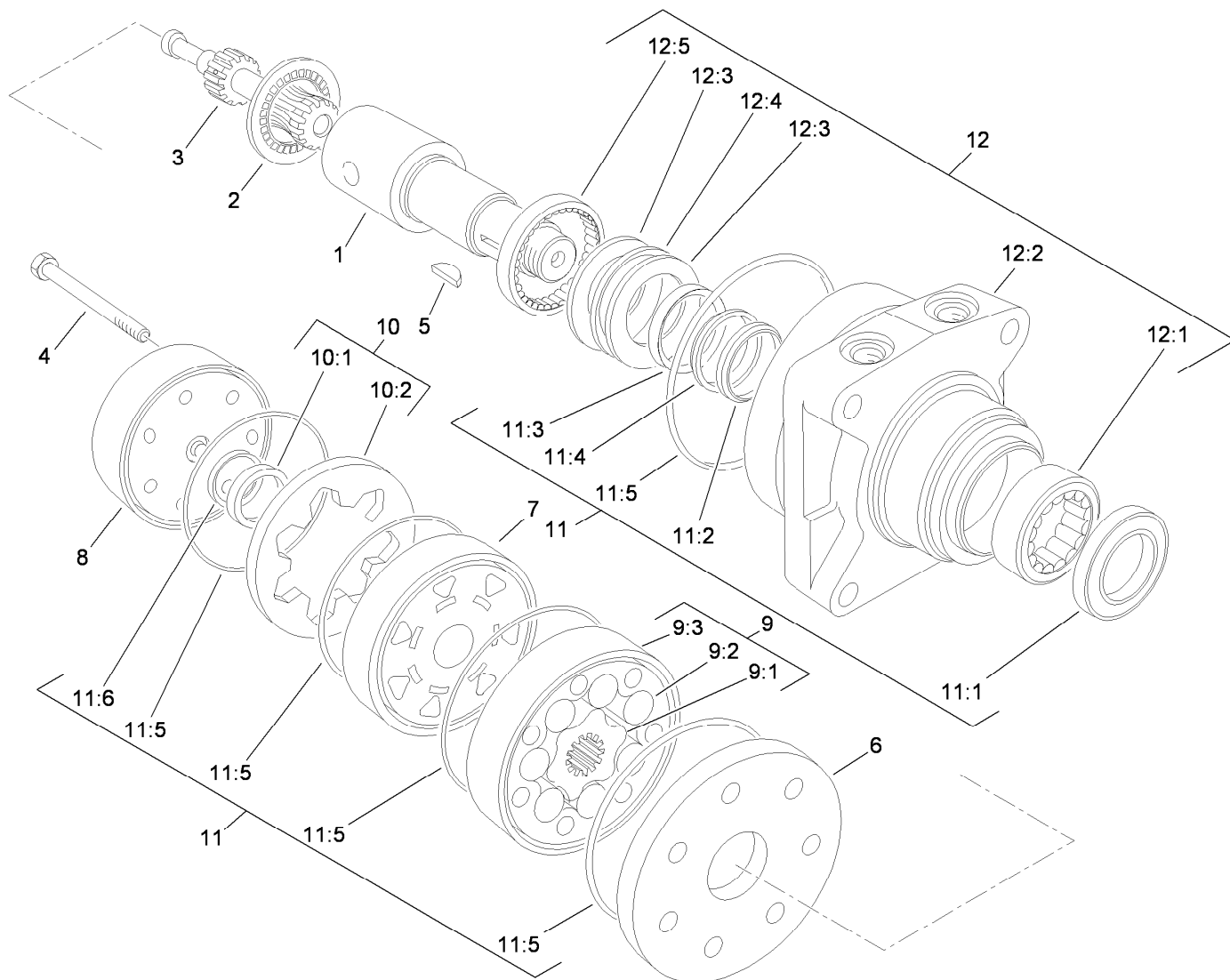
| <i>Ref.</i> | <i>Part Number</i> | <i>Qty.</i> | <i>Description</i> |
|-------------|--------------------|-------------|--------------------|
| 1 | 70-9870 | 1 | Plate-Backing |
| 2 | 104-7707 | 1 | Shaft-Cam, Brake |
| 3 | 104-7706 | 1 | E-Ring, Bowed |
| 4 | 70-9880 | 2 | Spring-Return |
| 5 | 70-9840 | 2 | Shoe-Brake |



Hydraulic Motor Assembly (CCW) No. 110-4015

| Ref. | Part Number | Qty. | Description | Ref. | Part Number | Qty. | Description |
|------|-------------|------|----------------|------|-------------|------|-----------------------------|
| 1 | 76-0860 | 1 | Shaft-Coupling | 10:2 | | 1 | Ring-Commutator ● |
| 2 | 76-0850 | 1 | Bearing-Thrust | 11 | 94-8178 | 1 | Seal Kit |
| 3 | 92-9761 | 1 | Link-Drive | 11:1 | | 1 | Seal-Dirt And Water ● |
| 4 | 92-9762 | 7 | Screw-HH | 11:2 | | 1 | Backup-Ring ● |
| 5 | 3257-42 | 1 | Key-Woodruff | 11:3 | | 1 | Seal-Shaft ● |
| 6 | 92-9754 | 1 | Plate-Wear | 11:4 | | 1 | Washer-Backup ● |
| 7 | 76-0840 | 1 | Manifold | 11:5 | | 5 | Seal-Square, Ring (Inner) ● |
| 8 | 76-0940 | 1 | End Cover ASM | 11:6 | | 1 | Seal-Commutator ● |
| 9 | 92-9763 | 1 | Rotor Set | 12 | 76-0810 | 1 | Housing ASM |
| 9:1 | | 1 | Rotor ● | 12:1 | | 1 | Bearing ● |
| 9:2 | | 1 | Vane ● | 12:2 | | 1 | Housing ● |
| 9:3 | | 1 | Stator ● | 12:3 | | 2 | Washer-Thrust ● |
| 10 | 76-0880 | 1 | Commutator ASM | 12:4 | | 1 | Bearing-Thrust ● |
| 10:1 | | 1 | Commutator ● | 12:5 | | 1 | Bearing ● |

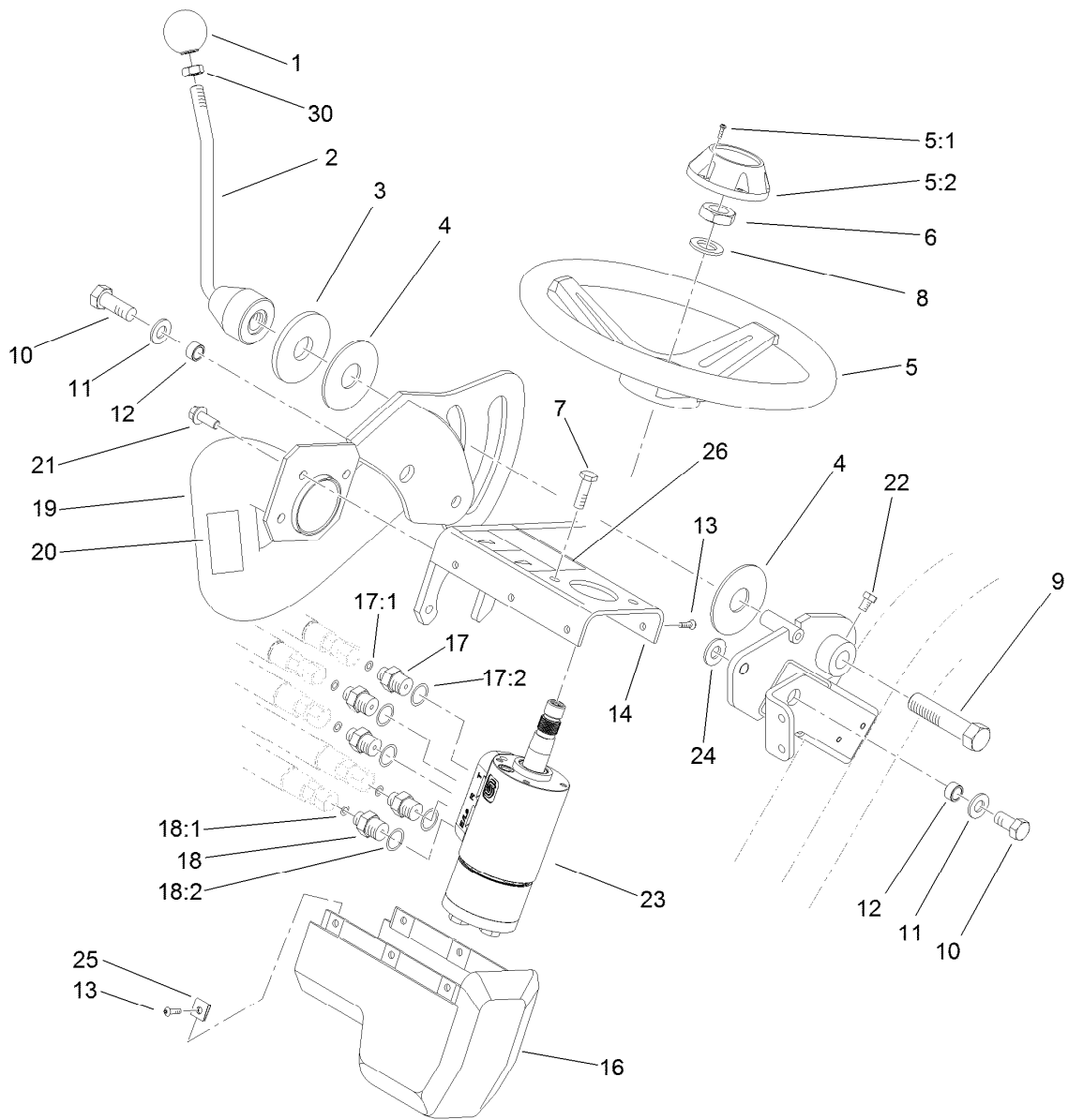
● Not serviced separately



Hydraulic Motor Assembly (CW) No. 110-4016

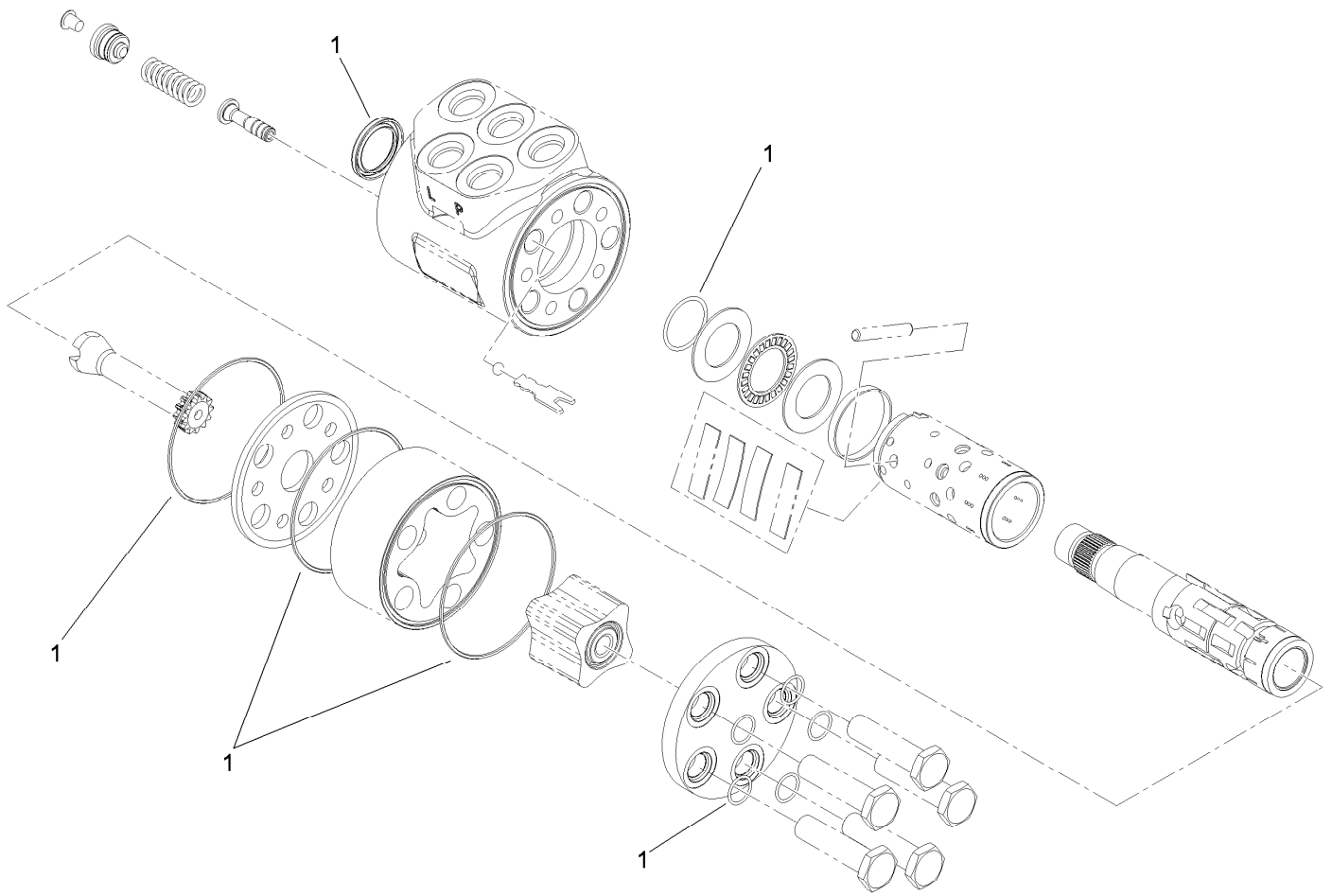
| Ref. | Part Number | Qty. | Description | Ref. | Part Number | Qty. | Description |
|------|-------------|------|----------------|------|-------------|------|-----------------------------|
| 1 | 76-0860 | 1 | Shaft-Coupling | 10:2 | | 1 | Ring-Commutator ● |
| 2 | 76-0850 | 1 | Bearing-Thrust | 11 | 94-8178 | 1 | Seal Kit |
| 3 | 92-9761 | 1 | Link-Drive | 11:1 | | 1 | Seal-Dirt And Water ● |
| 4 | 92-9762 | 7 | Screw-HH | 11:2 | | 1 | Backup-Ring ● |
| 5 | 3257-42 | 1 | Key-Woodruff | 11:3 | | 1 | Seal-Shaft ● |
| 6 | 92-9754 | 1 | Plate-Wear | 11:4 | | 1 | Washer-Backup ● |
| 7 | 76-0840 | 1 | Manifold | 11:5 | | 5 | Seal-Square, Ring (Inner) ● |
| 8 | 76-0940 | 1 | End Cover ASM | 11:6 | | 1 | Seal-Commutator ● |
| 9 | 92-9763 | 1 | Rotor Set | 12 | 76-0810 | 1 | Housing ASM |
| 9:1 | | 1 | Rotor ● | 12:1 | | 1 | Bearing ● |
| 9:2 | | 1 | Vane ● | 12:2 | | 1 | Housing ● |
| 9:3 | | 1 | Stator ● | 12:3 | | 2 | Washer-Thrust ● |
| 10 | 76-0880 | 1 | Commutator ASM | 12:4 | | 1 | Bearing-Thrust ● |
| 10:1 | | 1 | Commutator ● | 12:5 | | 1 | Bearing ● |

● Not serviced separately



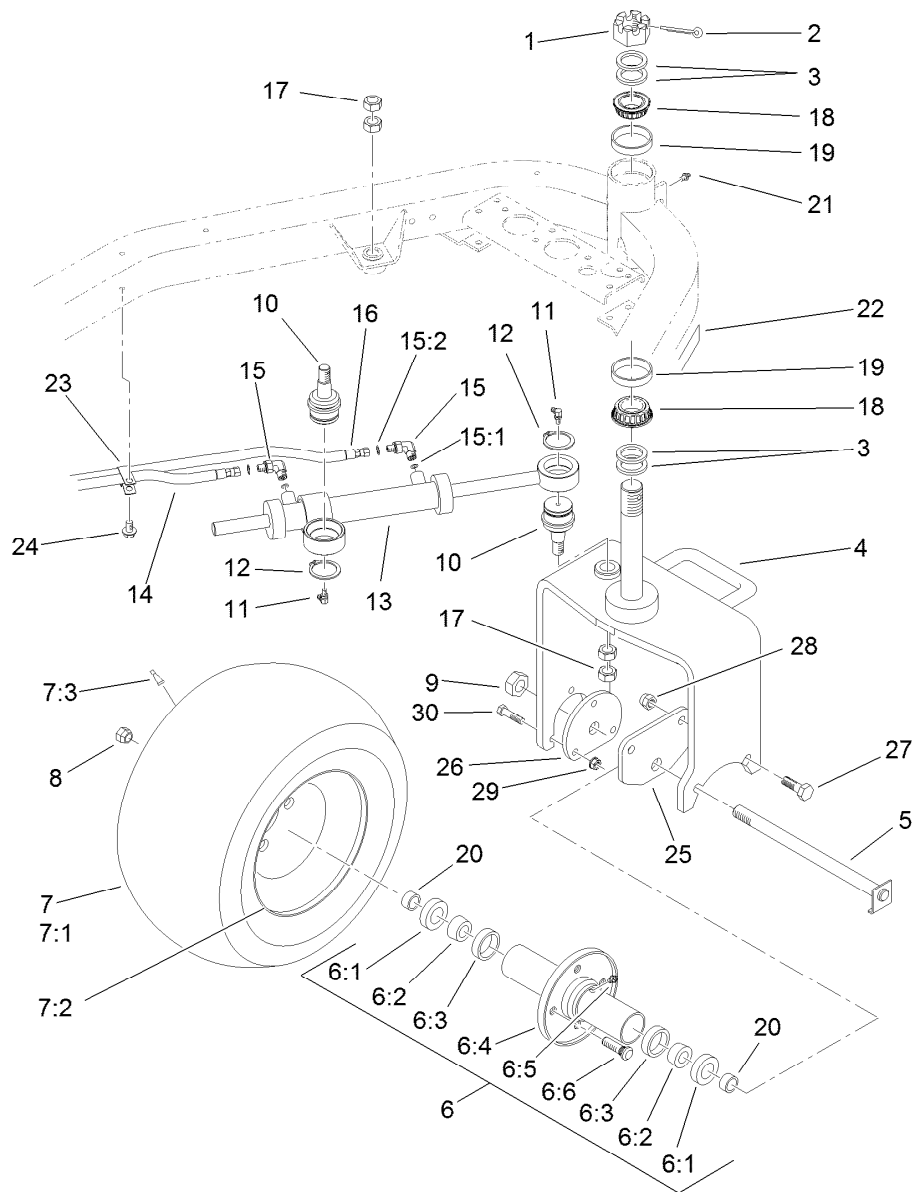
Steering Arm Assembly

| Ref. | Part Number | Qty. | Description | Ref. | Part Number | Qty. | Description |
|------|-------------|------|----------------------|------|-------------|------|----------------------|
| 1 | 233-48 | 1 | Knob | 17 | 340-1 | 2 | Fitting-Straight |
| 2 | 93-2400-03 | 1 | Lockup Handle ASM | 17:1 | 237-21 | 1 | O-Ring |
| 3 | 83-0760 | 1 | Spacer-Plate, Lockup | 17:2 | 237-42 | 1 | O-Ring |
| 4 | 83-0740 | 2 | Disc-Friction | 18 | 340-2 | 3 | Fitting-Straight |
| 5 | 75-0560 | 1 | Steering Wheel ASM | 18:1 | 237-22 | 1 | O-Ring |
| 5:1 | 32144-21 | 1 | Screw | 18:2 | 237-42 | 1 | O-Ring |
| 5:2 | 68-5140 | 1 | Cap-Wheel, Steering | 19 | 93-2115-01 | 1 | Steering Arm ASM |
| 6 | 3296-33 | 1 | Nut-Lock, NI | 20 | 93-8068 | 1 | Decal-Arm, Steering |
| 7 | 33103-016 | 4 | Screw-HHF | 21 | 3234-42 | 3 | Screw-HHF |
| 8 | 3256-27 | 1 | Washer-Flat | 22 | 3242-2 | 1 | Screw-SQH |
| 9 | 93-2199 | 1 | Screw-HH, RH | 23 | 114-4672 | 1 | Steering Valve ASM |
| 10 | 325-4 | 2 | Screw-HH | 24 | 65-6390 | 1 | Washer-Thrust, Plain |
| 11 | 3256-26 | 2 | Washer-Flat | 25 | 3290-277 | 6 | Nut-Speed |
| 12 | 47-2890 | 2 | Bushing | 26 | 121-2640 | 1 | Decal-Danger, CE |
| 13 | 3274-39 | 6 | Screw-HSBH | 26 | 121-2641 | 1 | Decal-Danger |
| 14 | 131-8750-03 | 1 | Steering Mount ASM | 30 | 3218-5 | 1 | Nut-Jam |
| 16 | 83-0810 | 1 | Cover-Steering | | | | |



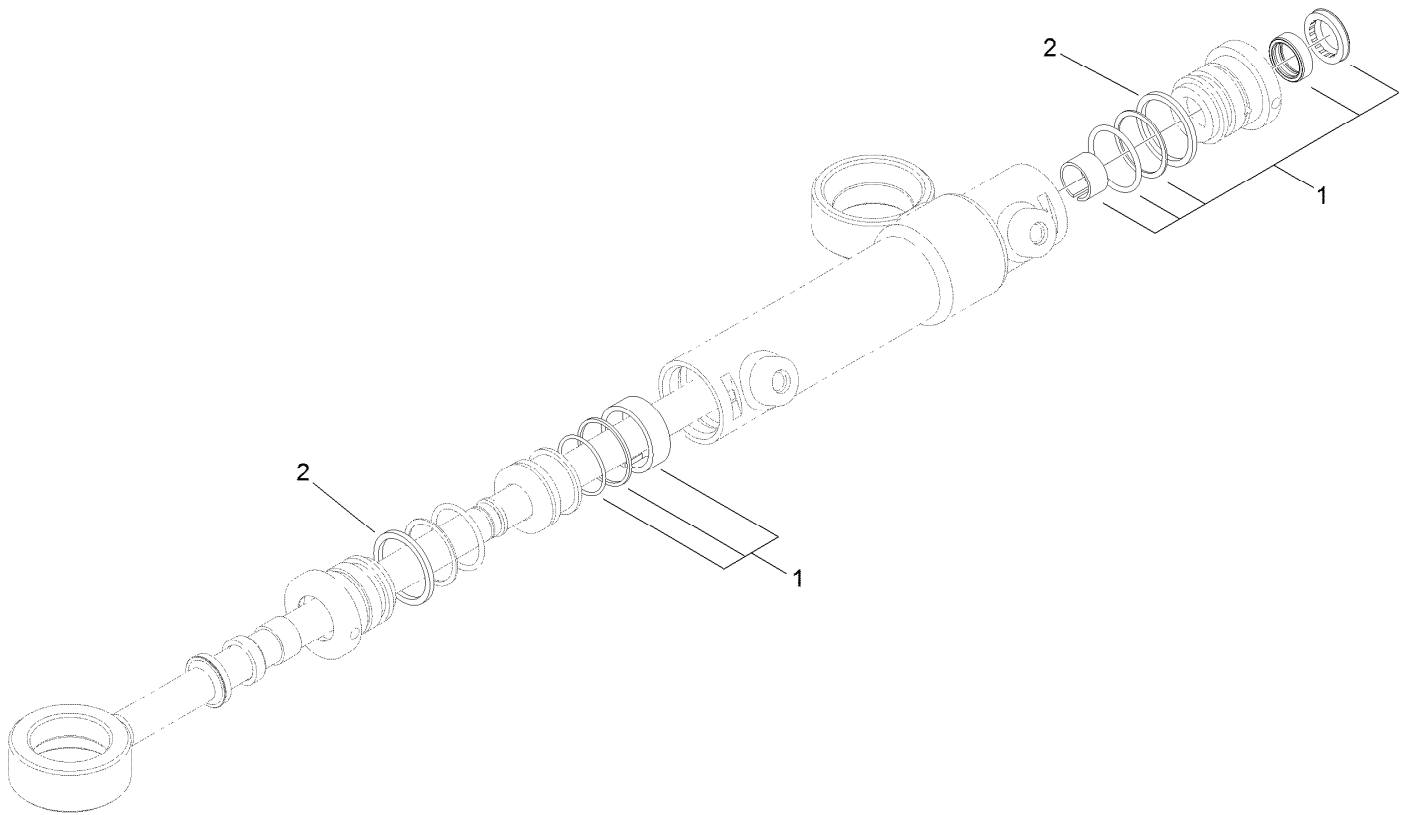
Steering Valve Assembly No. 114-4672

| <i>Ref.</i> | <i>Part Number</i> | <i>Qty.</i> | <i>Description</i> |
|-------------|--------------------|-------------|--------------------|
| 1 | 106-6716 | 1 | Seal Kit |



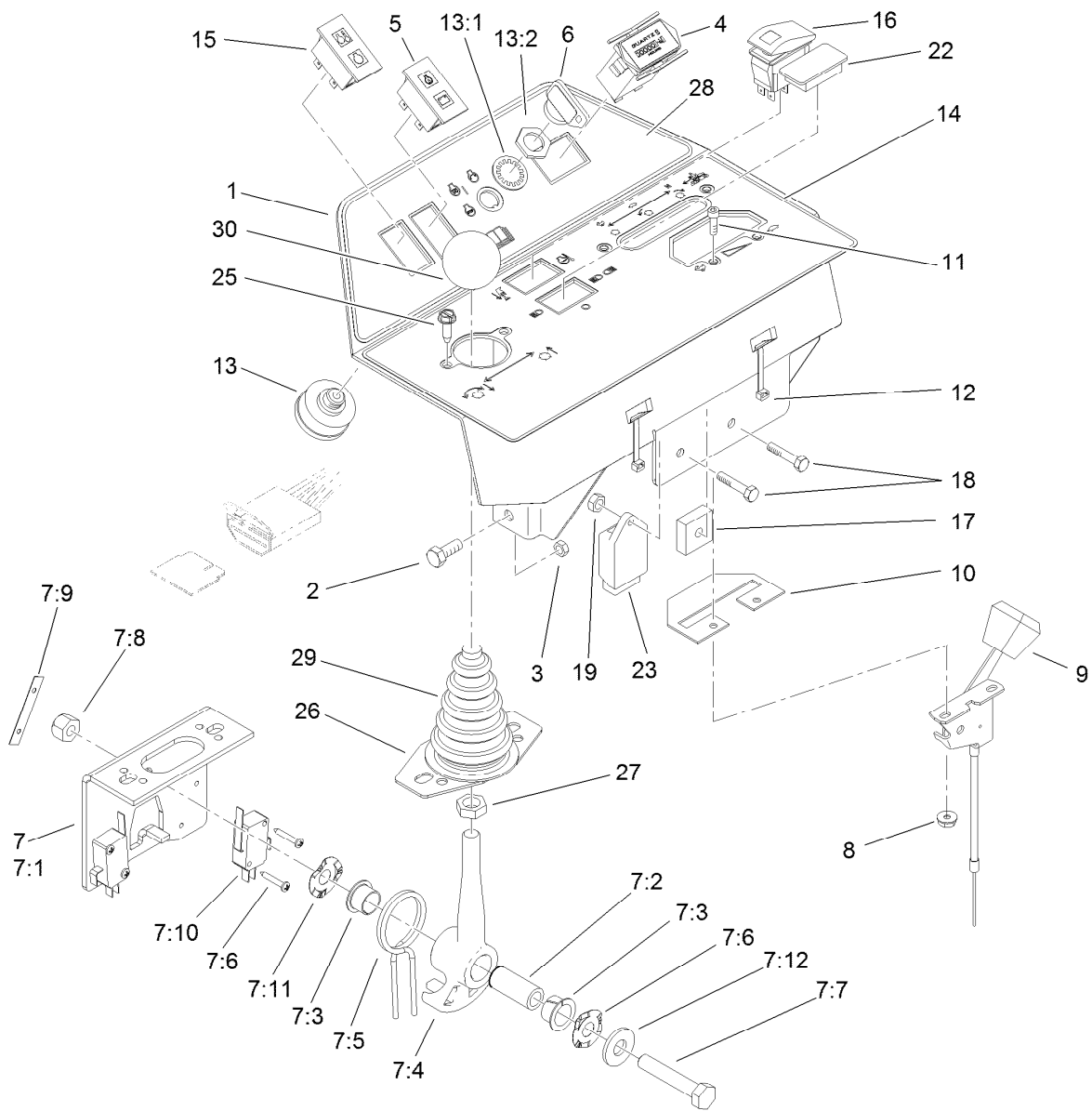
Rear Wheel Assembly

| Ref. | Part Number | Qty. | Description | Ref. | Part Number | Qty. | Description |
|------|-------------|------|--------------------------|------|-------------|------|---------------------------|
| 1 | 32136-9 | 1 | Nut-Hex, Slotted | 13 | 112-0298 | 1 | HYD Steering Cylinder ASM |
| 2 | 3272-37 | 1 | Pin-Cotter | 14 | 131-2001 | 1 | Hose ASM |
| 3 | 18-6320 | 4 | Washer-Steering | 15 | 340-132 | 2 | Fitting-Elbow, 90 DEG |
| 4 | 112-9174-01 | 1 | Fork-Caster | 15:1 | 237-78 | 1 | O-Ring |
| 5 | 70-8370 | 1 | Bolt | 15:2 | 237-21 | 1 | O-Ring |
| 6 | 72-9710 | 1 | Hub-Tire | 16 | 131-2000 | 1 | Hose ASM |
| 6:1 | 253-111 | 2 | Seal-Oil | 17 | 3220-6 | 4 | Nut-Jam |
| 6:2 | 254-78 | 2 | Bearing-Cone | 18 | 115-9472 | 2 | Bearing-Cone And Seal |
| 6:3 | 254-79 | 2 | Bearing-Roller, Cup | 19 | 115-9471 | 2 | Bearing-Cup |
| 6:4 | 75-9440 | 1 | Hub ASM | 20 | 70-8490 | 2 | Spacer-Spindle, Rear |
| 6:5 | 302-11 | 1 | Fitting-Lube, 45 DEG | 21 | 302-5 | 1 | Fitting-Grease |
| 6:6 | 10-6830 | 4 | Stud-Type, Drive | 22 | 99-1493 | 1 | Decal |
| 7 | 114-4665 | 1 | Tire ASM | 23 | 2412-137 | 1 | Clamp-R, Double |
| 7:1 | 70-8500 | 1 | Tire-Smooth, 4-Ply | 24 | 32104-32 | 1 | Screw-HWH |
| 7:2 | 114-4643 | 1 | Wheel | 25 | 99-1485-01 | 1 | Plate-Adapter, Motor |
| 7:3 | 232-27 | 1 | Stem-Valve | 26 | 99-1486-01 | 1 | Plate-Adapter |
| 8 | 242-50 | 4 | Nut-Lug | 27 | 325-6 | 2 | Screw-HH |
| 9 | 3296-67 | 1 | Nut-Lock, NI | 28 | 99-5107 | 2 | Nut-Lock |
| 10 | 106-6774 | 2 | Joint-Ball | 29 | 104-8301 | 3 | Nut-HF, NI |
| 11 | 302-60 | 2 | Fitting-Grease | 30 | 114-4681 | 3 | Screw-HHF |
| 12 | 32151-104 | 2 | Ring-Retaining, External | | | | |



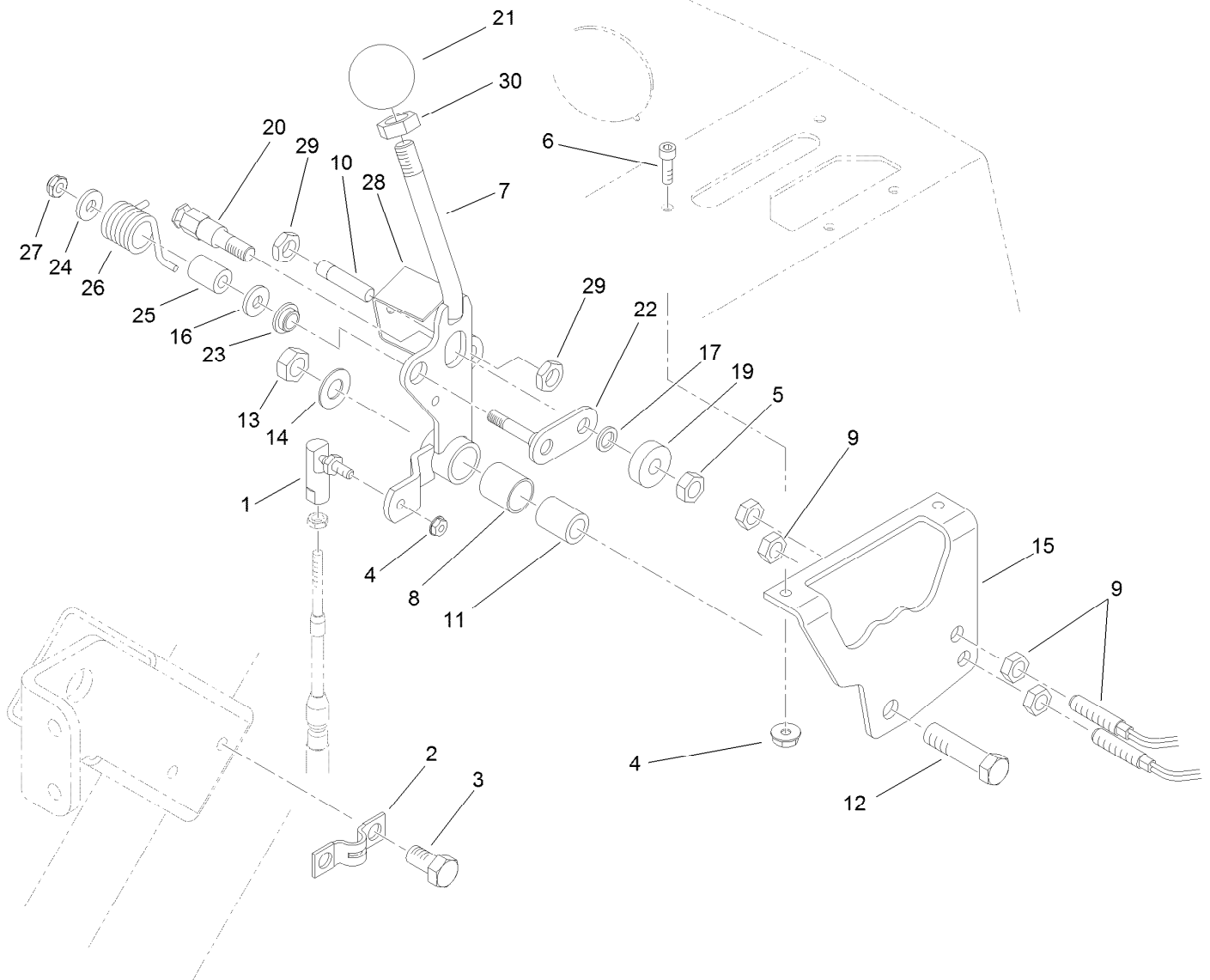
Hydraulic Cylinder Assembly No. 112-0298

| <i>Ref.</i> | <i>Part Number</i> | <i>Qty.</i> | <i>Description</i> |
|-------------|--------------------|-------------|--------------------|
| 1 | 112-9170 | 2 | Seal Kit |
| 2 | 117-9548 | 2 | Ring-Retaining |



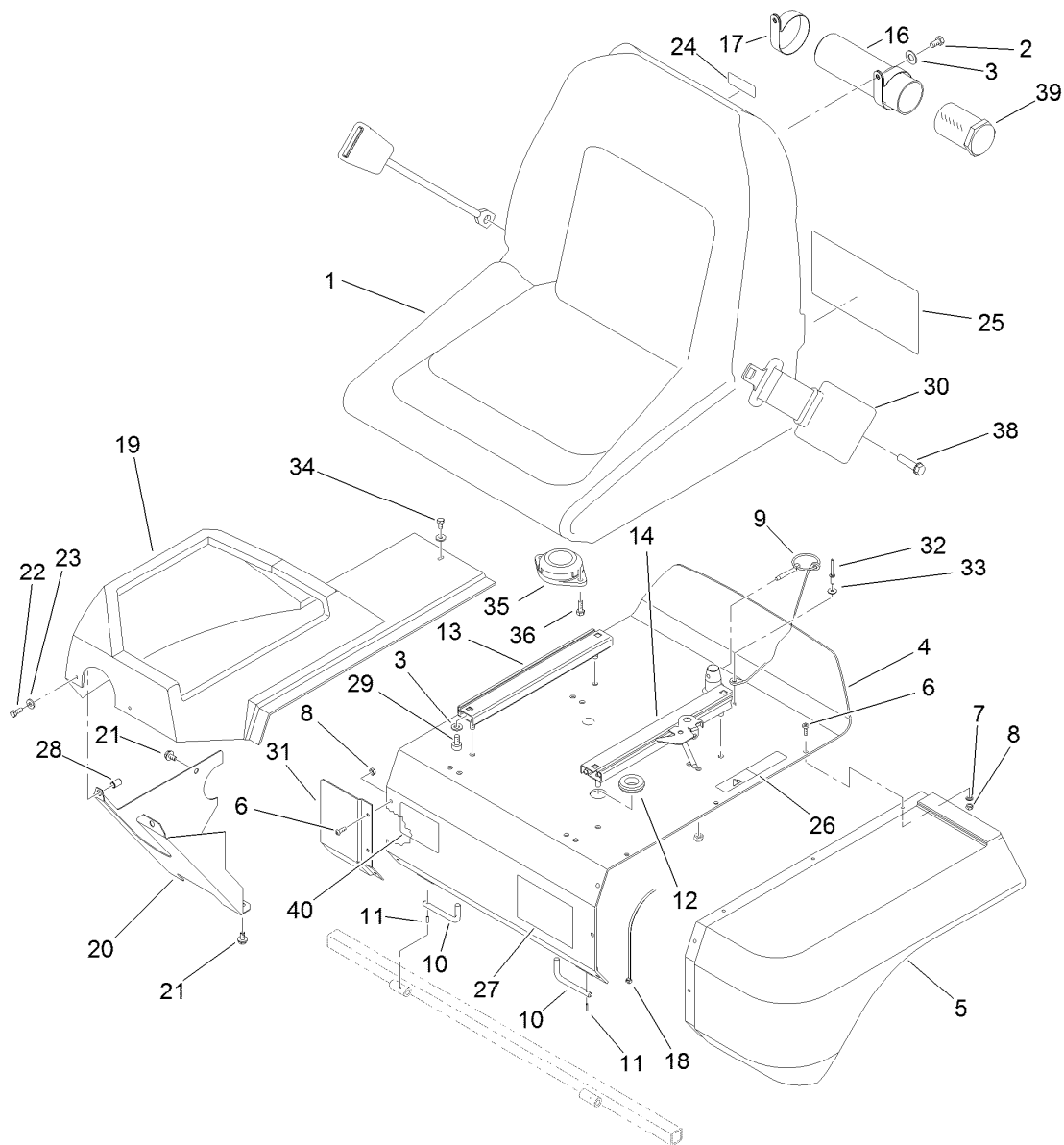
Console Assembly

| Ref. | Part Number | Qty. | Description | Ref. | Part Number | Qty. | Description |
|------|-------------|------|-----------------------|------|-------------|------|-----------------------------|
| 1 | 127-6136-03 | 1 | Console ASM | 10 | 112-9179 | 1 | Plate-Cover |
| 2 | 3234-47 | 4 | Screw-HHF | 11 | 3273-26 | 2 | Screw-HSH |
| 3 | 104-8300 | 4 | Nut-HF, NI | 12 | 3290-378 | 2 | Tie-Cable |
| 4 | 1-513374 | 1 | Meter-Hour | 13 | 27-2360 | 1 | Switch |
| 5 | 100-8070 | 1 | Lamp-Warning | 13:1 | 218-446 | 1 | Nut-Hex |
| 6 | 63-8360 | 2 | Key-Ignition | 13:2 | 218-447 | 1 | Washer-Lock |
| 7 | 120-5280 | 1 | Bracket-Joystick | 14 | 127-6115 | 1 | Decal-Panel, Instrument |
| 7:1 | 115-5357-03 | 1 | Bracket-Joystick | 15 | 100-8071 | 1 | Lamp-Warning |
| 7:2 | 106-4192 | 1 | Spacer | 16 | 100-8072 | 1 | Switch-Rocker, On-None-(On) |
| 7:3 | 93-5547 | 2 | Bushing-Nylon | 17 | 92-2538 | 1 | Module-Timer |
| 7:4 | 119-3540 | 1 | Hub-Pivot, Joystick | 18 | 3234-21 | 2 | Screw-HHF |
| 7:5 | 105-8289 | 1 | Spring-Torsion | 19 | 104-7201 | 2 | Nut-HF, NI |
| 7:6 | 106-4193 | 2 | Washer-Finger, Spring | 22 | 99-7420 | 1 | Plug-Hole |
| 7:7 | 322-9 | 1 | Screw-HH | 23 | 107-9097 | 1 | Controller-Glow |
| 7:8 | 3296-29 | 1 | Nut-Lock, NI | 25 | 32144-19 | 2 | Screw-SHWH |
| 7:9 | 3290-354 | 2 | Nut-Speed | 26 | 112-9181 | 1 | Plate-Boot |
| 7:10 | 108-6496 | 2 | Switch (W/Boot) | 27 | 3218-3 | 1 | Nut-Jam |
| 7:11 | 95-3003 | 4 | Screw-PPHTF | 28 | 127-6114 | 1 | Decal-Panel, Instrument |
| 7:12 | 3256-3 | 1 | Washer-Flat | 29 | 93-5961 | 1 | Boot-Lever |
| 8 | 32149-8 | 2 | Nut-Keps | 30 | 233-42 | 1 | Knob |
| 9 | 120-5261 | 1 | Control-Throttle | | | | |



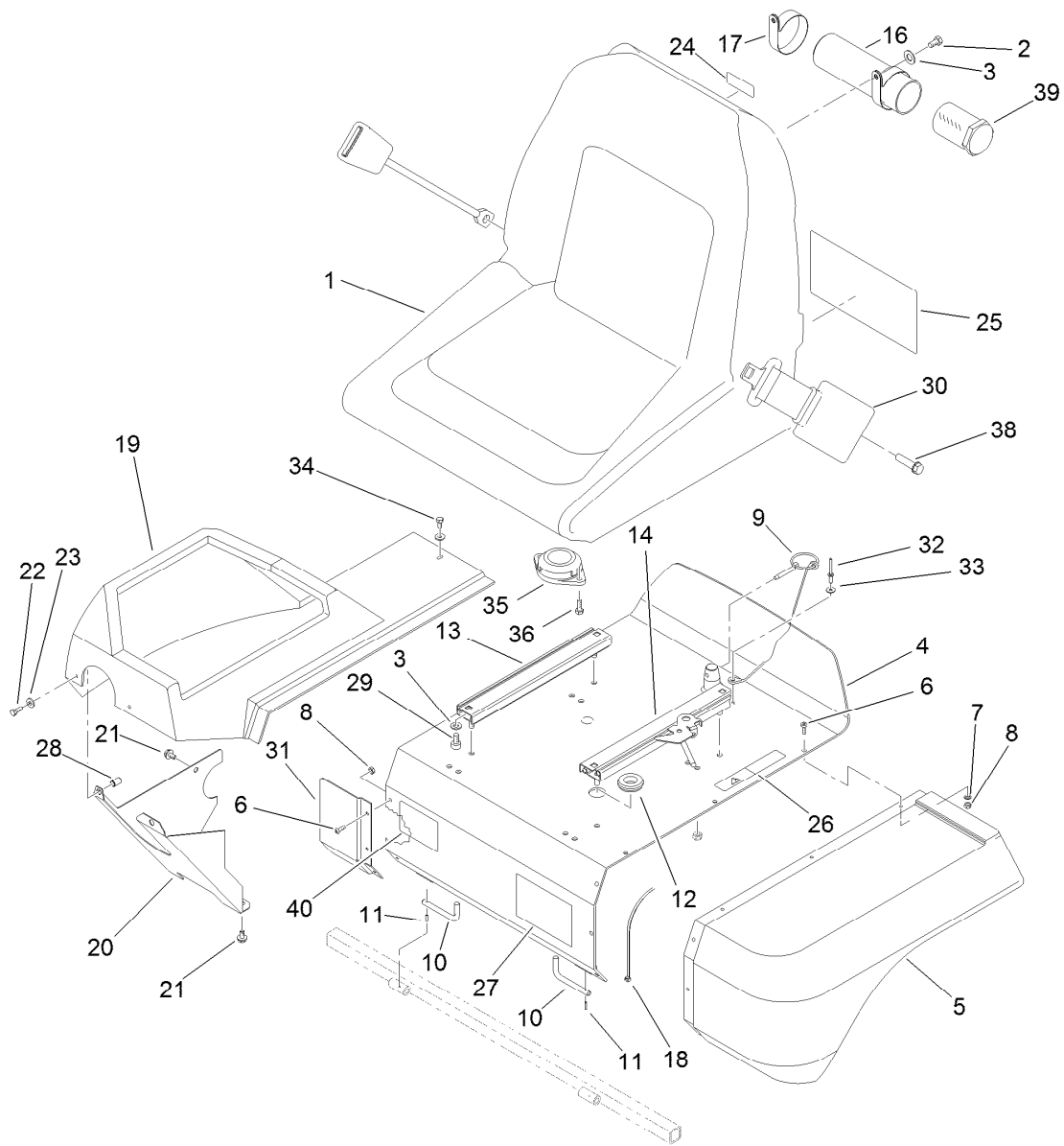
Functional Control Lever Assembly

| Ref. | Part Number | Qty. | Description | Ref. | Part Number | Qty. | Description |
|------|-------------|------|--------------------|------|-------------|------|----------------|
| 1 | 2411-38 | 1 | Joint-Ball | 16 | 3256-23 | 1 | Washer-Plain |
| 2 | 93-2279 | 1 | Clamp-Cable | 17 | 75-5470 | 1 | Spacer-Bearing |
| 3 | 32104-32 | 2 | Screw-HWH | 19 | 251-259 | 1 | Bearing-Ball |
| 4 | 32149-8 | 3 | Nut-Keps | 20 | 94-9617 | 1 | Pin-Spring |
| 5 | 33024-00 | 1 | Nut-Lock, NI | 21 | 233-42 | 1 | Knob |
| 6 | 3273-26 | 2 | Screw-HSH | 22 | 120-3198 | 1 | Roller-Pivot |
| 7 | 94-9611 | 1 | Handle | 23 | 94-9619 | 1 | Bushing |
| 8 | 256-311 | 1 | Bushing-Split | 24 | 3256-67 | 1 | Washer |
| 9 | 112-0278 | 2 | Switch-Reed | 25 | 94-9618 | 1 | Spacer-Spring |
| 10 | 120-5348 | 1 | Actuator-Switch | 26 | 94-9620 | 1 | Spring-Torsion |
| 11 | 94-1378 | 1 | Tube-Pivot, Handle | 27 | 33023-00 | 1 | Nut-Lock |
| 12 | 33115-040 | 1 | Screw-HH | 28 | 106-6356 | 1 | Shield-Switch |
| 13 | 33025-00 | 1 | Nut-Lock, NI | 29 | 117-4059 | 2 | Nut-Hex |
| 14 | 3256-24 | 1 | Washer-Flat | 30 | 3218-3 | 1 | Nut-Jam |
| 15 | 94-6398 | 1 | Bracket-Traction | | | | |



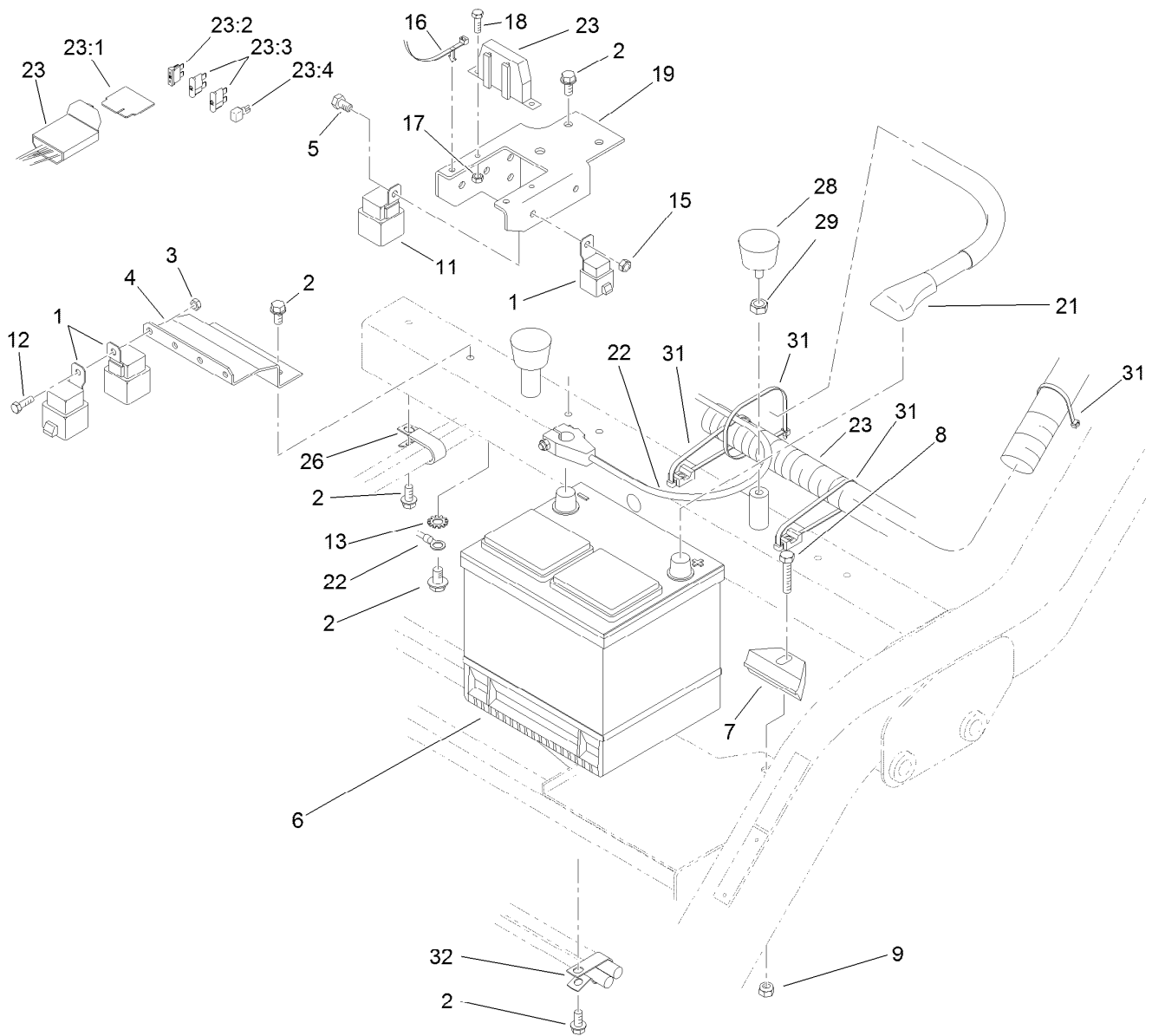
Seat Assembly

| Ref. | Part Number | Qty. | Description | Ref. | Part Number | Qty. | Description |
|------|-------------|------|----------------------------|------|-------------|------|---------------------------|
| 1 | 104-4620 | 1 | Seat | 23 | 3256-1 | 3 | Washer-Flat |
| 2 | 3234-7 | 2 | Screw-HHF | 24 | 93-6686 | 1 | Decal-Oil, HYD |
| 3 | 3256-23 | 4 | Washer-Plain | 25 | 121-9500 | 1 | Decal-Service, English |
| 4 | 93-2135-03 | 1 | Seat Support ASM | 25 | 121-9501 | 1 | Decal-Service, Spanish |
| 5 | 93-2128 | 1 | Panel-Base, Seat | 25 | 121-9502 | 1 | Decal-Service, French |
| 6 | 3274-39 | 9 | Screw-HSBH | 25 | 121-9503 | 1 | Decal-Service, German |
| 7 | 3256-77 | 6 | Washer-Flat | 25 | 121-9504 | 1 | Decal-Service, Swedish |
| 8 | 3296-12 | 9 | Nut-Lock, NI | 25 | 121-9505 | 1 | Decal-Service, Italian |
| 9 | 77-3780 | 1 | Pin ASM-Lynch | 25 | 121-9506 | 1 | Decal-Service, Portuguese |
| 10 | 93-2422 | 2 | Rod-Pivot, Seat | 25 | 121-9507 | 1 | Decal-Service, Norwegian |
| 11 | 32121-7 | 2 | Pin-Roll, Slotted | 25 | 121-9508 | 1 | Decal-Service, Finnish |
| 12 | 237-100 | 1 | Grommet | 25 | 121-9509 | 1 | Decal-Service, Danish |
| 13 | 92-8990 | 1 | Adjuster-Seat, Non-Locking | 25 | 121-9510 | 1 | Decal-Service, Dutch |
| 14 | 92-8991 | 1 | Adjuster (W/Latch) | 25 | 121-9511 | 1 | Decal-Service, Japanese |
| 16 | 104-7050 | 1 | Tube-Manual | 26 | 93-6689 | 1 | Decal-No Riders |
| 17 | 2412-133 | 2 | Clamp-R | 27 | 94-2579 | 1 | Decal |
| 18 | 3290-378 | 1 | Tie-Cable | 28 | 93-5447 | 2 | Nut-Clinch |
| 19 | 99-4208 | 1 | Shroud-Console | 29 | 3274-12 | 4 | Screw-HSH |
| 20 | 94-4547-03 | 1 | Panel-Lower, RH | 30 | 100-4928 | 1 | Belt-Seat |
| 21 | 32104-32 | 2 | Screw-HWH | 31 | 94-4546-03 | 1 | Panel-Extension |
| 22 | 33113-016 | 2 | Screw-HH | 32 | 3290-282 | 1 | Rivet-Blind |



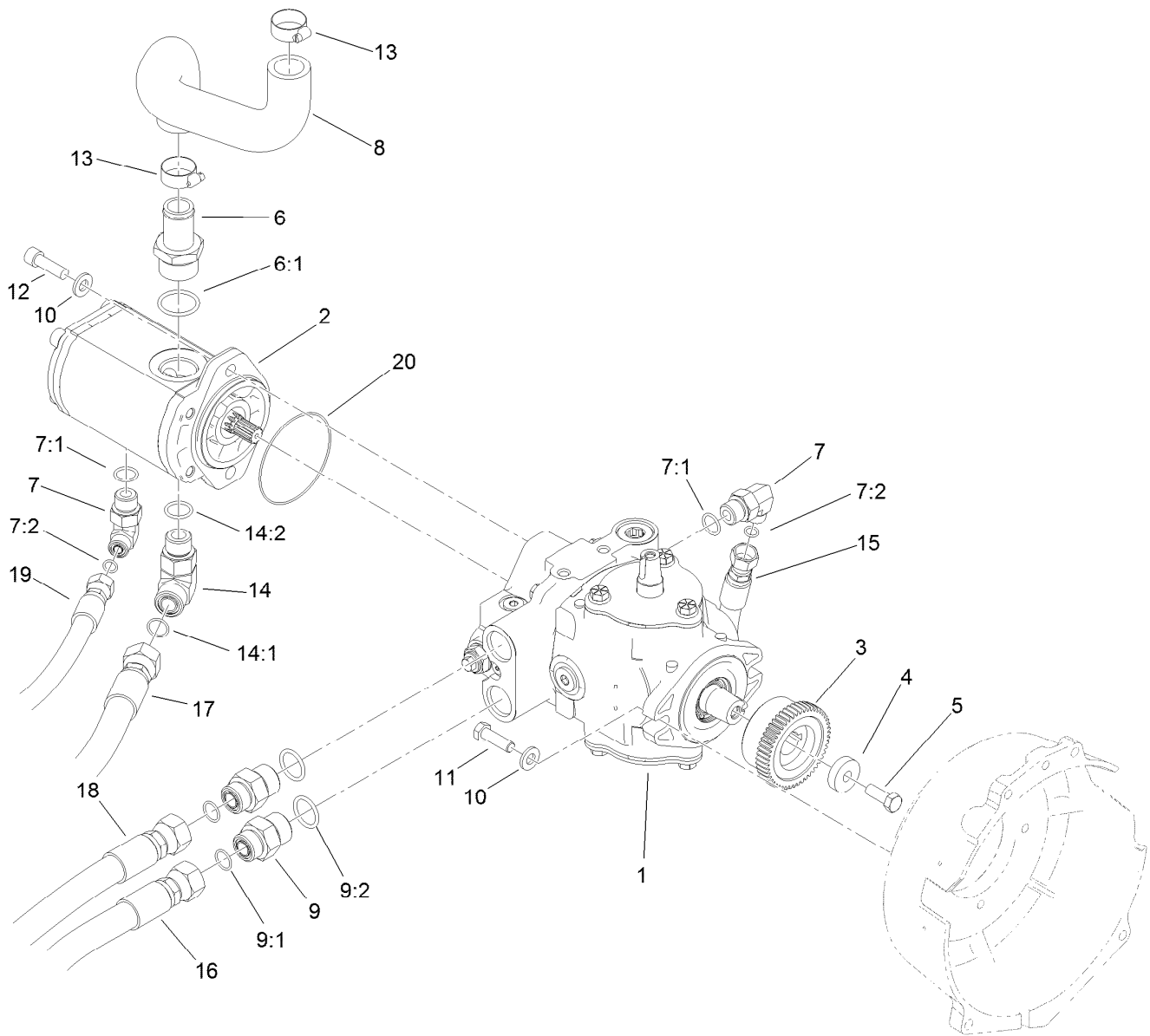
Seat Assembly (continued)

| <i>Ref.</i> | <i>Part Number</i> | <i>Qty.</i> | <i>Description</i> | <i>Ref.</i> | <i>Part Number</i> | <i>Qty.</i> | <i>Description</i> |
|-------------|--------------------|-------------|--------------------|-------------|--------------------|-------------|--------------------|
| 33 | 3256-49 | 1 | Washer-Plain | 38 | 117-9035 | 2 | Screw-HHF |
| 34 | 33113-012 | 1 | Screw-HH | 39 | 104-7048 | 1 | Cap-Housing |
| 35 | 92-6282 | 1 | Switch-Seat | 40 | 115-8156 | 1 | Decal-Speed, Clip |
| 36 | 32144-10 | 2 | Screw-HWH | | | | |



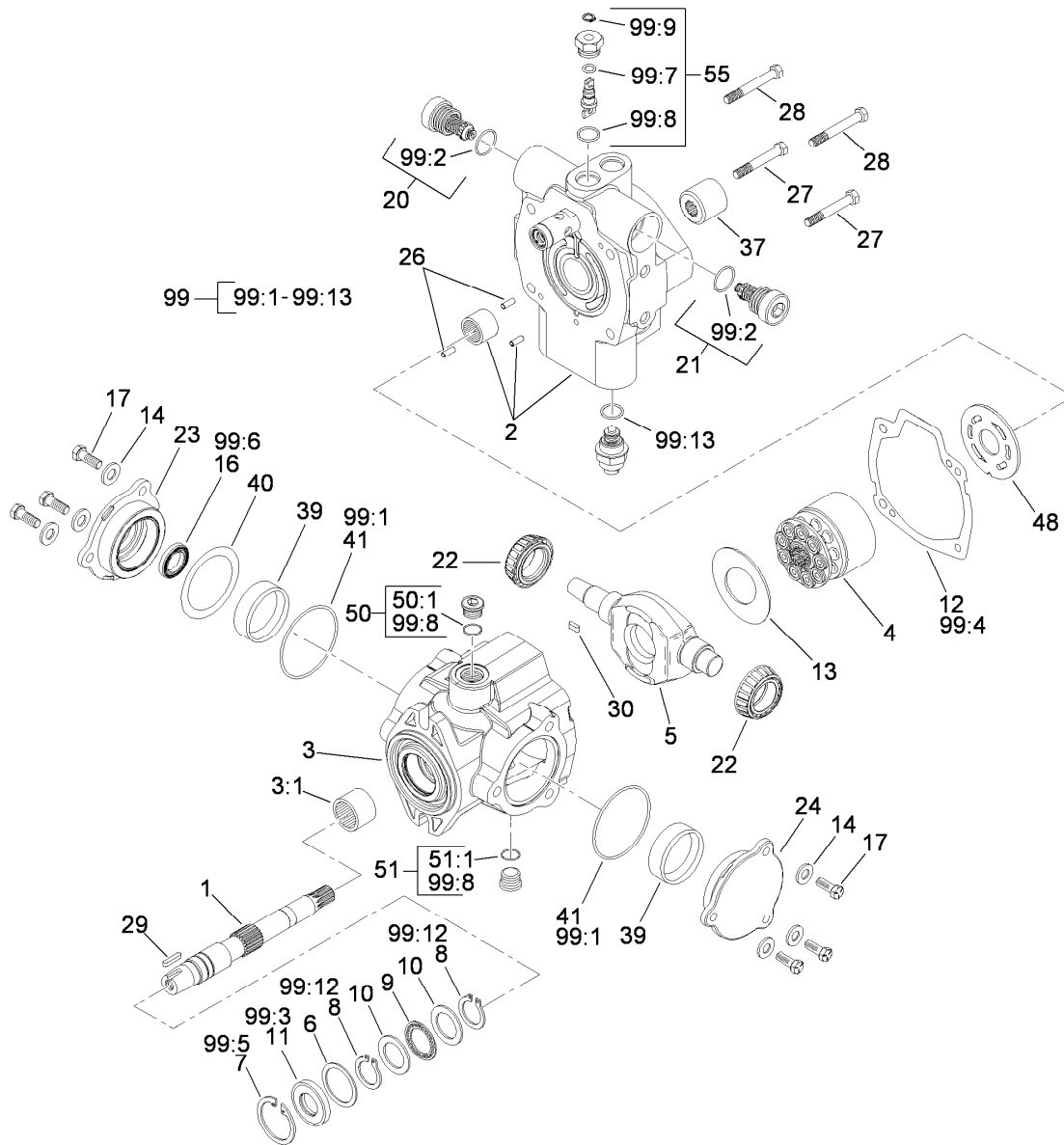
Battery and Electrical Component Assembly

| <i>Ref.</i> | <i>Part Number</i> | <i>Qty.</i> | <i>Description</i> | <i>Ref.</i> | <i>Part Number</i> | <i>Qty.</i> | <i>Description</i> |
|-------------|--------------------|-------------|----------------------------------|-------------|--------------------|-------------|-------------------------|
| 1 | 99-7430 | 9 | Relay-Mini | 17 | 32149-7 | 2 | Nut-Keps |
| 2 | 32104-32 | 7 | Screw-HWH | 18 | 32105-13 | 2 | Screw-HWH |
| 3 | 104-7201 | 4 | Nut-HF, NI | 19 | 119-3537-01 | 1 | Bracket-Fuse Block |
| 4 | 93-2169-01 | 1 | Bracket-Relay | 21 | 95-8853 | 1 | Cable-Battery, Positive |
| 5 | 3290-134 | 1 | Screw | 22 | 99-8167 | 1 | Cable-Battery, Negative |
| 6 | 106-5187 | 1 | Battery, 525 CCA W/O Electrolyte | 23 | 122-0149 | 1 | Harness-Wire |
| 7 | 66-2490 | 1 | Retainer-Battery | 23:1 | 92-3188 | 2 | Diode-Board, Circuit |
| 8 | 3234-19 | 1 | Screw-HHF | 23:2 | 109355 | 1 | Fuse-Blade, 15 Amp |
| 9 | 104-8301 | 1 | Nut-HF, NI | 23:3 | 218-578 | 2 | Fuse-Blade, 10 Amp |
| 11 | 99-7435 | 1 | Relay | 23:4 | 104-4022 | 1 | Resistor-75 Ohm |
| 12 | 99-6810 | 4 | Screw-HHF | 26 | 92-5753 | 1 | Clamp-Hose |
| 13 | 3254-2 | 1 | Washer-Lock, Internal | 28 | 68-3270 | 2 | Bumper-Rubber |
| 15 | 3296-2 | 1 | Nut-Lock, NI | 29 | 3218-2 | 2 | Nut-Hex Jam |
| 16 | 32180-030 | 2 | Clip-Tie | 31 | 3290-378 | 6 | Tie-Cable |
| | | | | 32 | 2412-137 | 1 | Clamp-R, Double |



Hydrostat and Gear Pump Drive Assembly

| <i>Ref.</i> | <i>Part Number</i> | <i>Qty.</i> | <i>Description</i> | <i>Ref.</i> | <i>Part Number</i> | <i>Qty.</i> | <i>Description</i> |
|-------------|--------------------|-------------|---------------------|-------------|--------------------|-------------|-----------------------|
| 1 | 121-9557 | 1 | Pump-Hydro | 10 | 100-4852 | 4 | Washer-Hardened |
| 2 | 114-9956 | 1 | HYD Gear Pump ASM | 11 | 323-7 | 2 | Screw-HH |
| 3 | 119-4418 | 1 | Coupling | 12 | 3274-1 | 2 | Screw-HSH |
| 4 | 117-3657 | 1 | Spacer | 13 | 2412-34 | 2 | Clamp-Hose |
| 5 | 3211-4 | 1 | Screw-HH | 14 | 340-17 | 1 | Fitting-Elbow, 90 DEG |
| 6 | 354-78 | 1 | Fitting-STR | 14:1 | 237-65 | 1 | O-Ring |
| 6:1 | 237-146 | 1 | O-Ring | 14:2 | 237-80 | 1 | O-Ring |
| 7 | 340-18 | 2 | Fitting-HYD, 90 DEG | 15 | 131-6205 | 1 | Hose ASM |
| 7:1 | 237-79 | 1 | O-Ring | 16 | 131-6208 | 1 | Hose ASM |
| 7:2 | 237-22 | 1 | O-Ring | 17 | 131-6206 | 1 | Hose ASM |
| 8 | 99-1905 | 1 | Hose-Inlet, Pump | 18 | 131-6207 | 1 | Hose ASM |
| 9 | 340-8 | 2 | Fitting-Straight | 19 | 131-6204 | 1 | Hose ASM |
| 9:1 | 237-65 | 1 | O-Ring | 20 | 353-949 | 1 | O-Ring |
| 9:2 | 237-81 | 1 | O-Ring | | | | |

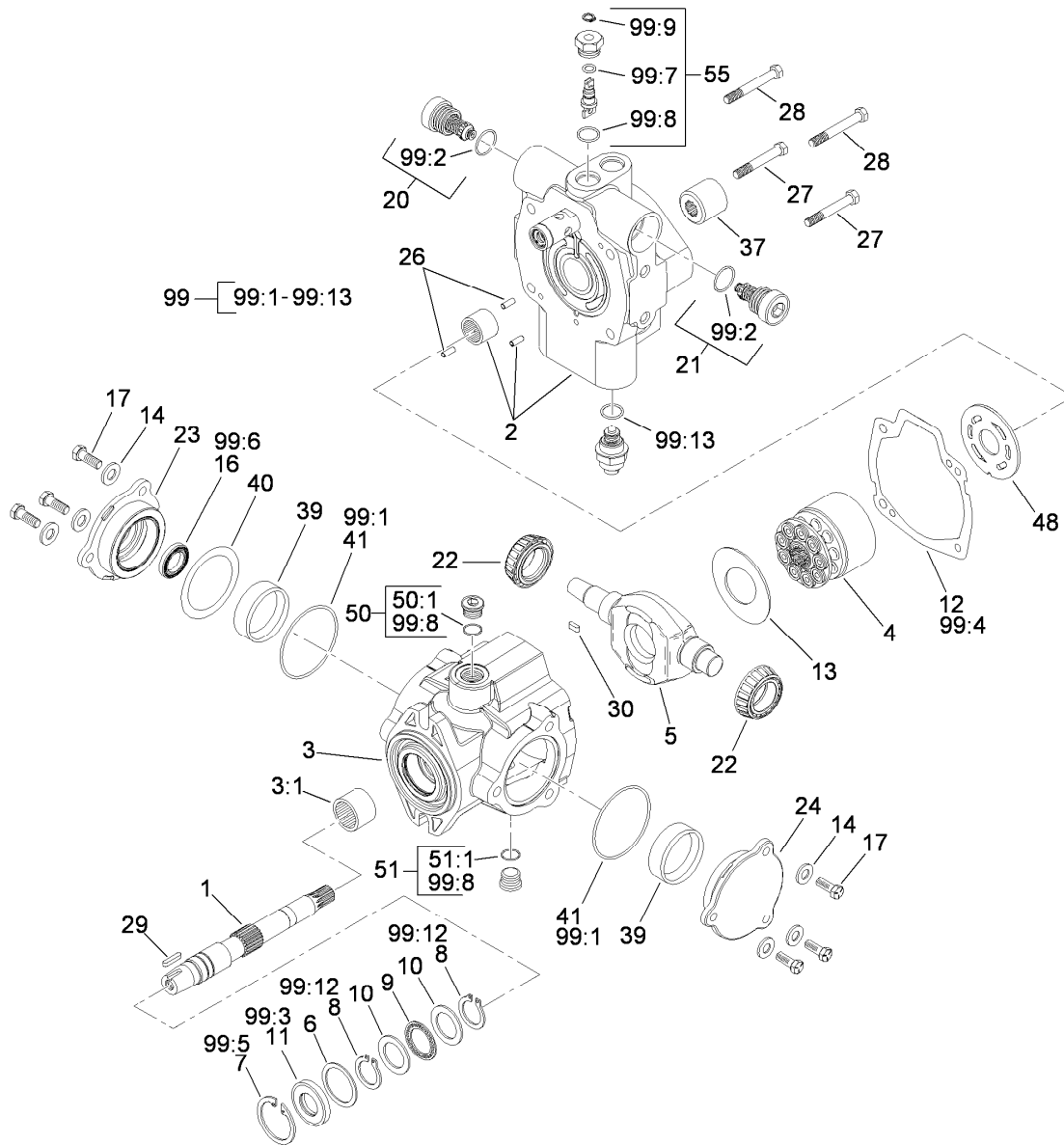


Hydraulic Pump Assembly No. 121-9557

| Ref. | Part Number | Qty. | Description | Ref. | Part Number | Qty. | Description |
|------|-------------|------|----------------------|------|-------------|------|------------------|
| 1 | 119-7148 | 1 | Shaft-Drive, Tapered | 21 | 120-1989 | 1 | Relief Valve ASM |
| 2 | 121-9574 | 1 | Endcover ASM | 22 | 98-4639 | 2 | Bearing-Cone |
| 3 | 100-3176 | 1 | Housing ASM | 23 | 98-4645 | 1 | Plate-Cover |
| 3:1 | 94-6363 | 1 | Bearing | 24 | 98-4644 | 1 | Plate-Cover |
| 4 | 76-6070 | 1 | Rotating Kit | 26 | 76-6150 | 2 | Pin-Dowel |
| 5 | 100-3175 | 1 | Camplate | 27 | 76-6160 | 2 | Capscrew |
| 6 | 33-3720 | 1 | Washer | 28 | 76-6170 | 2 | Capscrew |
| 7 | 32151-13 | 1 | Ring-Retaining | 29 | 120-5751 | 1 | Key |
| 8 | 32151-29 | 2 | Ring-Retaining | 30 | 94-3646 | 1 | Key |
| 9 | 252-66 | 1 | Bearing-Thrust | 37 | 74-9040 | 1 | Coupler |
| 10 | 252-71 | 2 | Washer-Thrust | 39 | 104-4046 | 2 | Bearing-Cup |
| 11 | 104-4861 | 1 | Seal-Shaft | 40 | 100-3182 | 1 | Shim Kit |
| 12 | 33-4930 | 1 | Gasket-Housing | 41 | 100-3179 | 2 | O-Ring |
| 13 | 98-4635 | 1 | Insert-Plate, Cam | 48 | 100-3180 | 1 | Plate-Valve |
| 14 | 105-9762 | 6 | Washer | 50 | 74-9280 | 1 | Plug ASM |
| 16 | 76-6190 | 1 | Seal-Shaft | 50:1 | | 1 | O-Ring ■ |
| 17 | 98-4640 | 6 | Screw-Cap | 51 | 74-9280 | 1 | Plug ASM |
| 20 | 120-1989 | 1 | Relief Valve ASM | 51:1 | | 1 | O-Ring ■ |

● Not illustrated

■ Not serviced separately

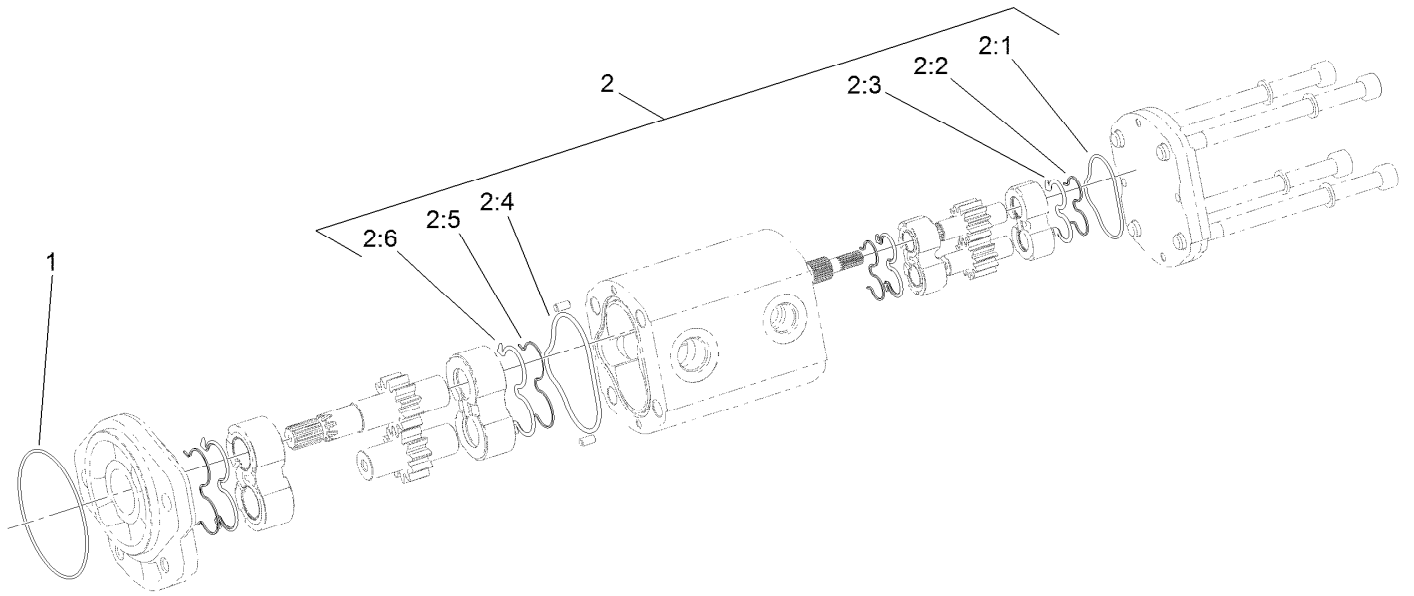


Hydraulic Pump Assembly No. 121-9557 (continued)

| Ref. | Part Number | Qty. | Description | Ref. | Part Number | Qty. | Description |
|------|-------------|------|------------------|-------|-------------|------|--|
| 55 | 105-3811 | 1 | Valve-Bypass | 99:8 | | 5 | O-Ring ■ |
| 99 | 120-5754 | 1 | Seal Kit | 99:9 | | 1 | Ring-Retaining ■ |
| 99:1 | | 2 | O-Ring ■ | 99:10 | | 1 | O-Ring (Not Used For This Configuration) ●■ |
| 99:2 | | 2 | O-Ring ■ | 99:11 | | 1 | O Ring-Molded (Not Used For This Configuration) ●■ |
| 99:3 | | 1 | Seal-Shaft ■ | 99:12 | | 2 | Ring-Retaining ■ |
| 99:4 | | 1 | Gasket ■ | 99:13 | | 1 | O-Ring ■ |
| 99:5 | | 1 | Ring-Retaining ■ | | | | |
| 99:6 | | 1 | Seal-Shaft ■ | | | | |
| 99:7 | | 1 | O-Ring ■ | | | | |

● Not illustrated

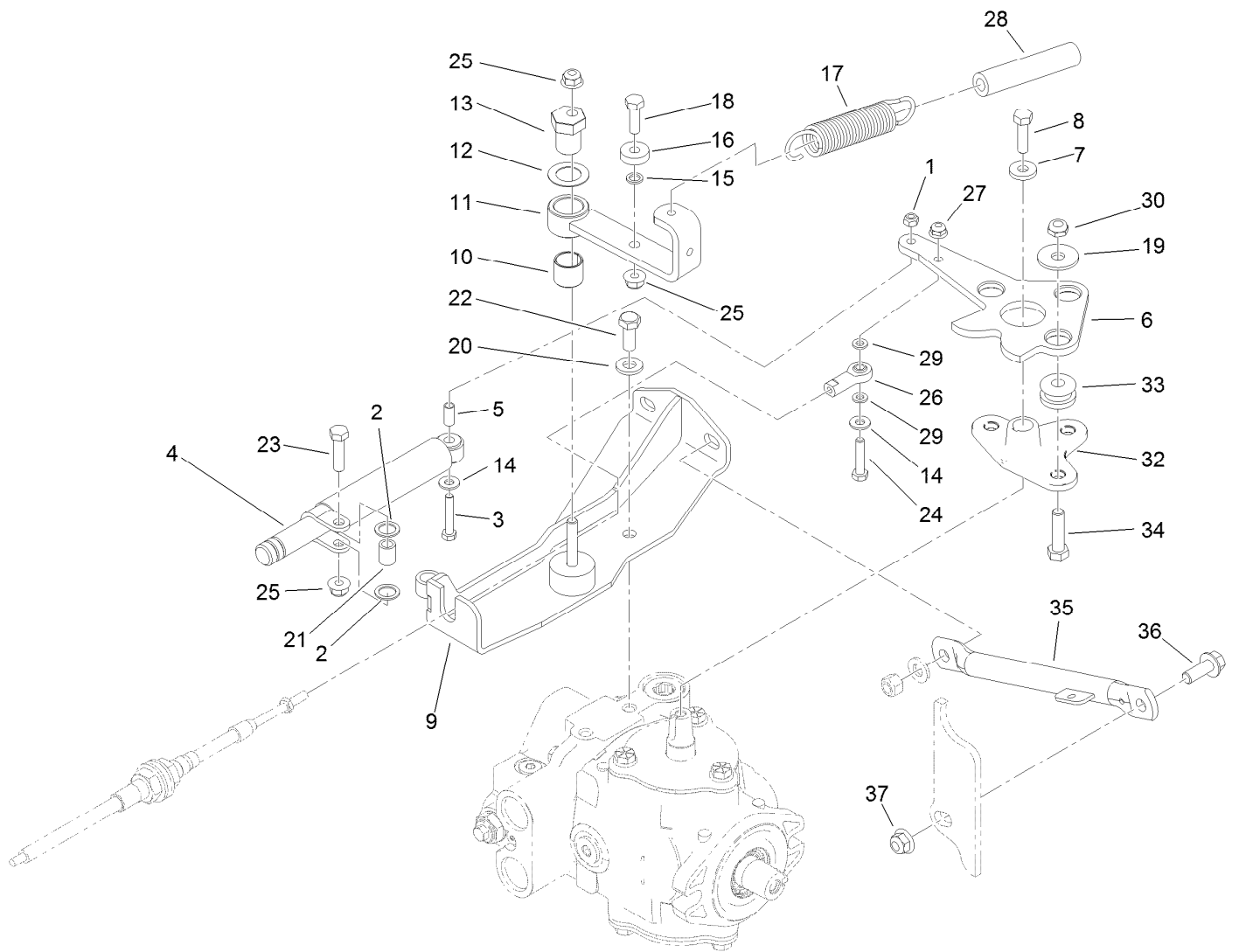
■ Not serviced separately



Hydraulic Gear Pump Assembly No. 114-9956

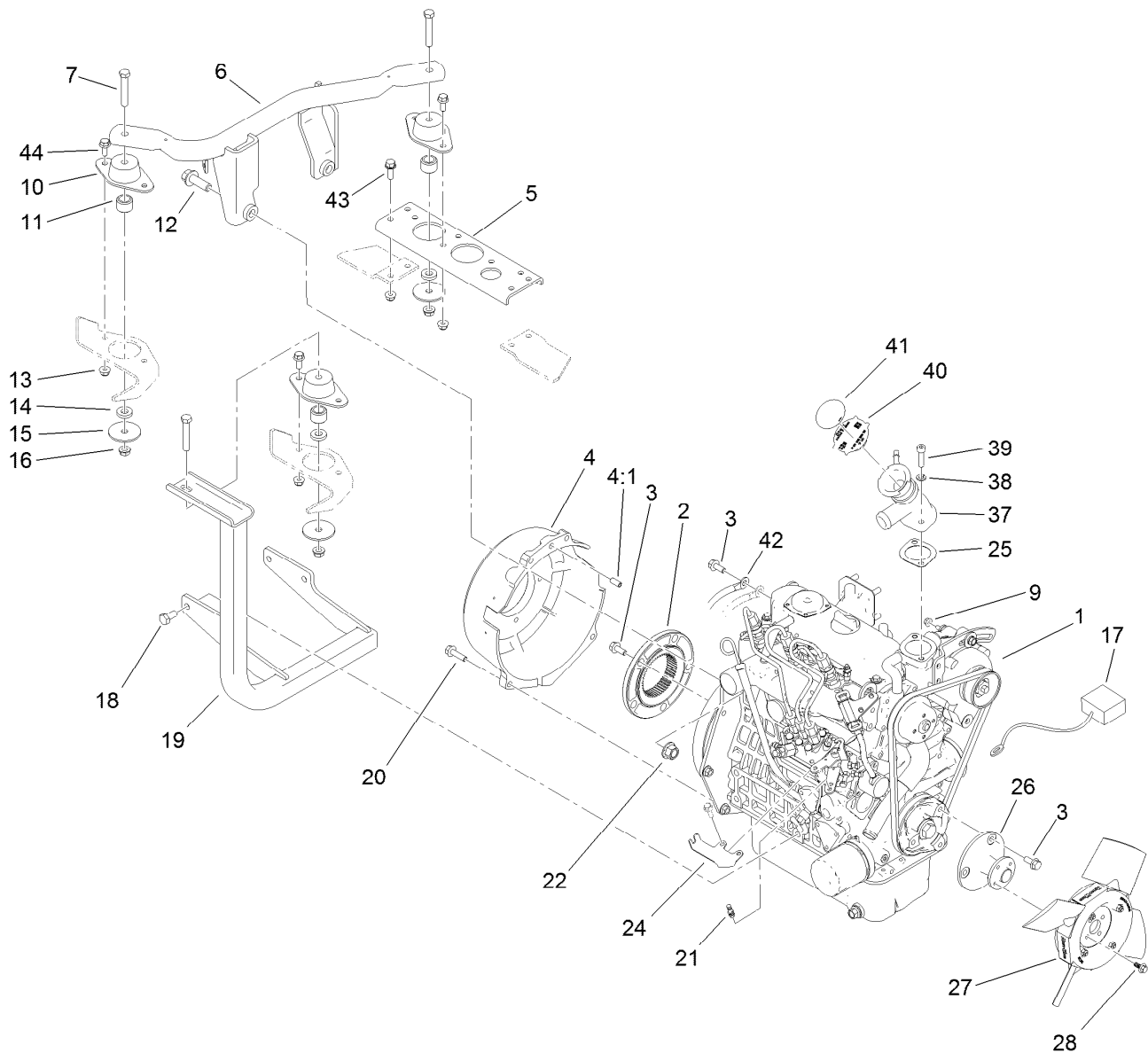
| <i>Ref.</i> | <i>Part Number</i> | <i>Qty.</i> | <i>Description</i> |
|-------------|--------------------|-------------|------------------------|
| 1 | 353-949 | 1 | O-Ring |
| 2 | 119-7134 | 1 | Kit-Seal |
| 2:1 | | 1 | O-Ring ● |
| 2:2 | | 2 | Seal-Extrusion, Anti ● |
| 2:3 | | 2 | Seal-Backup ● |
| 2:4 | | 1 | O-Ring ● |
| 2:5 | | 2 | Seal-Extrusion, Anti ● |
| 2:6 | | 2 | Seal-Backup ● |

● Not serviced separately



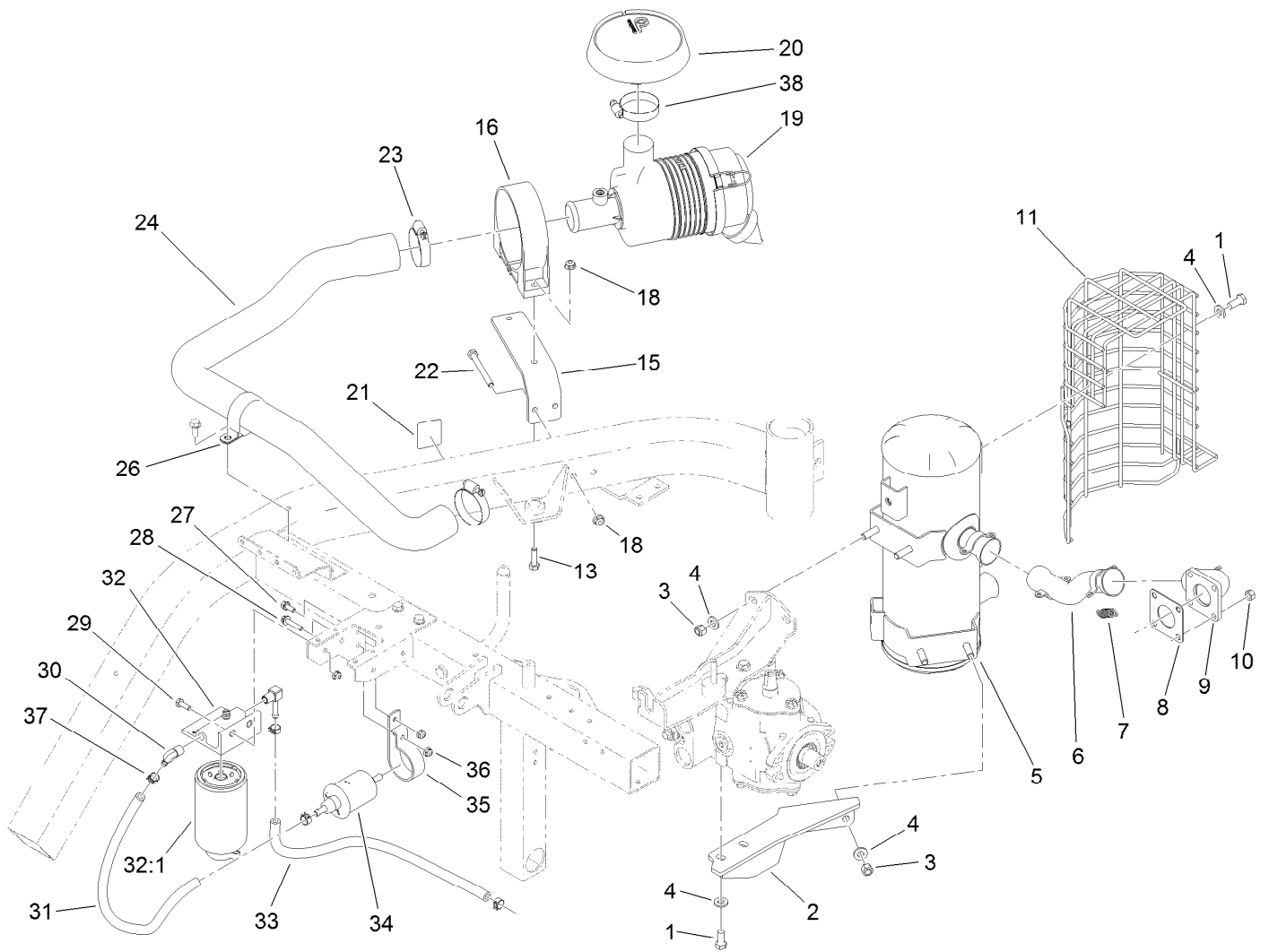
Neutral System Assembly

| Ref. | Part Number | Qty. | Description | Ref. | Part Number | Qty. | Description |
|------|-------------|------|----------------------|------|-------------|------|--------------------|
| 1 | 33023-00 | 1 | Nut-Lock | 19 | 93-8806 | 3 | Washer-Hardened |
| 2 | 94-8196 | 2 | Washer-Nylon | 20 | 100-4852 | 2 | Washer-Hardened |
| 3 | 33113-035 | 1 | Screw-HH | 21 | 94-8197 | 1 | Tube-Pivot |
| 4 | 76-8870 | 1 | Damper-Lever | 22 | 323-5 | 2 | Screw-HH |
| 5 | 94-1312 | 1 | Spacer-Pivot | 23 | 322-6 | 1 | Screw-HH |
| 6 | 94-3488-03 | 1 | Lever-Pump | 24 | 321-8 | 1 | Screw-HH |
| 7 | 88-7200 | 1 | Washer-Flat | 25 | 104-8300 | 3 | Nut-HF, NI |
| 8 | 3210-6 | 1 | Screw-HH | 26 | 2411-41 | 1 | Rod End-Ball Joint |
| 9 | 120-5263-03 | 1 | Mount-Muffler, Upper | 27 | 104-7201 | 1 | Nut-HF, NI |
| 10 | 94-9609 | 1 | Bushing-Straight | 28 | 99-4251 | 1 | Hose-Dampener |
| 11 | 94-4527 | 1 | Arm-Neutral | 29 | 33093-00 | 2 | Washer-Flat |
| 12 | 3-6498 | 1 | Washer-Thrust | 30 | 3296-59 | 3 | Nut-Lock, NI |
| 13 | 93-2111 | 1 | Stud-Traction | 32 | 117-9500 | 1 | Plate-Pivot |
| 14 | 3256-22 | 2 | Washer-Flat | 33 | 63-9750 | 3 | Mount |
| 15 | 75-5470 | 1 | Spacer-Bearing | 34 | 323-29 | 3 | Screw-HH |
| 16 | 251-259 | 1 | Bearing-Ball | 35 | 120-5318-03 | 1 | Support-Exhaust |
| 17 | 99-4254 | 1 | Spring-Extension | 36 | 3234-42 | 1 | Screw-HHF |
| 18 | 322-5 | 1 | Screw-HH | 37 | 104-8301 | 1 | Nut-HF, NI |



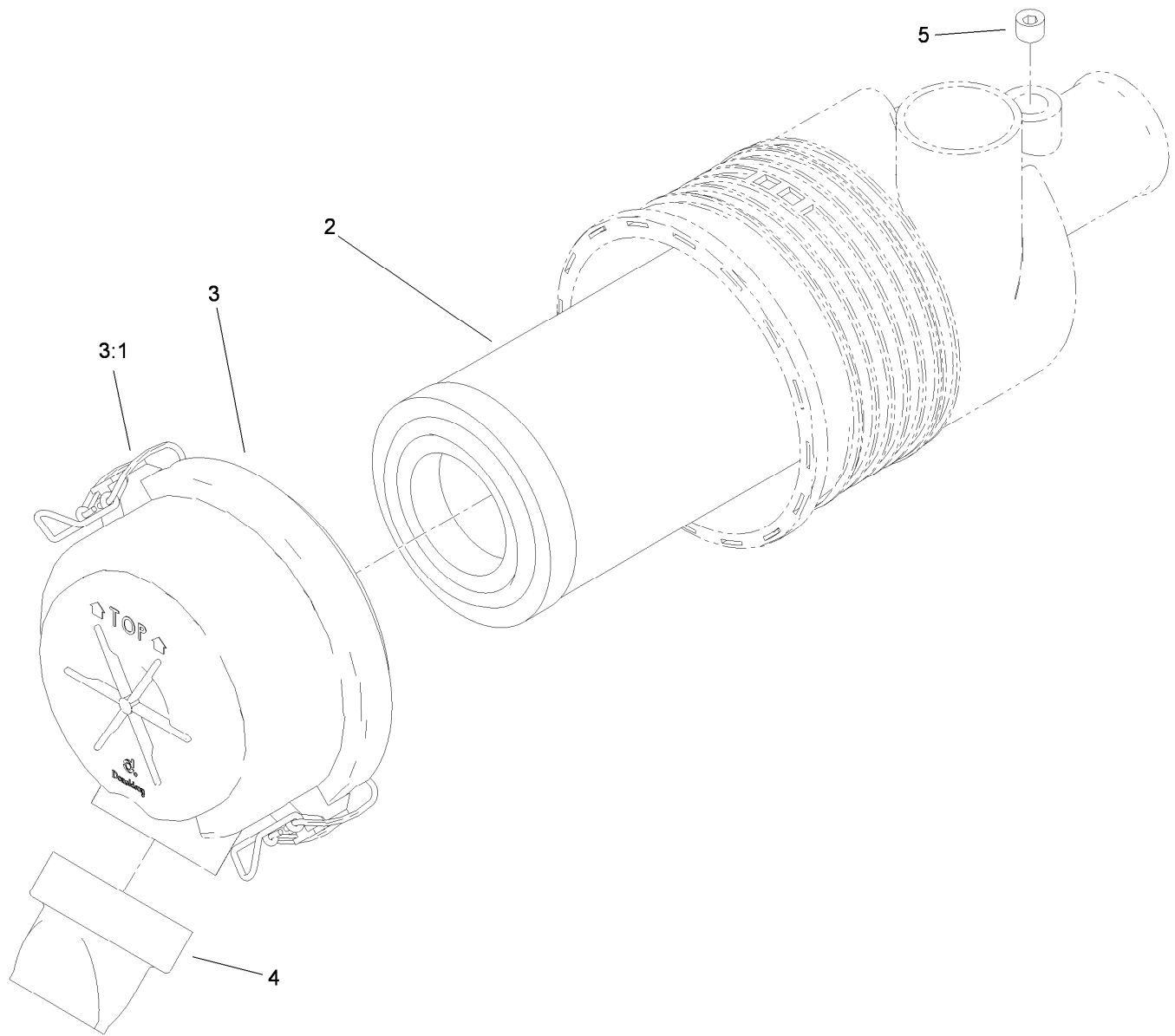
Engine Installation Assembly

| Ref. | Part Number | Qty. | Description | Ref. | Part Number | Qty. | Description |
|------|-------------|------|----------------------------|------|-------------|------|---------------------------|
| 1 | 127-9656 | 1 | Engine-Kubota, D902 | 19 | 119-4424-03 | 1 | Support-Engine |
| 2 | 115-8727 | 1 | Flange-Coupling | 20 | 33104-030 | 4 | Screw-HHF |
| 3 | 33104-020 | 9 | Screw-HHF | 21 | 108-5928 | 1 | Swivel-Stop, Cable |
| 4 | 119-4412 | 1 | Bellhousing | 22 | 99-5107 | 2 | Nut-Lock |
| 4:1 | 32121-123 | 1 | Pin-Roll | 24 | 120-5316 | 1 | Bracket-Support, Throttle |
| 5 | 93-2020-01 | 1 | Bracket-Support | 25 | 105-3748 | 1 | Gasket-Thermostat |
| 6 | 120-5313-03 | 1 | Mount-Engine | 26 | 119-4421 | 1 | Adaptor-Fan |
| 7 | 323-11 | 3 | Screw-HH | 27 | 120-5287 | 1 | Fan-35 DEG |
| 9 | 33003-00 | 1 | Nut-HF | 28 | 99-6810 | 4 | Screw-HHF |
| 10 | 121-9076 | 3 | Mount-Engine | 37 | 119-3532 | 1 | Blade (Discontinued) |
| 11 | 94-4538 | 3 | Spacer-Mount | 38 | 3253-4 | 2 | Washer-Lock |
| 12 | 100-6116 | 2 | Screw-HHF | 39 | 94-3559 | 2 | Screw-HSH |
| 13 | 104-8300 | 10 | Nut-HF, NI | 40 | 66-3240 | 1 | Cap-Radiator |
| 14 | 66-6480 | 3 | Washer | 41 | 106-5976 | 1 | Decal-Warning |
| 15 | 83-1040 | 3 | Washer-Flat | 42 | 120-6325 | 1 | Harness-Wire, Ground |
| 16 | 3290-357 | 3 | Nut-HSF | 43 | 3234-29 | 4 | Screw-HHF |
| 17 | 99-3441 | 1 | Harness-Wire, Fusible Link | 44 | 3234-47 | 6 | Screw-HHF |
| 18 | 63-7790 | 4 | Screw-Cap | | | | |



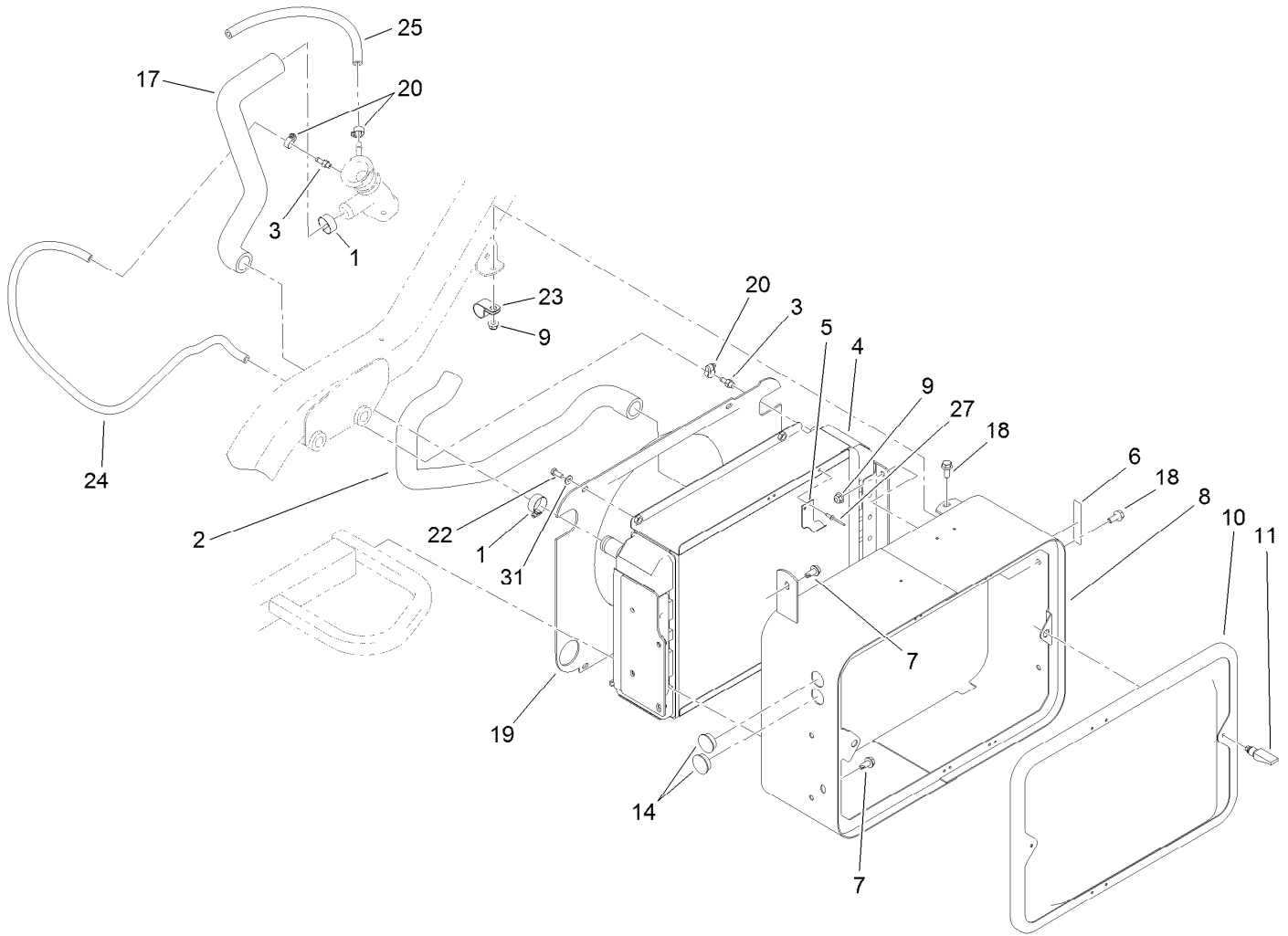
Air Cleaner, Fuel Filter and Exhaust Assembly

| Ref. | Part Number | Qty. | Description | Ref. | Part Number | Qty. | Description |
|------|-------------|------|-------------------------------|------|-------------|------|----------------------------|
| 1 | 323-5 | 6 | Screw-HH | 21 | 93-7275 | 1 | Decal-Fluid, Starting |
| 2 | 119-4474 | 1 | Bracket-Muffler | 22 | 322-20 | 2 | Screw-HH |
| 3 | 32152-2 | 4 | Nut-Lock, Cone | 23 | 2412-92 | 2 | Clamp-Hose |
| 4 | 100-4852 | 10 | Washer-Hardened | 24 | 119-3536 | 1 | Hose-Air Cleaner |
| 5 | 120-1950 | 1 | Muffler | 26 | 115-9469 | 1 | Clamp-R |
| 6 | 114-8013 | 1 | Pipe-Exhaust | 27 | 3234-33 | 1 | Screw-HHF |
| 7 | 104-6478 | 4 | Spring-Extension | 28 | 3234-21 | 1 | Screw-HHF |
| 8 | 99-8343 | 1 | Gasket-Muffler | 29 | 321-4 | 2 | Screw-HH |
| 9 | 114-8009 | 1 | Plate-Exhaust | 30 | 353-781 | 2 | Fitting-HYD, 90 |
| 10 | 33014-00 | 4 | Nut-Hex | 31 | 106-1126 | 1 | Hose-Fuel |
| 11 | 115-8718-03 | 1 | Shield-Muffler | 32 | 110-9044 | 1 | Separator-Filter |
| 13 | 322-16 | 2 | Screw-HH | 32:1 | 110-9049 | 1 | Filter-Spin On, Fuel/Water |
| 15 | 99-4203 | 1 | Bracket-Cleaner, Air | 33 | 114-4028 | 1 | Hose-Fuel |
| 16 | 95-5806 | 1 | Bracket-Mounting, Air Cleaner | 34 | 110-8806 | 1 | Pump-Fuel |
| 18 | 104-8300 | 4 | Nut-HF, NI | 35 | 110-8817 | 1 | Bracket-Pump, Fuel |
| 19 | 95-5805 | 1 | Air Cleaner ASM | 36 | 104-7201 | 4 | Nut-HF, NI |
| 20 | 120-4848 | 1 | Hood-Inlet, Air | 37 | 92-2379 | 4 | Clamp-Hose |
| | | | | 38 | 2412-92 | 1 | Clamp-Hose |



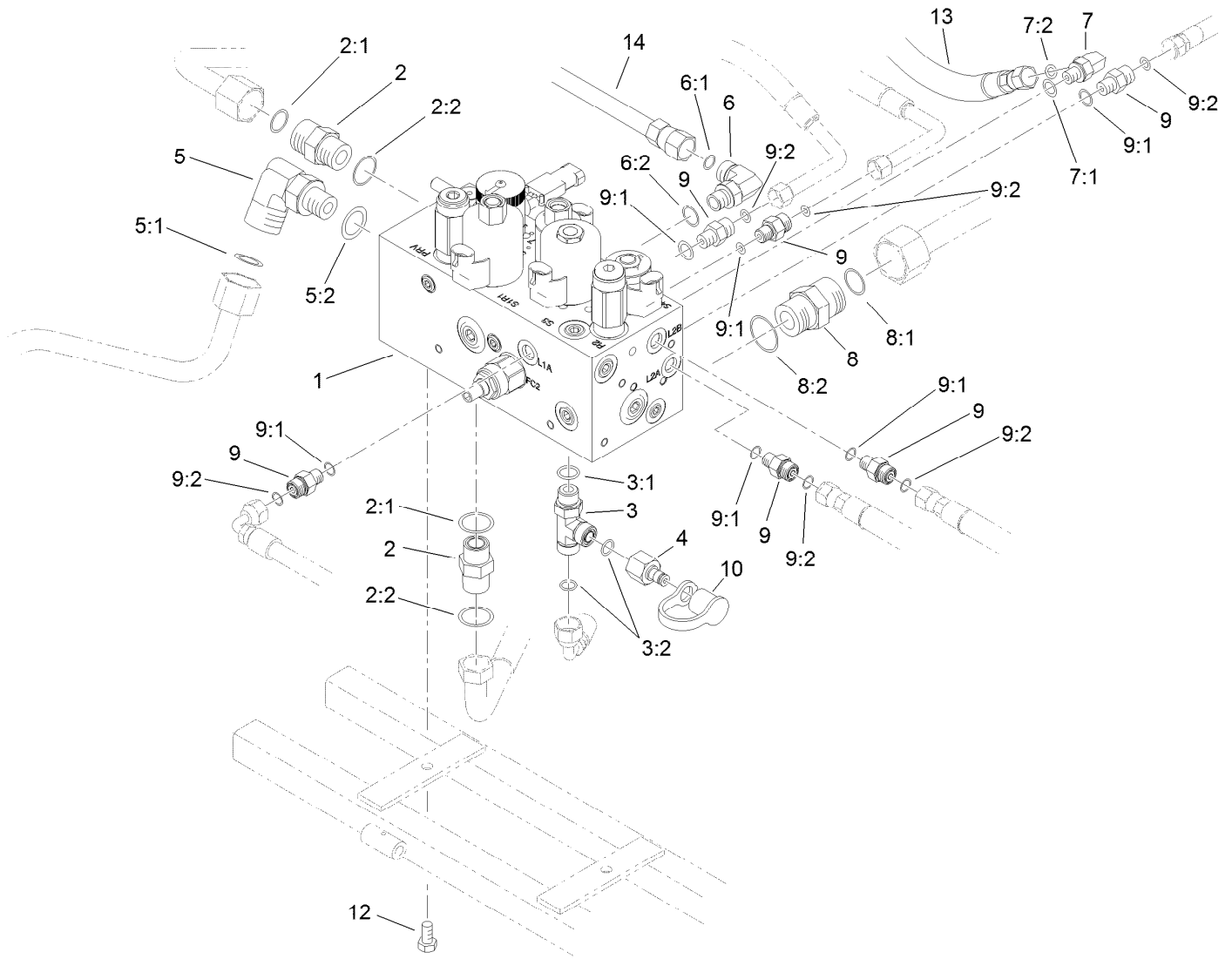
Air Cleaner Assembly No. 95-5805

| <i>Ref.</i> | <i>Part Number</i> | <i>Qty.</i> | <i>Description</i> |
|-------------|--------------------|-------------|--------------------|
| 2 | 108-3811 | 1 | Filter-Air |
| 3 | 94-3652 | 1 | Cover ASM |
| 3:1 | 1-643283 | 2 | Latch-Cleaner, Air |
| 4 | 87-9400 | 1 | Valve-Vacuator |
| 5 | 285-17 | 1 | Plug-Pipe |



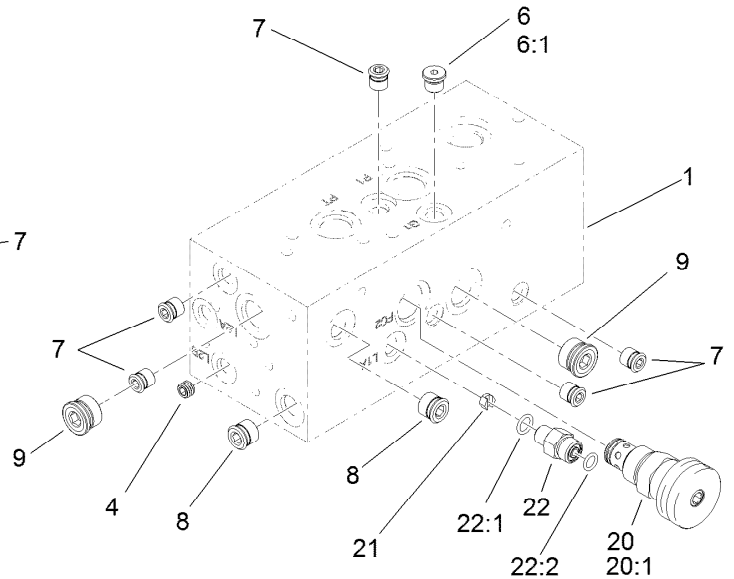
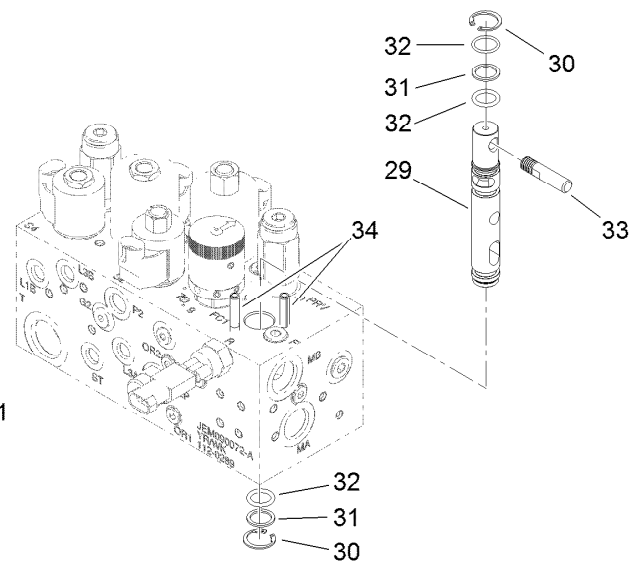
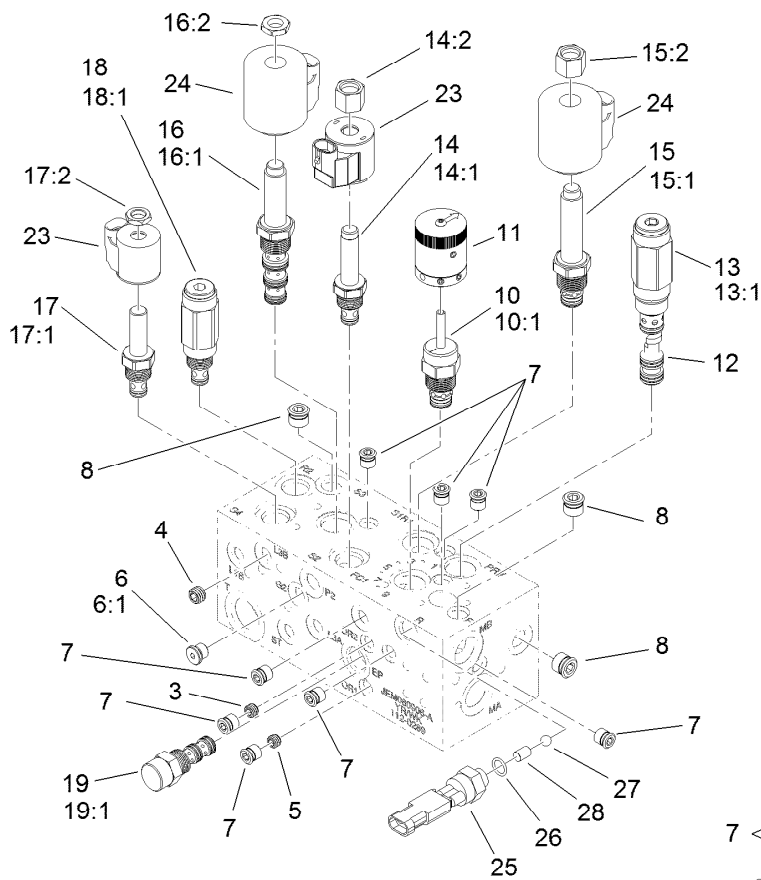
Radiator Assembly

| <i>Ref.</i> | <i>Part Number</i> | <i>Qty.</i> | <i>Description</i> | <i>Ref.</i> | <i>Part Number</i> | <i>Qty.</i> | <i>Description</i> |
|-------------|--------------------|-------------|-----------------------|-------------|--------------------|-------------|----------------------|
| 1 | 2412-34 | 4 | Clamp-Hose | 14 | 94-4528 | 2 | Plug |
| 2 | 119-3554 | 1 | Hose-Radiator, Lower | 17 | 119-3556 | 1 | Hose-Radiator, Upper |
| 3 | 304-73 | 2 | Fitting-Straight | 18 | 3234-47 | 5 | Screw-HHF |
| 4 | 119-3555 | 1 | Radiator | 19 | 119-3571 | 1 | Shroud-Fan |
| 5 | 104-7736 | 1 | Bracket-Cooler, Upper | 20 | 2412-108 | 3 | Clamp-Worm |
| 6 | 93-6681 | 1 | Decal-Warning, Fan | 22 | 33113-016 | 4 | Screw-HH |
| 7 | 32104-32 | 2 | Screw-HWH | 23 | 2412-41 | 1 | Clamp-R |
| 8 | 106-9056-01 | 1 | Support-Radiator | 24 | 109-0286 | 1 | Hose-Fuel |
| 9 | 104-8300 | 5 | Nut-HF, NI | 25 | 110-4101 | 1 | Hose-Fuel |
| 10 | 100-3172-03 | 1 | Screen ASM | 27 | 130-6520 | 2 | Rivet-Pop |
| 11 | 74-5950 | 2 | Latch-Swell | 31 | 3256-22 | 4 | Washer-Flat |



Manifold Block Installation Assembly

| Ref. | Part Number | Qty. | Description | Ref. | Part Number | Qty. | Description |
|------|-------------|------|------------------------|------|-------------|------|-----------------------|
| 1 | 112-9197 | 1 | Manifold ASM W/Backlap | 7 | 340-97 | 1 | Fitting-Elbow, 90 DEG |
| 2 | 340-7 | 2 | Fitting-Straight | 7:1 | 237-22 | 1 | O-Ring |
| 2:1 | 237-65 | 1 | O-Ring | 7:2 | 237-78 | 1 | O-Ring |
| 2:2 | 237-80 | 1 | O-Ring | 8 | 340-9 | 1 | Fitting-STR |
| 3 | 340-109 | 1 | Fitting-Tee | 8:1 | 237-58 | 1 | O-Ring |
| 3:1 | 237-79 | 1 | O-Ring | 8:2 | 237-81 | 1 | O-Ring |
| 3:2 | 237-30 | 2 | O-Ring | 9 | 340-92 | 5 | Fitting-Straight |
| 4 | 100-5616 | 1 | Fitting | 9:1 | 237-78 | 1 | O-Ring |
| 5 | 340-17 | 1 | Fitting-Elbow, 90 DEG | 9:2 | 237-21 | 1 | O-Ring |
| 5:1 | 237-65 | 1 | O-Ring | 10 | 354-79 | 1 | Cap-Dust |
| 5:2 | 237-80 | 1 | O-Ring | 12 | 33114-016 | 2 | Screw-HH |
| 6 | 340-77 | 1 | Fitting-Elbow, 90 DEG | 13 | 95-8842 | 1 | Hose-HYD |
| 6:1 | 237-22 | 1 | O-Ring | 14 | 105-9790 | 1 | Hose ASM |
| 6:2 | 237-42 | 1 | O-Ring | | | | |

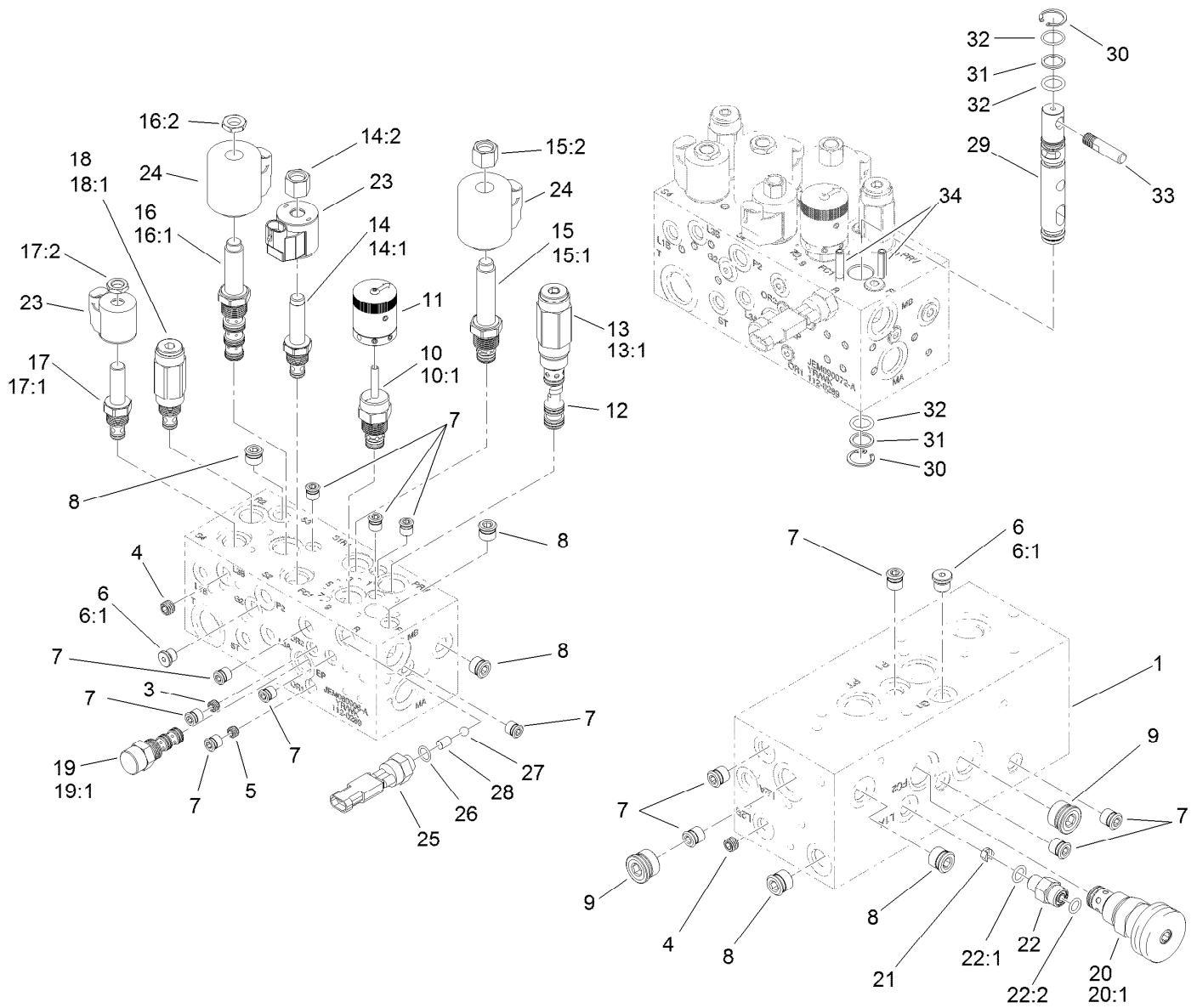


Hydraulic Manifold Assembly No. 112-9197

| Ref. | Part Number | Qty. | Description |
|------|-------------|------|------------------------------|
| 1 | | 1 | Body-Manifold ● |
| 3 | 112-9202 | 1 | Orifice-Flow, Control (.060) |
| 4 | 110-8887 | 2 | Plug-Orifice (0.055) |
| 5 | 112-9203 | 1 | Orifice-Control, Flow (.013) |
| 6 | 353-990 | 2 | Plug ASM |
| 6:1 | 237-78 | 1 | O-Ring |
| 7 | 106-1025 | 13 | Plug-HYD |
| 8 | 106-1026 | 5 | Plug-HYD |
| 9 | 106-1027 | 2 | Plug |
| 10 | 110-8769 | 1 | Valve-Control, Manual Flow |
| 10:1 | 110-2633 | 1 | Seal Kit |
| 11 | 110-8767 | 1 | Rotary Handle ASM |
| 12 | 119-3506 | 1 | Piston-Pilot |
| 13 | 112-9205 | 1 | Valve-Relief |
| 13:1 | 105-9159 | 1 | Seal Kit |
| 14 | 107-7517 | 1 | Valve-Solenoid |
| 14:1 | 105-9156 | 1 | Seal Kit |
| 14:2 | 107-7812 | 1 | Nut-Solenoid |

| Ref. | Part Number | Qty. | Description |
|------|-------------|------|-----------------------------------|
| 15 | 110-8768 | 1 | Valve-Relief, Solenoid (3000 PSI) |
| 15:1 | 110-6316 | 1 | Seal Kit |
| 15:2 | 130-8180 | 1 | Nut-Coil (9/16-24 Unef-2B) |
| 16 | 110-8906 | 1 | Valve-Solenoid |
| 16:1 | 110-8908 | 1 | Spool Valve Seal Kit |
| 16:2 | 110-2634 | 1 | Nut-Coil |
| 17 | 112-9206 | 1 | Solenoid Valve ASM |
| 17:1 | 105-9156 | 1 | Seal Kit |
| 17:2 | 110-2634 | 1 | Nut-Coil |
| 18 | 133-8873 | 1 | Valve-Relief |
| 18:1 | 105-9156 | 1 | Seal Kit |
| 19 | 110-8988 | 1 | Element-Logic |
| 19:1 | 110-8773 | 1 | Seal Kit |
| 20 | 119-4136 | 1 | Control-Flow |
| 20:1 | 110-2633 | 1 | Seal Kit |
| 21 | 110-8903 | 1 | Orifice-Control, Flow (0.055) |
| 22 | 340-92 | 1 | Fitting-Straight |

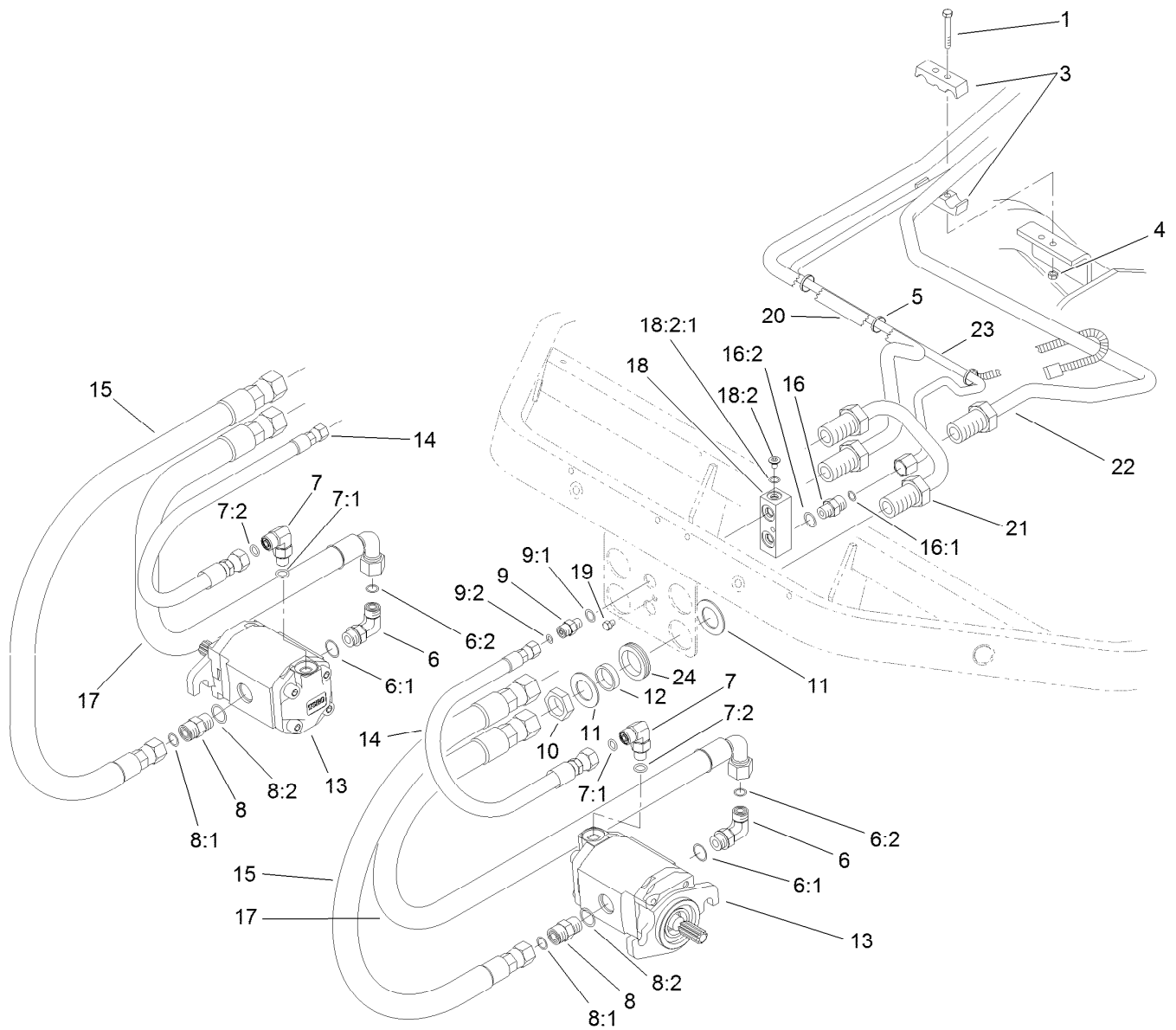
● Not serviced separately



Hydraulic Manifold Assembly No. 112-9197 (continued)

| Ref. | Part Number | Qty. | Description | Ref. | Part Number | Qty. | Description |
|------|-------------|------|-------------|------|-------------|------|----------------|
| 22:1 | 237-78 | 1 | O-Ring | 28 | 112-6533 | 1 | Pin-Dowel |
| 22:2 | 237-21 | 1 | O-Ring | 29 | 112-6536 | 1 | Spool |
| 23 | 105-9333 | 2 | Coil-12Vdc | 30 | 112-6532 | 2 | Ring-Retaining |
| 24 | 110-2630 | 2 | Coil-12Vdc | 31 | 112-6534 | 2 | Ring-Back Up |
| 25 | 72-4320 | 1 | Switch-Ball | 32 | 117-4606 | 3 | O-Ring |
| 26 | 110-8757 | 1 | O-Ring | 33 | 110-8758 | 1 | Handle-Spool |
| 27 | 110-8762 | 1 | Ball-Chrome | 34 | 112-6531 | 2 | Pin-Spring |

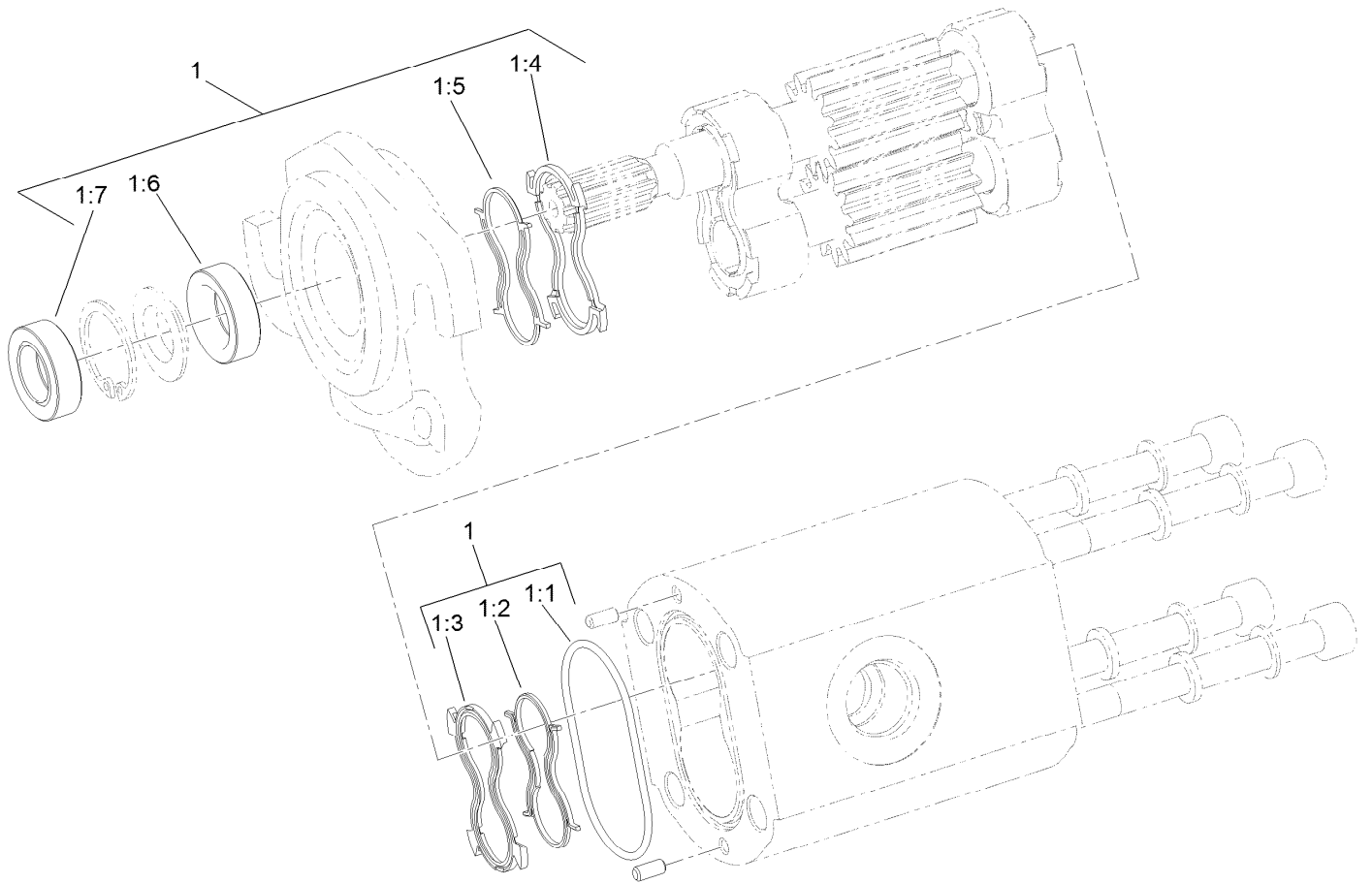
● Not serviced separately



Front Bulkhead and Reel Motor Assembly

| Ref. | Part Number | Qty. | Description | Ref. | Part Number | Qty. | Description |
|------|-------------|------|-----------------------|--------|-------------|------|------------------|
| 1 | 321-44 | 2 | Screw-HHF | 13 | 120-2072 | 2 | HYD Motor ASM |
| 3 | 93-2509 | 2 | Clamp-Tube | 14 | 106-9674 | 2 | Hose-HYD |
| 4 | 104-7201 | 2 | Nut-HF, NI | 15 | 95-2908 | 2 | Hose-HYD |
| 5 | 3290-378 | 3 | Tie-Cable | 16 | 340-2 | 1 | Fitting-Straight |
| 6 | 340-98 | 2 | Fitting-Elbow, 90 DEG | 16:1 | 237-22 | 1 | O-Ring |
| 6:1 | 237-79 | 1 | O-Ring | 16:2 | 237-42 | 1 | O-Ring |
| 6:2 | 237-30 | 1 | O-Ring | 17 | 95-2909 | 2 | Hose-HYD |
| 7 | 340-132 | 2 | Fitting-Elbow, 90 DEG | 18 | 93-2238 | 1 | T-Block |
| 7:1 | 237-78 | 1 | O-Ring | 18:2 | 353-991 | 1 | Plug-Hex, Hollow |
| 7:2 | 237-21 | 1 | O-Ring | 18:2:1 | 237-156 | 1 | O-Ring |
| 8 | 340-4 | 2 | Fitting-Straight | 19 | 33113-008 | 1 | Screw-HH |
| 8:1 | 237-30 | 1 | O-Ring | 20 | 94-1318 | 1 | Tube-HYD |
| 8:2 | 237-79 | 1 | O-Ring | 21 | 94-1319 | 1 | Tube-HYD |
| 9 | 340-92 | 2 | Fitting-Straight | 22 | 94-1320 | 1 | Tube-HYD |
| 9:1 | 237-78 | 1 | O-Ring | 22:1 | 237-65 | 1 | O-Ring ● |
| 9:2 | 237-21 | 1 | O-Ring | 23 | 94-1321 | 1 | Tube-HYD |
| 10 | 340-74 | 2 | Nut-Lock, Bulkhead | 23:1 | 237-22 | 2 | O-Ring ● |
| 11 | 69-9010 | 4 | Washer | 24 | 240-3 | 2 | Grommet-Rubber |
| 12 | 125-1984 | 2 | Spacer | | | | |

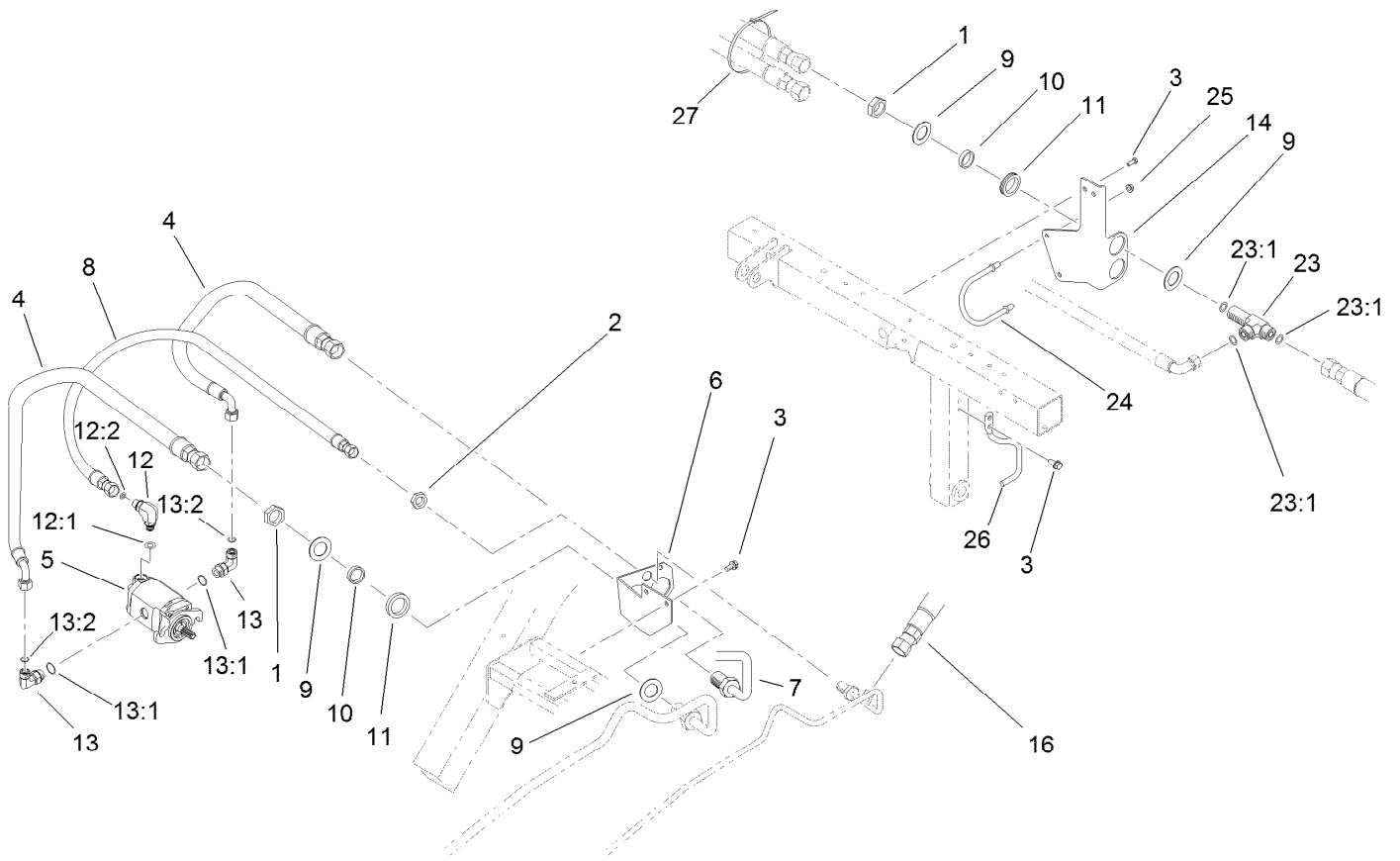
● Not illustrated



Hydraulic Reel Motor Assembly No. 120-2072

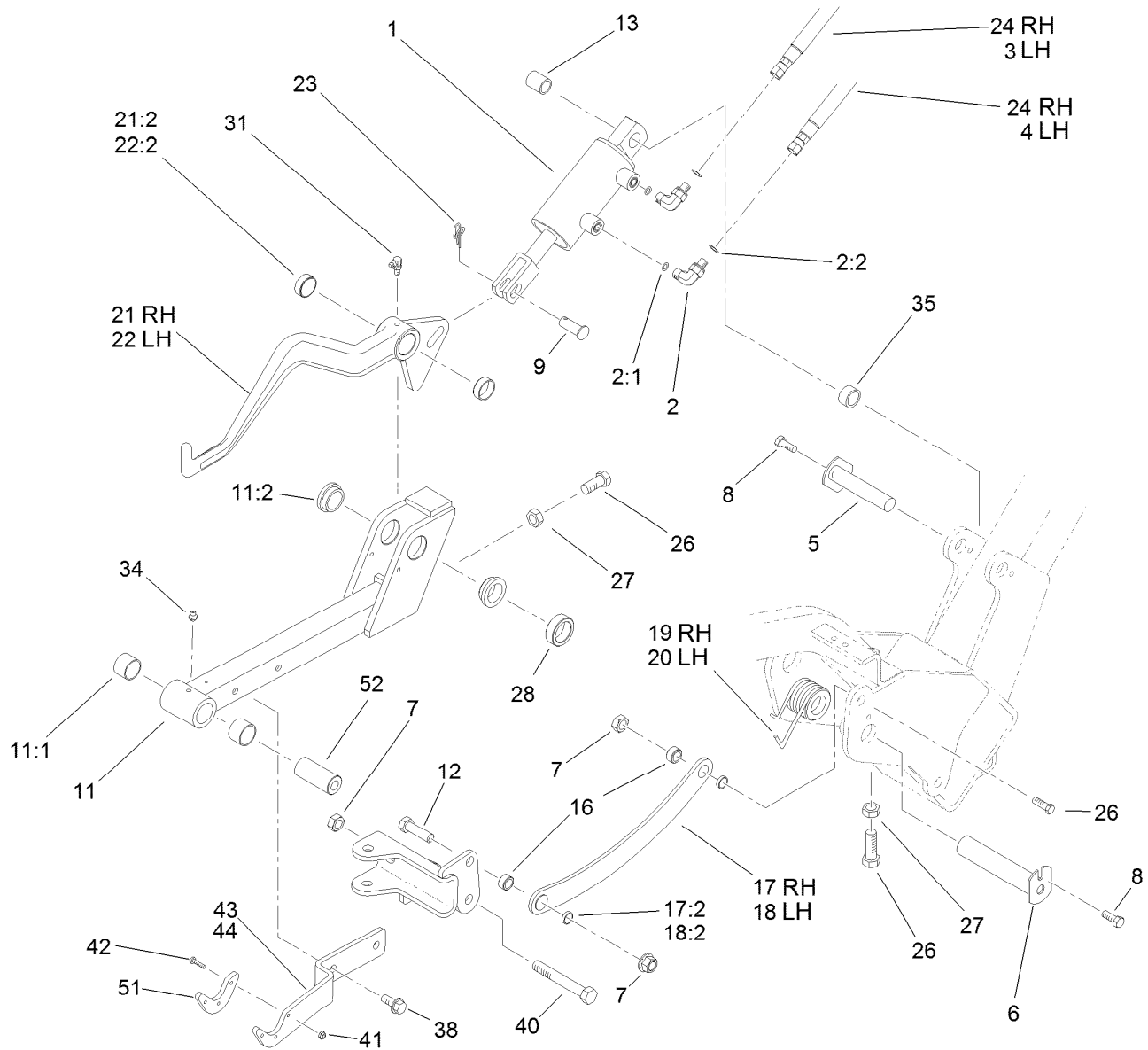
| <i>Ref.</i> | <i>Part Number</i> | <i>Qty.</i> | <i>Description</i> |
|-------------|--------------------|-------------|-------------------------|
| 1 | 119-7113 | 1 | Seal Kit |
| 1:1 | | 1 | O-Ring Housing ● |
| 1:2 | | 1 | Seal-Anti Extrusion ● |
| 1:3 | | 1 | Seal-Plate, Balancing ● |
| 1:4 | | 1 | Seal-Plate, Balancing ● |
| 1:5 | | 1 | Seal-Anti Extrusion ● |
| 1:6 | | 1 | Seal-Shaft (Inboard) ● |
| 1:7 | | 1 | Seal-Shaft (Outboard) ● |

● Not serviced separately



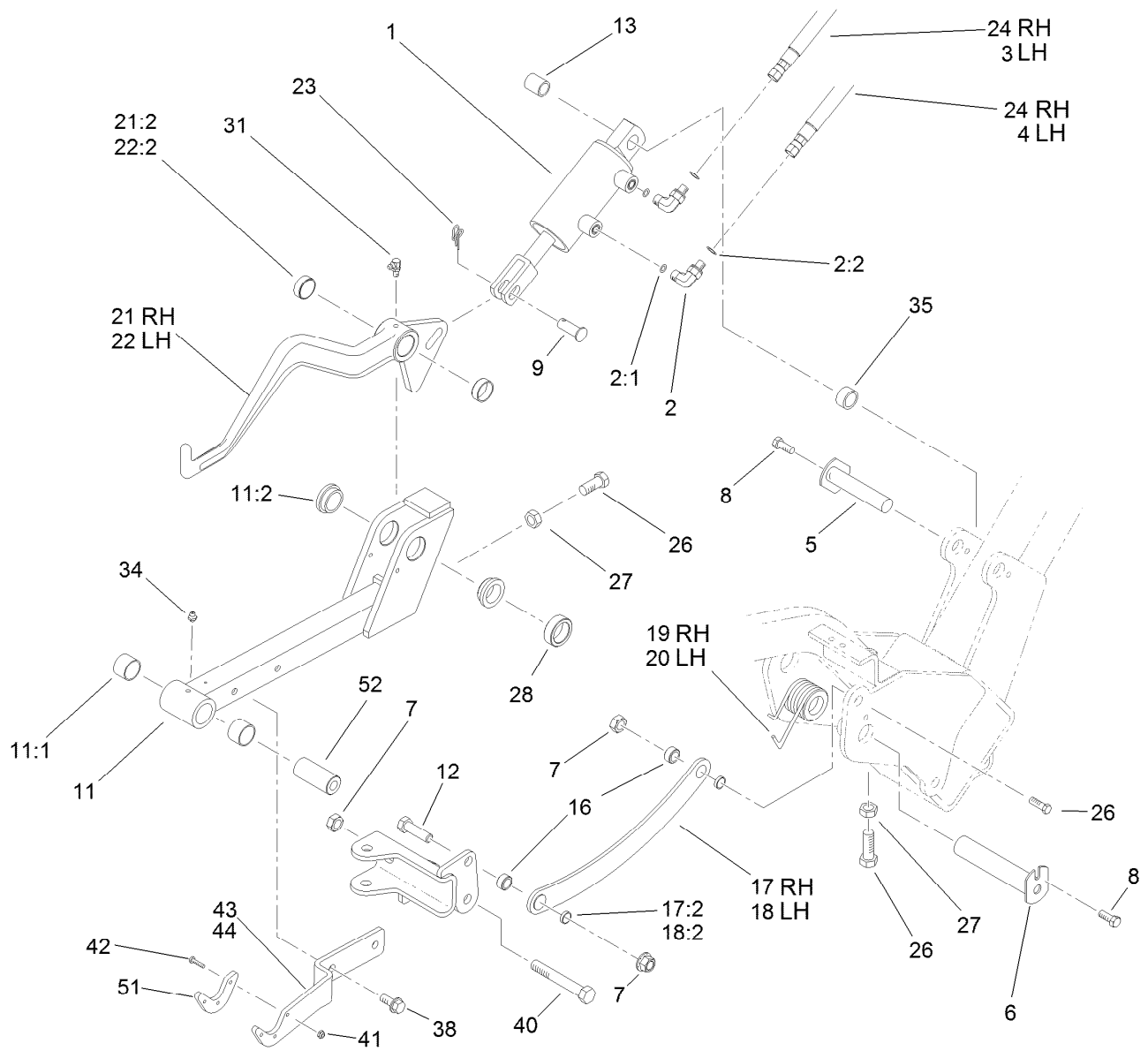
Rear Bulkhead and Reel Motor Assembly

| <i>Ref.</i> | <i>Part Number</i> | <i>Qty.</i> | <i>Description</i> | <i>Ref.</i> | <i>Part Number</i> | <i>Qty.</i> | <i>Description</i> |
|-------------|--------------------|-------------|-----------------------|-------------|--------------------|-------------|-----------------------|
| 1 | 340-74 | 4 | Nut-Lock, Bulkhead | 12:2 | 237-21 | 1 | O-Ring |
| 2 | 340-70 | 1 | Nut-Lock | 13 | 340-98 | 2 | Fitting-Elbow, 90 DEG |
| 3 | 32104-32 | 6 | Screw-HWH | 13:1 | 237-79 | 1 | O-Ring |
| 4 | 95-2907 | 2 | Hose ASM | 13:2 | 237-30 | 1 | O-Ring |
| 5 | 120-2072 | 1 | HYD Motor ASM | 14 | 99-4222-03 | 1 | Bracket-Hose |
| 6 | 94-1316 | 1 | Bracket-Bulkhead | 16 | 110-4008 | 1 | HYD Hose ASM |
| 7 | 94-1317 | 1 | Tube-HYD | 23 | 94-5350 | 2 | Fitting-Tee |
| 8 | 105-5405 | 1 | Hose-HYD | 23:1 | 237-65 | 3 | O-Ring |
| 9 | 69-9010 | 8 | Washer | 24 | 131-8776 | 1 | Retainer-Hose |
| 10 | 125-1984 | 4 | Spacer | 25 | 104-8300 | 2 | Nut-HF, NI |
| 11 | 240-3 | 4 | Grommet-Rubber | 26 | 130-6527 | 1 | Retainer-Hose |
| 12 | 340-132 | 1 | Fitting-Elbow, 90 DEG | 27 | 3290-378 | 1 | Tie-Cable |
| 12:1 | 237-78 | 1 | O-Ring | | | | |



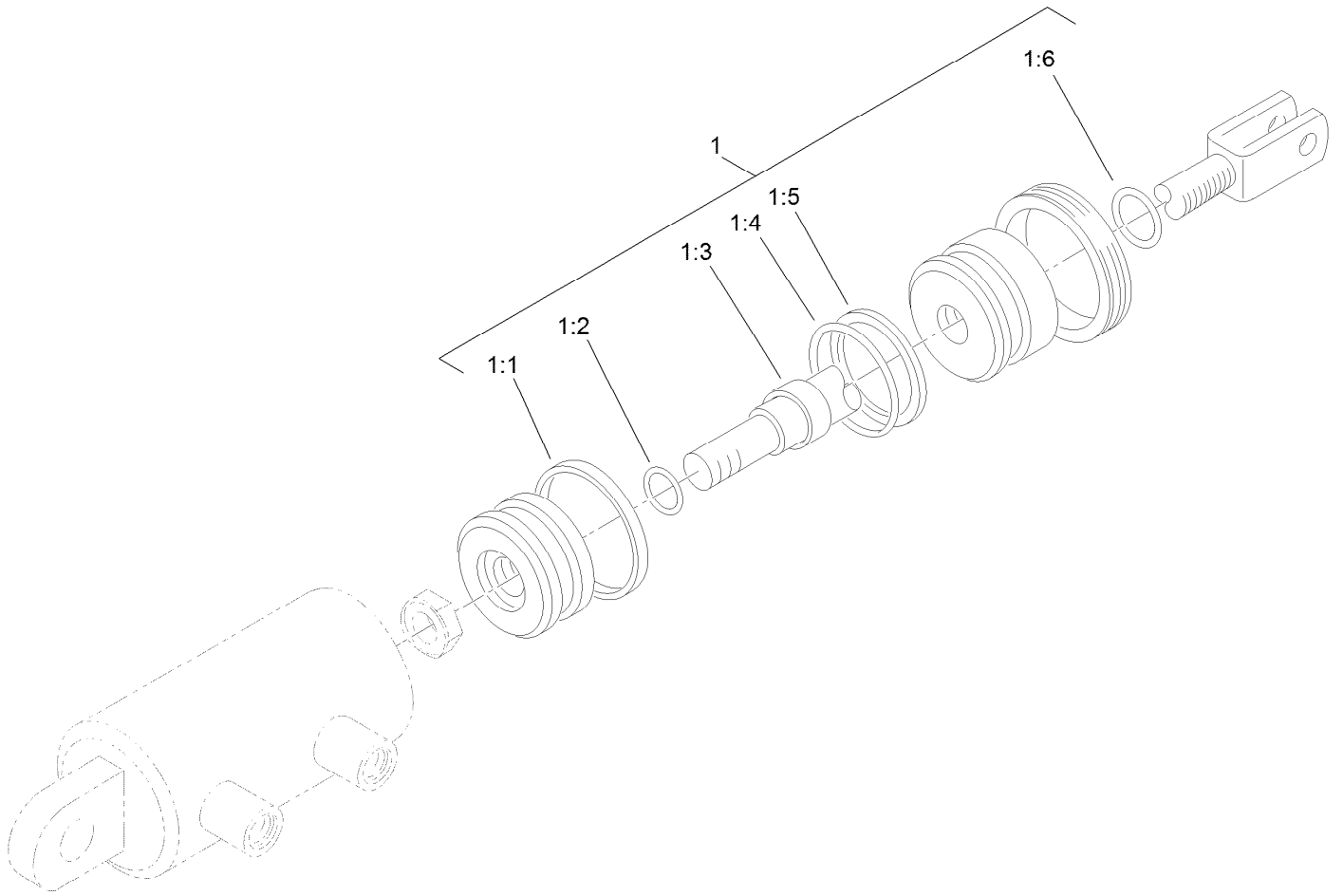
Left Hand and Right Hand Lift Arm Assembly

| Ref. | Part Number | Qty. | Description | Ref. | Part Number | Qty. | Description |
|------|-------------|------|-----------------------|------|-------------|------|--------------------------|
| 1 | 105-3821 | 2 | HYD Cylinder ASM | 19 | 105-3809 | 1 | Spring-Torsion, RH |
| 2 | 340-132 | 4 | Fitting-Elbow, 90 DEG | 20 | 105-3818 | 1 | Spring-Torsion, LH |
| 2:1 | 237-78 | 1 | O-Ring | 21 | 99-4213 | 1 | RH Lift Arm ASM |
| 2:2 | 237-21 | 1 | O-Ring | 21:2 | 92-8995 | 2 | Bushing |
| 3 | 131-2004 | 1 | Hose ASM | 22 | 99-4212 | 1 | LH Lift Arm ASM |
| 4 | 131-2005 | 1 | Hose ASM | 22:2 | 92-8995 | 2 | Bushing |
| 5 | 120-3199 | 2 | Pin-Pivot | 23 | 112-1491 | 2 | Pin-Cotter |
| 6 | 94-8198 | 2 | Pin | 24 | 131-2006 | 2 | Hose ASM |
| 7 | 99-5107 | 6 | Nut-Lock | 26 | 325-7 | 4 | Screw-HH |
| 8 | 32104-32 | 4 | Screw-HWH | 27 | 3218-5 | 3 | Nut-Jam |
| 9 | 283-8 | 2 | Pin-Clevis | 28 | 93-2384 | 2 | Spacer-Carrier |
| 11 | 99-4115 | 2 | Front Lift Frame ASM | 31 | 302-60 | 2 | Fitting-Grease |
| 11:1 | 98-4166 | 2 | Bushing | 34 | 302-5 | 2 | Fitting-Grease |
| 11:2 | 94-9610 | 2 | Bushing-Flange | 35 | 74-3730 | 2 | Spacer-Spindle, Rear |
| 12 | 325-6 | 4 | Screw-HH | 38 | 32144-69 | 4 | Screw-HHWHTF |
| 13 | 105-3838 | 2 | Spacer | 40 | 325-14 | 2 | Screw-HH |
| 16 | 99-4201 | 4 | Tube-Spacer | 41 | 3296-54 | 6 | Nut-Lock |
| 17 | 99-4258 | 1 | RH Link Bracket ASM | 42 | 3250-17 | 6 | Screw-PPH |
| 17:2 | 99-4243 | 2 | Bushing-Flange | 43 | 99-4111-01 | 1 | Plate-Transport, 1 And 3 |
| 18 | 99-4260 | 1 | LH Link Bracket ASM | 44 | 99-4112-01 | 1 | Plate-Transport, #2 |
| 18:2 | 99-4243 | 2 | Bushing-Flange | | | | |



Left Hand and Right Hand Lift Arm Assembly (continued)

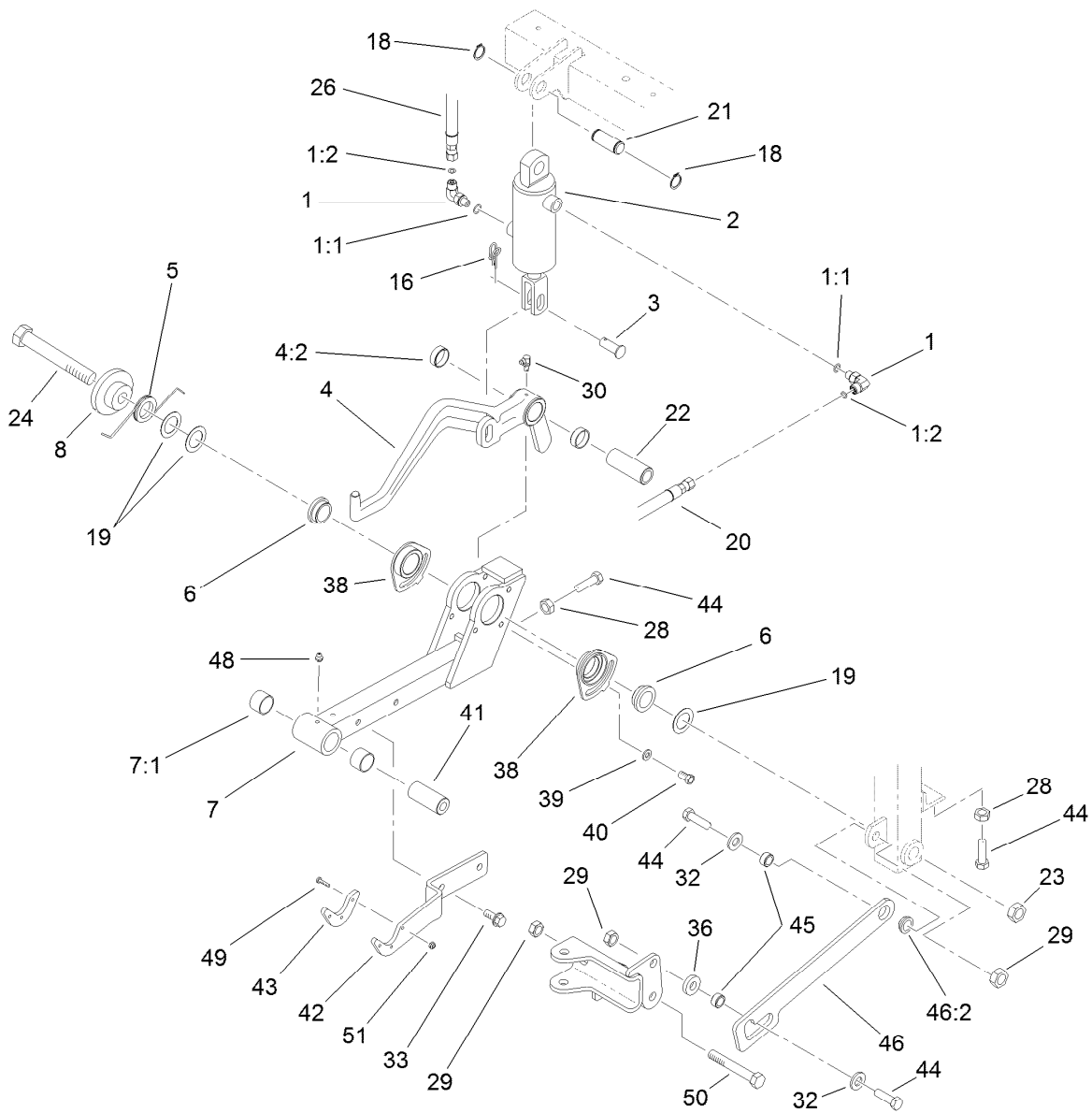
| <i>Ref.</i> | <i>Part Number</i> | <i>Qty.</i> | <i>Description</i> |
|-------------|--------------------|-------------|--------------------|
| 51 | 99-4225 | 2 | Pad-Wear |
| 52 | 99-4072 | 2 | Spacer |



Hydraulic Cylinder Assembly No. 105-3821

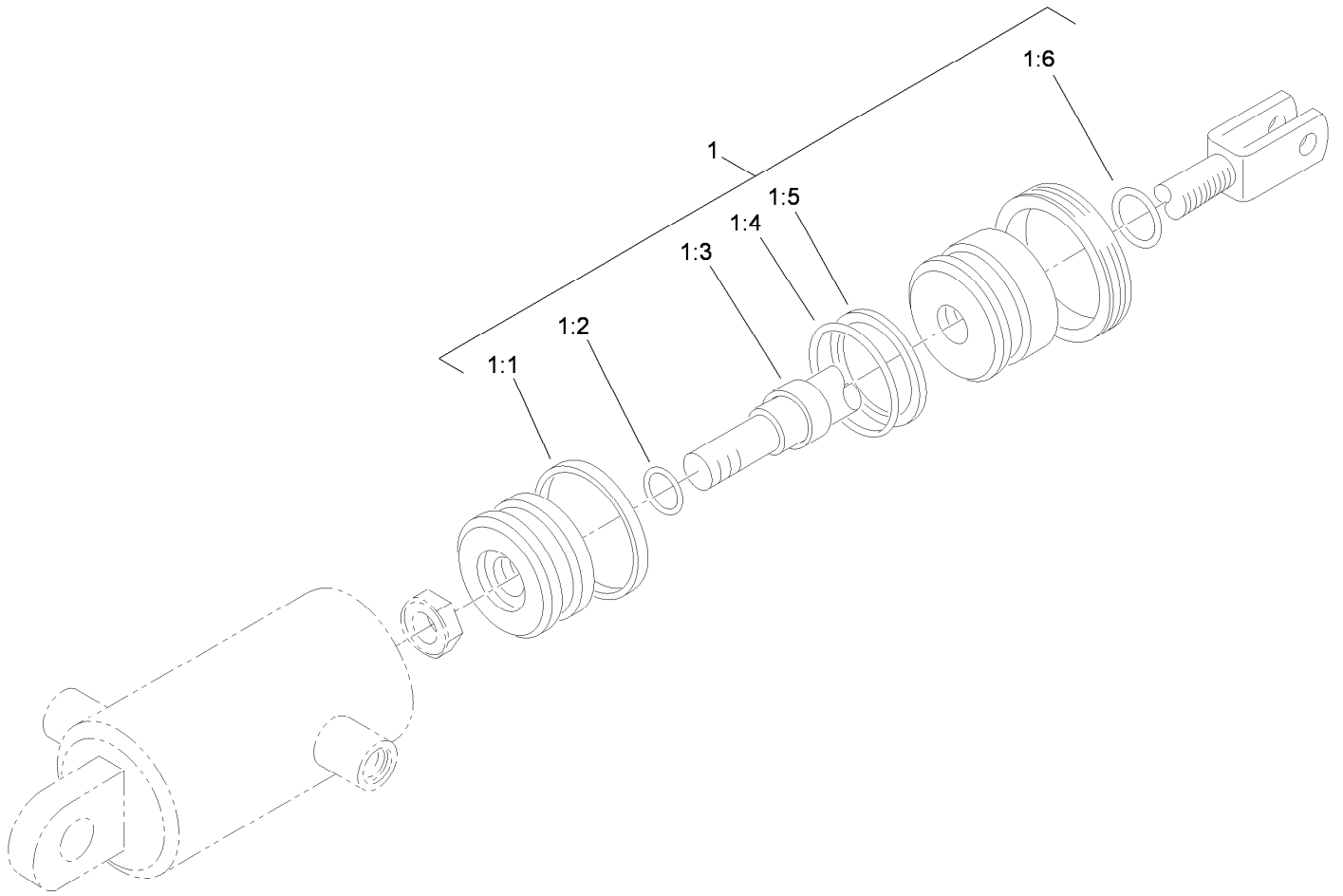
| <i>Ref.</i> | <i>Part Number</i> | <i>Qty.</i> | <i>Description</i> |
|-------------|--------------------|-------------|--------------------|
| 1 | 105-3836 | 1 | Seal Kit |
| 1:1 | | 1 | T-Seal ● |
| 1:2 | | 1 | O-Ring ● |
| 1:3 | | 1 | Seal-Rod ● |
| 1:4 | | 1 | O-Ring ● |
| 1:5 | | 1 | Backup ● |
| 1:6 | | 1 | Seal-Dust ● |

● Not serviced separately



Center Lift Arm Assembly

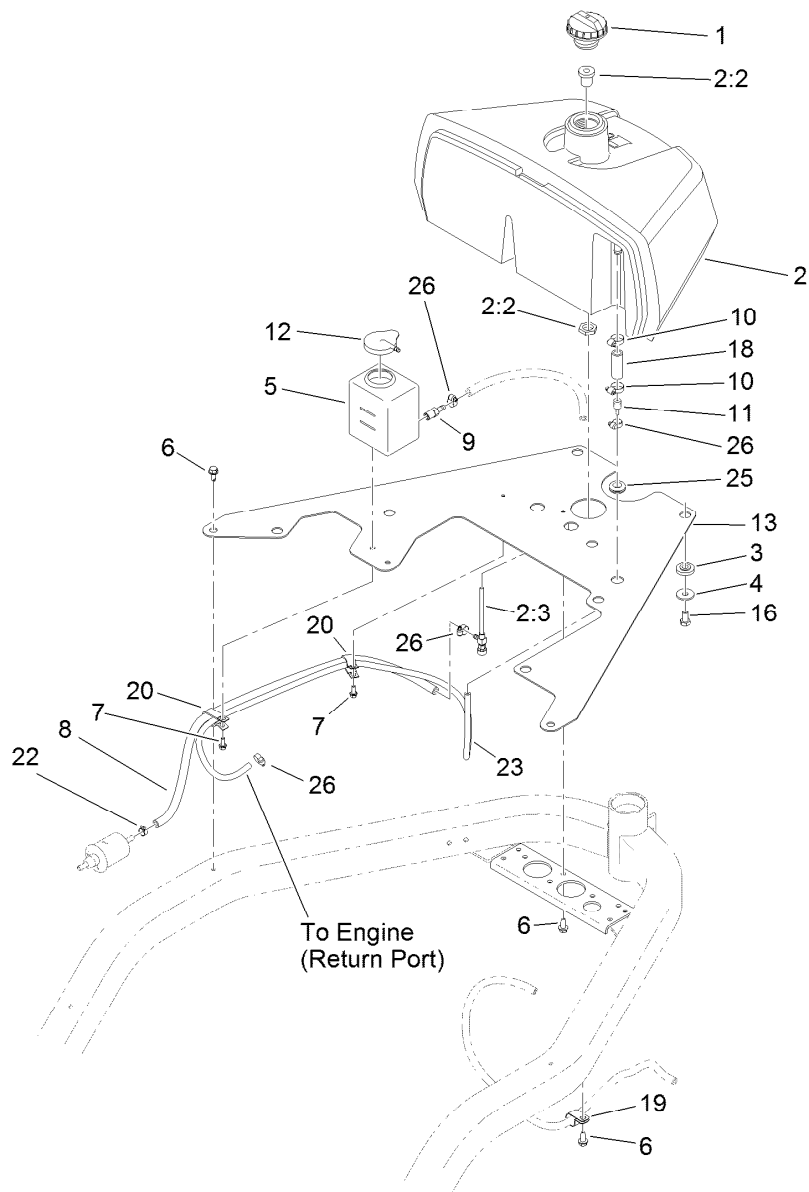
| Ref. | Part Number | Qty. | Description | Ref. | Part Number | Qty. | Description |
|------|-------------|------|-----------------------|------|-------------|------|-----------------------------|
| 1 | 340-132 | 2 | Fitting-Elbow, 90 DEG | 28 | 3218-5 | 2 | Nut-Jam |
| 1:1 | 237-78 | 1 | O-Ring | 29 | 99-5107 | 3 | Nut-Lock |
| 1:2 | 237-21 | 1 | O-Ring | 30 | 302-60 | 1 | Fitting-Grease |
| 2 | 105-3820 | 1 | HYD Cylinder ASM | 32 | 3256-26 | 2 | Washer-Flat |
| 3 | 283-8 | 1 | Pin-Clevis | 33 | 32144-69 | 2 | Screw-HWHTF |
| 4 | 99-4126 | 1 | Center Lift Arm ASM | 36 | 99-4248 | 1 | Spacer |
| 4:2 | 92-8995 | 2 | Bushing | 38 | 125-5222 | 2 | Bushing-Eccentric, Machined |
| 5 | 105-9781 | 1 | Spring-Torsion | 39 | 3256-74 | 2 | Washer-Flat |
| 6 | 98-2197 | 2 | Bushing-Flange | 40 | 33114-016 | 2 | Screw-HH |
| 7 | 99-4116 | 1 | Rear Lift Frame ASM | 41 | 99-4072 | 1 | Spacer |
| 7:1 | 98-4166 | 2 | Bushing | 42 | 99-4111-01 | 1 | Plate-Transport, 1 And 3 |
| 8 | 105-9779 | 1 | Guide-Spring | 43 | 99-4225 | 1 | Pad-Wear |
| 16 | 112-1491 | 1 | Pin-Cotter | 44 | 325-7 | 4 | Screw-HH |
| 18 | 32120-72 | 2 | Ring-Snap | 45 | 99-4201 | 2 | Tube-Spacer |
| 19 | 63-2290 | 3 | Washer-Thrust | 46 | 99-4246 | 1 | Link Bracket ASM |
| 20 | 112-9185 | 1 | Hose ASM | 46:2 | 99-4243 | 1 | Bushing-Flange |
| 21 | 94-3452 | 1 | Pin | 48 | 302-5 | 1 | Fitting-Grease |
| 22 | 94-8199 | 1 | Tube-Pivot | 49 | 3250-17 | 3 | Screw-PPH |
| 23 | 3296-53 | 1 | Nut-Lock, NI | 50 | 325-14 | 1 | Screw-HH |
| 24 | 327-25 | 1 | Screw-HH | 51 | 3296-54 | 3 | Nut-Lock |
| 26 | 106-7981 | 1 | Hose-HYD | | | | |



Hydraulic Cylinder Assembly No. 105-3820

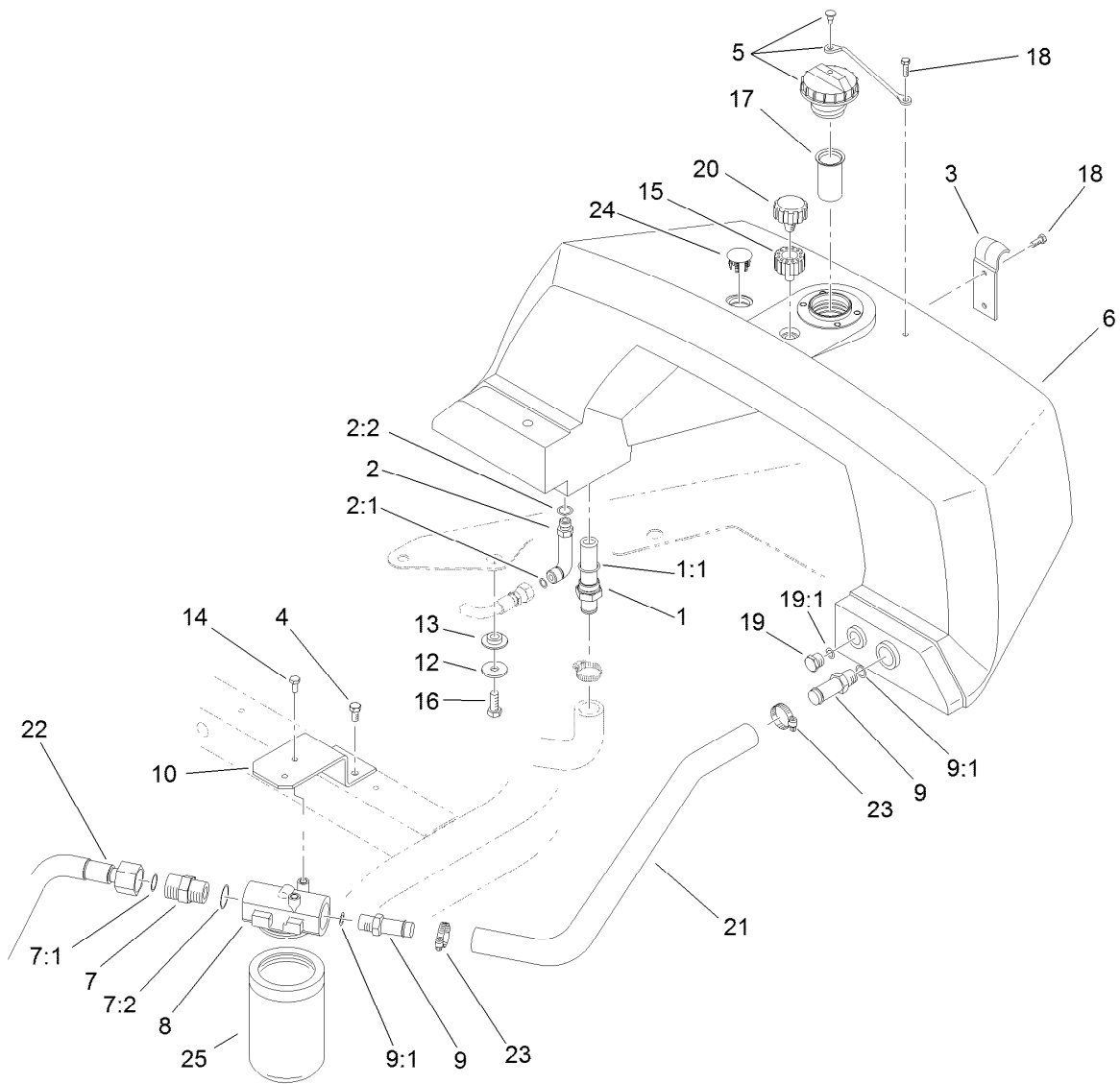
| <i>Ref.</i> | <i>Part Number</i> | <i>Qty.</i> | <i>Description</i> |
|-------------|--------------------|-------------|--------------------|
| 1 | 105-3836 | 1 | Seal Kit |
| 1:1 | | 1 | T-Seal ● |
| 1:2 | | 1 | O-Ring ● |
| 1:3 | | 1 | Seal-Rod ● |
| 1:4 | | 1 | O-Ring ● |
| 1:5 | | 1 | Backup ● |
| 1:6 | | 1 | Seal-Dust ● |

● Not serviced separately



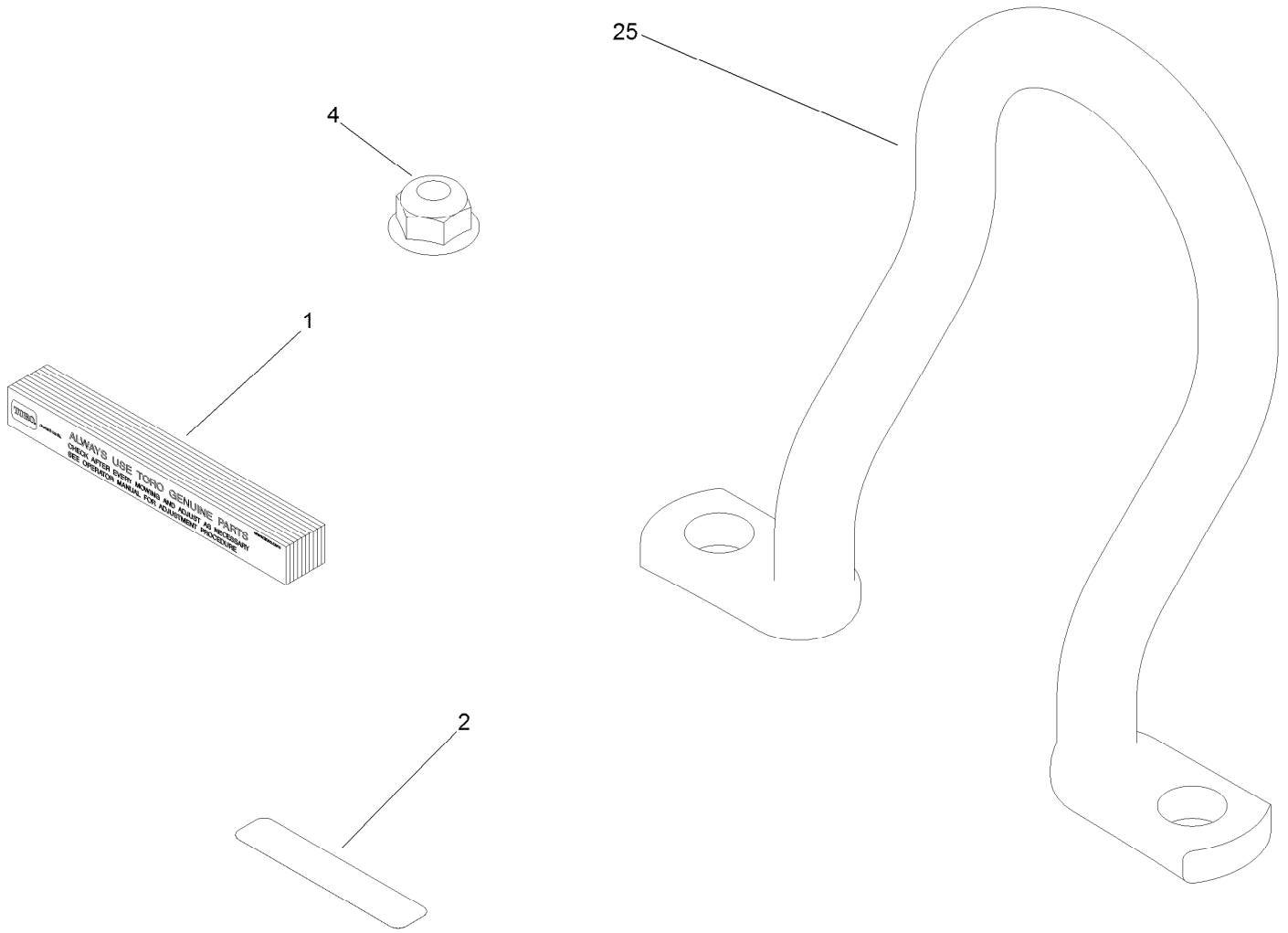
Fuel System Assembly

| <i>Ref.</i> | <i>Part Number</i> | <i>Qty.</i> | <i>Description</i> | <i>Ref.</i> | <i>Part Number</i> | <i>Qty.</i> | <i>Description</i> |
|-------------|--------------------|-------------|------------------------|-------------|--------------------|-------------|--------------------|
| 1 | 115-5305 | 1 | Cap-Fuel | 11 | 112-0212 | 1 | Fitting-Fuel |
| 2 | 114-4680 | 1 | Tank ASM | 12 | 1-643164 | 1 | Cap-Tank, Overflow |
| 2:2 | 114-4677 | 1 | Bulkhead ASM | 13 | 119-3531-01 | 1 | Plate |
| 2:3 | 114-4679 | 1 | Fitting-Shut Off, Fuel | 16 | 33115-020 | 3 | Screw-HH |
| 3 | 240-11 | 3 | Bushing-Flange | 18 | 106-1128 | 1 | Hose-Fuel |
| 4 | 93-4637 | 3 | Washer-Flat | 19 | 2412-41 | 1 | Clamp-R |
| 5 | 120-5260 | 1 | Tank-Overflow | 20 | 92-5753 | 2 | Clamp-Hose |
| 6 | 32104-32 | 4 | Screw-HWH | 22 | 92-2379 | 1 | Clamp-Hose |
| 7 | 3234-33 | 3 | Screw-HHF | 23 | 117-6395 | 1 | Hose-Vent, Tank |
| 8 | 110-6186 | 1 | Hose-Fuel | 25 | 237-124 | 1 | Grommet |
| 9 | 353-783 | 1 | Fitting-STR | 26 | 2412-108 | 4 | Clamp-Worm |
| 10 | 2412-36 | 2 | Clamp-Hose | | | | |



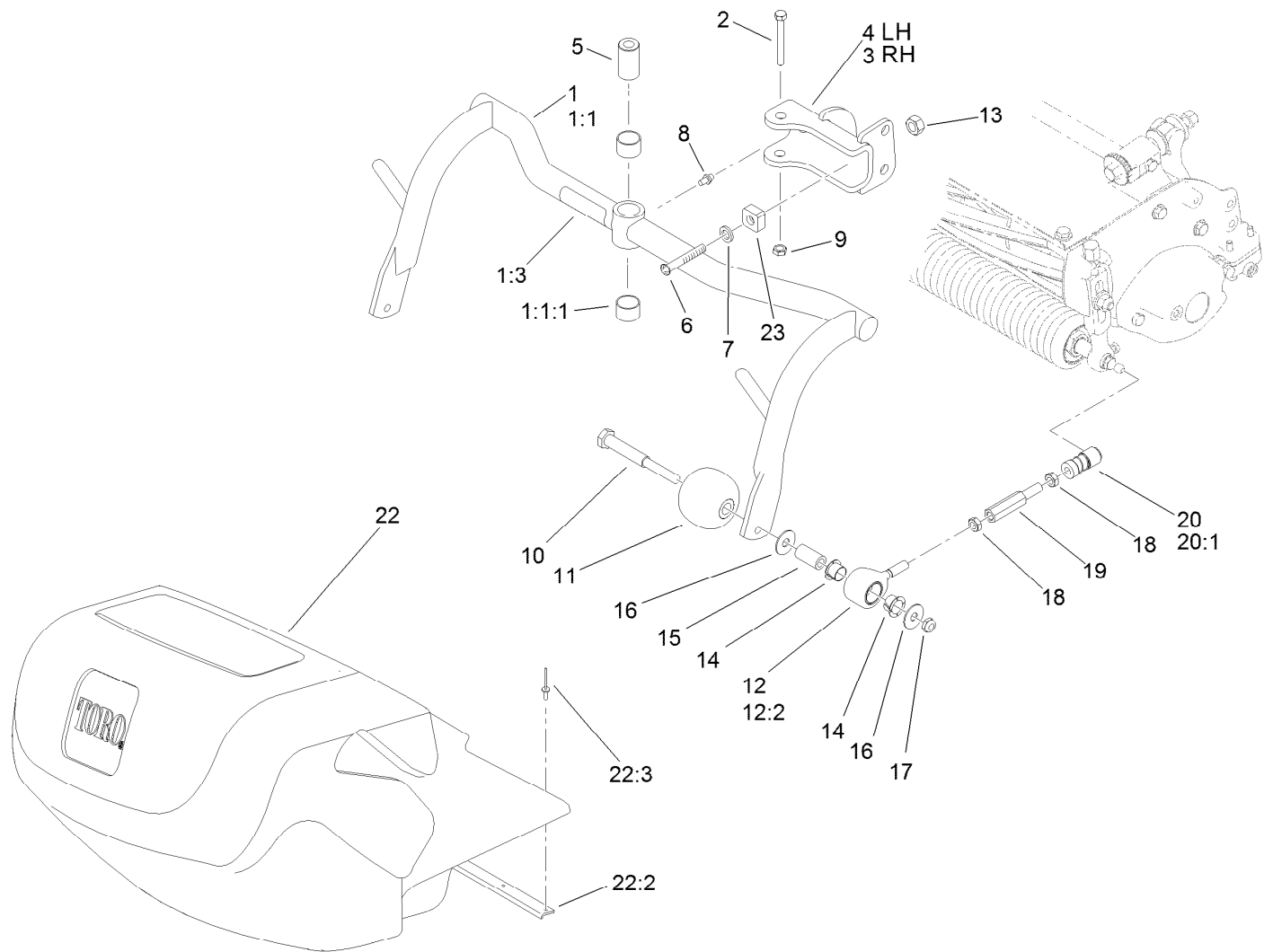
Hydraulic Tank and Filter Assembly

| Ref. | Part Number | Qty. | Description | Ref. | Part Number | Qty. | Description |
|------|-------------|------|----------------------|------|-------------|------|------------------|
| 1 | 112-0211 | 1 | Strainer Fitting ASM | 12 | 93-4637 | 4 | Washer-Flat |
| 1:1 | 237-146 | 1 | O-Ring | 13 | 240-11 | 4 | Bushing-Flange |
| 2 | 69-4320 | 1 | Fitting-HYD, 90 DEG | 14 | 321-3 | 2 | Screw-HH |
| 2:1 | 237-22 | 1 | O-Ring | 15 | 92-8020 | 1 | Adapter-Breather |
| 2:2 | 237-42 | 1 | O-Ring | 16 | 33115-020 | 4 | Screw-HH |
| 3 | 93-2438 | 1 | Clamp-Tank, Fuel | 17 | 93-2275 | 1 | Screen-Filler |
| 4 | 32104-32 | 2 | Screw-HWH | 18 | 33103-016 | 3 | Screw-HHF |
| 5 | 93-7160 | 1 | Cap-Oil, HYD | 19 | 353-988 | 1 | Plug-Hex |
| 6 | 117-9531 | 1 | Tank-Hydraulic | 19:1 | 237-79 | 1 | O-Ring |
| 7 | 340-9 | 1 | Fitting-STR | 20 | 68-6150 | 1 | Breather |
| 7:1 | 237-58 | 1 | O-Ring | 21 | 94-9607 | 1 | Hose-Return |
| 7:2 | 237-81 | 1 | O-Ring | 22 | 94-4518 | 1 | Tube ASM |
| 8 | 92-5821 | 1 | Head-Filter | 23 | 2412-129 | 2 | Clamp-Hose |
| 9 | 354-73 | 2 | Fitting | 24 | 93-2437 | 1 | Plug-Serrated |
| 9:1 | 237-81 | 1 | O-Ring | 25 | 107-9531 | 1 | Filter-Oil, HYD |
| 10 | 131-8780-03 | 1 | Bracket-Oil Filter | | | | |



Miscellaneous Part Assembly

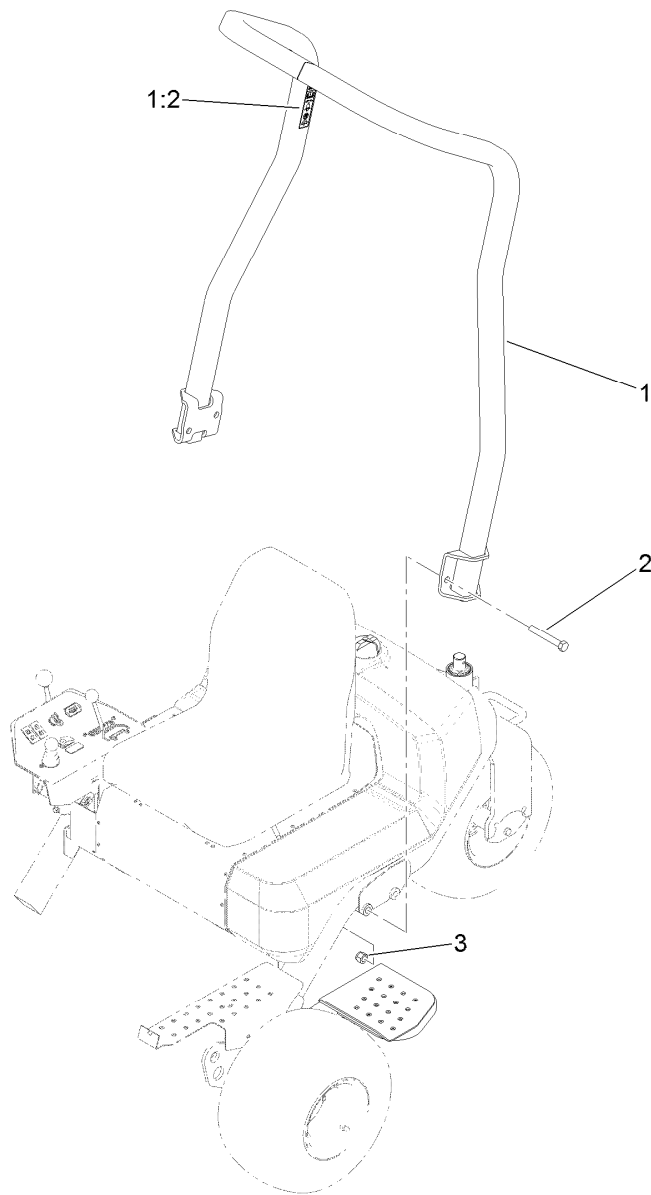
| <i>Ref.</i> | <i>Part Number</i> | <i>Qty.</i> | <i>Description</i> |
|-------------|--------------------|-------------|---------------------------------------|
| 1 | 125-5610 | 1 | Paper-Reel, Toro (10 Pack) |
| 2 | 125-5611 | 1 | Shim-Reel, Toro (0.002 Inch) |
| 4 | 104-8300 | 4 | Nut-HF, NI |
| 25 | 110-2397 | 3 | Hook-Lift, Offset (1.25 Inch, GR3250) |



Pull Frame Assembly

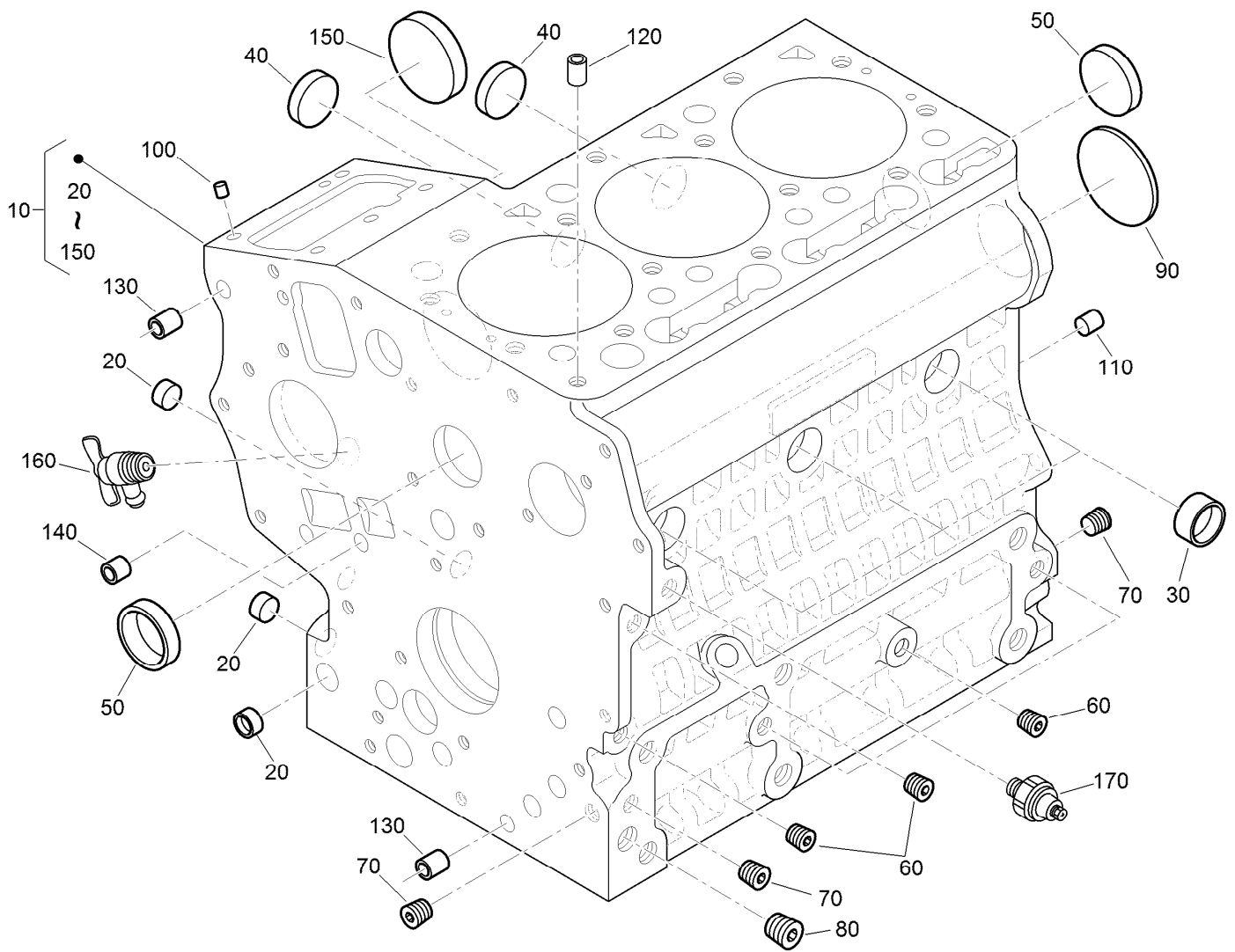
| Ref. | Part Number | Qty. | Description | Ref. | Part Number | Qty. | Description |
|-------|-------------|------|------------------------------|------|-------------|------|-------------------------|
| 1 | 136-8577 | 3 | Pull Frame ASM | 12 | 108-6542 | 6 | Pull Link ASM |
| 1:1 | | 1 | Pull Frame And Bushing ASM ● | 12:2 | 95-0532 | 2 | Rubber Bushing ASM |
| 1:1:1 | 98-4166 | 2 | Bushing | 13 | 3296-12 | 3 | Nut-Lock, NI |
| 1:3 | 104-7729 | 1 | Decal-Danger, CE | 14 | 104-7738 | 12 | Bushing-Flange |
| 2 | 325-13 | 3 | Screw-HH | 15 | 108-6544 | 6 | Spacer |
| 3 | 99-4183-01 | 2 | RH Clevis ASM | 16 | 119-4150 | 12 | Washer-Flat |
| 4 | 99-4182-01 | 1 | LH Clevis ASM | 17 | 3296-59 | 6 | Nut-Lock, NI |
| 5 | 99-4109 | 3 | Spacer | 18 | 3220-3 | 12 | Nut-HJ |
| 6 | 78-8710 | 3 | Screw | 19 | 88-6870 | 6 | Extension-Arm, Pull |
| 7 | 3256-77 | 3 | Washer-Flat | 20 | 99-1460 | 6 | Ball Joint Receiver ASM |
| 8 | 302-5 | 3 | Fitting-Grease | 20:1 | 99-1461 | 1 | Sleeve-Joint, Ball |
| 9 | 99-5107 | 3 | Nut-Lock | 22 | 106-4689 | 3 | Grass Basket ASM |
| 10 | 108-6543 | 6 | Shaft-Roller | 22:2 | 104-2607 | 1 | Strip-Basket |
| 11 | 99-4210 | 6 | Roller-Anti Scalp | 22:3 | 3290-382 | 8 | Rivet-Pop |
| | | | | 23 | 94-1392 | 3 | Pad-Rubber |

● Not serviced separately



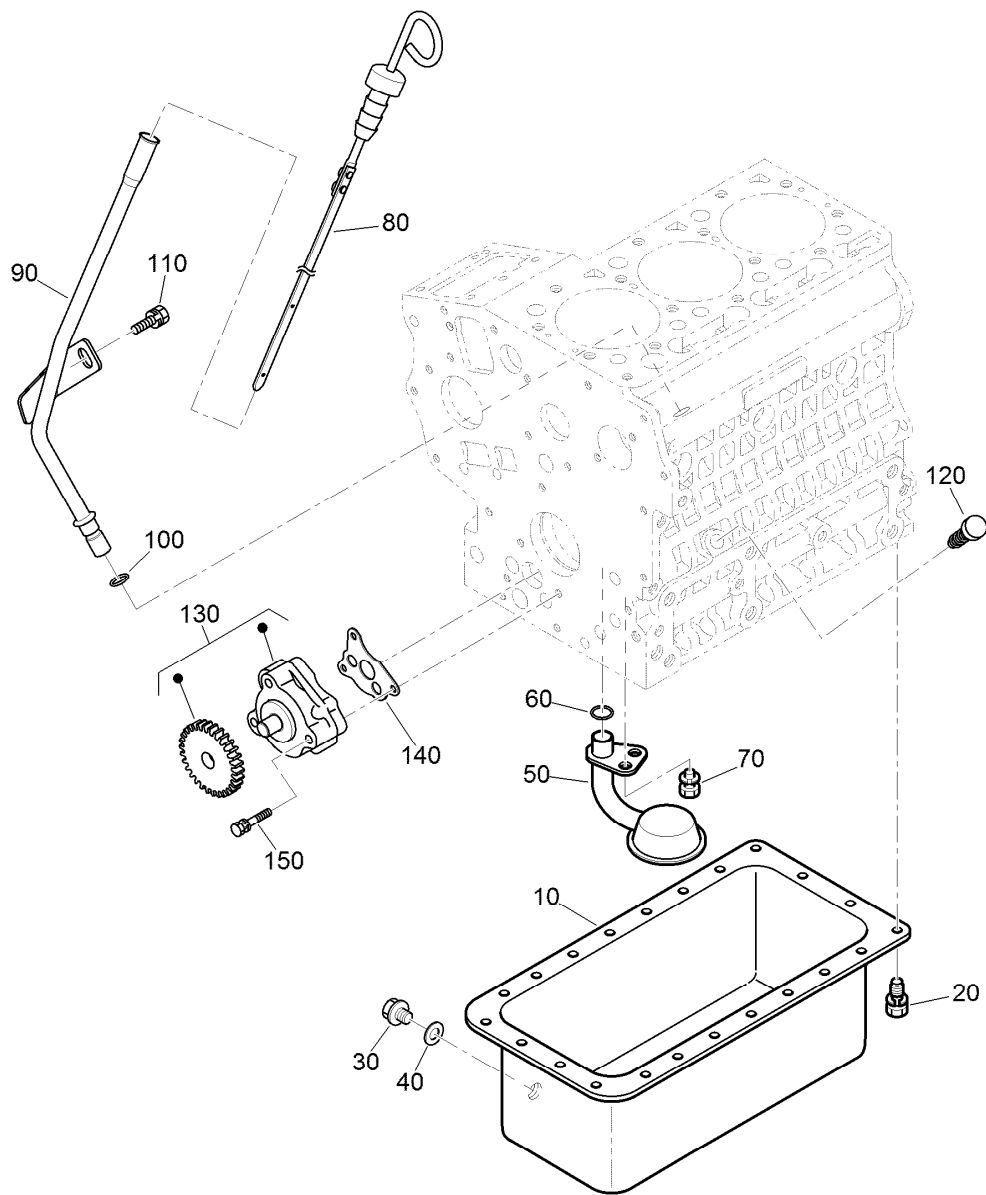
Roll-Over Protection System Assembly

| <i>Ref.</i> | <i>Part Number</i> | <i>Qty.</i> | <i>Description</i> |
|-------------|--------------------|-------------|--------------------|
| 1 | 125-5158 | 1 | ROPS ASM |
| 1:2 | 115-8226 | 1 | Decal-ROPS |
| 2 | 327-23 | 4 | Screw-HH |
| 3 | 3296-53 | 4 | Nut-Lock, NI |



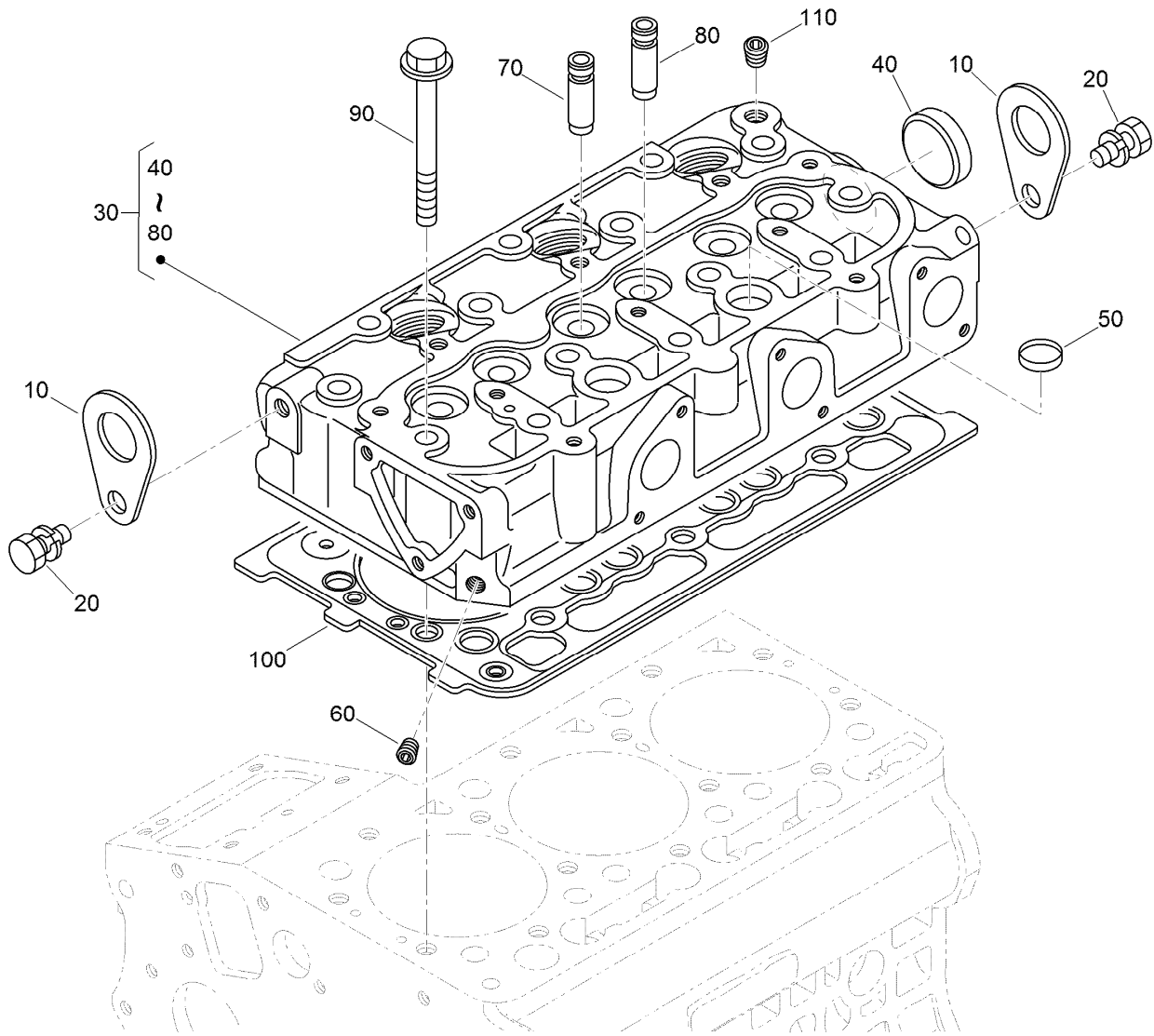
Crankcase Assembly

| <i>Ref.</i> | <i>Part Number</i> | <i>Qty.</i> | <i>Description</i> | <i>Ref.</i> | <i>Part Number</i> | <i>Qty.</i> | <i>Description</i> |
|-------------|--------------------|-------------|--------------------|-------------|--------------------|-------------|----------------------|
| 10 | 130-1385 | 1 | Crankcase ASM | 100 | 98-9375 | 2 | Pin-Straight |
| 20 | 100-2019 | 3 | Cap-Sealing | 110 | 98-9377 | 2 | Pin-Straight |
| 30 | 100-2020 | 3 | Cap-Sealing | 120 | 98-7506 | 1 | Pin-Pipe |
| 40 | 110-3702 | 2 | Cap-Sealing | 130 | 100-2051 | 2 | Pin-Pipe |
| 50 | 98-9398 | 2 | Cap-Sealing | 140 | 100-2051 | 2 | Pin-Pipe |
| 60 | 98-9687 | 5 | Plug | 150 | 100-1991 | 1 | Cover-Fuel, Camshaft |
| 70 | 98-7487 | 3 | Plug | 160 | 120-3121 | 1 | Draincock ASM |
| 80 | 98-7488 | 1 | Plug | 170 | 98-7764 | 1 | Switch-Oil |
| 90 | 100-1851 | 1 | Plug-Expansion | | | | |



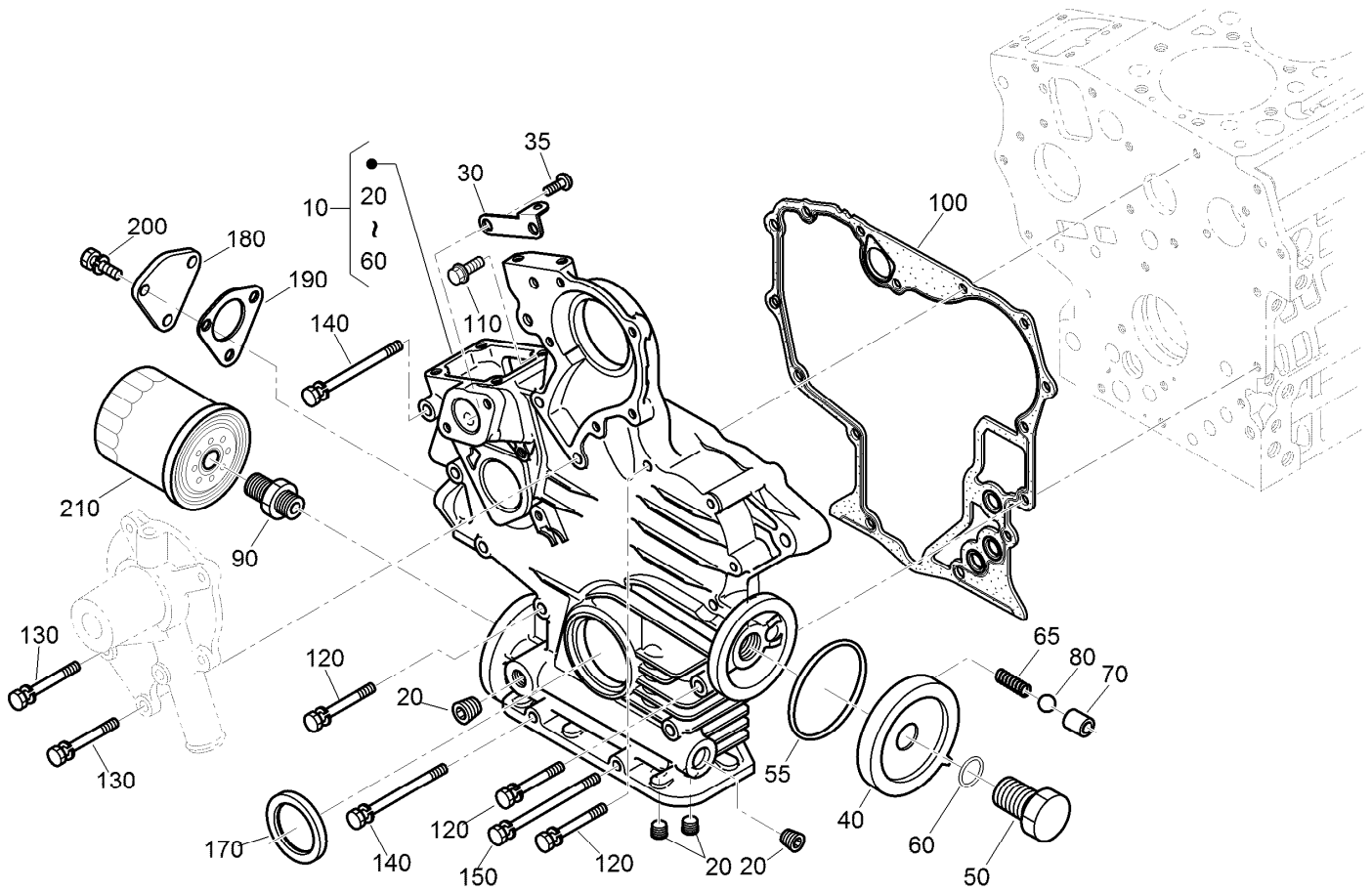
Oil Pan, Oil Pump and Dipstick Assembly

| Ref. | Part Number | Qty. | Description |
|------|-------------|------|----------------------|
| 10 | 120-3122 | 1 | Oil Pan ASM |
| 20 | 98-9350 | 22 | Bolt |
| 30 | 114-8151 | 1 | Plug-Drain |
| 40 | 98-7524 | 1 | Gasket |
| 50 | 100-2001 | 1 | Strainer-Pickup, Oil |
| 60 | 105-3776 | 1 | O-Ring |
| 70 | 100-9195 | 1 | Bolt |
| 80 | 120-3124 | 1 | Gauge-Oil |
| 90 | 120-3125 | 1 | Guide-Gauge, Oil |
| 100 | 98-9722 | 1 | O-Ring |
| 110 | 115-8504 | 1 | Bolt-Flange |
| 120 | 110-3720 | 1 | Plug-Gauge, Oil |
| 130 | 121-2407 | 1 | Oil Pump ASM |
| 140 | 121-2408 | 1 | Gasket-Pump, Oil |
| 150 | 100-1923 | 3 | Bolt |



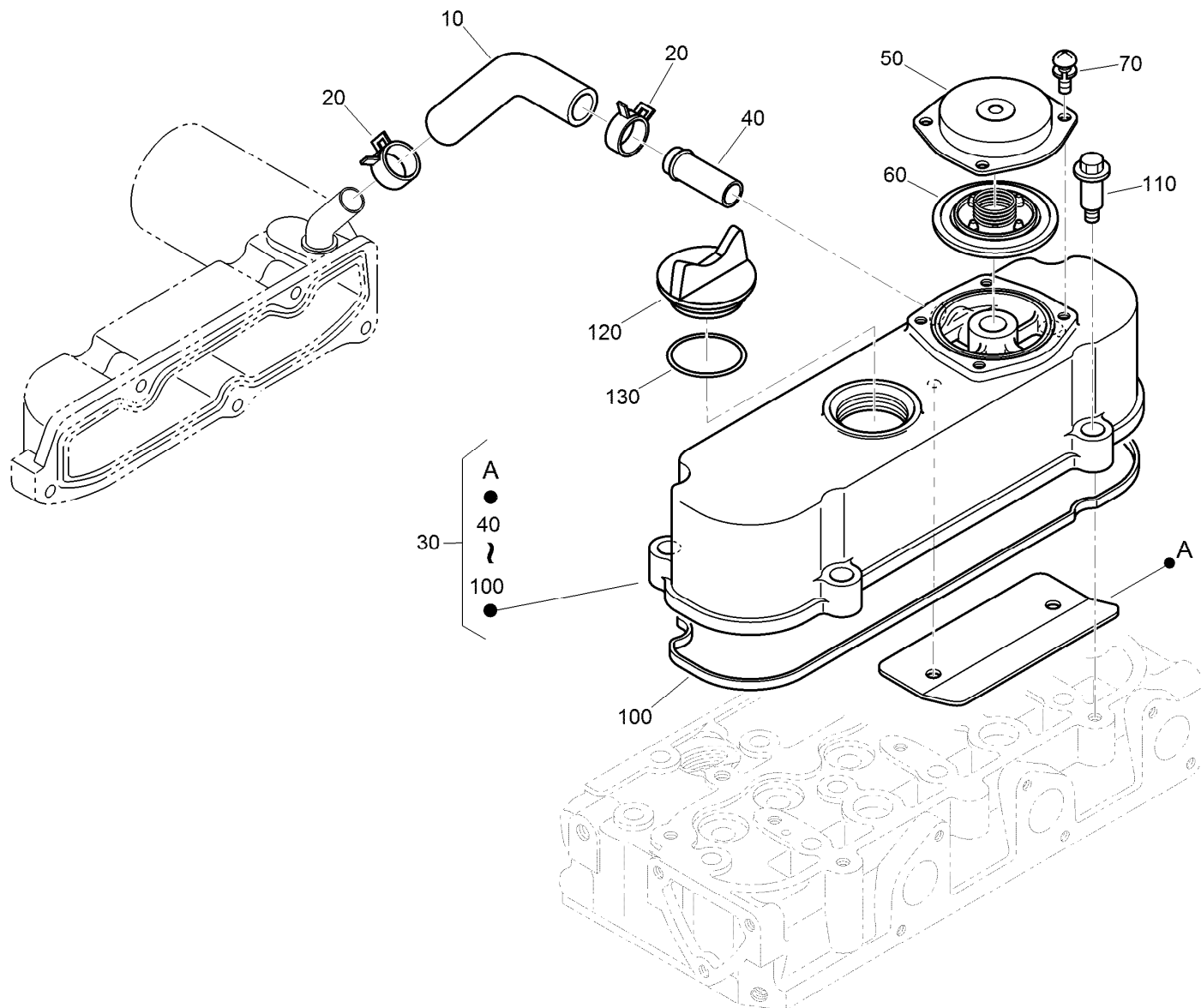
Cylinder Head Assembly

| <i>Ref.</i> | <i>Part Number</i> | <i>Qty.</i> | <i>Description</i> |
|-------------|--------------------|-------------|-----------------------|
| 10 | 98-7531 | 2 | Hook-Engine |
| 20 | 98-7526 | 2 | Bolt |
| 30 | 130-1504 | 1 | Cylinder Head ASM |
| 40 | 105-3705 | 1 | Cap-Sealing |
| 50 | 98-9389 | 2 | Cap-Sealing |
| 60 | 98-9687 | 1 | Plug |
| 70 | 100-1882 | 3 | Guide-Valve, Inlet |
| 80 | 100-1883 | 3 | Guide-Valve, Exhaust |
| 90 | 100-1820 | 14 | Bolt-Head, Cylinder |
| 100 | 112-2520 | 1 | Gasket-Head, Cylinder |
| 110 | 98-9444 | 1 | Plug |



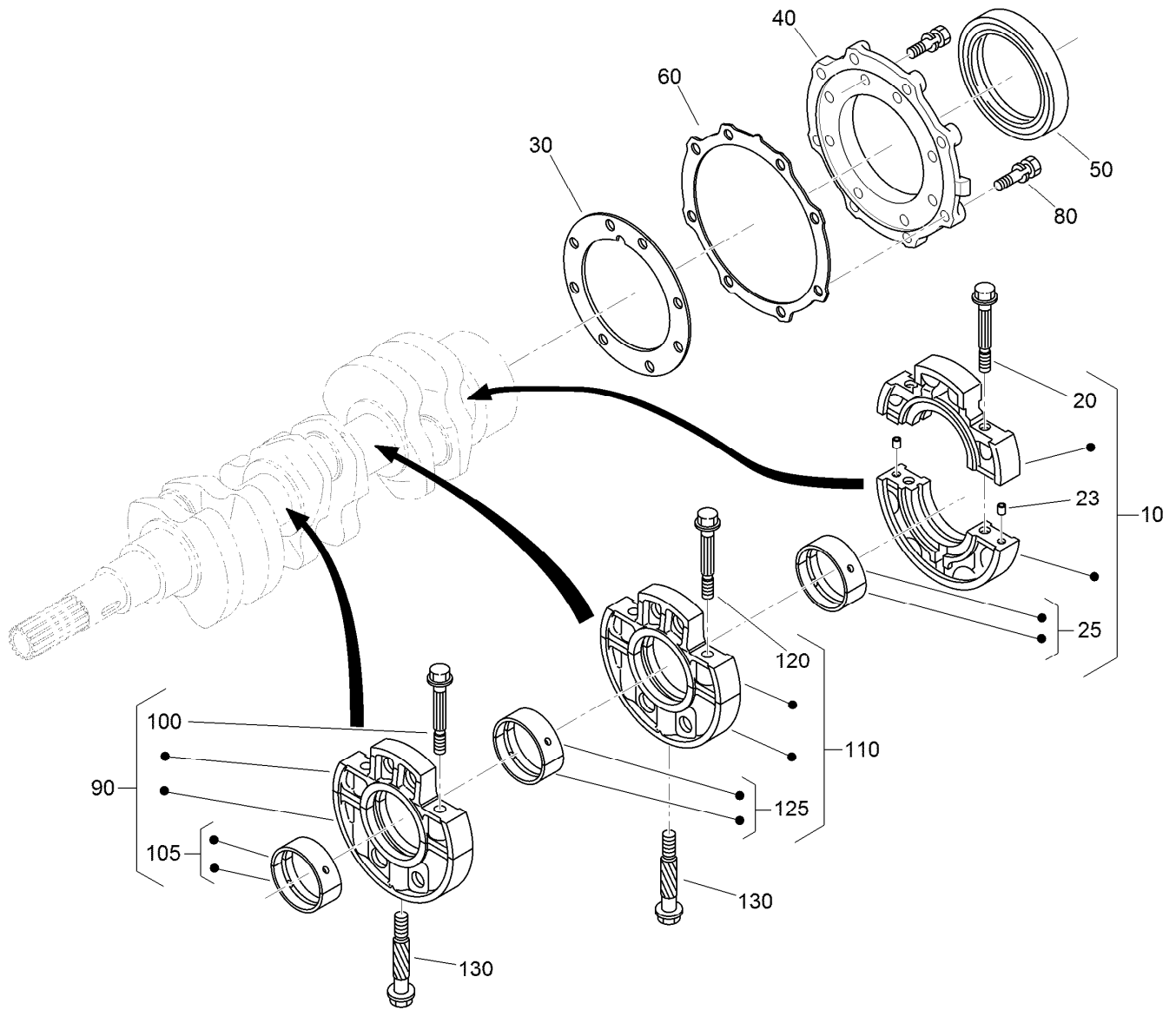
Gear Case and Oil Filter Cartridge Assembly

| <i>Ref.</i> | <i>Part Number</i> | <i>Qty.</i> | <i>Description</i> | <i>Ref.</i> | <i>Part Number</i> | <i>Qty.</i> | <i>Description</i> |
|-------------|--------------------|-------------|--------------------|-------------|--------------------|-------------|--------------------|
| 10 | 121-2401 | 1 | Gearcase ASM | 100 | 121-2404 | 1 | Gasket-Gearcase |
| 20 | 98-7488 | 4 | Plug | 110 | 127-0403 | 1 | Bolt-Flange |
| 30 | 110-3708 | 1 | Stay-Spring, Start | 120 | 125-9063 | 8 | Bolt-Sems |
| 35 | 100-2040 | 2 | Screw | 130 | 100-1922 | 2 | Bolt |
| 40 | 121-2402 | 1 | Cover | 140 | 98-9357 | 3 | Bolt |
| 50 | 121-2403 | 1 | Bolt | 150 | 110-3710 | 1 | Bolt |
| 55 | 98-9729 | 1 | O-Ring | 170 | 120-7852 | 1 | Seal-Oil |
| 60 | 105-3777 | 1 | O-Ring | 180 | 121-2405 | 1 | Cover |
| 65 | 100-2004 | 1 | Spring | 190 | 121-2406 | 1 | Packing-Flange |
| 70 | 100-1894 | 1 | Seat-Valve | 200 | 98-7605 | 3 | Bolt |
| 80 | 100-1792 | 1 | Ball | 210 | 115-8189 | 1 | Filter-Oil, Engine |
| 90 | 98-9388 | 1 | Joint-Pipe | | | | |



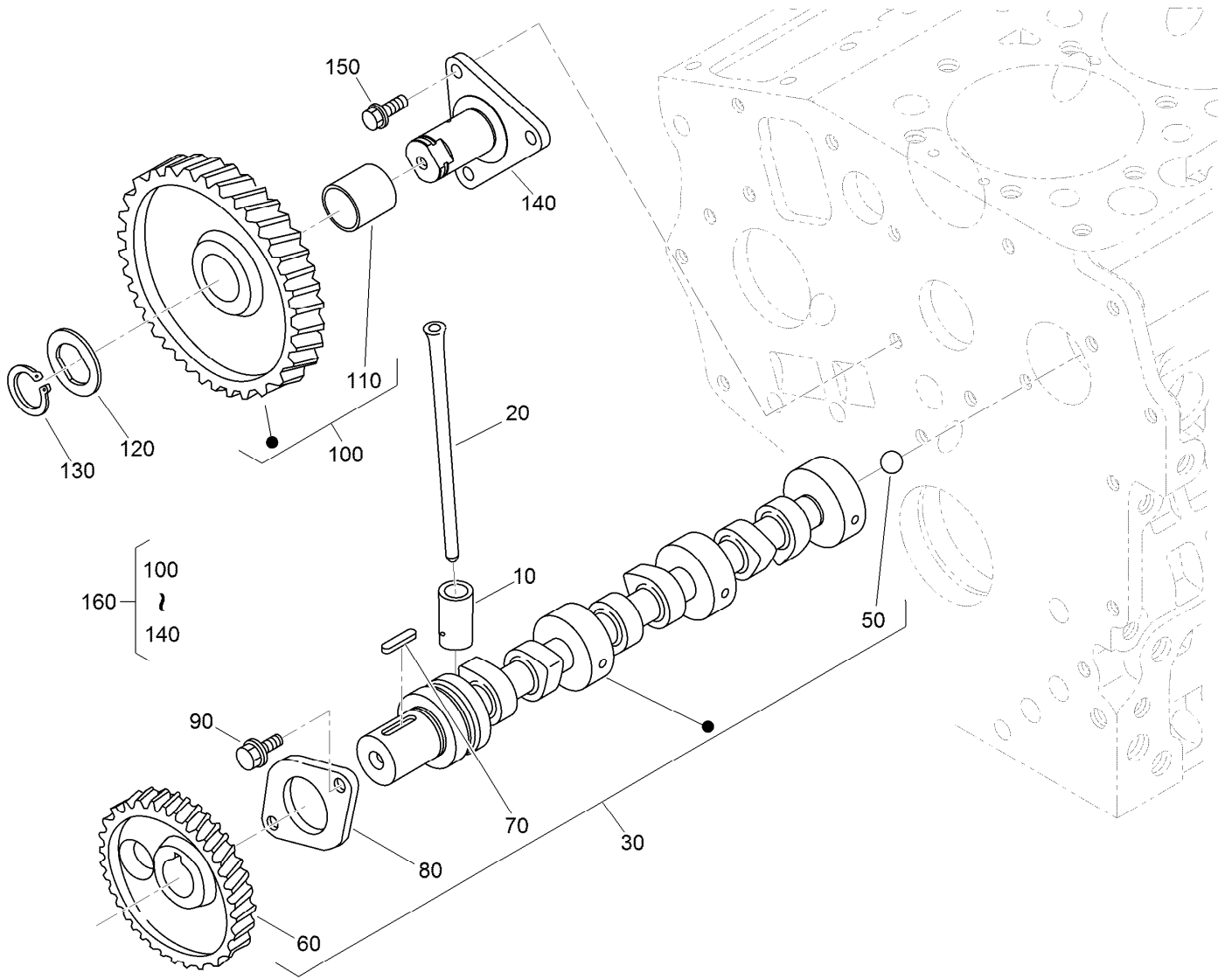
Cylinder Head Cover Assembly

| Ref. | Part Number | Qty. | Description |
|------|-------------|------|-------------------------|
| 10 | 120-3139 | 1 | Tube-Breather |
| 20 | 110-3712 | 2 | Clamp-Hose |
| 30 | 112-8332 | 1 | Cylinder Head Cover ASM |
| 40 | 98-9580 | 1 | Pipe-Return, Water |
| 50 | 110-3714 | 1 | Cover-Breather |
| 60 | 110-3715 | 1 | Valve-Breather |
| 70 | 98-9364 | 4 | Screw (With Washer) |
| 100 | 112-2521 | 1 | Gasket-Cover, Head |
| 110 | 108-7063 | 4 | Bolt |
| 120 | 107-9075 | 1 | Plug-Filler, Oil |
| 130 | 99-3446 | 1 | O-Ring |



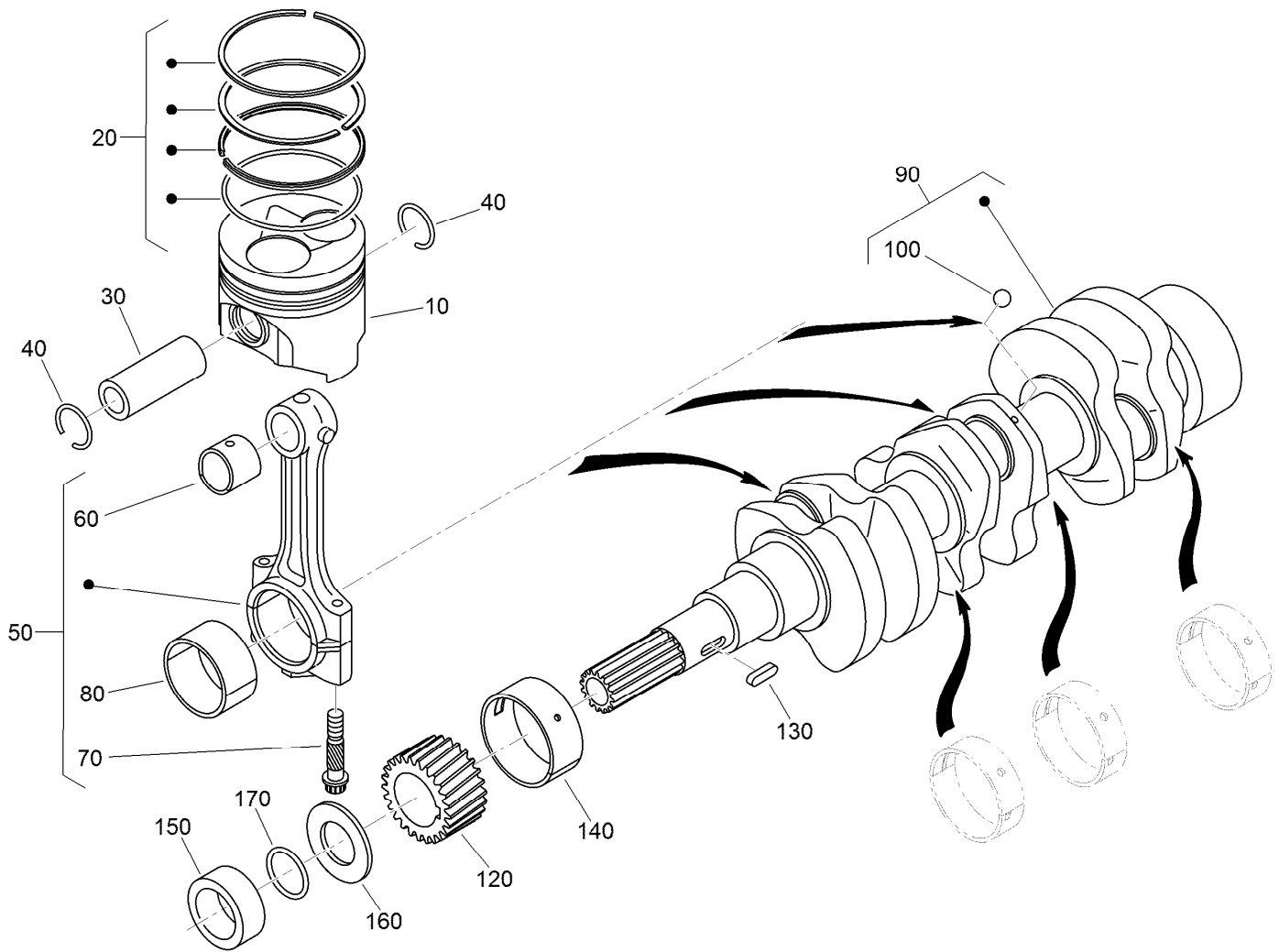
Main Bearing Case Assembly

| <i>Ref.</i> | <i>Part Number</i> | <i>Qty.</i> | <i>Description</i> | <i>Ref.</i> | <i>Part Number</i> | <i>Qty.</i> | <i>Description</i> |
|-------------|--------------------|-------------|--------------------------------|-------------|--------------------|-------------|--------------------------------|
| 10 | 125-9064 | 1 | Wheel Bearing Case ASM | 105 | 110-3741 | 1 | Crankshaft Metal ASM (STD) |
| 20 | 125-9065 | 2 | Bolt-Flange | 105 | 125-9083 | 1 | Crankshaft Metal ASM (-0.20Mm) |
| 23 | 125-9082 | 2 | Pin-Straight | 105 | 110-3743 | 1 | Crankshaft Metal ASM (-0.40Mm) |
| 25 | 125-9066 | 1 | Crankshaft Metal ASM (STD) | 110 | 130-1418 | 1 | Main Bearing Case ASM |
| 25 | 125-9067 | 1 | Crankshaft Metal ASM (-0.20Mm) | 120 | 110-3723 | 2 | Bolt-Case, Bearing |
| 25 | 125-9068 | 1 | Crankshaft Metal ASM (-0.40Mm) | 125 | 110-3741 | 1 | Crankshaft Metal ASM (STD) |
| 30 | 100-1873 | 1 | Gasket-Case, Bearing | 125 | 125-9083 | 1 | Crankshaft Metal ASM (-0.20Mm) |
| 40 | 112-8334 | 1 | Cover-Case, Bearing | 125 | 110-3743 | 1 | Crankshaft Metal ASM (-0.40Mm) |
| 50 | 110-3724 | 1 | Seal-Oil | 130 | 100-1874 | 2 | Bolt-Case, Bearing |
| 60 | 100-1876 | 1 | Gasket-Cover, Case | | | | |
| 80 | 100-1750 | 16 | Bolt | | | | |
| 90 | 130-1417 | 1 | Main Bearing Case ASM | | | | |
| 100 | 110-3723 | 2 | Bolt-Case, Bearing | | | | |



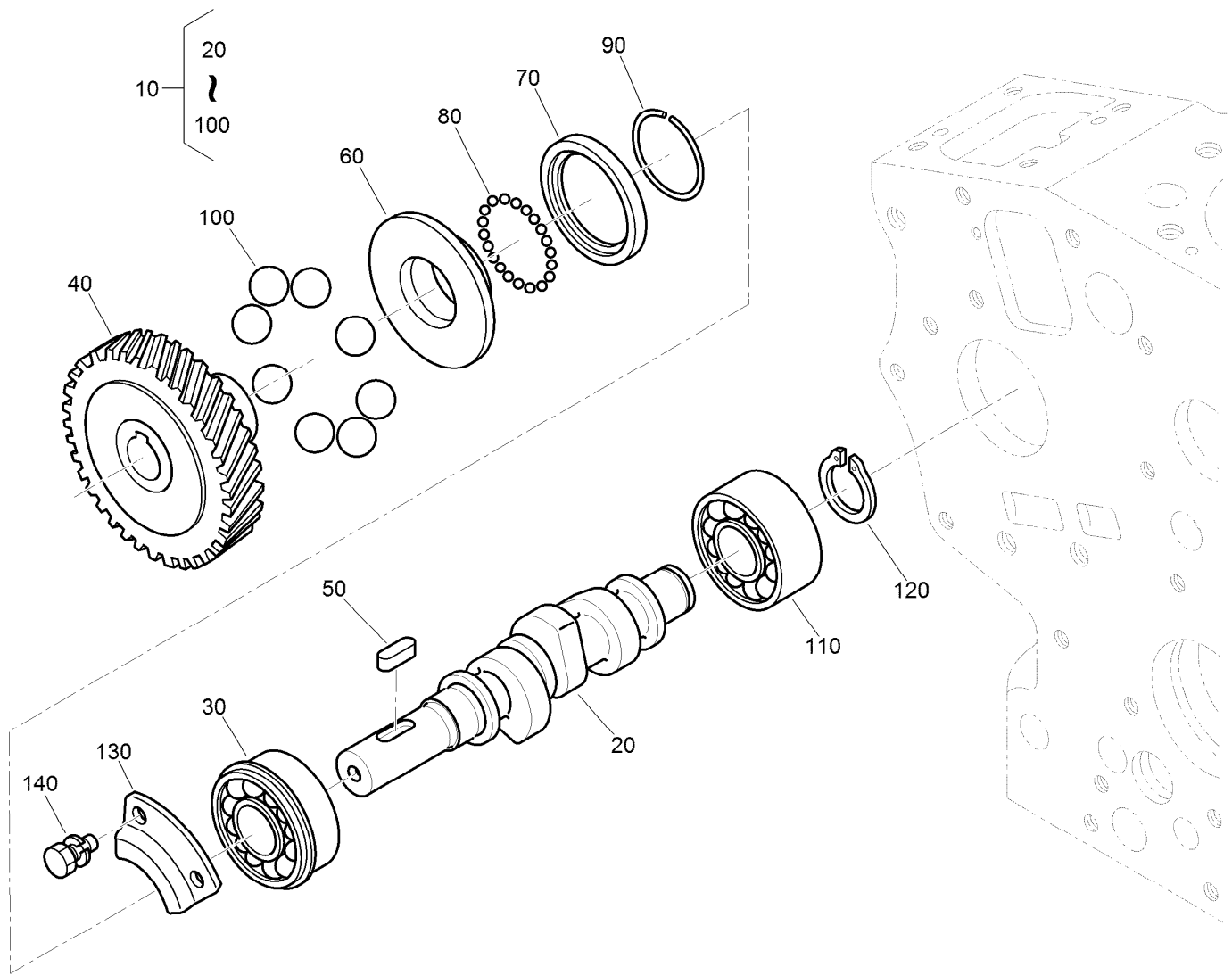
Camshaft and Idle Gear Shaft Assembly

| Ref. | Part Number | Qty. | Description |
|------|-------------|------|-------------------|
| 10 | 110-3727 | 6 | Tappet |
| 20 | 100-1989 | 6 | Rod-Push |
| 30 | 120-3126 | 1 | Camshaft ASM |
| 50 | 110-3729 | 1 | Ball |
| 60 | 130-1534 | 1 | Gear-Cam |
| 70 | 98-9378 | 1 | Key-Feather |
| 80 | 100-1887 | 1 | Stopper-Camshaft |
| 90 | 98-9350 | 2 | Bolt |
| 100 | 121-2421 | 1 | Idle Gear ASM |
| 110 | 121-2422 | 1 | Bushing |
| 120 | 100-1970 | 1 | Collar-Gear, Idle |
| 130 | 100-1969 | 1 | Ring-Snap |
| 140 | 100-1967 | 1 | Shaft-Gear, Idle |
| 150 | 100-1774 | 3 | Bolt-Flange |
| 160 | 100-2240 | 1 | Idle Gear ASM |



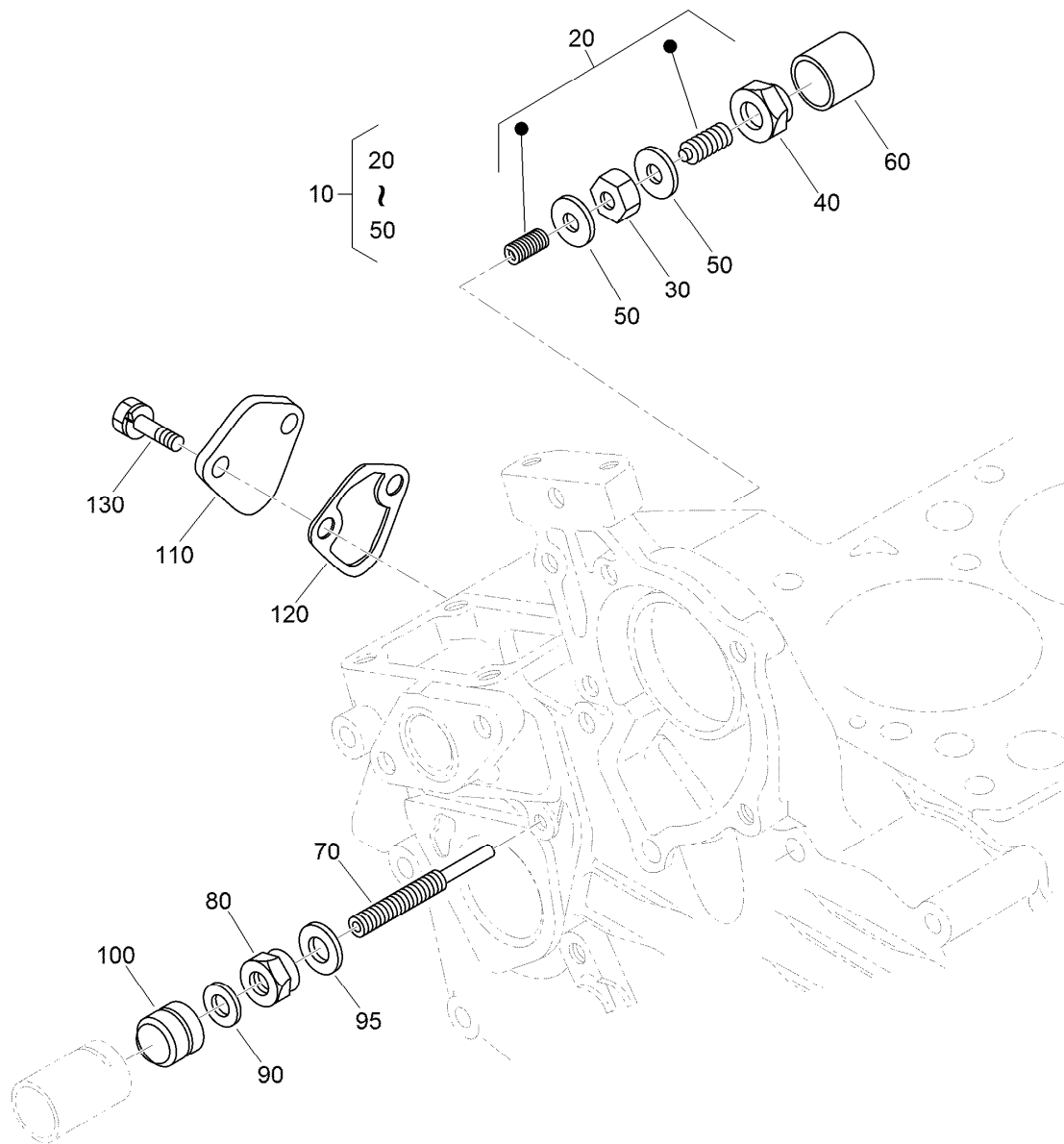
Piston and Crankshaft Assembly

| <i>Ref.</i> | <i>Part Number</i> | <i>Qty.</i> | <i>Description</i> | <i>Ref.</i> | <i>Part Number</i> | <i>Qty.</i> | <i>Description</i> |
|-------------|--------------------|-------------|-------------------------|-------------|--------------------|-------------|---------------------------|
| 10 | 130-1518 | 3 | Piston | 80 | 121-2420 | 3 | Metal-Crankpin (-.40MM) |
| 10 | 130-1520 | 3 | Piston | 90 | 117-0308 | 1 | Crankshaft |
| 20 | 130-1516 | 3 | Piston Ring ASM | 100 | 100-1791 | 3 | Ball |
| 20 | 130-1517 | 3 | Piston Ring ASM | 120 | 100-1891 | 1 | Gear-Crankshaft |
| 30 | 110-3734 | 3 | Pin-Piston | 130 | 100-1752 | 1 | Key-Feather |
| 40 | 100-1835 | 6 | Circlip-Internal | 140 | 110-3738 | 1 | Metal-Crankshaft (STD) |
| 50 | 125-9070 | 3 | Connecting Rod ASM | 140 | 121-2424 | 1 | Metal-Crankshaft (-.20MM) |
| 60 | 110-3736 | 3 | Bushing-Pin, Piston | 140 | 121-2425 | 1 | Metal-Crankshaft (-.40MM) |
| 70 | 100-1999 | 6 | Bolt-Rod, Connecting | 150 | 100-1890 | 1 | Collar-Crankshaft |
| 80 | 100-2000 | 3 | Metal-Crankpin (STD) | 160 | 100-1974 | 1 | Slinger-Oil |
| 80 | 121-3849 | 3 | Metal-Crankpin (-.20MM) | 170 | 100-2209 | 1 | O-Ring |



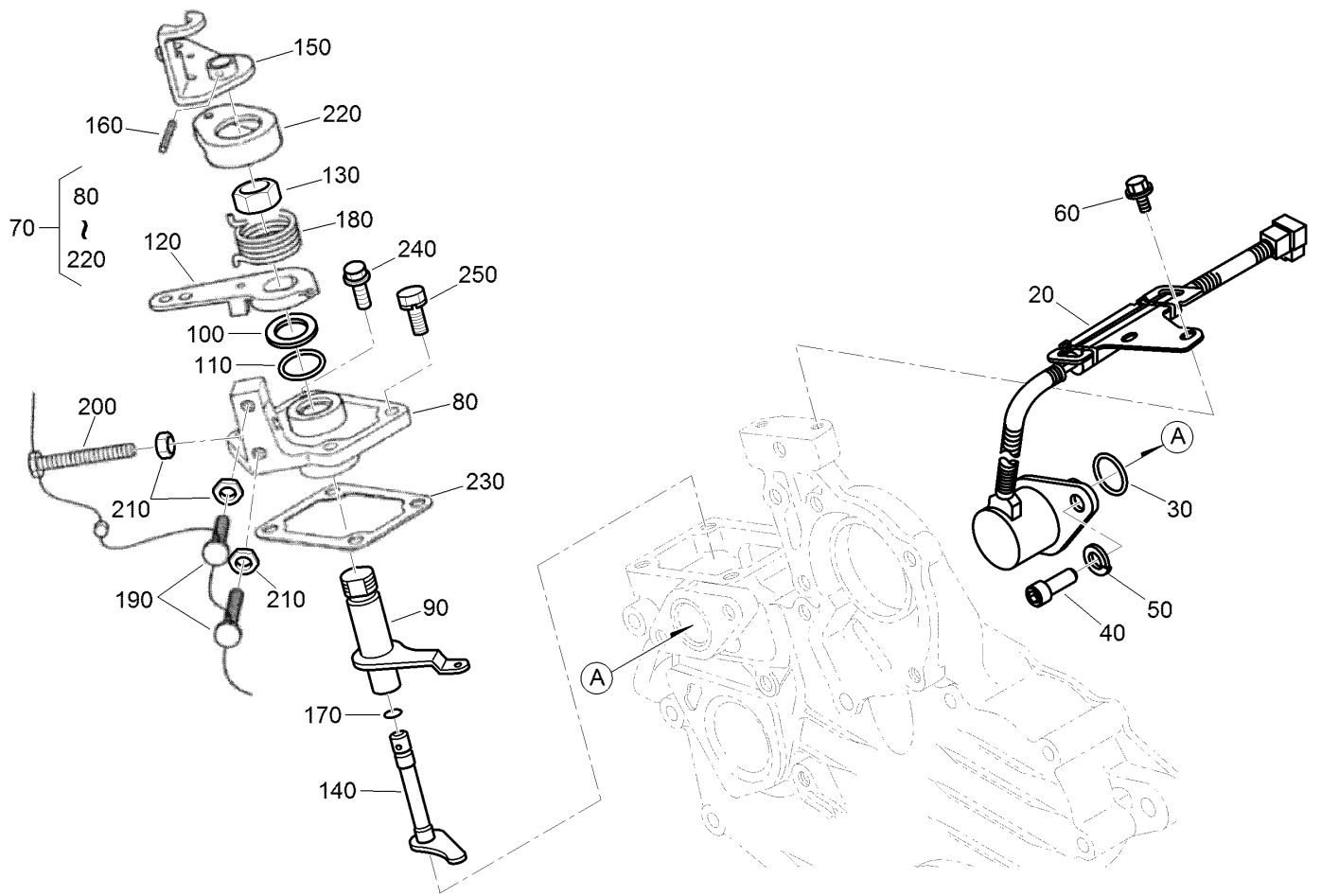
Fuel Camshaft Assembly

| Ref. | Part Number | Qty. | Description |
|------|-------------|------|------------------------|
| 10 | 112-8335 | 1 | Fuel Camshaft ASM |
| 20 | 110-3756 | 1 | Camshaft-Fuel |
| 30 | 100-1795 | 1 | Bearing-Ball |
| 40 | 100-2006 | 1 | Gear-Pump, Injection |
| 50 | 100-1752 | 1 | Key-Feather |
| 60 | 112-8336 | 1 | Sleeve-Governor |
| 70 | 100-1904 | 1 | Case-Ball, Governor |
| 80 | 100-1790 | 32 | Ball |
| 90 | 100-1843 | 1 | Circ-Clip |
| 100 | 100-1793 | 8 | Ball |
| 110 | 110-3757 | 1 | Bearing-Ball |
| 120 | 100-1784 | 1 | Circ-Clip, External |
| 130 | 100-1888 | 1 | Stopper-Fuel, Camshaft |
| 140 | 98-9350 | 2 | Bolt |



Idle Apparatus and Fuel Pump Cover Assembly

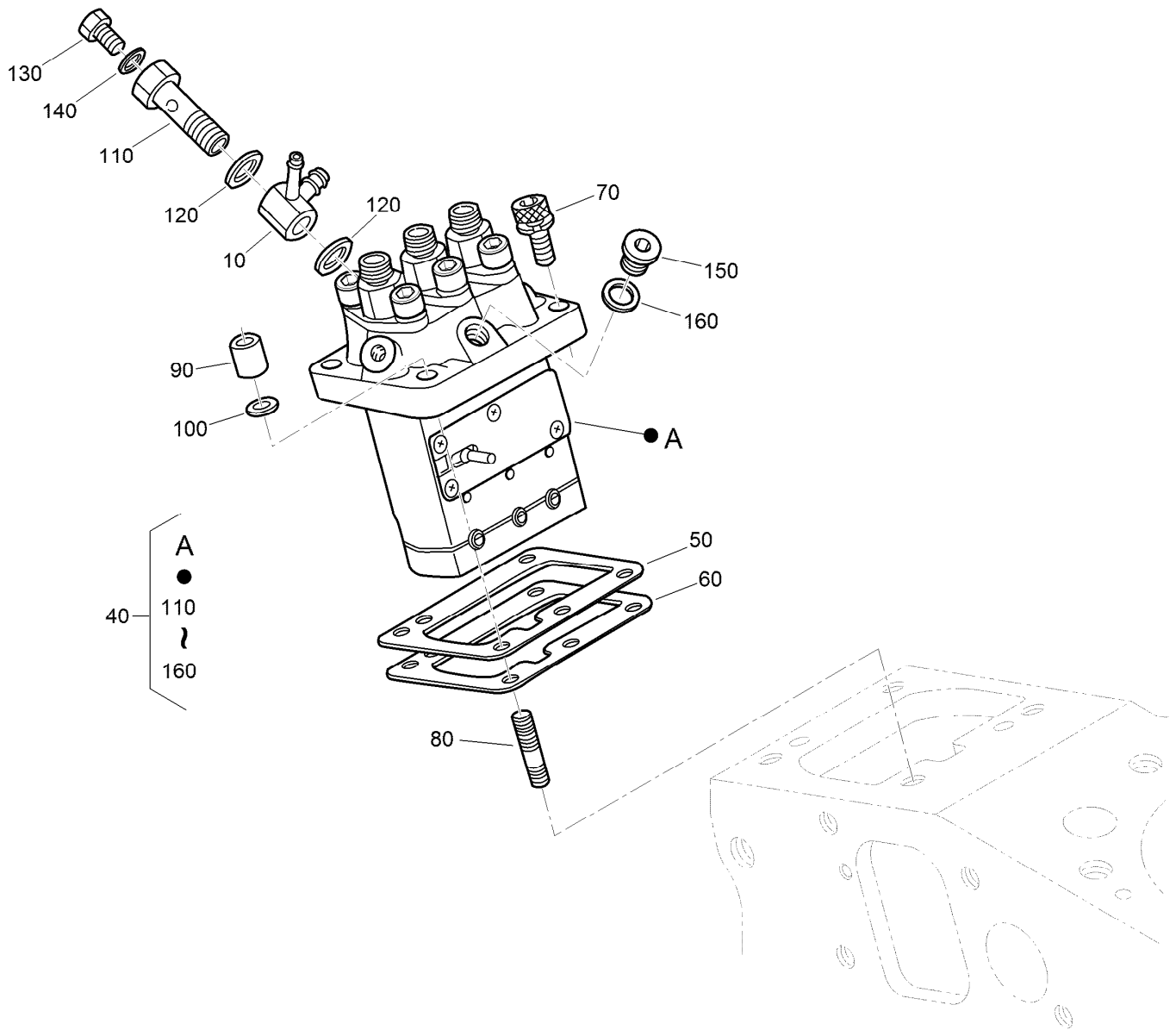
| Ref. | Part Number | Qty. | Description |
|------|-------------|------|--------------------|
| 10 | 100-1898 | 1 | Idle Apparatus ASM |
| 20 | 100-1899 | 1 | Adjusting Bolt ASM |
| 30 | 100-1846 | 1 | Nut |
| 40 | 100-1901 | 1 | Nut-Cap |
| 50 | 98-7428 | 2 | Gasket |
| 60 | 100-1902 | 1 | Cap |
| 70 | 110-3758 | 1 | Bolt-Adjusting |
| 80 | 100-2175 | 1 | Nut-Lock |
| 90 | 98-7654 | 1 | Gasket |
| 95 | 107-9081 | 1 | Gasket |
| 100 | 99-8387 | 1 | Nut-Cap |
| 110 | 99-3514 | 1 | Cover |
| 120 | 98-9636 | 1 | Gasket-Pump, Fuel |
| 130 | 98-7692 | 2 | Bolt |



Stop Solenoid and Speed Control Plate Assembly

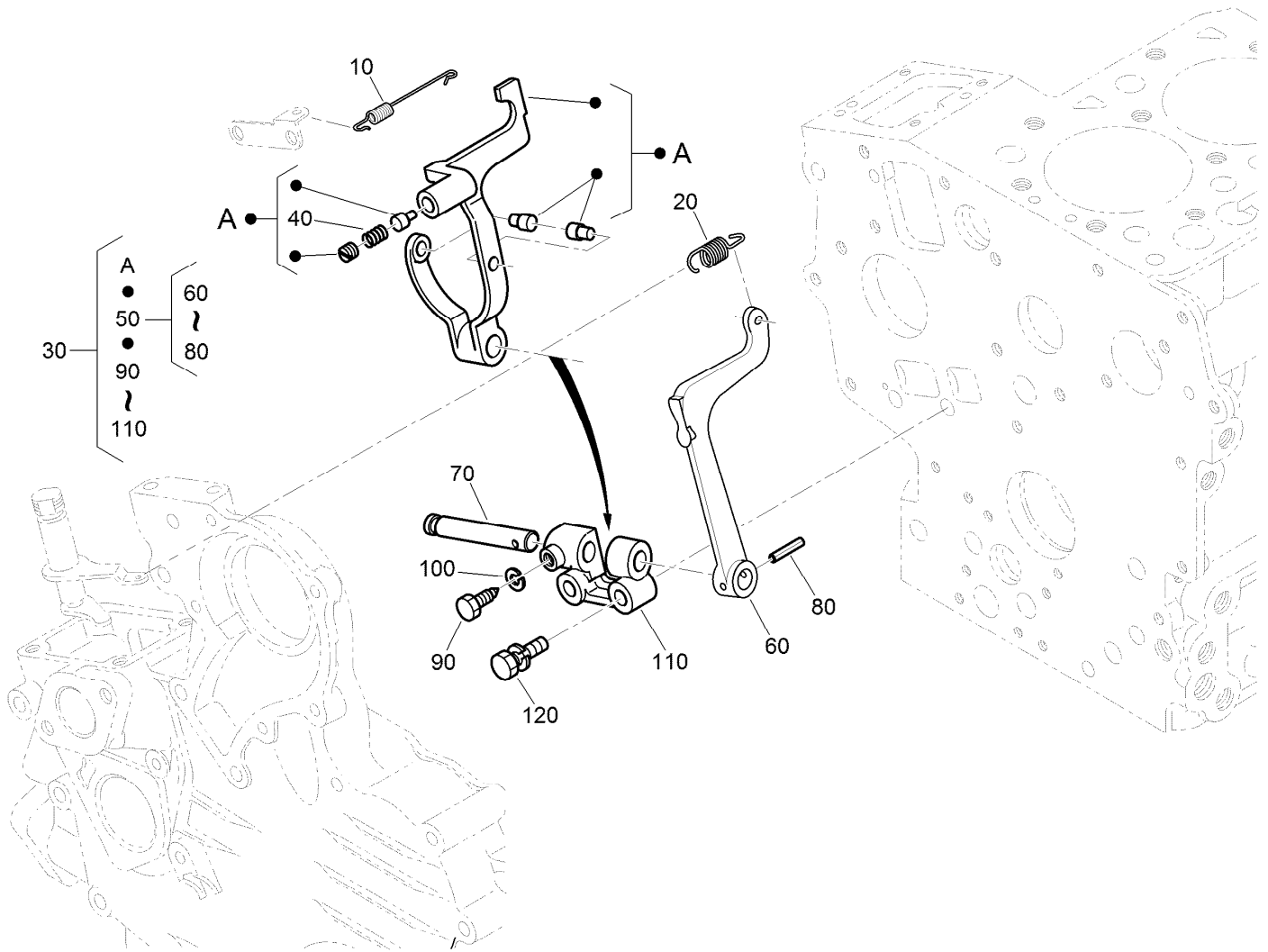
| Ref. | Part Number | Qty. | Description |
|------|-------------|------|-------------------------|
| 20 | 117-2719 | 1 | Solenoid Stop ASM |
| 30 | 110-3762 | 1 | O-Ring |
| 40 | 110-3763 | 2 | Bolt-HSH |
| 50 | 98-7699 | 2 | Washer-Spring |
| 60 | 100-1774 | 2 | Bolt-Flange |
| 70 | 110-3769 | 1 | Speed Control Plate ASM |
| 80 | 110-3770 | 1 | Plate-Control, Speed |
| 90 | 110-3771 | 1 | Lever-Governor |
| 100 | 110-3772 | 1 | Collar |
| 110 | 100-2208 | 1 | O-Ring |
| 120 | 110-3773 | 1 | Lever-Control, Speed |
| 130 | 110-3774 | 1 | Nut-Control, Speed |

| Ref. | Part Number | Qty. | Description |
|------|-------------|------|-----------------------|
| 140 | 110-3775 | 1 | Shaft-Lever |
| 150 | 110-3776 | 1 | Lever-Stop, Engine |
| 160 | 110-3777 | 1 | Pin-Spring |
| 170 | 100-2207 | 1 | O-Ring |
| 180 | 110-3778 | 1 | Spring-Return |
| 190 | 120-3133 | 2 | Screw-Stopper |
| 200 | 120-3134 | 1 | Bolt |
| 210 | 98-7572 | 3 | Nut |
| 220 | 110-3779 | 1 | Cap |
| 230 | 100-1962 | 1 | Gasket-Plate, Control |
| 240 | 127-0403 | 2 | Bolt-Flange |
| 250 | 112-2507 | 2 | Bolt |



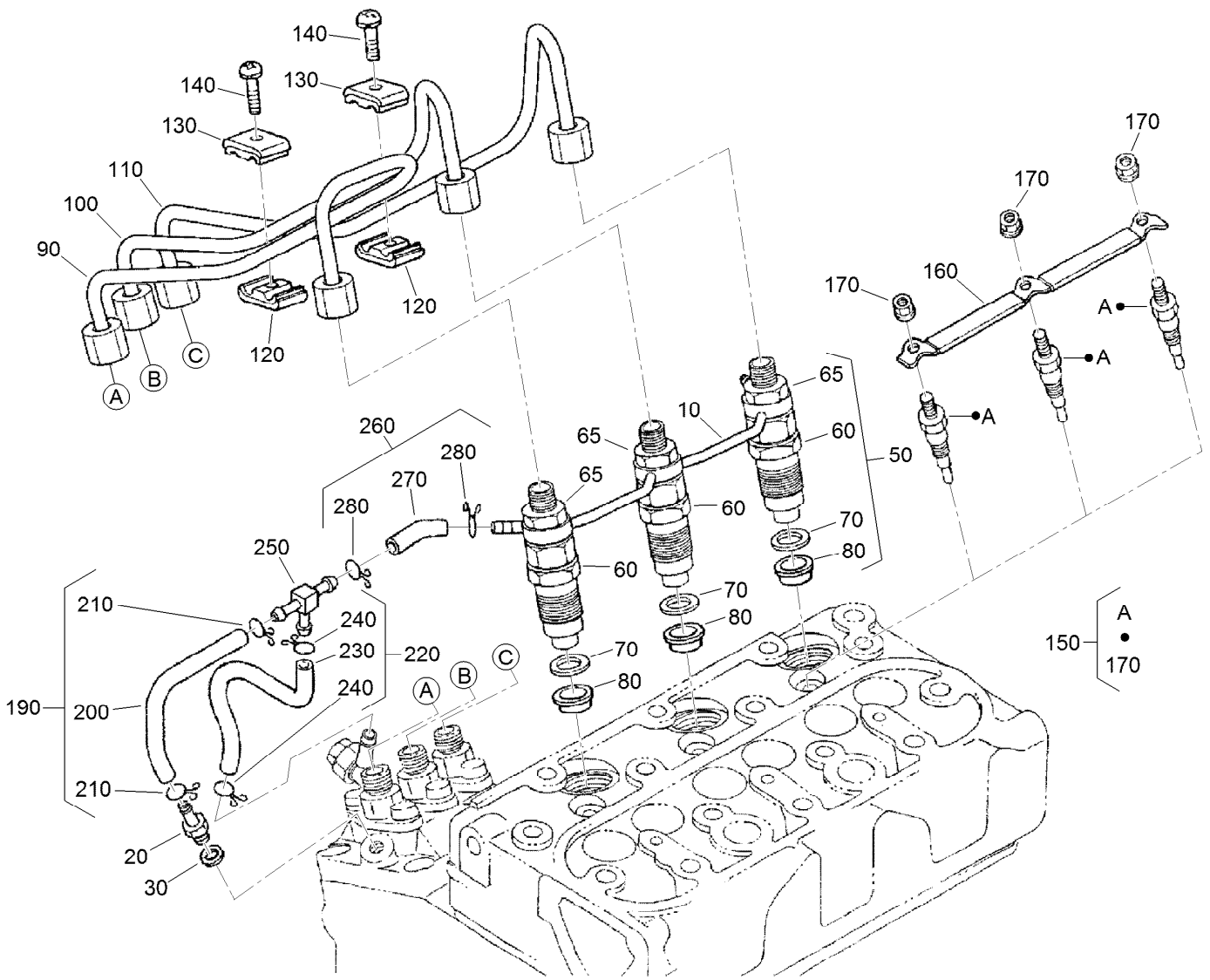
Injection Pump Assembly

| <i>Ref.</i> | <i>Part Number</i> | <i>Qty.</i> | <i>Description</i> | <i>Ref.</i> | <i>Part Number</i> | <i>Qty.</i> | <i>Description</i> |
|-------------|--------------------|-------------|--------------------------|-------------|--------------------|-------------|--------------------|
| 10 | 110-3764 | 1 | Joint | 90 | 98-9440 | 2 | Nut-Cap |
| 40 | 110-3765 | 1 | Injection Pump ASM | 100 | 98-7699 | 2 | Washer-Spring |
| 50 | 115-3045 | 1 | Shim-Injection (0.175MM) | 110 | 100-1896 | 1 | Screw-Hollow |
| 50 | 98-9456 | 1 | Shim-Injection (0.20MM) | 120 | 98-9445 | 2 | Gasket |
| 50 | 98-9457 | 1 | Shim-Injection (0.25MM) | 130 | 98-9430 | 1 | Screw |
| 60 | 98-9458 | 1 | Shim-Injection (0.30MM) | 140 | 98-9446 | 1 | Gasket |
| 60 | 115-3046 | 1 | Shim-Injection (0.35MM) | 150 | 98-9466 | 1 | Plug |
| 70 | 117-7564 | 2 | Bolt-Hex Soc HD | 160 | 98-9451 | 1 | Gasket |
| 80 | 98-9438 | 2 | Stud | | | | |



Governor Assembly

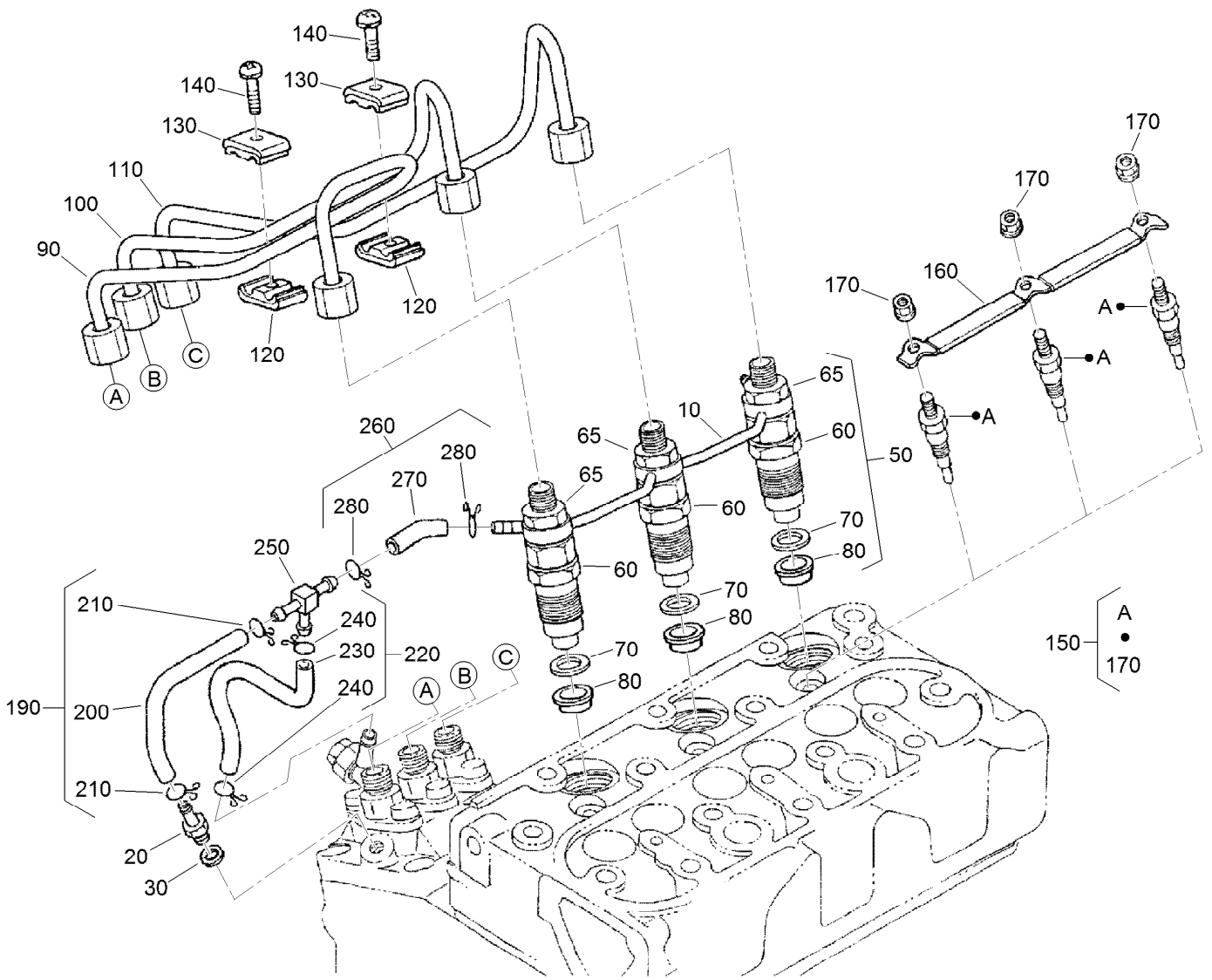
| Ref. | Part Number | Qty. | Description |
|------|-------------|------|--------------------|
| 10 | 110-3766 | 1 | Spring-Start |
| 20 | 130-1220 | 1 | Spring-Governor |
| 30 | 121-3822 | 1 | Fork Lever ASM |
| 40 | 121-2410 | 1 | Spring |
| 50 | 100-1905 | 1 | Fork Lever ASM |
| 60 | 100-1907 | 1 | Lever-Fork |
| 70 | 100-1908 | 1 | Shaft-Lever, Fork |
| 80 | 100-1751 | 1 | Pin-Spring |
| 90 | 100-1845 | 1 | Bolt |
| 100 | 100-2204 | 1 | Washer-Spring |
| 110 | 100-1909 | 1 | Holder-Lever, Fork |
| 120 | 100-1763 | 2 | Bolt |



Nozzle Holder and Glow Plug Assembly

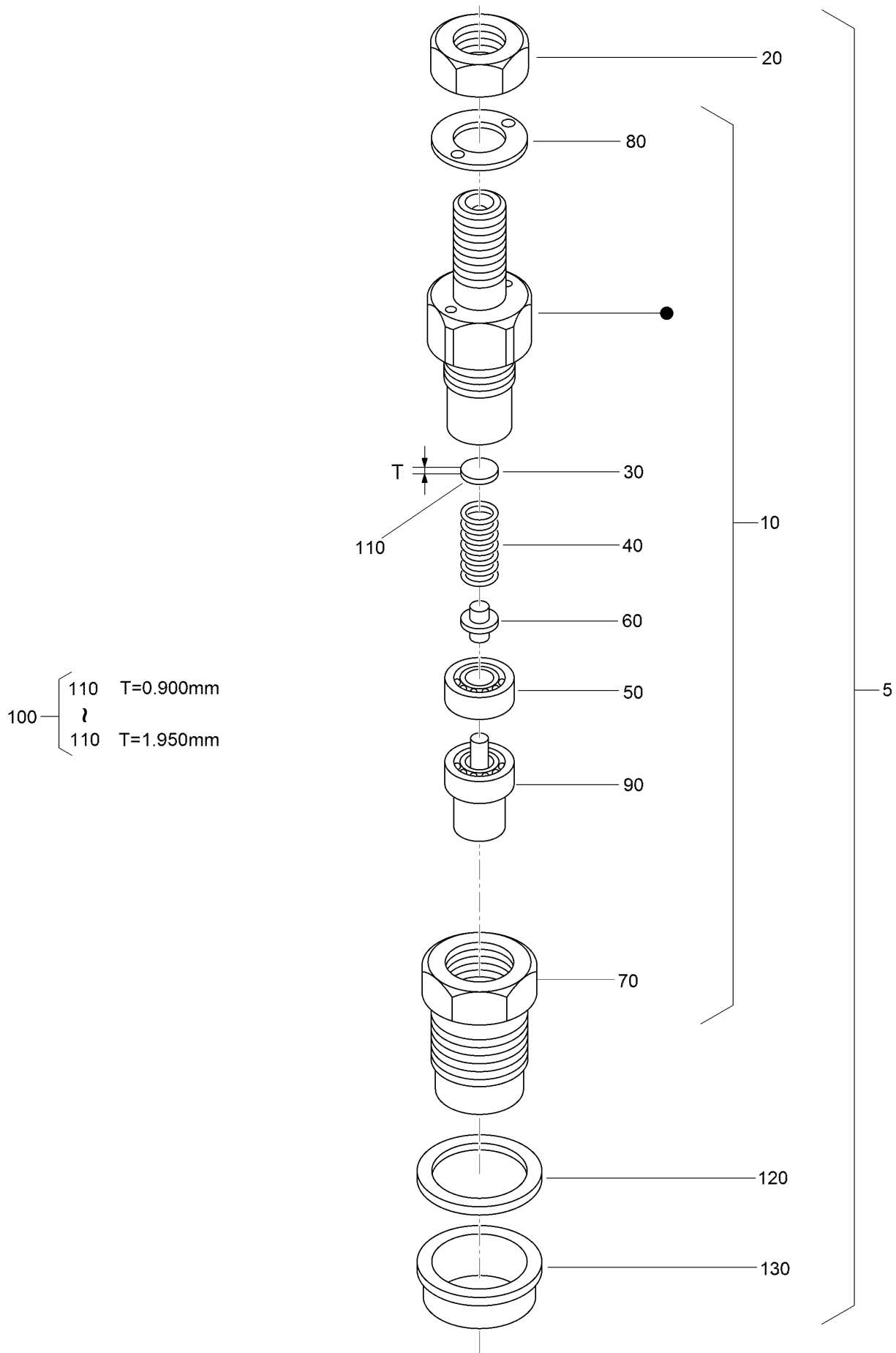
| Ref. | Part Number | Qty. | Description |
|------|-------------|------|--------------------|
| 10 | 110-3780 | 1 | Over Flow Pipe ASM |
| 20 | 98-9431 | 1 | Screw-Bleeder, Air |
| 30 | 98-7654 | 1 | Gasket |
| 50 | 130-1305 | 3 | Nozzle Holder Kit |
| 60 | 130-1303 | 3 | Nozzle Holder ASM |
| 65 | 121-2411 | 3 | Nut |
| 70 | 98-7676 | 3 | Gasket |
| 80 | 98-7677 | 3 | Seal-Heat |
| 90 | 130-1522 | 1 | Pipe-Injection |
| 100 | 130-1523 | 1 | Pipe-Injection |
| 110 | 130-1541 | 1 | Pipe-Injection |
| 120 | 98-7682 | 2 | Clamp-Pipe |
| 130 | 98-7683 | 2 | Clamp-Pipe |
| 140 | 98-7684 | 2 | Screw (W/Washer) |

| Ref. | Part Number | Qty. | Description |
|------|-------------|------|-----------------|
| 150 | 130-1411 | 3 | Plug-Glow |
| 160 | 110-3784 | 1 | Cord-Plug, Glow |
| 170 | 99-8377 | 3 | Nut-Flange |
| 190 | 110-3785 | 1 | Fuel Tube ASM |
| 200 | 110-3786 | 1 | Tube-Fuel |
| 210 | 98-7671 | 2 | Clip-Pipe |
| 220 | 110-3787 | 1 | Fuel Tube ASM |
| 230 | 110-3788 | 1 | Tube-Fuel |
| 240 | 98-7671 | 2 | Clip-Pipe |
| 250 | 112-8338 | 1 | Pipe-Joint, T |
| 260 | 110-3790 | 1 | Fuel Tube ASM |
| 270 | 110-3791 | 1 | Tube-Fuel |
| 280 | 98-7671 | 2 | Clip-Pipe |



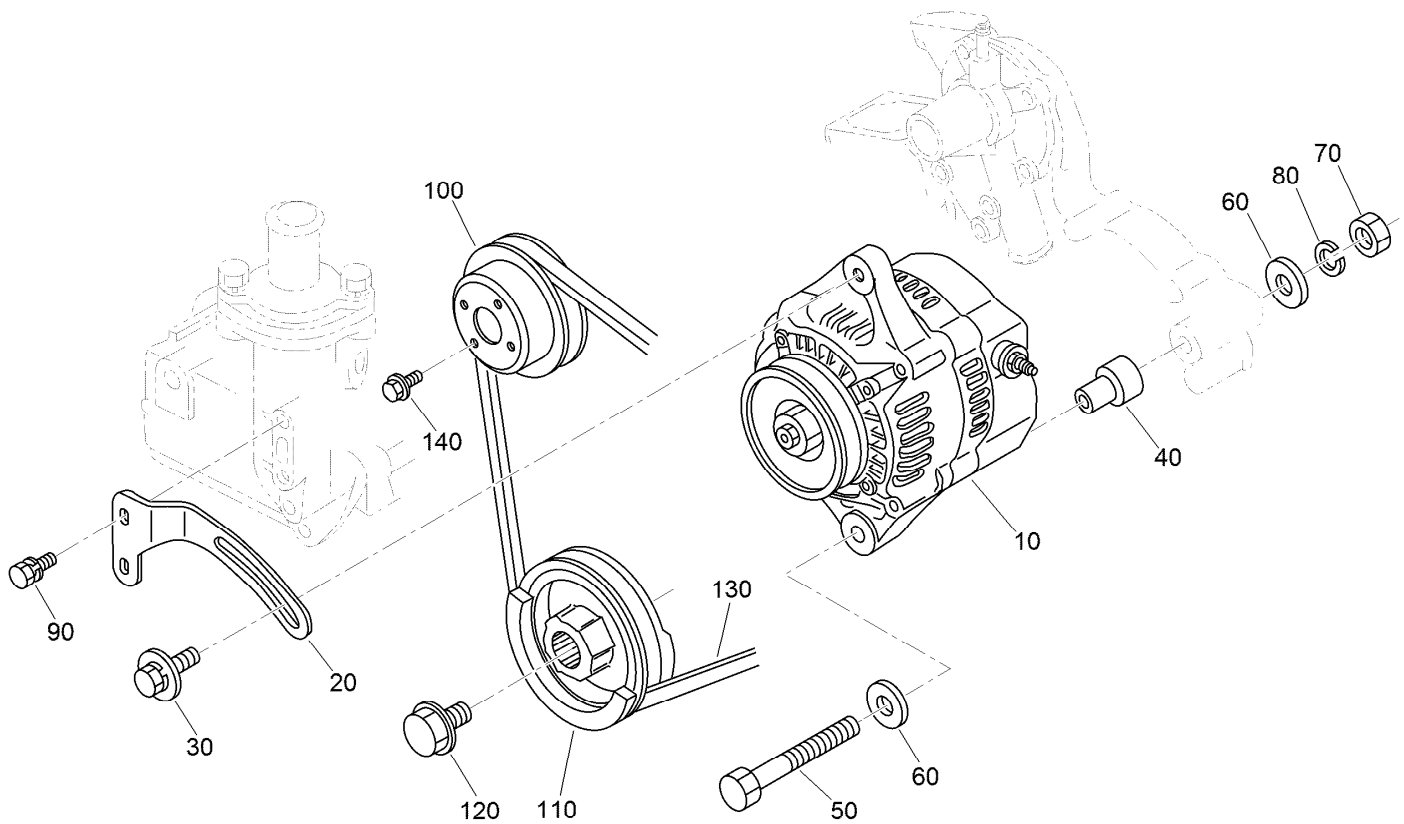
Nozzle Holder and Glow Plug Assembly (continued)

Nozzle Holder Assembly



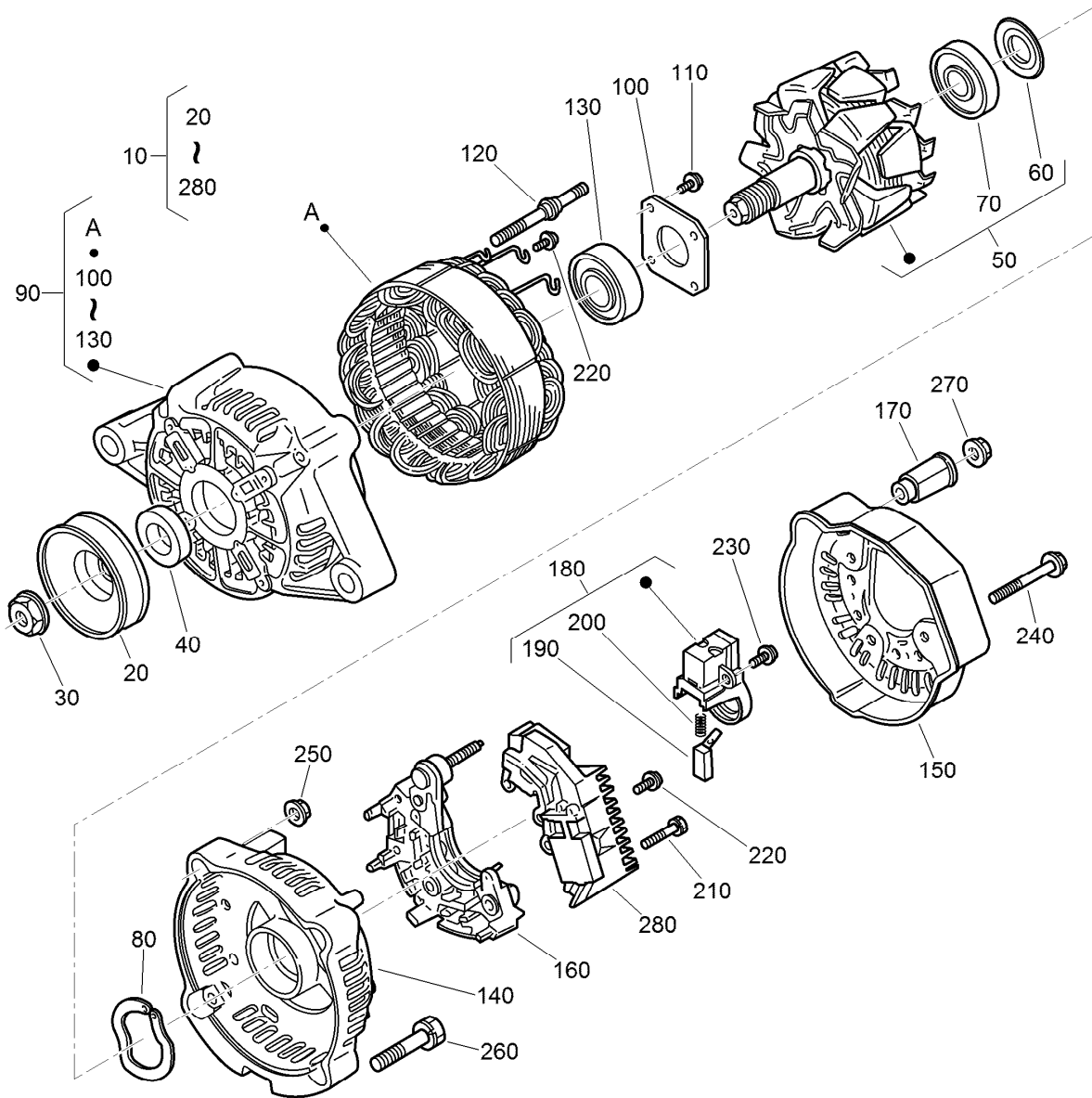
Nozzle Holder Assembly (continued)

| <i>Ref.</i> | <i>Part Number</i> | <i>Qty.</i> | <i>Description</i> | <i>Ref.</i> | <i>Part Number</i> | <i>Qty.</i> | <i>Description</i> |
|-------------|--------------------|-------------|----------------------------|-------------|--------------------|-------------|----------------------------|
| 5 | 130-1305 | 3 | Nozzle Holder Kit | 110 | 98-7860 | 3 | Washer-Adjusting (1.400MM) |
| 10 | 130-1303 | 3 | Nozzle Holder ASM | 110 | 98-7861 | 3 | Washer-Adjusting (1.425MM) |
| 20 | 121-2411 | 3 | Nut | 110 | 98-7862 | 3 | Washer-Adjusting (1.450MM) |
| 30 | 99-8302 | 3 | Washer-Adjusting | 110 | 98-7863 | 3 | Washer-Adjusting (1.475MM) |
| 40 | 99-8303 | 3 | Spring-Nozzle | 110 | 98-7864 | 3 | Washer-Adjusting (1.500MM) |
| 50 | 99-8304 | 3 | Spacer-Distance | 110 | 98-7865 | 3 | Washer-Adjusting (1.525MM) |
| 60 | 99-8305 | 3 | Rod-Push | 110 | 98-7866 | 3 | Washer-Adjusting (1.550MM) |
| 70 | 130-1304 | 3 | Nut-Nozzle | 110 | 98-7867 | 3 | Washer-Adjusting (1.575MM) |
| 80 | 99-8307 | 3 | Washer-Plain | 110 | 98-7868 | 3 | Washer-Adjusting (1.600MM) |
| 90 | 130-1497 | 3 | Nozzle-Piece | 110 | 98-7869 | 3 | Washer-Adjusting (1.625MM) |
| 100 | 98-9448 | 3 | Adjusting Washer ASM | 110 | 98-7870 | 3 | Washer-Adjusting (1.650MM) |
| 110 | 98-7642 | 3 | Washer-Adjusting (0.900Mm) | 110 | 98-7871 | 3 | Washer-Adjusting (1.675MM) |
| 110 | 98-7841 | 3 | Washer-Adjusting (0.925Mm) | 110 | 98-7872 | 3 | Washer-Adjusting (1.700MM) |
| 110 | 98-7842 | 3 | Washer-Adjusting (0.950Mm) | 110 | 98-7873 | 3 | Washer-Adjusting (1.725MM) |
| 110 | 98-7843 | 3 | Washer-Adjusting (0.975Mm) | 110 | 98-7874 | 3 | Washer-Adjusting (1.750MM) |
| 110 | 98-7844 | 3 | Washer-Adjusting (1.000Mm) | 110 | 98-7875 | 3 | Washer-Adjusting (1.775MM) |
| 110 | 98-7845 | 3 | Washer-Adjusting (1.025Mm) | 110 | 98-7876 | 33 | Washer-Adjusting (1.800MM) |
| 110 | 98-7846 | 3 | Washer-Adjusting (1.050Mm) | 110 | 98-7877 | 3 | Washer-Adjusting (1.825MM) |
| 110 | 98-7847 | 3 | Washer-Adjusting (1.075MM) | 110 | 98-7878 | 3 | Washer-Adjusting (1.850MM) |
| 110 | 98-7848 | 3 | Washer-Adjusting (1.100MM) | 110 | 98-7879 | 3 | Washer-Adjusting (1.875MM) |
| 110 | 98-7849 | 3 | Washer-Adjusting (1.125MM) | 110 | 98-7880 | 3 | Washer-Adjusting (1.900MM) |
| 110 | 98-7850 | 3 | Washer-Adjusting (1.150MM) | 110 | 98-7881 | 3 | Washer-Adjusting (1.925MM) |
| 110 | 98-7851 | 3 | Washer-Adjusting (1.175MM) | 110 | 98-7882 | 3 | Washer-Adjusting (1.950MM) |
| 110 | 98-7852 | 3 | Washer-Adjusting (1.200MM) | 120 | 98-7676 | 3 | Gasket |
| 110 | 98-7853 | 3 | Washer-Adjusting (1.225MM) | 130 | 98-7677 | 3 | Seal-Heat |
| 110 | 98-7854 | 3 | Washer-Adjusting (1.250MM) | | | | |
| 110 | 98-7855 | 3 | Washer-Adjusting (1.275MM) | | | | |
| 110 | 98-7856 | 3 | Washer-Adjusting 1.300MM) | | | | |
| 110 | 98-7857 | 3 | Washer-Adjusting (1.325MM) | | | | |
| 110 | 98-7858 | 3 | Washer-Adjusting (1.350MM) | | | | |
| 110 | 98-7859 | 3 | Washer-Adjusting (1.375MM) | | | | |



Alternator and Pulley Assembly

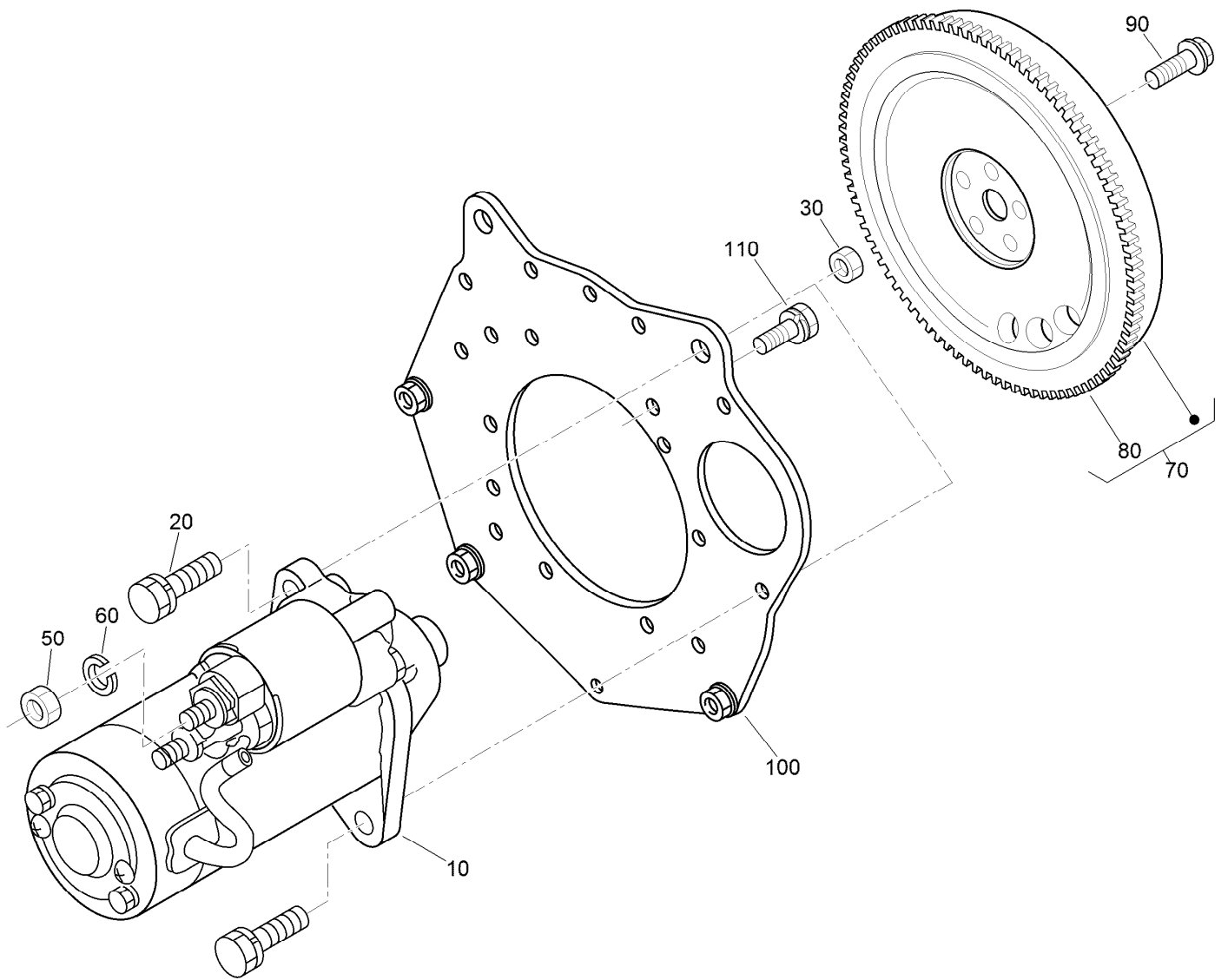
| Ref. | Part Number | Qty. | Description |
|------|-------------|------|-------------------------|
| 10 | 98-9474 | 1 | Alternator ASM |
| 20 | 121-2412 | 1 | Stay-Alternator |
| 30 | 121-2413 | 1 | Bolt |
| 40 | 110-3794 | 1 | Collar |
| 50 | 121-2418 | 1 | Bolt-Hex |
| 60 | 120-5832 | 2 | Washer-Plain |
| 70 | 98-7534 | 1 | Nut |
| 80 | 105-2893 | 1 | Washer-Spring |
| 90 | 98-7692 | 2 | Bolt |
| 100 | 100-1921 | 1 | Pulley-Fan |
| 110 | 130-1487 | 1 | *obs* Pulley-Drive, Fan |
| 120 | 100-1978 | 1 | Bolt |
| 130 | 119-4486 | 1 | Belt-V, Fan |
| 140 | 99-8363 | 4 | Bolt-Flange |



Alternator Components Assembly

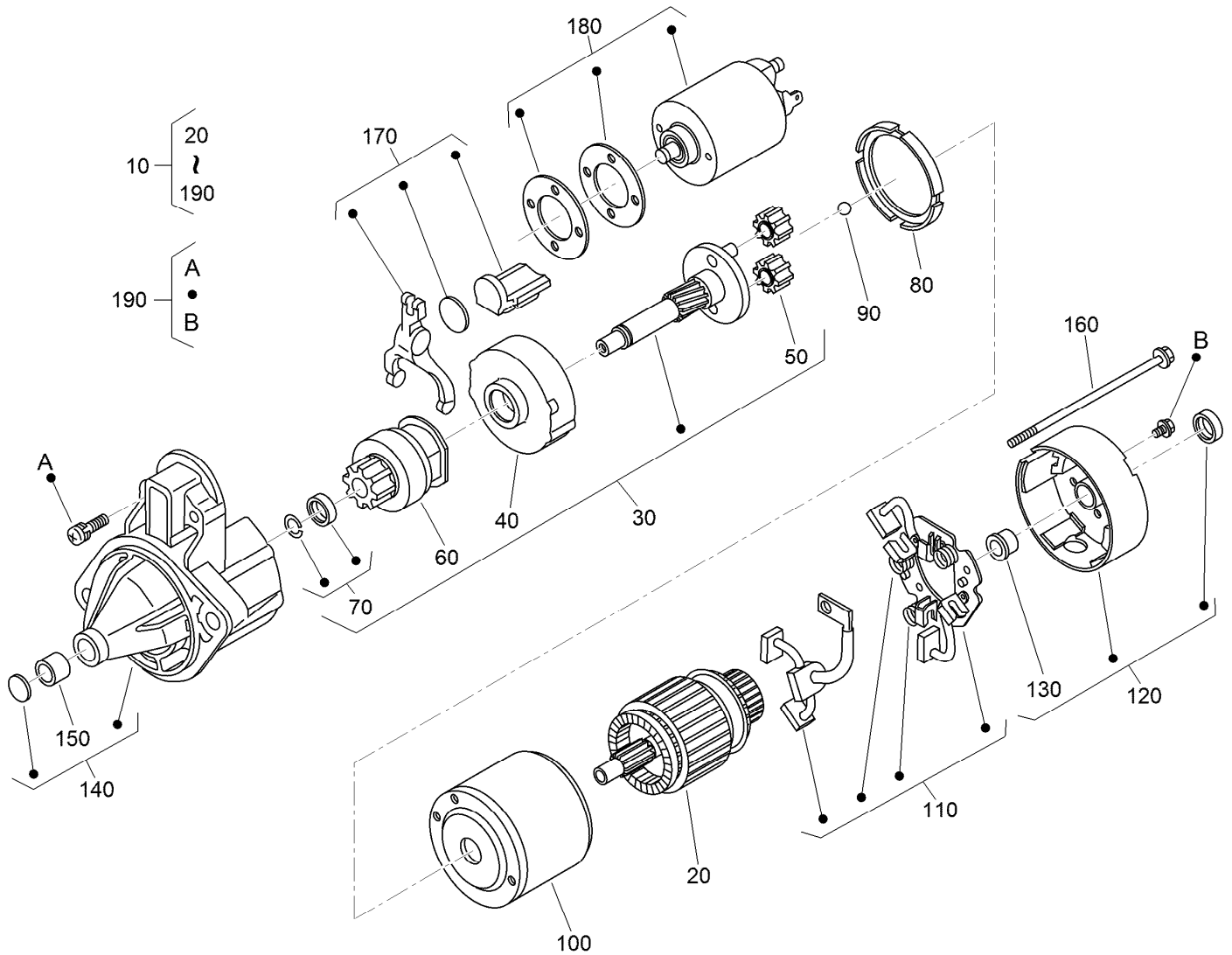
| Ref. | Part Number | Qty. | Description |
|------|-------------|------|---------------------|
| 10 | 98-9474 | 1 | Alternator ASM |
| 20 | 98-9453 | 1 | Pulley-Dynamo |
| 30 | 98-7708 | 1 | Nut |
| 40 | 98-7709 | 1 | Collar |
| 50 | 107-0136 | 1 | Rotor ASM |
| 60 | 98-7711 | 1 | Cover-Bearing |
| 70 | 107-0138 | 1 | Bearing-Ball |
| 80 | 98-7713 | 1 | Washer-Thrust |
| 90 | 107-0139 | 1 | Drive End Frame ASM |
| 100 | 98-7715 | 1 | Plate-Retainer |
| 110 | 98-7716 | 4 | Screw-Head, Round |
| 120 | 98-7717 | 2 | Bolt-Through |
| 130 | 107-0137 | 1 | Bearing-Ball |
| 140 | 107-9087 | 1 | Frame-End |

| Ref. | Part Number | Qty. | Description |
|------|-------------|------|--------------------|
| 150 | 107-0140 | 1 | Cover-End |
| 160 | 127-1612 | 1 | Rectifier ASM |
| 170 | 98-7722 | 1 | Bushing-Insulation |
| 180 | 107-0141 | 1 | Brush Holder ASM |
| 190 | 98-7724 | 2 | Brush |
| 200 | 98-7725 | 2 | Spring-Brush |
| 210 | 98-7726 | 2 | Screw-Head, Round |
| 220 | 98-7727 | 6 | Screw-Head, Round |
| 230 | 98-7728 | 1 | Screw-Head, Round |
| 240 | 98-7729 | 3 | Bolt |
| 250 | 98-7730 | 2 | Nut |
| 260 | 98-7731 | 2 | Bolt |
| 270 | 98-7732 | 1 | Nut |
| 280 | 110-3799 | 1 | Regulator ASM |



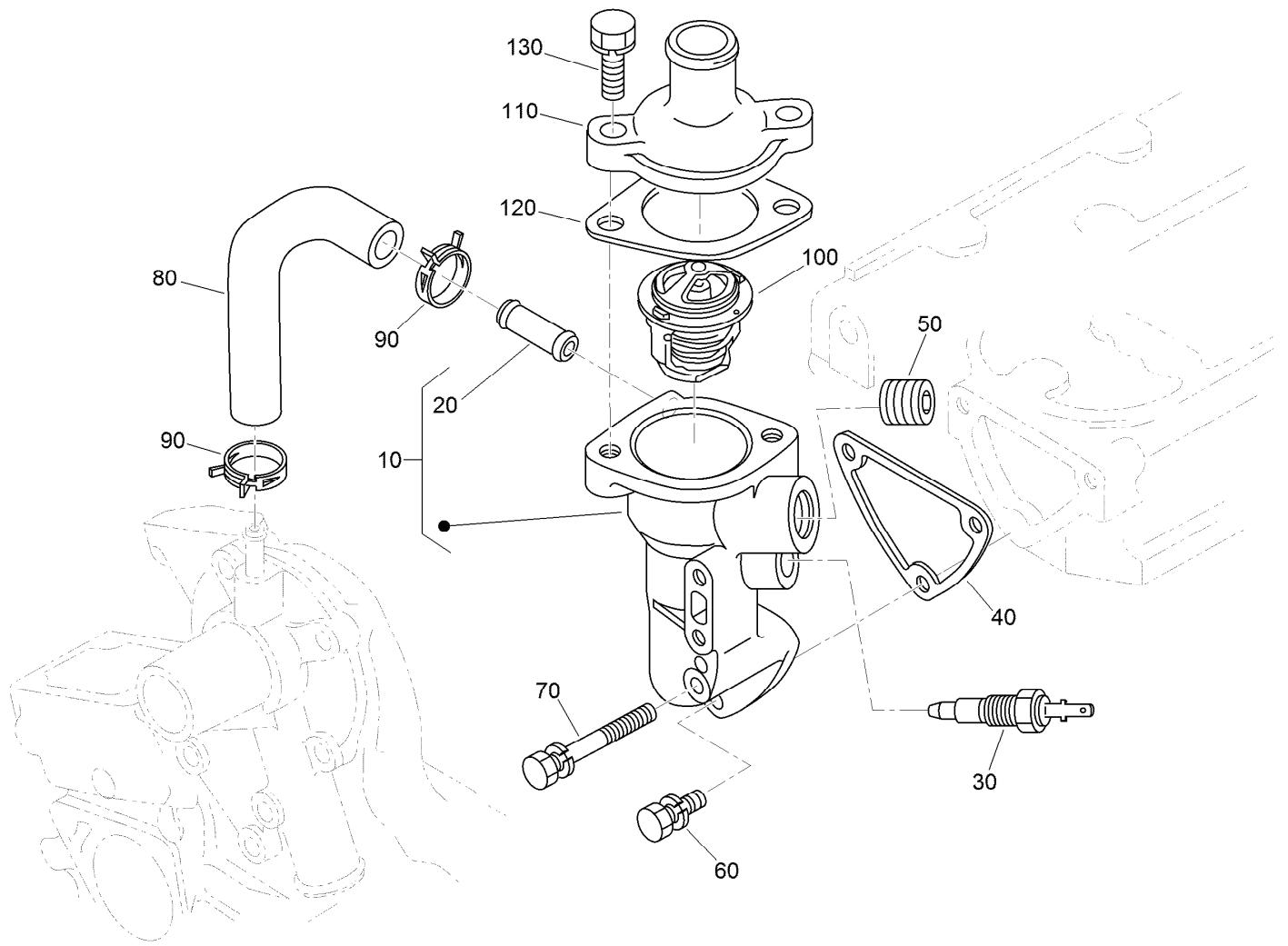
Starter and Flywheel Assembly

| Ref. | Part Number | Qty. | Description |
|------|-------------|------|-----------------|
| 10 | 130-1294 | 1 | Starter ASM |
| 20 | 98-7697 | 2 | Bolt |
| 30 | 98-7534 | 2 | Nut |
| 50 | 98-7534 | 1 | Nut |
| 60 | 105-2893 | 1 | Washer-Spring |
| 70 | 130-1369 | 1 | Flywheel ASM |
| 80 | 127-1604 | 1 | Gear-Ring |
| 90 | 100-1930 | 5 | Bolt-Flywheel |
| 100 | 120-3130 | 1 | Plate-End, Rear |
| 110 | 110-3754 | 10 | Bolt |



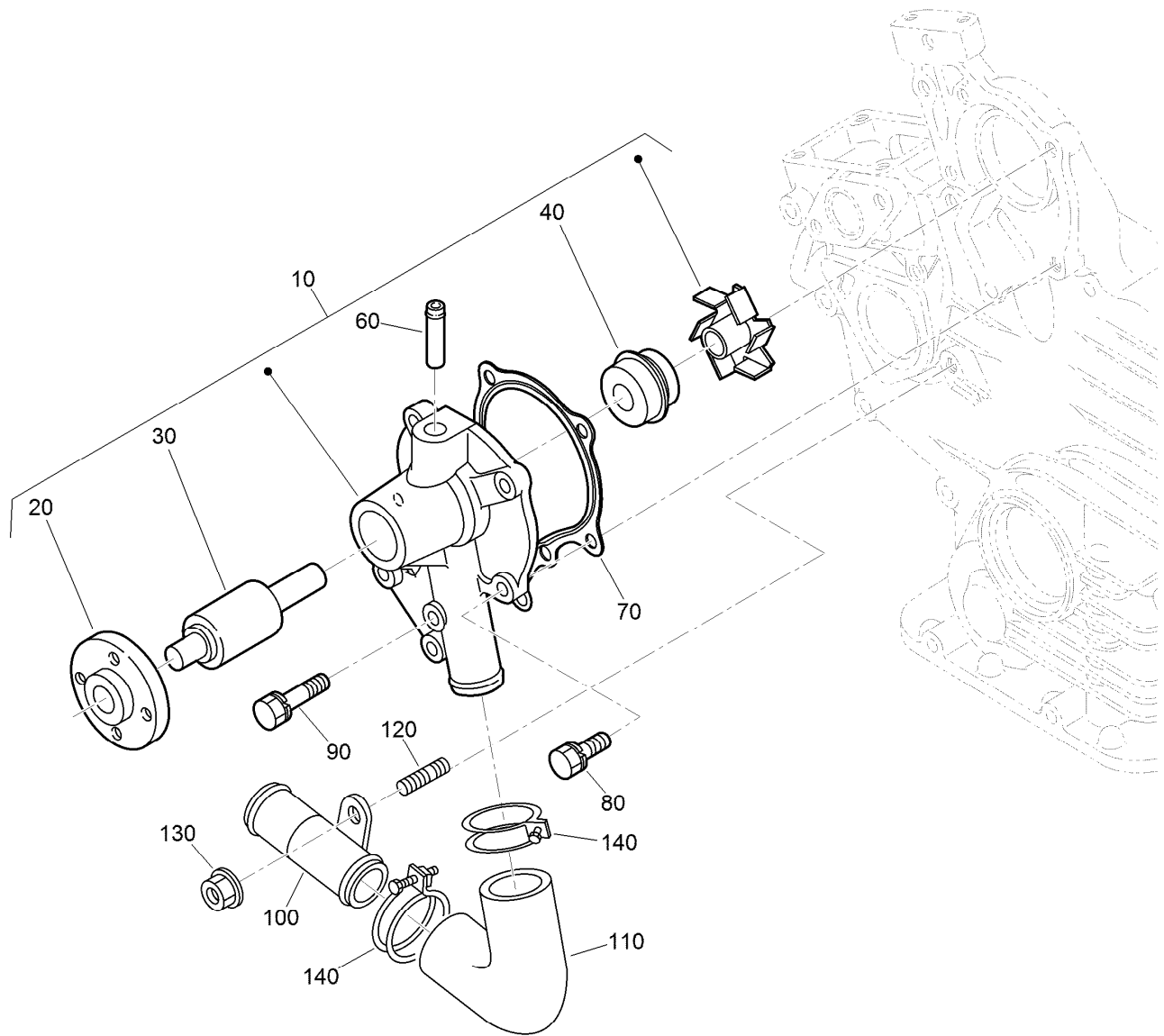
Starter Component Assembly

| <i>Ref.</i> | <i>Part Number</i> | <i>Qty.</i> | <i>Description</i> | <i>Ref.</i> | <i>Part Number</i> | <i>Qty.</i> | <i>Description</i> |
|-------------|--------------------|-------------|----------------------|-------------|--------------------|-------------|--------------------|
| 10 | 130-1294 | 1 | Starter ASM | 110 | 110-3810 | 1 | Brush Holder ASM |
| 20 | 110-3801 | 1 | Armature | 120 | 110-3811 | 1 | Rear Bracket ASM |
| 30 | 110-3802 | 1 | Shaft ASM | 130 | 110-3812 | 1 | Bushing |
| 40 | 120-3142 | 1 | Gear-Internal | 140 | 110-3813 | 1 | Front Bracket ASM |
| 50 | 110-3804 | 3 | Gear-Planetary | 150 | 110-3814 | 1 | Bushing |
| 60 | 110-3805 | 1 | Clutch-Running, Over | 160 | 110-3815 | 2 | Bolt |
| 70 | 110-3806 | 1 | Stopper | 170 | 110-3816 | 1 | Fork Lever ASM |
| 80 | 120-3143 | 1 | Gasket | 180 | 125-9099 | 1 | Switch-Magnetic |
| 90 | 110-3808 | 1 | Ball | 190 | 110-3818 | 2 | Screws (Set Of 4) |
| 100 | 130-1295 | 1 | Yoke | | | | |



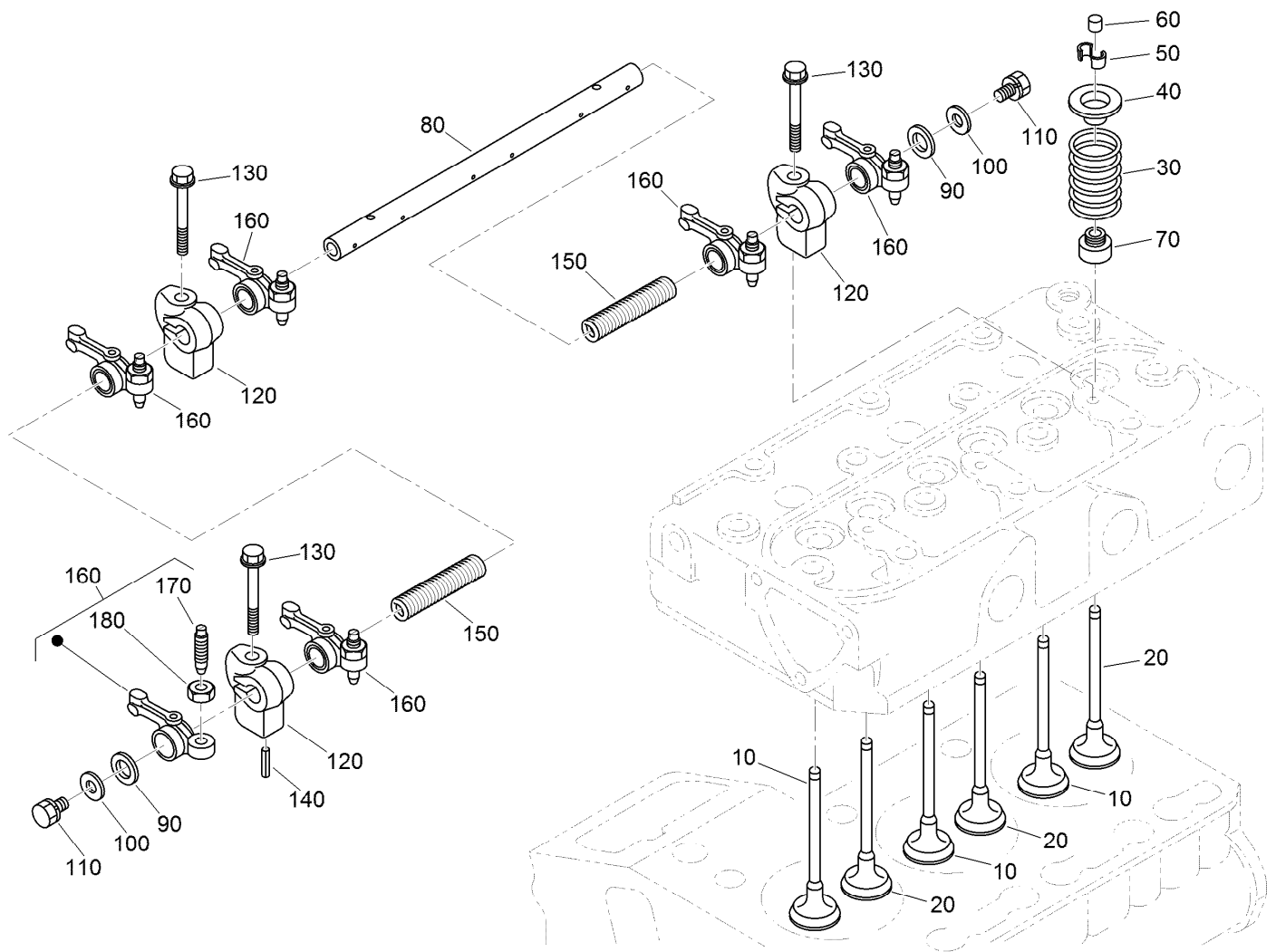
Water Flange and Thermostat Assembly

| <i>Ref.</i> | <i>Part Number</i> | <i>Qty.</i> | <i>Description</i> |
|-------------|--------------------|-------------|----------------------|
| 10 | 121-2414 | 1 | Water Flange ASM |
| 20 | 98-9580 | 1 | Pipe-Return, Water |
| 30 | 100-1983 | 1 | Thermo-Switch |
| 40 | 110-3820 | 1 | Gasket-Flange, Water |
| 50 | 105-2874 | 1 | Plug |
| 60 | 98-7692 | 2 | Bolt |
| 70 | 125-9063 | 1 | Bolt-Sems |
| 80 | 100-2017 | 1 | Pipe-Return, Water |
| 90 | 125-9078 | 2 | Clamp-Hose |
| 100 | 98-7778 | 1 | Thermostat ASM |
| 110 | 121-2415 | 1 | Cover-Thermostat |
| 120 | 105-3748 | 1 | Gasket-Thermostat |
| 130 | 98-7438 | 2 | Bolt |



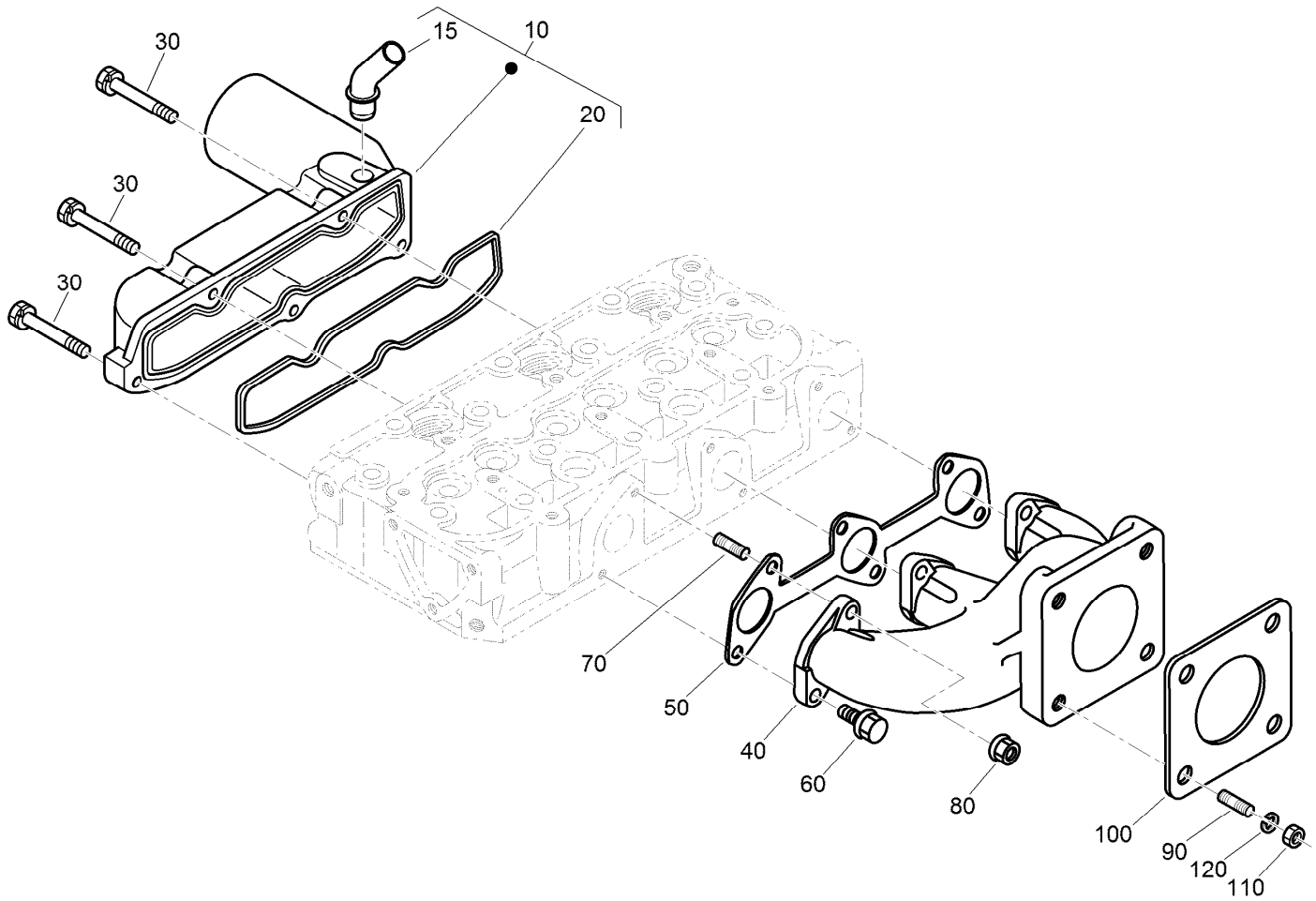
Water Pump and Water Pipe Assembly

| <i>Ref.</i> | <i>Part Number</i> | <i>Qty.</i> | <i>Description</i> |
|-------------|--------------------|-------------|---------------------|
| 10 | 127-1607 | 1 | Water Pump ASM |
| 20 | 125-9081 | 1 | Flange-Pump, Water |
| 30 | 100-1934 | 1 | Bearing-Ball |
| 40 | 99-3518 | 1 | Water Pump Seal ASM |
| 60 | 100-1932 | 1 | Pipe-Return, Water |
| 70 | 117-8846 | 1 | Gasket-Pump, Water |
| 80 | 100-1750 | 4 | Bolt |
| 90 | 100-1764 | 1 | Bolt |
| 100 | 112-2835 | 1 | Pipe-Water |
| 110 | 112-2836 | 1 | Hose-Water |
| 120 | 100-1924 | 1 | Stud |
| 130 | 100-2203 | 1 | Nut-Flange |
| 140 | 110-3828 | 2 | Band-Pipe |



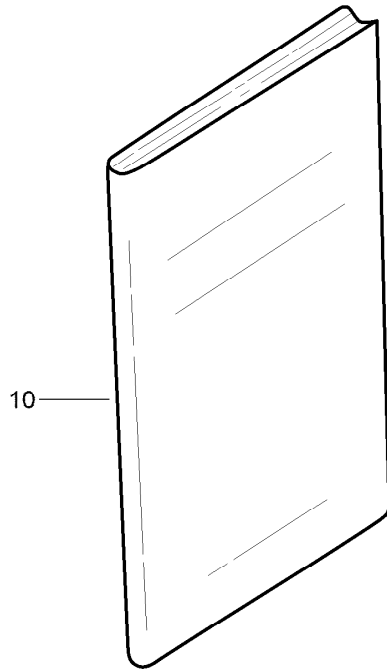
Valve and Rocker Arm Assembly

| Ref. | Part Number | Qty. | Description | Ref. | Part Number | Qty. | Description |
|------|-------------|------|------------------------|------|-------------|------|---------------------|
| 10 | 112-2514 | 3 | Valve-Inlet | 100 | 110-3832 | 2 | Washer-Plain |
| 20 | 112-2515 | 3 | Valve-Exhaust | 110 | 100-1762 | 2 | Bolt |
| 30 | 100-1823 | 6 | Spring-Valve | 120 | 110-3833 | 3 | Bracket-Arm, Rocker |
| 40 | 100-1825 | 6 | Retainer-Spring, Valve | 130 | 110-3834 | 3 | Bolt-Flange |
| 50 | 120-3136 | 6 | Collet-Spring, Valve | 140 | 98-7602 | 1 | Pin-Spring |
| 60 | 100-2155 | 6 | Cap-Valve | 150 | 112-8342 | 2 | Spring |
| 70 | 100-1797 | 6 | Seal-Stem, Valve | 160 | 100-1884 | 6 | Rocker Arm ASM |
| 80 | 112-8341 | 1 | Shaft-Arm, Rocker | 170 | 100-1885 | 6 | Screw-Adjusting |
| 90 | 100-2044 | 2 | Washer | 180 | 100-1827 | 6 | Nut |



Inlet and Exhaust Manifold Assembly

| <i>Ref.</i> | <i>Part Number</i> | <i>Qty.</i> | <i>Description</i> |
|-------------|--------------------|-------------|--------------------------|
| 10 | 120-3141 | 1 | Intake Manifold ASM |
| 15 | 121-2417 | 1 | Pipe-Breather |
| 20 | 110-3838 | 1 | Gasket-Manifold, Intake |
| 30 | 98-9352 | 5 | Bolt |
| 40 | 110-3839 | 1 | Manifold-Exhaust |
| 50 | 110-3840 | 1 | Gasket-Manifold, Exhaust |
| 60 | 130-1514 | 3 | Bolt-Ubs |
| 70 | 130-1156 | 3 | Bolt-Stud |
| 80 | 100-1778 | 3 | Nut |
| 90 | 98-7769 | 4 | Stud |
| 100 | 99-8343 | 1 | Gasket-Muffler |
| 110 | 98-7534 | 4 | Nut |
| 120 | 105-2893 | 4 | Washer-Spring |



Miscellaneous Engine Parts

| <i>Ref.</i> | <i>Part Number</i> | <i>Qty.</i> | <i>Description</i> |
|-------------|--------------------|-------------|--------------------|
| 10 | 130-1513 | 1 | Manual-Operator |

Attachments and Accessories

For 04384 Greensmaster 3250-D 2-Wheel Drive Traction Unit

| Product Name | Model/Part |
|--|-------------------|
| Turf Evaluator | 04399 |
| CE Guard Kit..... | 04441 |
| Three-Wheel Drive Kit without ROPS | 04477 |
| Dethatching Unit | 04479 |
| Spiker Kit | 04494 |
| Tri-Roller Kit..... | 04495 |
| Leak Detector Kit | 04497 |
| Light Kit..... | 04554 |
| 8-Blade DPA Reel Mower | 04618 |
| 11-Blade DPA Reel Mower | 04619 |
| 14-Blade DPA Reel Mower | 04624 |
| Hose Adapter Kit..... | 100-6430 |
| Weight Kit, Greensmaster and Sand Pro/Infield Pro Traction Unit..... | 100-6442 |
| Oil Cooler Kit..... | 104-7701 |
| Ground-Following Suspension Kit | 104-9400 |
| Radiator Screen Kit..... | 105-9766 |
| Premium All Season Hydraulic Fluid (55 Gallon Drum) | 108-1177 |
| Premium All Season Hydraulic Fluid (5 Gallon Pail)..... | 108-1178 |
| Filter-Air | 108-3811 |
| Seperator Filter ASM | 110-9044 |
| Bimini Folding Shade Assembly | 115-4510 |
| Wireless Hourmeter | 115-4754 |
| Filter-Oil, Engine..... | 115-8189 |
| Hydraulic Hose Kit | 117-2721 |
| Premium Synthetic Bio-Degradable Hydraulic Fluid (5 Gallon Pail) | 119-2157 |
| Premium Synthetic Bio-Degradable Hydraulic Fluid (55 Gallon Drum)..... | 119-2158 |
| Spark Arrester Kit | 120-1951 |
| Premium Engine Oil 10w30 (55 Gallon Drum) | 121-6392 |
| Premium Engine Oil 10w30 (5 Gallon Pail) | 121-6393 |
| Toro Reel Paper (10 Pack)..... | 125-5610 |
| Toro Reel Shim (0.002in) | 125-5611 |
| MVP Filter Kit..... | 30086 |
| Arm Rest Kit..... | 30707 |
| Height-of-Cut Bar..... | 94-9010 |
| Weight Kit, Greensmaster 3100, 3150 or 3250-D Traction Unit with Three-Wheel Drive | 99-1645 |
| Tire-TURFMATE | 99-4506 |



Count on it.