



Count on it.

Parts Catalog

ProCore® 1298 Aerator

Model No. 09716—Serial No. 403289001 and Up



Ordering Replacement Parts

To order replacement parts, please supply the part number, the quantity, and the description of each part desired.

Understanding Reference Numbers

Each identified part in an illustration has a reference number. The reference number for a part also appears in the parts list, along with other information about the part.

This catalog uses two special reference number formats, one to indicate parts in a service assembly and another to indicate the quantity of a given part in an illustration.

Service Assembly Reference Numbers

Parts in service assemblies have reference numbers in the form a:b. The a represents the reference number of the entire service assembly and the b represents a sequential number unique to each part within the service assembly.

For example, a wheel assembly might be identified by reference number 6, the tire by 6:1, the valve by 6:2, and the wheel by 6:3. When you order the assembly identified by reference number 6, you receive all parts identified by reference numbers 6:1, 6:2, and 6:3. However, you may also order any part individually. Reference numbers of this type appear in illustration and in parts lists.

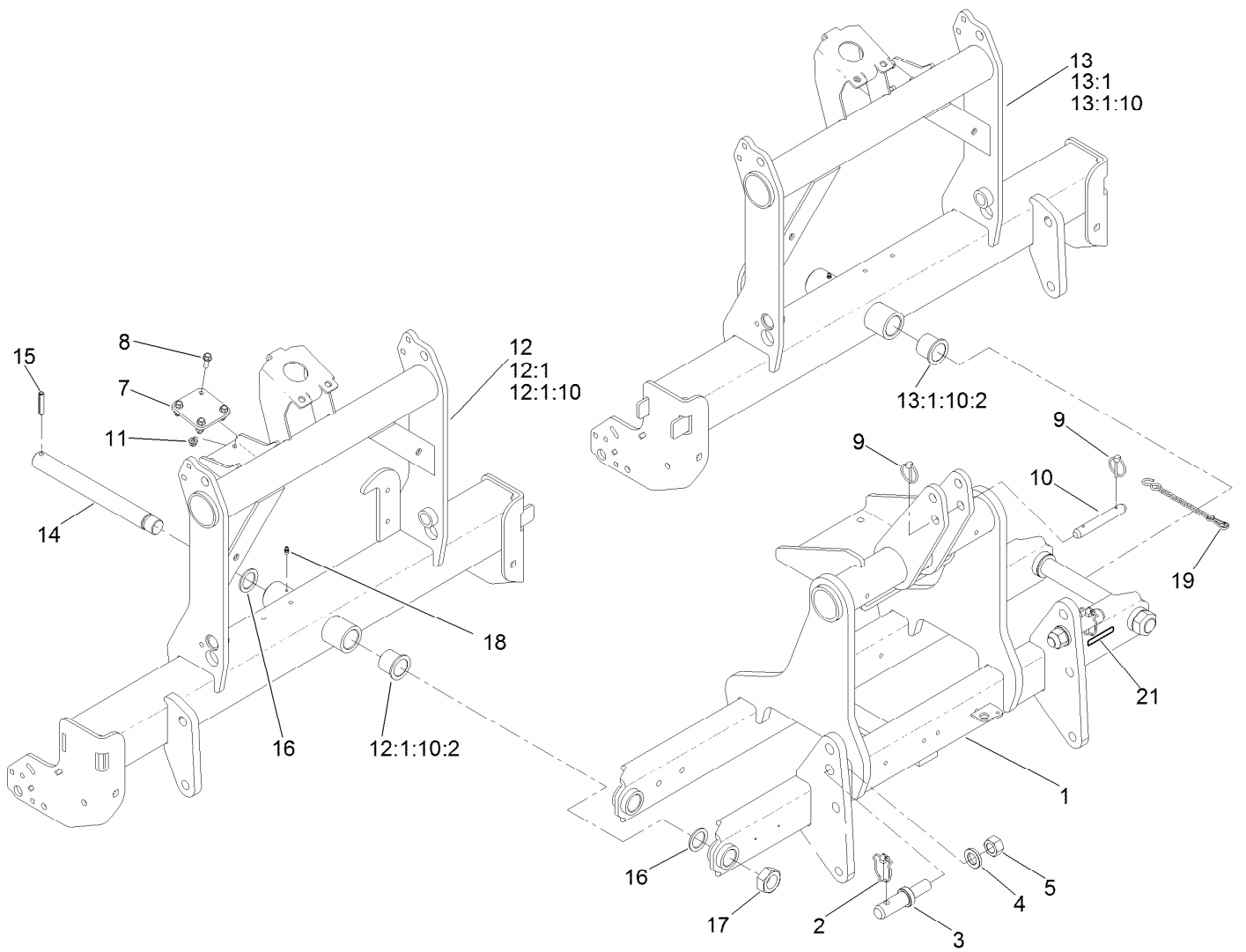
Reference Numbers Indicating Quantity

In an illustration, if a reference number indicates more than one part, the reference number has the form nX y. The n represents the quantity of the part, the X is the multiplication symbol, and the y represents the reference number.

For example, in an illustration, the reference number 2X 37 means that two of the parts identified by reference number 37 are indicated.

Contents

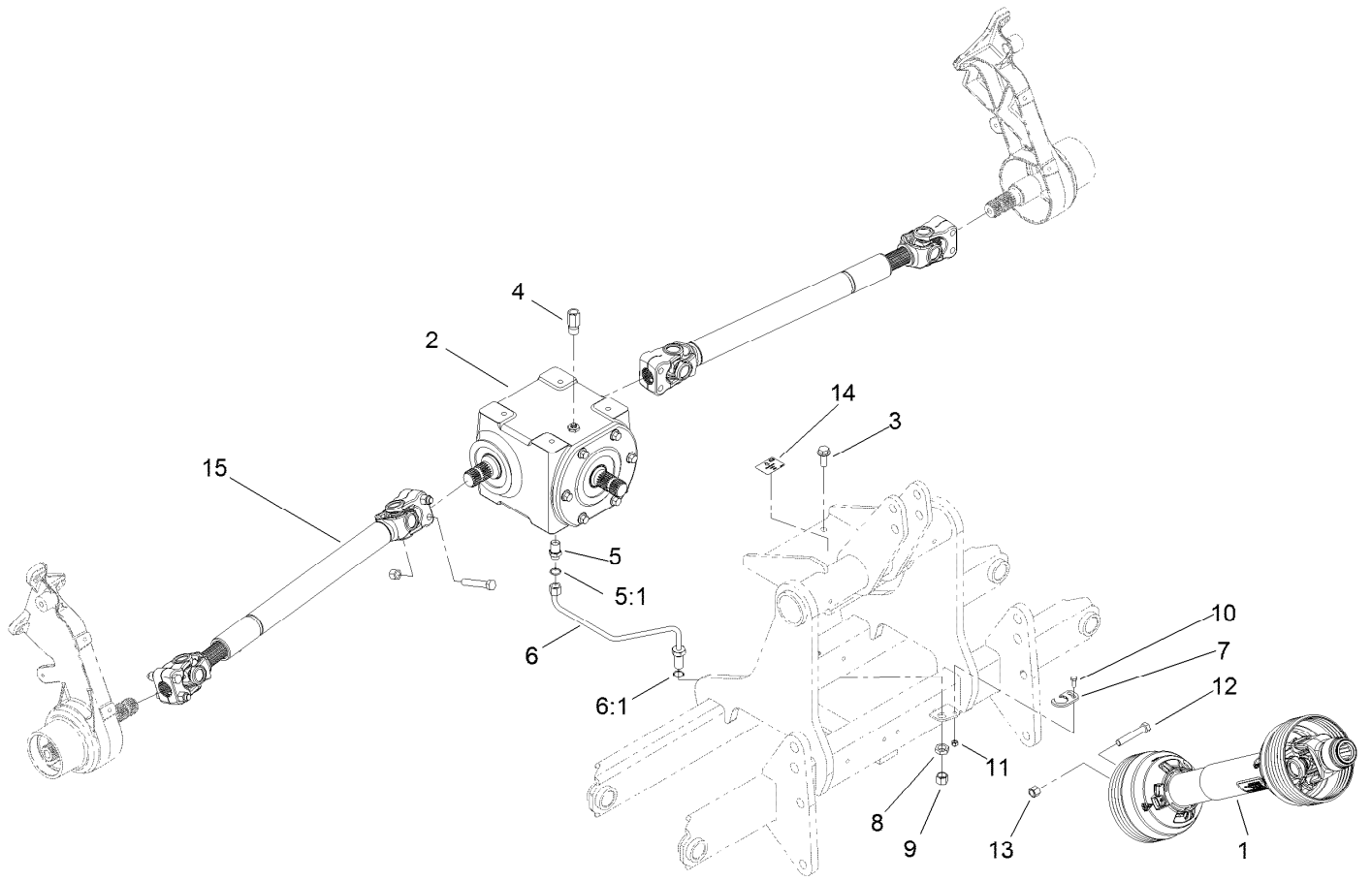
Frame Assembly.....	4
Gearbox and Driveline Assembly.....	5
Shielded Drive Shaft Assembly No. 110-4283.....	6
Gearbox Assembly No. 110-4565.....	7
Drive Shaft Assembly No. 110-4586.....	8
Right Hand Roller and Scraper Assembly.....	9
Left Hand Roller and Scraper Assembly.....	10
Right Hand Belt Drive Assembly.....	11
Left Hand Belt Drive Assembly.....	12
Left Hand H-Frame Assembly.....	13
Depth Control Assembly No. 115-2844.....	14
Left Hand H-Frame Assembly.....	15
Right Hand No. 1 and No. 2 Crankarm Assembly.....	16
Right Hand No. 3 and No. 4 Crankarm Assembly.....	17
Right Hand No. 5 and No. 6 Crankarm Assembly.....	18
Left Hand No. 1 and No. 2 Crankarm Assembly.....	19
Left Hand No. 3 and No. 4 Crankarm Assembly.....	20
Left Hand No. 5 and No. 6 Crankarm Assembly.....	21
Roto-Link Damper Assembly.....	22
Left Hand Turf Guard Assembly.....	23
Left Hand Turf Guard Assembly.....	24
Right Hand Front Cover Assembly.....	25
Left Hand Front Cover Assembly.....	26
Right Hand Rear Cover Assembly.....	27
Left Hand Rear Cover Assembly.....	28
Storage Stand Assembly.....	29
Cover Latch Assembly.....	30
Attachments and Accessories.....	31



Frame Assembly

Ref.	Part Number	Qty.	Description	Ref.	Part Number	Qty.	Description
1	110-4202-03	1	Mast-Hitch, 3-Point	12:1:10:2	69-6470	2	Bushing-Caster
2	3290-384	2	Pin-Lynch	13	110-4210-01	1	LH Subframe ASM
3	110-4314	2	Pin-Link, Cat 2	13:1		1	Subframe-LH ●
4	120-5576	2	Washer-Hardened	13:1:10		1	Hub ASM ●
5	3219-18	2	Nut-Hex	13:1:10:2	69-6470	2	Bushing-Caster
7	110-4440	2	Pad	14	71-2590	2	Shaft-Pivot
8	3234-17	8	Screw-HHF	15	32121-110	2	Pin-Roll, Slotted
9	92-1298	2	Pin-Lynch	16	256-304	4	Washer-Thrust
10	92-1233	1	Pin-Clevis	17	3296-68	2	Nut-Lock, NI
11	104-8300	8	Nut-HF, NI	18	302-5	2	Fitting-Grease
12	110-4209-01	1	RH Subframe ASM	19	110-4679	1	Chain-Storage, Driveline
12:1		1	Subframe-RH ●	21	133-8061	1	Decal-Warning
12:1:10		1	Hub ASM ●				

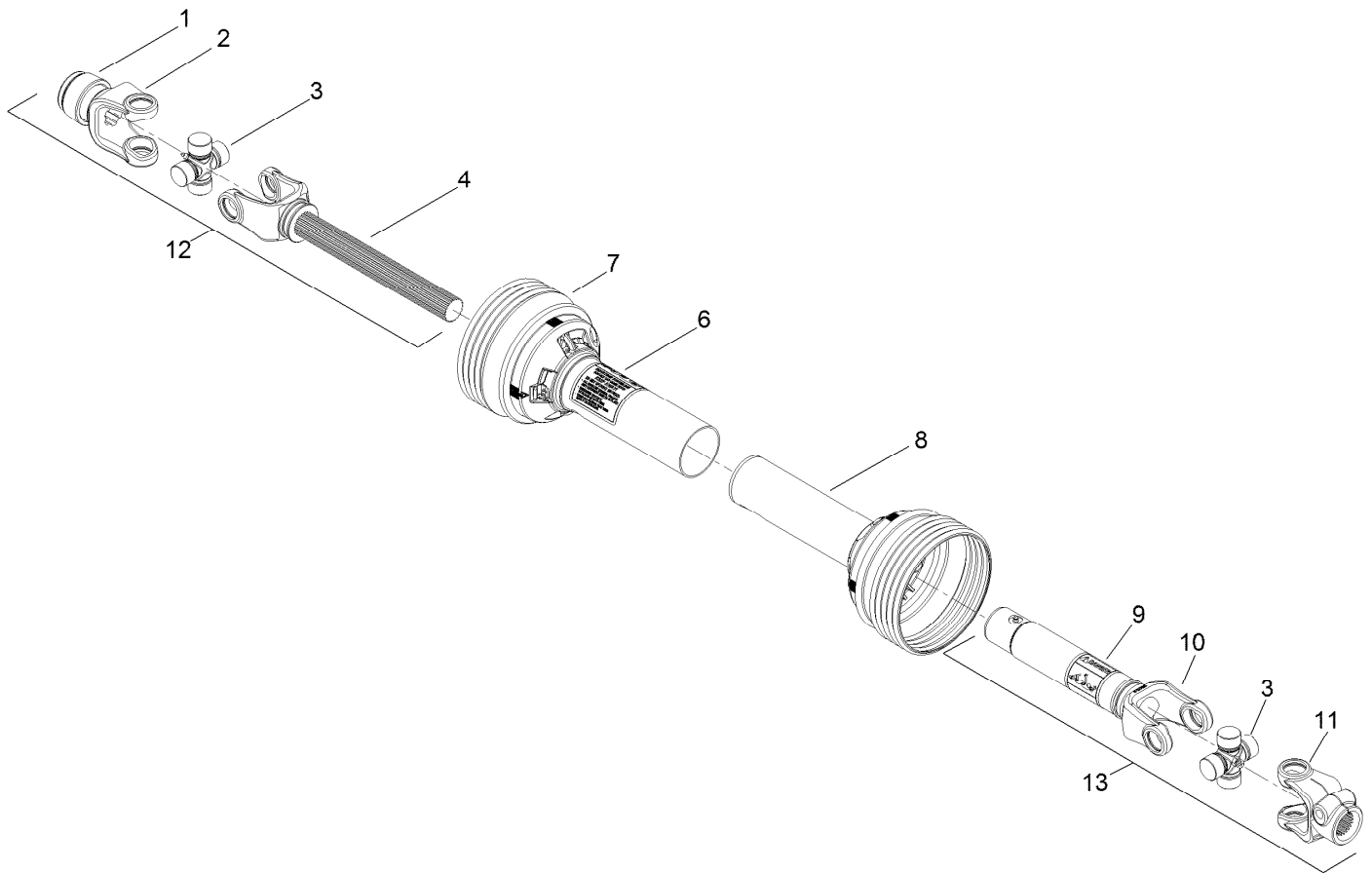
● Not serviced separately



Gearbox and Driveline Assembly

<i>Ref.</i>	<i>Part Number</i>	<i>Qty.</i>	<i>Description</i>
1	110-4283	1	Shielded Driveshaft ASM
2	110-4565	1	Gearbox-T
3	3234-38	4	Screw-HHF
4	110-4590	1	Fitting-Reducer
5	340-124	1	Adapter
5:1	237-22	1	O-Ring
6	110-4336	1	Tube ASM
6:1	237-22	1	O-Ring
7	110-4553	1	Keeper-Hardline

<i>Ref.</i>	<i>Part Number</i>	<i>Qty.</i>	<i>Description</i>
8	340-70	1	Nut-Lock
9	340-117	1	Cap
10	3229-1	1	Screw-CARR
11	3296-42	1	Nut-Lock, NI
12	325-12	9	Screw-HH
13	3296-23	9	Nut-Lock, NI
14	110-4665	1	Decal-Service, Oil
15	110-4586	2	Drive Shaft ASM

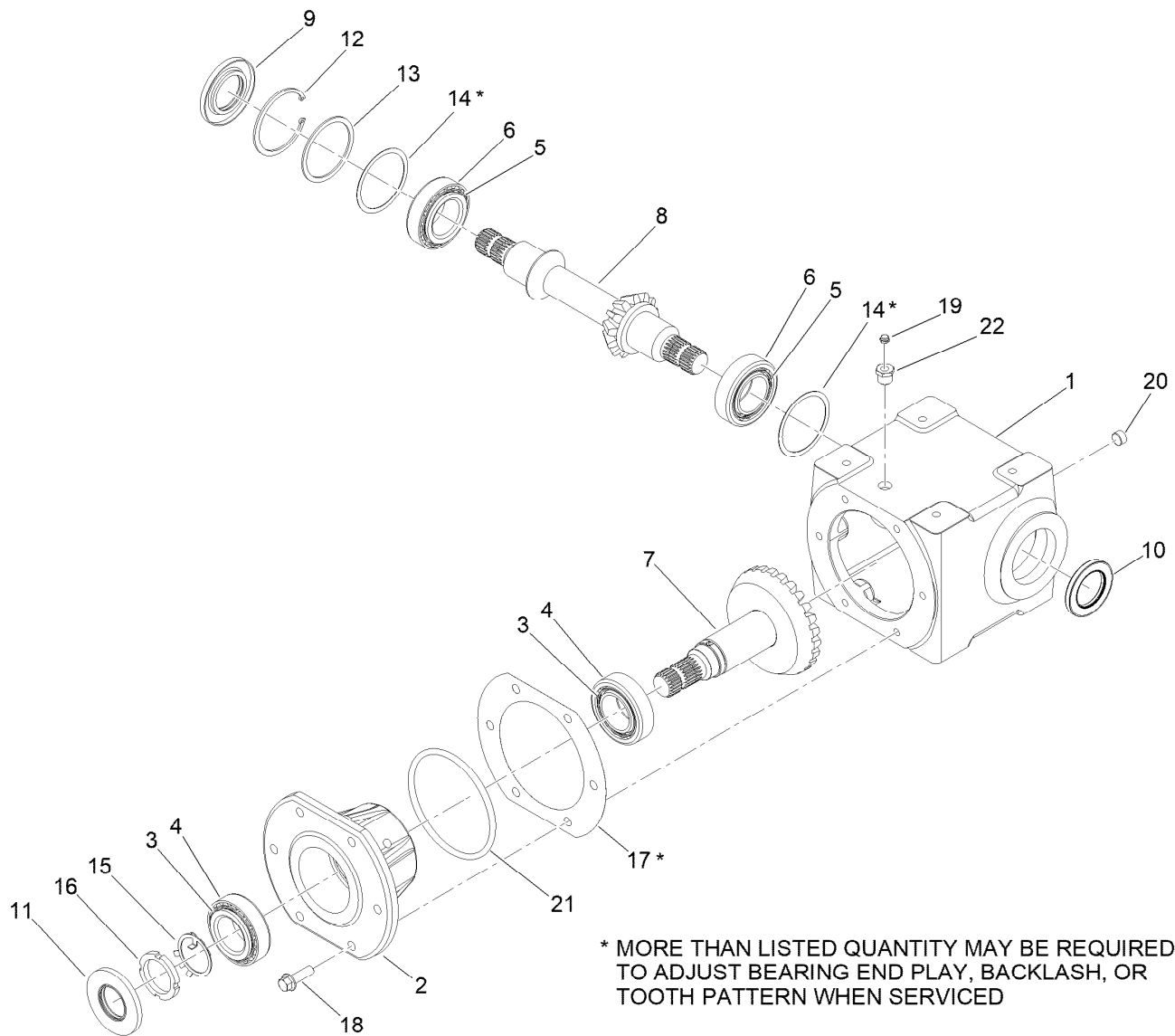


Shielded Drive Shaft Assembly No. 110-4283

<i>Ref.</i>	<i>Part Number</i>	<i>Qty.</i>	<i>Description</i>
1	93-4636	1	Auto-Lok Repair Kit
2		1	Safety Slide Lock Yoke ASM ■
3	110-4635	2	Cross And Bearing Kit
4		1	Yoke And Shaft ASM ■
5	110-4636	2	Guard Repair Kit ●
6	92-1581	1	Decal-Safety
7	110-4637	1	Guard-Outer
8	110-4638	1	Guard-Inner
9	92-1582	1	Decal-Safety
10		1	Yoke And Tube ASM ■
11		1	Yoke ■
12	110-4633	1	Joint And Shaft Half ASM
13	110-4634	1	Joint And Tube Half ASM

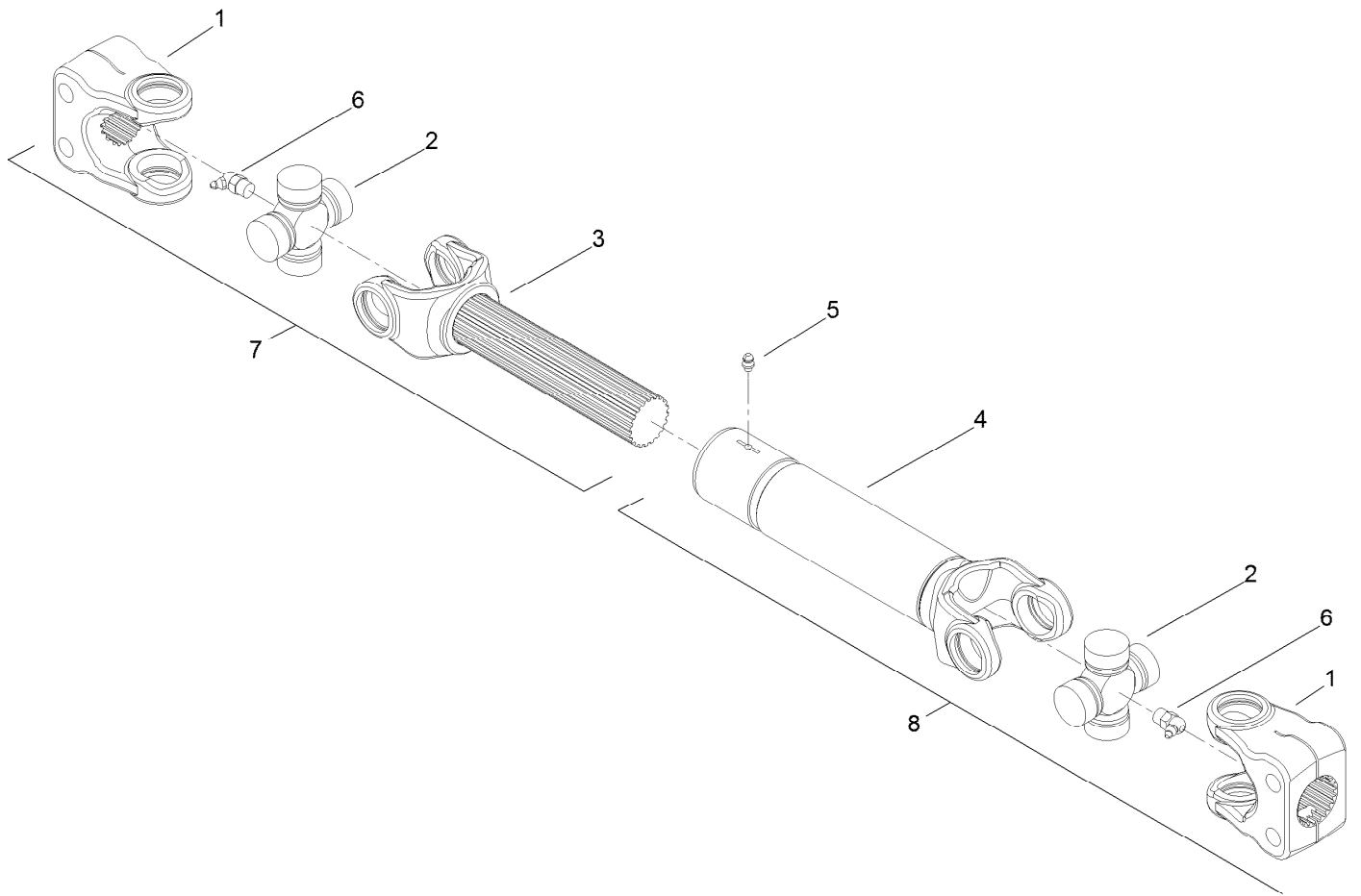
● Not illustrated

■ Not serviced separately



Gearbox Assembly No. 110-4565

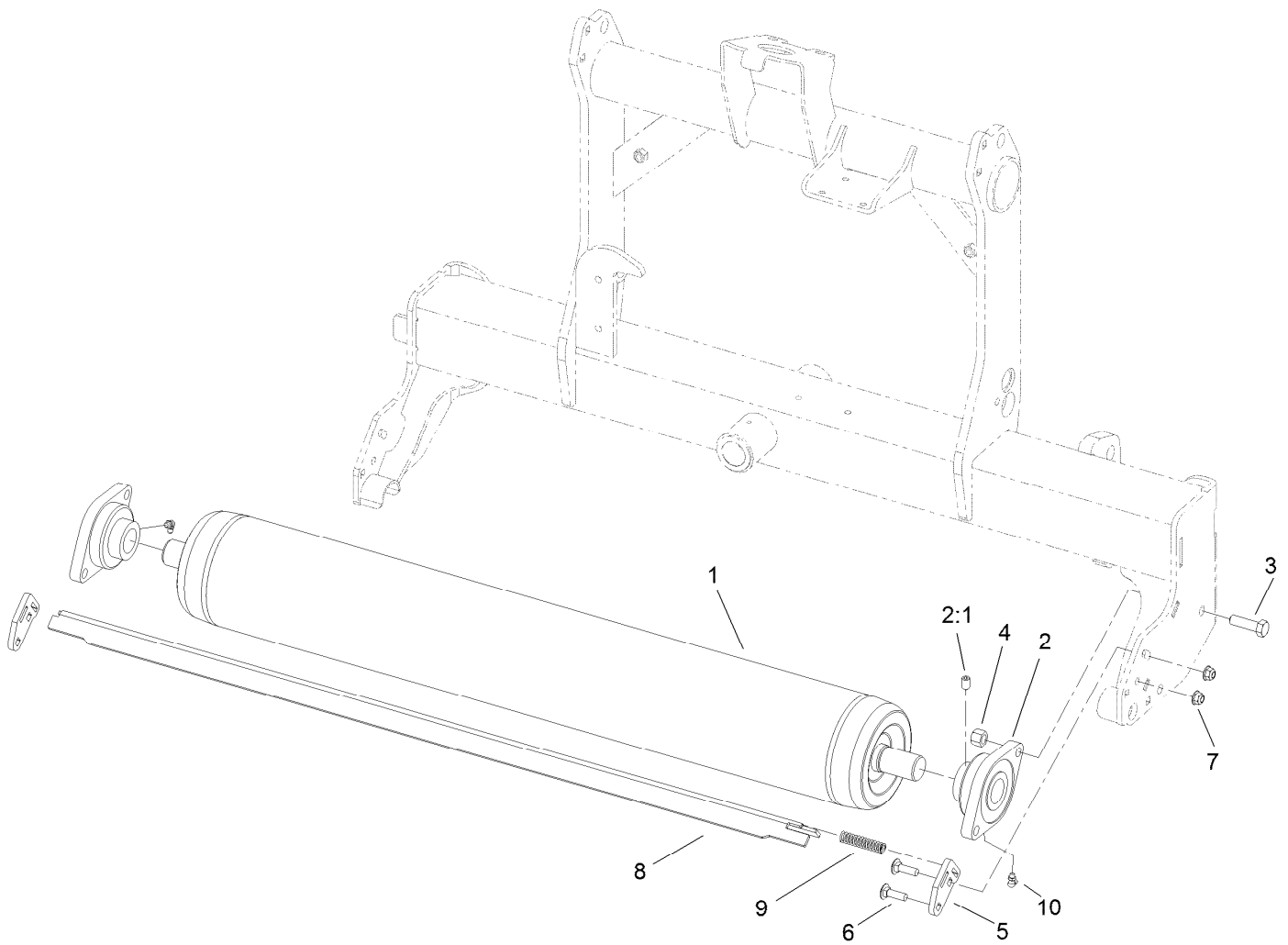
<i>Ref.</i>	<i>Part Number</i>	<i>Qty.</i>	<i>Description</i>	<i>Ref.</i>	<i>Part Number</i>	<i>Qty.</i>	<i>Description</i>
1	110-4644	1	Housing	12	110-4655	1	Ring-Retaining
2	110-4645	1	Quill	13	110-4656	1	Shim-Hard
3	110-4646	2	Cone-Bearing	14	110-4657	2	Shim-Soft
4	110-4647	2	Cup-Bearing	15	110-4658	1	Shim-Retaining
5	110-4648	2	Cone-Bearing	16	110-4659	1	Nut-Lock
6	110-4649	2	Cup-Bearing	17	110-4660	1	Gasket
7	110-4650	1	Gear And Shaft ASM	18	33106-045	6	Screw-HHF
8	110-4651	1	Shaft-Cross	19	110-4661	1	Vent-Relief
9	110-4652	1	Seal-Viton	20	281-3	1	Plug-Pipe, SQH
10	110-4653	1	Seal-Viton	21	110-4662	1	O-Ring
11	110-4654	1	Seal-Viton	22	140-2251	1	Adapter



Drive Shaft Assembly No. 110-4586

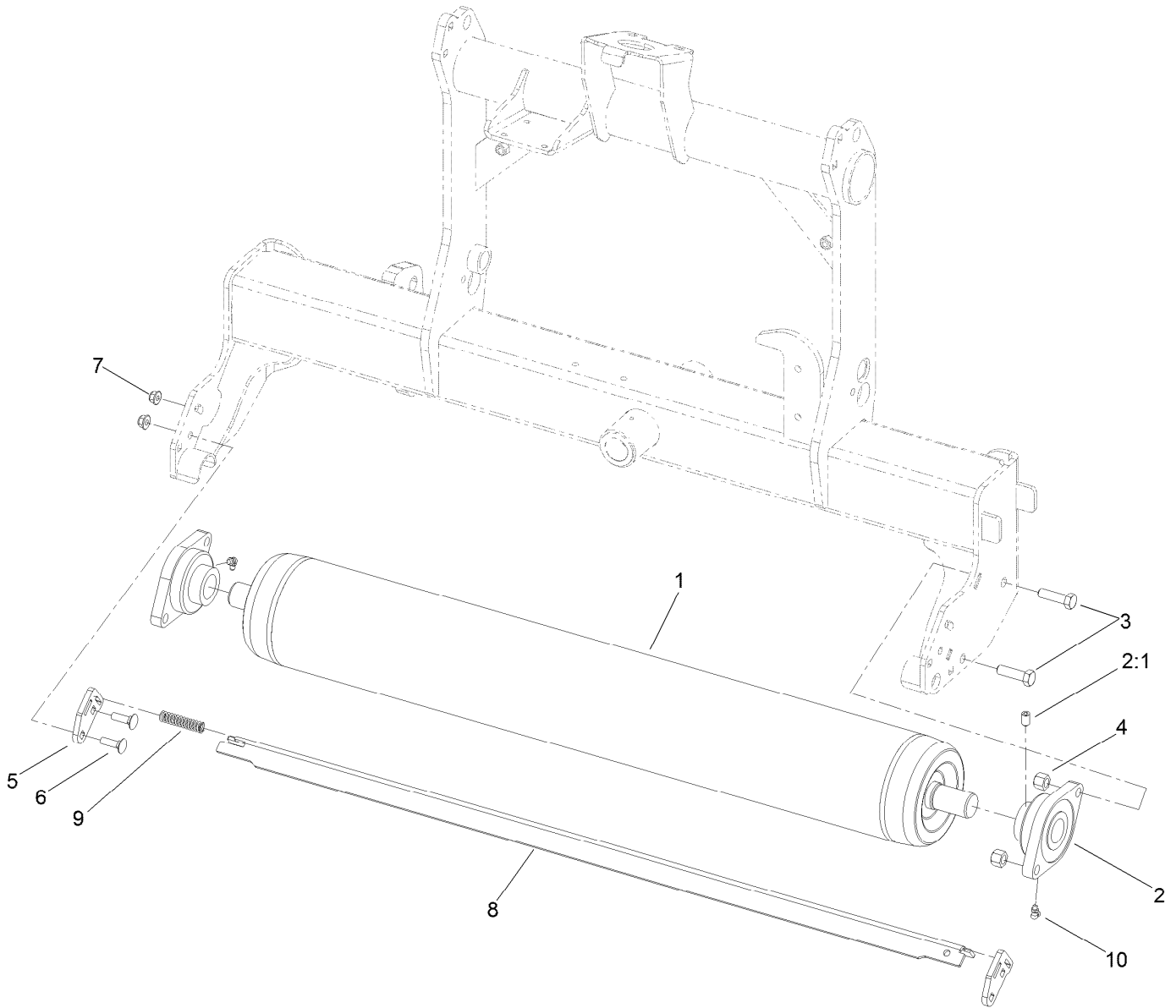
Ref.	Part Number	Qty.	Description
1		1	Yoke ●
2	110-4641	2	Cross And Bearing Kit
3		1	Yoke And Shaft ASM ●
4		1	Yoke And Tube ASM ●
5		1	Zerk-Grease ●
6		2	Zerk-Grease ●
7	110-4642	1	Joint And Shaft Half ASM
8	110-4643	1	Joint And Tube Half ASM

● Not serviced separately



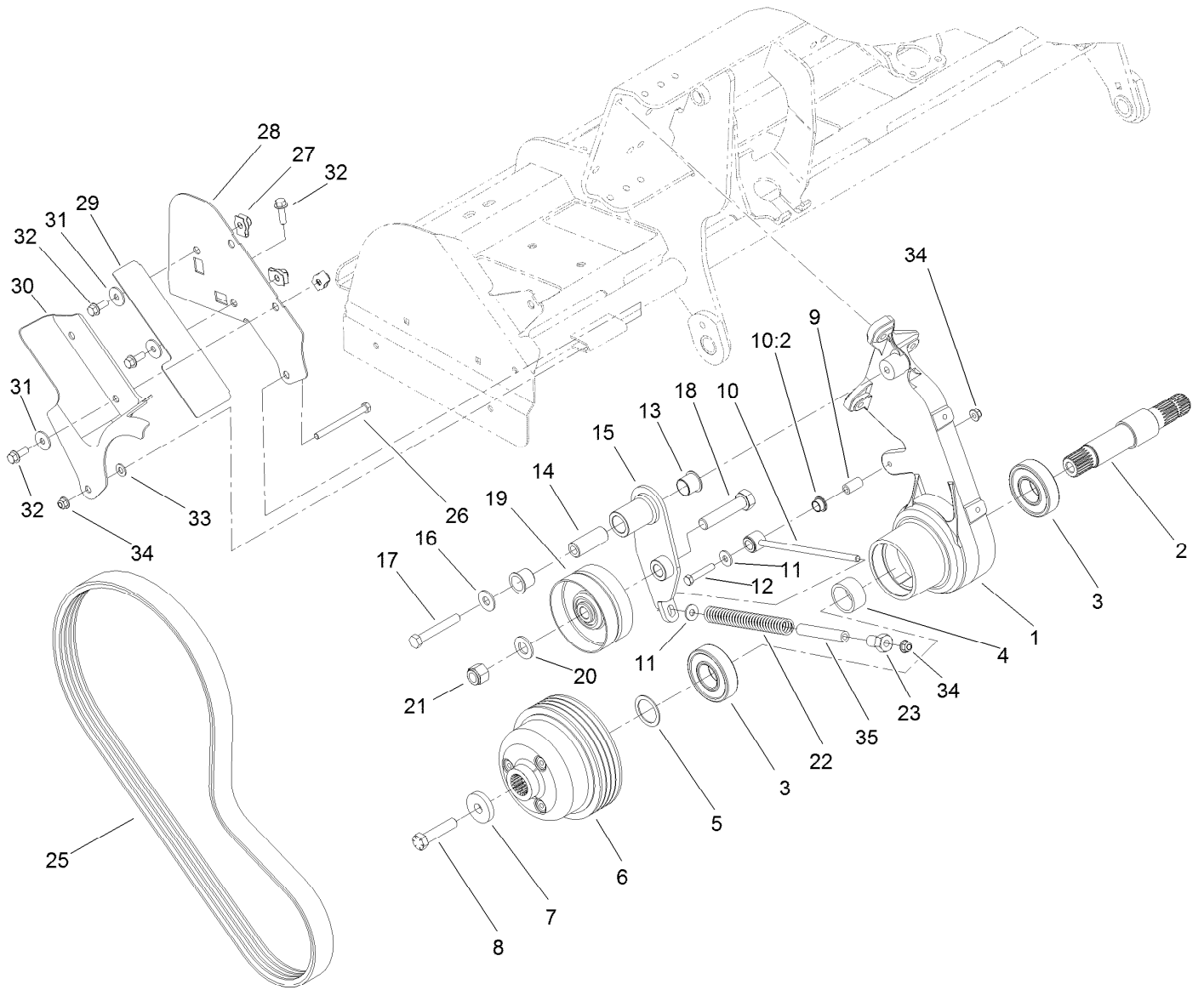
Right Hand Roller and Scraper Assembly

<i>Ref.</i>	<i>Part Number</i>	<i>Qty.</i>	<i>Description</i>
1	110-4253-03	1	Roller
2	105-0962	2	Bearing-Mount, Flange
2:1	3246-17	1	Setscrew-HSH
3	325-7	4	Screw-HH
4	3296-23	4	Nut-Lock, NI
5	110-4290	2	Arm-Scraper
6	3231-25	4	Bolt-CARR
7	104-8301	4	Nut-HF, NI
8	110-4289-03	1	Scraper-Roller
9	108-4469	1	Spring-Compression
10	302-40	2	Fitting-Grease, 90 DEG



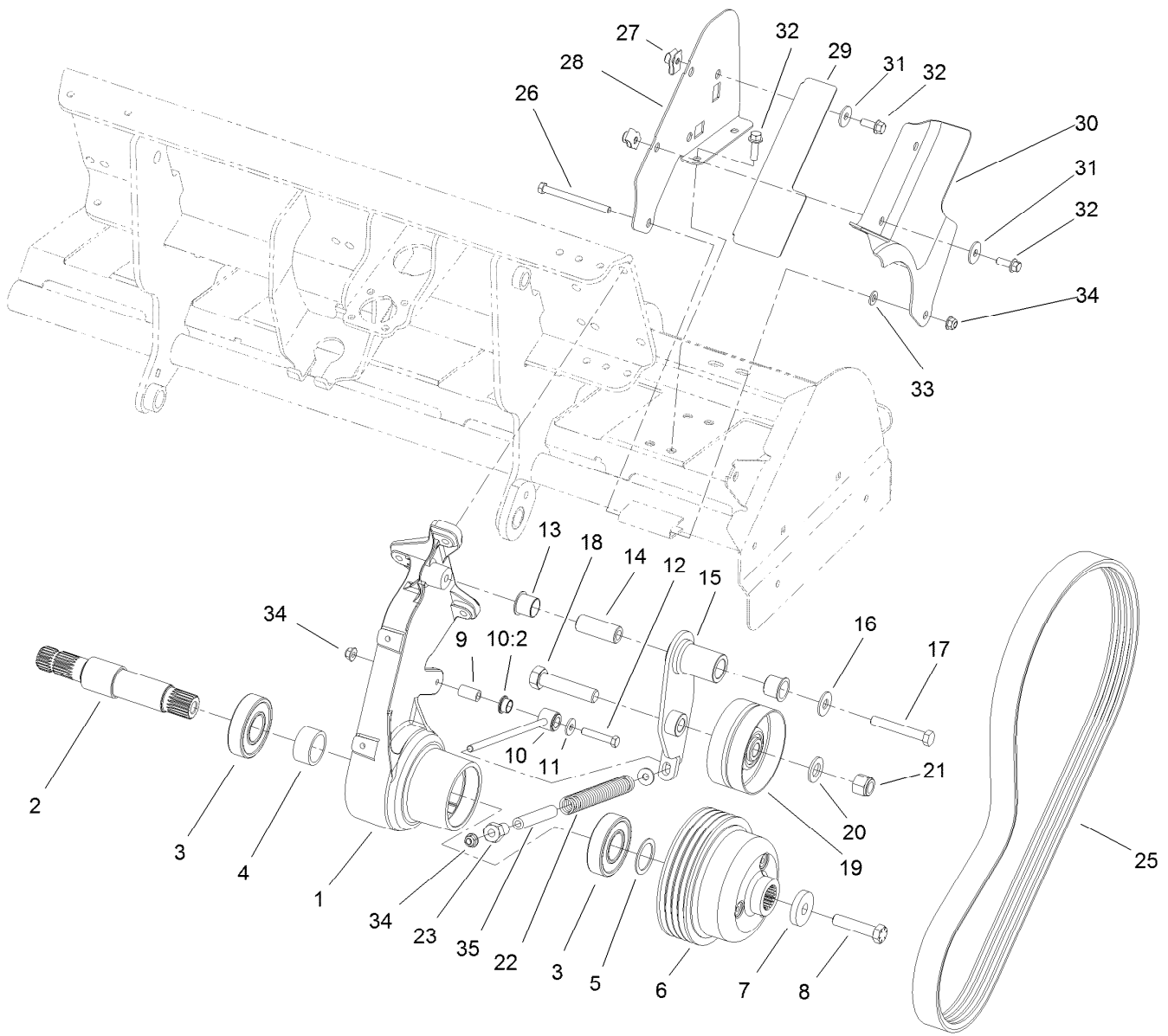
Left Hand Roller and Scraper Assembly

Ref.	Part Number	Qty.	Description
1	110-4253-03	1	Roller
2	105-0962	2	Bearing-Mount, Flange
2:1	3246-17	1	Setscrew-HSH
3	325-7	4	Screw-HH
4	3296-23	4	Nut-Lock, NI
5	110-4290	2	Arm-Scraper
6	3231-25	4	Bolt-CARR
7	104-8301	4	Nut-HF, NI
8	110-4289-03	1	Scraper-Roller
9	108-4469	1	Spring-Compression
10	302-40	2	Fitting-Grease, 90 DEG



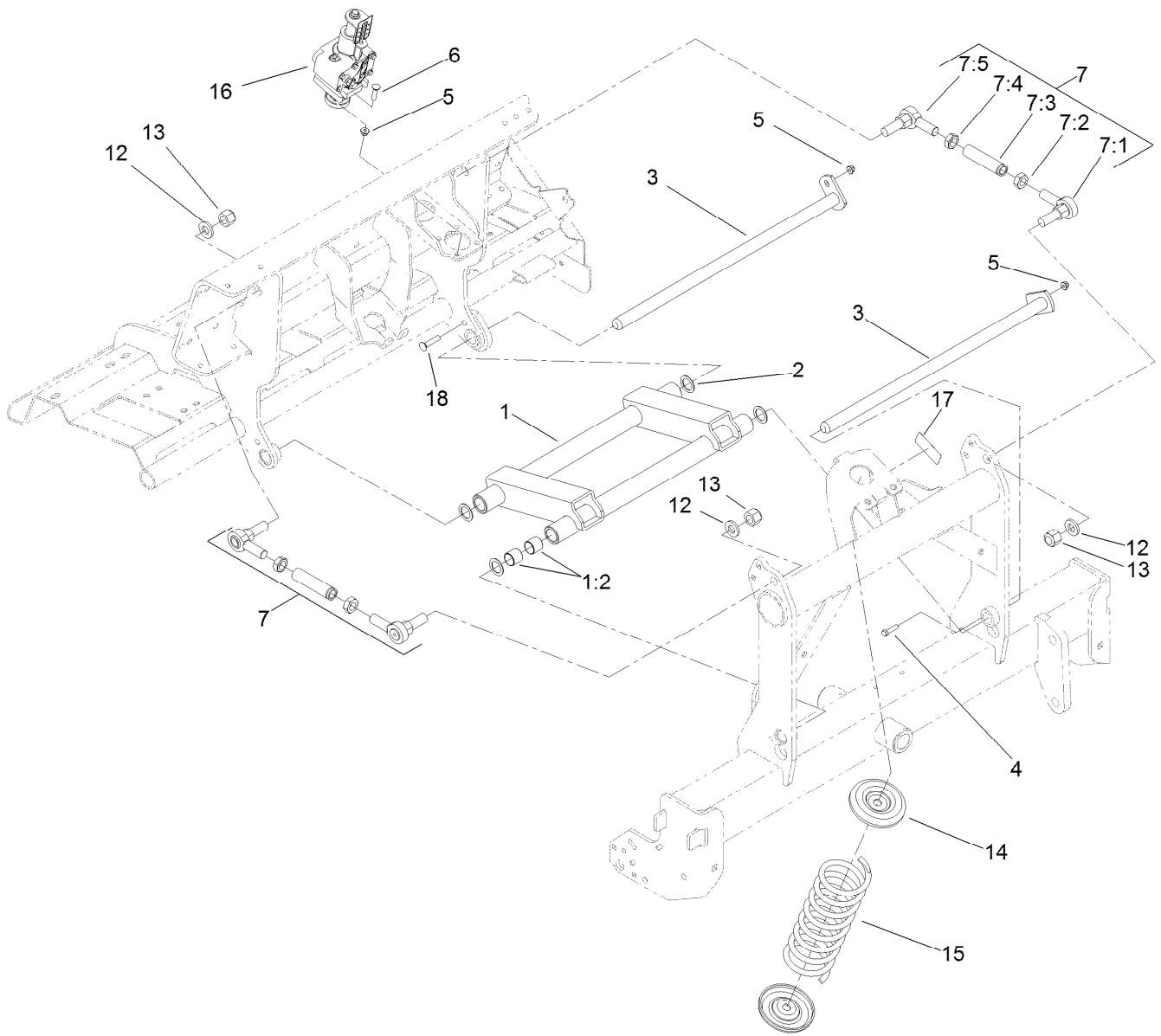
Right Hand Belt Drive Assembly

Ref.	Part Number	Qty.	Description	Ref.	Part Number	Qty.	Description
1	110-4445	1	Support-Pulley, RH	18	328-5	1	Screw-HH
2	110-4527	1	Shaft-Pulley, Splined	19	100-7631	1	Pulley-Idler
3	106-8871	2	Bearing-Ball	20	3256-28	1	Washer-Flat
4	110-4460	1	Spacer-Bearing	21	3296-51	1	Nut-Lock, NI
5	110-4498	1	Washer-Shim	22	110-4632	1	Spring-Compression
6	110-4419	1	Pulley	23	110-4676	1	Nut-Idler
7	105-1016	1	Washer-Hardened	25	110-4327	1	Belt-Banded, 4 Groove
8	110-4614	1	Screw-HH	26	323-17	1	Screw-HH
9	110-4631	1	Tube-Spacer	27	105-4886	4	Nut-Tinnerman
10	115-2815	1	Idler Arm ASM	28	110-4476-03	1	Support-Guard, Belt
10:2	80-1290	2	Bushing	29	114-1463-03	1	Shield-Dirt, RH
11	80-6990	2	Washer-Hardened	30	110-4474	1	Guard-Belt, RH
12	323-11	1	Screw-HH	31	93-8806	4	Washer-Hardened
13	126-1963	2	Bushing-Pivot	32	3234-24	6	Screw-HHF
14	105-0945	1	Sleeve-Pivot	33	3256-24	1	Washer-Flat
15	110-4624-03	1	Arm-Idler, RH	34	104-8301	3	Nut-HF, NI
16	3256-6	1	Washer-Flat	35	115-2800	1	Hose
17	325-14	1	Screw-HH				



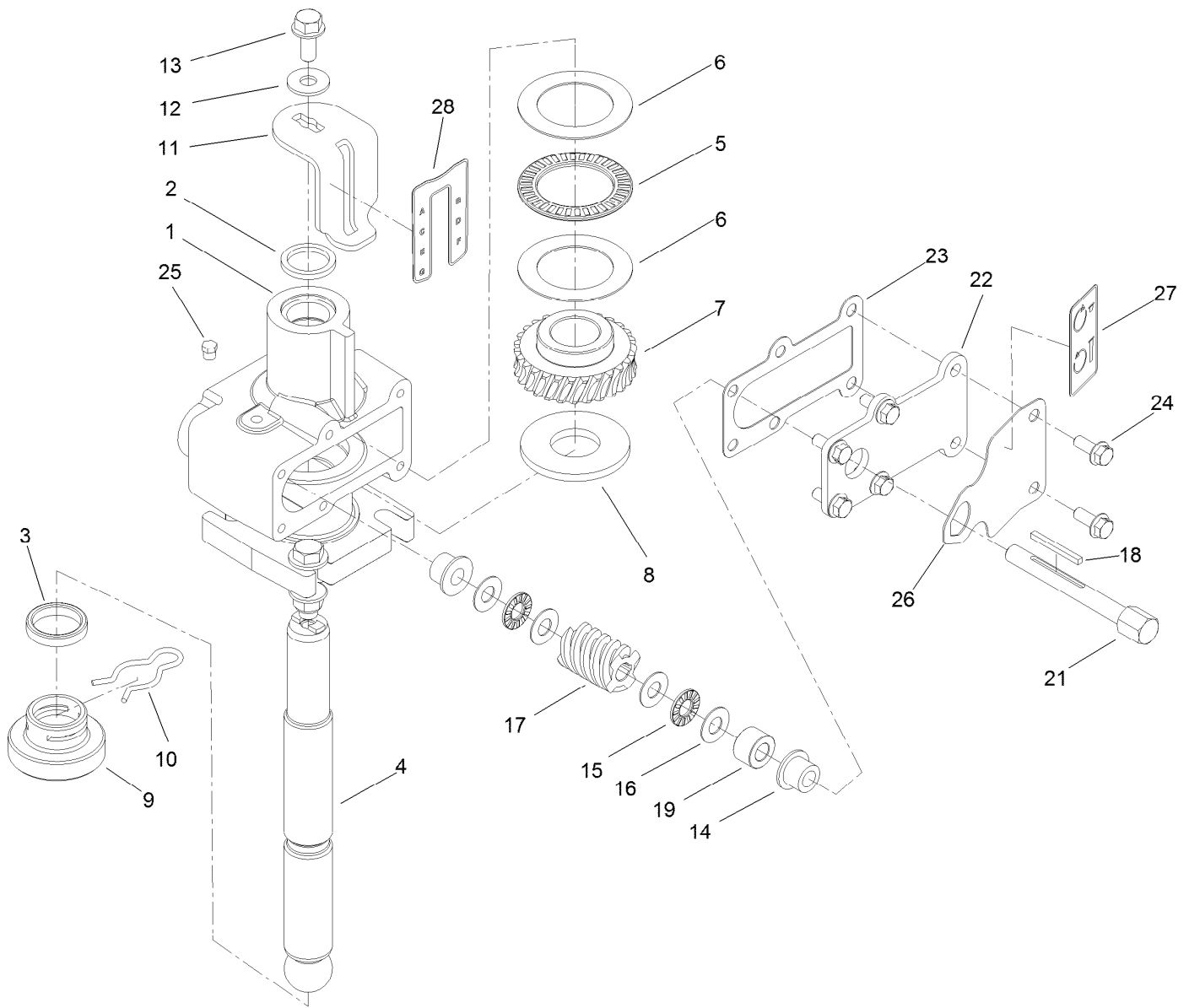
Left Hand Belt Drive Assembly

Ref.	Part Number	Qty.	Description	Ref.	Part Number	Qty.	Description
1	110-4447	1	Support-Pulley, LH	18	328-5	1	Screw-HH
2	110-4527	1	Shaft-Pulley, Splined	19	100-7631	1	Pulley-Idler
3	106-8871	2	Bearing-Ball	20	3256-28	1	Washer-Flat
4	110-4460	1	Spacer-Bearing	21	3296-51	1	Nut-Lock, NI
5	110-4498	1	Washer-Shim	22	110-4632	1	Spring-Compression
6	110-4419	1	Pulley	23	110-4676	1	Nut-Idler
7	105-1016	1	Washer-Hardened	25	110-4327	1	Belt-Banded, 4 Groove
8	110-4614	1	Screw-HH	26	323-17	1	Screw-HH
9	110-4631	1	Tube-Spacer	27	105-4886	4	Nut-Tinnerman
10	115-2815	1	Idler Arm ASM	28	110-4476-03	1	Support-Guard, Belt
10:2	80-1290	2	Bushing	29	114-1464-03	1	Shield-Dirt, LH
11	80-6990	2	Washer-Hardened	30	110-4475	1	Guard-Belt, LH
12	323-11	1	Screw-HH	31	93-8806	4	Washer-Hardened
13	126-1963	2	Bushing-Pivot	32	3234-24	6	Screw-HHF
14	105-0945	1	Sleeve-Pivot	33	3256-24	1	Washer-Flat
15	110-4625-03	1	Arm-Idler, LH	34	104-8301	3	Nut-HF, NI
16	3256-6	1	Washer-Flat	35	115-2800	1	Hose
17	325-14	1	Screw-HH				



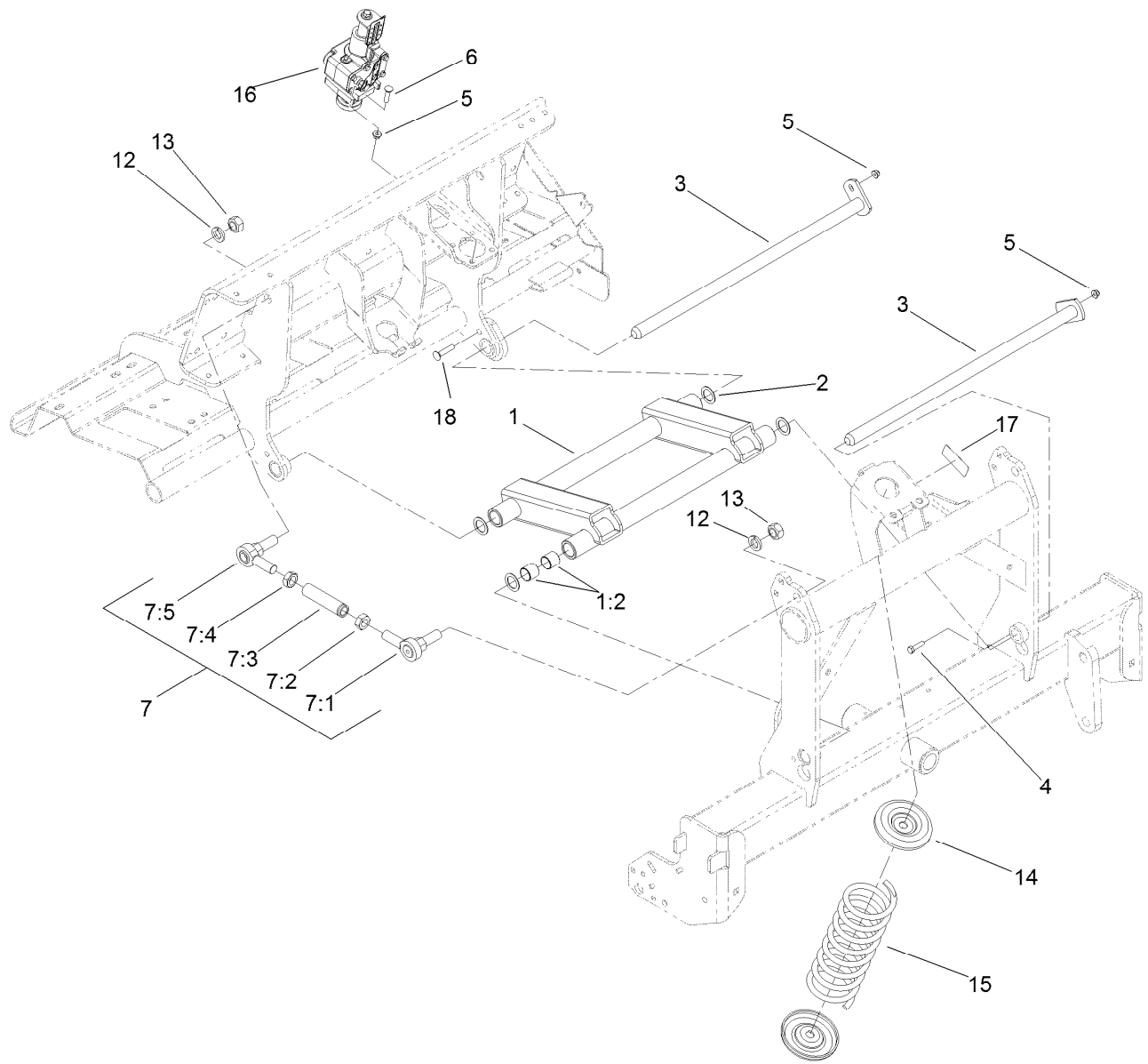
Left Hand H-Frame Assembly

<i>Ref.</i>	<i>Part Number</i>	<i>Qty.</i>	<i>Description</i>	<i>Ref.</i>	<i>Part Number</i>	<i>Qty.</i>	<i>Description</i>
1	110-4618	1	H-Frame ASM	7:3	110-4251	1	Link-Upper
1:2	110-4612	8	Bushing-Straight	7:4	3220-7	1	Nut-Jam
2	10-8110	4	Washer-Thrust	7:5	2411-40	1	End-Rod
3	110-4456	2	Shaft-Pivot	12	92-5836	3	Washer
4	323-7	1	Screw-HH	13	3296-50	4	Nut-Lock, NI
5	104-8301	6	Nut-HF, NI	14	110-4287-03	2	Cup-Spring
6	3231-4	4	Screw-CARR	15	105-4183-01	1	Spring-Compression
7	115-2821	2	Link ASM	16	115-2844	1	Depth Control ASM
7:1	105-1025	1	End-Rod	17	93-6696	1	Decal-Warning
7:2	3220-17	1	Nut-Jam, LH	18	3231-5	1	Screw-CARR



Depth Control Assembly No. 115-2844

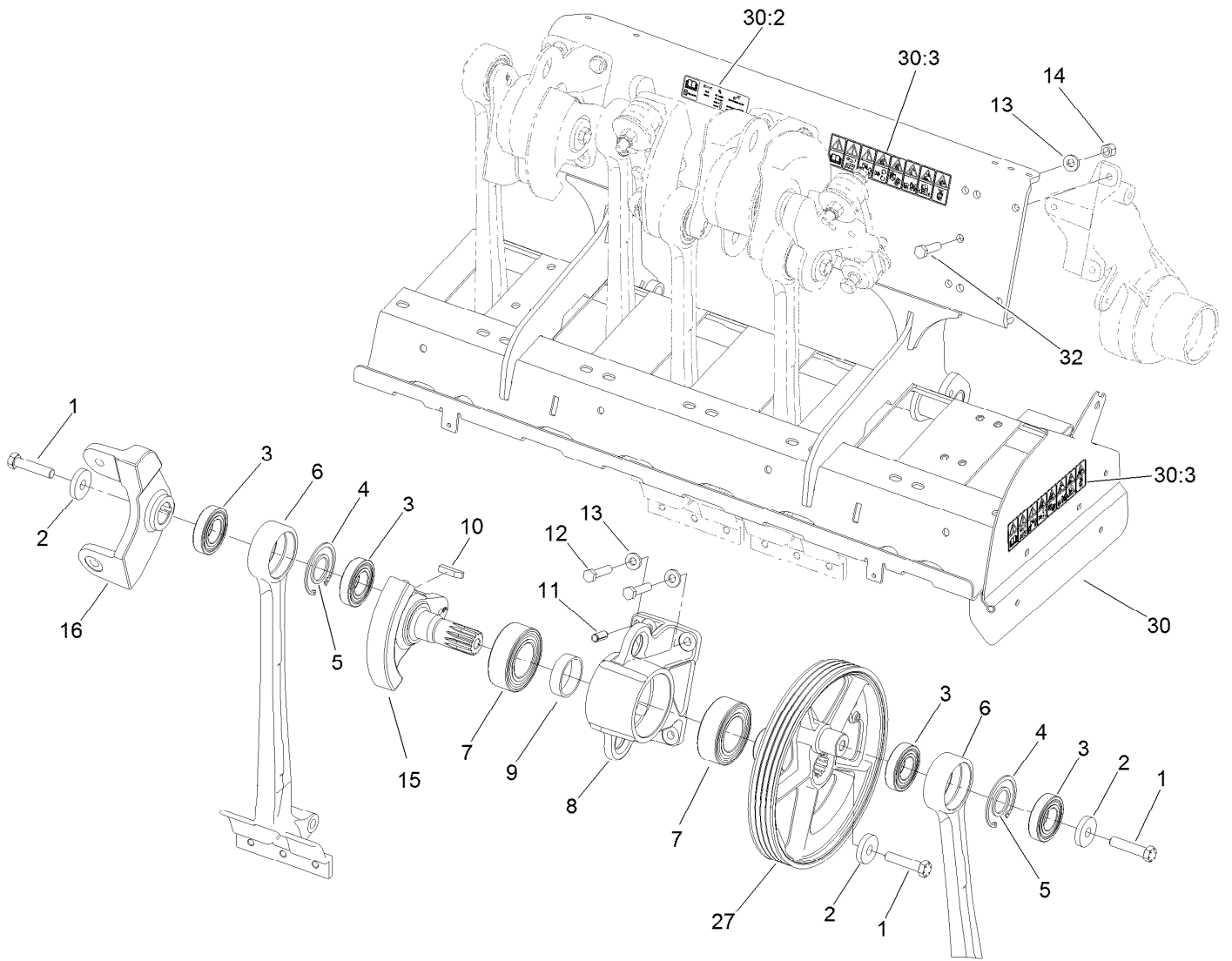
Ref.	Part Number	Qty.	Description	Ref.	Part Number	Qty.	Description
1	110-4531	1	Hub-Control, Depth	15	110-4599	2	Bearing-Thrust
2	253-59	1	Seal-Oil	16	73-0041	4	Washer-Thrust
3	7-0045	1	Seal-Oil	17	110-4581	1	Worm-Control, Depth
4	110-4534	1	Shaft-Control, Depth	18	110-4536	1	Key-Gear, Worm
5	110-4600	1	Bearing-Thrust	19	110-4537	1	Spacer-Gear, Worm
6	110-4602	2	Washer-Bearing	21	110-4580	1	Shaft-Gear, Worm
7	110-4582	1	Gear-Worm, Depth Control	22	110-4532-03	1	Cover-Control, Depth
8	112-4953	1	Washer-Plain	23	110-4578	1	Gasket-Control, Depth
9	110-4438	1	Shoe-Control, Depth	24	3234-33	6	Screw-HHF
10	110-4439	1	Clip-Hairpin	25	302-59	1	Plug-EXT Hex Spl
11	110-4533	1	Gage-Control, Depth	26	110-4604	1	Plate-Lock, Depth
12	3256-71	1	Washer-Flat	27	110-4677	1	Decal-Rotation, Depth
13	3234-5	1	Screw-HHF	28	110-4678	1	Decal-Designation, Depth
14	110-4674	2	Bushing-Flange				



Left Hand H-Frame Assembly

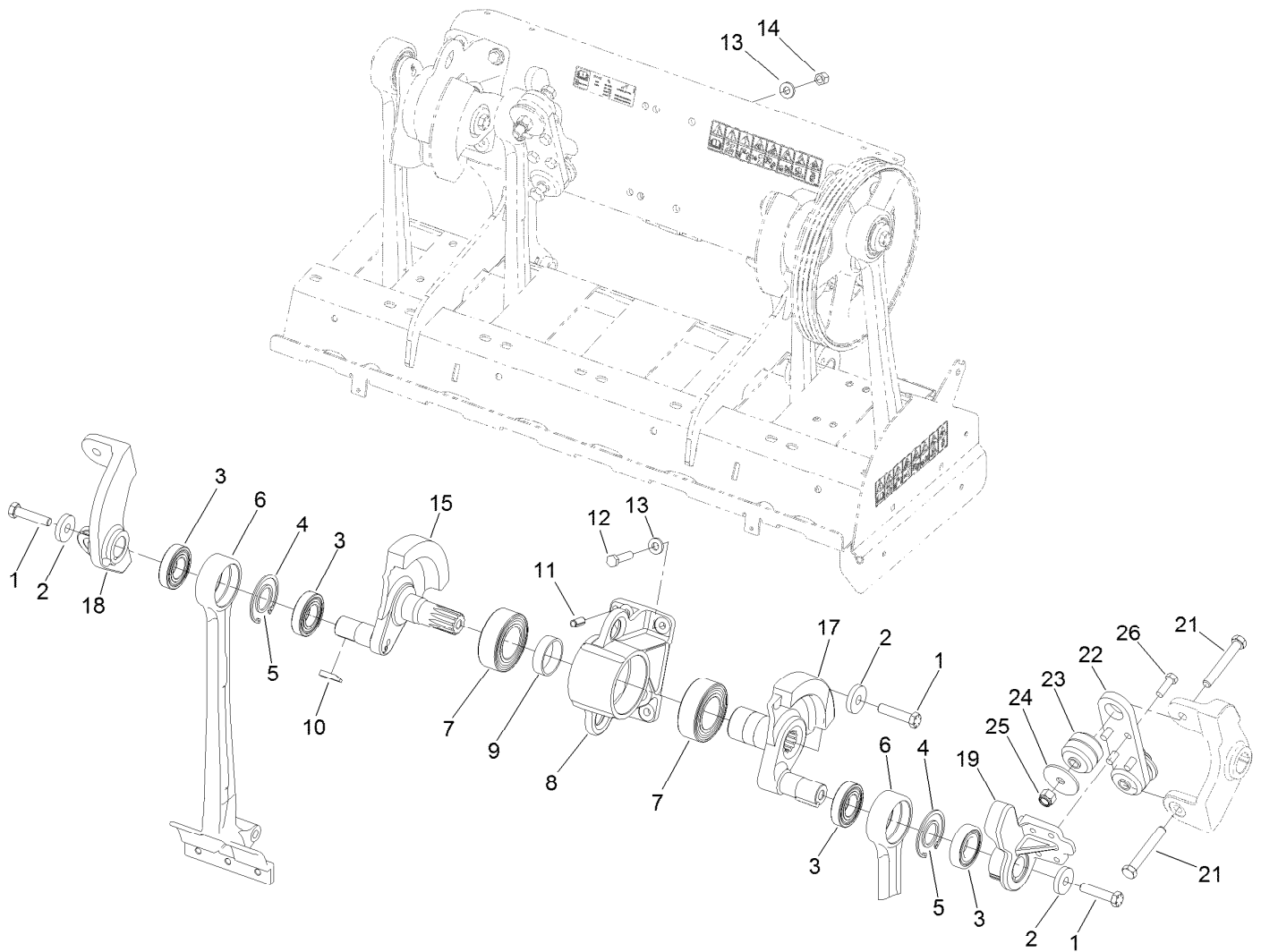
Ref.	Part Number	Qty.	Description
1	110-4618	1	H-Frame ASM
1:2	110-4612	8	Bushing-Straight
2	10-8110	4	Washer-Thrust
3	110-4456	2	Shaft-Pivot
4	323-7	1	Screw-HH
5	104-8301	6	Nut-HF, NI
6	3231-4	4	Screw-CARR
7	115-2821	2	Link ASM
7:1	105-1025	1	End-Rod
7:2	3220-17	1	Nut-Jam, LH

Ref.	Part Number	Qty.	Description
7:3	110-4251	1	Link-Upper
7:4	3220-7	1	Nut-Jam
7:5	2411-40	1	End-Rod
12	92-5836	3	Washer
13	3296-50	4	Nut-Lock, NI
14	110-4287-03	2	Cup-Spring
15	105-4183-01	1	Spring-Compression
16	115-2844	1	Depth Control ASM
17	93-6696	1	Decal-Warning
18	3231-5	1	Screw-CARR



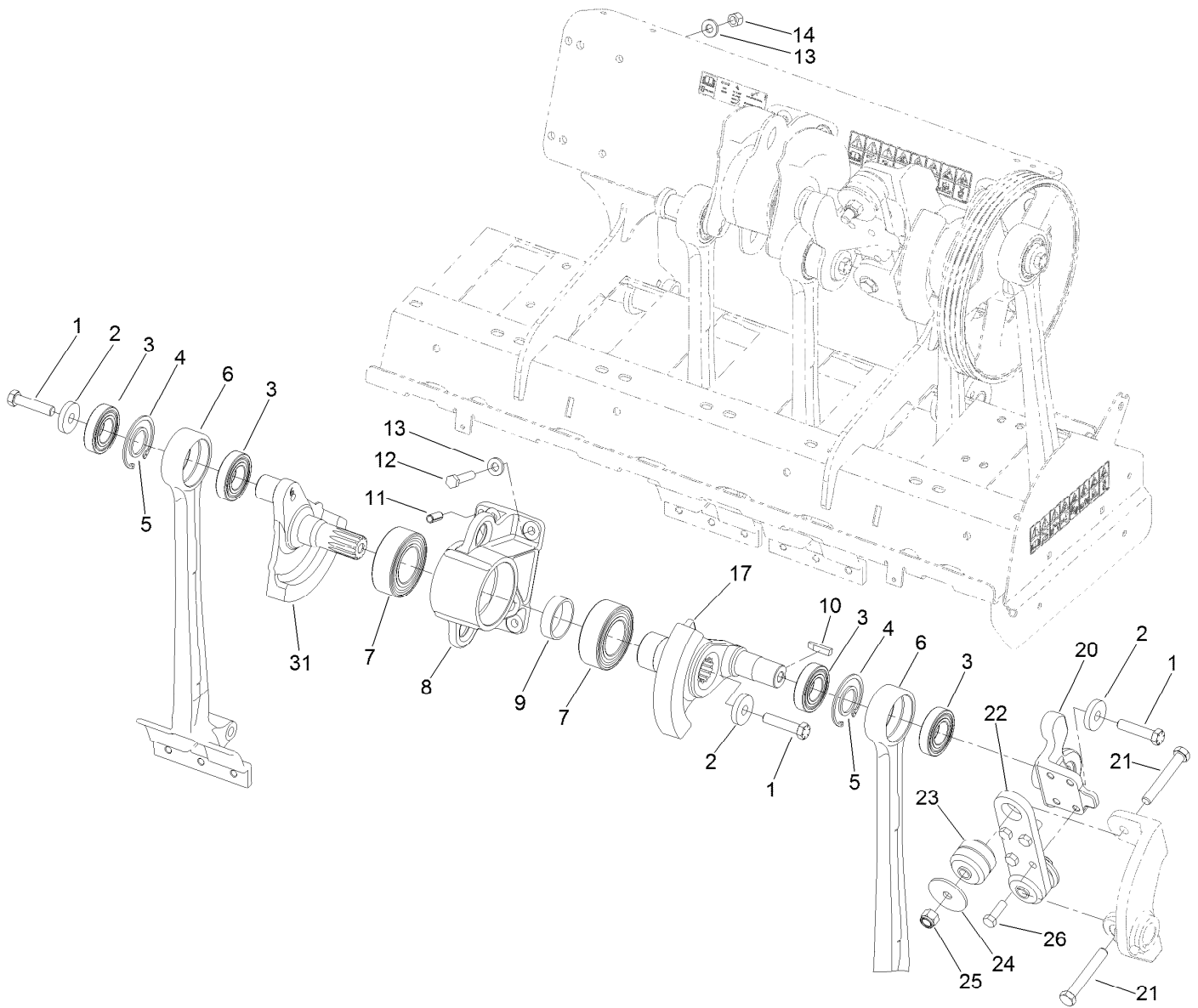
Right Hand No. 1 and No. 2 Crankarm Assembly

Ref.	Part Number	Qty.	Description	Ref.	Part Number	Qty.	Description
1	110-4614	3	Screw-HH	12	325-9	4	Screw-HH
2	105-1016	3	Washer-Hardened	13	107-3395	7	Washer-Hardened
3	110-4556	4	Bearing-Ball	14	3296-23	2	Nut-Lock, NI
4	32151-76	2	Ring-Retaining, Internal	15	110-4571	1	Crankarm-No. 2, 4, 6
5	110-4557	2	Spacer-Bearing	16	110-4567	1	Coupling-No. 2
6	110-4573	2	Arm-Stomper	27	114-1458	1	Pulley-Crankshaft
7	110-4555	2	Bearing-Ball, 2 Row	30	110-4685	1	RH Coring Head Frame ASM
8	110-4566	1	Housing-Bearing	30:2	110-4664	1	Decal-Torque, Bolt
9	110-4584	1	Spacer-Bearing	30:3	110-4670	2	Decal-Warning, CE
10	110-4546	1	Key-Square	32	325-8	1	Screw-HH
11	105-1041	2	Pin-Spring				



Right Hand No. 3 and No. 4 Crankarm Assembly

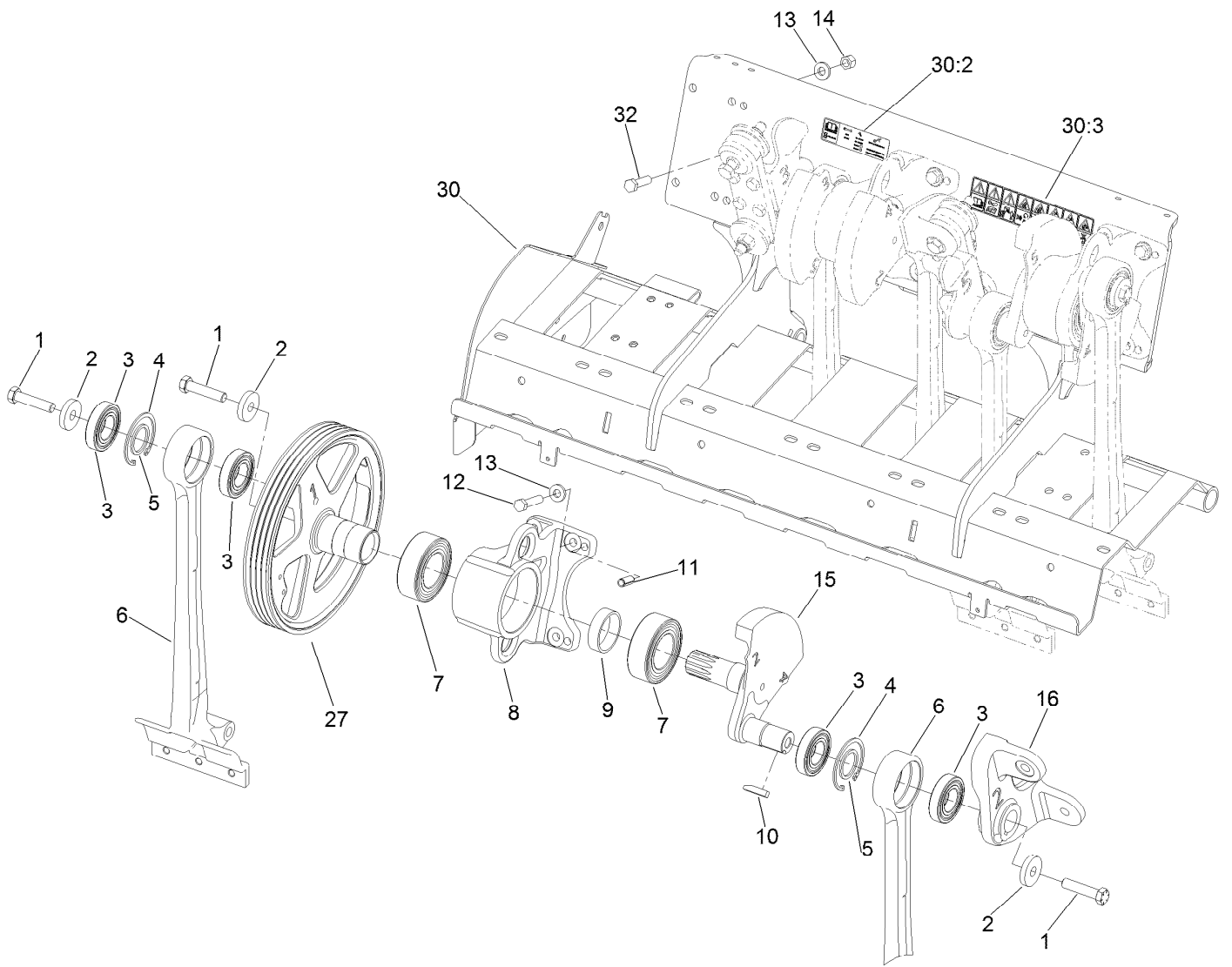
<i>Ref.</i>	<i>Part Number</i>	<i>Qty.</i>	<i>Description</i>	<i>Ref.</i>	<i>Part Number</i>	<i>Qty.</i>	<i>Description</i>
1	110-4614	3	Screw-HH	13	107-3395	8	Washer-Hardened
2	105-1016	3	Washer-Hardened	14	3296-23	4	Nut-Lock, NI
3	110-4556	4	Bearing-Ball	15	110-4571	1	Crankarm-No. 2, 4, 6
4	32151-76	2	Ring-Retaining, Internal	17	110-4572	1	Crankarm-No. 3, 5, 7
5	110-4557	2	Spacer-Bearing	18	110-4569	1	Coupling-No.4
6	110-4573	2	Arm-Stomper	19	110-4568	1	Coupling-No. 3
7	110-4555	2	Bearing-Ball, 2 Row	21	327-29	2	Screw-HH
8	110-4566	1	Housing-Bearing	22	105-0974-03	1	Plate-Coupling
9	110-4584	1	Spacer-Bearing	23	105-0963	2	Mount-ISO, Crank
10	110-4546	2	Key-Square	24	110-4549	2	Washer-Snubbing
11	105-1041	2	Pin-Spring	25	3296-53	2	Nut-Lock, NI
12	325-9	4	Screw-HH	26	325-6	4	Screw-HH



Right Hand No. 5 and No. 6 Crankarm Assembly

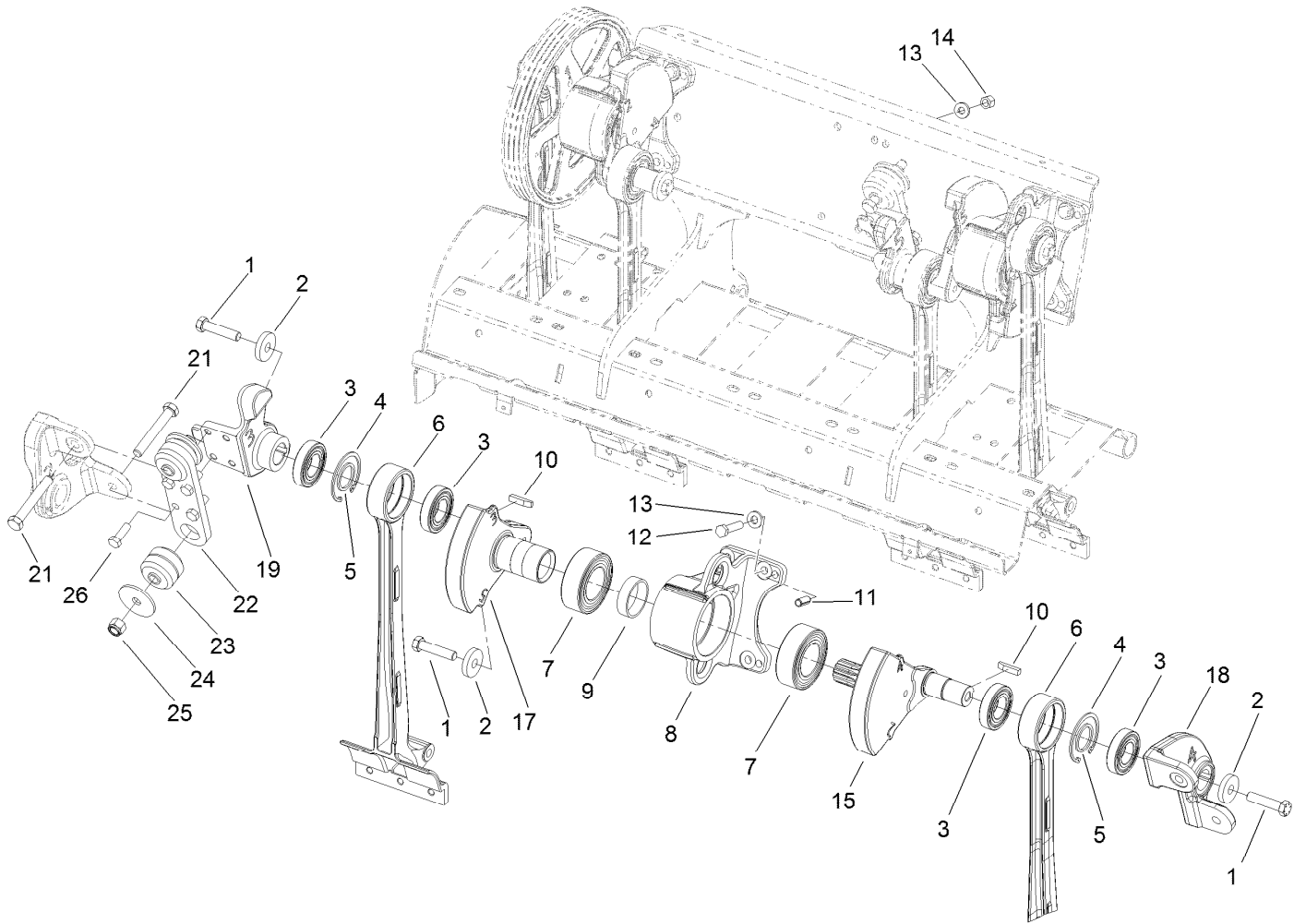
Ref.	Part Number	Qty.	Description
1	110-4614	3	Screw-HH
2	105-1016	3	Washer-Hardened
3	110-4556	4	Bearing-Ball
4	32151-76	2	Ring-Retaining, Internal
5	110-4557	2	Spacer-Bearing
6	110-4573	2	Arm-Stomper
7	110-4555	2	Bearing-Ball, 2 Row
8	110-4566	1	Housing-Bearing
9	110-4584	1	Spacer-Bearing
10	110-4546	1	Key-Square
11	105-1041	2	Pin-Spring
12	325-9	4	Screw-HH

Ref.	Part Number	Qty.	Description
13	107-3395	8	Washer-Hardened
14	3296-23	4	Nut-Lock, NI
17	110-4572	1	Crankarm-No. 3, 5, 7
20	110-4570	1	Coupling-N0.5
21	327-29	2	Screw-HH
22	105-0974-03	1	Plate-Coupling
23	105-0963	2	Mount-ISO, Crank
24	110-4549	2	Washer-Snubbing
25	3296-53	2	Nut-Lock, NI
26	325-6	4	Screw-HH
31	110-4576	1	Crankarm-No.6



Left Hand No. 1 and No. 2 Crankarm Assembly

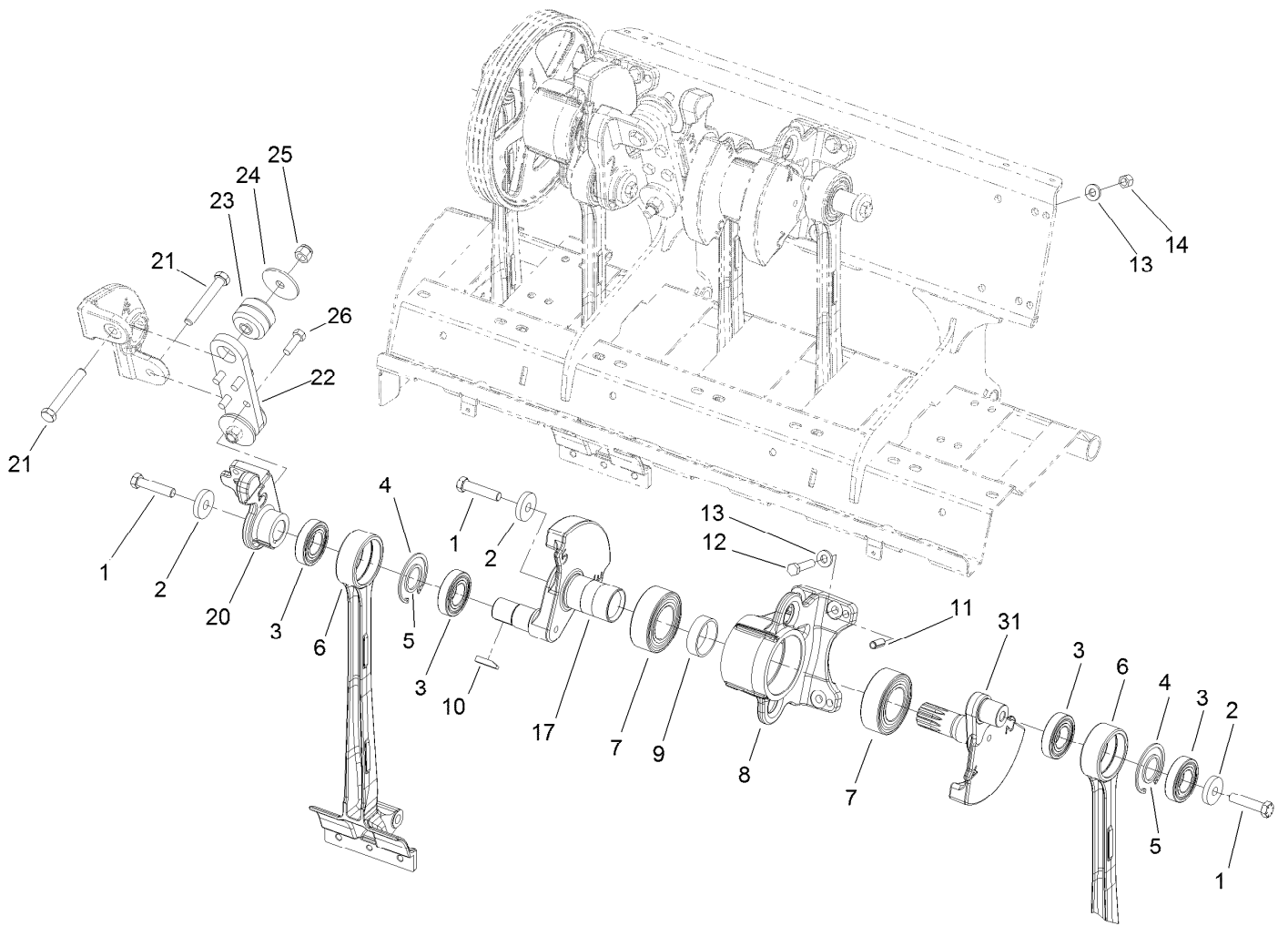
<i>Ref.</i>	<i>Part Number</i>	<i>Qty.</i>	<i>Description</i>	<i>Ref.</i>	<i>Part Number</i>	<i>Qty.</i>	<i>Description</i>
1	110-4614	3	Screw-HH	12	325-9	4	Screw-HH
2	105-1016	3	Washer-Hardened	13	107-3395	7	Washer-Hardened
3	110-4556	4	Bearing-Ball	14	3296-23	2	Nut-Lock, NI
4	32151-76	2	Ring-Retaining, Internal	15	110-4571	1	Crankarm-No. 2, 4, 6
5	110-4557	2	Spacer-Bearing	16	110-4567	1	Coupling-No. 2
6	110-4573	2	Arm-Stomper	27	114-1458	1	Pulley-Crankshaft
7	110-4555	2	Bearing-Ball, 2 Row	30	110-4686	1	LH Coring Head Frame ASM
8	110-4566	1	Housing-Bearing	30:2	110-4664	1	Decal-Torque, Bolt
9	110-4584	1	Spacer-Bearing	30:3	110-4670	2	Decal-Warning, CE
10	110-4546	1	Key-Square	32	325-8	1	Screw-HH
11	105-1041	2	Pin-Spring				



Left Hand No. 3 and No. 4 Crankarm Assembly

Ref.	Part Number	Qty.	Description
1	110-4614	3	Screw-HH
2	105-1016	3	Washer-Hardened
3	110-4556	4	Bearing-Ball
4	32151-76	2	Ring-Retaining, Internal
5	110-4557	2	Spacer-Bearing
6	110-4573	2	Arm-Stomper
7	110-4555	2	Bearing-Ball, 2 Row
8	110-4566	1	Housing-Bearing
9	110-4584	1	Spacer-Bearing
10	110-4546	2	Key-Square
11	105-1041	2	Pin-Spring
12	325-9	4	Screw-HH

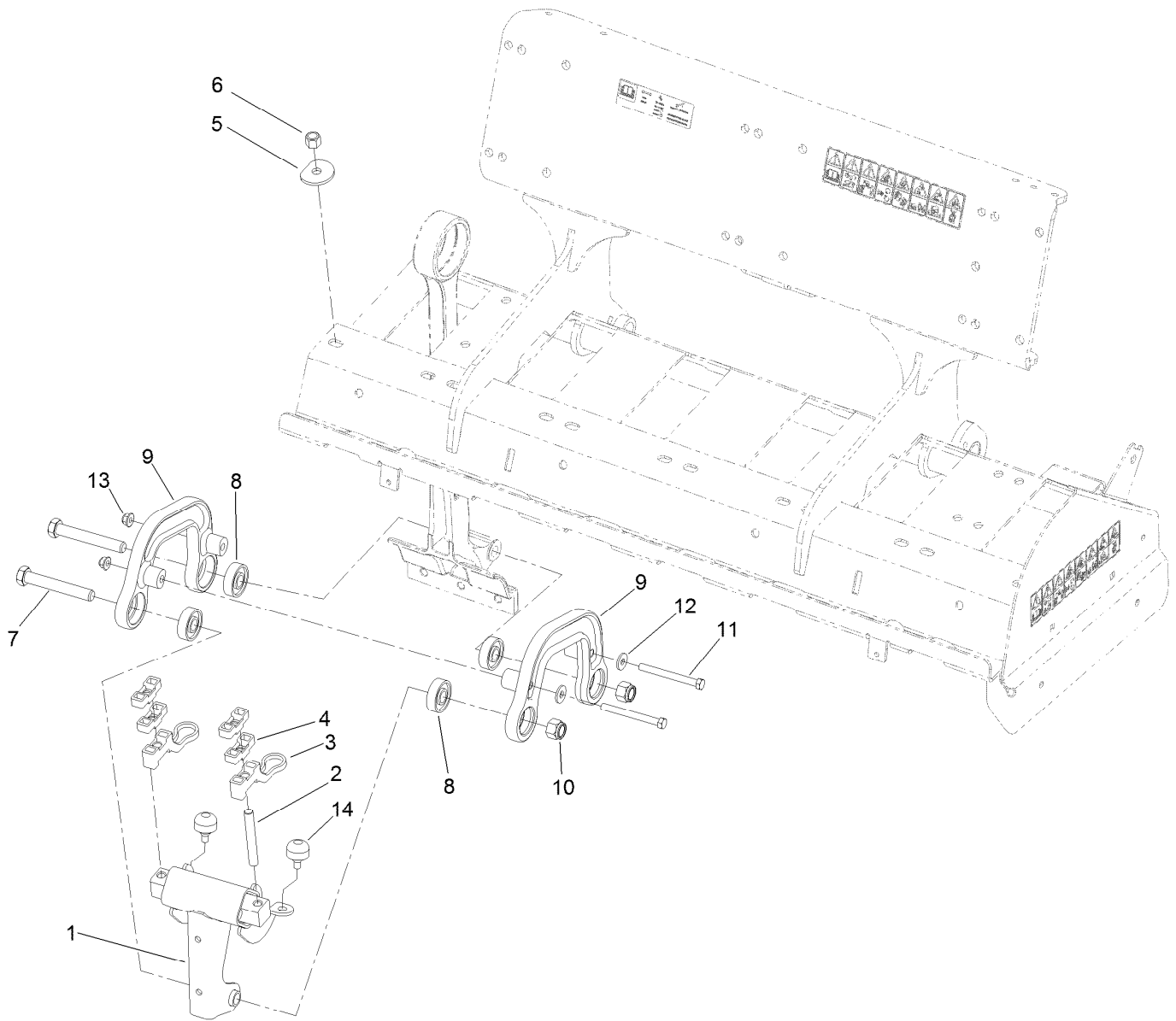
Ref.	Part Number	Qty.	Description
13	107-3395	8	Washer-Hardened
14	3296-23	4	Nut-Lock, NI
15	110-4571	1	Crankarm-No. 2, 4, 6
17	110-4572	1	Crankarm-No. 3, 5, 7
18	110-4569	1	Coupling-No.4
19	110-4568	1	Coupling-No. 3
21	327-29	2	Screw-HH
22	105-0974-03	1	Plate-Coupling
23	105-0963	2	Mount-ISO, Crank
24	110-4549	2	Washer-Snubbing
25	3296-53	2	Nut-Lock, NI
26	325-6	4	Screw-HH



Left Hand No. 5 and No. 6 Crankarm Assembly

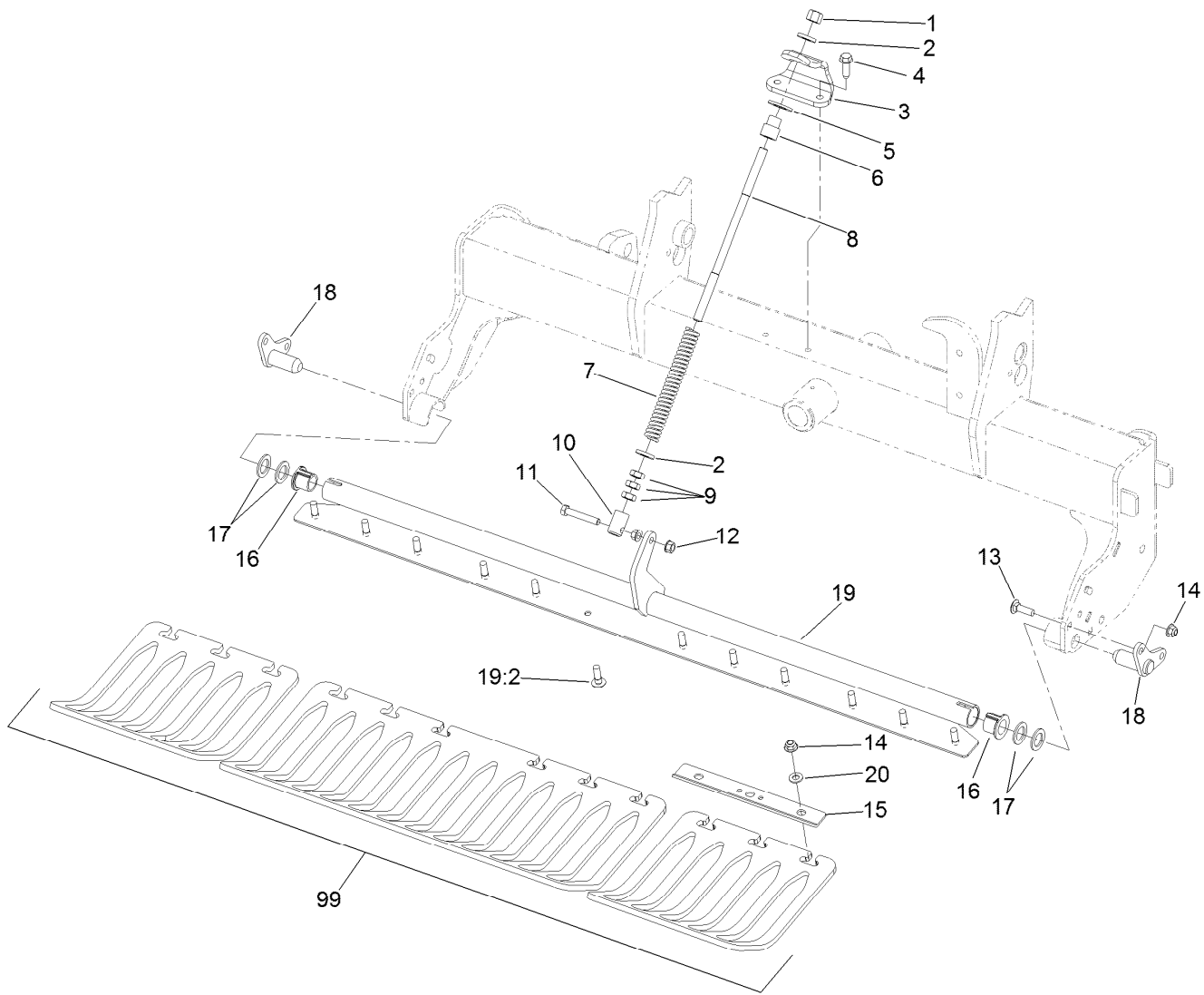
Ref.	Part Number	Qty.	Description
1	110-4614	3	Screw-HH
2	105-1016	3	Washer-Hardened
3	110-4556	4	Bearing-Ball
4	32151-76	2	Ring-Retaining, Internal
5	110-4557	2	Spacer-Bearing
6	110-4573	2	Arm-Stomper
7	110-4555	2	Bearing-Ball, 2 Row
8	110-4566	1	Housing-Bearing
9	110-4584	1	Spacer-Bearing
10	110-4546	1	Key-Square
11	105-1041	2	Pin-Spring
12	325-9	4	Screw-HH

Ref.	Part Number	Qty.	Description
13	107-3395	8	Washer-Hardened
14	3296-23	4	Nut-Lock, NI
17	110-4572	1	Crankarm-No. 3, 5, 7
20	110-4570	1	Coupling-N0.5
21	327-29	2	Screw-HH
22	105-0974-03	1	Plate-Coupling
23	105-0963	2	Mount-ISO, Crank
24	110-4549	2	Washer-Snubbing
25	3296-53	2	Nut-Lock, NI
26	325-6	4	Screw-HH
31	110-4576	1	Crankarm-No.6



Roto-Link Damper Assembly

Ref.	Part Number	Qty.	Description
1	106-8922	12	Damper
2	110-4504	24	Stud
3	110-4506	24	Bumper-Rotolink
4	110-4507	48	Standoff-Rotolink
5	107-7543	24	Washer-Hardened
6	32128-23	24	Nut-HF
7	327-29	24	Screw-HH
8	251-311	48	Bearing-Ball
9	105-1000	24	Link-Damper
10	3296-53	24	Nut-Lock, NI
11	323-42	24	Screw-HH
12	80-6990	24	Washer-Hardened
13	104-8301	24	Nut-HF, NI
14	87-2440	24	Bumper-Rubber

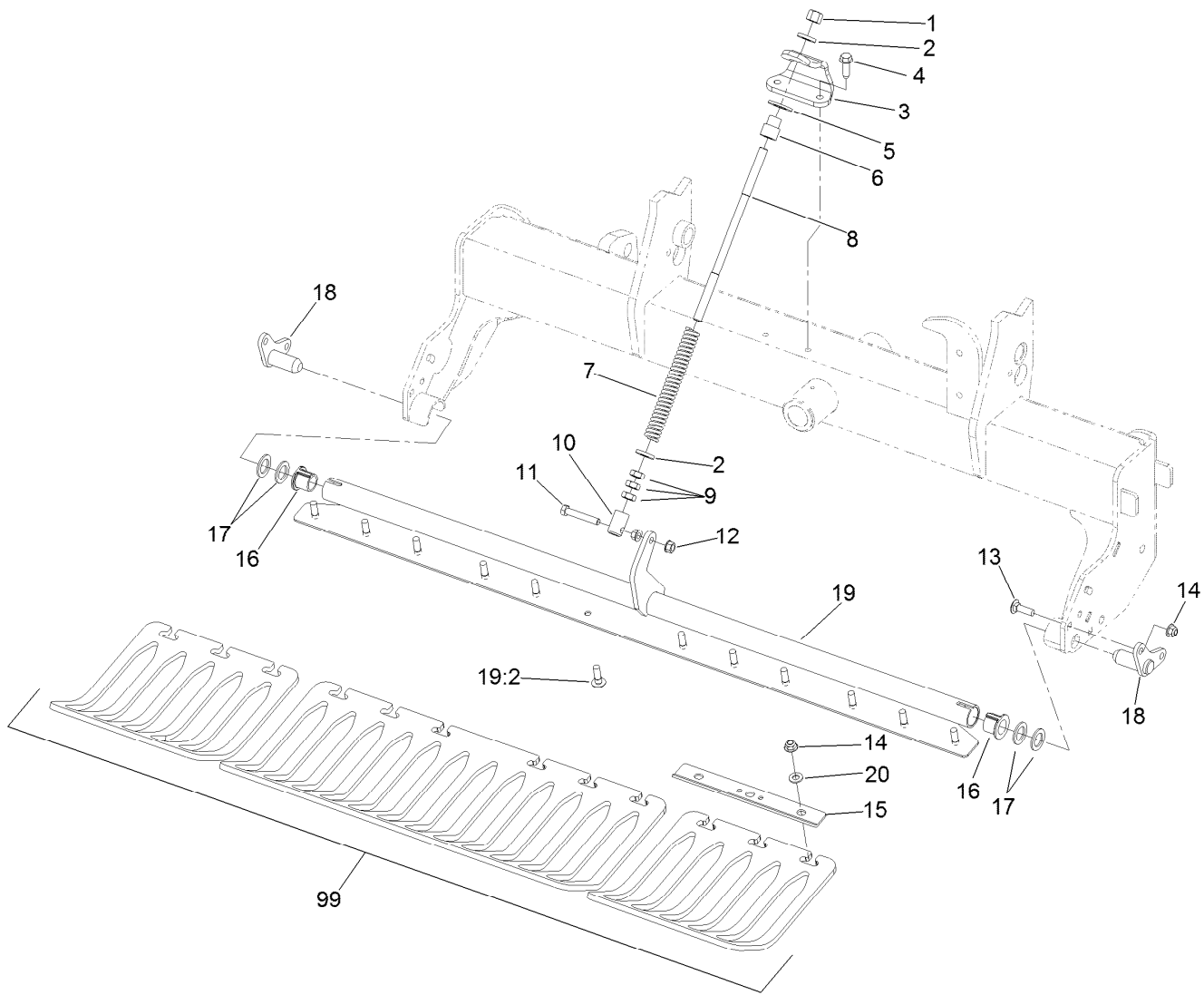


Left Hand Turf Guard Assembly

Ref.	Part Number	Qty.	Description	Ref.	Part Number	Qty.	Description
1	3296-23	1	Nut-Lock, NI	15	110-4274-03	4	Clamp-Guard, Turf
2	107-3395	2	Washer-Hardened	16	107-7581	2	Bushing-Flange, Keyed
3	110-4267-03	1	Bracket-Spring	17	3-7898	4	Washer-Thrust
4	32144-109	2	Screw-Thd	18	110-4296	2	Shaft-Stub
5	3256-28	1	Washer-Flat	19	110-4621	1	Turfguard ASM
6	110-4416	1	Sleeve-Rod, Spring	19:2	125-3318	12	Screw-Neck, Rib
7	110-4417	1	Spring-Compression	20	3256-24	12	Washer-Flat
8	110-4421	1	Rod-Spring	99	120-1044	2	Guard-Turf, 3-Tine (Short) ■
9	3218-5	3	Nut-Jam	99	120-1045	2	Guard-Turf, 4-Tine (Short) ● ■
10	99-8662	1	Tube-Spring	99	120-1046	1	Guard-Turf, 4-Tine, Long ● ■
11	323-45	1	Screw-HH	99	120-1047	2	Guard-Turf, 5 Tine, Short ● ■
12	32128-40	2	Nut-Flange	99	120-1051	1	Guard-Turf, 3-Tine, Long ■
13	3231-25	4	Bolt-CARR	99	120-1052	1	Guard-Turf, 5 Tine, Long ● ■
14	104-8301	16	Nut-HF, NI				

● Not illustrated

■ Optional Equipment

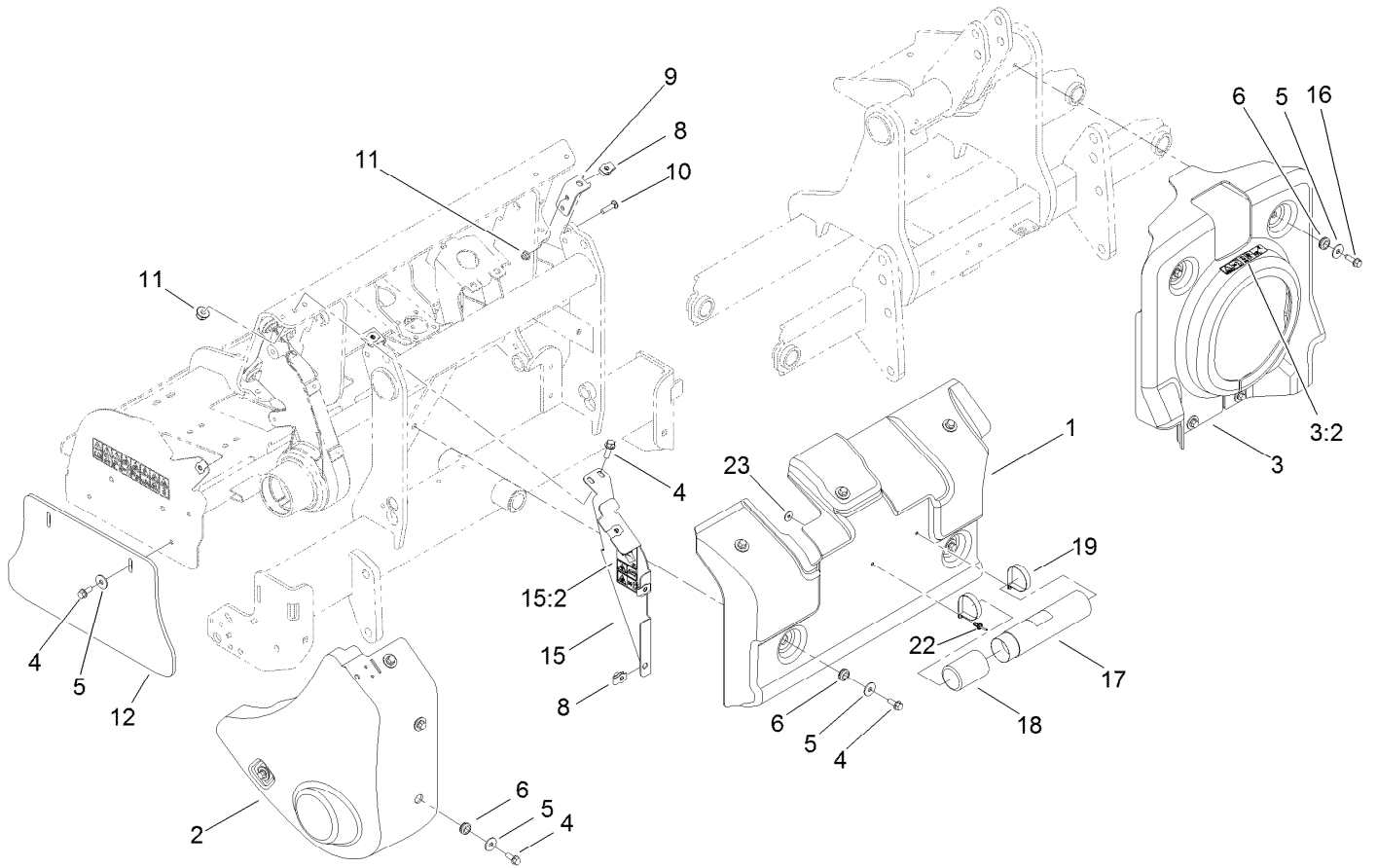


Left Hand Turf Guard Assembly

Ref.	Part Number	Qty.	Description	Ref.	Part Number	Qty.	Description
1	3296-23	1	Nut-Lock, NI	15	110-4274-03	4	Clamp-Guard, Turf
2	107-3395	2	Washer-Hardened	16	107-7581	2	Bushing-Flange, Keyed
3	110-4267-03	1	Bracket-Spring	17	3-7898	4	Washer-Thrust
4	32144-109	2	Screw-Thd	18	110-4296	2	Shaft-Stub
5	3256-28	1	Washer-Flat	19	110-4621	1	Turfguard ASM
6	110-4416	1	Sleeve-Rod, Spring	19:2	125-3318	12	Screw-Neck, Rib
7	110-4417	1	Spring-Compression	20	3256-24	12	Washer-Flat
8	110-4421	1	Rod-Spring	99	120-1044	2	Guard-Turf, 3-Tine (Short) ■
9	3218-5	3	Nut-Jam	99	120-1045	2	Guard-Turf, 4-Tine (Short) ● ■
10	99-8662	1	Tube-Spring	99	120-1046	1	Guard-Turf, 4-Tine, Long ● ■
11	323-45	1	Screw-HH	99	120-1047	2	Guard-Turf, 5 Tine, Short ● ■
12	32128-40	2	Nut-Flange	99	120-1051	1	Guard-Turf, 3-Tine, Long ■
13	3231-25	4	Bolt-CARR	99	120-1052	1	Guard-Turf, 5 Tine, Long ● ■
14	104-8301	16	Nut-HF, NI				

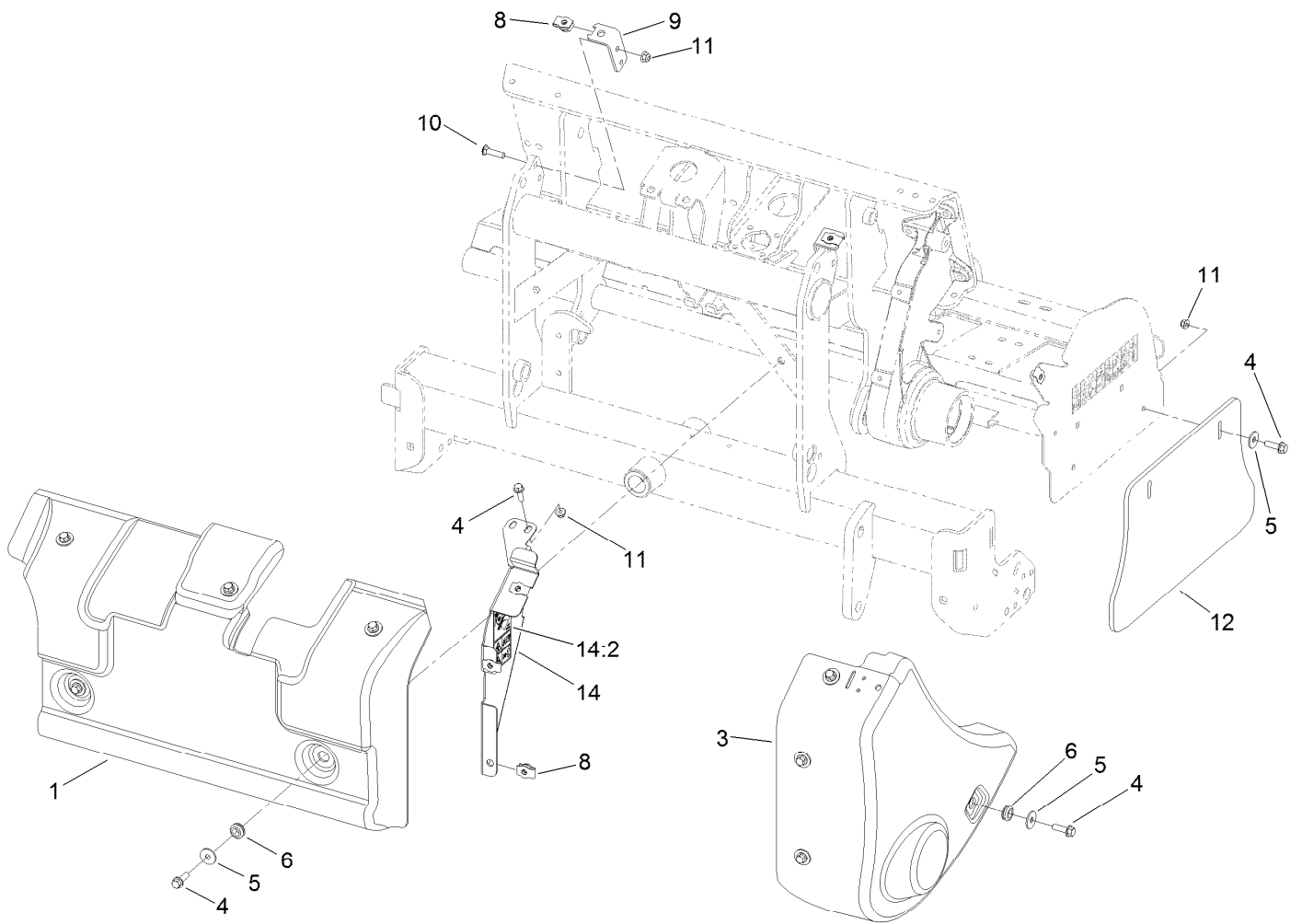
● Not illustrated

■ Optional Equipment



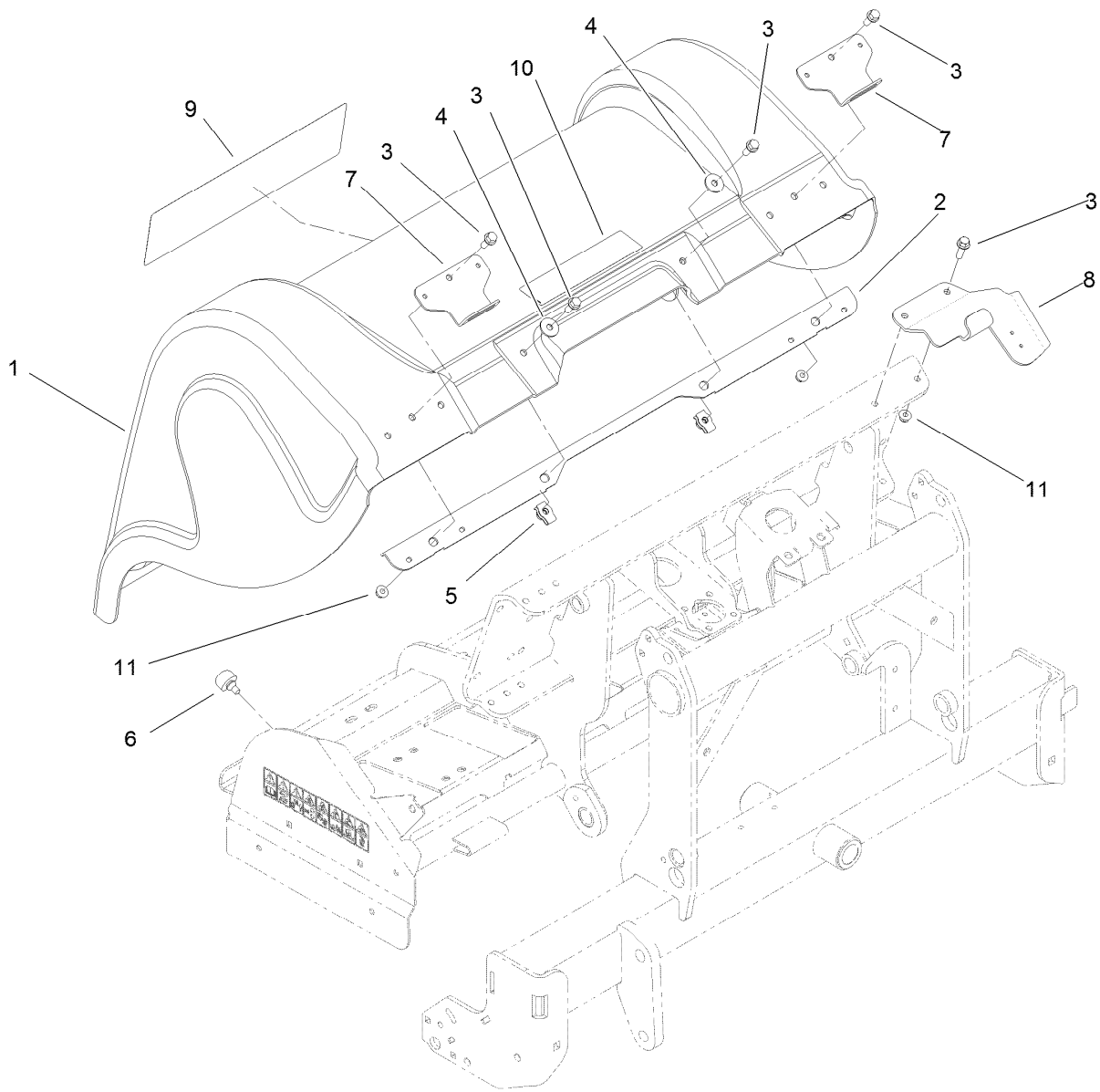
Right Hand Front Cover Assembly

<i>Ref.</i>	<i>Part Number</i>	<i>Qty.</i>	<i>Description</i>	<i>Ref.</i>	<i>Part Number</i>	<i>Qty.</i>	<i>Description</i>
1	110-4468	1	Cover-Front, RH	11	104-8301	8	Nut-HF, NI
2	110-4466	1	Shield-Pulley, RH	12	105-1069	1	Shield-Side
3	110-4683	1	Yoke Cover ASM	15	110-4680	1	RH Shield Support ASM
3:2	110-4668	1	Decal-Warning, PTO	15:2	110-4667	1	Decal-Warning, Spring
4	3234-24	15	Screw-HHF	16	32144-109	4	Screw-Thd
5	93-8806	15	Washer-Hardened	17	104-7050	1	Tube-Manual
6	110-4697	13	Mount-Isolated	18	104-7048	1	Cap-Housing
8	105-4886	7	Nut-Tinnerman	19	2412-120	2	Clamp-R
9	110-4478	2	Support-Cover, Front	22	114439	2	Rivet-Blind
10	3231-25	4	Bolt-CARR	23	3256-61	2	Washer-Flat



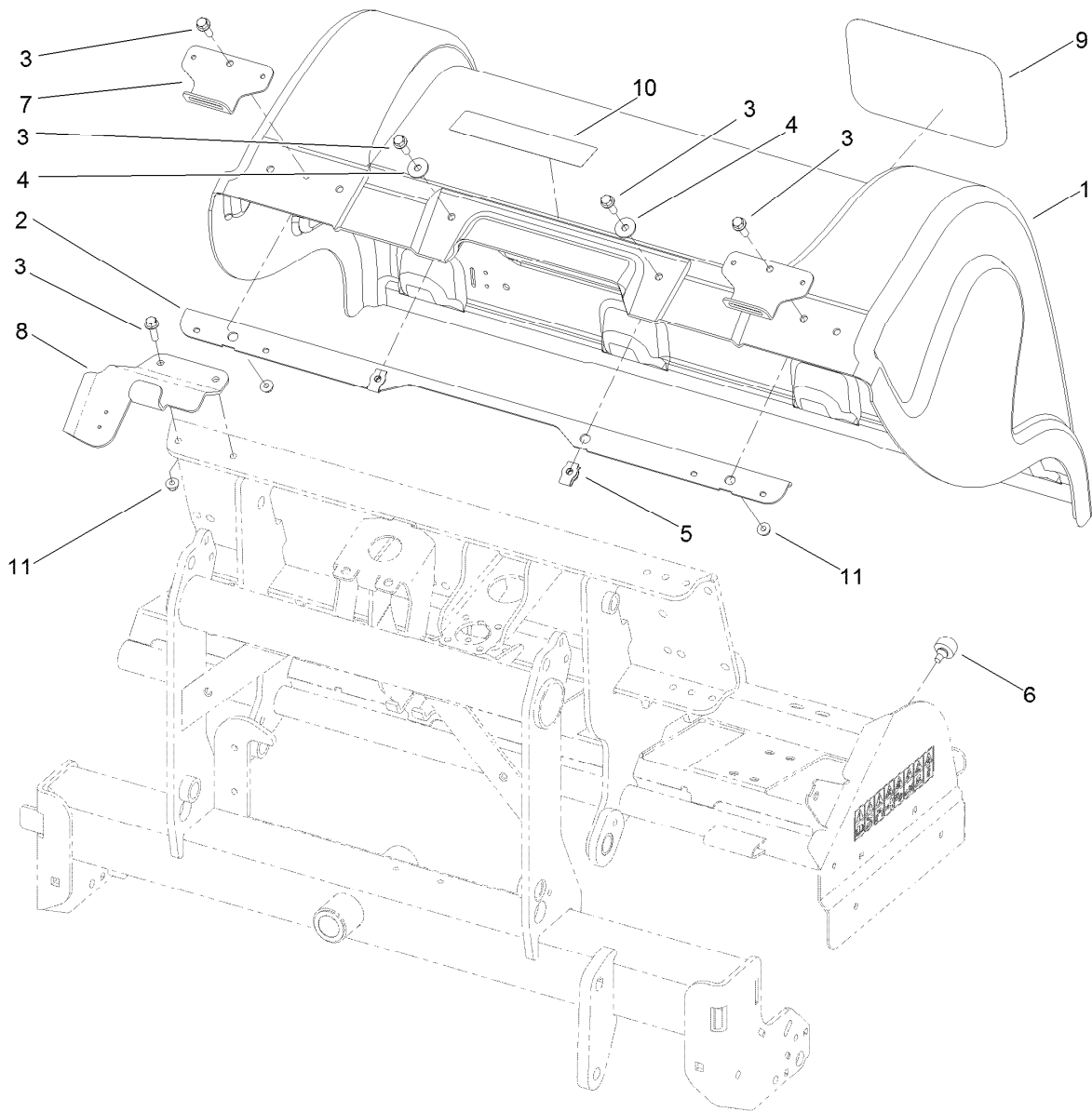
Left Hand Front Cover Assembly

Ref.	Part Number	Qty.	Description
1	110-4469	1	Cover-Front, LH
3	110-4467	1	Shield-Pulley, LH
4	3234-24	15	Screw-HHF
5	93-8806	11	Washer-Hardened
6	110-4697	9	Mount-Isolated
8	105-4886	7	Nut-Tinnerman
9	110-4478	2	Support-Cover, Front
10	3231-25	4	Bolt-CARR
11	104-8301	8	Nut-HF, NI
12	105-1069	1	Shield-Side
14	110-4681	1	LH Shield Support ASM
14:2	110-4667	1	Decal-Warning, Spring



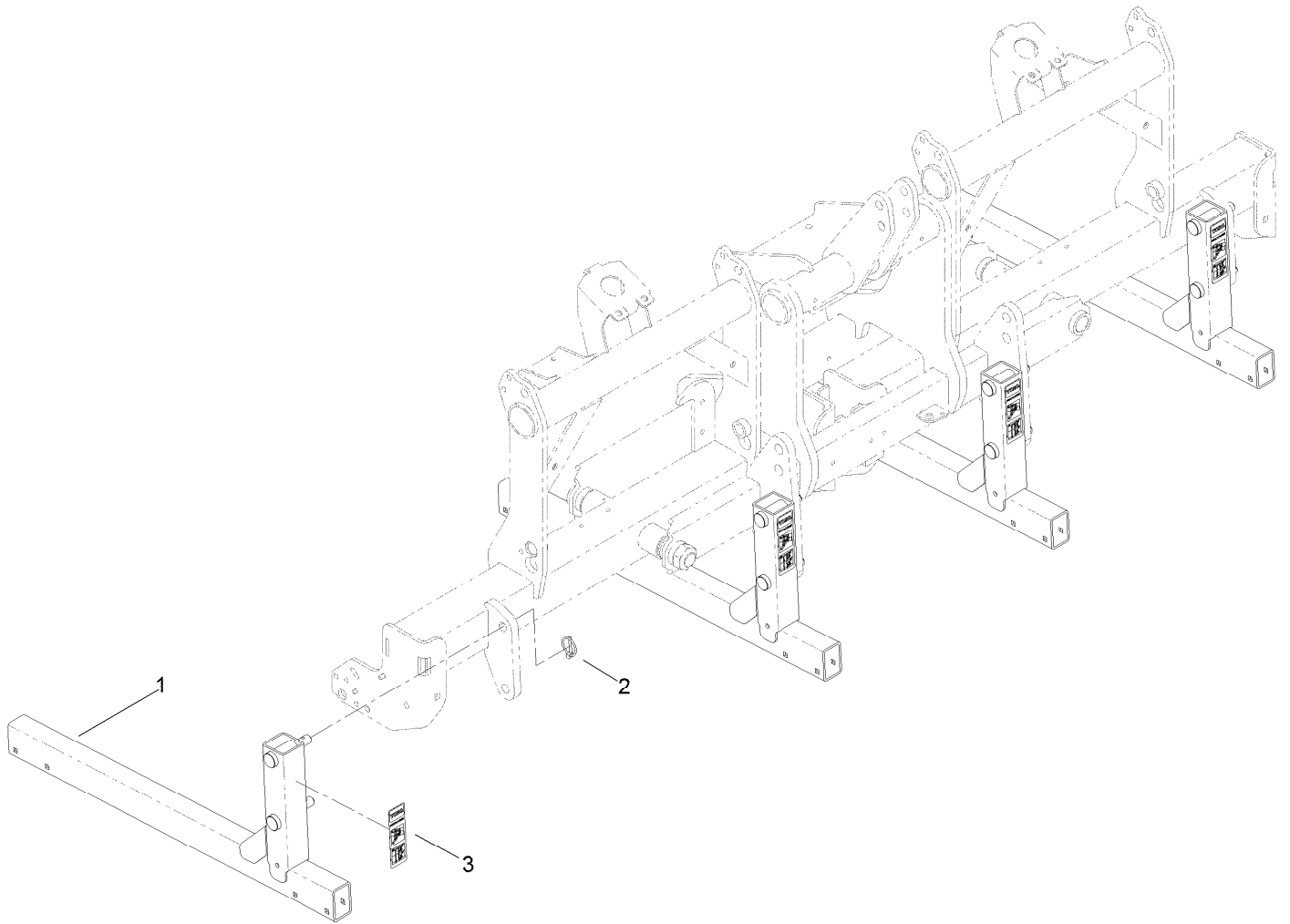
Right Hand Rear Cover Assembly

<i>Ref.</i>	<i>Part Number</i>	<i>Qty.</i>	<i>Description</i>
1	110-4464	1	Hood-Rear
2	110-4481-03	1	Stiffener-Hood
3	3234-24	6	Screw-HHF
4	93-8806	2	Washer-Hardened
5	105-4886	2	Nut-Tinnerman
6	87-2440	4	Bumper-Rubber
7	110-4552-03	2	Stirrup-Hood
8	110-4479-03	1	Mount-Latch, RH
9	110-4425	1	Decal-Procore
10	106-8856	1	Decal - Tine Depth, CE
11	104-8301	4	Nut-HF, NI



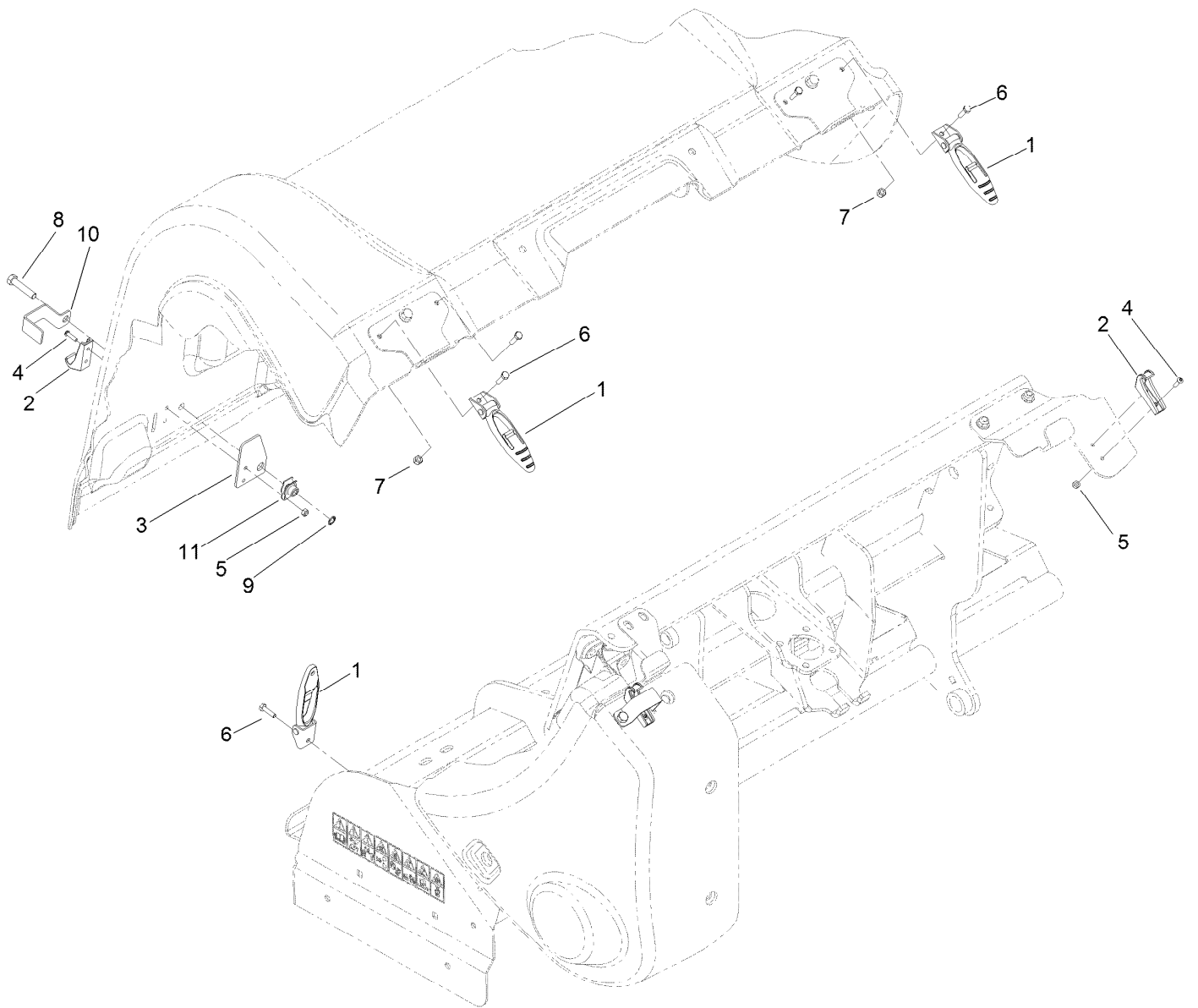
Left Hand Rear Cover Assembly

<i>Ref.</i>	<i>Part Number</i>	<i>Qty.</i>	<i>Description</i>
1	110-4464	1	Hood-Rear
2	110-4481-03	1	Stiffener-Hood
3	3234-24	6	Screw-HHF
4	93-8806	2	Washer-Hardened
5	105-4886	2	Nut-Tinnerman
6	87-2440	4	Bumper-Rubber
7	110-4552-03	2	Stirrup-Hood
8	110-4480-03	1	Mount-Latch, LH
9	67-7310	1	Decal
10	106-8856	1	Decal - Tine Depth, CE
11	104-8301	4	Nut-HF, NI



Storage Stand Assembly

<i>Ref.</i>	<i>Part Number</i>	<i>Qty.</i>	<i>Description</i>
1	110-4292-03	4	Stand
2	92-1298	8	Pin-Lynch
3	110-4666	4	Decal-Service, Storage



Cover Latch Assembly

<i>Ref.</i>	<i>Part Number</i>	<i>Qty.</i>	<i>Description</i>
1	103-2898	8	Latch-Rubber
2	103-2897	8	Latch-Catch
3	110-4672	6	Plate-Reinforcement
4	104-2408	16	Screw-HSBH
5	3296-2	16	Nut-Lock, NI
6	321-6	12	Screw-HH
7	3296-42	12	Nut-Lock, NI
8	323-53	6	Screw-HH
9	32151-72	6	Ring-Retaining
10	110-4673	6	Lock-Latch, CE
11	105-4886	6	Nut-Tinnerman

Attachments and Accessories

For 09716 ProCore 1298 Aerator

Product Name	Model/Part
Three-Tine Head Quick Lock	09711
Four-Tine Head Quick Lock	09719
2 x 5 Mini Tine Head	09736
1 x 6 Mini Tine Head	09737
Needle Tine Head	09739
3/4in Three-Tine Head	09794
3/4in Four-Tine Head	09796
7/8in Three-Tine Head	09797
Premium All Season Gear Lube (5 Gallon Pail)	108-1187
Premium All Purpose Grease (Tube)	108-1190
Premium All Season Gear Lube (Quart)	108-1590
Procore Ce Completion Kit	110-4693
Sleeve Tool ASM	114-0590-01
Guarded Driveshaft	115-2839
Turf Guard 3 Tine (Short)	120-1044
Turf Guard 4 Tine (Short)	120-1045
4-Tine Turf Guard (long)	120-1046
Turf Guard 5 Tine (Short)	120-1047
Turf Guard 6 Tine (Short)	120-1050
3-Tine Turf Guard (long)	120-1051
5-Tine Turf Guard (long)	120-1052
6-Tine Turf Guard (long)	120-1053



Count on it.