



Greensmaster[®] 3050
Two Wheel Drive Traction Unit
Model No. 04351—230000001 and Up

Parts Catalog

Ordering Replacement Parts

To order replacement parts, please supply: the part number, the quantity, and the description of each part desired.

Understanding Reference Numbers

Each identified part in an illustration has a reference number. The reference number for a part also appears in the parts list, along with other information about the part.

This catalog uses two special reference number formats, one to indicate parts in a service assembly and another to indicate the quantity of a given part in an illustration.

Service Assembly Reference Numbers

Parts in service assemblies have reference numbers in the form **a:b**. The **a** represents the reference number of the entire service assembly and the **b** represents a sequential number unique to each part within the service assembly.

For example, a wheel assembly might be identified by reference number **6**, the tire by **6:1**, the valve by **6:2**, and the wheel by **6:3**. When you order the assembly identified by reference number **6**, you receive all parts identified by reference numbers **6:1**, **6:2**, and **6:3**. However, you may also order any part individually.

Reference numbers of this type appear in illustrations and in part lists.

Reference Numbers Indicating Quantity

In an illustration, if a reference number indicates more than one part, the reference number has the form **nX y**. The **n** represents the quantity of the part, the **X** is the multiplication symbol, and the **y** represents the reference number.

For example, in an illustration, the reference number **2X 37** means that two of the parts identified by reference number **37** are indicated.

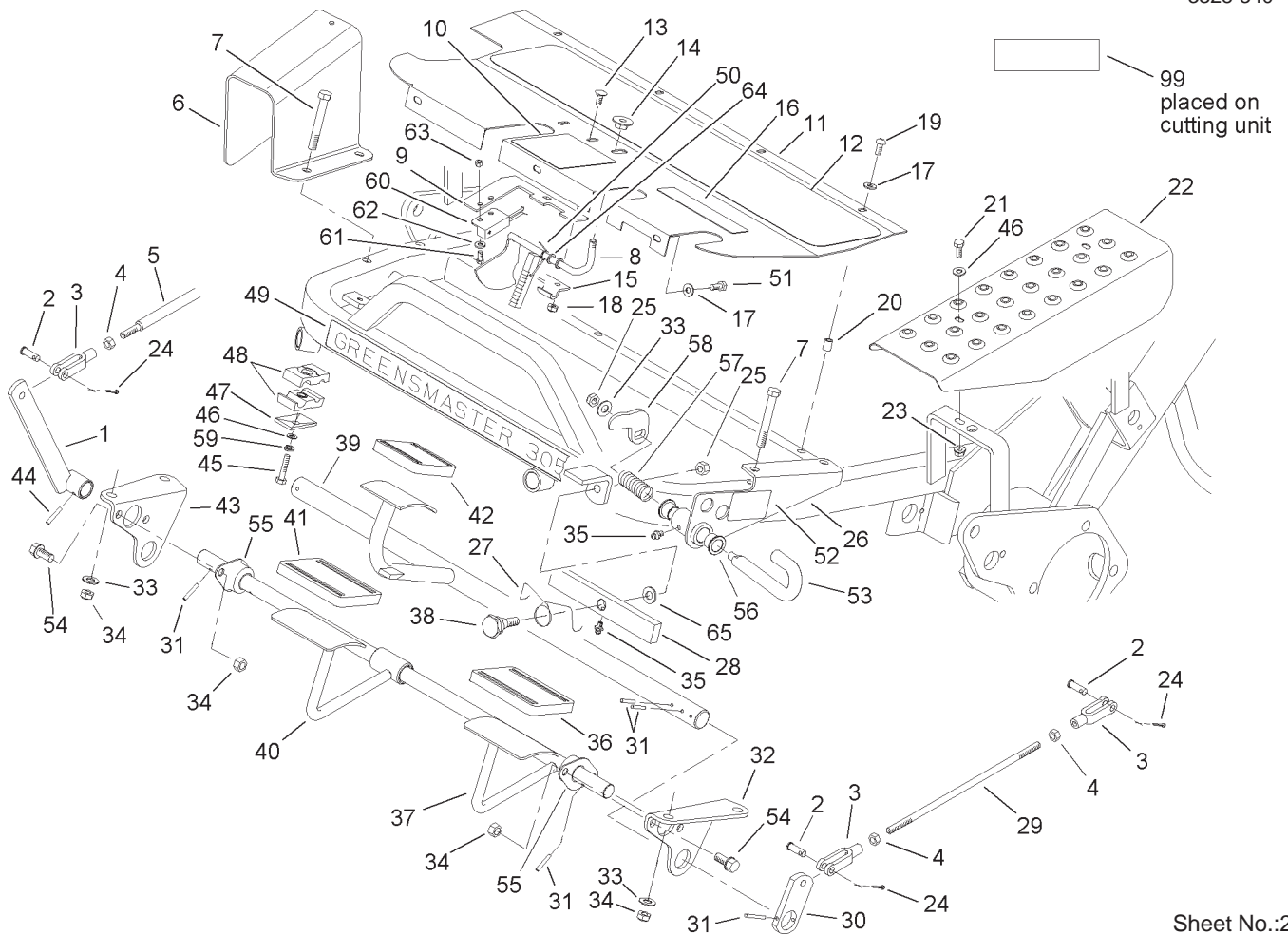
Contents

Description	Page	Description	Page
Control Pedal Assembly	3	Reel Motor Installation Assembly	33
Traction Control Assembly	5	Reel Motor Assembly No. 105-9770	34
Front Wheel and Brake Assembly	6	Wiring Assembly	35
Hydraulic Wheel Motor Assembly No. 92-9199	7	Cylinder Assembly	
Steering Arm Assembly	8	Briggs and Stratton Model 303447-1408-E1	36
Right Hand Pull Frame Assembly	9	Crankshaft Assembly	
Hydraulic Cylinder Assembly No. 105-3822 ...	11	Briggs and Stratton Model 303447-1408-E1	37
Left Hand Pull Frame Assembly	12	Cylinder Head Assembly	
Rear Pull Frame Assembly	13	Briggs and Stratton Model 303447-1408-E1	38
Hydraulic Cylinder Assembly No. 105-3823 ...	15	Carburetor Assembly	
Seat Assembly	16	Briggs and Stratton Model 303447-1408-E1	39
Control Valve Installation Assembly	17	Air Cleaner Assembly	
Control Valve Assembly No. 105-3800	19	Briggs and Stratton Model 303447-1408-E1	40
Control Valve Section 1 Assembly No. 105-3801	20	Blower Housing Assembly	
Control Valve Section 2 Assembly No. 105-3802	21	Briggs and Stratton Model 303447-1408-E1	41
Control Valve Section 3 Assembly No. 105-3803	22	Governor Assembly	
Control Valve Section 4 Assembly No. 105-3804	23	Briggs and Stratton Model 303447-1408-E1	42
Control Valve Section 5 Assembly No. 93-1386	24	Flywheel Assembly	
Engine Installation Assembly	25	Briggs and Stratton Model 303447-1408-E1	43
Hydraulic Pump Installation Assembly	26	Starter Assembly	
Gear Pump Assembly No. 95-5976	27	Briggs and Stratton Model 303447-1408-E1	44
Frame Assembly	28	Engine Gasket Set	
Rear Wheel Assembly	29	Briggs and Stratton Model 303447-1408-E1	45
Control Panel Assembly	30	Carburetor Overhaul and Valve Gasket Kit	
Hydraulic Reservoir Assembly	31	Briggs and Stratton Model 303447-1408-E1	46
Fuel Tank Assembly	32	Special Tools	47

Part Description Abbreviations

Part descriptions in this catalog may include the following abbreviations.

Abbreviation	Meaning	Abbreviation	Meaning
AR	as required	HYD	hydraulic
ASM	assembly	INC	incorporated
CARR	carriage	LH	left hand
DEG	degrees	NI	nylon insert
FH	flat head	PPH	Phillips pan head
GA	gauge	PTH	Phillips truss head
HF	hex flange	PTO	power take off
HH	hex head	RH	right hand
HHF	hex head flange	SFH	slotted fillister head
HLH	hex lag head	SHH	slotted hex head
HJ	hex jam	SQH	square head
HOC	height-of-cut	SHWH	slotted hex washer head
HS	hex socket	SPH	slotted pan head
HSBH	hex socket button head	SRH	slotted round head
HSFH	hex socket flat head	STD	standard
HSH	hex socket head	TAP	self tapping
HWH	hex washer head	TTH	Torx truss head
HWHTF	hex washer head thread forming	WH	wing head

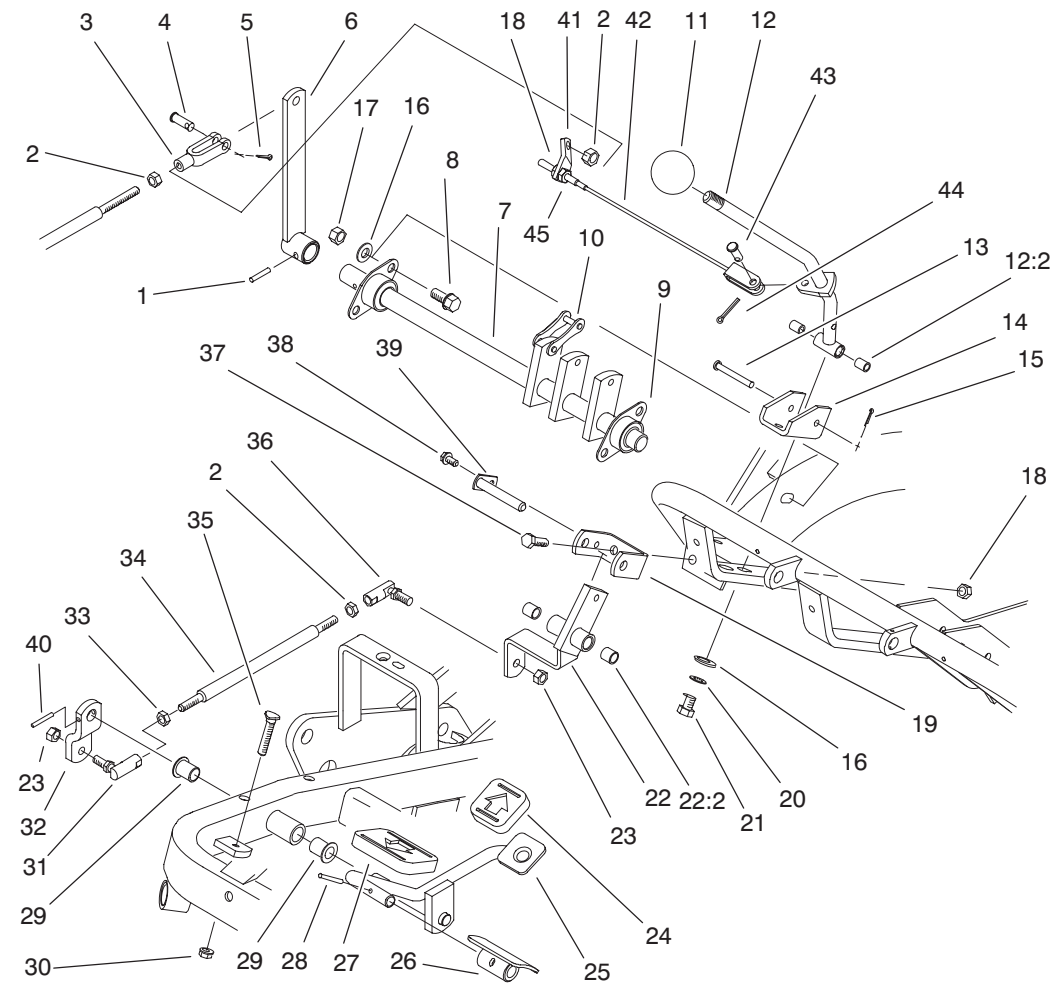


Sheet No.:2

Control Pedal Assembly

Ref. No.	Part No.	Qty.	Description
1	49-6200-01	1	Lever-Cutting
2	283-61	5	Pin-Yoke
3	282-2	5	Yoke
4	3220-2	5	Nut
5	49-5430	1	Rod-Control
6	49-61 10-01	1	Guard
7	323-13	4	Screw-HH
8	100-9819	1	Latch ASM
9	100-9821	1	Plate-Switch, Reed
10	93-8062	1	Decal-Brake, Parking
11	83-0640-01	1	Plate-Footrest
12	49-6120	1	Pad-Footrest
13	3229-1 1	2	Screw-CARR
14	32141-1 11	1	Nut-Adjusting
15	95-1629	1	Hinge-Lower
16	93-8075	1	Decal-Mow/Lift
17	3256-1	7	Washer-Flat
18	3296-16	2	Nut-Lock, NI
19	3274-31	4	Screw-HSBH
20	32148-6	8	Insert-Nut
21	321-4	2	Screw-HH
22	83-0200-01	1	Plate-Cover, LH
23	32128-33	2	Nut-HF
24	3272-6	5	Pin-Cotter
25	3296-39	2	Nut-Lock, NI
26	93-9901-01	1	Bracket-Lockout, Mow

Ref. No.	Part No.	Qty.	Description
27	83-0080	1	Spring-Pivot, Lift
28	106-6396	1	Lift-Pivot
29	27-2270	2	Rod-Adjustment, Brake
30	10-8100-01	2	Strap-Shaft, Brake
31	32121-35	8	Pin-Roll
32	88-9640-01	1	Bracket-Lift Pivot, LH
33	3256-24	5	Washer-Flat
34	3296-59	8	Nut-Lock, NI
35	302-5	2	Fitting-Grease
36	93-7631	1	Pad-Foot, Lift
37	106-6395	1	Cutting Control Shaft ASM
38	83-2590	1	Bolt-Shoulder, Pivot
39	83-0160	1	Shaft-Brake
40	106-6394	1	Mow Pedal ASM
41	93-7630	1	Pad-Foot
42	93-7629	1	Pad-Foot, Brake
43	88-9630-01	1	Bracket-Lift Pivot, RH
44	32121-6	1	Pin-Roll
45	321-1 1	1	Screw-HH
46	3256-22	3	Washer-Flat
47	69-9760	1	Coverplate
48	56-7970	2	Clamp-Tube
49	95-5997	1	Decal
50	10-8140	1	Spring-Latch, Brake



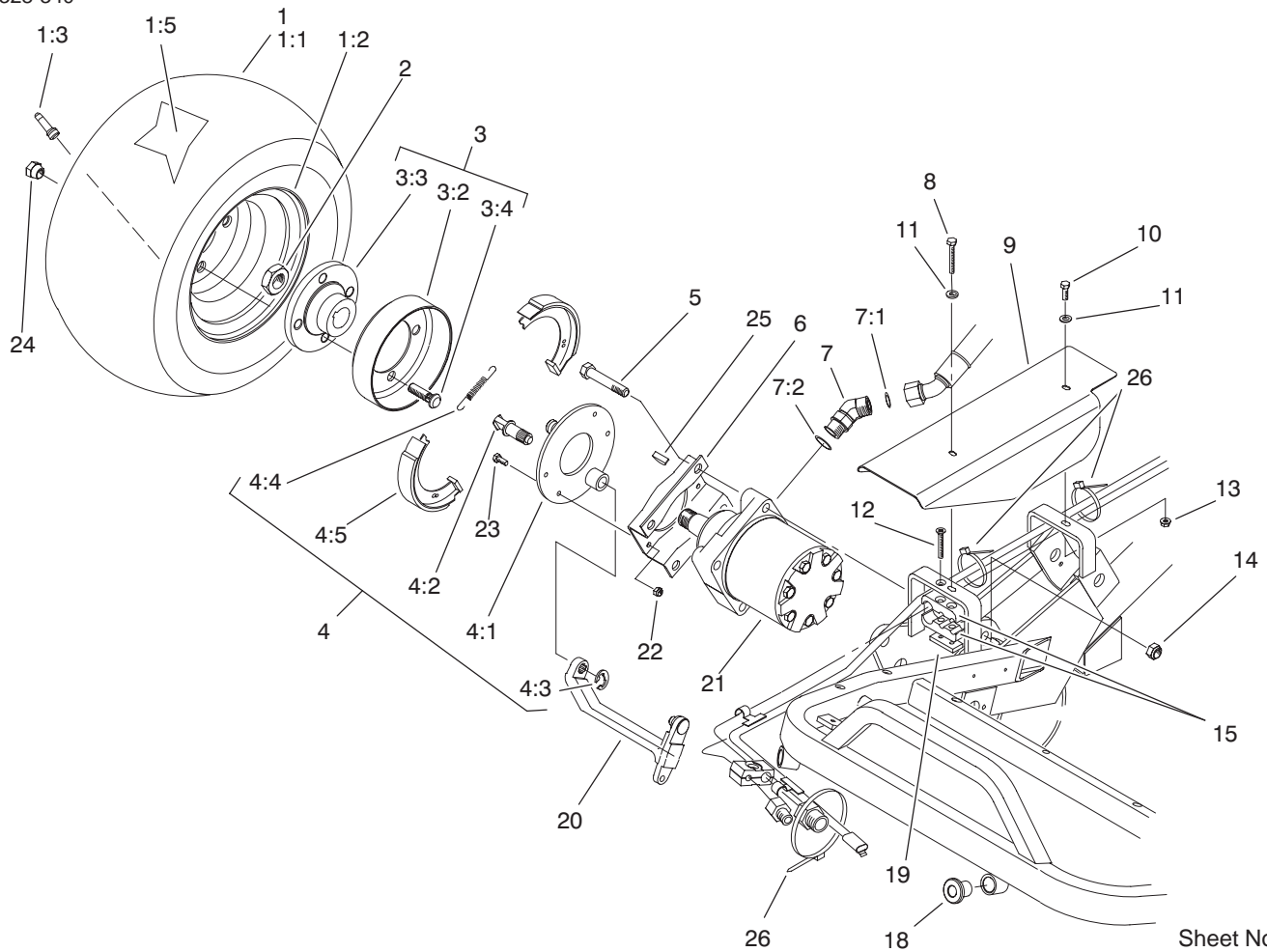
Sheet No.:3

Traction Control Assembly

Ref. No.	Part No.	Qty.	Description
1	32121-6	1	Pin-Roll
2	3220-2	4	Nut
3	282-2	1	Yoke
4	283-61	1	Pin-Yoke
5	3272-6	1	Pin-Cotter
6	47-5320-01	1	Lever
7	44-0870	1	Cam Shaft ASM
8	3234-1	4	Screw-HHF
9	27-2320	2	Bearing
10	57-6220	5	Link-Connecting
11	233-48	1	Knob
12	93-9934	1	Handle-Traction
12:2	256-251	2	Bushing
13	283-57	1	Pin
14	49-6220	1	Bracket-Arm, Control
15	3272-4	1	Pin-Cotter
16	3256-24	6	Washer-Flat
17	3296-59	4	Nut-Lock, NI
18	3296-29	3	Nut-Lock, NI
19	49-6250	1	Bracket-Pivot
20	3254-6	2	Washer-Lock, Internal
21	3211-2	2	Screw-HH
22	49-6260	1	Pivot ASM
22:2	256-2	2	Bushing
23	3296-4	2	Nut-Lock, NI
24	74-91 10	1	Pad-Pedal, Reverse

Ref. No.	Part No.	Qty.	Description
25	83-0540-01	1	Traction Pedal ASM
26	49-6440-03	1	Pedal-Forward
27	74-9100	1	Pad-Pedal, Forward
28	32121-45	1	Pin-Spring
29	256-155	2	Bushing-Flange
30	32128-20	1	Nut-HF
31	2411-42	1	Joint-Ball, LH
32	83-0630	1	Arm-Pivot, Traction
33	3220-20	1	Nut-Jam
34	83-0580	1	Rod-Control, Traction
35	17-9420	1	Screw-Handle
36	2411-43	1	Joint-Ball
37	322-5	2	Screw-HH
38	12-3270	1	Screw
39	49-6290	1	Pivot Shaft ASM
40	32121-51	1	Pin-Roll
41	93-9936	1	Bracket-Return, Traction
42	93-9937	1	Traction Cable ASM
43	283-62	1	Pin-Clevis
44	3272-10	1	Pin-Cotter
45	3217-6	1	Nut-Hex

3328-340



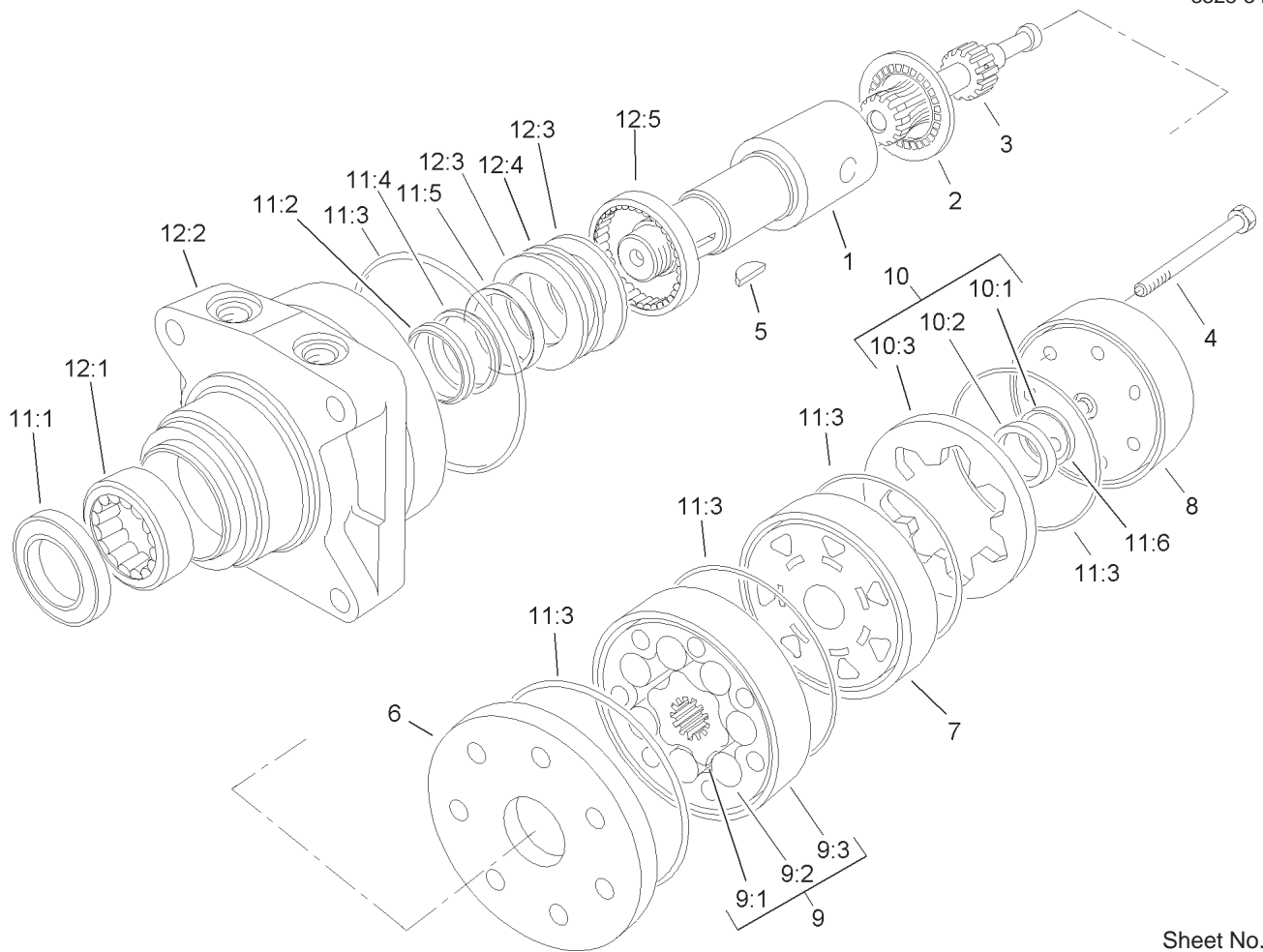
Sheet No.:4

Front Wheel and Brake Assembly

Ref. No.	Part No.	Qty.	Description
☆1		2	Wheel And Tire ASM
1:1	28-3680	1	Tire
1:2	217-60	1	Rim
1:3	232-27	1	Stem-V alve
1:5	232-37	1	Tube
2	26-3790	2	Nut-Lock
3	10-6821	2	Brake Drum ASM
3:2	10-6850	1	Drum-Brake
3:3	10-6870-03	1	Hub-Wheel
3:4	85-6540	4	Stud-Drive
4	104-7705	2	Brake ASM
4:1	70-9870	1	Plate-Backing
4:2	104-7707	1	Shaft-Cam, Brake
4:3	104-7706	1	E Ring-Bowed
4:4	70-9880	2	Spring-Return
4:5	70-9840	2	Shoe-Brake
5	325-11	8	Screw-HH
6	84-2000-03	2	Bracket-Brake
7	340-14	4	Fitting-HYD, 45°
7:1	237-65	1	O-Ring
7:2	237-80	1	O-Ring
8	321-11	1	Screw-HH
9	83-0190-01	1	Cover-RH
10	321-4	1	Screw-HH
11	3256-22	2	Washer-Flat
12	32108-100	1	Screw-FH

Ref. No.	Part No.	Qty.	Description
13	32128-33	1	Nut-HF
14	3296-23	8	Nut-Lock, NI
15	57-6140	2	Clamp-Tube, Half
18	83-1700	3	Bushing-Flange
19	83-1220	1	Plate-Clamp
20	93-2096	2	Lever-Brake
21	92-9199	2	Motor-Wheel, HYD
22	3296-42	8	Nut-Lock, NI
23	321-5	8	Screw-HH
24	242-50	8	Nut-Lug
25	3257-42	2	Key-Woodruff
26	3290-378	3	Tie-Cable

☆ Not serviced separately



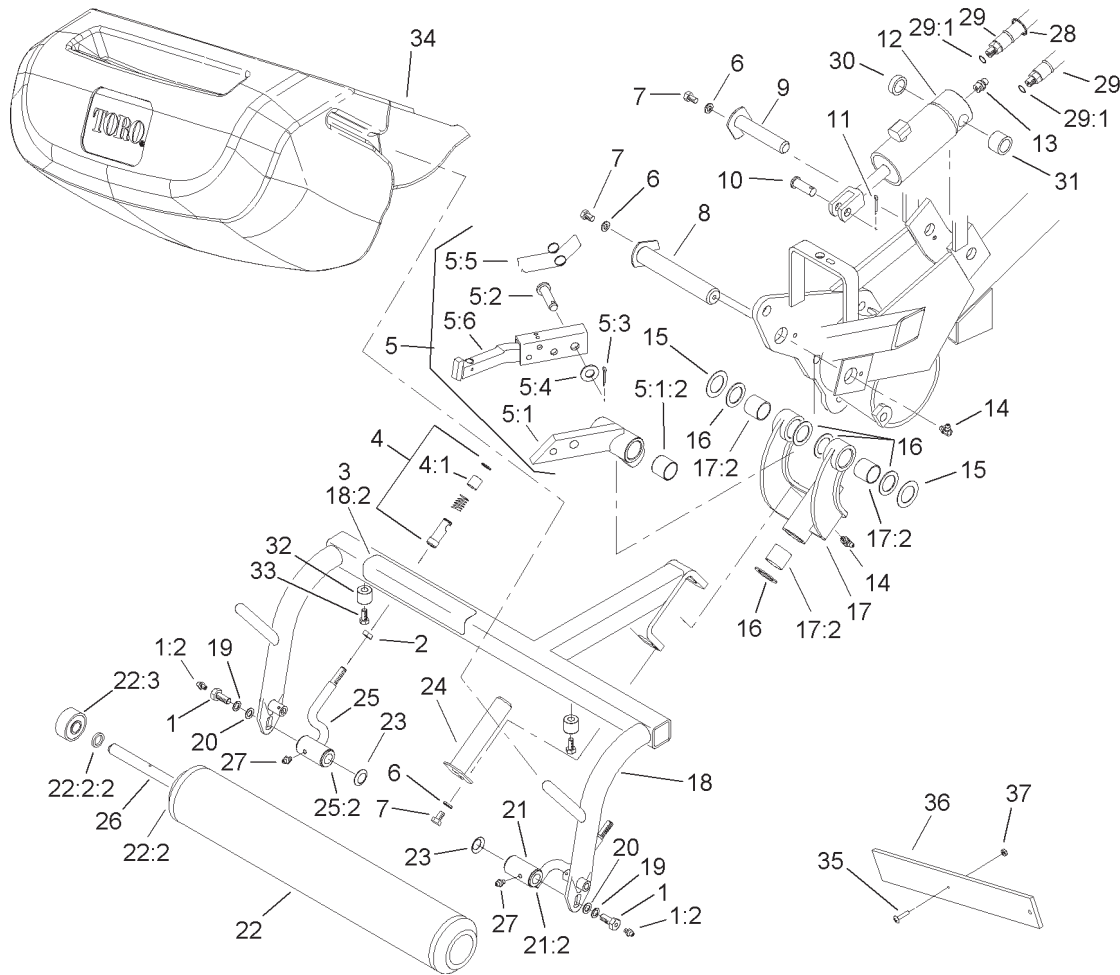
Sheet No.:A1

Hydraulic Wheel Motor Assembly No. 92-9199

Ref. No.	Part No.	Qty.	Description
1	76-0860	1	Shaft-Coupling
2	76-0850	1	Bearing-Thrust
3	92-9761	1	Link-Drive
4	92-9762	7	Screw-HH
5	3257-42	1	Key-Woodruff
6	76-0870	1	Plate-Wear
7	76-0840	1	Manifold
8	76-0940	1	End Cover ASM
9	92-9763	1	Rotor Set
☆9:1		1	Rotor
☆9:2		1	Vane
☆9:3		1	Stator
10	76-0880	1	Commutator ASM
☆10:1		1	Seal-Commutator
☆10:2		1	Commutator
☆10:3		1	Ring-Commutator
11	94-8178	1	Seal Kit
☆11:1		1	Seal-Dirt And Water
☆11:2		1	Washer-Backup
☆11:3		5	Seal-Ring
☆11:4		1	Washer-Backup
☆11:5		1	Seal-Inner
☆11:6		1	Seal-Commutator
12	76-0810	1	Housing ASM
☆12:1		1	Bearing
☆12:2		1	Housing

Ref. No.	Part No.	Qty.	Description
☆12:3		2	Washer-Thrust
☆12:4		1	Bearing-Thrust
☆12:5		1	Bearing

☆ Not serviced separately



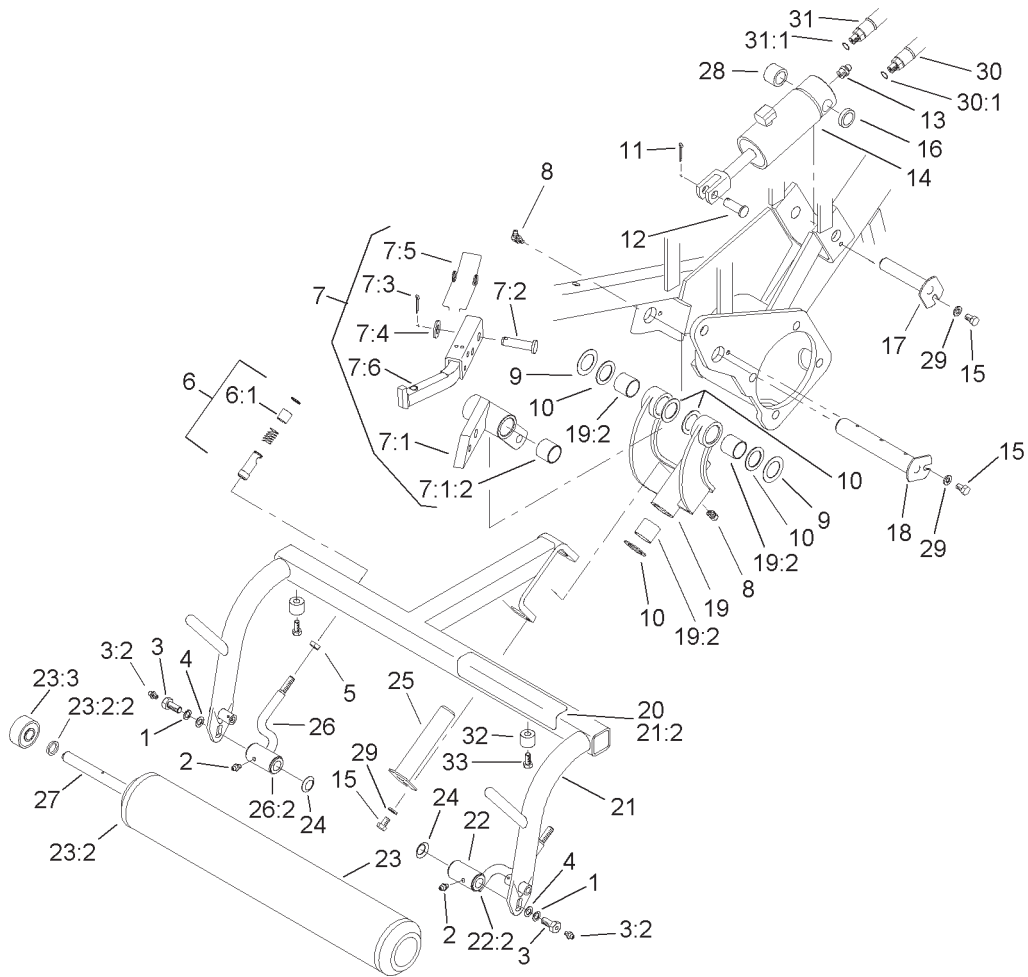
Sheet No.:6

Right Hand Pull Frame Assembly

Ref. No.	Part No.	Qty.	Description
1	11-0160	2	Roller Shaft Screw ASM
1:2	302-5	1	Fitting-Grease
2	3220-3	2	Nut-Jam
3	93-8064	1	Decal-Danger , Ce
4	99-1460	2	Ball Joint Receiver ASM
4:1	99-1461	1	Sleeve-Joint, Ball
☆5		1	RH Lift Arm ASM
5:1	62-2440	1	Lift Arm ASM
5:1:2	3-0348	2	Bushing
5:2	63-8750	1	Pin-Pivot
5:3	3272-1 1	1	Pin-Cotter
5:4	3256-26	1	Washer-Flat
5:5	57-7650	1	Spring-Torsion
5:6	94-5588-01	1	Bar-Lift
6	3256-23	3	Washer-Flat
7	322-1	3	Screw-HH
8	10-61 10	1	Pin-Hinge
9	10-6060	1	Pin-Pivot, Ram
10	283-8	1	Pin-Clevis
11	3272-1 1	1	Pin-Cotter
12	105-3822	1	HYD Cylinder ASM
13	302-2	1	Fitting-Grease
14	302-60	2	Fitting-Grease
15	5-1226	2	Washer

Ref. No.	Part No.	Qty.	Description
16	10-81 10	6	Washer-Thrust
17	10-7820	1	Pivot Hinge ASM
17:2	3-0348	4	Bushing
18	104-2055	1	Right Pull Frame ASM
18:2	62-5070	1	Decal-Warning
19	3253-21	2	Washer-Lock
20	3256-24	2	Washer-Flat
21	92-0586	1	Pull Arm ASM
21:2	3-1506	2	Bushing
22	99-4277	1	Roller ASM
☆22:2		2	Hub Yoke ASM
22:2:2	253-83	1	Seal-Oil
22:3	251-141	2	Bearing-Ball
23	3290-317	2	Washer-Spring
24	10-6090	1	Pin-Pivot
25	92-0585	1	Pull Arm ASM
25:2	3-1506	2	Bushing
26	21-8470	1	Shaft-Roller
27	302-5	2	Fitting-Grease
28	3290-378	1	Tie-Cable
29	92-9767	2	Hose
29:1	237-78	1	O-Ring
30	105-3828	1	Spacer
31	74-3730	1	Spacer-Spindle, Rear
32	94-4548	2	Bumper-Recessed
33	32144-44	2	Screw-HWH

☆ Not serviced separately



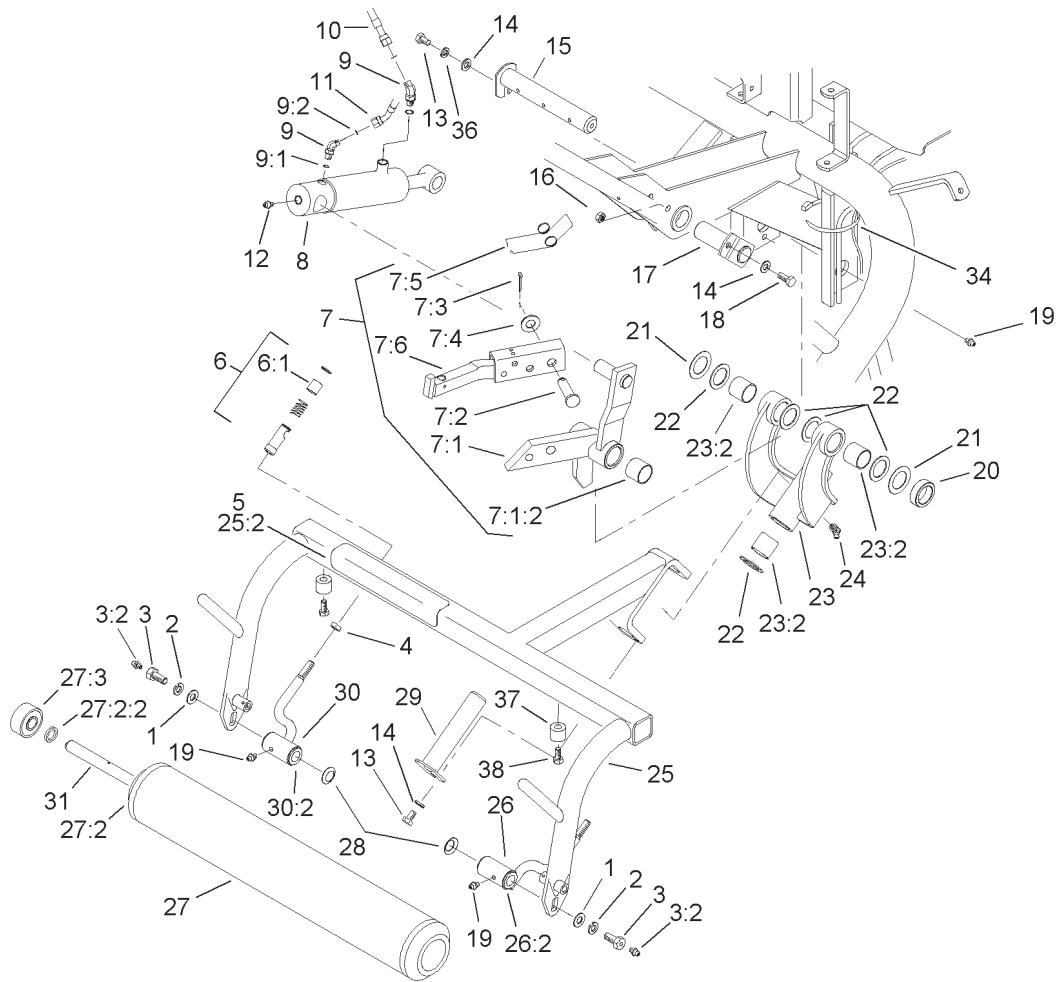
Sheet No.:7

Left Hand Pull Frame Assembly

Ref. No.	Part No.	Qty.	Description
1	3253-21	2	Washer-Lock
2	302-5	2	Fitting-Grease
3	11-0160	2	Roller Shaft Screw
3:2	302-5	1	Fitting-Grease
4	3256-24	2	Washer-Flat
5	3220-3	2	Nut-Jam
6	99-1460	2	Balljoint Receiver ASM
6:1	99-1461	1	Sleeve-Joint, Ball
☆7		1	LH Lift Arm ASM
7:1	62-2460	1	Lift Arm ASM
7:1:2	3-0348	2	Bushing
7:2	63-8750	1	Pin-Pivot
7:3	3272-1 1	1	Pin-Cotter
7:4	3256-26	1	Washer-Flat
7:5	57-7650	1	Spring-Torsion
7:6	94-5586-01	1	Bar-Lift
8	302-60	2	Fitting-Grease
9	5-1226	2	Washer
10	10-81 10	6	Washer-Thrust
11	3272-1 1	1	Pin-Cotter
12	283-8	1	Pin-Clevis
13	302-2	1	Fitting-Grease
14	105-3822	1	HYD Cylinder ASM
15	322-1	3	Screw-HH
16	105-3828	1	Spacer

Ref. No.	Part No.	Qty.	Description
17	10-6060	1	Pin-Pivot, Ram
18	10-61 10	1	Pin-Hinge
19	10-7820	1	Pivot Hinge ASM
19:2	3-0348	4	Bushing
20	93-8064	1	Decal-Danger , Ce
21	104-2054	1	Left Pull Frame ASM
21:2	62-5070	1	Decal-W arning
22	92-0586	1	Pull Arm ASM
22:2	3-1506	2	Bushing
23	99-4277	1	Roller ASM
☆23:2		2	Hub Yoke ASM
23:2:2	253-83	1	Seal-Oil
23:3	251-141	2	Bearing-Ball
24	3290-317	2	Washer-Spring
25	10-6090	1	Pin-Pivot
26	92-0585	1	Pull Arm ASM
26:2	3-1506	2	Bushing
27	21-8470	1	Shaft-Roller
28	74-3730	1	Spacer-Spindle, Rear
29	3256-23	3	Washer-Flat
30	83-1690	1	Hose-HYD
30:1	237-78	1	O-Ring
31	63-3850	1	Hose ASM
31:1	237-78	1	O-Ring
32	94-4548	2	Bumper-Recessed
33	32144-44	2	Screw-HWH

☆ Not serviced separately



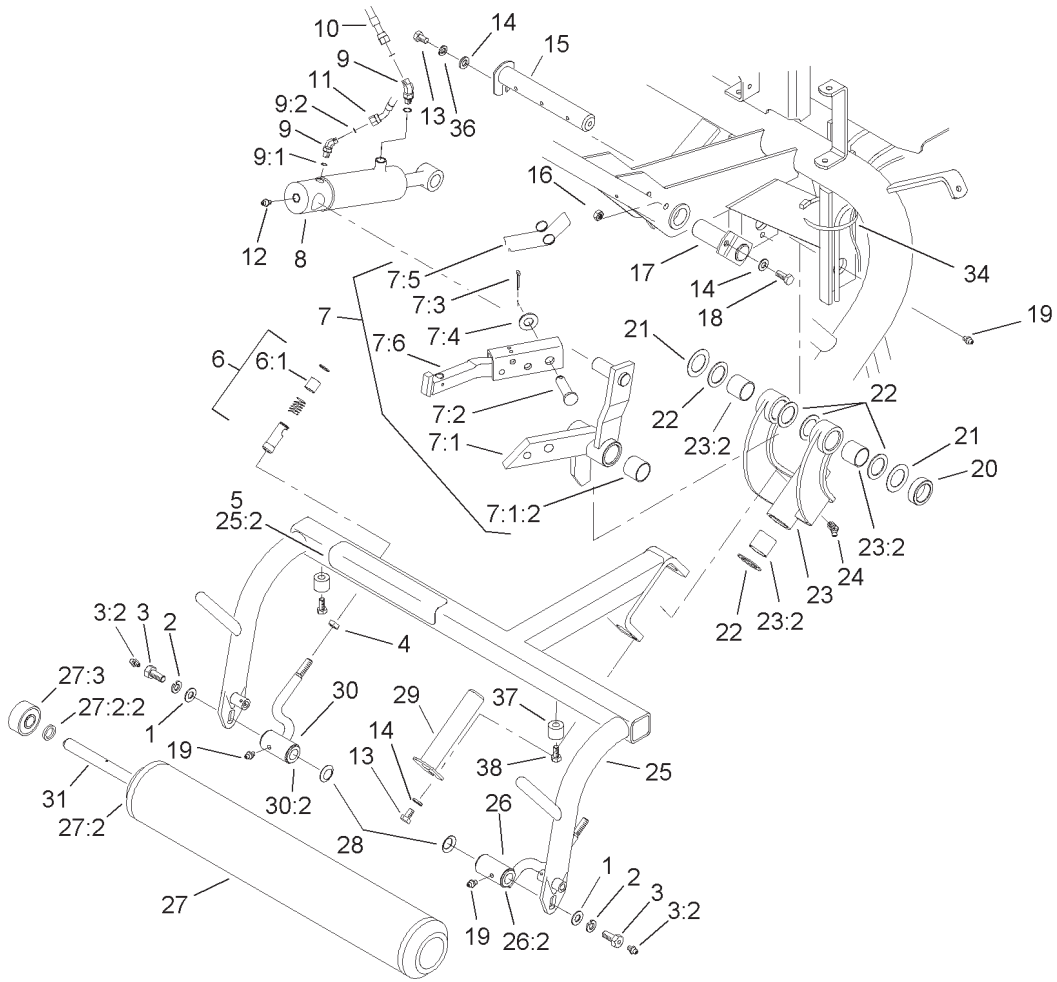
Sheet No.:8

Rear Pull Frame Assembly

Ref. No.	Part No.	Qty.	Description
1	3256-24	2	Washer-Flat
2	3253-21	2	Washer-Lock
3	11-0160	2	Roller Shaft Screw
3:2	302-5	1	Fitting-Grease
4	3220-3	2	Nut-Jam
5	93-8064	1	Decal-Danger, Ce
6	99-1460	2	Balljoint Receiver ASM
6:1	99-1461	1	Sleeve-Joint, Ball
☆7		1	Center Lift Arm ASM
7:1	68-5380	1	Center Lift Arm ASM
7:1:2	3-0348	2	Bushing
7:2	63-8750	1	Pin-Pivot
7:3	3272-1 1	1	Pin-Cotter
7:4	3256-26	1	Washer-Flat
7:5	57-7650	1	Spring-Torsion
7:6	62-2420-01	1	Bar-Lift
8	105-3823	1	HYD Cylinder ASM
9	340-103	2	Fitting-HYD, 45°
9:1	237-78	1	O-Ring
9:2	237-21	1	O-Ring
10	83-1680	1	Hose-HYD
11	88-9700	1	Hose-HYD
12	302-2	1	Fitting-Grease
13	322-1	2	Screw-HH
14	3256-23	3	Washer-Flat

Ref. No.	Part No.	Qty.	Description
15	27-2550	1	Pin-Hinge
16	3296-29	1	Nut-Lock, NI
17	68-5560	1	Pin-Cylinder, Pivot
18	322-3	1	Screw-HH
19	302-5	3	Fitting-Grease
20	93-2384	1	Spacer-Carrier
21	5-1226	2	Washer
22	10-81 10	6	Washer-Thrust
23	105-0452	1	Pivot Hinge ASM
23:2	3-0348	4	Bushing
24	302-60	1	Fitting-Grease
25	105-0451	1	Rear Pull Frame ASM
25:2	62-5070	1	Decal-W arning
26	92-0586	1	Pull Arm ASM
26:2	3-1506	2	Bushing
27	99-4277	1	Roller ASM
☆27:2		2	Hub Yoke ASM
27:2:2	253-83	1	Seal-Oil
27:3	251-141	2	Bearing-Ball
28	3290-317	2	Washer-Spring
29	10-6090	1	Pin-Pivot
30	92-0585	1	Pull Arm ASM
30:2	3-1506	2	Bushing
31	21-8470	1	Shaft-Roller
34	3290-379	1	Tie-Cable
36	3253-4	1	Washer-Lock

☆ Not serviced separately

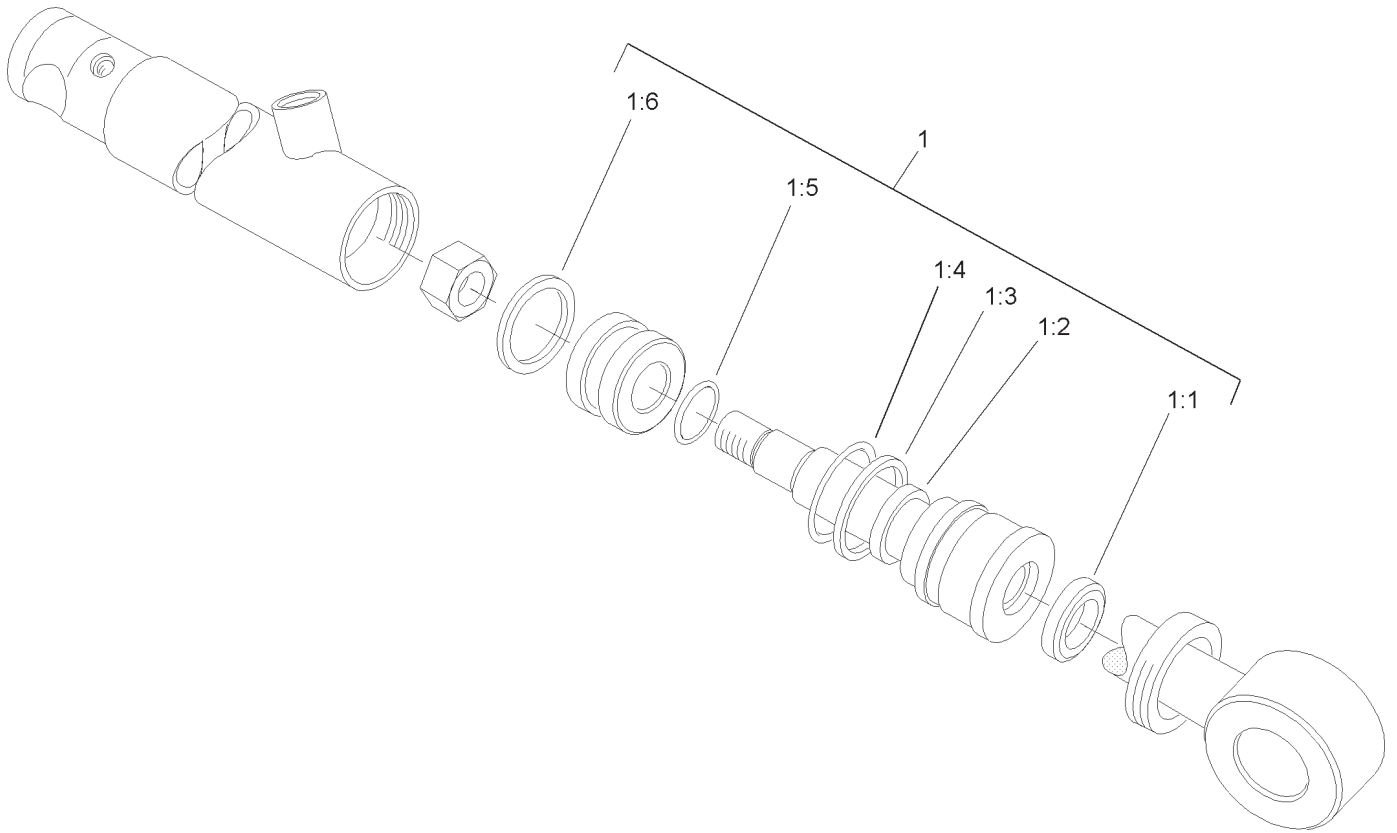


Sheet No.:8

Rear Pull Frame Assembly (Continued)

Ref. No.	Part No.	Qty.	Description
37	94-4548	2	Bumper-Recessed
38	32144-44	2	Screw-HWH

Ref. No.	Part No.	Qty.	Description
----------	----------	------	-------------



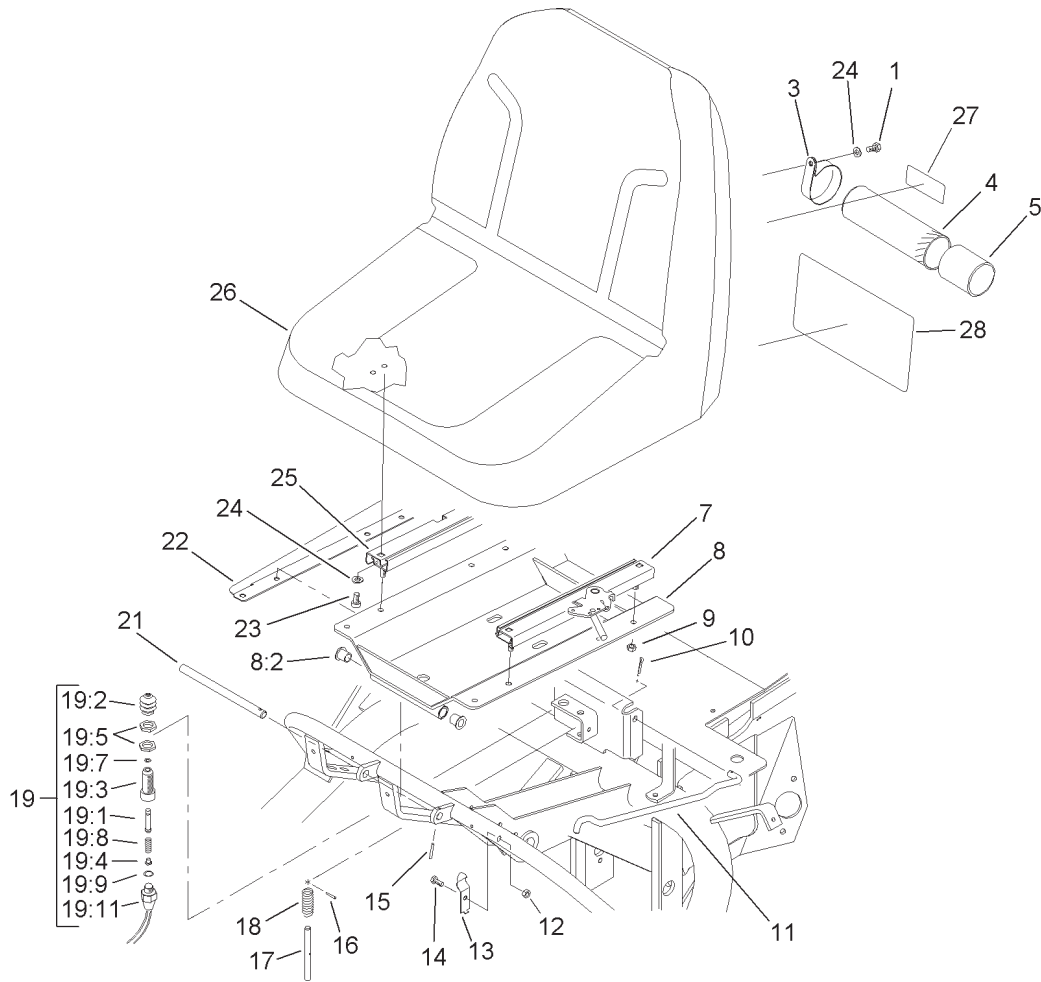
Sheet No.:A3

Hydraulic Cylinder Assembly No. 105-3823

Ref. No.	Part No.	Qty.	Description
1	105-3835	1	Seal Kit
☆1:1		1	Seal-Dust
☆1:2		1	Seal-Rod
☆1:3		1	Backup
☆1:4		1	O-Ring
☆1:5		1	O-Ring
☆1:6		1	T-Seal

Ref. No.	Part No.	Qty.	Description

☆ Not serviced separately

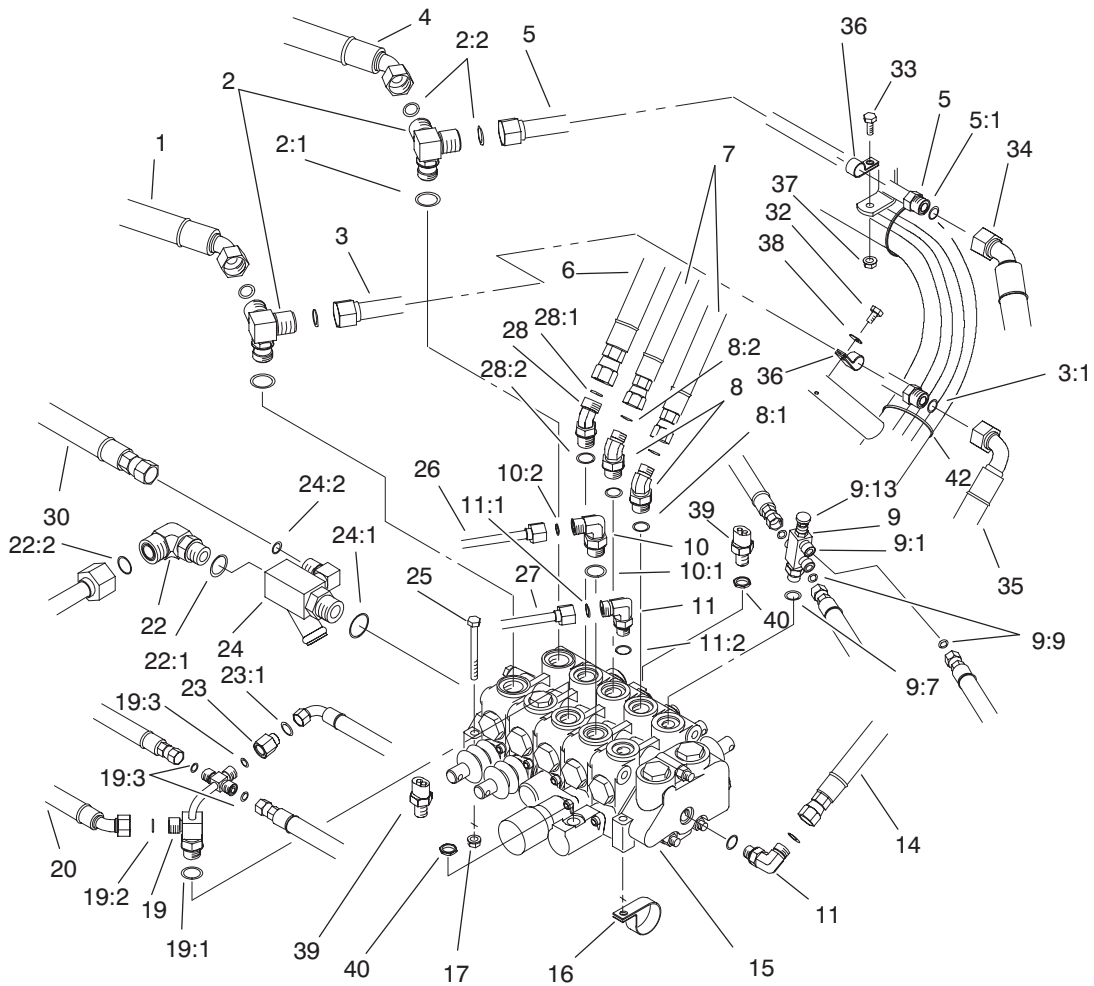


Sheet No.:9

Seat Assembly

Ref. No.	Part No.	Qty.	Description
1	322-2	2	Screw-HH
3	2412-133	2	R-Clamp
4	104-7050	1	Housing-Manual
5	104-7048	1	Cap-Housing
7	51-0790	1	Adjuster-Seat, LH
8	83-1270	1	Seat Support ASM
8:2	256-155	2	Bushing-Flange
9	3296-29	4	Nut-Lock, NI
10	3272-1 1	1	Pin-Cotter
11	68-5100	1	Rod-Seat, Prop
12	3296-16	1	Nut-Lock, NI
13	68-5310	1	Clip-Rod, Prop
14	321-3	1	Screw-HH
15	32121-45	1	Pin-Spring
16	3284-3	1	Pin-Groove
17	51-0350	1	Pin-Spring, Seat
18	3-6685	1	Spring
19	43-9071	1	Limit Switch ASM
19:1	43-8860	1	Plunger-Switch
19:2	43-8870	1	Boot-Switch
19:3	43-8620	1	Pin-Guide, Switch
19:4	43-8610	1	Guide
19:5	218-461	2	Nut-HH
19:7	237-7	1	O-Ring
19:8	43-8600	1	Spring-Compression
19:9	237-30	1	O-Ring

Ref. No.	Part No.	Qty.	Description
19:11	72-4320	1	Switch-Ball, N.o.
21	49-5880	1	Shaft-Support, Seat
22	83-1840-01	1	Cover-V alve, RH
23	3274-12	4	Screw-HSH
24	3256-23	6	Washer-Flat
25	51-0780	1	Slider-Seat
26	100-3187	1	Seat ASM
27	93-6686	1	Decal-Oil, HYD
28	106-9071	1	Decal-Service

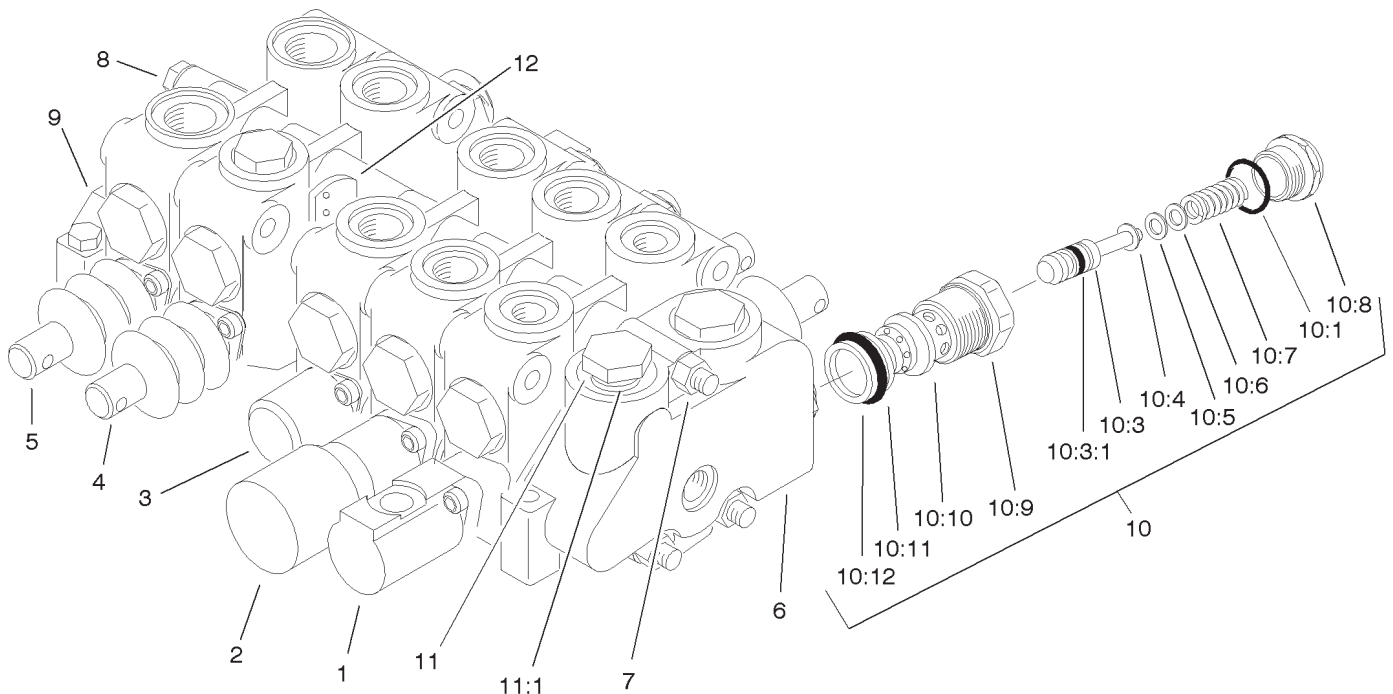


Sheet No.:10

Control Valve Installation Assembly

Ref. No.	Part No.	Qty.	Description
1	98-0647	1	Hose-HYD
2	63-4050	2	Fitting
2:1	237-80	1	O-Ring
2:2	237-65	2	O-Ring
3	70-7130	1	Line-Tube
3:1	237-65	2	O-Ring
4	98-0646	1	Hose-Hydraulic
5	83-1200	1	Tube-T raction, LH Lower
5:1	237-65	1	O-Ring
6	98-2151	1	Hose-HYD
7	98-0649	2	Hose-HYD
8	340-138	2	Fitting-HYD, 45°
8:1	237-79	1	O-Ring
8:2	237-22	1	O-Ring
9	93-2556	1	Needle Valve ASM
9:1	93-2555	1	Fitting-Body
9:7	237-42	1	O-Ring
9:9	237-21	3	O-Ring
9:13	93-2554	1	Needle ASM
10	340-18	1	Fitting-HYD, 90°
10:1	237-79	1	O-Ring
10:2	237-22	1	O-Ring
11	340-77	2	Fitting-HYD, 90°
11:1	237-22	1	O-Ring
11:2	237-42	1	O-Ring

Ref. No.	Part No.	Qty.	Description
14	98-2150	1	Hose-HYD
15	105-3800	1	Control Valve ASM
16	304-61	1	Clamp-Hose
17	32128-20	3	Nut-HF
19	83-1670	1	Fitting ASM
19:1	237-79	1	O-Ring
19:2	237-22	1	O-Ring
19:3	237-21	3	O-Ring
20	95-5986	1	Hose-HYD
22	340-16	1	Fitting-HYD, 90
22:1	237-80	1	O-Ring
22:2	237-58	1	O-Ring
23	71-0990	1	Orifice
23:1	237-21	1	O-Ring
24	63-4080	1	Manifold Fitting
24:1	237-81	1	O-Ring
24:2	237-30	1	O-Ring
25	322-14	3	Screw-HH
26	63-4030	1	Tube-HYD
27	63-4020	1	Tube-HYD
28	340-101	1	Fitting-HYD, 90°
28:1	237-30	1	O-Ring
28:2	237-79	1	O-Ring
30	95-5987	1	Hose-HYD
32	12-3270	1	Screw
33	3234-4	1	Screw-HHF



Note: 13 and 14 are used throughout the entire Control Valve ASM.

Sheet No.:A4

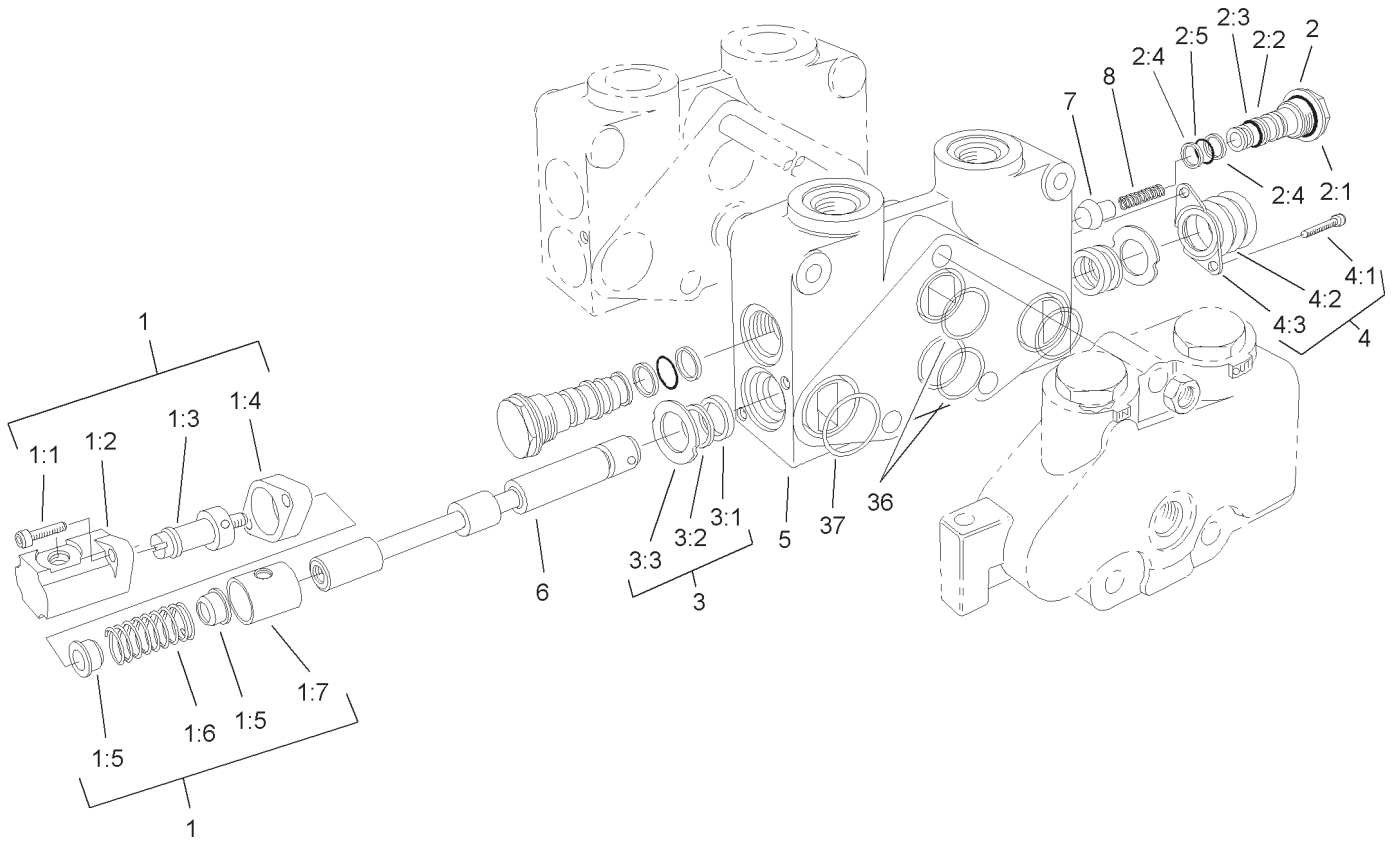
Control Valve Assembly No. 105-3800

Ref. No.	Part No.	Qty.	Description
1	105-3801	1	Section 1 ASM
2	105-3802	1	Section 2 ASM
3	105-3803	1	Section 3 ASM
4	105-3804	1	Section 4 ASM
5	93-1386	1	Section 5 ASM
6	353-772	1	Cover-Left
7	3217-7	3	Nut-Hex
8	353-853	3	Bolt
9	353-668	1	Plate-Cover
10	353-766	1	Cart-Relief
10:1	237-54	1	O-Ring
10:3	353-531	1	Poppet And Ring ASM
10:3:1	353-392	1	Ring-Piston
10:4	353-328	1	Shim (.040)
10:5	353-329	1	Shim (.020)
10:6	353-330	1	Shim (.010)
10:7	353-855	1	Spring
10:8	353-334	1	Cap-Relief
10:9	353-331	1	O-Ring
10:10	353-760	1	Relief-Body
10:11	353-758	1	O-Ring
10:12	353-952	1	Seal-Back-Up
11	353-721	2	Plug
11:1	237-54	1	O-Ring
12	354-122	1	Disc-Seal
*13	92-2545	1	Spool Set Kit

Ref. No.	Part No.	Qty.	Description
*14	84-2190	1	Section Seal Kit
☆14:1		12	O-Ring
☆14:2		12	O-Ring
☆14:3		16	O-Ring
☆14:4		8	O-Ring
☆14:5		1	Disc-Seal
☆14:6		1	Disc-Seal

* Not illustrated

☆ Not serviced separately



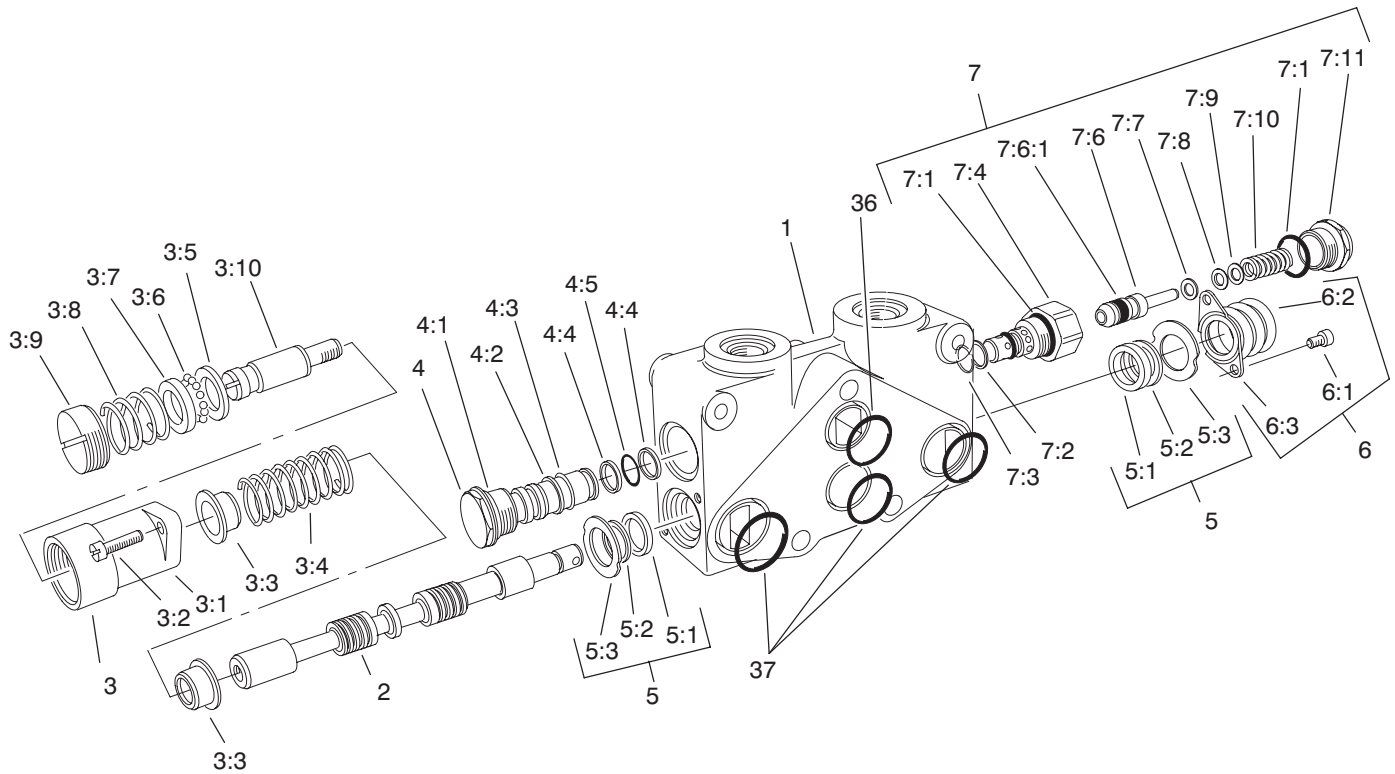
Sheet No.:A5

Control Valve Section 1 Assembly No. 105-3801

Ref. No.	Part No.	Qty.	Description
1	105-3807	1	Positioner-Interlock
1:1	3274-70	2	Screw-HSH
1:2	353-727	1	Bonnet-Special
1:3	104-7739	1	Spud-V20
1:4	353-733	1	Spacer-Bonnet
1:5	353-417	2	Collar-Stop
1:6	104-7741	1	Spring
1:7	353-728	1	Sleeve
2	353-481	2	Lift Check ASM
2:1	237-54	1	O-Ring
2:2	353-306	1	Washer-Backup
2:3	353-305	1	O-Ring
2:4	353-303	2	Washer-Backup
2:5	353-302	1	O-Ring
3	92-2548	2	Spool Set Kit
3:1	353-957	1	Cup-Seal
3:2	92-2546	1	Wiper-Seal
3:3	92-2547	1	Seal-Retainer
4	93-3652	1	Boot-Dust
4:1	3274-52	2	Screw-HSH
4:2	353-575	1	Boot
4:3	93-3651	1	Retainer-Boot
☆5		1	Housing-V20c
☆6		1	Spool-V20c
7	353-301	1	Check-Lift, Poppet
8	353-304	1	Spring-Check, Lift

Ref. No.	Part No.	Qty.	Description
☆36		2	O-Ring
☆37		2	O-Ring

☆ Not serviced separately



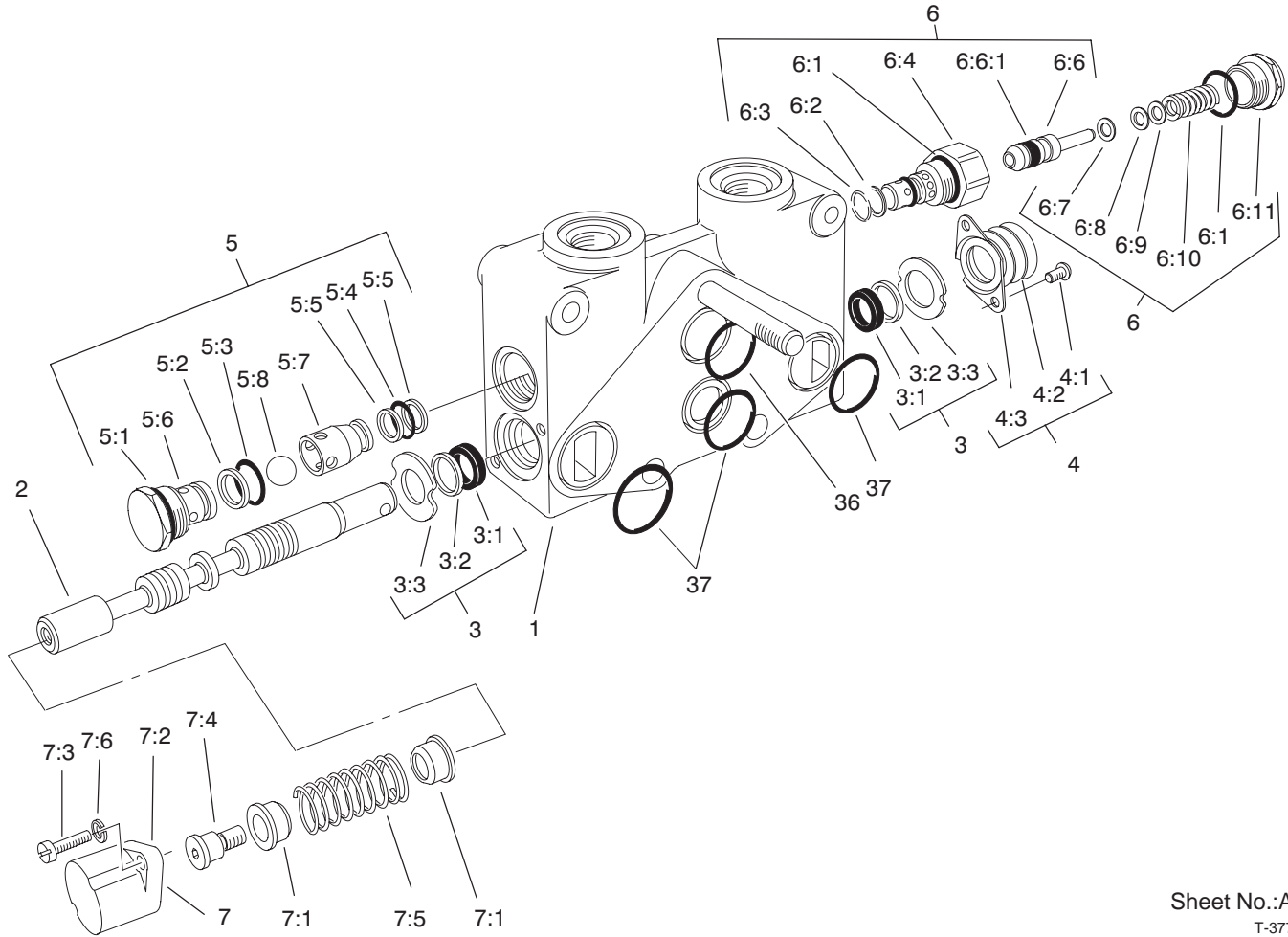
Sheet No.:A6
T-3778

Control Valve Section 2 Assembly No. 105-3802

Ref. No.	Part No.	Qty.	Description
☆1		1	Housing-V20t
☆2		1	Spool-V20
3	105-3806	1	Positioner
3:1	99-8181	1	Bonnet-R
3:2	3274-15	2	Screw-HSH
3:3	353-417	2	Collar-Stop
3:4	104-7741	1	Spring
3:5	354-29	1	Plate-Thrust
3:6	52-5880	12	Ball-Detent
3:7	42-2680	1	Race-Ball
3:8	104-7727	1	Spring-Detent
3:9	353-763	1	Cap-Adjustment
3:10	353-762	1	Spud-Out
4	353-481	1	Lift Check ASM
4:1	237-54	1	O-Ring
4:2	353-306	1	Washer-Backup
4:3	353-305	1	O-Ring
4:4	353-303	2	Washer-Backup
4:5	353-302	1	O-Ring
5	92-2548	2	Spool Set Kit
5:1	353-957	1	Cup-Seal
5:2	92-2546	1	Wiper-Seal
5:3	92-2547	1	Seal-Retainer
6	93-3652	1	Boot-Dust
6:1	3274-52	2	Screw-HSH
6:2	353-575	1	Boot

Ref. No.	Part No.	Qty.	Description
6:3	93-3651	1	Retainer-Boot
7	353-642	1	Cartridge-Relief
7:1	237-54	2	O-Ring
7:2	353-306	1	Washer-Backup
7:3	353-305	1	O-Ring
7:4	353-851	1	Body-Relief
7:6	353-531	1	Poppet And Ring ASM
7:6:1	353-392	1	Ring-Piston
7:7	353-328	1	Shim (.040)
7:8	353-329	1	Shim (.020)
7:9	353-330	1	Shim (.010)
7:10	353-398	1	Spring
7:11	353-334	1	Cap-Relief
☆36		1	O-Ring
☆37		3	O-Ring

☆ Not serviced separately



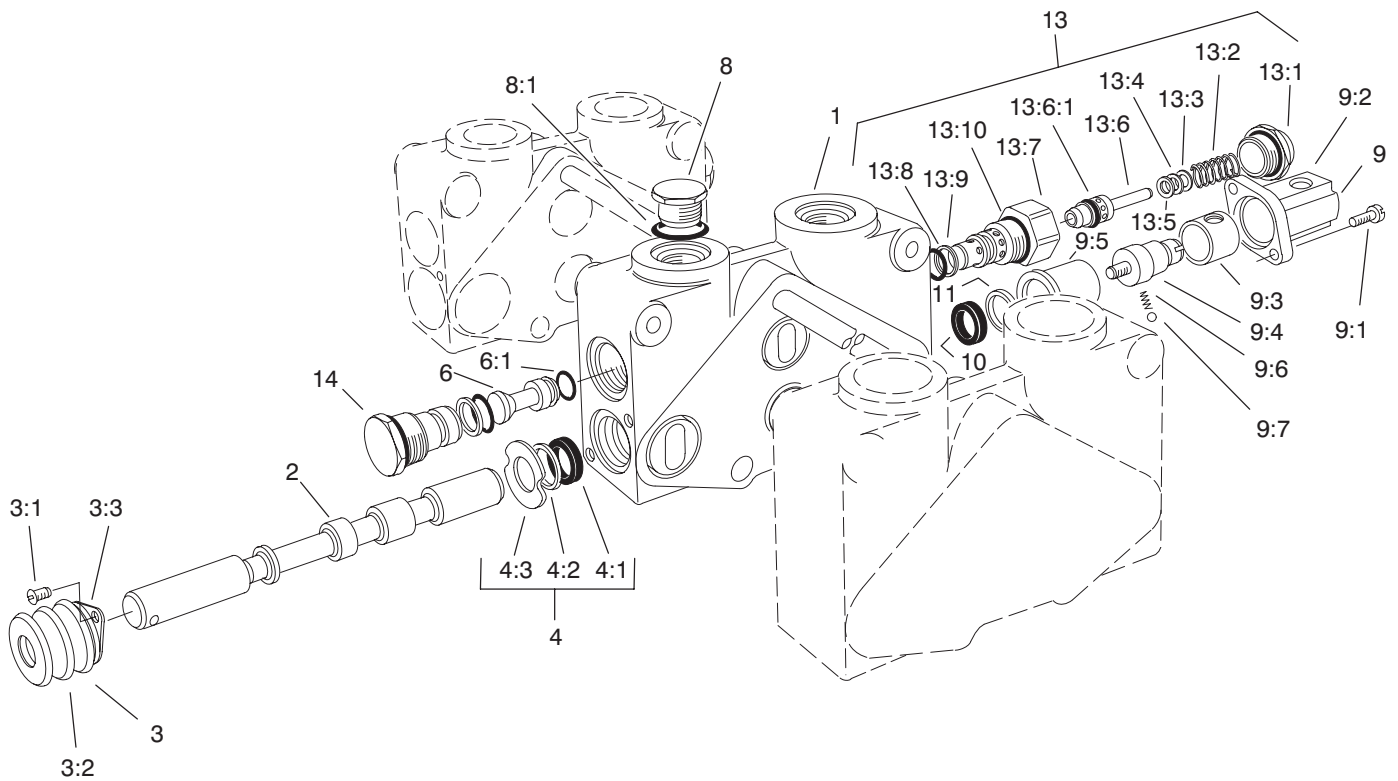
Sheet No.:A7
T-3775

Control Valve Section 3 Assembly No. 105-3803

Ref. No.	Part No.	Qty.	Description
☆1		1	Housing-V20t
☆2		1	Spool-V20
3	92-2548	2	Spool Set Kit
3:1	353-957	1	Cup-Seal
3:2	92-2546	1	Wiper-Seal
3:3	92-2547	1	Seal-Retainer
4	93-3652	1	Boot-Dust
4:1	3274-52	2	Screw-HSH
4:2	353-575	1	Boot
4:3	93-3651	1	Retainer-Boot
5	354-129	1	Anticavitation Check ASM
5:1	237-54	1	O-Ring
5:2	353-306	1	Washer-Backup
5:3	353-305	1	O-Ring
5:4	353-302	1	O-Ring
5:5	353-303	2	Washer-Backup
5:6	353-483	1	Body-Check
5:7	353-484	1	Return-Ball, Check
5:8	353-737	1	Ball-Check
6	353-642	1	Cartridge-Relief
6:1	237-54	2	O-Ring
6:2	353-306	1	Washer-Backup
6:3	353-305	1	O-Ring
6:4	353-851	1	Body-Relief
6:6	353-531	1	Poppet And Ring ASM

Ref. No.	Part No.	Qty.	Description
6:6:1	353-392	1	Ring-Piston
6:7	353-328	1	Shim (.040)
6:8	353-329	1	Shim (.020)
6:9	353-330	1	Shim (.010)
6:10	353-398	1	Spring
6:11	353-334	1	Cap-Relief
7	105-3808	1	Positioner-Spring Return
7:1	353-417	2	Collar-Stop
7:2	99-6895	1	Bonnet
7:3	52-5900	2	Screw
7:4	52-5860	1	Collar-Spool
7:5	104-7741	1	Spring
7:6	3253-3	2	Washer-Lock
☆36		1	O-Ring
☆37		3	O-Ring

☆ Not serviced separately



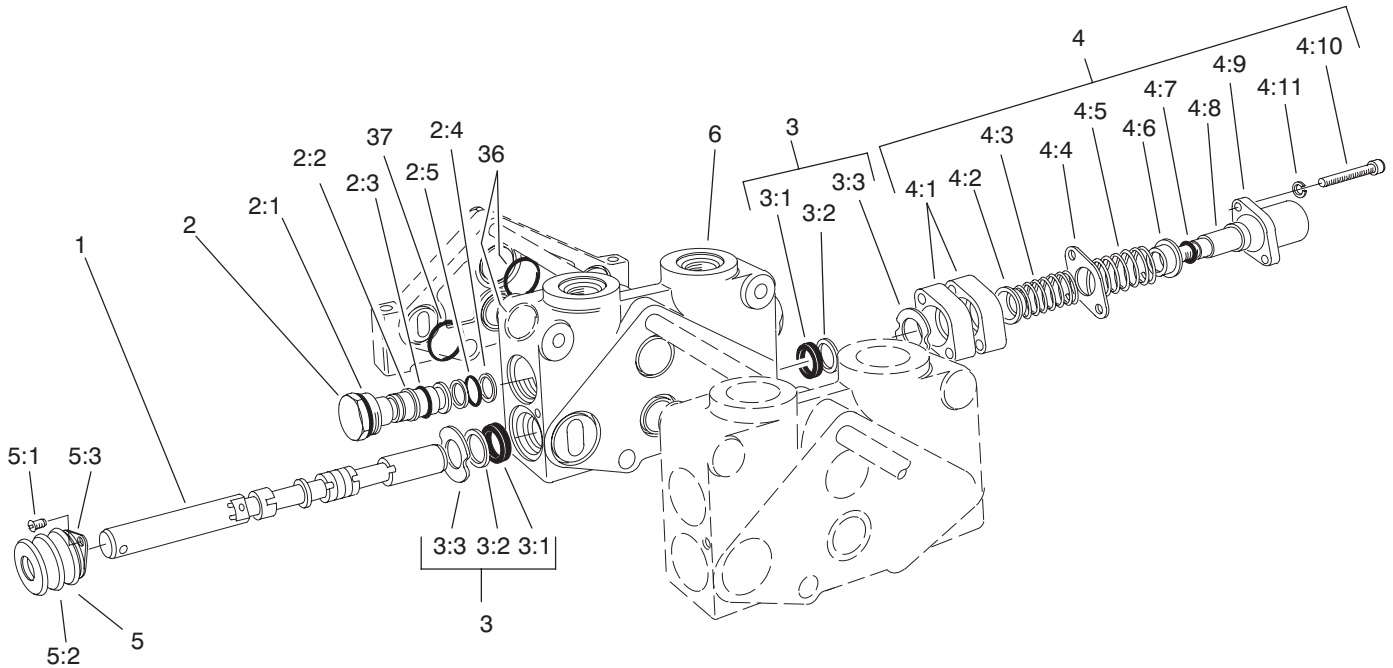
Sheet No.:A8
T-3776

Control Valve Section 4 Assembly No. 105-3804

Ref. No.	Part No.	Qty.	Description
☆1		1	Housing-V20p
☆2		1	Spool-V20
3	93-3652	1	Boot-Dust
3:1	3274-52	2	Screw-HSH
3:2	353-575	1	Boot
3:3	93-3651	1	Retainer-Boot
4	92-2548	1	Spool Set Kit
4:1	353-957	1	Cup-Seal
4:2	92-2546	1	Wiper-Seal
4:3	92-2547	1	Seal-Retainer
6	353-844	1	Plug
6:1	353-850	1	O-Ring
8	353-550	1	Plug-HYD
8:1	237-79	1	O-Ring
9	353-840	1	Bonnet ASM,Sp
9:1	52-5900	2	Screw
9:2	353-847	1	Bonnet
9:3	353-849	1	Sleeve
9:4	353-846	1	Spud
9:5	353-845	1	Sleeve-Detent
9:6	353-730	1	Spring
9:7	353-731	2	Ball
10	353-957	1	Cup-Seal
11	353-958	1	Washer
13	354-140	1	Relief-Rcm
13:1	353-334	1	Cap-Relief

Ref. No.	Part No.	Qty.	Description
13:2	353-398	1	Spring
13:3	353-330	1	Shim (.010)
13:4	353-329	1	Shim (.020)
13:5	353-328	1	Shim (.040)
13:6	353-531	1	Poppet And Ring ASM
13:6:1	353-392	1	Ring-Piston
13:7	353-851	1	Body-Relief
13:8	353-305	1	O-Ring
13:9	353-306	1	Washer-Backup
13:10	237-54	2	O-Ring
14	353-953	1	Plug ASM

☆ Not serviced separately



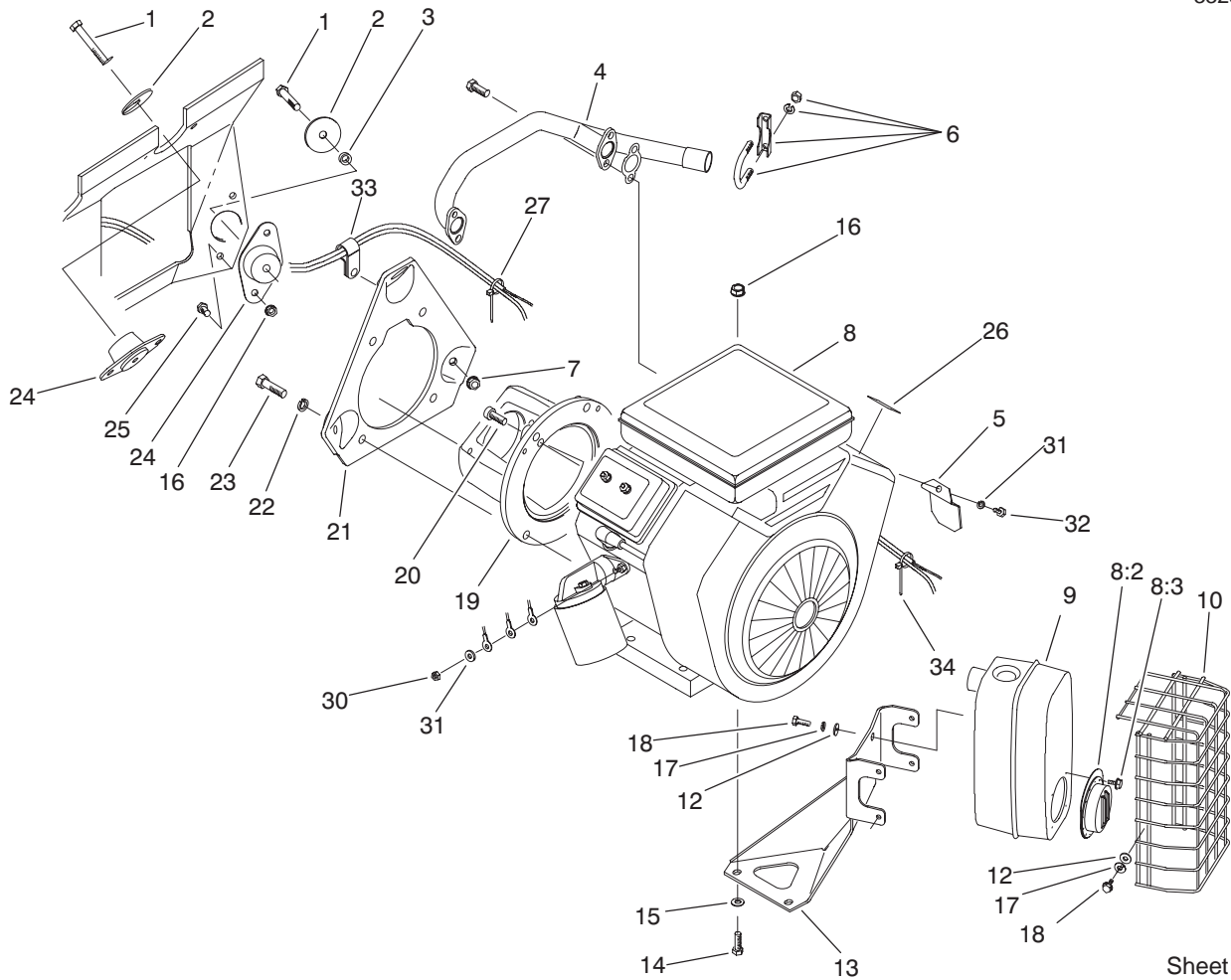
Sheet No.:A9
T-3779

Control Valve Section 5 Assembly No. 93-1386

Ref. No.	Part No.	Qty.	Description
1	94-5434	1	Spool
2	353-481	2	Lift Check ASM
2:1	237-54	1	O-Ring
2:2	353-306	1	Washer-Backup
2:3	353-305	1	O-Ring
2:4	353-303	2	Washer-Backup
2:5	353-302	1	O-Ring
3	92-2548	2	Spool Set Kit
3:1	353-957	1	Cup-Seal
3:2	92-2546	1	Wiper-Seal
3:3	92-2547	1	Seal-Retainer
4	353-833	1	Positioner ASM
4:1	353-733	2	Spacer-Bonnet
4:2	353-417	1	Collar-Stop
4:3	353-831	1	Spring
4:4	353-529	1	Plate-Retainer , Seal
4:5	92-3148	1	Spring-T raction
4:6	353-808	1	Collar-Spring
4:7	353-830	1	O-Ring
4:8	94-4248	1	Collar-Spool
4:9	99-6895	1	Bonnet
4:10	354-28	2	Screw-HS
4:11	3253-4	2	Washer-Lock
5	93-3652	1	Boot-Dust
5:1	3274-52	2	Screw-HSH
5:2	353-575	1	Boot

Ref. No.	Part No.	Qty.	Description
5:3	93-3651	1	Retainer-Boot
☆6		1	Housing-V20p
☆36		1	O-Ring
☆37		3	O-Ring

☆ Not serviced separately

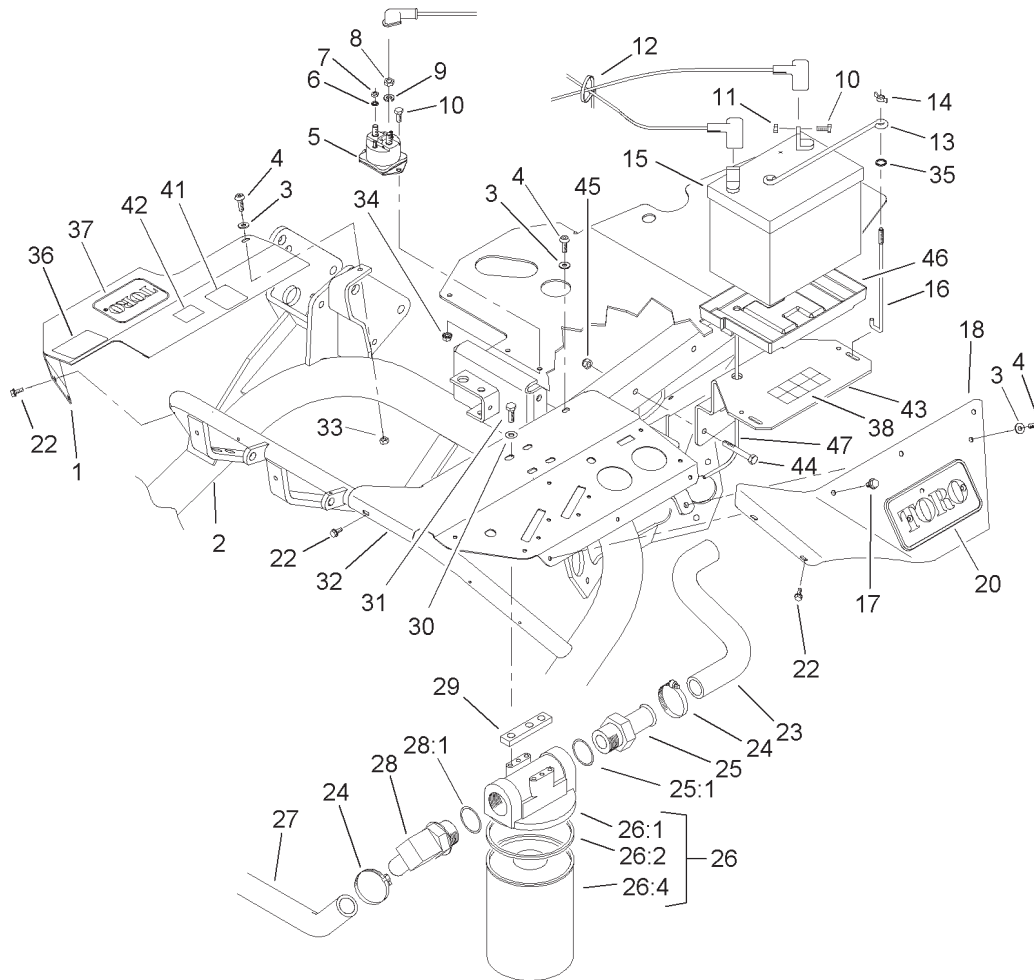


Sheet No.:11

Engine Installation Assembly

Ref. No.	Part No.	Qty.	Description
1	323-12	3	Screw-HH
2	83-1040	3	Washer-Flat
3	83-1050	2	Spacer
4	83-1080	1	Exhaust Manifold ASM
5	83-2310	1	Shield-Regulator
6	2112-11	1	Clamp-Muf fler
7	3290-357	3	Nut-HHF
8	100-6424	1	Engine-B And S
8:2	83-2220	1	Deflector-Exhaust
8:3	83-2230	4	Screw-HH
9	98-0616	1	Muffler ASM
10	83-1400-03	1	Shield-Muf fler
12	3256-1	8	Washer-Flat
13	83-1630-03	1	Bracket-Support, Muffler
14	322-8	2	Screw-HH
15	3256-23	2	Washer-Flat
16	32128-20	8	Nut-HF
17	3253-3	8	Washer-Lock
18	49-2040	8	Screw-Tapping
19	83-1060-03	1	Adapter-Pump
20	3274-7	2	Screw-HSH
21	85-8120-03	1	Plate-Mount, Engine
22	3253-6	4	Washer-Lock
23	324-7	4	Screw-HH
24	83-1030	3	Mount-Engine

Ref. No.	Part No.	Qty.	Description
25	322-3	6	Screw-HH
26	93-8069	1	Decal-Surface, Hot
27	3290-379	1	Tie-Cable
30	43-2830	1	Nut-Hex
31	43-5930	2	Washer-Spring
32	33113-016	1	Screw-HH
33	2412-81	1	Clamp-R
34	3290-378	2	Tie-Cable

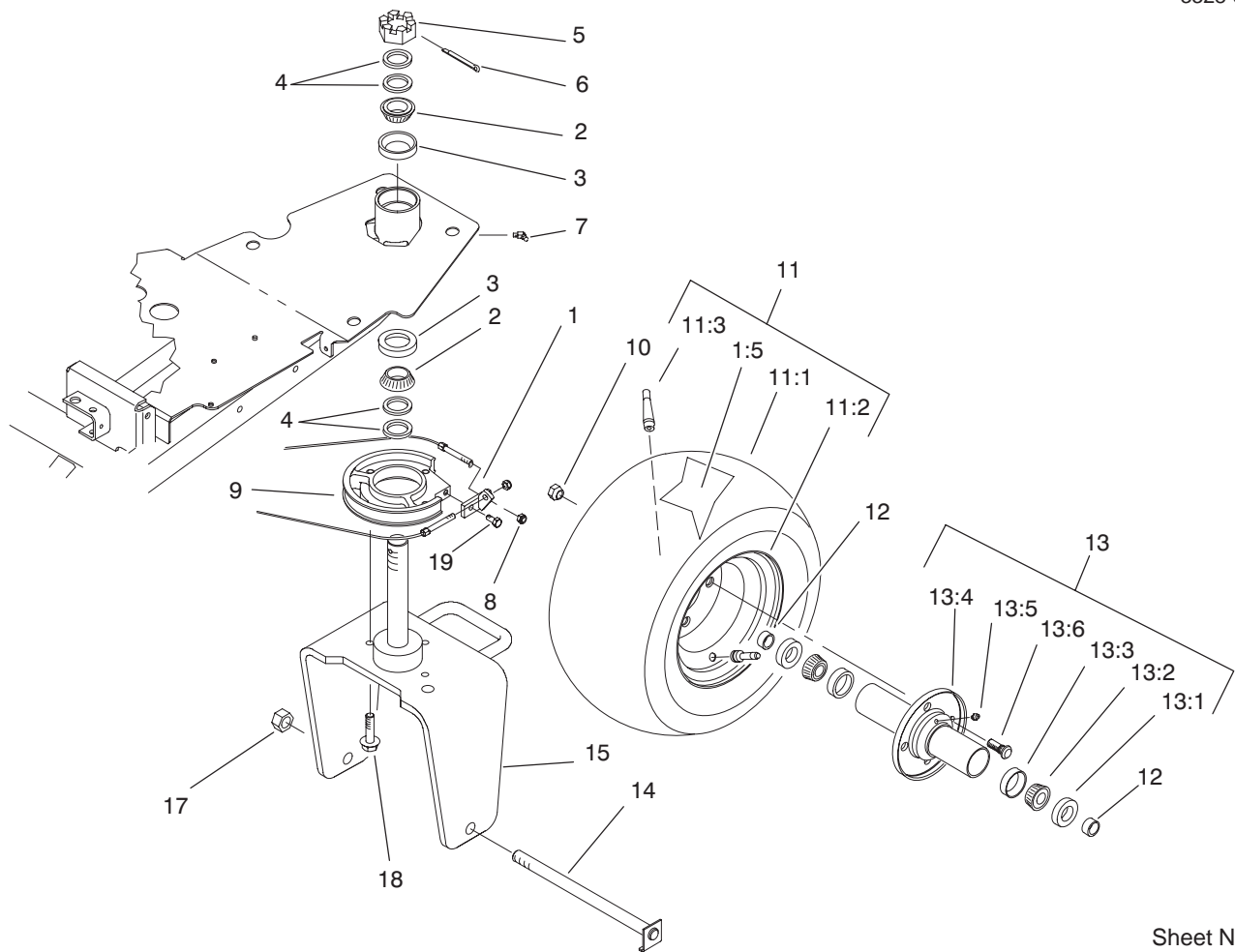


Sheet No.:13

Frame Assembly

Ref. No.	Part No.	Qty.	Description
1	94-2694-01	1	Cover-RH
2	95-5981-01	1	Frame ASM
3	3256-22	3	Washer-Flat
4	3274-69	3	Screw-HSBH
5	28-4210	1	Solenoid
6	3254-1	2	Washer-Lock, Int
7	3219-14	2	Nut-Hex
8	3218-13	2	Nut-Jam
9	3253-4	2	Washer-Lock
10	321-3	4	Screw-HH
11	3217-5	2	Nut-Hex
12	3290-378	1	Tie-Cable
13	100-6434	1	Rod-Battery, Hold Down
14	32103-22	2	Nut-Wing
15	104-8162	1	Battery (Dry)
16	100-6435	2	Post-Battery
17	46-8560	3	Screw-Hhftf
18	83-0840-01	1	Shield-Cover, Valve
20	105-9751	1	Decal
22	32104-1 16	5	Screw
23	95-71 19	1	Hose-Line, Return
24	2412-34	3	Clamp-Hose
25	353-563	1	Fitting-HYD, Straight
25:1	237-101	1	O-Ring
26	74-3600	1	Filter And Head ASM

Ref. No.	Part No.	Qty.	Description
26:1	44-5560	1	Head-Filter, Oil
26:2	72-3850	1	Seal-Filter, Oil
26:4	74-3570	1	Filter
27	68-5880	1	Hose-HYD
28	353-564	1	Fitting-90 °
28:1	237-101	1	O-Ring
29	27-2380	2	Spacer
30	3256-23	4	Washer-Flat
31	322-4	4	Screw-HH
32	83-0830-01	1	Panel-Control, Upper
33	3296-16	1	Nut-Lock, NI
34	32149-2	2	Nut
35	237-143	2	O-Ring
36	93-8065	1	Decal-T raction
37	67-1300	1	Decal
38	93-7276	1	Decal-Danger
41	105-4674	1	Decal-Noise, Ce
42	93-7252	1	Decal
43	104-2064-03	1	Battery Base ASM
44	322-1 1	2	Screw-HH
45	3296-29	2	Nut-Lock, NI
46	106948	1	Tray-Battery
47	98-0601	1	Tube-Drain, Battery



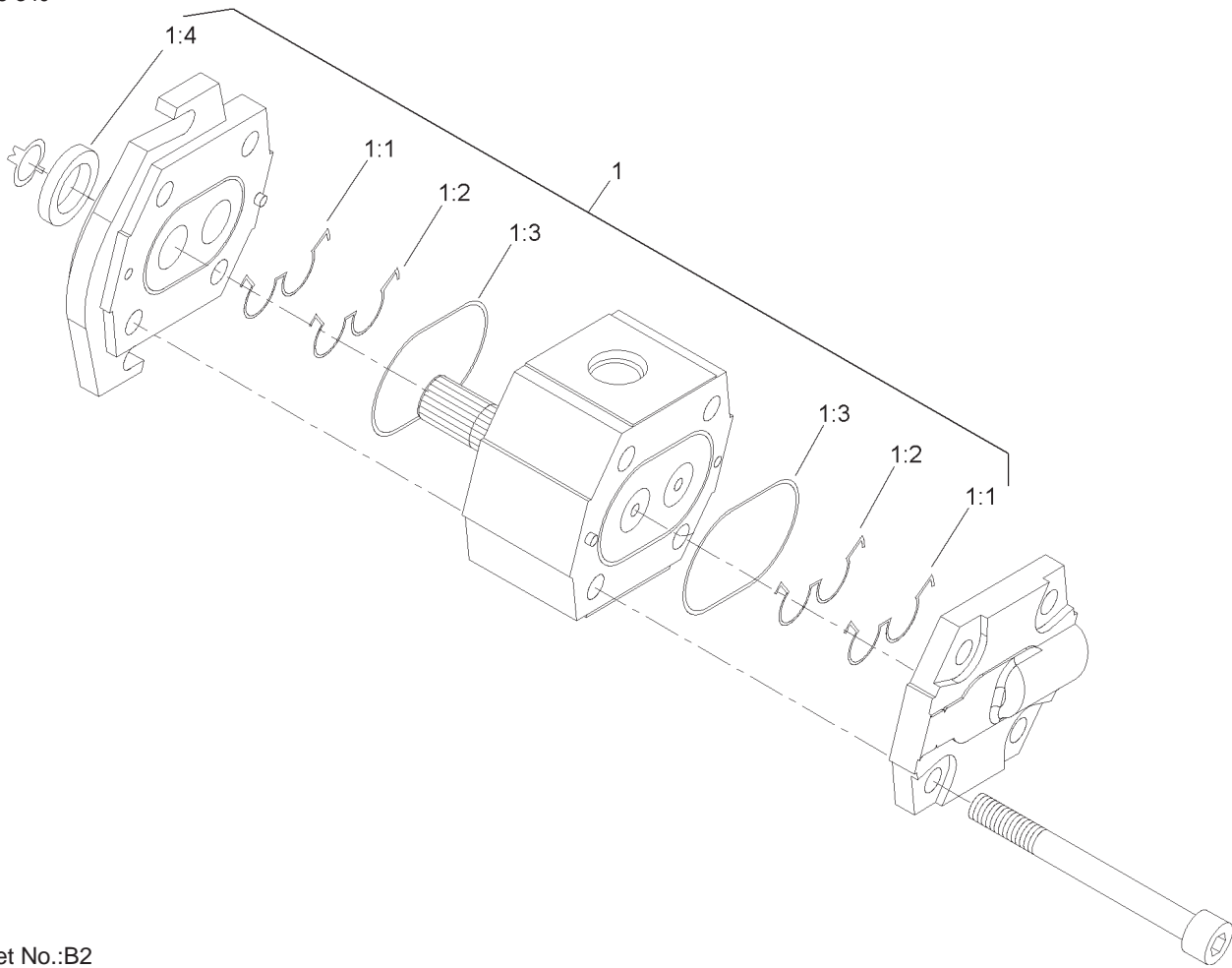
Sheet No.:14

Rear Wheel Assembly

Ref. No.	Part No.	Qty.	Description
1	95-5956	1	Cable Anchor ASM
2	254-70	2	Bearing-Cone
3	254-61	2	Bearing-Cup
4	18-6320	4	Washer-Steering
5	32136-9	1	Nut-SHH
6	3272-37	1	Pin-Cotter
7	302-11	1	Fitting-Lube, 45°
8	3296-4	2	Nut-Lock, NI
9	95-5955-01	1	Drum-Steering
10	242-50	4	Nut-Lug
☆11		1	Wheel And Tire ASM
11:1	28-3680	1	Tire
11:2	217-60	1	Rim
11:3	232-27	1	Stem-V valve
11:5	232-37	1	Tube
12	74-3730	2	Spacer-Spindle, Rear
13	72-9710	1	Hub-Tire, Sulky
13:1	253-111	2	Seal-Oil
13:2	254-78	2	Bearing-Cone
13:3	254-79	2	Bearing-Roller, Cup
13:4	75-9440	1	Hub ASM
13:5	302-55	1	Fitting-Grease
13:6	10-6830	4	Stud-Type, Drive
14	5-3934	1	Bolt-Caster
15	95-5952-01	1	Fork-Caster
17	3296-67	1	Nut-Lock NI

Ref. No.	Part No.	Qty.	Description
18	3234-24	3	Screw-HHF
19	322-3	1	Screw-HH

☆ Not serviced separately



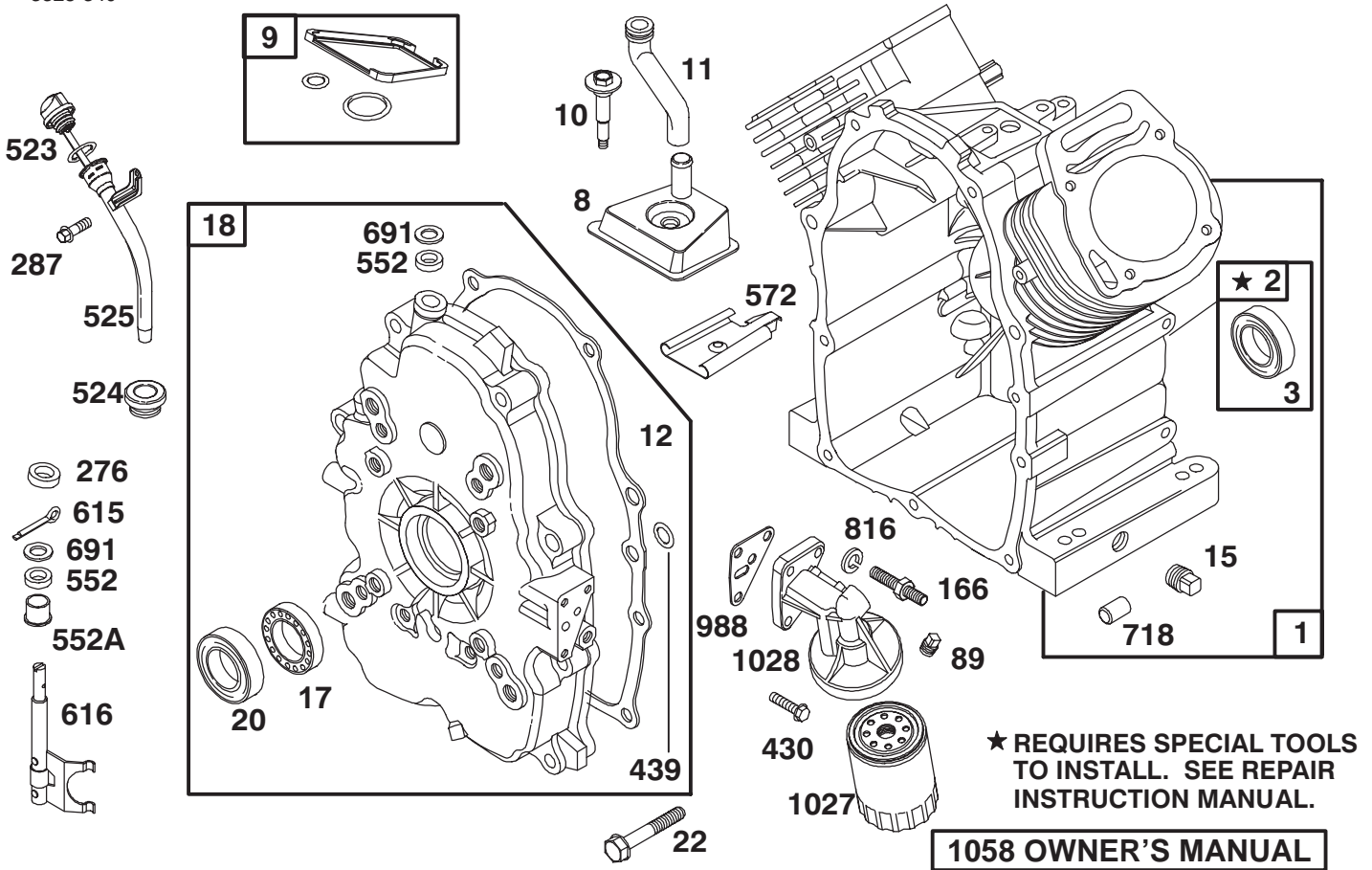
Sheet No.:B2

Reel Motor Assembly No. 105-9770

Ref. No.	Part No.	Qty.	Description
1	106-6362	1	Kit-Seal
☆1:1		2	Seal-Extrusion, Anti
☆1:2		2	Seal-Pressure
			Loading
☆1:3		2	O-Ring
☆1:4		1	Seal-Shaft

Ref. No.	Part No.	Qty.	Description

☆ Not serviced separately



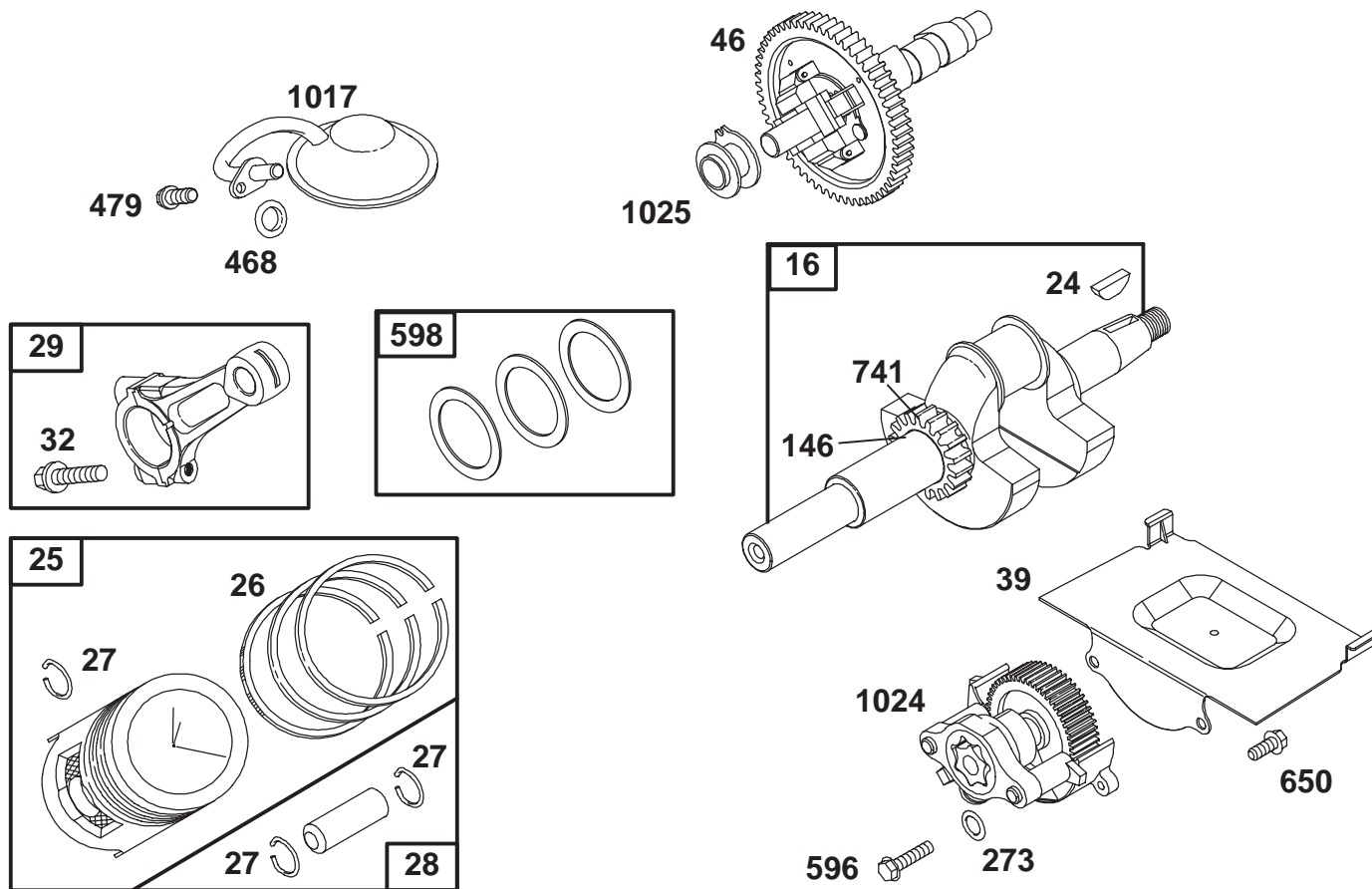
Assemblies include all parts shown in frames.

Cylinder Assembly Briggs and Stratton Model 303447-1408-E1

Ref. No.	Part No.	Qty.	Description
1	692178	1	Cylinder Assembly
2	808534	1	Cylinder Bearing
*3	805101	1	Oil Seal (Magneto Side)
8	807795	1	Breather Assembly
*9	807688	1	Breather Gasket
10	805751	1	Screw
11	806083	1	Breather Tube
12	806100	1	Crankcase Cover Gasket
15	94239	1	Oil Drain Plug
17	805754	1	Ball Bearing
18	808847	1	Crankcase Cover
*20	805049	1	Oil Seal (PTO Side)
22	692540	1	Screw (Crankcase Cover)
89	690283	1	Pipe Plug
166	805073	1	Oil Filter Adapter Stud
276	690704	1	Governor Shaft Washer
287	805247	1	Screw (Dipstick Tube)
430	690679	1	Screw (Oil Filter Adapter)

Ref. No.	Part No.	Qty.	Description
439	692154	1	O-Ring (Crankcase Cover)
523	693175	1	Dipstick
*524	693172	1	Dipstick Tube Seal
525	693174	1	Dipstick Tube
552	690701	1	Governor Shaft Bushing
552A	805413	1	Governor Shaft Bushing
572	690686	1	Breather Baffle
615	691550	1	Cotter Pin
616	806685	1	Governor Fork
*691	690680	1	Governor Shaft Seal
718	690684	1	Crankcase Dowel
816	690706	1	Washer
*988	805250	1	Oil Filter Adapter Gasket
1027	492932	1	Oil Filter
1028	808325	1	Oil Filter Adapter
1058	273685	1	Owner's Manual

* Included in Gasket Set - Part No. 808390.



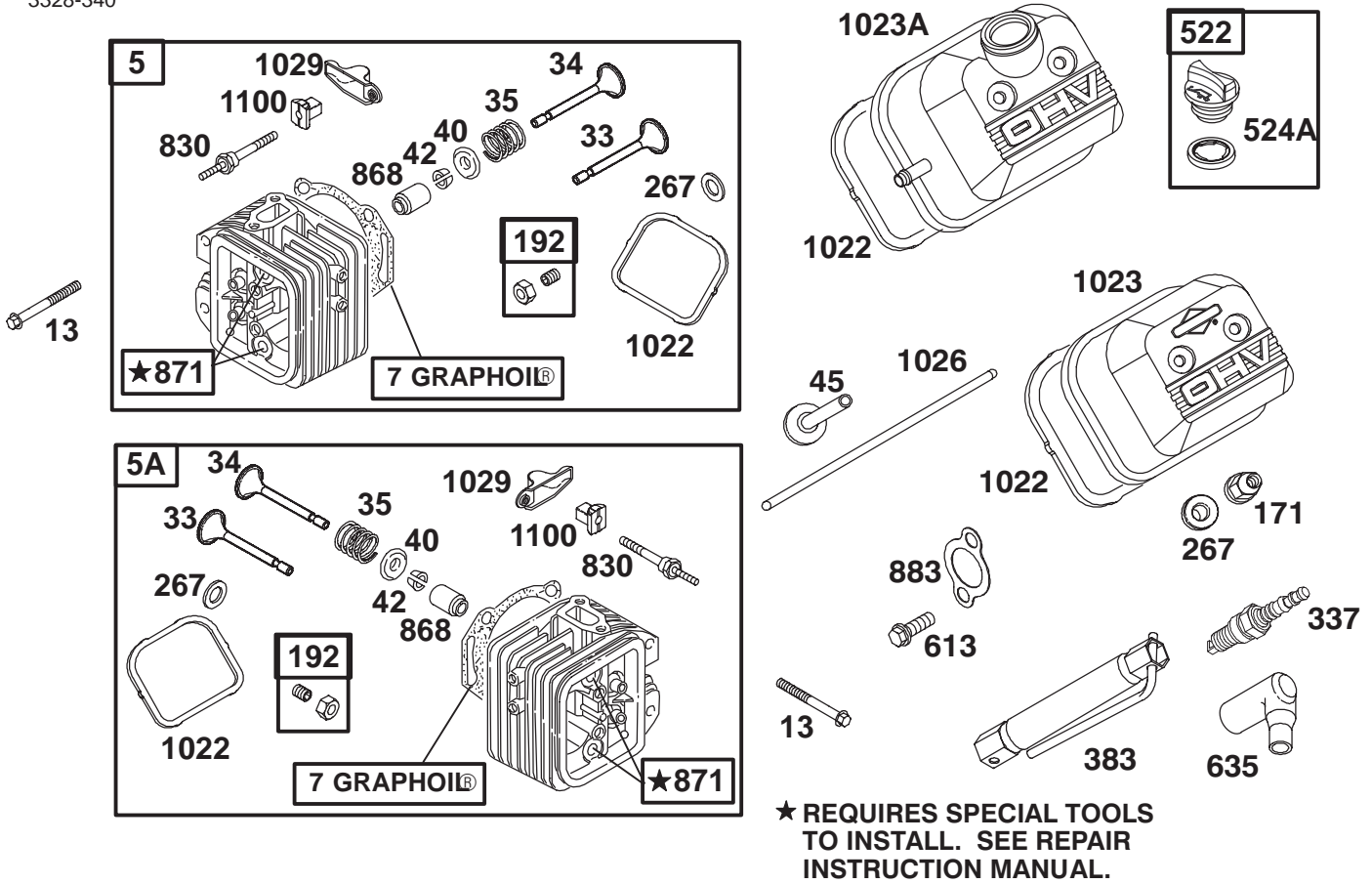
Assemblies include all parts shown in frames.

Crankshaft Assembly Briggs and Stratton Model 303447-1408-E1

Ref. No.	Part No.	Qty.	Description
16	692161	1	Crankshaft
24	806066	1	Flywheel Key
25	807619	1	Piston Assembly (Standard)
	807807	1	Piston Assembly (.010 O.S.)
	807809	1	Piston Assembly (.020 O.S.)
	807811	1	Piston Assembly (.030 O.S.)
26	807620	1	Piston Ring Set (Standard)
	807808	1	Piston Ring Set (.010 O.S.)
	807810	1	Piston Ring Set (.020 O.S.)
	807812	1	Piston Ring Set (.030 O.S.)
27	690683	1	Piston Pin Lock
28	807621	1	Piston Pin Assembly
29	807900	1	Connecting Rod (Standard)
	807809	1	Connecting Rod (.020 U.S.)

Ref. No.	Part No.	Qty.	Description
32	690698	1	Screw (Connecting Rod)
39	690745	1	Oil Deflector
46	691557	1	Camshaft
146	94196	1	Timing Key
*273	690681	1	O-Ring Seal (Oil Pump)
*468	690690	1	O-Ring Seal (Oil Pump Screen)
479	692537	1	Screw
596	691492	1	Screw
598	807625	1	End Play Shim
650	692539	1	Screw
741	805984	1	Timing Gear
1017	690900	1	Oil Pump Screen
1024	693185	1	Oil Pump
1025	690689	1	Governor Slider

* Included in Gasket Set - Part No. 808390.



Assemblies include all parts shown in frames.

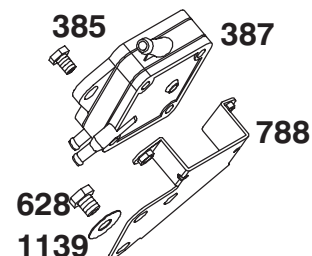
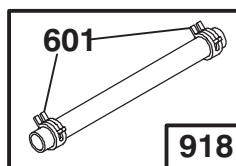
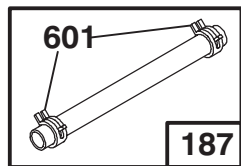
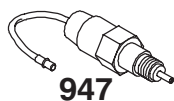
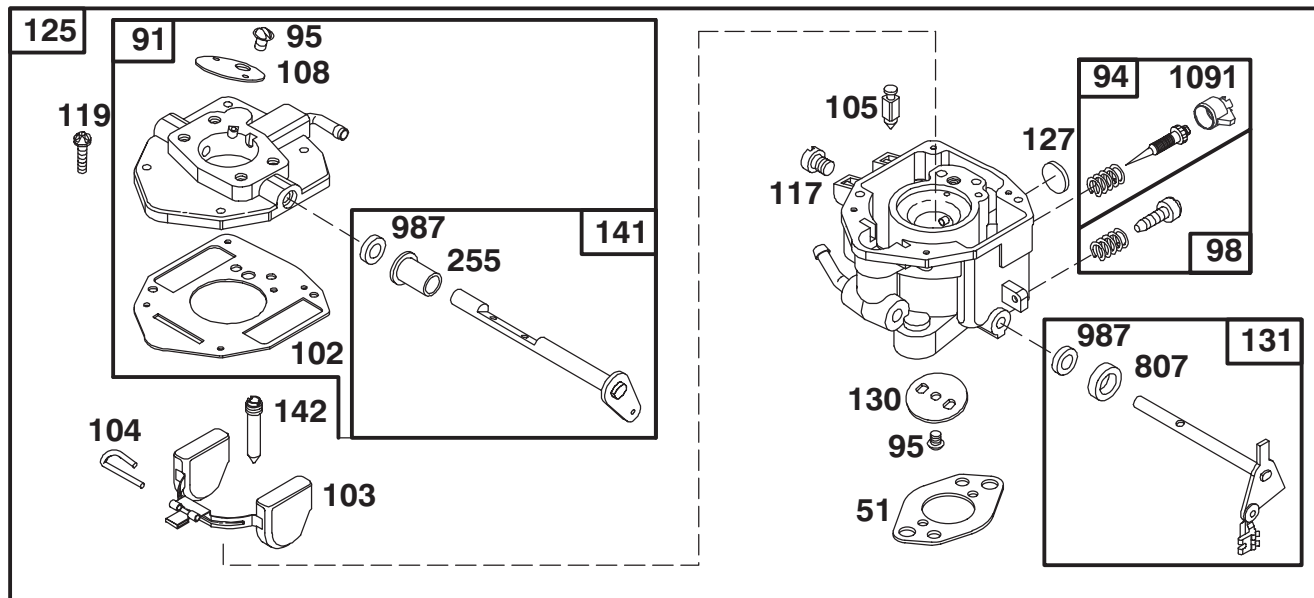
Cylinder Head Assembly Briggs and Stratton Model 303447-1408-E1

Ref. No.	Part No.	Qty.	Description
5	808381	1	Cylinder (Cyl. #1) Head
5A	808382	1	Cylinder (Cyl. #2) Head
*‡7	806085	1	Cylinder Head Gasket
13	805097	1	Cylinder Head Screw
33	807681	1	Exhaust Valve
34	807680	1	Intake Valve
35	805937	1	Valve Spring
40	805092	1	Valve Spring Retainer
42	807683	1	Valve Retainer
45	262679	1	Valve Tappet
‡171	805019	1	Nut (Air Cleaner)
192	807623	1	Screw
*‡276	805420	1	Sealing Washer
337	491055	1	Spark Plug
*‡338	691312	1	Dipstick Gasket
383	19374	1	Spark Plug Wrench
522	491832	1	Dipstick/Fill Plug
613	805158	1	Screw
635	805529	1	Spark Plug Elbow
830	691544	1	Rocker Arm Stud
868	805094	1	Valve Guide Seal
871	805084	1	Valve Guide
*‡883	805024	1	Exhaust Gasket
*‡1022	806039	1	Rocker Cover Gasket

Ref. No.	Part No.	Qty.	Description
1023	691494	1	Valve Cover
1023A	690910	1	Valve Cover
1026	805352	1	Push Rod (Intake Valve) Note: 805617 Push Rod (Exhaust Valve)
1029	691543	1	Rocker Arm
1100	690973	1	Rocker Arm Pivot

* Included in Gasket Set - Part No. 808390.

‡ Included in Valve Overhaul Kit - Part No. 808392



Assemblies include all parts shown in frames.

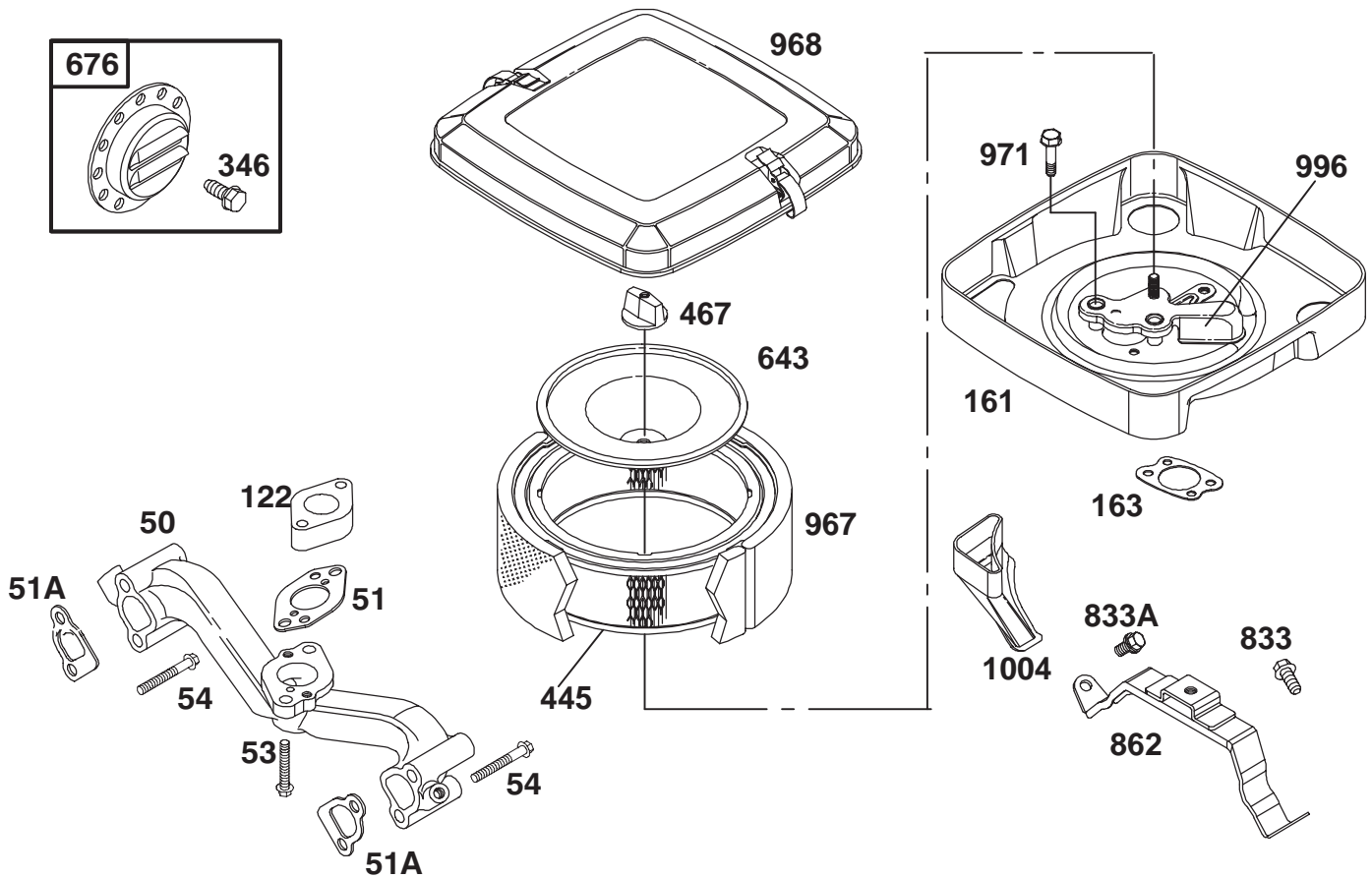
Carburetor Assembly Briggs and Stratton Model 303447-1408-E1

Ref. No.	Part No.	Qty.	Description
*51	805700	1	Carburetor Mtg. Gasket
91	807919	1	Upper Carburetor Body
‡94	808257	1	Idle Mixture Kit
95	805538	1	Screw
98	808177	1	Screw
‡102	805541	1	Carburetor Body Gasket
103	805546	1	Float Assembly
‡104	805545	1	Float Hinge Pin
‡105	805547	1	Float Needle Valve
108	805539	1	Choke Valve
117	805852	1	Main Jet
	805537	1	Main Jet (High Altitude)
119	805540	1	Screw
125	808251	1	Carburetor Assembly
‡127	690727	1	Welch Plug
130	805554	1	Throttle Valve
131	807720	1	Throttle Shaft
141	807722	1	Choke Shaft
‡142	690725	1	Carburetor Nozzle
187	691049	1	Fuel Line (Cut to Required Length)

Ref. No.	Part No.	Qty.	Description
‡255	690721	1	Choke Shaft Bushing
385	806361	1	Screw
387	808969	1	Fuel Pump
601	93807	1	Hose Clamp
628	805247	1	Screw
‡633	690722	1	Choke Shaft Seal
788	691559	1	Fuel Pump Bracket
‡807	805557	1	Throttle Spacer
918	296004	1	Vacuum Line (Cut to Required Length)
947	807664	1	Solenoid
‡1091	691516	1	Limiter Cap
1139	806479	1	Screw

* Included in Gasket Set - Part No. 808390.

‡ Included in Valve Overhaul Kit - Part No. 808392



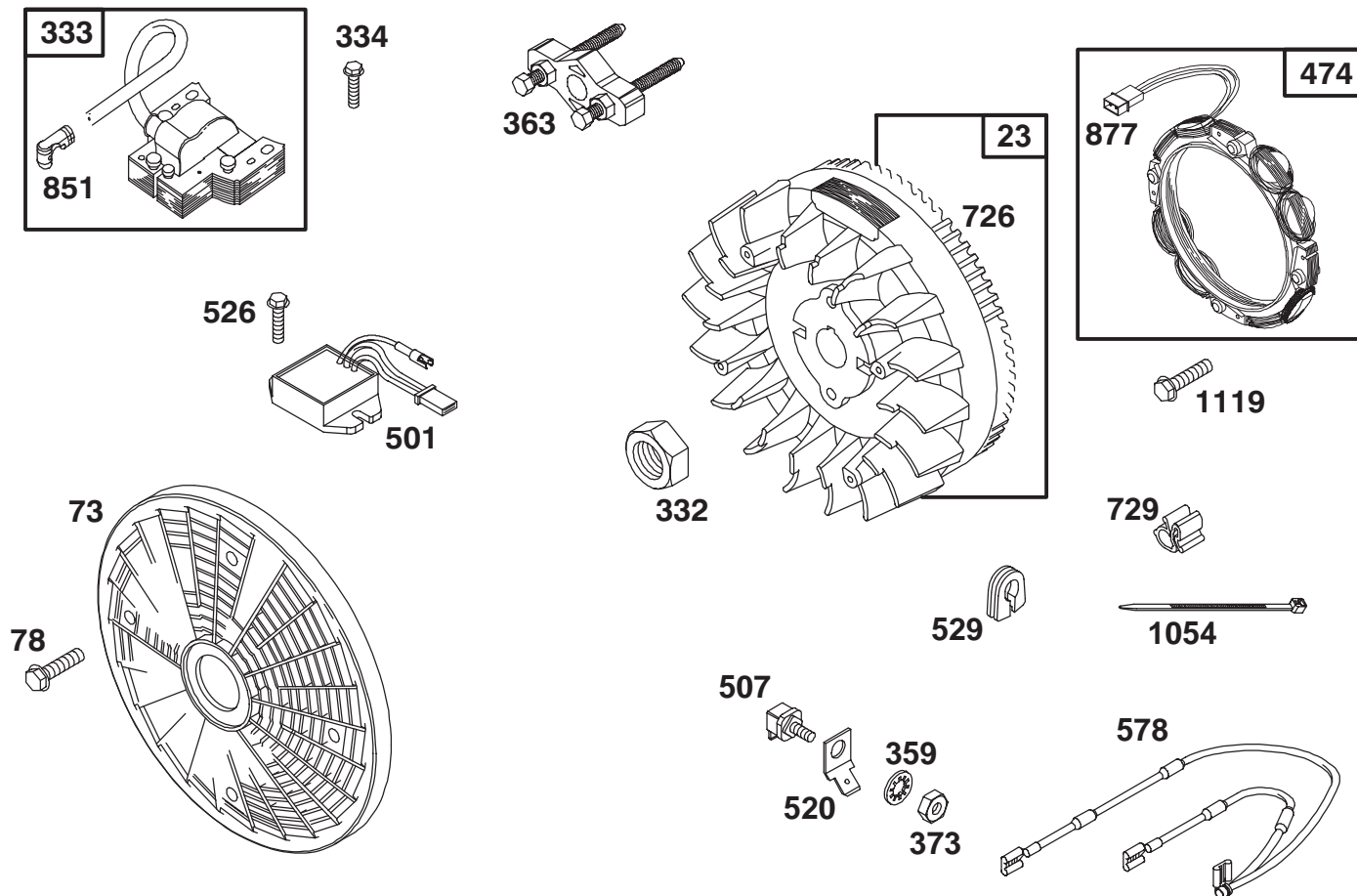
Air Cleaner Assembly Briggs and Stratton Model 303447-1408-E1

Ref. No.	Part No.	Qty.	Description
50	690754	1	Intake Manifold
*51	805700	1	Intake Gasket
51A	805023	1	Intake Gasket
*‡52	805023	1	Intake Manifold Gasket
53	805466	1	Screw
54	690676	1	Screw
122	690691	1	Carburetor Spacer
161	691561	1	Air Cleaner Base
*163	805655	1	Air Cleaner Gasket
305	805406	1	Screw (M6 x 12 mm)
346	94896	1	Screw
445	394018	1	Air Filter
467	491875	1	Air Cleaner Knob
643	805631	1	Air Cleaner Plate
676	397630	1	Muffler Deflector
833	690872	1	Screw (M6 x 16 mm)
833A	690872	1	Screw (Air Cleaner Mounting Strap)
862	692153	1	Air Cleaner Bracket
967	272490	1	Air Filter
968	807862	1	Air Cleaner Cover

Ref. No.	Part No.	Qty.	Description
971	692537	1	Screw
996	691577	1	Carburetor Shield
1004	690743	1	Cleaner Mounting Strap

* Included in Gasket Set - Part No. 808390.

‡ Included in Valve Overhaul Kit - Part No. 808392.

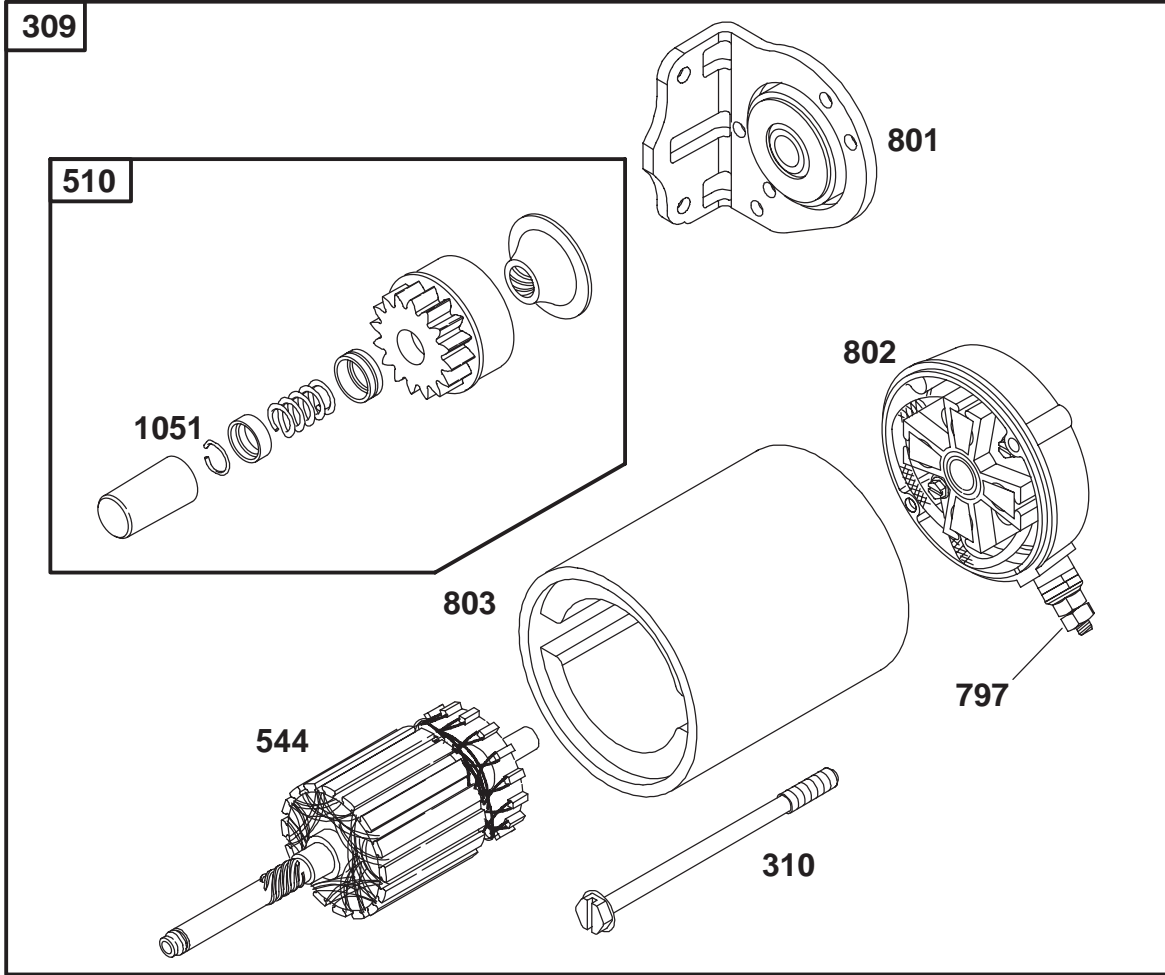


Assemblies include all parts shown in frames.

Flywheel Assembly Briggs and Stratton Model 303447-1408-E1

Ref. No.	Part No.	Qty.	Description
23	808766	1	Magneto Flywheel
73	494439	1	Rotating Screen
78	805447	1	Screw
332	690887	1	Nut
333	492341	1	Magneto Armature
359	691077	1	Washer (Internal Tooth)
363	19203	1	Flywheel Puller
373	90576	1	Nut
474	393295	1	Alternator Stator
501	394890	1	Alternator Regulator
507	398525	1	Insulator
520	691084	1	Spade Terminal
526	805448	1	Screw
529	690744	1	Grommet
578	493792	1	Stop Wire
726	808162	1	Flywheel Ring Gear (Includes Mounting Hardware)
729	690586	1	Wire Clip
851	493880	1	Ignition Cable Terminal
877	393537	1	Alternator Wire
1054	280275	1	Cable Tie
1119	691552	1	Screw

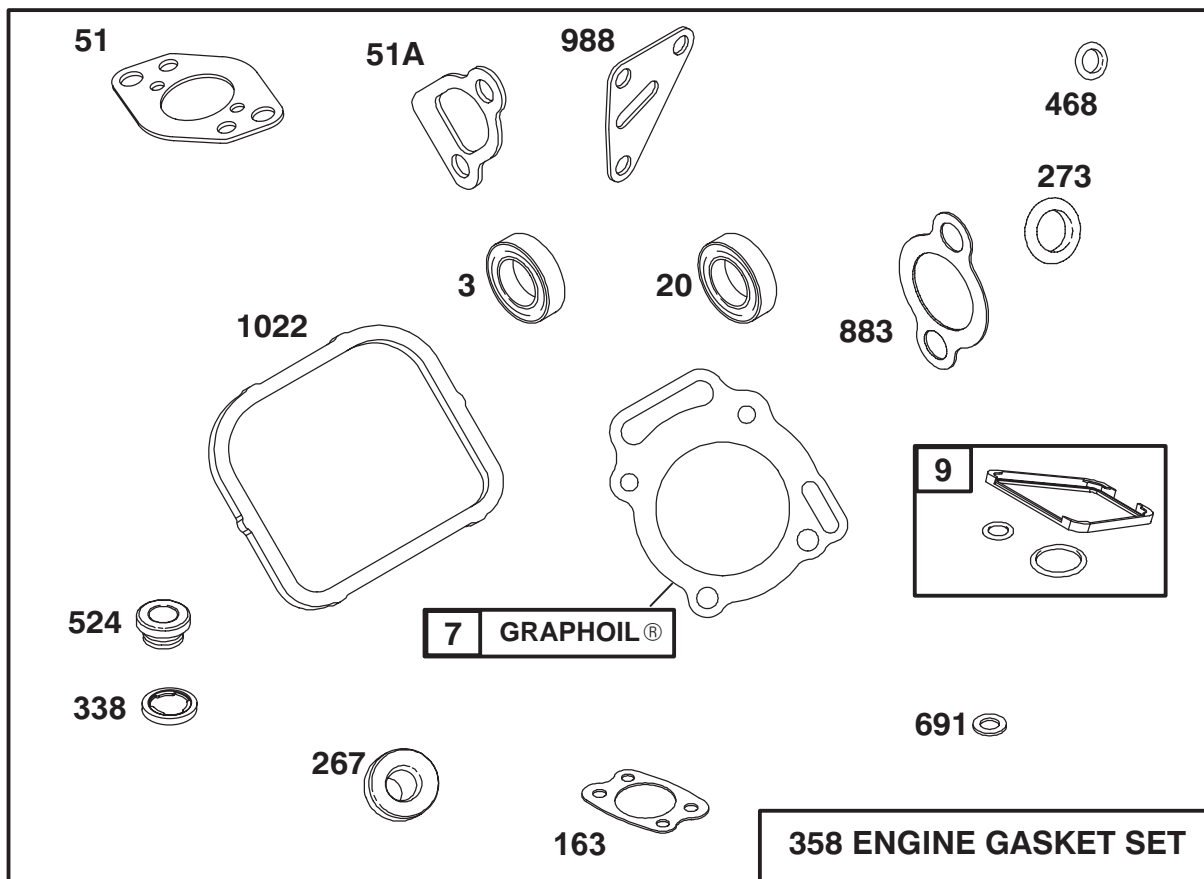
Ref. No.	Part No.	Qty.	Description



Starter Assembly Briggs and Stratton Model 303447-1408-E1

Ref. No.	Part No.	Qty.	Description
188	805247	1	Screw
309	691564	1	Starter Motor
310	496813	1	Bolt
510	496881	1	Starter Drive
544	690855	1	Starter Armature
797	691029	1	Nut
801	808778	1	Drive Cap
802	496813	1	End Cap Note: Includes 496887
803	690854	1	Starter Housing
1051	691124	1	Lock Ring

Ref. No.	Part No.	Qty.	Description



Assemblies include all parts shown in frames.

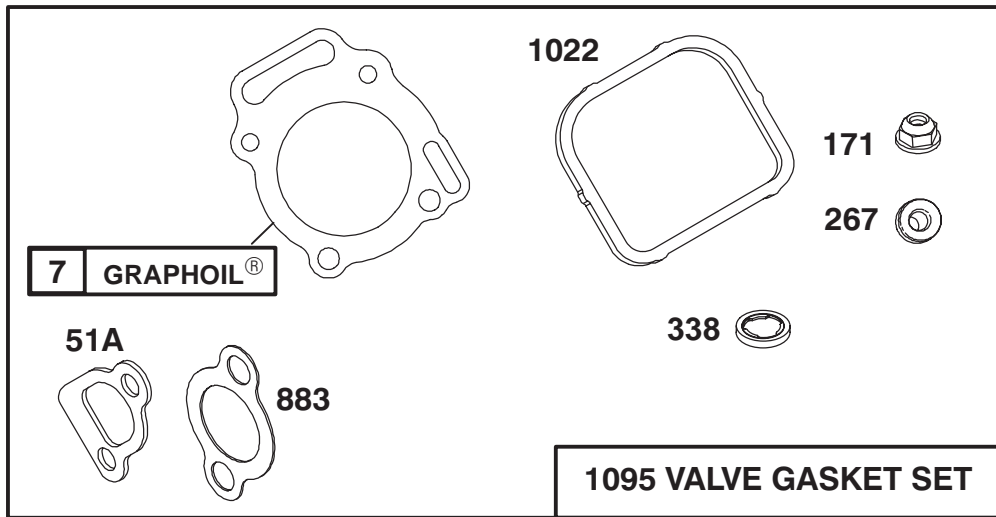
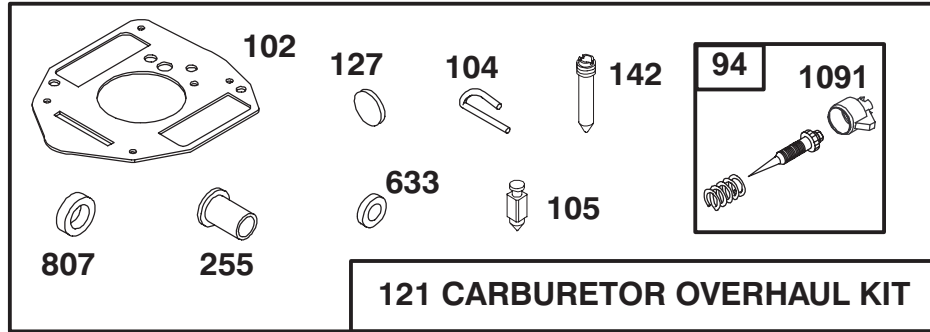
Engine Gasket Set Briggs and Stratton Model 303447-1408-E1

Ref. No.	Part No.	Qty.	Description
*3	805101	1	Oil Seal (Magneto Side)
*‡7	806085	1	Cylinder Head Gasket
*9	807688	1	Breather Gasket
*20	805049	1	Oil Seal (PTO Side)
*51	805700	1	Intake Gasket
*‡51A	805023	1	Intake Gasket
*163	805655	1	Air Cleaner Gasket
*‡267	805420	1	Sealing Washer
*273	690681	1	O-Ring Seal (Oil Pump)
*‡338	691312	1	Dipstick Gasket
358	808390	1	Engine Gasket Set
*468	690690	1	O-Ring Seal (Oil Pump Screen)
*524	693172	1	Dipstick Tube Seal
*691	690680	1	Governor Shaft Seal
*‡883	805024	1	Exhaust Gasket
*988	805250	1	Oil Filter Adapter Gasket
*‡1022	806039	1	Rocker Cover Gasket

Ref. No.	Part No.	Qty.	Description

* Included in Gasket Set - Part No. 808390.

‡ Included in Valve Overhaul Kit - Part No. 808392.



Assemblies include all parts shown in frames.

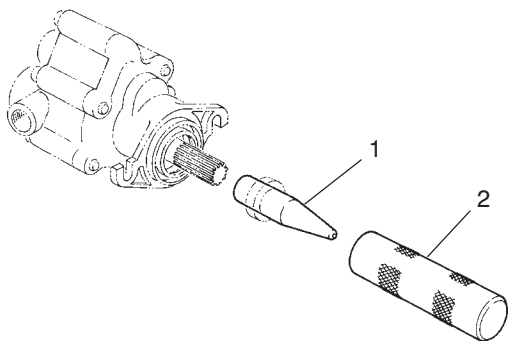
Carburetor Overhaul and Valve Gasket Kit Briggs and Stratton Model 303447-1408-E1

Ref. No.	Part No.	Qty.	Description
*†7	806085	1	Cylinder Head Gasket
*‡51A	805023	1	Intake Gasket
†94	808257	1	Idle Mixture Kit
†102	805541	1	Carburetor Body Gasket
†104	690723	1	Float Hinge Pin
†105	805547	1	Float Needle Valve
121	808273	1	Carburetor Overhaul Kit
†127	690727	1	Welch Plug
†142	690725	1	Carburetor Nozzle
‡171	805019	1	Nut (Air Cleaner)
†255	690721	1	Choke Shaft Bushing
*‡267	805420	1	Sealing Washer
*‡338	691312	1	Dipstick Gasket
†633	690722	1	Choke Shaft Seal
†807	805557	1	Throttle Spacer
*‡883	805024	1	Exhaust Gasket
*‡1022	806039	1	Rocker Cover Gasket
†1091	691516	1	Limiting Cap
1095	808392	1	Valve Gasket Set

Ref. No.	Part No.	Qty.	Description

* Included in Gasket Set - Part No. 808390.
 † Included in Carburetor Kit - Part No. 808273.
 ‡ Included in Valve Overhaul Kit - Part No. 808392.

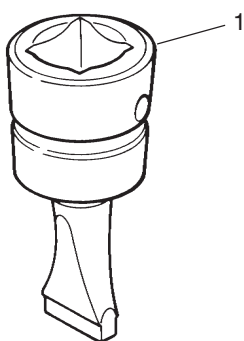
Special Tools Reel Motor Seal Installations Tools



T-0727

Ref. No.	Part No.	Qty.	Description
1	TOR491430	1	Protector—Seal
2	TOR491450	1	Installer—Seal

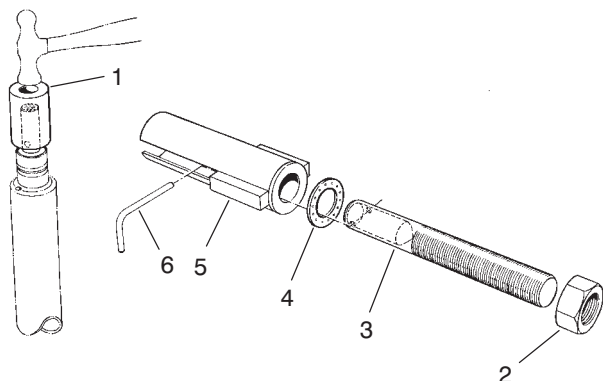
Bed Knife Screw Tool No. TOR510880



T-0729

Ref. No.	Part No.	Qty.	Description
1		1	Tool—Bed Knife Screw

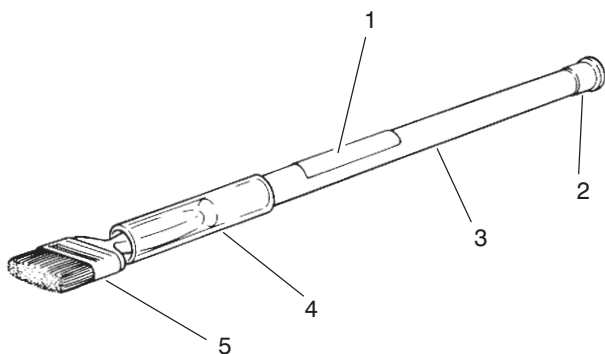
Bearing Replacement Tool Kit No. TOR238900



T-0730

Ref. No.	Part No.	Qty.	Description
1	23-8880	2	Driver—Bearing
2	3219-18	1	Nut—Hex
3	23-8840	1	Puller—Bolt
4	22-6090	1	Washer—Thrust
5	23-8850	1	Tube—Support
6	23-8860	1	Pin—Replacement, Bearing

Backlapping Brush Assembly No. 29-9100



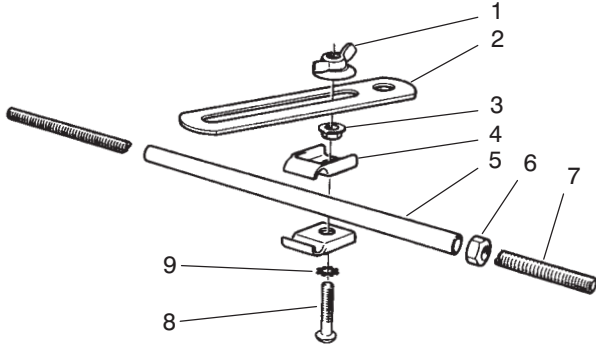
T-0731

Ref. No.	Part No.	Qty.	Description
1	12-9140	1	Decal
2	2410-18	1	Plug
3	29-9080	1	Handle
4	29-9090	1	Hose—Handle
5	36-4310	1	Brush

Note: Special tools may be ordered from: Owatonna Tool Company 2013 4th St. NW Owatonna, MN 55060

Special Tools (Continued)

Alignment Tool No. TOR200120



T-0732

Ref. No.	Part No.	Qty.	Description
1	3-4808	1	Nut-Wing
2	20-0110	1	Bracket-Alignment
3	32123-20	1	Nut-Lock, Flange
4	3-6657	2	Clip-Skid
5	20-0070	1	Tube
6	3219-2	1	Nut-Hex
7	20-0080	1	Rod
8	32122-35	1	Screw-Head, Truss
9	3255-8	1	Washer-Lock, Int. Tooth

**Note: Special tools may be ordered from: Owatonna Tool Company
2013 4th St. NW
Owatonna, MN 55060**

