



Greensmaster[®] 3250–D

Traction Unit

Model No. 04383—230000001 and Up

Parts Catalog

Ordering Replacement Parts

To order replacement parts, please supply: the part number, the quantity, and the description of each part desired.

Understanding Reference Numbers

Each identified part in an illustration has a reference number. The reference number for a part also appears in the parts list, along with other information about the part.

This catalog uses two special reference number formats, one to indicate parts in a service assembly and another to indicate the quantity of a given part in an illustration.

Service Assembly Reference Numbers

Parts in service assemblies have reference numbers in the form **a:b**. The **a** represents the reference number of the entire service assembly and the **b** represents a sequential number unique to each part within the service assembly.

For example, a wheel assembly might be identified by reference number **6**, the tire by **6:1**, the valve by **6:2**, and the wheel by **6:3**. When you order the assembly identified by reference number **6**, you receive all parts identified by reference numbers **6:1**, **6:2**, and **6:3**. However, you may also order any part individually.

Reference numbers of this type appear in illustrations and in part lists.

Reference Numbers Indicating Quantity

In an illustration, if a reference number indicates more than one part, the reference number has the form **nX y**. The **n** represents the quantity of the part, the **X** is the multiplication symbol, and the **y** represents the reference number.

For example, in an illustration, the reference number **2X 37** means that two of the parts identified by reference number **37** are indicated.

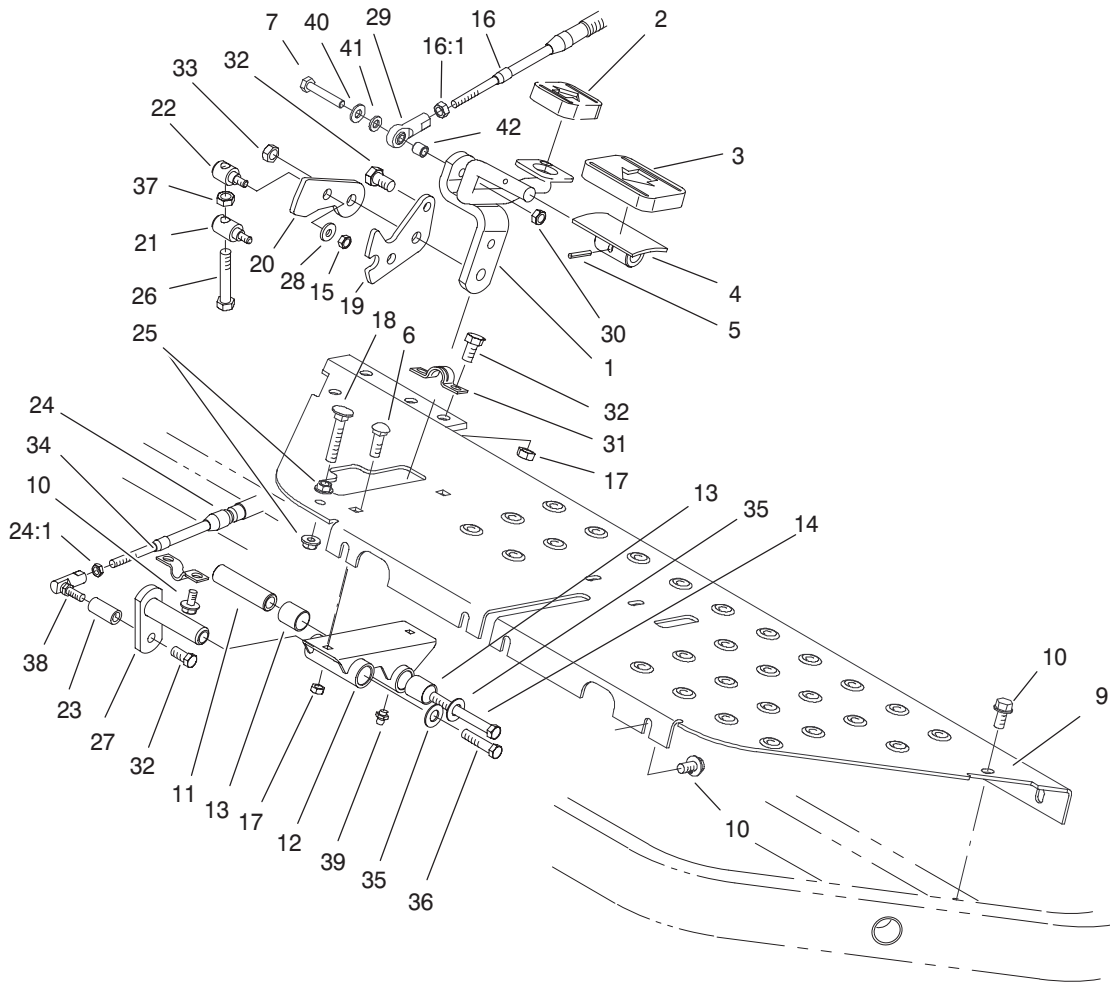
Contents

Description	Page	Description	Page
Traction Control Assembly	3	Rear Bulkhead and Reel Motor Assembly	29
Brake Pedal Assembly	4	LH and RH Lift Arm Assembly	30
Front Wheel and Brake Assembly	5	Hydraulic Cylinder Assembly No. 105–3821	31
Brake Assembly No. 104–7705	6	Center Lift Arm Assembly	32
Hydraulic Motor Assembly No. 92–9199	7	Hydraulic Cylinder Assembly No. 105–3820	33
Steering Arm Assembly	8	Fuel System Assembly	34
Steering Control Valve Assembly No. 105–0424	9	Hydraulic Tank and Filter Assembly	35
Rear Wheel Assembly	10	Center Pull Frame Assembly	36
Steering Cylinder Assembly No. 93–2122	11	Electrical Schematic	37
Console Assembly	12	Hydraulic Schematic	38
Functional Control Lever Assembly	14	Cylinder Assembly	39
Seat Assembly	15	Crankshaft Assembly	40
Electronics Installation Assembly	16	Cylinder Head Assembly	41
Hydrostat and Gear Pump Drive Assembly	17	Injection Assembly	42
Hydrostat Assembly No. 105–0494	18	Injection Assembly No. 106–6364	43
Gear Pump Assembly No. 104–7737	19	Rocker Arm Assembly	44
Neutral System Assembly	20	Oil Pan Assembly	45
Engine Installation Assembly	21	Cover Assembly	46
Air Cleaner and Exhaust Assembly	22	Gear Housing Assembly	47
Air Cleaner Assembly No. 95–5805	23	Water Pump Assembly	48
Radiator Assembly	24	Manifold Assembly	49
Manifold Block Installation Assembly	25	Alternator Assembly	50
Basic Mow/Lift Manifold Assembly No. 93–2240	26	Starter Motor Assembly No. 104–7716	51
Front Bulkhead and Reel Motor Assembly	27	Alternator Assembly No.	52
Reel Motor Assembly No. 100–6426	28	Gasket and Valve Overhaul Kit Assembly	53

Part Description Abbreviations

Part descriptions in this catalog may include the following abbreviations.

Abbreviation	Meaning	Abbreviation	Meaning
AR	as required	INC	incorporated
ASM	assembly	LH	left hand
CARR	carriage	NI	nylon insert
DEG	degrees	PPH	Phillips pan head
FH	flat head	PTH	Phillips truss head
GA	gauge	PTO	power take off
HF	hex flange	RH	right hand
HH	hex head	SFH	slotted fillister head
HHF	hex head flange	SHH	slotted hex head
HLH	hex lag head	SQH	square head
HJ	hex jam	SHWH	slotted hex washer head
HOC	height-of-cut	SPH	slotted pan head
HS	hex socket	SRH	slotted round head
HSBH	hex socket button head	STD	standard
HSFH	hex socket flat head	TAP	self tapping
HSH	hex socket head	TTH	Torx truss head
HWH	hex washer head	WH	wing head
HWHTF	hex washer head thread forming		

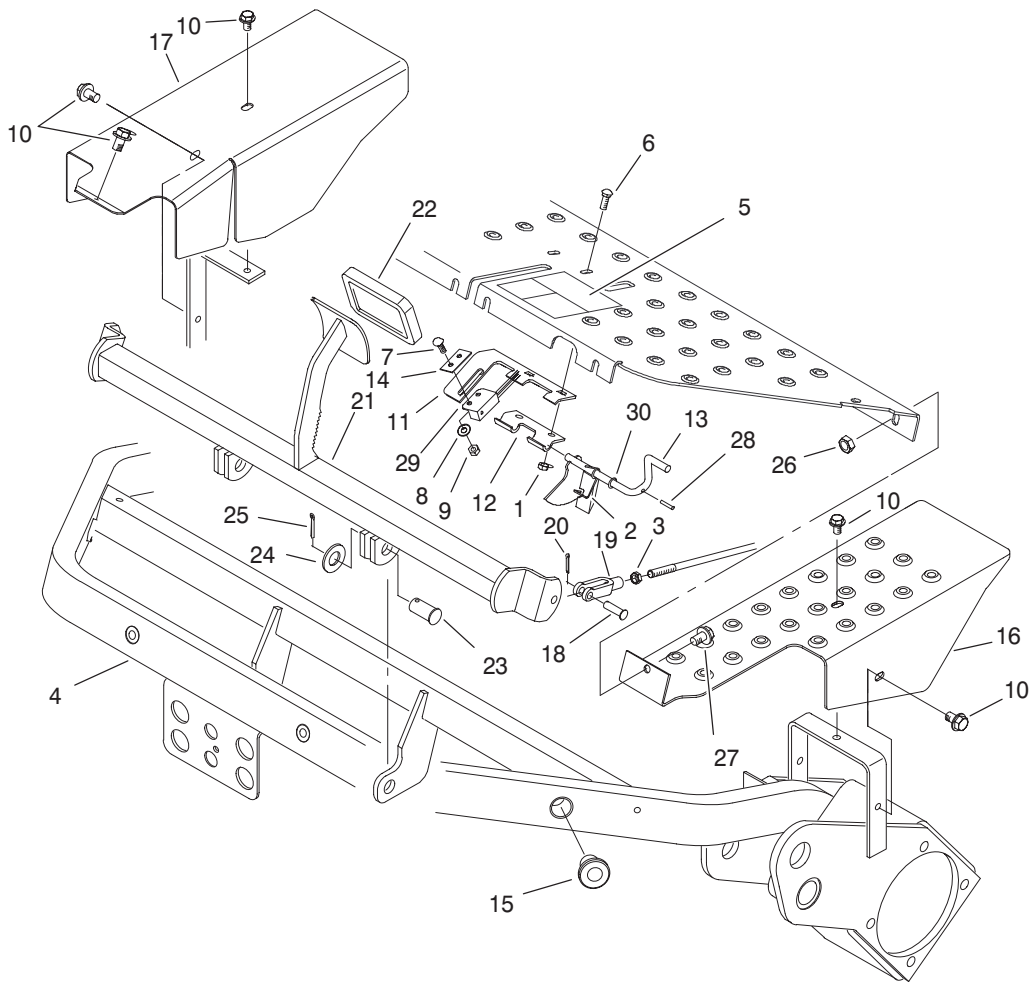


Sheet No.:2

Traction Control Assembly

Ref. No.	Part No.	Qty.	Description
1	93-2085-01	1	Rod
2	74-9110	1	Pad-Pedal, Reverse
3	74-9100	1	Pad-Pedal, Forward
4	49-6440-03	1	Pedal-Forward
5	32121-45	1	Pin-Spring
6	33124-020	2	Screw-CARR
7	321-9	1	Screw-HH
9	105-9750-01	1	Plate-Floor
10	32144-14	8	Screw-HWH
11	94-1371	1	Spacer
12	94-1383	1	Pedal-Pivot
13	256-311	4	Bushing-Split
14	33115-090	1	Screw-HH
15	33023-00	2	Nut-Lock
16	93-2099	1	Cable-Control, Traction
16:1	3220-1	2	Nut-Jam
17	33024-00	4	Nut-Lock
18	17-9420	1	Screw-Handle
19	94-1373	1	Bracket-Lock
20	94-1372	1	Bracket-Mow
21	94-1375	1	Trunnion-Bracket, Lock
22	94-1374	1	Trunnion-Bracket, Mow
23	94-1386	1	Shaft-Pedal, Pivot

Ref. No.	Part No.	Qty.	Description
24	94-1304	1	Cable-Lock, Neutral
24:1	3219-14	2	Nut-Hex
25	32128-20	2	Nut-HF
26	94-3489	1	Capscrew-HH
27	94-1300	1	Lock-Neutral
28	3256-1	2	Washer-Flat
29	2411-41	1	Joint-Ball
30	3296-56	1	Nut-Lock, NI
31	93-2092	1	Clamp-Cable
32	33114-016	4	Screw-HH
33	33025-00	1	Nut-Lock
34	93-2279	1	Clamp-Cable
35	3256-24	2	Washer-Flat
36	33115-016	1	Screw-HH
37	33014-00	1	Nut-Hex
38	2411-38	1	Joint-Ball
39	302-5	1	Fitting-Grease
40	3256-22	1	Washer-Flat
41	33093-00	1	Washer-Flat
42	99-3545	1	Spacer

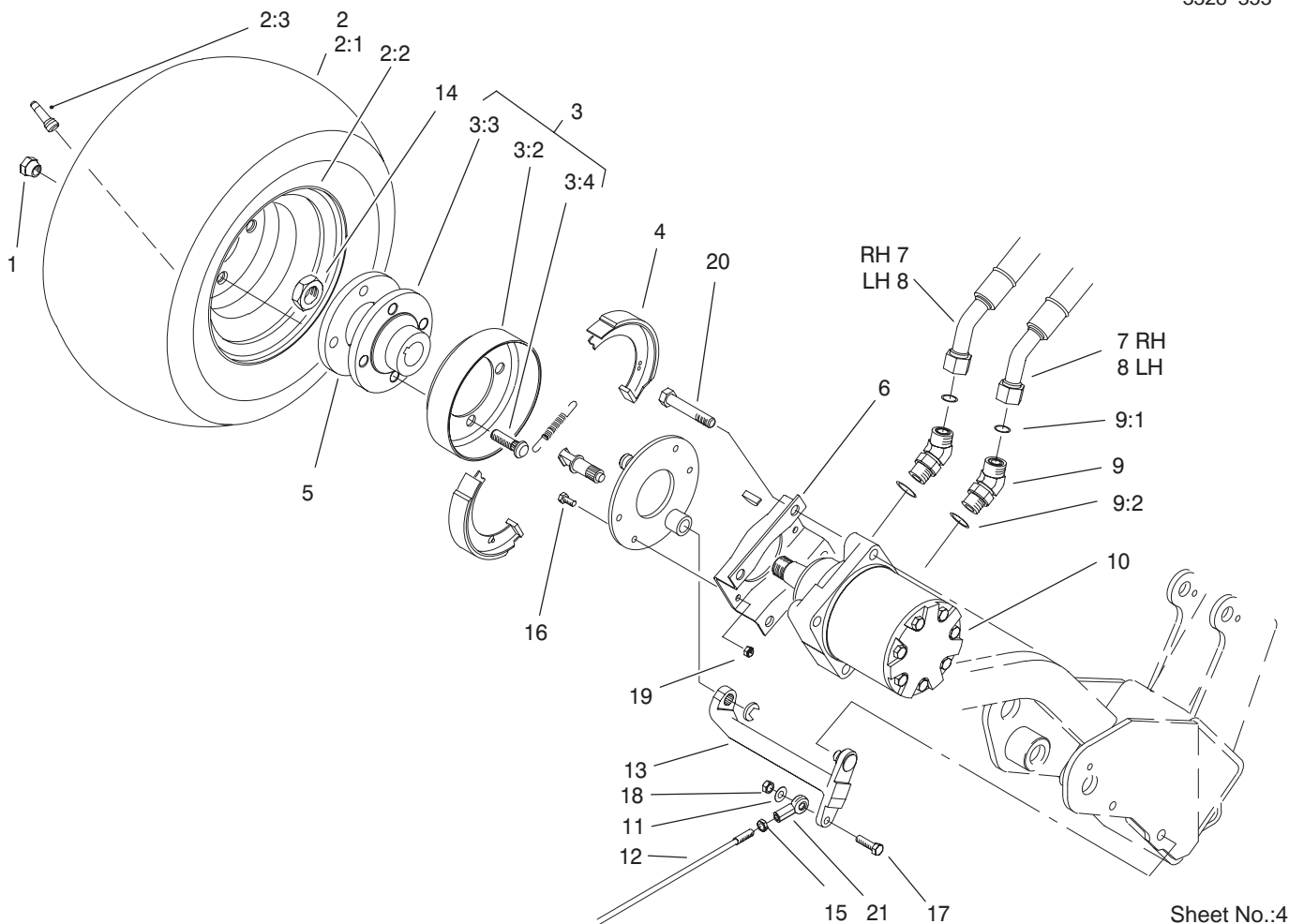


Sheet No.:3

Brake Pedal Assembly

Ref. No.	Part No.	Qty.	Description
1	33023-00	2	Nut-Lock
2	104-7704	1	Spring-Brake Latch
3	3220-2	2	Nut
4	93-2010-01	1	Frame
5	93-8062	1	Decal-Brake, Parking
6	33123-016	2	Screw-CARR
7	33123-016	1	Screw-CARR
8	48-8010	1	Washer
9	49-7810	1	Nut-Lock
10	32144-14	5	Screw-HWH
11	104-2096	1	Bracket-Switch
12	104-7703	1	Hinge-Lower
13	104-2094	1	Brake-Latch
14	104-7702	1	Plate-Switch
15	83-1700	3	Bushing-Flange
16	93-2073-01	1	Shield-Wheel, LH
17	93-2072-01	1	Shield-Wheel, RH
18	283-61	2	Pin-Yoke
19	282-2	2	Yoke
20	3272-6	2	Pin-Cotter
21	93-2075-01	1	Pedal-Brake
22	93-7629	1	Pad-Foot, Brake
23	283-87	2	Pin-Clevis
24	3256-27	2	Washer-Flat
25	3272-11	2	Pin-Cotter
26	33024-00	1	Nut-Lock

Ref. No.	Part No.	Qty.	Description
27	33114-020	1	Screw-HH
28	32121-50	1	Pin-Spring
29	104-2057	1	Sensor
30	75-5470	1	Spacer-Bearing

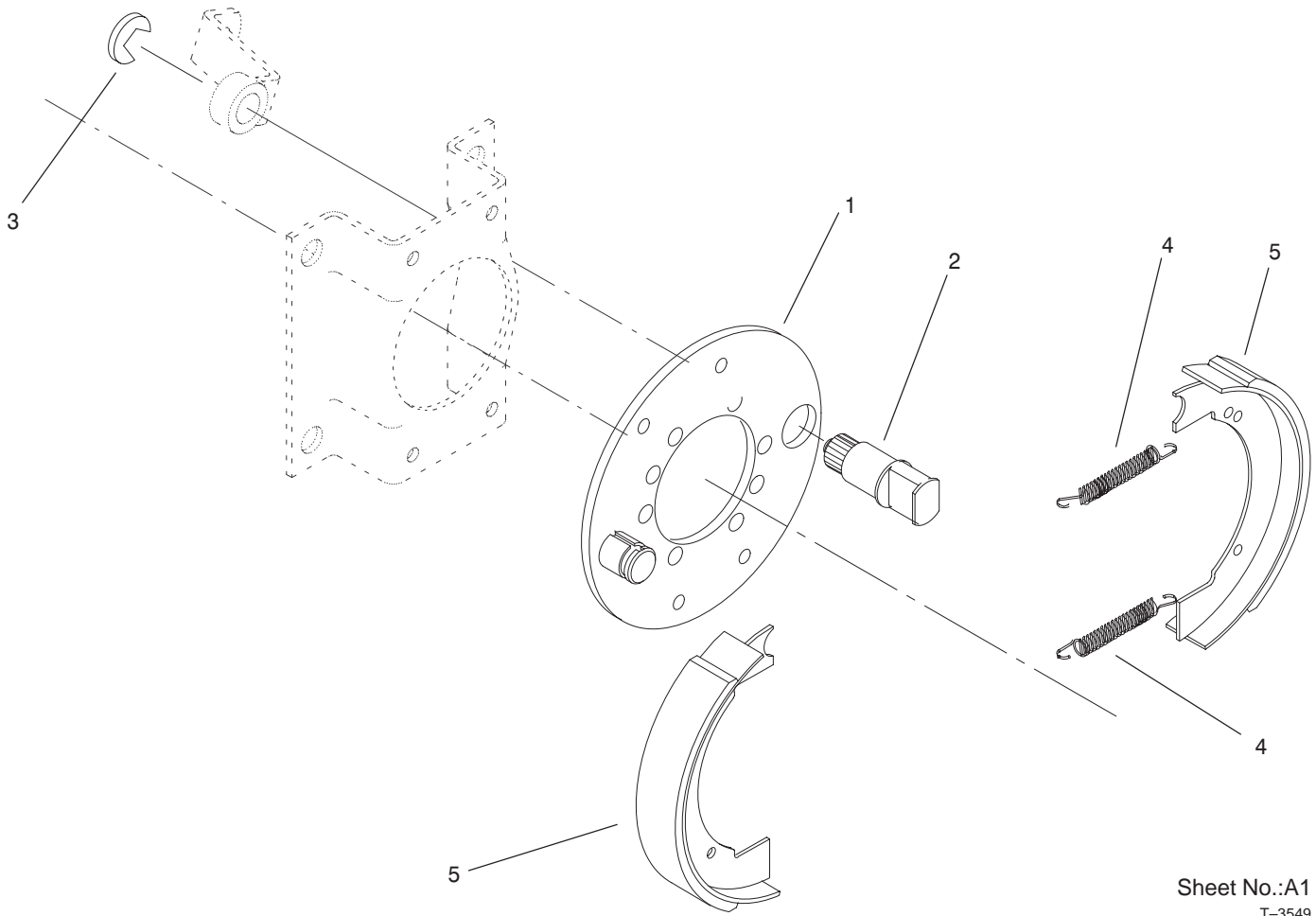


Front Wheel and Brake Assembly

Ref. No.	Part No.	Qty.	Description
1	242-50	8	Nut-Lug
☆2		2	Wheel And Tire ASM
2:1	70-8500	1	Tire
2:2	94-6116	1	Wheel-Rear
2:3	232-27	1	Stem-Valve
3	10-6821	2	Brake Drum ASM
3:2	10-6850	1	Drum-Brake
3:3	10-6870-03	1	Hub-Wheel
3:4	85-6540	4	Stud-Drive
4	104-7705	2	Brake ASM
5	92-9154-03	2	Plate-Bearing
6	84-2000-03	2	Bracket-Brake
7	94-5357	2	Hose ASM
8	94-5358	2	Hose ASM
9	340-14	4	Fitting-HYD, 45°
9:1	237-65	1	O-Ring
9:2	237-80	1	O-Ring
10	92-9199	2	Motor-Wheel, HYD
11	3256-23	2	Washer-Flat
12	93-2069	2	Rod-Brake
13	93-2096	2	Lever-Brake
14	26-3790	2	Nut-Lock
15	3220-20	2	Nut-Jam
16	33113-020	8	Screw-HH
17	33114-030	2	Screw-HH
18	33024-00	2	Nut-Lock

Ref. No.	Part No.	Qty.	Description
19	33023-00	8	Nut-Lock
20	33116-060	8	Screw-HH
21	93-2070	2	Clevis-Swivel

☆ Not serviced separately

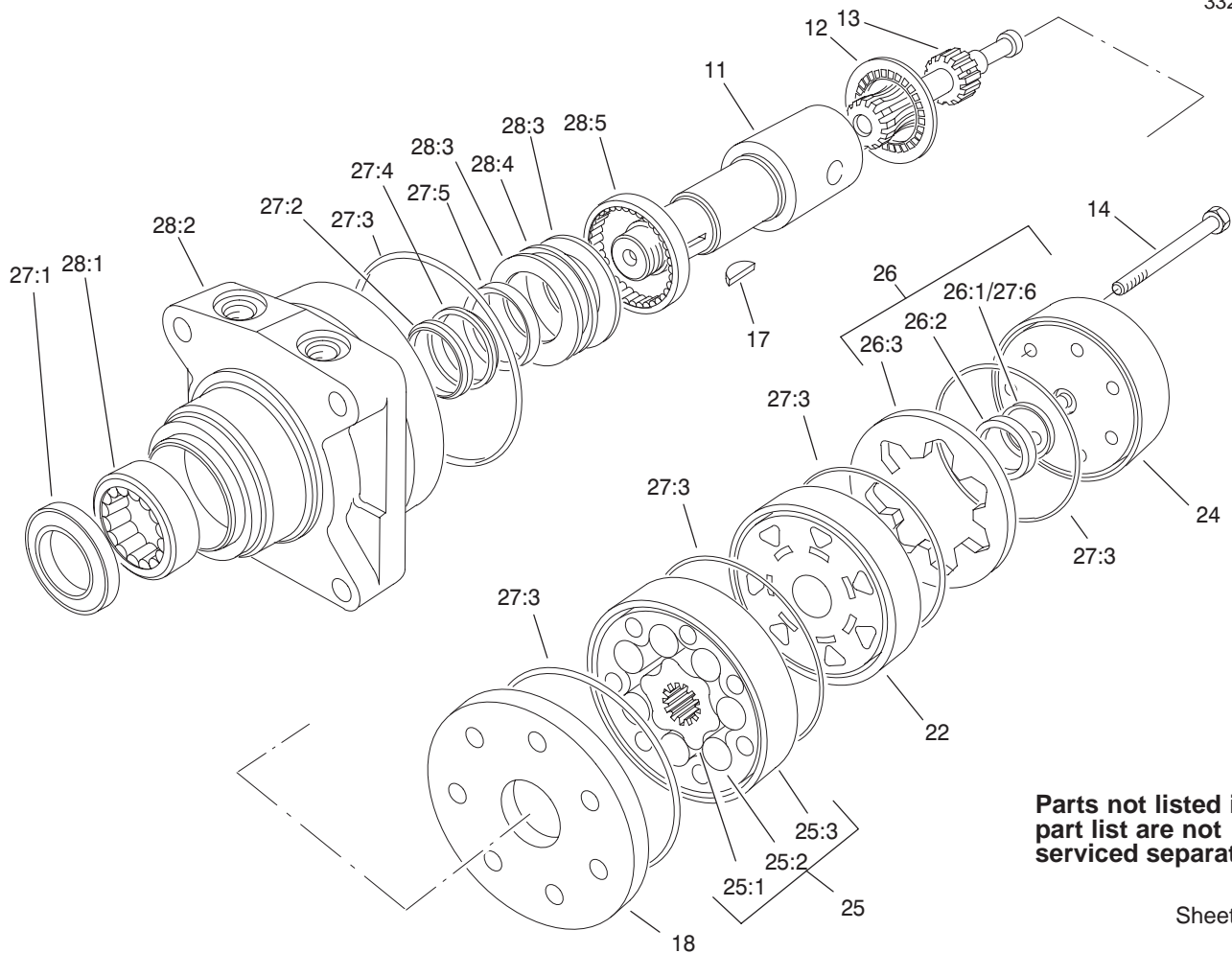


Sheet No.:A1
T-3549

Brake Assembly No. 104-7705

Ref. No.	Part No.	Qty.	Description
1	70-9870	1	Plate-Backing
2	104-7707	1	Shaft-Cam, Brake
3	104-7706	1	E-Ring-Bowed
4	70-9880	2	Spring-Return
5	70-9840	2	Shoe-Brake

Ref. No.	Part No.	Qty.	Description



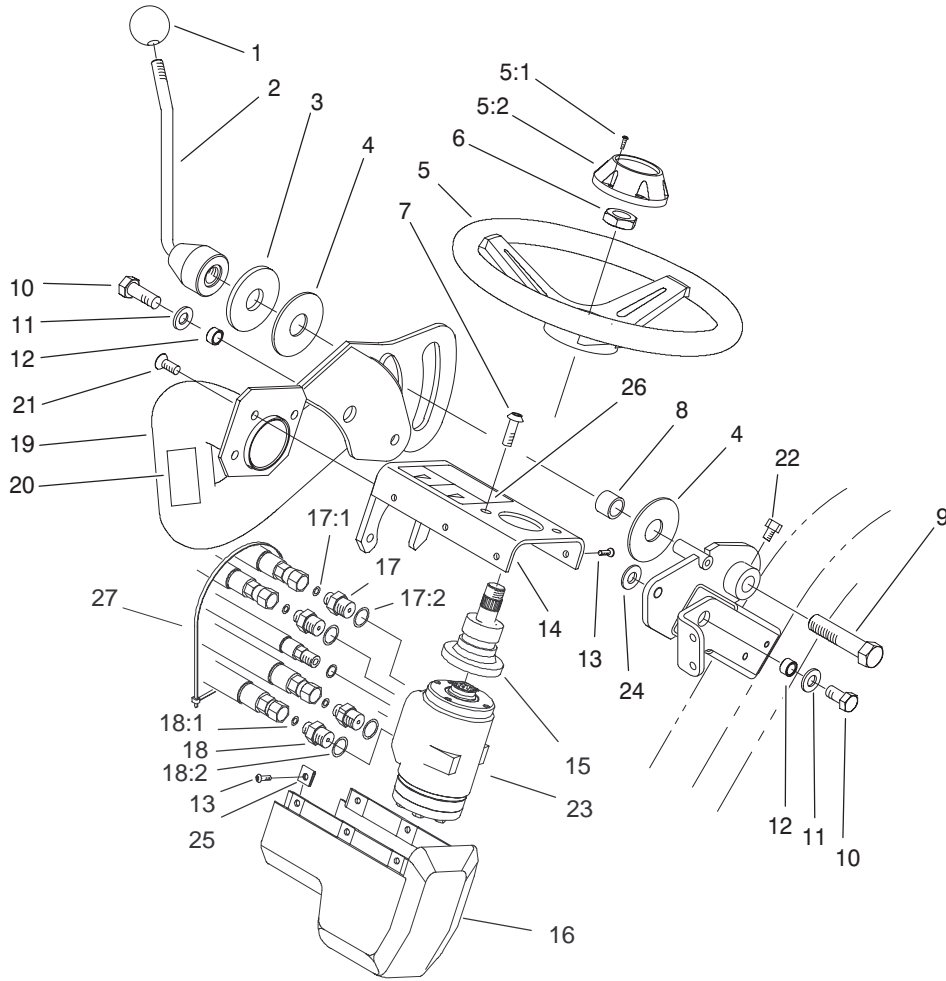
Sheet No.:A2
T-3356

Hydraulic Motor Assembly No. 92-9199

Ref. No.	Part No.	Qty.	Description
11	76-0860	1	Shaft-Coupling
12	76-0850	1	Bearing-Thrust
13	92-9761	1	Link-Drive
14	92-9762	7	Screw-HH
17	3257-42	1	Key-Woodruff
18	76-0870	1	Plate-Wear
22	76-0840	1	Manifold
24	76-0940	1	End Cover ASM
25	92-9763	1	Rotor Set
☆25:1		1	Rotor
☆25:2		1	Vane
☆25:3		1	Stator
26	76-0880	1	Commutator ASM
☆26:1		1	Seal-Commutator
☆26:2		1	Commutator
☆26:3		1	Ring-Commutator
27	94-8178	1	Seal Kit
☆27:1		1	Seal-Dirt And Water
☆27:2		1	Washer-Backup
☆27:3		5	Seal-Ring
☆27:4		1	Washer-Backup
☆27:5		1	Seal-Inner
☆27:6		1	Seal-Commutator
28	76-0810	1	Housing ASM
☆28:1		1	Bearing
☆28:2		1	Housing

Ref. No.	Part No.	Qty.	Description
☆28:3		2	Washer-Thrust
☆28:4		1	Bearing-Thrust
☆28:5		1	Bearing

☆ Not serviced separately

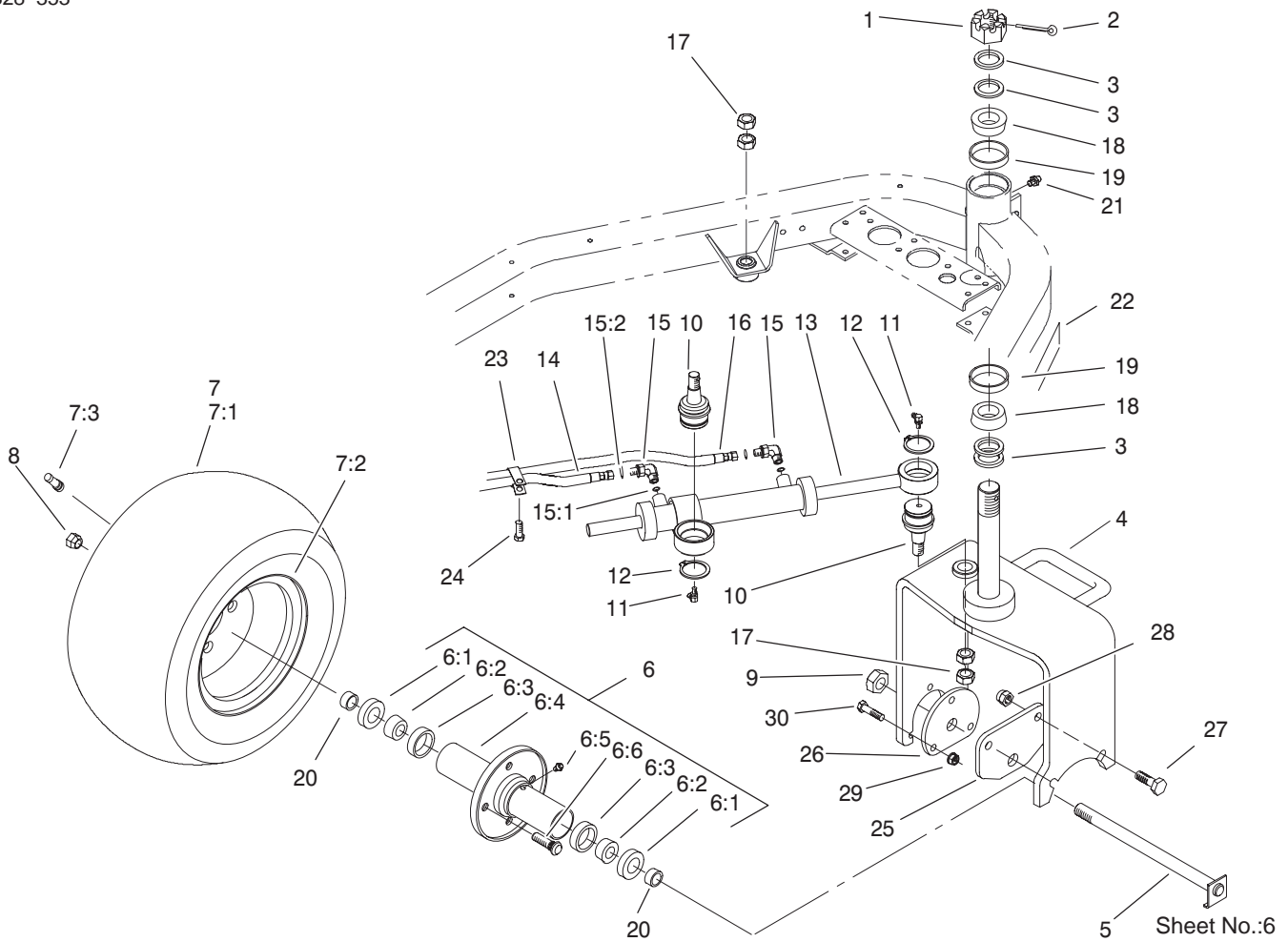


Sheet No.:5

Steering Arm Assembly

Ref. No.	Part No.	Qty.	Description
1	233-48	1	Knob
2	93-2400-03	1	Handle-Lockup
3	83-0760	1	Spacer-Plate, Lockup
4	83-0740	2	Disc-Friction
5	75-0560	1	Wheel-Steering
5:1	32144-21	1	Screw
5:2	68-5140	1	Cap-Wheel, Steering
6	94-9952	1	Nut-Hex
7	33103-016	4	Screw-HHF
8	83-0730	1	Spacer-Lockup
9	93-2199	1	Screw-HH, RH
10	325-4	2	Screw-HH
11	3256-26	2	Washer-Flat
12	47-2890	2	Bushing
13	3274-39	6	Screw-HSBH
14	105-9791-03	1	Steering Cover ASM
15	105-0425	1	Steering Column ASM
16	83-0810	1	Cover-Steering
17	340-1	2	Adapter
17:1	237-35	1	O-Ring
17:2	237-42	1	O-Ring
18	340-2	2	Fitting-Straight, HYD
18:1	237-22	1	O-Ring
18:2	237-42	1	O-Ring
19	93-2115-01	1	Arm-Steering
20	93-8068	1	Decal-Arm, Steering

Ref. No.	Part No.	Qty.	Description
21	3274-80	3	Screw-HH
22	3242-2	1	Screw-SQH
23	105-0424	1	Valve-Control, Steering
24	65-6390	1	Washer-Thrust, Plain
25	3290-277	6	Nut-Speed
26	104-2053	1	Decal-Warning
26	93-8063	1	Decal-Warning (Europe)
27	3290-379	1	Tie-Cable

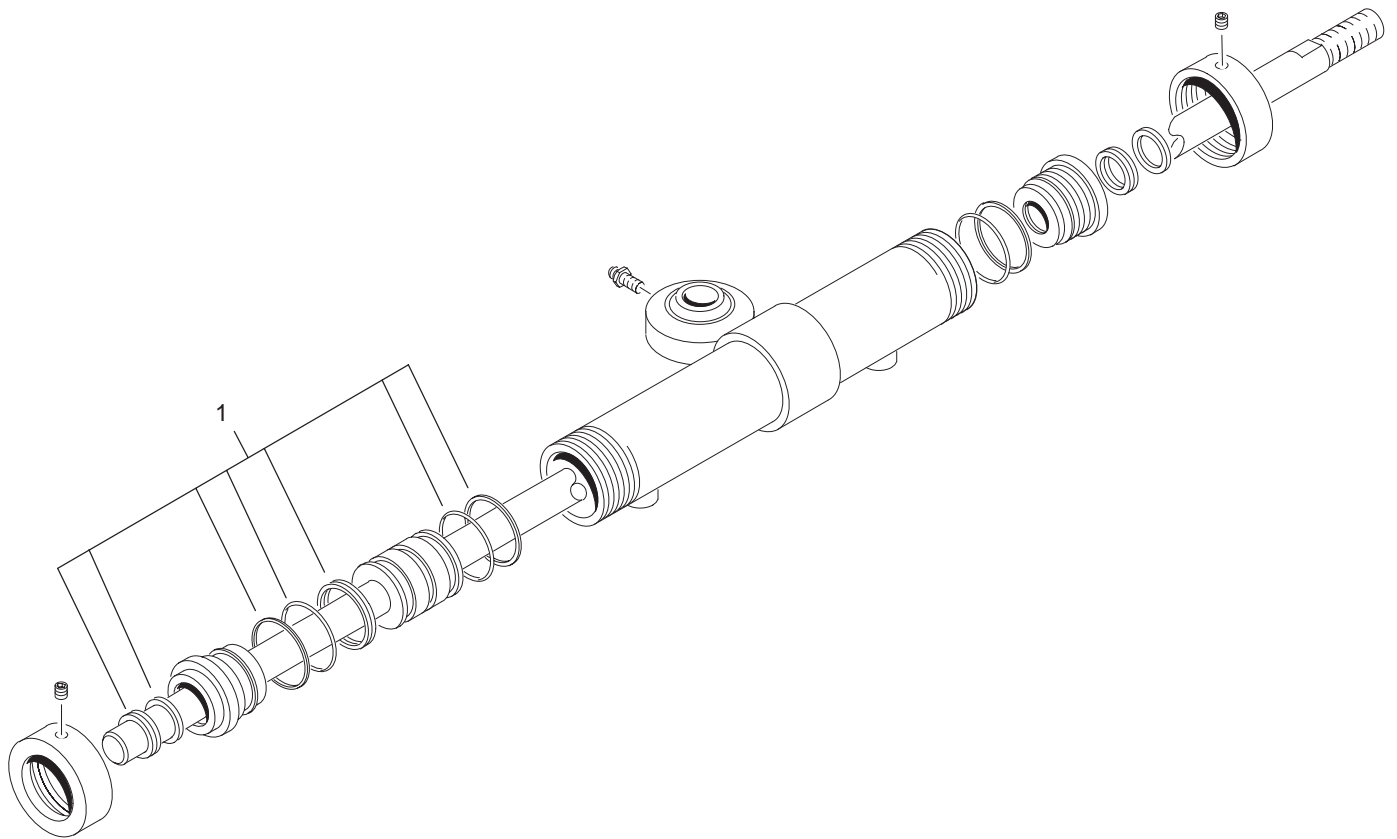


Rear Wheel Assembly

Ref. No.	Part No.	Qty.	Description
1	32136-9	1	Nut-Hex, Slot
2	3272-37	1	Pin-Cotter
3	18-6320	4	Washer-Steering
4	99-1492-01	1	Castor Fork ASM
5	70-8370	1	Bolt
6	72-9710	1	Hub-Tire, Sulky
6:1	253-111	2	Seal-Oil
6:2	254-78	2	Bearing-Cone
6:3	254-79	2	Bearing-Roller, Cup
6:4	75-9440	1	Hub ASM
6:5	302-55	1	Zerk
6:6	10-6830	4	Stud-Type, Drive
☆7		1	Wheel And Tire ASM
7:1	70-8500	1	Tire
7:2	94-6116	1	Wheel-Rear
7:3	232-27	1	Stem-Valve
8	242-50	4	Nut-Lug
9	3296-67	1	Nut-Lock NI
10	92-5838	2	Joint-Ball
11	302-60	2	Fitting-Grease
12	32151-104	2	Ring-Retaining, Ext
13	93-2122	1	Steering Cylinder ASM
14	93-2270	1	Hydraulic Hose ASM
15	340-132	2	Fitting-HYD, 90°
15:1	237-78	1	O-Ring
15:2	237-21	1	O-Ring

Ref. No.	Part No.	Qty.	Description
16	93-2269	1	Hydraulic Hose ASM
17	3220-6	4	Nut-Jam
18	254-70	2	Bearing-Cone
19	254-61	2	Bearing-Cup
20	70-8490	2	Spacer-Spindle, Rear
21	302-5	1	Fitting-Grease
22	99-1493	1	Decal
23	92-5753	1	Clamp-Hose
24	32144-14	1	Screw-HWH
25	99-1485-01	1	Plate-Adapter, Motor
26	99-1486-01	1	Plate-Adapter
27	325-6	2	Screw-HH
28	3296-23	2	Nut-Lock, NI
29	3296-39	3	Nut-Lock, NI
30	323-8	3	Screw-HH

☆ Not serviced separately

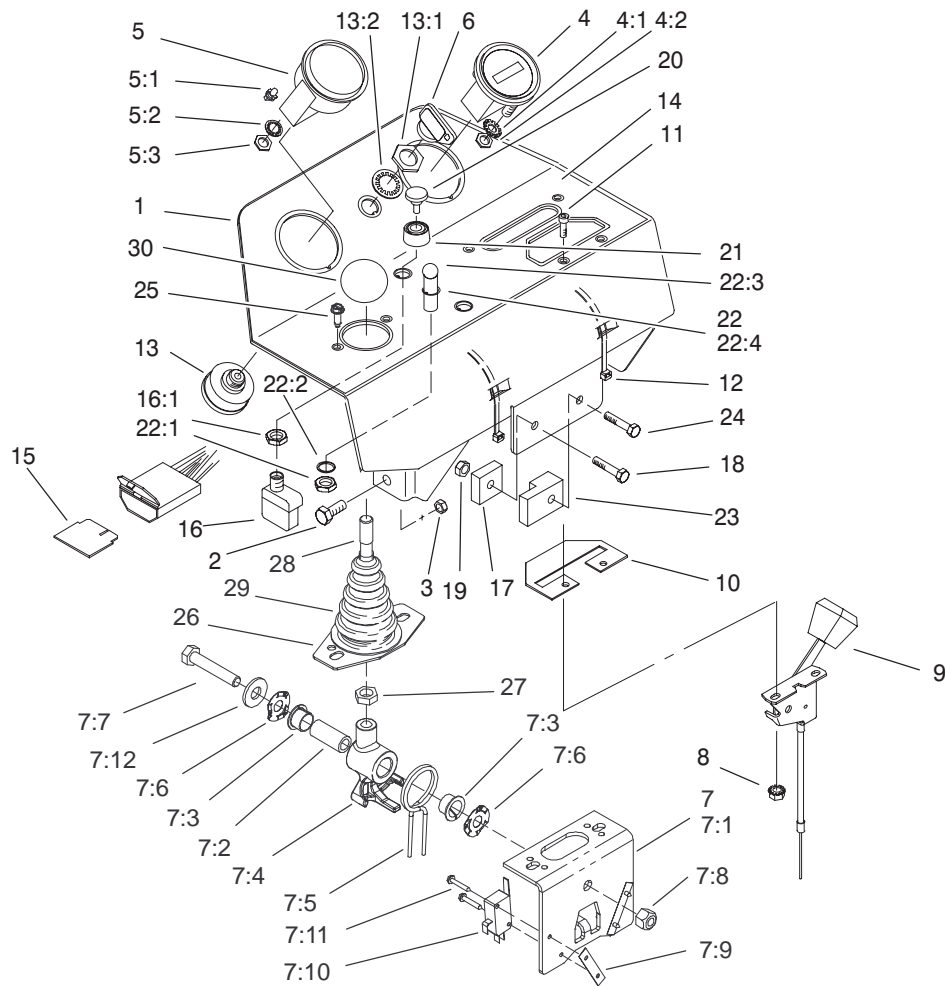


Sheet No.:A4
T-3721

Steering Cylinder Assembly No. 93-2122

Ref. No.	Part No.	Qty.	Description
1	94-4398	1	Seal Repair Kit

Ref. No.	Part No.	Qty.	Description



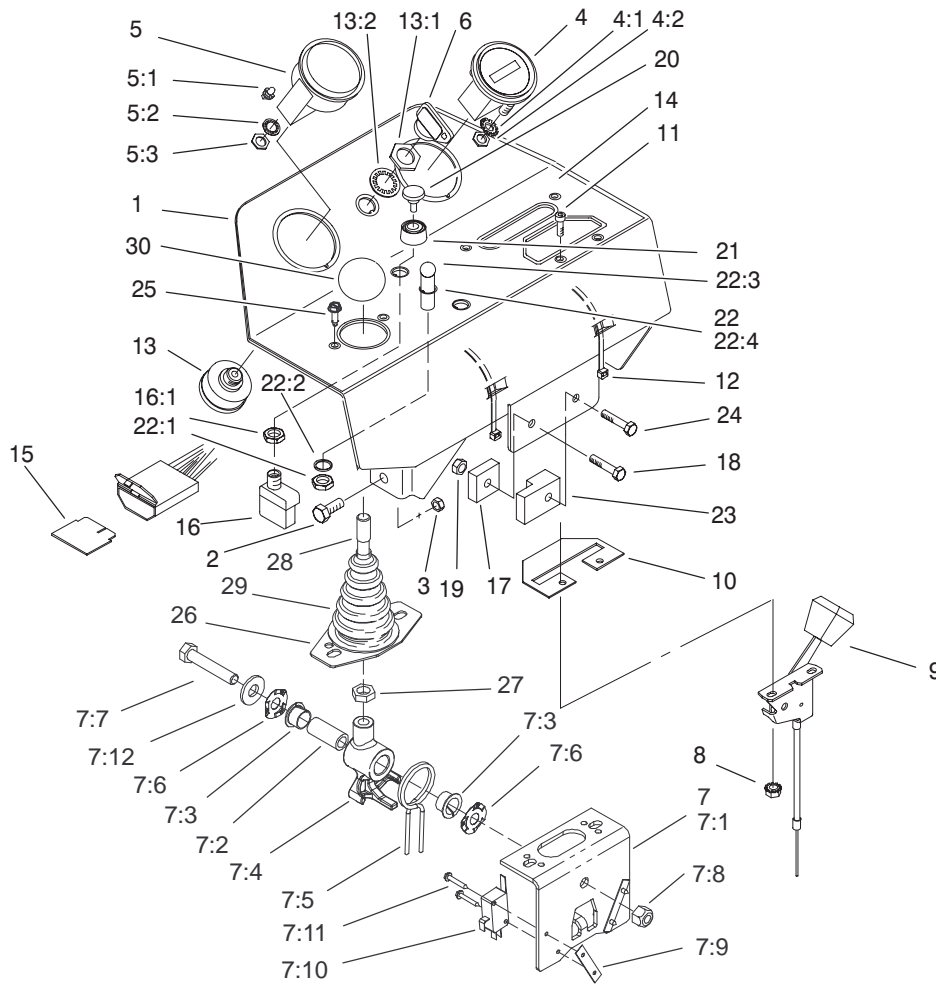
Sheet No.:7

Console Assembly

Ref. No.	Part No.	Qty.	Description
1	100-3185-03	1	Console ASM
2	33114-020	4	Screw-HH
3	33024-00	4	Nut-Lock
4	66-2950	1	Gauge-Hourmeter
4:1	3255-20	2	Washer-Lock
4:2	3217-25	2	Nut-Hex
5	93-7053	1	Cluster-Lamp, Warning
5:1	219-17	4	Bulb
5:2	3254-1	1	Washer-Lock, Internal
5:3	3217-26	1	Nut-Hex
6	63-8360	1	Key-Ignition
☆7		1	Joystick Bracket ASM
7:1	106-4168-03	1	Bracket-Joystick
7:2	106-4192	1	Spacer
7:3	93-5547	2	Bushing-Nylon
7:4	105-7507	1	Hub-Pivot, Joystick
7:5	105-8289	1	Spring-Torsion
7:6	106-4193	2	Washer-Finger, Spring
7:7	322-9	1	Screw-HH
7:8	3296-29	1	Nut-Lock, NI
7:9	3290-354	2	Nut-Speed
7:10	111332	2	Switch
7:11	147665	4	Screw-HH
7:12	3256-3	1	Washer-Flat
8	32149-8	2	Nut-Keps

Ref. No.	Part No.	Qty.	Description
9	99-8150	1	Control-Throttle
10	99-8195-03	1	Plate-Cover
11	3273-26	2	Screw-HSH
12	3290-378	2	Tie-Cable
13	27-2360	1	Switch-Key
13:1	218-446	1	Nut-Hex
13:2	218-447	1	Washer-Lock
14	100-3183	1	Decal-Panel, Control
15	92-3188	1	Diode-Board, Circuit
16	72-9760	1	Switch
16:1	218-498	1	Locknut-Hex
17	92-2538	1	Timer-Plug, Glow
18	33113-030	1	Screw-HH
19	33023-00	2	Nut-Lock
20	43-6280	1	Button-Push
21	43-6420	1	Bezel
22	44-2212	1	Amber Indicator Light ASM
22:1	218-535	1	Nut-Hex
22:2	218-536	1	Washer-Lock
☆22:3		1	Bulb
22:4	218-562	1	Lens
23	99-9666	1	Module
24	33113-020	1	Screw-HH
25	32144-19	2	Screw-Forming, Thread

☆ Not serviced separately

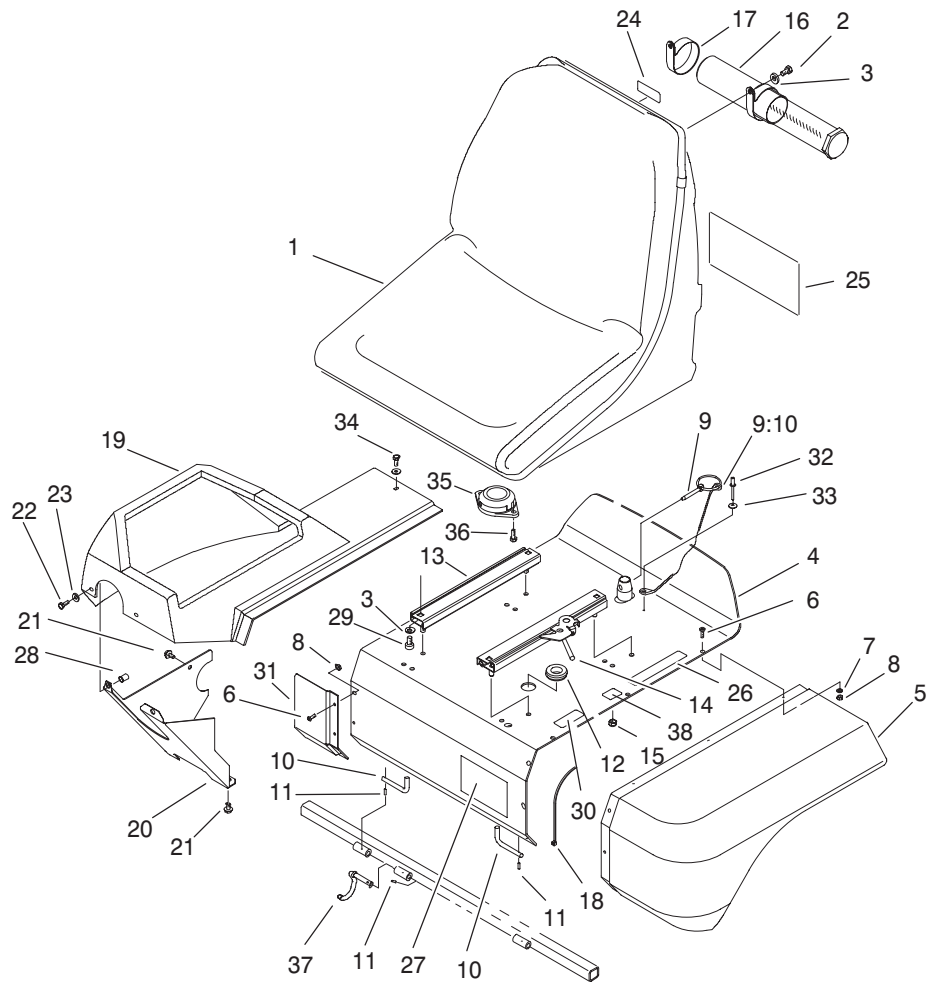


Sheet No.:7

Console Assembly (Continued)

Ref. No.	Part No.	Qty.	Description
26	106-4188-03	1	Plate-Boot
27	3218-3	1	Nut-Jam
28	105-8288	1	Rod-Joystick
29	93-5961	1	Boot-Lever
30	233-42	1	Knob

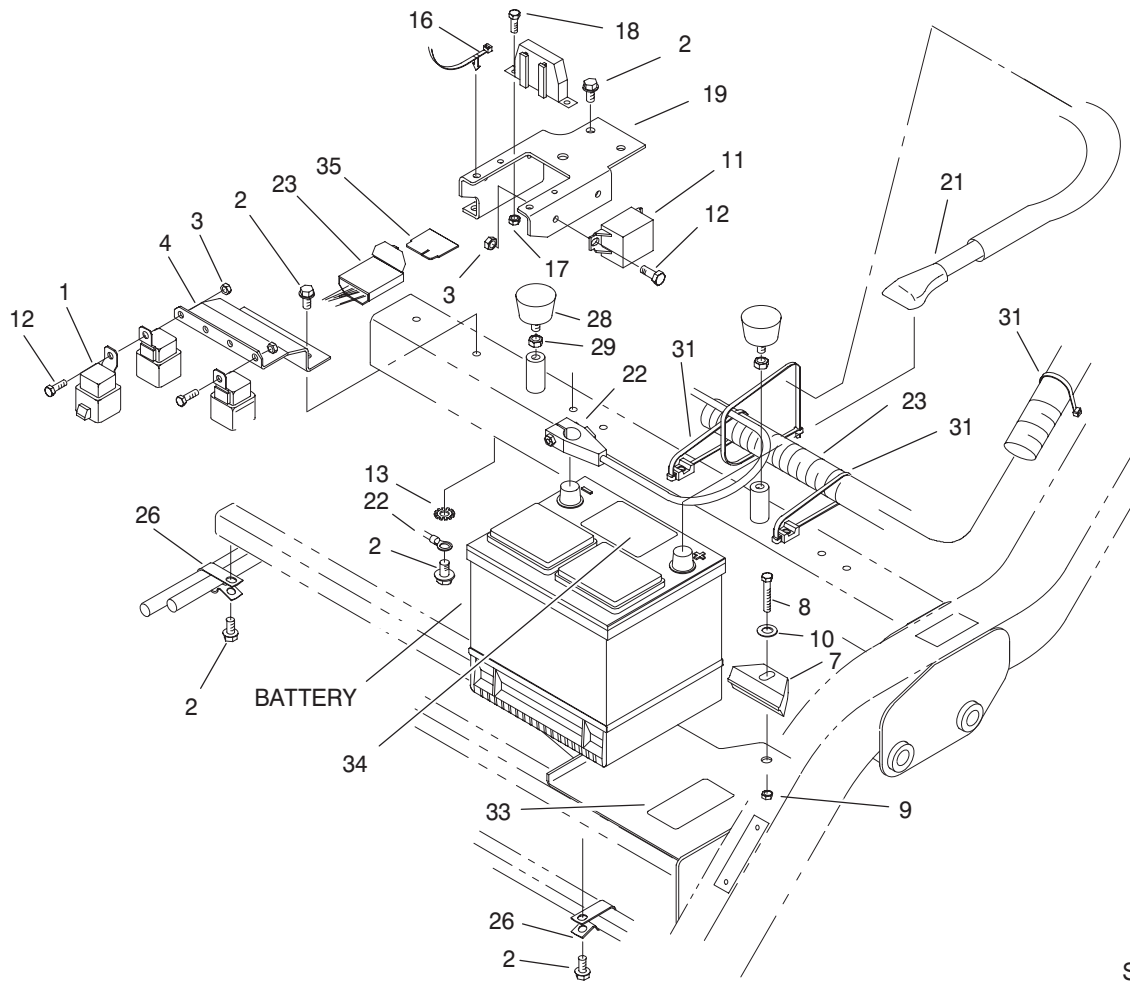
Ref. No.	Part No.	Qty.	Description



Sheet No.:9

Seat Assembly

Ref. No.	Part No.	Qty.	Description	Ref. No.	Part No.	Qty.	Description
1	100-3187	1	Seat ASM	25	106-6380	1	Decal-Spanish
2	322-2	2	Screw-HH	25	106-6381	1	Decal-French
3	3256-23	6	Washer-Flat	25	106-6382	1	Decal-German
4	93-2135-03	1	Support-Seat	25	106-6383	1	Decal-Swedish
5	93-2128	1	Panel-Base, Seat	25	106-6384	1	Decal-Italian
6	3274-39	9	Screw-HSBH	25	106-6387	1	Decal-Finnish
7	3256-77	6	Washer-Flat	25	106-6386	1	Decal-Norwegian
8	3296-12	9	Nut-Lock	25	106-6385	1	Decal-Portuguese
9	77-3780	1	Pin ASM	25	106-6388	1	Decal-Danish
9:10	28-8070	1	Lanyard	25	106-6389	1	Decal-Dutch
10	93-2422	2	Rod-Pivot, Seat	25	106-6390	1	Decal-Japan
11	32121-7	3	Pin-Spring	26	93-6689	1	Decal-No Riders
12	237-100	1	Grommet	27	94-2579	1	Decal-Toro
13	92-8990	1	Adjuster - 7"	28	93-5447	2	Nut-Clinch
14	92-8991	1	Adjuster W/Latch	29	3274-12	4	Screw-HSH
15	3296-29	4	Nut-Lock, NI	30	93-7252	1	Decal-International
16	74-0720	1	Tube-Manual	31	94-4546-03	1	Panel-Extension
17	2412-133	2	R-Clamp	32	3290-282	1	Rivet-Pop, Steel
18	3290-378	1	Tie-Cable	33	3256-49	1	Washer-Flat
19	99-4208	1	Shroud-Console	34	33113-012	1	Screw-HH
20	94-4547-03	1	Panel-Lower, RH	35	92-6282	1	Switch-Seat
21	32144-14	2	Screw-HWH	36	32144-10	2	Screw-HWH
22	33113-016	2	Screw-HH	37	99-4247	1	Wire-Hook
23	3256-1	3	Washer-Flat	38	105-4674	1	Decal-Noise, Ce
24	93-6686	1	Decal-Oil, HYD				
25	106-6379	1	Decal-Service				



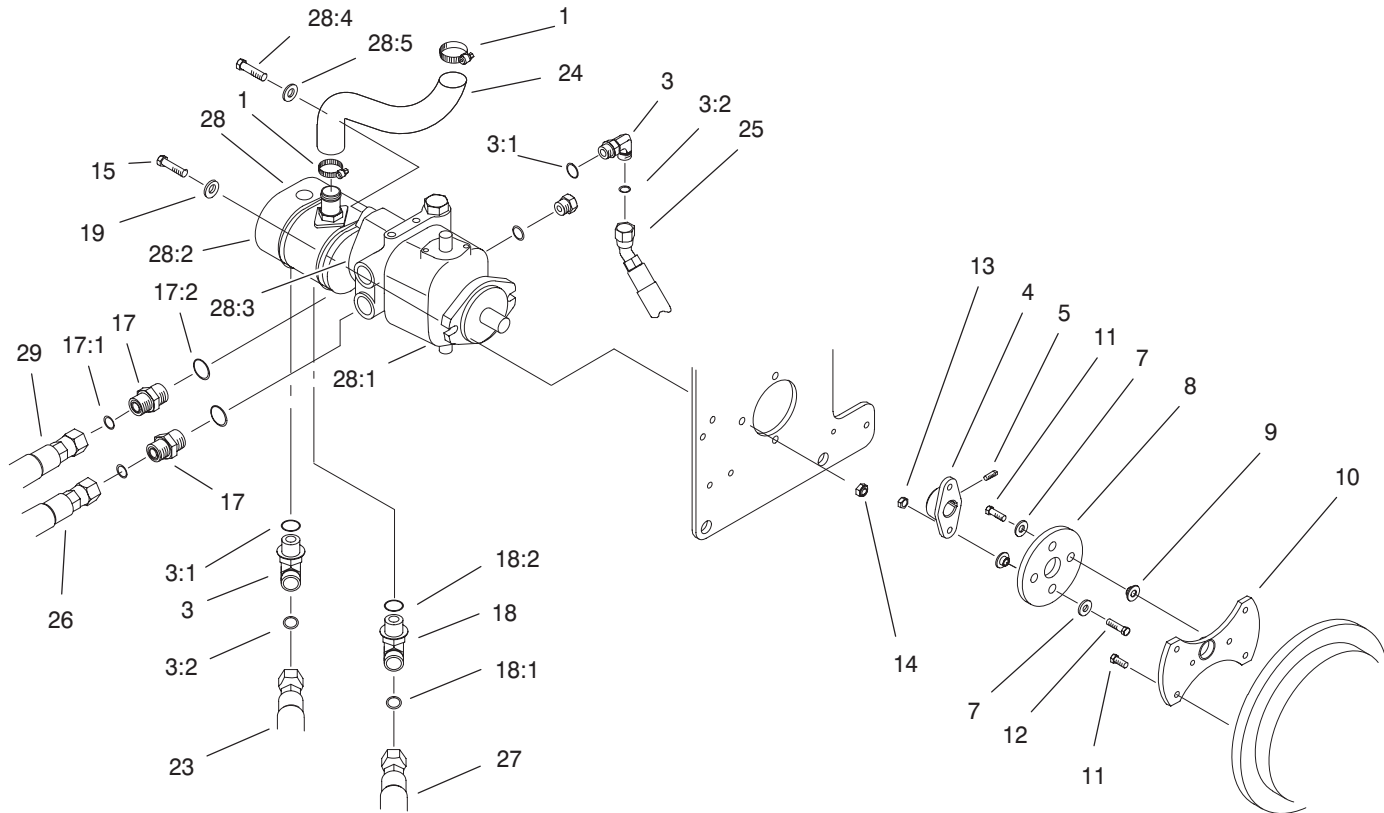
Sheet No.:10

Electronics Installation Assembly

Ref. No.	Part No.	Qty.	Description
1	70-1480	8	Relay
2	32144-11	7	Screw-TAP
3	33023-00	6	Nut-Lock
4	93-2169-01	1	Bracket-Relay
7	66-2490	1	Retainer-Battery
8	33115-040	1	Screw-HH
9	33025-00	1	Nut-Lock
10	3256-24	1	Washer-Flat
11	66-8800	1	Relay
12	33113-016	6	Screw-HH
13	3254-2	1	Washer-Lock, Internal
16	94-1325	2	Tie-Mount, Push
17	3296-2	2	Nut-Lock
18	32105-13	2	Screw-SHH
19	100-3186-03	1	Bracket-Holder, Fuse
21	95-8853	1	Cable-Battery, Positive
22	99-8167	1	Cable-Battery, Negative
23	104-7700	1	Wire Harness-Main
*23:1	67-7120	2	Fusible Link
*23:2	99-6125	1	Wire ASM-Fusable Link
*23:3	92-3188	2	Diode-Board, Circuit
26	92-5753	2	Clamp-Hose
28	68-3270	2	Bumper-Rubber

Ref. No.	Part No.	Qty.	Description
29	3218-2	2	Nut-Jam
31	3290-378	6	Tie-Cable
33	93-6668	1	Decal-Battery
34	93-7276	1	Decal-Danger
35	92-3188	1	Diode-Board, Circuit

* Not illustrated



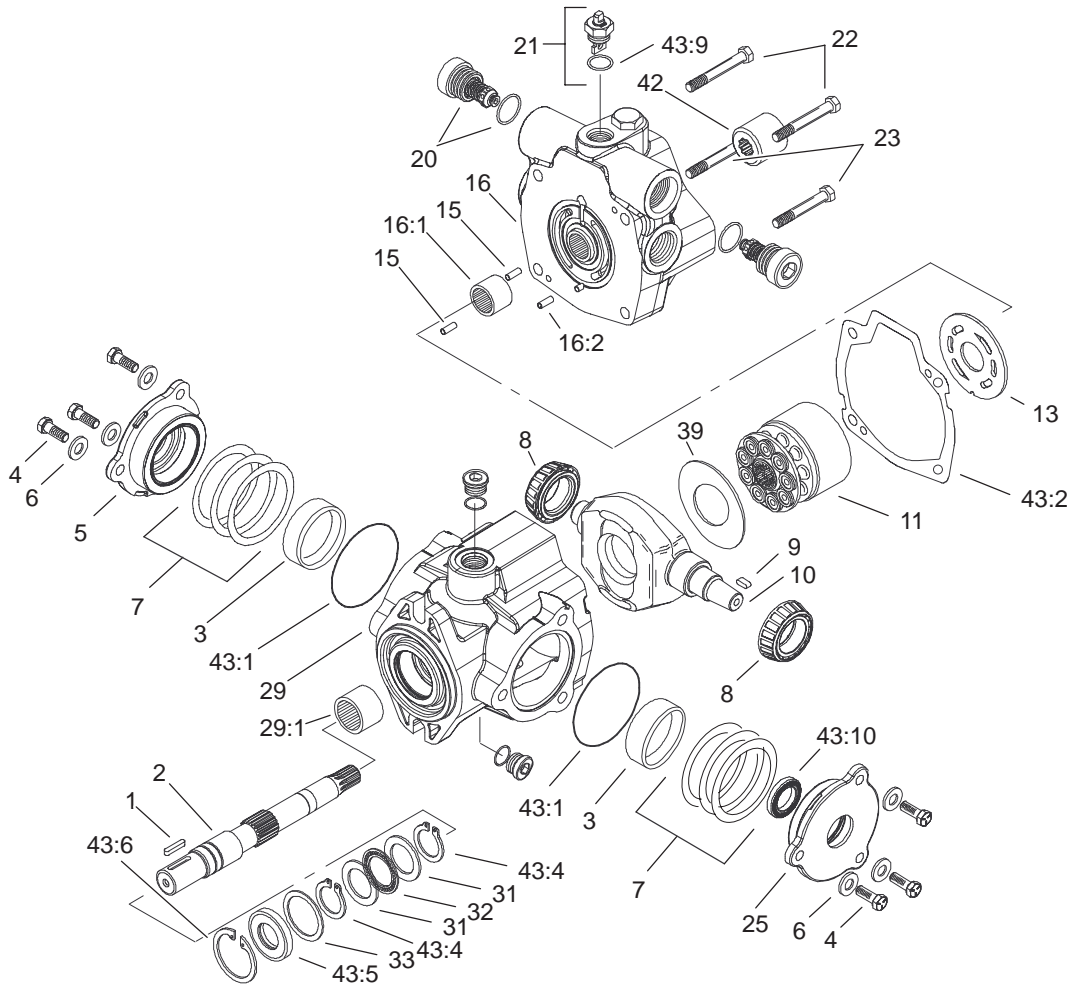
Sheet No.:11

Hydrostat and Gear Pump Drive Assembly

Ref. No.	Part No.	Qty.	Description
1	2412-34	2	Clamp-Hose
3	340-18	2	Fitting-HYD, 90°
3:1	237-79	1	O-Ring
3:2	237-22	1	O-Ring
4	93-2589	1	Hub-Pump
5	3241-6	2	Screw-SQH
7	3256-3	2	Washer-Flat
8	80-8650	1	Coupling-Drive
9	27-6600	4	Spacer-Coupling
10	93-2220-03	1	Adapter-Pump
11	33114-020	6	Screw-HH
12	33114-030	1	Screw-HH
13	33024-00	2	Nut-Lock
14	33025-00	2	Nut-Lock
15	33115-040	2	Screw-HH
17	340-8	2	Adapter
17:1	237-65	1	O-Ring
17:2	237-81	1	O-Ring
18	340-17	1	Fitting-HYD, 90°
18:1	237-65	1	O-Ring
18:2	237-80	1	O-Ring
19	100-4852	2	Washer-Hardened
23	105-4339	1	Hose ASM
24	99-1905	1	Hose-Inlet, Pump
25	105-9794	1	Hose ASM
26	99-4220	1	Hose ASM

Ref. No.	Part No.	Qty.	Description
27	99-4216	1	Hose ASM
☆28		1	Gear Pump ASM
28:1	105-0494	1	Hydrostat ASM
28:2	104-7737	1	Gear Pump ASM
28:3	60-3520	1	O-Ring
28:4	3274-1	2	Screw-HSH
28:5	3256-24	2	Washer-Flat
29	99-4217	1	Hose ASM

☆ Not serviced separately



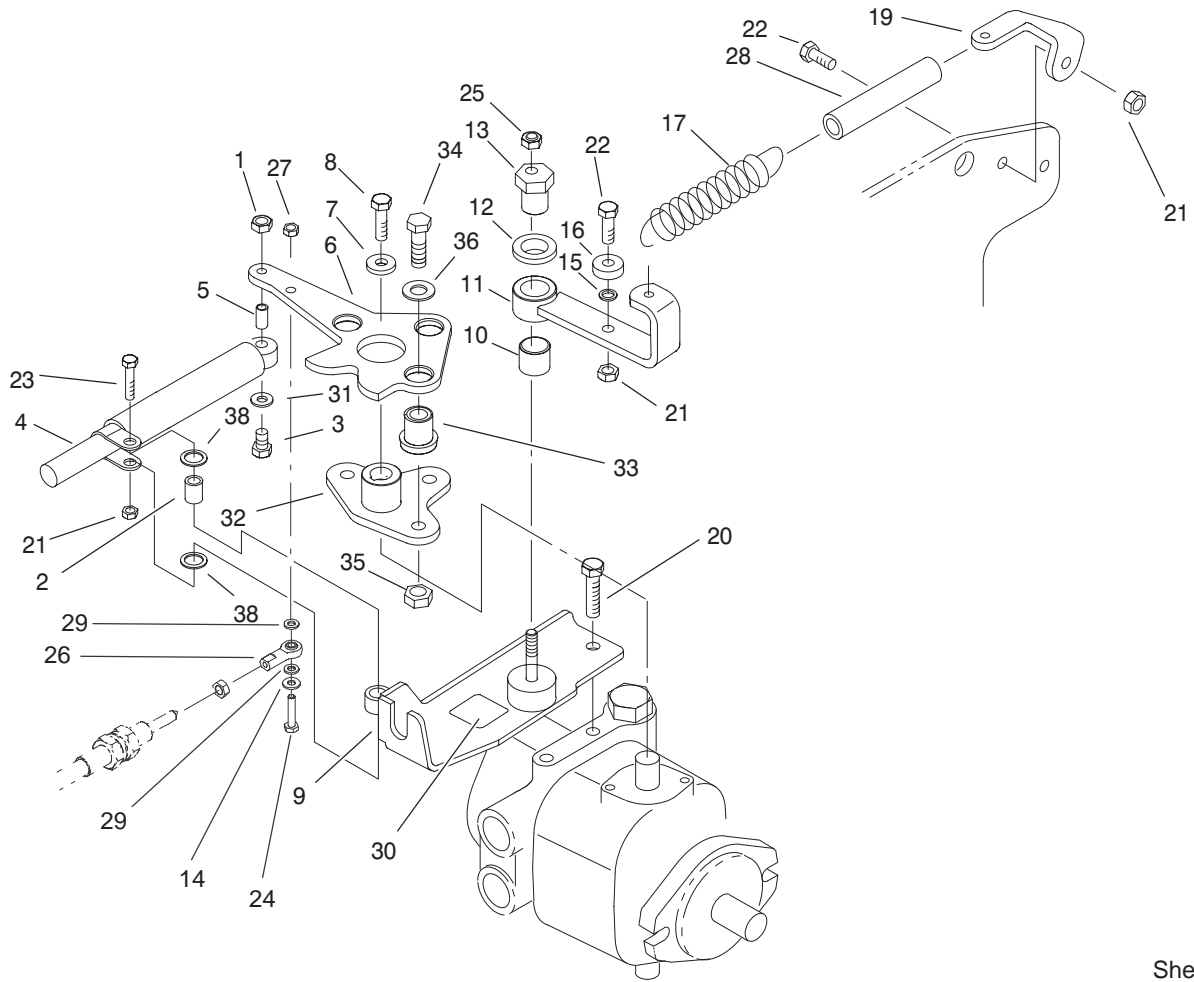
T-2357
Sheet No.:A5

Hydrostat Assembly No. 105-0494

Ref. No.	Part No.	Qty.	Description
1	94-3645	1	Key
2	94-6359	1	Shaft-Drive
3	104-4046	2	Bearing-Cup
4	98-4640	6	Screw-Cap
5	98-4644	1	Plate-Cover
6	105-9762	6	Washer
7	100-3182	2	Shim Kit
8	98-4639	2	Bearing-Cone
9	94-3646	1	Key
10	100-3175	1	Camplate
11	76-6070	1	Rotating Kit
13	100-3180	1	Valve-Plate
15	76-6150	2	Pin-Dowel
16	105-3813	1	Endcover Sub ASM
16:1	94-6368	1	Bearing
☆16:2		1	Pin-Roll
20	105-3812	2	Valve-Check
21	105-3811	1	Valve-Bypass
22	76-6170	2	Capscrew
23	76-6160	2	Capscrew
25	98-4645	1	Plate-Cover
29	100-3176	1	Housing ASM
29:1	94-6363	1	Bearing
31	252-71	2	Washer-Thrust
32	252-66	1	Bearing-Thrust
33	33-3720	1	Washer

Ref. No.	Part No.	Qty.	Description
39	98-4635	1	Insert-Plate, Cam
42	74-9040	1	Coupler
43	105-3844	1	Seal Repair Kit
43:1	100-3179	2	O-Ring
43:2	33-4930	1	Gasket-Housing
43:4	32151-29	2	Ring-Retaining
43:5	104-4861	1	Seal-Shaft
43:6	32151-13	1	Ring-Retaining
☆43:7		1	Ring-Retaining
☆43:8		1	O-Ring
☆43:9		1	O-Ring
☆43:10		1	Seal-Shaft

☆ Not serviced separately

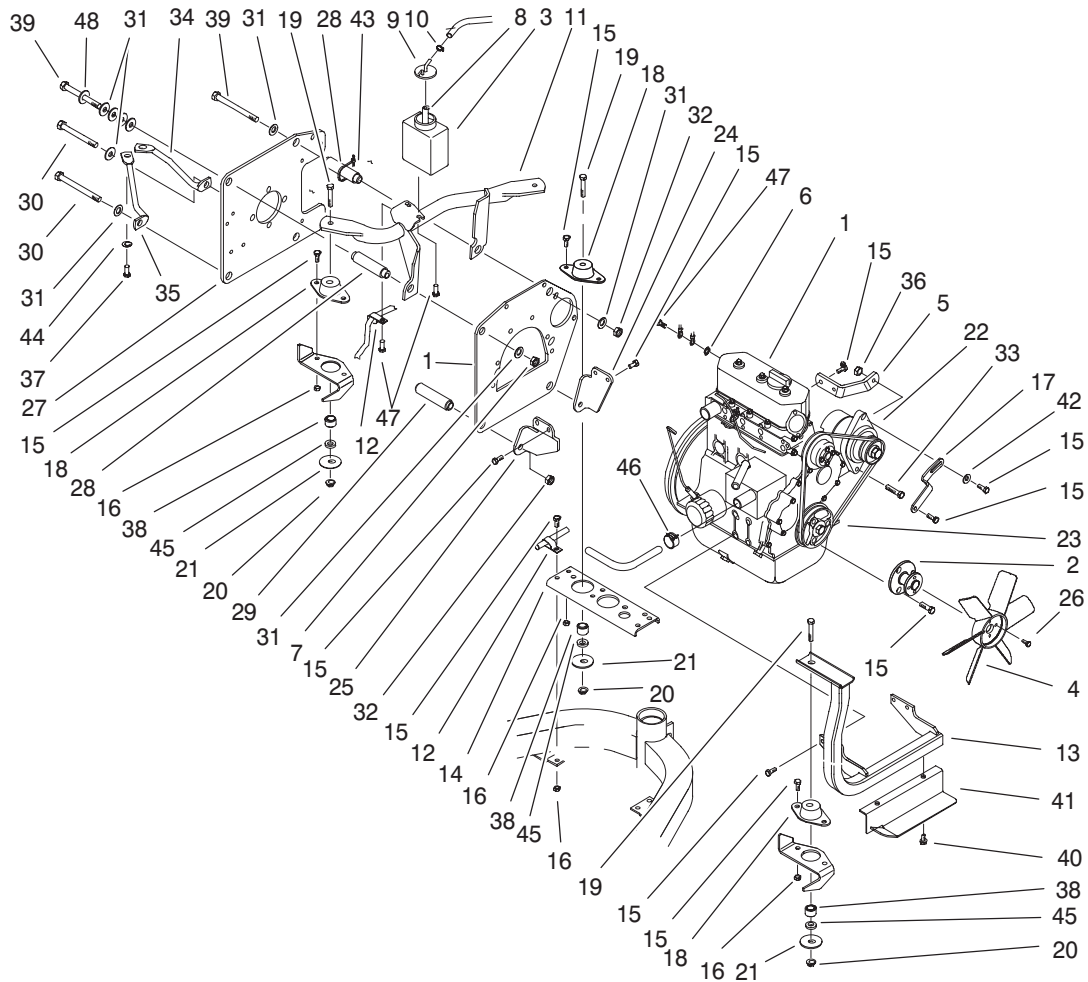


Sheet No.:12

Neutral System Assembly

Ref. No.	Part No.	Qty.	Description
1	33023-00	1	Nut-Lock
2	94-8197	1	Tube-Pivot
3	33113-030	1	Screw-HH
4	76-8870	1	Lever Damper ASM
5	94-1312	1	Spacer-Pivot
6	94-3488-03	1	Lever-Pump
7	88-7200	1	Washer-Flat
8	3210-6	1	Screw-HH
9	100-9846	1	Support-Cable
10	94-9609	1	Bushing-Straight
11	94-4527	1	Arm-Neutral
12	3-6498	1	Washer-Thrust
13	93-2111	1	Stud-Traction
14	3256-22	1	Washer-Flat
15	75-5470	1	Spacer-Bearing
16	251-259	1	Bearing
17	99-4254	1	Spring-Extension
19	99-4276	1	Bracket-Spring
20	323-4	2	Screw-HH
21	33024-00	3	Nut-Lock
22	33114-025	2	Screw-HH
23	33114-030	1	Screw-HH
24	321-8	1	Screw-HH
25	3296-29	1	Nut-Lock, NI
26	2411-41	1	Joint-Ball
27	3296-42	1	Nut-Lock, NI

Ref. No.	Part No.	Qty.	Description
28	99-4251	1	Hose-Dampener
29	33093-00	2	Washer-Flat
30	93-9051	1	Decal-Bolt, Eccentric
31	3256-22	1	Washer-Flat
32	94-3486	1	Plate
33	63-9750	3	Mount
34	33115-035	3	Screw-HH
35	33025-00	3	Nut-Lock
36	2844	3	Washer
38	94-8196	2	Washer-Nylon

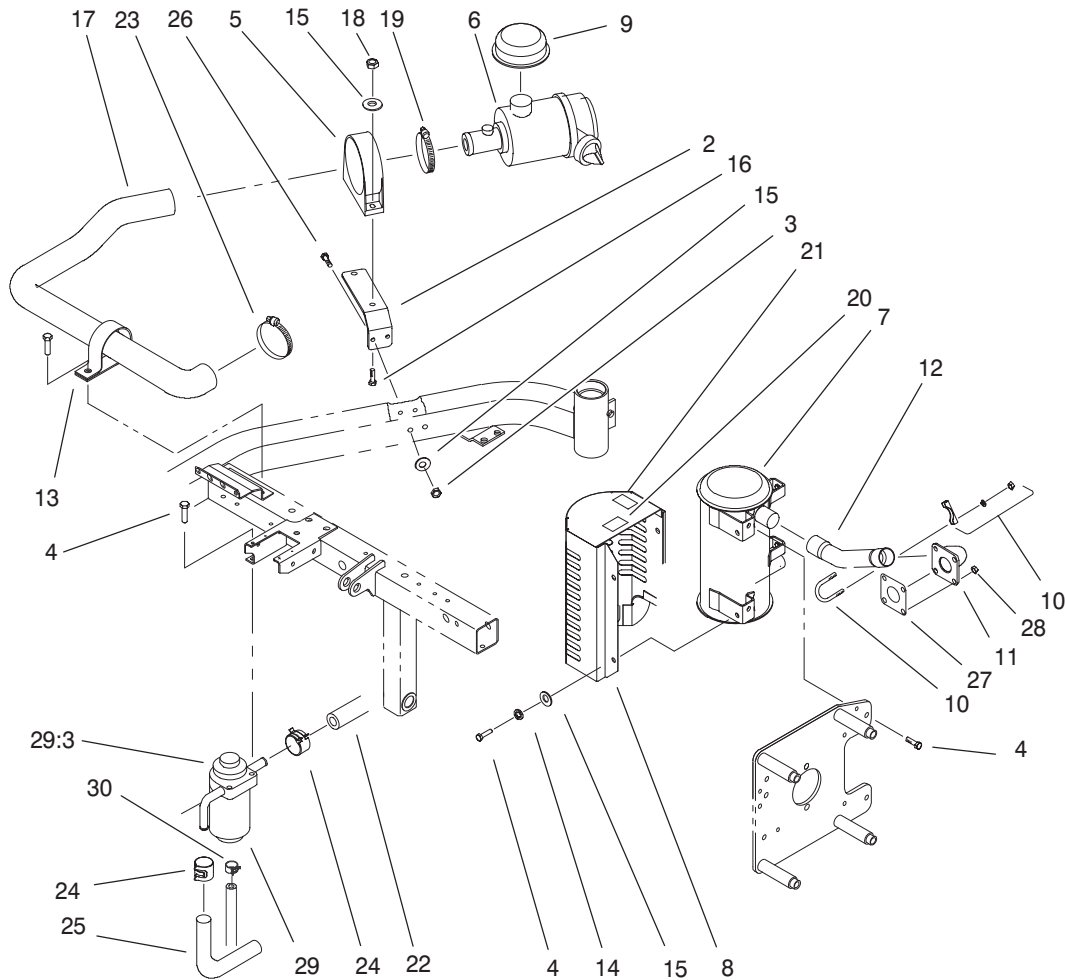


Sheet No.:13

Engine Installation Assembly

Ref. No.	Part No.	Qty.	Description
1	99-1481	1	Engine
2	99-1495	1	Adapter-Fan
3	93-2049	1	Tank-Overflow
4	93-2090	1	Fan-Engine
5	93-2445	1	Bracket-Alternator, Upper
6	3254-2	1	Washer-Lock, Internal
7	51-2070	1	Nut
8	94-1348	1	Hose-Fuel
9	93-2048	1	Cap-Tank, Overflow
10	2412-108	1	Clamp-Worm
11	100-3190-03	1	Engine Mount ASM
12	92-5753	2	Clamp-Hose
13	99-1473-03	1	Mount-Engine, Front
14	93-2020-01	1	Bracket-Support
15	33114-020	26	Screw-HH
16	33024-00	4	Nut-Lock
17	93-2446	1	Bracket-Alternator, Lower
18	83-1030	3	Mount-Engine
19	323-11	3	Screw-HH
20	3290-357	3	Nut-HHF
21	83-1040	3	Washer-Flat
22	99-9209	1	Alternator
23	99-8153	1	Belt-V
24	99-4189-03	1	Bracket-Engine, LH

Ref. No.	Part No.	Qty.	Description
25	99-4188-03	1	Bracket-Engine, RH
26	33113-016	4	Screw-HH
27	99-4190-03	1	Plate-Pump
28	93-2588	2	Spacer-Upper
29	93-2174	2	Spacer
30	33116-130	2	Screw-HH
31	87-7270	9	Washer-Thrust
32	33026-00	3	Nut-Lock
33	33115-050	1	Screw-HH
34	99-4240	1	Brace-Wireform, LH
35	99-4238	1	Brace-Wireform, RH
36	33025-00	1	Nut-Lock
37	323-4	2	Screw-HH
38	94-4538	3	Spacer-Mount
39	33116-120	2	Screw-HH
40	32144-14	2	Screw-HWH
41	94-8156-03	1	Deflector-Fan
42	3256-3	1	Washer-Flat
43	3290-378	2	Tie-Cable
44	3256-24	2	Washer-Flat
45	66-6480	3	Washer
46	92-2379	2	Clamp-Hose
47	33114-016	3	Screw-HH
48	73-0040	1	Washer-Thrust



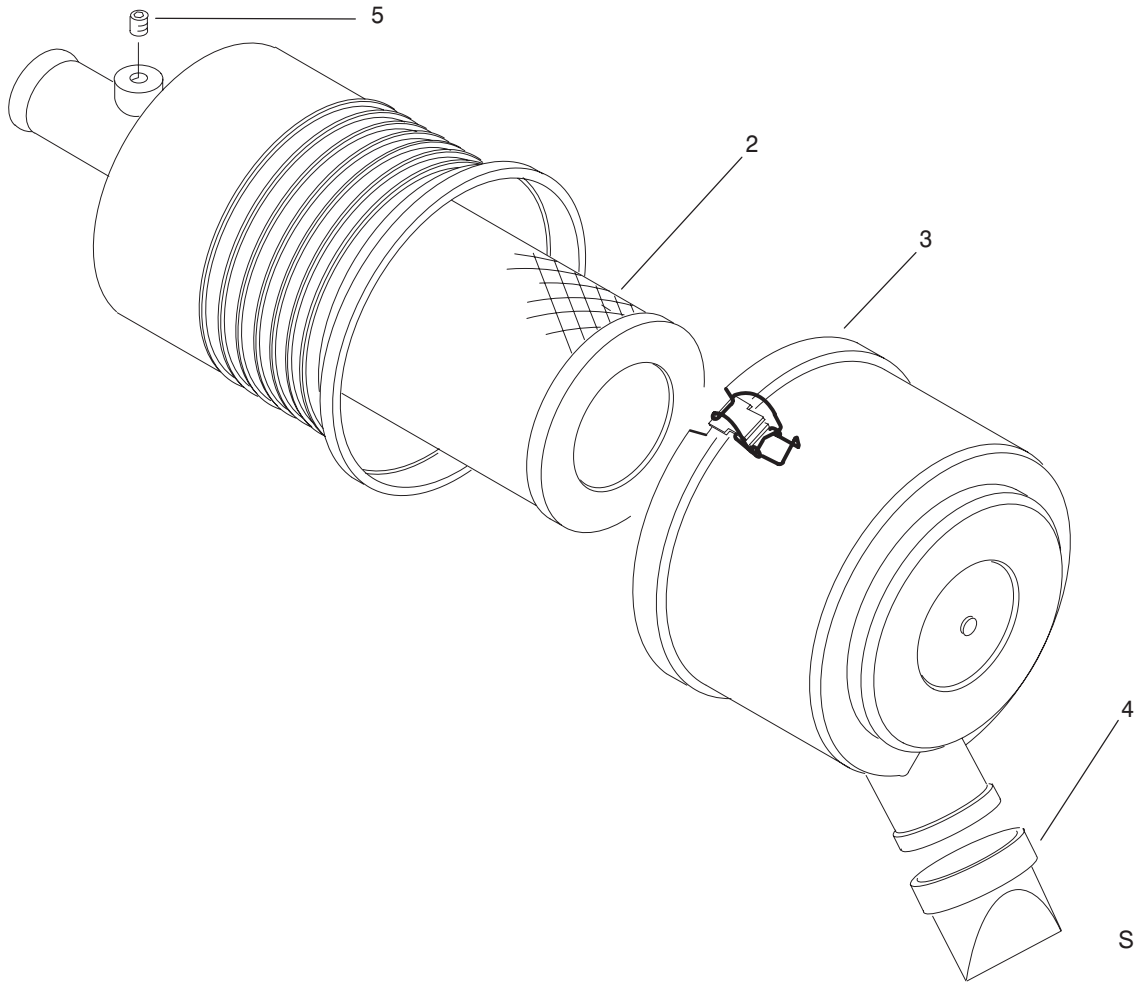
Sheet No.:14

Air Cleaner and Exhaust Assembly

Ref. No.	Part No.	Qty.	Description
2	99-4203	1	Bracket-Cleaner, Air
3	33024-00	2	Nut-Lock
4	33114-020	8	Screw-HH
5	95-5806	1	Bracket-Mounting
6	95-5805	1	Air Cleaner ASM
7	94-8153	1	Muffler
8	94-8182-03	1	Shield-Muffler
9	46-7510	1	Hood-Inlet, Air
10	2112-9	2	Clamp
11	99-1472	1	Plate-Exhaust
12	99-1494	1	Pipe-Exhaust
13	2412-107	1	Clamp-R
14	3253-4	4	Washer-Lock
15	3256-23	4	Washer-Flat
16	322-16	2	Screw-HH
17	99-4204	1	Hose-Cleaner, Air
18	3296-29	2	Nut-Lock, NI
19	2412-92	1	Clamp-Hose
20	93-8069	1	Decal-Surface, Hot
21	93-7275	1	Decal-Fluid, Starting
22	92-9283	1	Hose-Fuel
23	2412-130	1	Clamp-Hose
24	92-2379	2	Clamp-Hose
25	93-5553	1	Hose-Fuel
26	33114-080	2	Screw-HH
27	99-9179	1	Gasket-Exhaust

Ref. No.	Part No.	Qty.	Description
28	99-9176	4	Nut-Hex
29	100-3191	1	Separator-Fuel
*29:1	100-3192	1	Element-Filter, Fuel
*29:2	100-6409	1	Sensor-Filter, Fuel
29:3	100-6408	1	Cover-Filter
30	94-8189	1	Clamp-Hose

* Not illustrated

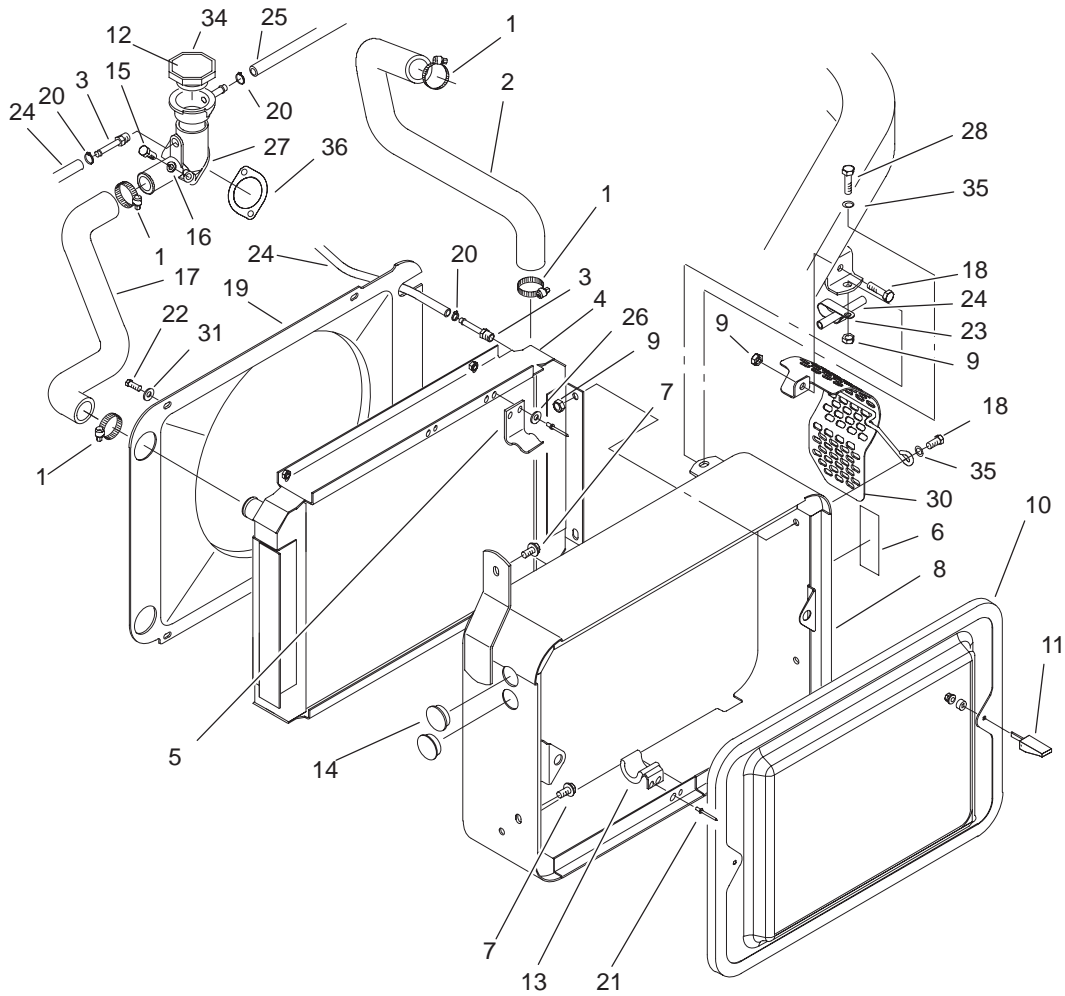


Sheet No.:A8
T-2607

Air Cleaner Assembly No. 95-5805

Ref. No.	Part No.	Qty.	Description
2	93-2195	1	Filter
3	94-3652	1	Cover ASM
4	94-1414	1	Valve-Vacuator
5	285-17	1	Plug-Pipe

Ref. No.	Part No.	Qty.	Description

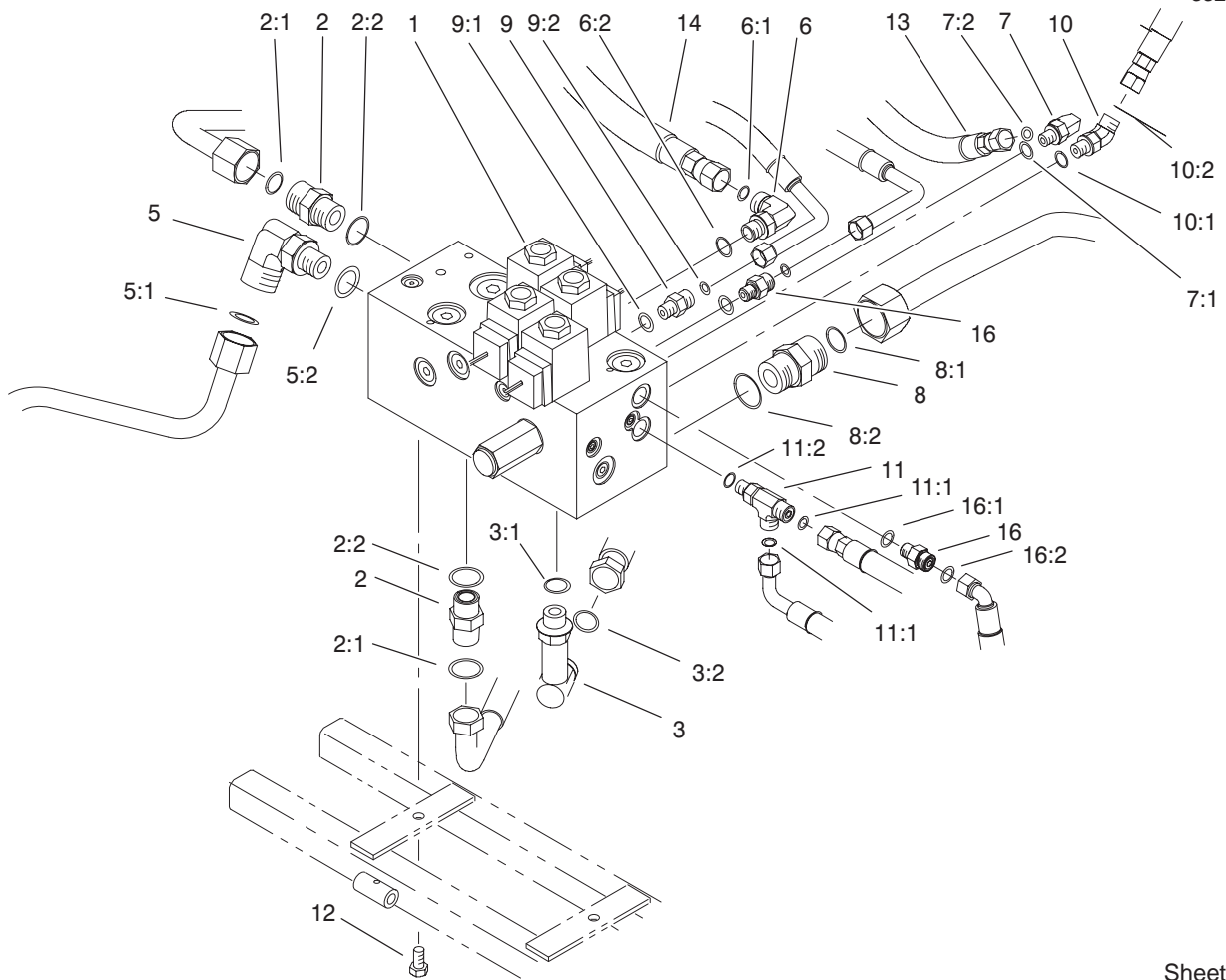


Sheet No.:15

Radiator Assembly

Ref. No.	Part No.	Qty.	Description
1	2412-34	4	Clamp-Hose
2	99-1469	1	Hose-Radiator
3	304-73	2	Connector-Hose
4	99-8193	1	Radiator
5	104-7736	1	Bracket-Cooler, Upper
6	93-6681	1	Decal-Warning, Fan
7	32144-14	2	Screw-HWH
8	100-3163-01	1	Radiator Support ASM
9	33024-00	6	Nut-Lock
10	100-3172-03	1	Screen ASM
11	74-5950	2	Latch-Swell
12	106-5976	1	Decal-Cap, Radiator
13	93-2424	2	Bracket-Cooler, Lower
14	94-4528	2	Plug
15	33113-025	2	Screw-HH
16	3253-3	2	Washer-Lock
17	93-2018	1	Hose-Radiator
18	33114-020	5	Screw-HH
19	93-2320	1	Shroud-Fan
20	2412-108	3	Clamp-Worm
21	3269-15	6	Rivet
22	33113-016	4	Screw-HH
23	92-5753	1	Clamp-Hose
24	27-4480	1	Hose-Fuel
25	92-9283	1	Hose-Fuel
26	3269-6	2	Washer

Ref. No.	Part No.	Qty.	Description
27	93-2448	1	Thermostat Housing ASM
28	33114-025	1	Screw-HH
30	100-3164-03	1	Guard-Alternator
31	3256-22	4	Washer-Flat
34	66-3240	1	Cap-Radiator
35	3256-23	2	Washer-Flat
36	99-9163	1	Gasket-Outlet

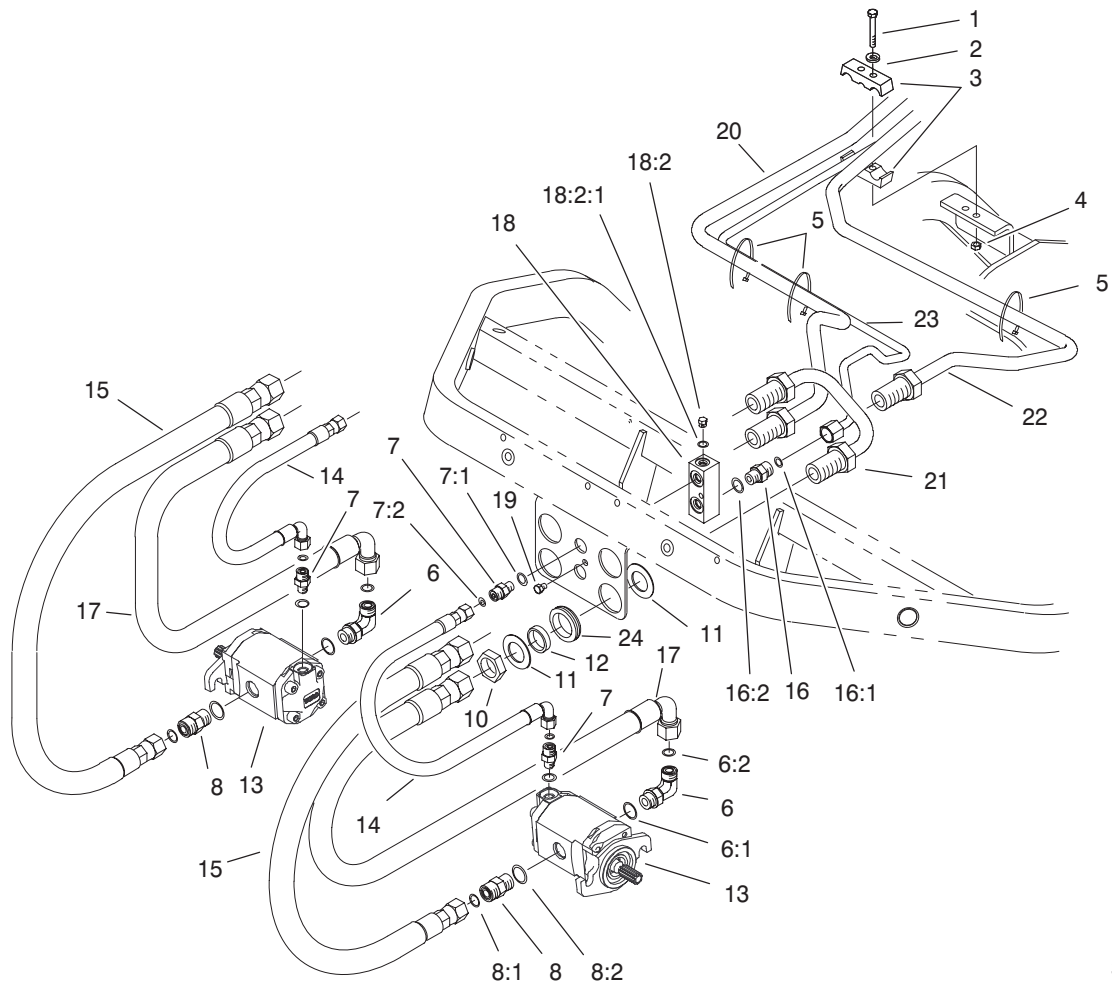


Sheet No.:16

Manifold Block Installation Assembly

Ref. No.	Part No.	Qty.	Description
1	93-2240	1	Manifold-Mow/Lift, Basic
2	340-7	2	Adapter
2:1	237-65	1	O-Ring
2:2	237-80	1	O-Ring
3	99-4214	1	Fitting-Hydraulic
3:1	237-79	1	O-Ring
3:2	237-30	1	O-Ring
5	340-17	1	Fitting-HYD, 90°
5:1	237-65	1	O-Ring
5:2	237-80	1	O-Ring
6	340-77	1	Fitting-HYD, 90°
6:1	237-22	1	O-Ring
6:2	237-42	1	O-Ring
7	340-132	1	Fitting-HYD, 90°
7:1	237-78	1	O-Ring
7:2	237-21	1	O-Ring
8	340-9	1	Fitting-Straight
8:1	237-58	1	O-Ring
8:2	237-81	1	O-Ring
9	340-92	1	Fitting-HYD, Straight
9:1	237-78	1	O-Ring
9:2	237-21	1	O-Ring
10	340-103	1	Fitting-HYD, 45°
10:1	237-78	1	O-Ring
10:2	237-21	1	O-Ring

Ref. No.	Part No.	Qty.	Description
11	340-140	1	Adapter-Tee
11:1	237-21	2	O-Ring
11:2	237-78	1	O-Ring
12	33114-016	2	Screw-HH
13	93-2271	1	Hydraulic Hose ASM
14	105-9790	1	Hose ASM
16	95-1639	2	Fitting-HYD
16:1	237-78	1	O-Ring
16:2	237-21	1	O-Ring

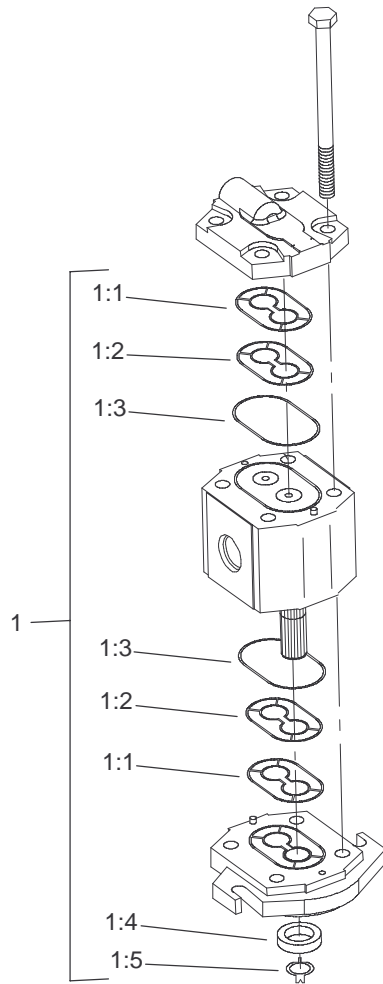


Sheet No.:17

Front Bulkhead and Reel Motor Assembly

Ref. No.	Part No.	Qty.	Description
1	33113-050	2	Screw-HH
2	3256-1	2	Washer-Flat
3	93-2509	2	Clamp-Tube
4	33023-00	2	Nut-Lock
5	3290-378	3	Tie-Cable
6	340-98	2	Fitting-HYD, 90°
6:1	237-79	1	O-Ring
6:2	237-30	1	O-Ring
7	340-92	4	Fitting-HYD, Straight
7:1	237-78	1	O-Ring
7:2	237-21	1	O-Ring
8	340-4	2	Adapter
8:1	237-30	1	O-Ring
8:2	237-79	1	O-Ring
10	340-74	2	Locknut-Bulkhead
11	69-9010	4	Washer
12	69-9000	2	Spacer
13	100-6426	2	HYD Motor ASM
14	93-2264	2	Hydraulic Hose ASM
15	95-2908	2	Hose ASM
16	340-2	1	Fitting-Straight, HYD
16:1	237-22	1	O-Ring
16:2	237-42	1	O-Ring
17	95-2909	2	Hose ASM
18	93-2238	1	T-Block
18:2	353-991	1	Plug-Hex, Hollow

Ref. No.	Part No.	Qty.	Description
18:2:1	237-156	1	O-Ring
19	33113-008	1	Screw-HH
20	94-1318	1	Tube-Hydraulic
21	94-1319	1	Tube-HYD
22	94-1320	1	Tube-Hydraulic
23	94-1321	1	Tube-Hydraulic
24	240-3	2	Grommet-Rubber



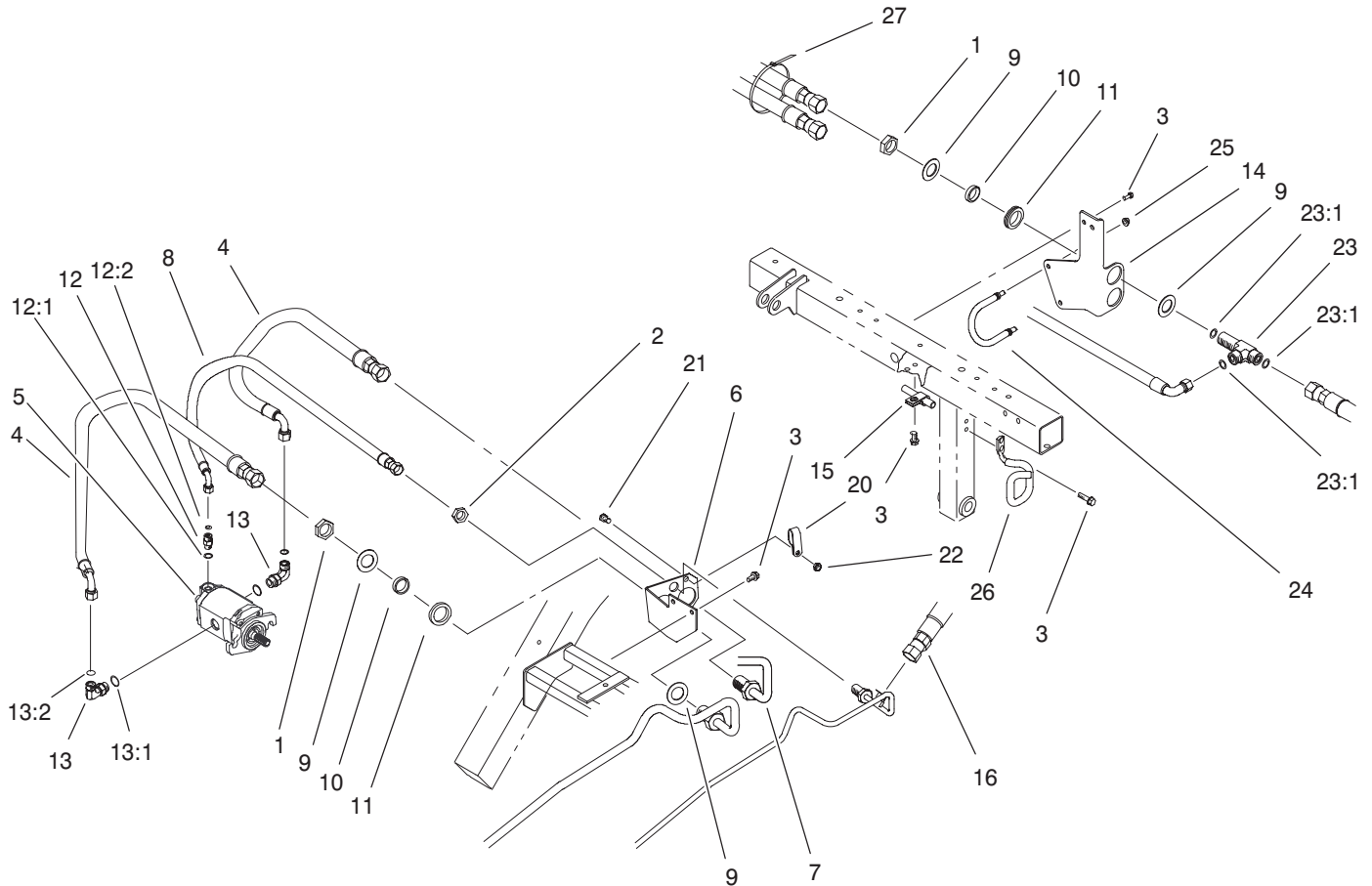
Sheet No.:B1

Reel Motor Assembly No. 100-6426

Ref. No.	Part No.	Qty.	Description
1	105-9758	1	Seal Kit
☆1:1		2	Seal-Extrusion, Anti
☆1:2		2	Seal-Pressure
☆1:3		2	O-Ring
☆1:4		1	Seal-Shaft
☆1:5		1	Washer-Backup

Ref. No.	Part No.	Qty.	Description

☆ Not serviced separately

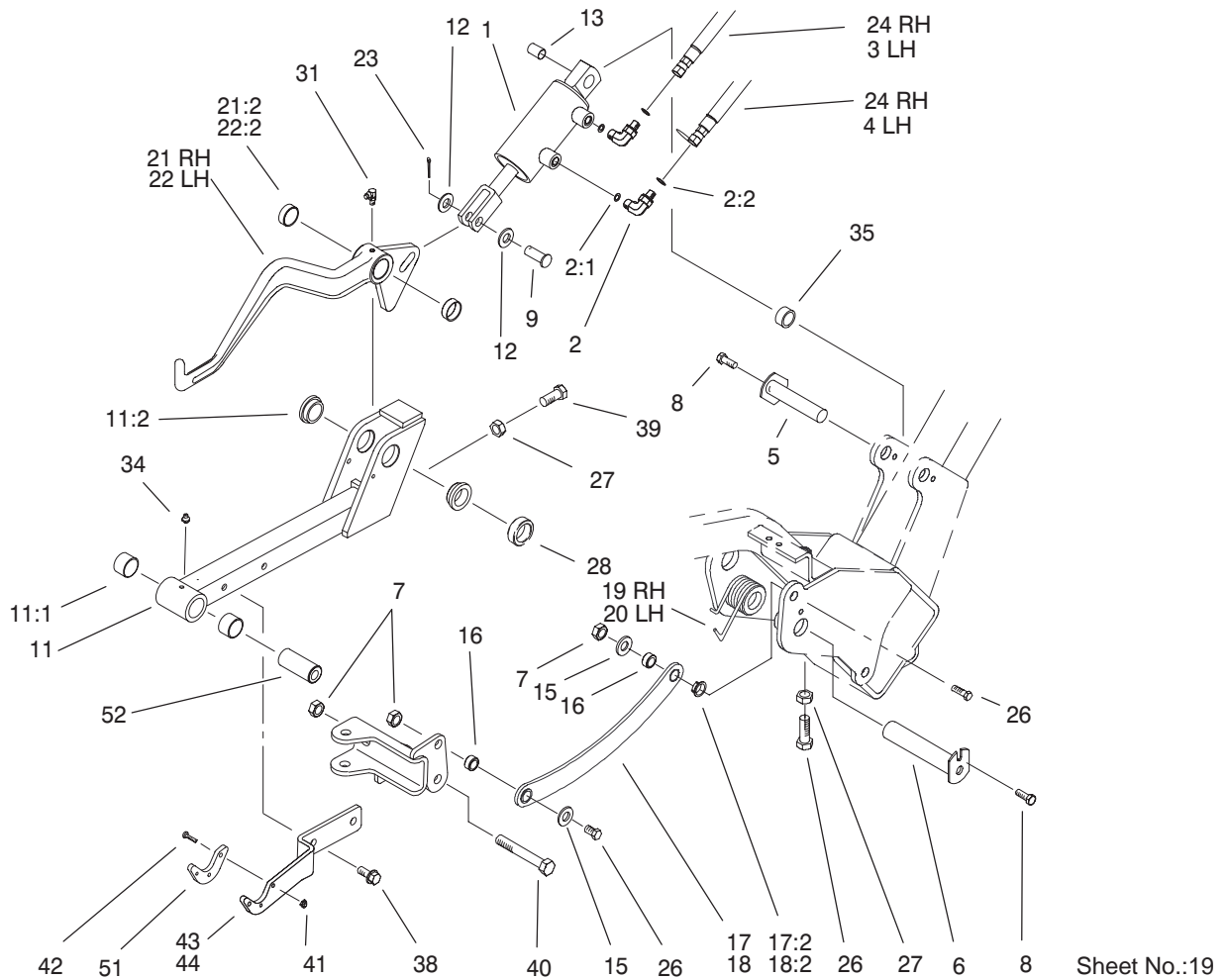


Sheet No.:18

Rear Bulkhead and Reel Motor Assembly

Ref. No.	Part No.	Qty.	Description
1	340-74	4	Locknut-Bulkhead
2	340-70	1	Nut-Lock
3	32144-14	7	Screw-HWH
4	95-2907	2	Hose ASM
5	100-6426	1	HYD Motor ASM
6	94-1316	1	Bracket-Bulkhead
7	94-1317	1	Tube-Hydraulic
8	94-1328	1	Hose ASM
9	69-9010	8	Washer
10	69-9000	4	Spacer
11	240-3	4	Grommet-Rubber
12	340-92	1	Fitting-HYD, Straight
12:1	237-78	1	O-Ring
12:2	237-21	1	O-Ring
13	340-98	2	Fitting-HYD, 90°
13:1	237-79	1	O-Ring
13:2	237-30	1	O-Ring
14	99-4222-03	1	Bracket-Hose
15	2412-4	1	Clamp
16	94-4539	1	Hose ASM
20	2412-137	1	Clamp-Tube
21	33114-020	1	Screw-HH
22	33024-00	1	Nut-Lock
23	94-5350	2	Tee-Bulkhead
23:1	237-65	3	O-Ring
24	99-4221	1	Retainer-Hose

Ref. No.	Part No.	Qty.	Description
25	3296-29	2	Nut-Lock, NI
26	94-5352	1	Retainer-Hose
27	3290-378	1	Tie-Cable

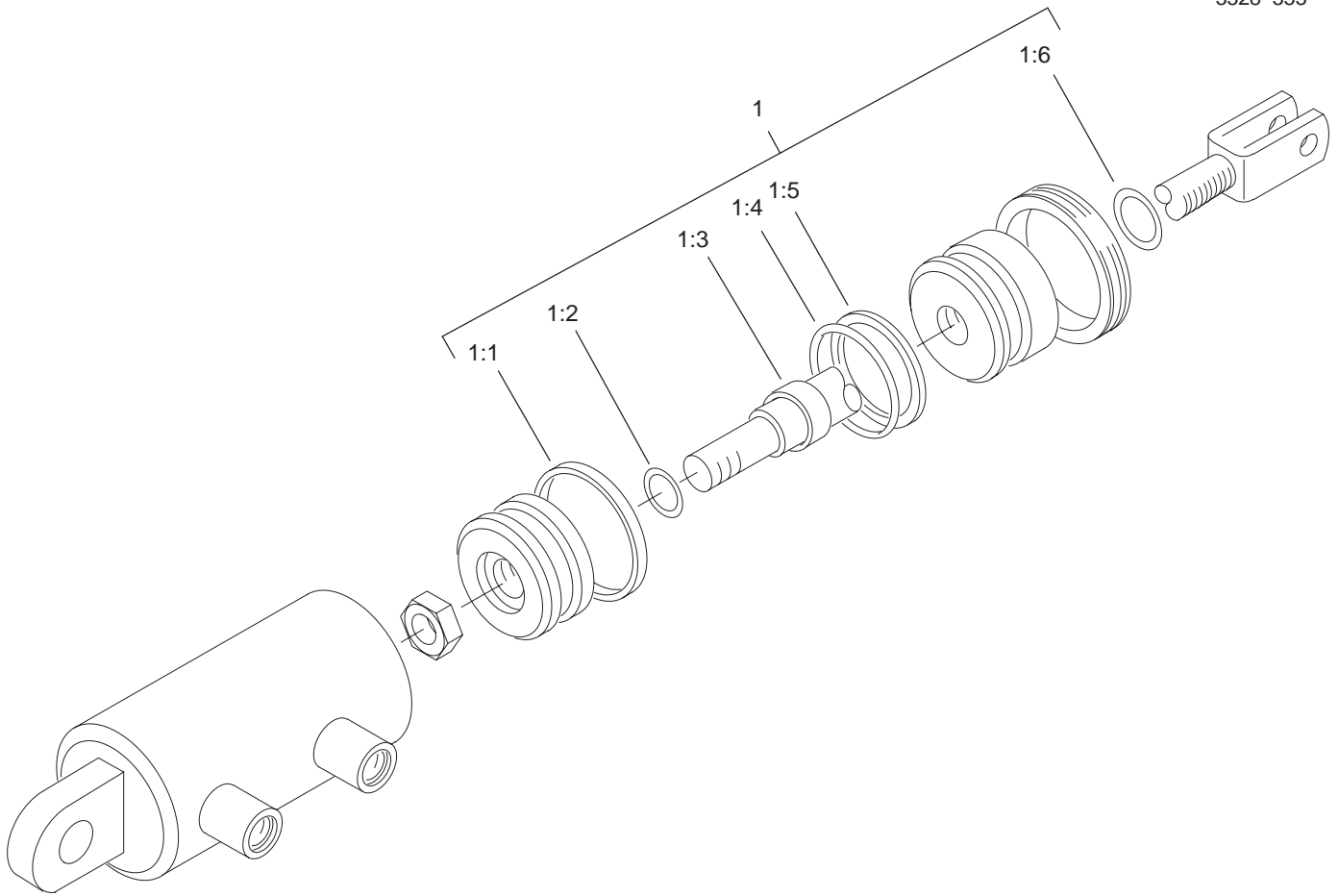


Sheet No.:19

LH and RH Lift Arm Assembly

Ref. No.	Part No.	Qty.	Description
1	105-3821	2	Hydraulic Cylinder ASM
2	340-132	4	Fitting-HYD, 90°
2:1	237-78	1	O-Ring
2:2	237-21	1	O-Ring
3	93-2255	1	Hydraulic Hose ASM
4	93-2256	1	Hydraulic Hose ASM
5	10-6060	2	Pin-Pivot, Ram
6	94-8198	2	Pin
7	3296-25	6	Nut-Lock, NI
8	32144-14	4	Screw-HWH
9	283-68	2	Pin-Clevis
11	99-4115	2	Front Lift Frame ASM
11:1	98-4166	2	Bushing
11:2	94-9610	2	Bushing-Flange
12	33096-00	4	Washer-Flat
13	105-3838	2	Spacer
15	3256-26	4	Washer-Flat
16	99-4201	4	Tube-Spacer
17	99-4258	1	RH Link Bracket ASM
17:2	99-4243	2	Bushing-Flange
18	99-4260	1	LH Link Bracket ASM
18:2	99-4243	2	Bushing-Flange
19	105-3809	1	Spring-Torsion, RH
20	105-3818	1	Spring-Torsion, LH
21	99-4213	1	RH Lift Arm ASM

Ref. No.	Part No.	Qty.	Description
21:2	92-8995	2	Bushing
22	99-4212	1	LH Lift Arm ASM
22:2	92-8995	2	Bushing
23	3272-11	2	Pin-Cotter
24	93-2254	2	Hydraulic Hose ASM
26	325-6	5	Screw-HH
27	3218-5	3	Nut-Jam
28	93-2384	2	Spacer-Carrier
31	302-60	2	Fitting-Grease
34	302-5	2	Fitting-Grease
35	74-3730	2	Spacer-Spindle, Rear
38	32144-69	4	Screw-HH
39	325-4	2	Screw-HH
40	325-14	2	Screw-HH
41	3296-54	6	Nut-Lock NI
42	3250-17	6	Screw-PPH
43	99-4111-01	1	Plate-Transport, #1 And #3
44	99-4112-01	1	Plate-Transport, #2
51	99-4225	2	Pad-Wear
52	99-4072	2	Spacer-Frame, Pull



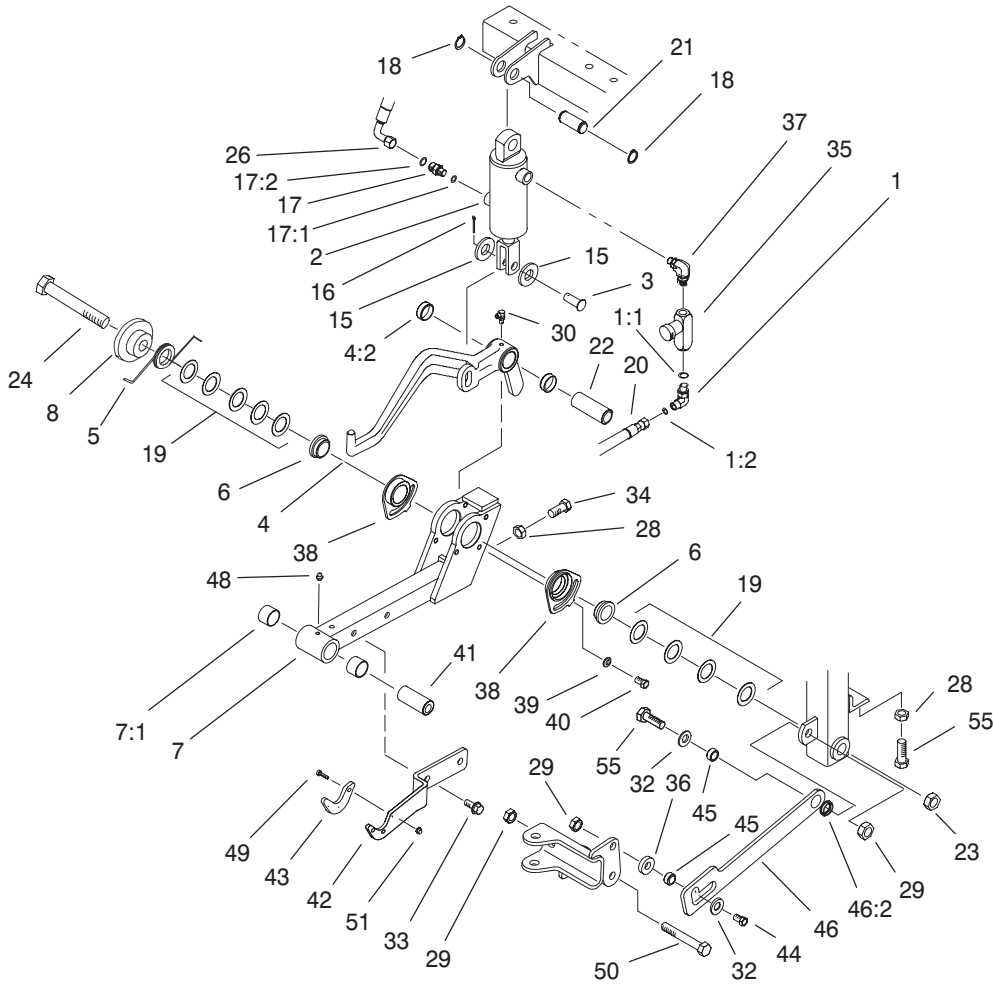
T-3724
Sheet No.:B2

Hydraulic Cylinder Assembly No. 105-3821

Ref. No.	Part No.	Qty.	Description
1	105-3836	1	Seal Kit
☆1:1		1	T-Seal
☆1:2		1	O-Ring
☆1:3		1	Seal-Rod
☆1:4		1	O-Ring
☆1:5		1	Backup
☆1:6		1	Seal-Dust

Ref. No.	Part No.	Qty.	Description

☆ Not serviced separately

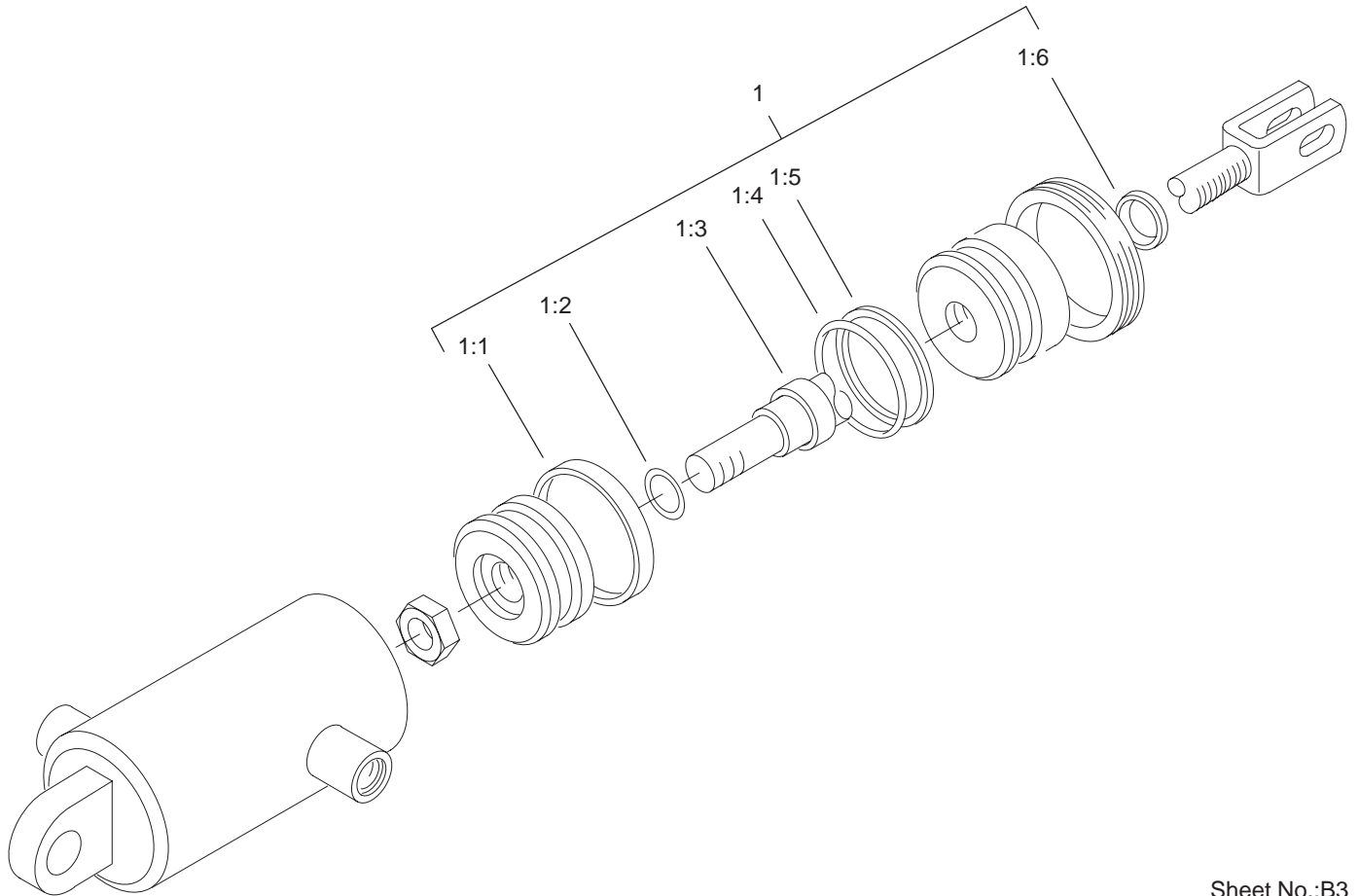


Sheet No.:20

Center Lift Arm Assembly

Ref. No.	Part No.	Qty.	Description
1	340-132	1	Fitting-HYD, 90°
1:1	237-78	1	O-Ring
1:2	237-21	1	O-Ring
2	105-3820	1	Hydraulic Cylinder ASM
3	283-68	1	Pin-Clevis
4	99-4126	1	Center Lift Arm ASM
4:2	92-8995	2	Bushing
5	105-9781	1	Spring-Torsion
6	98-2197	2	Bushing-Flange
7	99-4116	1	Rear Lift Frame ASM
7:1	98-4166	2	Bushing
8	105-9779	1	Guide-Spring
15	33096-00	2	Washer-Flat
16	3272-11	1	Pin-Cotter
17	95-1639	1	Fitting-HYD
17:1	237-78	1	O-Ring
17:2	237-21	1	O-Ring
18	32120-72	2	Ring-Snap
19	63-2290	9	Washer-Thrust
20	93-2258	1	Hydraulic Hose ASM
21	94-3452	1	Pin
22	94-8199	1	Tube-Pivot
23	3296-53	1	Nut-Lock, NI
24	327-25	1	Screw-HH
26	94-3477	1	Hydraulic Hose ASM

Ref. No.	Part No.	Qty.	Description
28	3218-5	2	Nut-Jam
29	3296-25	3	Nut-Lock, NI
30	302-60	1	Fitting-Grease
32	3256-26	2	Washer-Flat
33	32144-69	2	Screw-HH
34	325-5	1	Screw-HH
35	93-7489	1	Orifice Valve ASM
36	99-4248	1	Spacer
37	95-2927	1	Fitting-Elbow
37:1	237-78	2	O-Ring
38	98-4618	2	Bushing-Eccentric
39	3256-74	2	Washer-Flat
40	33114-016	2	Screw-HH
41	99-4072	1	Spacer-Frame, Pull
42	99-4111-01	1	Plate-Transport, #1 And #3
43	99-4225	1	Pad-Wear
44	325-7	1	Screw-HH
45	99-4201	2	Tube-Spacer
46	99-4246	1	Link Bracket ASM
46:2	99-4243	1	Bushing-Flange
48	302-5	1	Fitting-Grease
49	3250-17	3	Screw-PPH
50	325-14	1	Screw-HH
51	3296-54	3	Nut-Lock NI
55	325-6	2	Screw-HH



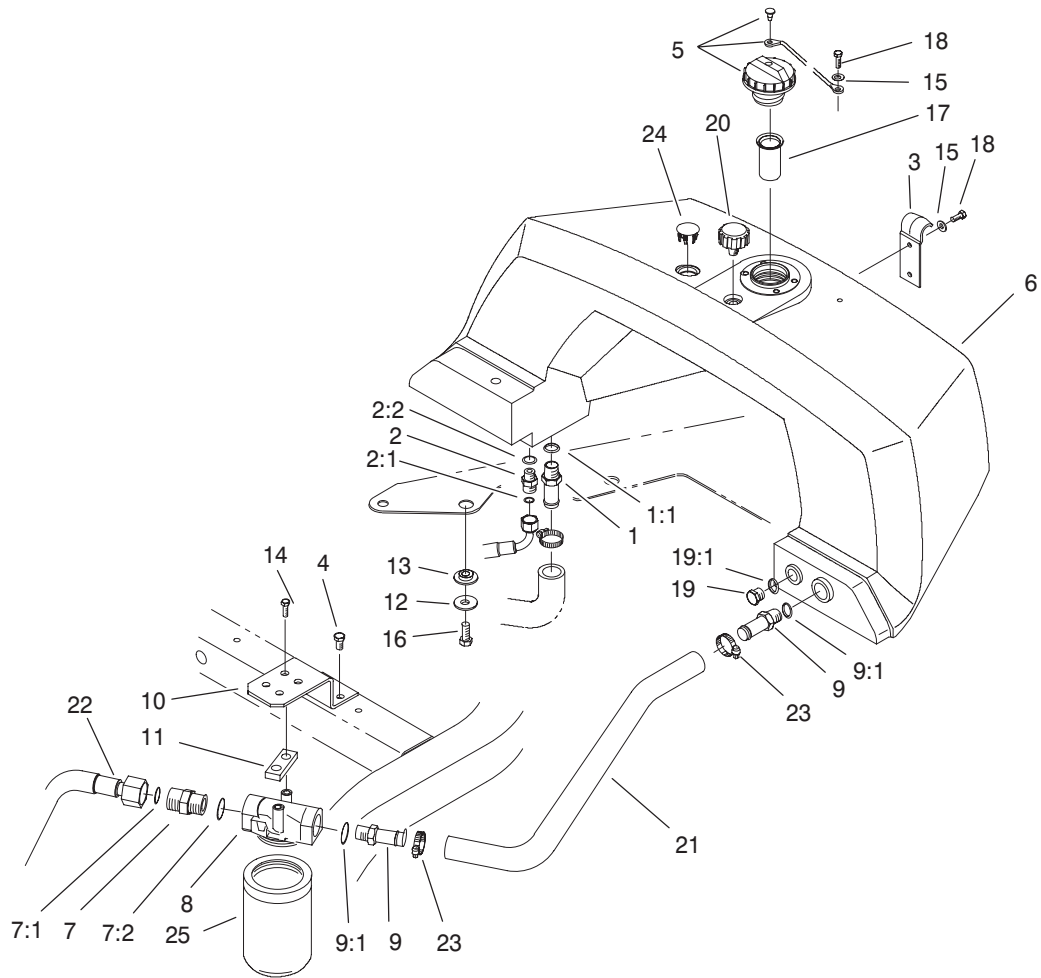
Sheet No.:B3
T-3727

Hydraulic Cylinder Assembly No. 105-3820

Ref. No.	Part No.	Qty.	Description
1	105-3836	1	Seal Kit
☆1:1		1	T-Seal
☆1:2		1	O-Ring
☆1:3		1	Seal-Rod
☆1:4		1	O-Ring
☆1:5		1	Backup
☆1:6		1	Seal-Dust

Ref. No.	Part No.	Qty.	Description

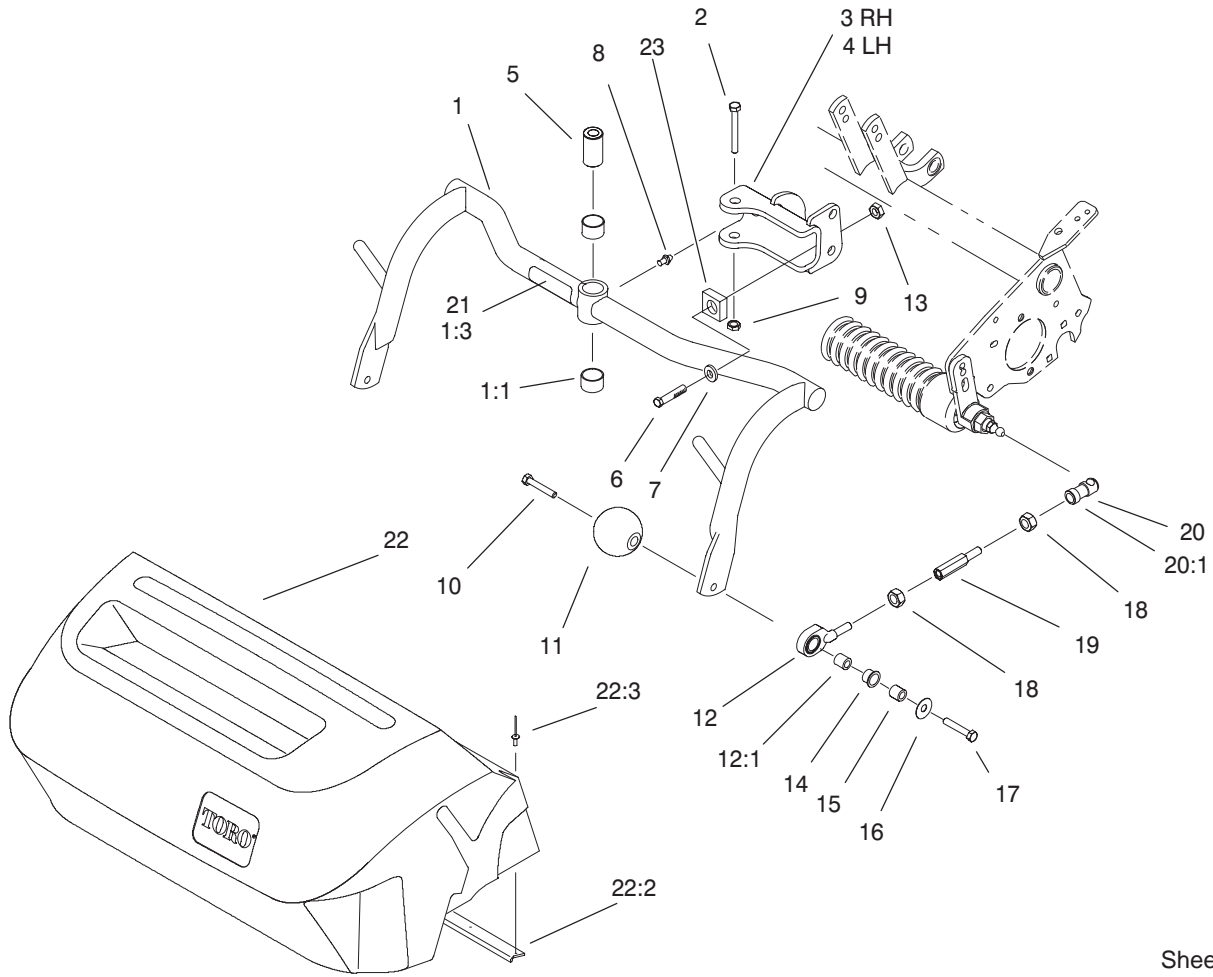
☆ Not serviced separately



Sheet No.:22

Hydraulic Tank and Filter Assembly

Ref. No.	Part No.	Qty.	Description	Ref. No.	Part No.	Qty.	Description
1	354-78	1	Connector-Hose	19:1	237-79	1	O-Ring
1:1	237-146	1	O-Ring	20	68-6150	1	Breather-Air
2	340-2	1	Fitting-Straight, HYD	21	94-9607	1	Hose-Return
2:1	237-22	1	O-Ring	22	94-4518	1	Tube ASM
2:2	237-42	1	O-Ring	23	2412-129	2	Clamp-Hose
3	93-2438	1	Clamp-Tank, Fuel	24	93-2437	1	Plug-Serrated
4	32144-14	2	Screw-HWH	25	105-0438	1	Element-Filter
5	93-7160	1	Cap-Oil, HYD				
6	93-2235	1	Tank-Hydraulic				
7	340-9	1	Fitting-Straight				
7:1	237-58	1	O-Ring				
7:2	237-81	1	O-Ring				
8	92-5821	1	Filter Head ASM				
9	354-73	2	Fitting				
9:1	237-81	1	O-Ring				
10	105-9793-03	1	Mount-Oil Filter				
11	105-4309	1	Plate-Filter				
12	93-4637	4	Washer-Flat				
13	240-11	4	Grommet-Mount, Tank				
14	321-6	2	Screw-HH				
15	3256-1	3	Washer-Flat				
16	33115-020	4	Screw-HH				
17	93-2275	1	Screen-Filler				
18	33113-016	3	Screw-HH				
19	353-988	1	Plug-Hex, Hollow				



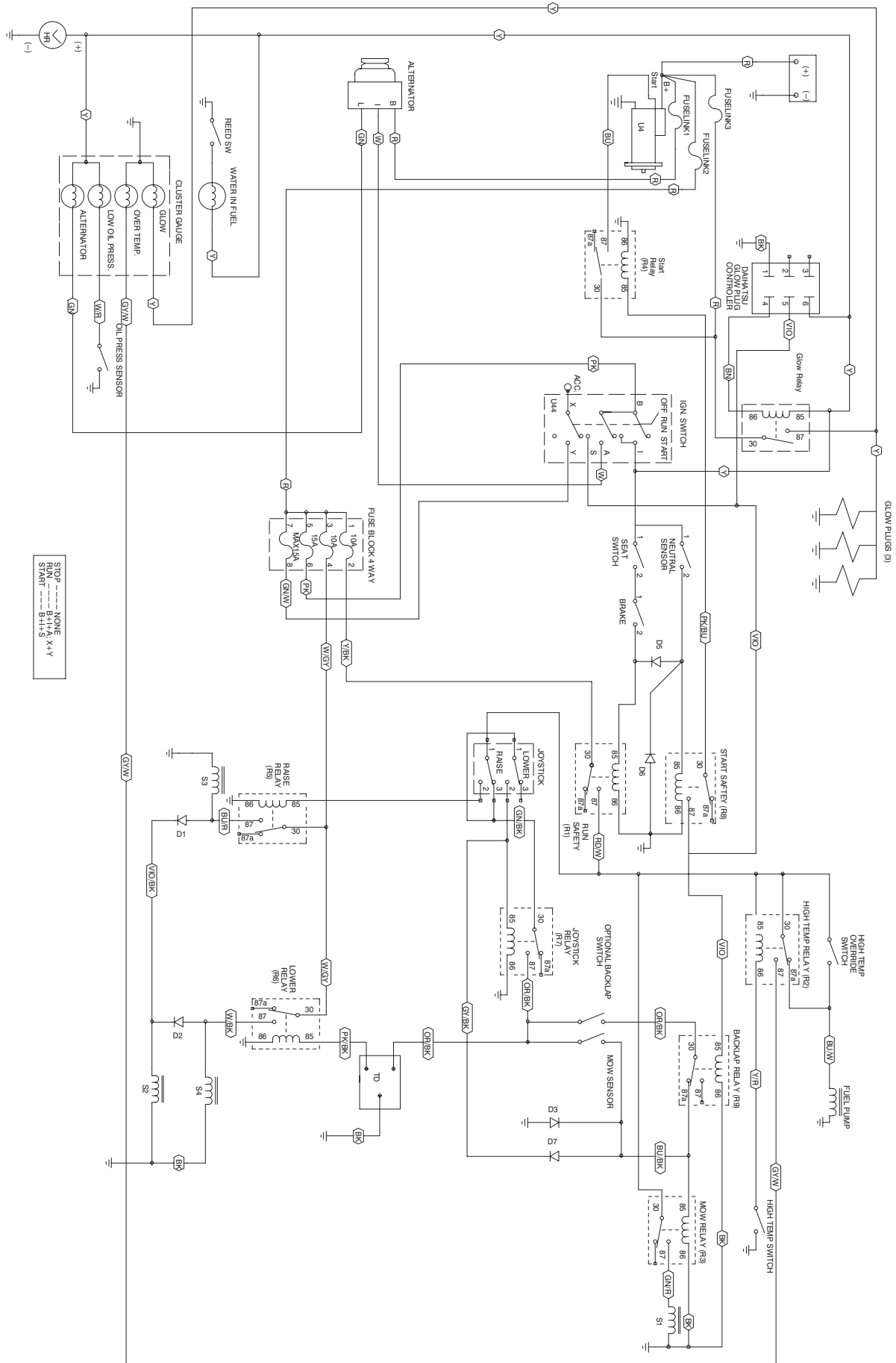
Sheet No.:30

Center Pull Frame Assembly

Ref. No.	Part No.	Qty.	Description
1	99-4114	3	Pull Frame ASM\
1:1	98-4166	2	Bushing
1:3	104-7728	1	Decal-Danger
2	325-13	3	Screw-HH
3	99-4183-01	2	RH Clevis ASM
4	99-4182-01	1	LH Clevis ASM
5	99-4109	3	Spacer-Pivot
6	78-8710	3	Screw
7	3256-77	3	Washer-Flat
8	302-5	3	Fitting-Grease
9	3296-25	3	Nut-Lock, NI
10	99-4209	6	Shaft-Roller
11	99-4210	6	Roller-Anti Scalp
12	100-6440	6	Pull Link And Bushing ASM
12:1	95-0532	1	Rubber Bushing ASM
13	3296-12	3	Nut-Lock
14	104-7738	6	Bushing-Flange
15	75-5270	6	Spacer-Knob, Seat
16	80-6990	6	Washer-Hardened
17	323-8	6	Screw-HH
18	3220-3	12	Nut-Jam
19	88-6870	6	Extension-Arm, Pull
20	99-1460	6	Ball Joint Receiver ASM
20:1	99-1461	1	Sleeve-Joint, Ball

Ref. No.	Part No.	Qty.	Description
21	104-7729	3	Decal-Danger (Europe)
22	104-2071	3	Basket ASM
22:2	104-2607	1	Strip-Basket
22:3	3290-382	8	Rivet-Pop
23	94-1392	3	Pad-Rubber

Electrical Schematic

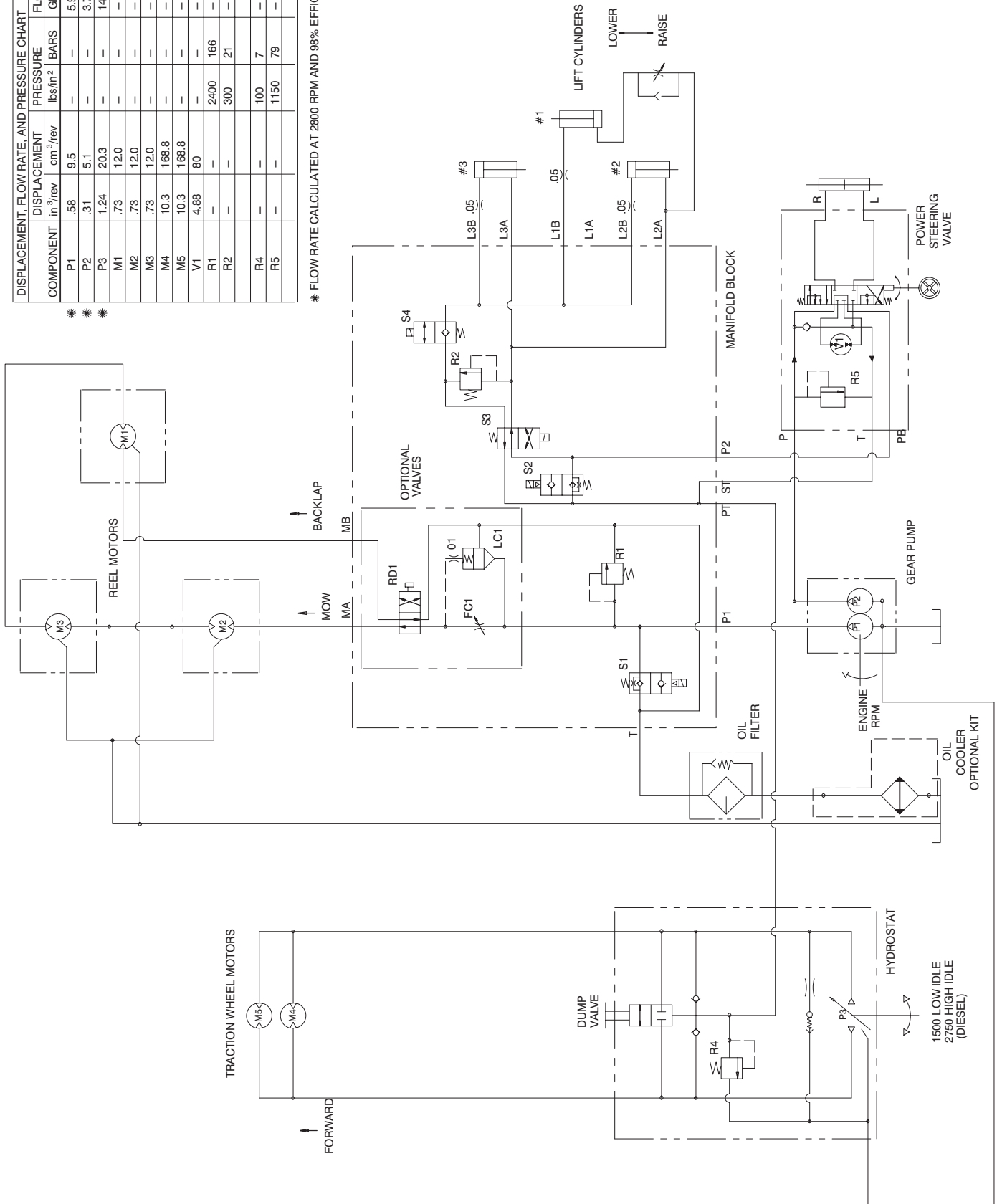


Hydraulic Schematic

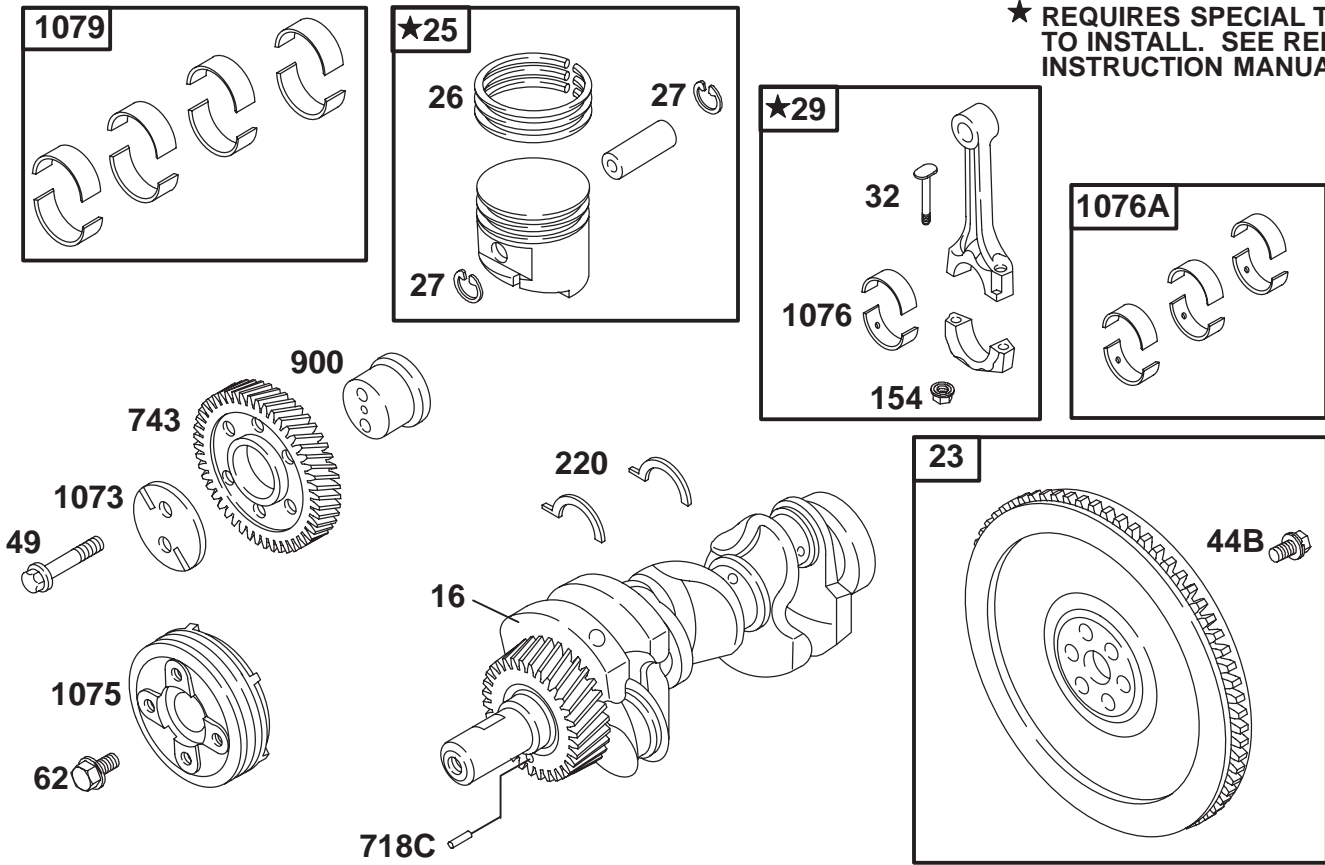
DISPLACEMENT, FLOW RATE, AND PRESSURE CHART						
COMPONENT	DISPLACEMENT		PRESSURE		FLOW RATE	
	in ³ /rev	cm ³ /rev	lbs/in ²	BARS	GPM	LPM
P1	.58	9.5	—	—	5.9	28.1
P2	.31	5.1	—	—	3.7	13.9
P3	1.24	20.3	—	—	14.8	55.8
M1	.73	12.0	—	—	—	—
M2	.73	12.0	—	—	—	—
M3	.73	12.0	—	—	—	—
M4	10.3	168.8	—	—	—	—
M5	10.3	168.8	—	—	—	—
V1	4.88	80	—	—	—	—
R1	—	—	2400	166	—	—
R2	—	—	300	21	—	—
R4	—	—	100	7	—	—
R5	—	—	1150	79	—	—

* * *

* FLOW RATE CALCULATED AT 2800 RPM AND 98% EFFICIENCY



★ REQUIRES SPECIAL TOOLS TO INSTALL. SEE REPAIR INSTRUCTION MANUAL.

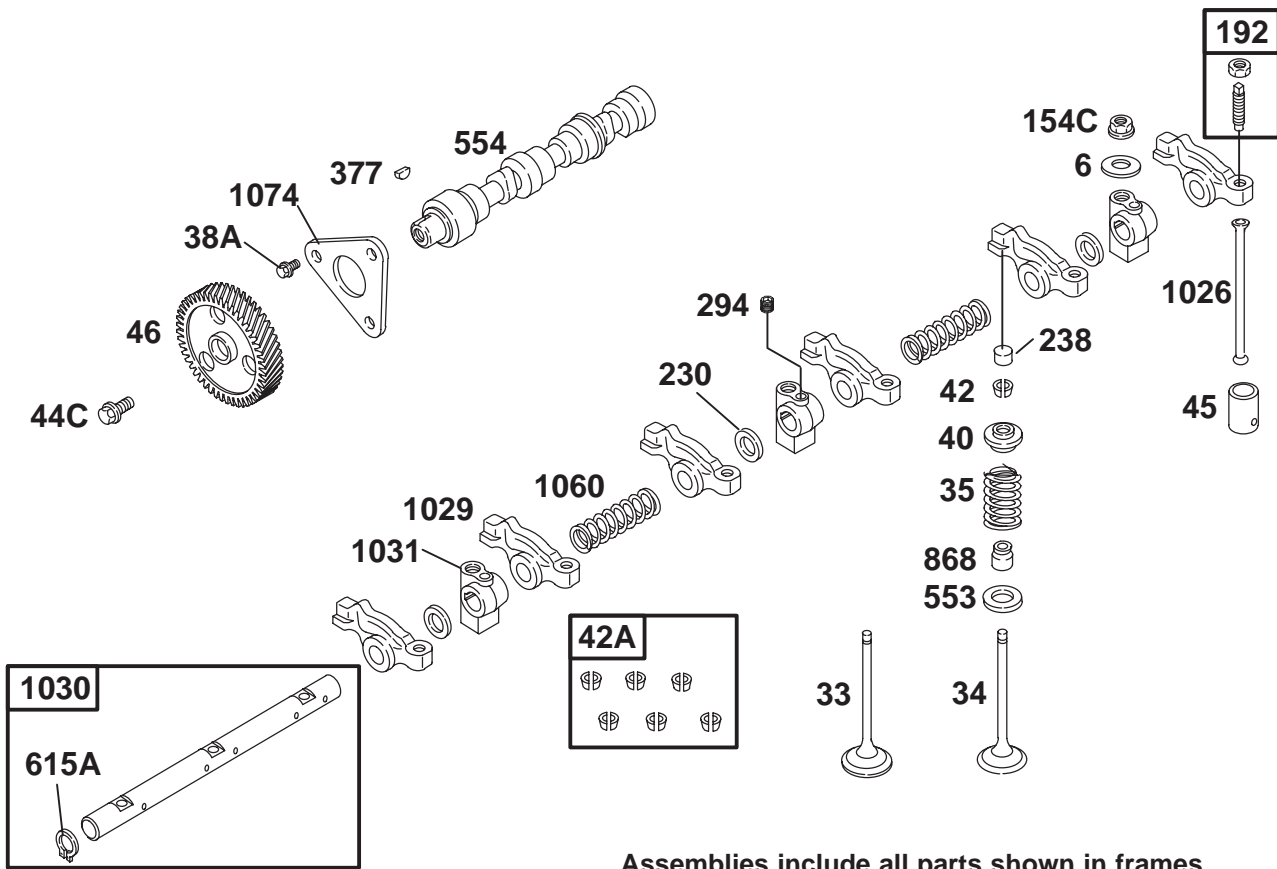


Sheet No.:4

Crankshaft Assembly

Ref. No.	Part No.	Qty.	Description
1073	99-9040	1	Plate-Gear, Idler
1075	99-9692	1	Pully-Crankshaft
1076	99-9042	1	Bearing-Rod
1076A	99-9044	3	Rod Bearing Set (.010 Undersize)
1076A	99-9043	3	Rod Bearing Set
1079	99-9045	1	Bearing Set (Main)
1079	99-9046	1	Bearing Set (.010 Undersize)
154	99-9034	6	Nut-Hex
16	99-9252	1	Crankshaft
220	99-9036	1	Washer-Thrust
220	99-9035	1	Washer-Thrust
23	99-9267	1	Flywheel
25	99-9268	3	Piston ASM
25	99-9605	3	Piston ASM
26	99-9269	3	Ring Set
26	99-9606	3	Ring Set
27	99-9607	6	Lock-Pin, Piston
29	99-9608	3	Rod-Connecting
32	99-9030	6	Screw-Rod, Connecting
44B	99-9031	6	Screw-Hex
49	99-9032	2	Screw-Hex
62	99-9033	1	Screw-Hex
718C	99-9037	1	Pin-Locating

Ref. No.	Part No.	Qty.	Description
743	99-9609	1	Gear-Drive
900	99-9039	1	Shaft-Gear



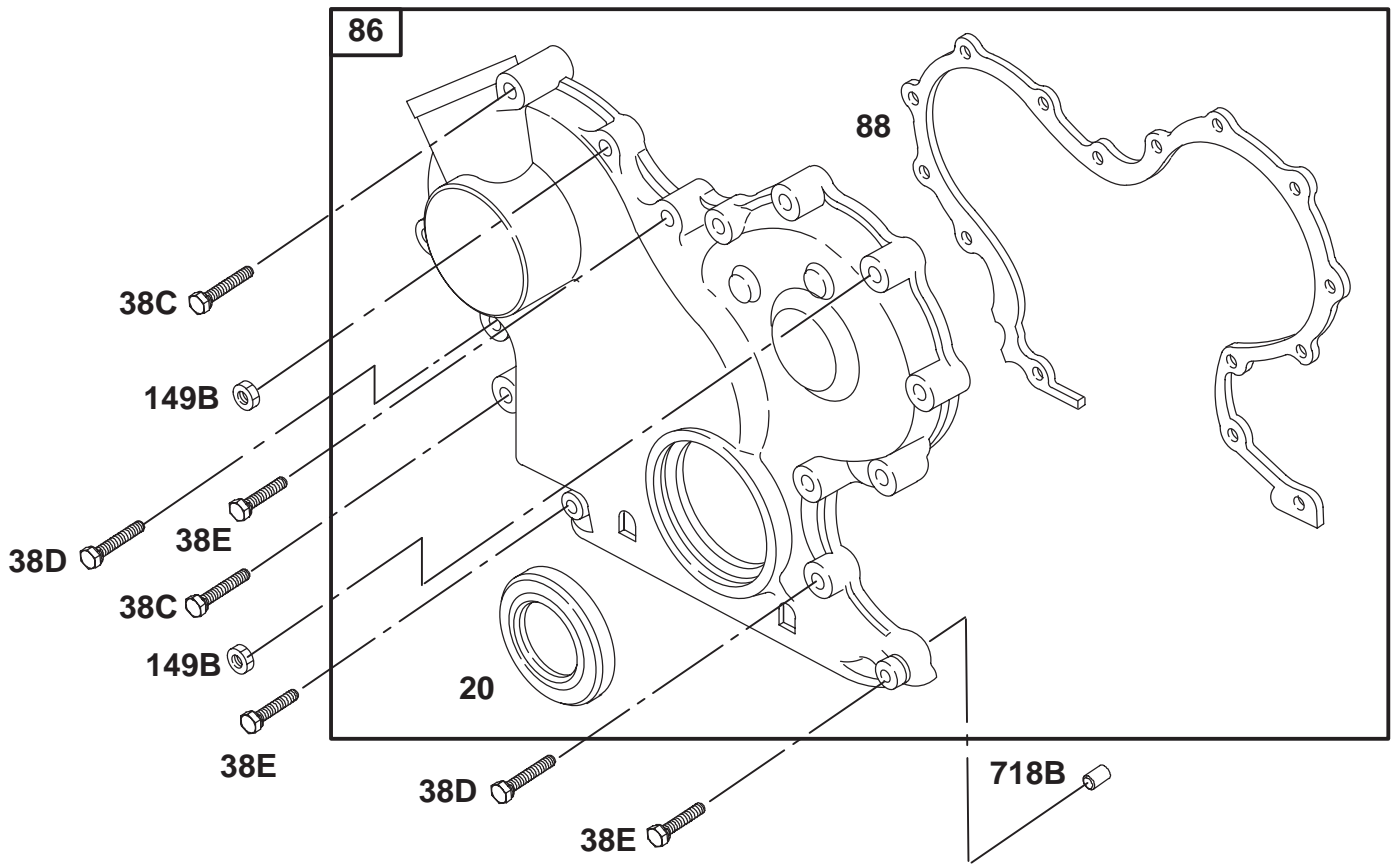
Assemblies include all parts shown in frames.

Sheet No.:7

Rocker Arm Assembly

Ref. No.	Part No.	Qty.	Description
06	99-9079	3	Washer-Flat
1026	99-9103	6	Rod-Push
1029	99-9104	1	Arm-Rocker
1030	99-9106	1	Shaft-Arm, Rocker
1031	99-9107	3	Support-Arm, Rocker
1060	99-9108	2	Spring-Shaft, Rocker
1074	99-9109	1	Retainer-Camshaft
154C	99-9091	3	Nut-Hex, Metric
192	99-9092	6	Adjuster-Arm, Rocker
230	99-9093	3	Washer-Spacer
238	99-9094	6	Cap-Valve
294	99-9090	1	Screw-Metric
33	99-9638	3	Valve-Exhaust
34	99-9639	3	Valve-Intake
35	99-9640	6	Spring-Valve
377	99-9642	1	Key-Timing
38A	99-9083	3	Screw-Hex
40	99-9084	6	Retainer-Valve
42	99-9086	1	Keeper-Valve
42A	99-9087	6	Keeper-Valve (Set Of Six)
44C	99-9085	1	Screw-Metric
45	99-9088	6	Tappet-Valve
46	99-9641	1	Gear-Cam
553	99-9096	6	Seat-Spring, Valve
554	99-9097	1	Shaft-Cam

Ref. No.	Part No.	Qty.	Description
615A	99-9099	2	Retainer
868	99-9643	6	Seal-Valve

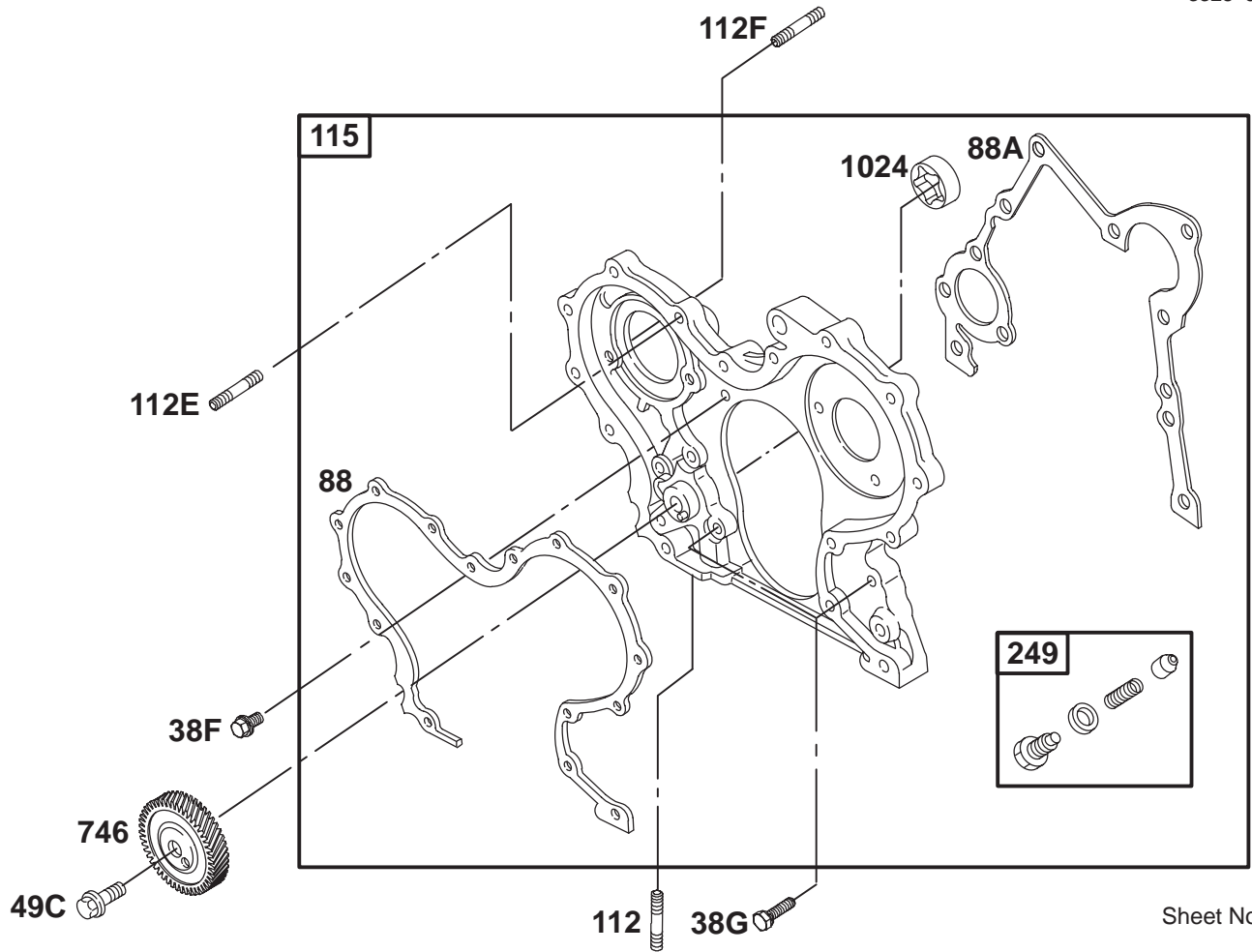


Sheet No.:9

Cover Assembly

Ref. No.	Part No.	Qty.	Description
149B	99-9114	2	Nut-Hex, Metric
20	99-9126	1	Seal-Oil
38C	99-9651	2	Screw-Hex
38D	99-9128	9	Screw-Hex
38E	99-9129	3	Screw-Hex
718B	99-9014	1	Pin-Locating
86	99-9652	1	Gear Cover ASM
88	99-9653	1	Gasket-Cover, Gear

Ref. No.	Part No.	Qty.	Description



Sheet No.:10

Gear Housing Assembly

Ref. No.	Part No.	Qty.	Description
112	99-9007	1	Stud-Metric
112E	99-9137	2	Stud-Metric
112F	99-9654	2	Stud-Metric
115	99-9655	1	Housing-Gear
249	99-9142	1	Valve-Relief, Oil
38F	99-9134	1	Screw-Hex
38G	99-9133	4	Screw-Hex
49C	99-9135	1	Screw-Hex
746	99-9656	1	Gear-Drive
88	99-9653	1	Gasket-Cover, Gear
88A	99-9136	1	Gasket-Cover, Gear

Ref. No.	Part No.	Qty.	Description

