



Spacer Kit for Blade Retainer for 22" Recycler[®] Lawn Mowers

Model No. 105-8619

Form No. 3328-362

Installation Instructions

Important: You will need a torque wrench to install this kit. If you do not have a torque wrench or are uncomfortable performing this procedure, contact an Authorized Service Dealer.

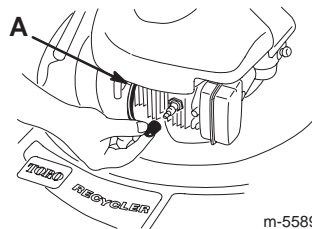
Inspecting the Blade Driver Key

Before you install the new spacer, inspect the blade driver key to determine whether you need to replace the blade driver.

Important: The spacer in this kit is compatible only with the blade driver having a welded key.

1. Stop the engine and wait for all moving parts to stop.

2. Disconnect the spark plug wire from the spark plug and hook it onto the retaining post (A).



3. Empty the fuel in the fuel tank.

Note: Allow the fuel tank to run dry through normal usage. If you must tip the mower prior to running out of fuel, use a hand fuel pump to remove the fuel.



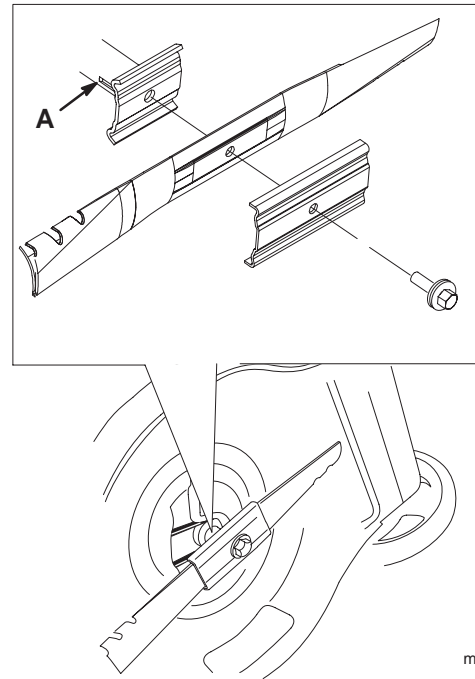
Warning

Tipping the mower may cause the fuel to leak. Gasoline is flammable, explosive, and can cause personal injury.

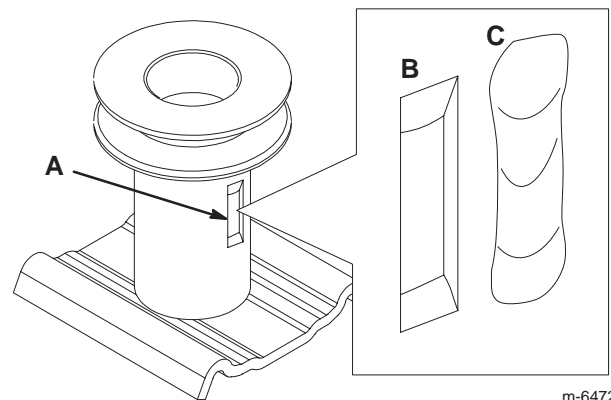
Run the engine dry or remove the gasoline with a hand pump; never siphon.

4. Tip the mower onto the **right** side.

5. Locate the blade driver (A) as shown in the figure below.



6. Inspect the blade driver key (A). If the key is stamped into the side (B) or if the key is damaged on the inside of the blade driver, install a new blade driver with a welded key (C).



Note: The spacer in this kit is compatible only with the blade driver with a welded key (C). Contact an Authorized Service Dealer to purchase a new blade driver with a welded key.

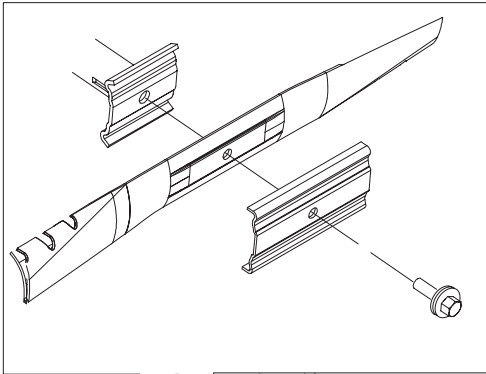
Removing the Blade Driver



The blade is sharp; contacting the blade can result in serious personal injury.

Wear cloth or leather gloves when servicing the blade.

1. Use a block of wood to hold the blade steady.

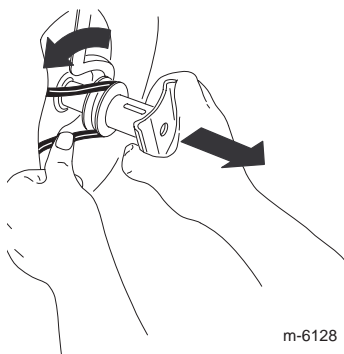


m-6216a

2. Remove the blade and save all blade mounting hardware.

3. Pull out the blade driver until the belt clears the belt guide and the key clears the crankshaft.

4. Remove the belt from the pulley by pushing on the belt while rotating the blade driver.

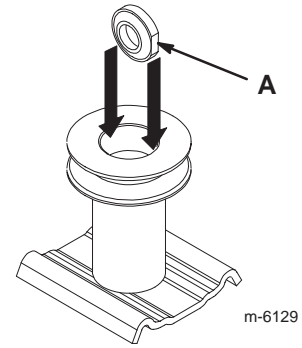


m-6128

5. Pull the blade driver off the crankshaft.

Installing the Blade Driver

1. Insert the new spacer into the blade driver with the flat edge (A) oriented as shown.



m-6129

2. Install the blade driver onto the crankshaft without allowing the key to go into the slot in the crankshaft.

3. Pull the belt around the pulley and rotate the blade driver and the belt until the key aligns with the slot in the crankshaft, then push the blade driver all the way onto the crankshaft.

4. Install the blade and all blade mounting hardware.

Important: Install the blade so that the curved ends point toward the mower.

Note: If the bolt does not thread in, the spacer is not properly aligned. Align the spacer and push the blade driver all the way onto the crankshaft.

5. Use a block of wood to hold the blade steady as shown in the figure.

6. Use a torque wrench to tighten the blade bolt to 60 ft-lb (82 N·m).

Important: A bolt torqued to 60 ft-lb (82 N·m) is very tight. While holding the blade with a block of wood, put your weight behind the ratchet or wrench and tighten the bolt securely. This bolt is very difficult to overtighten.