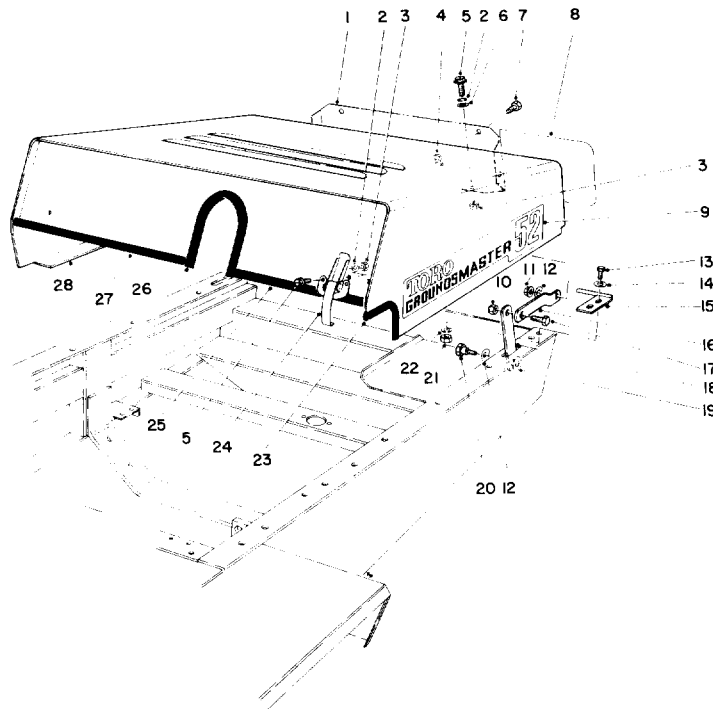




MODEL NO. 30775 – 10001 & UP
MODEL NO. 30555 – 10001 & UP

**PARTS
CATALOG**

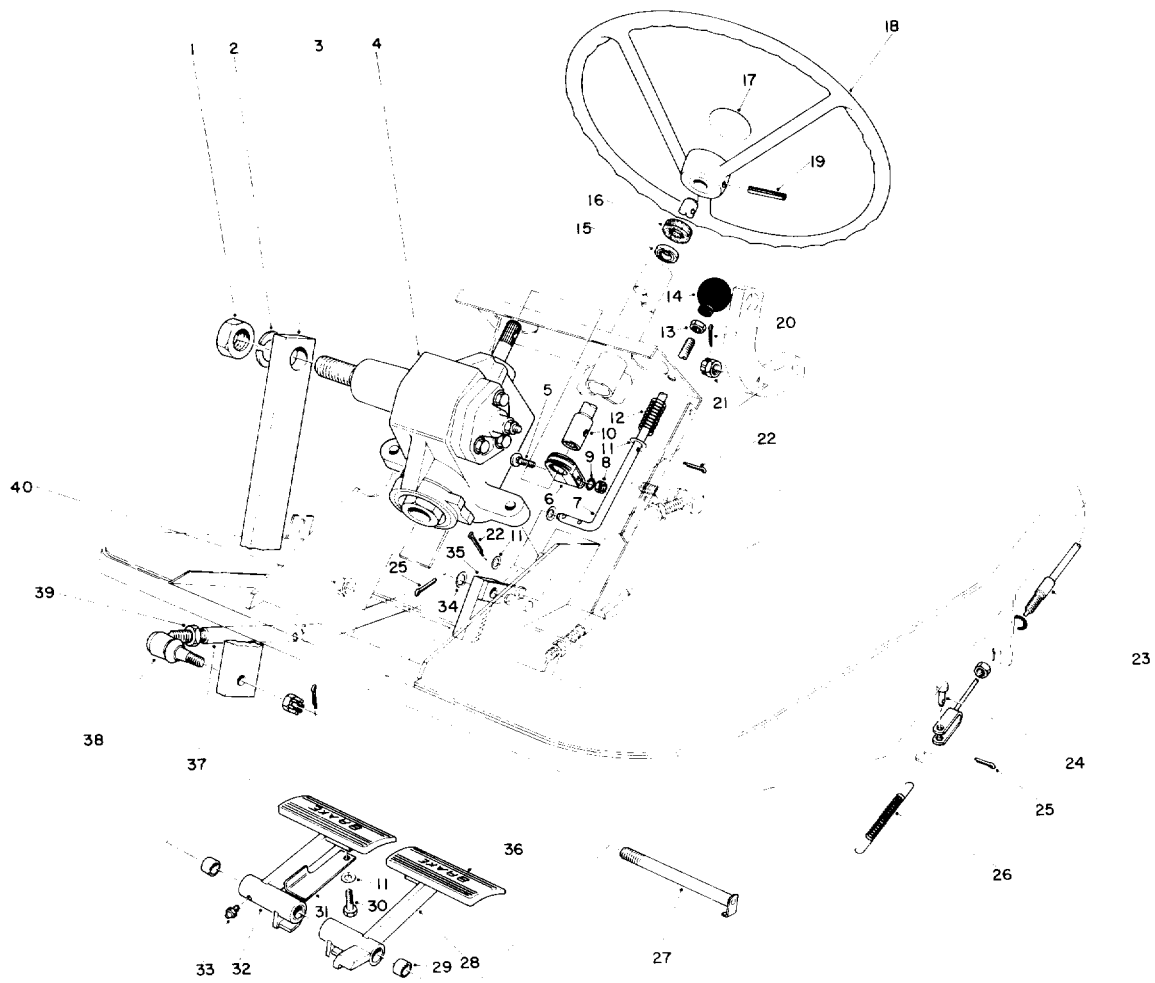
GROUNDMASTER 52®



HOOD ASSEMBLY

Ref. No.	Part No.	Description	No. Used	Ref. No.	Part No.	Description	No. Used
1	36-0680	Screen	1	*	27-4800	Pivot Pin R.H.	1
2	3253-17	Lockwasher	8	16	27-6800	Link Hood	2
3	3217-26	Nut	7	17	3211-27	Capscrew	2
4	3290-191	Tinnerman Nut	2	18	27-6810	Tie Hood	2
5	3290-144	Machine Screw	8	19	4-2390	Washer	2
6	3256-14	Flat Washer	4	20	19-1470	Shoulder Screw	2
7	32144-8	Thread Forming Screw	2	21	3217-5	Nut	4
8	36-0630	Decal – Hood	1	22	3253-3	Lockwasher	5
9	38-4190	Decal – Groundmaster 52	2	23	36-1970	Hood Trim	1
10	3296-5	Locknut	2	24	249-10	Latch	2
11	3290-357	Flange Nut	2	25	38-4070	Hood Trim	1
12	3290-211	Spring Washer	4	26	37-9790	Hood Trim	1
13	321-4	Capscrew	4	27	38-4080	Hood Trim	1
14	3256-22	Flat Washer	4	28	38-3220	Hood	1
15	27-4830	Pivot Pin L.H.	1				

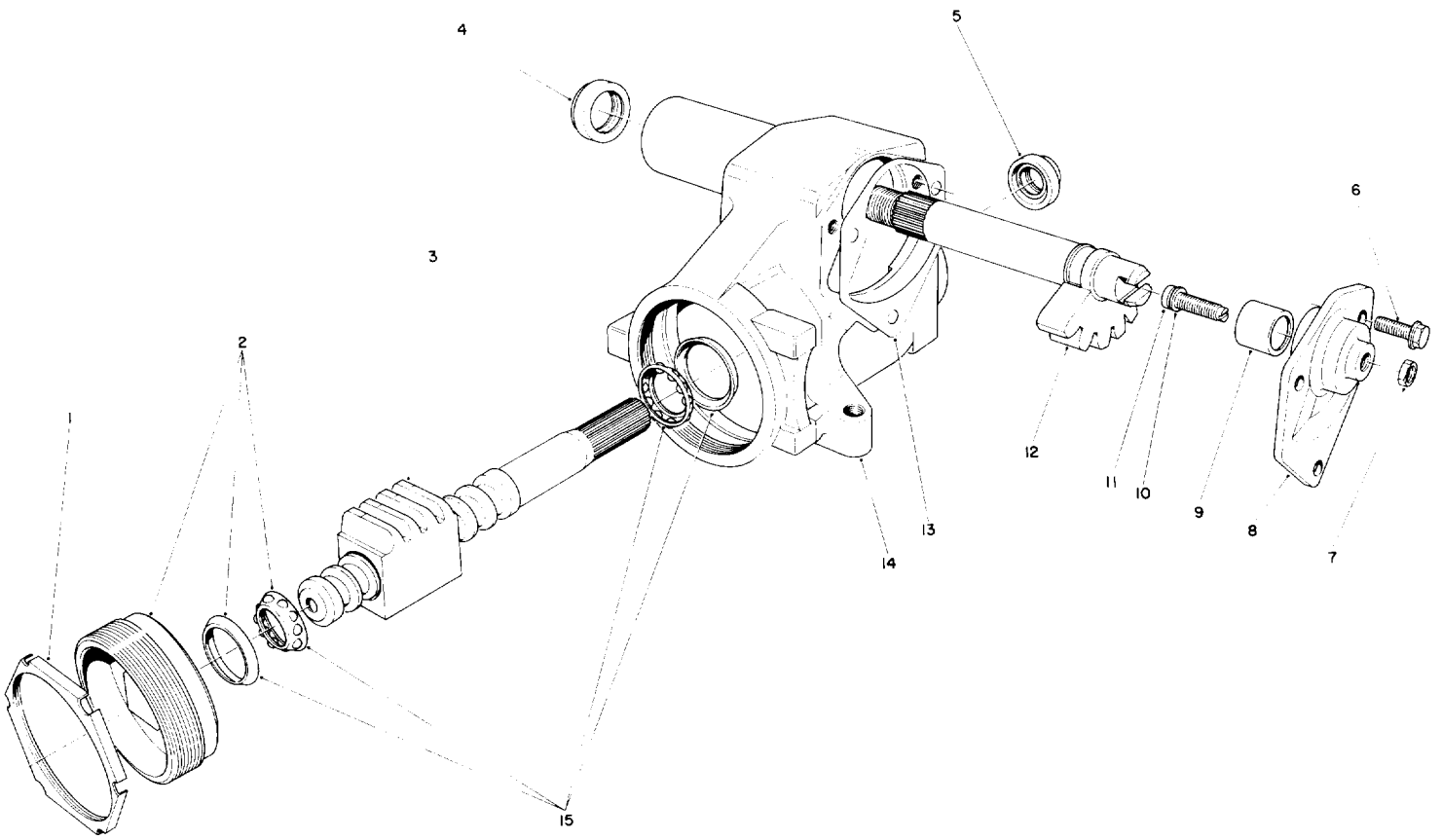
*Not Illustrated



PEDALS AND STEERING WHEEL ASSEMBLY

Ref. No.	Part No.	Description	No. Used
1	3220-8	Nut	1
2	3253-28	Lockwasher	1
3	41-8880	Pitman Arm	1
4	41-8820	Steering Gear	1
5	3232-16	Carriage Bolt	1
6	41-8830	Clamp Steering Coupling	1
7	27-3550	Rod Brake Latch	1
8	3217-8	Nut	1
9	3253-6	Lockwasher	1
10	41-8840	Steering Shaft	1
11	3256-22	Flat Washer	4
12	3-3251	Spring	1
13	3217-5	Nut	1
14	233-17	Knob	1
15	251-275	Ball Bearing	1
16	21-9260	Dust Cover	1
17	24-2090	Cap — Steering Wheel	1
18	25-6260	Steering Wheel	1
19	32121-10	Roll Pin	1
20	3272-7	Cotter Pin	2
21	32136-4	Slotted Nut	2
22	3272-5	Cotter Pin	3

Ref. No.	Part No.	Description	No. Used
23	21-3370	Brake Cable Assembly	2
24	283-30	Clevis Pin	2
25	3272-10	Cotter Pin	3
26	3-7243	Spring Return	2
27	42-2540	Pin	1
28	41-8810	Brake Pedal L.H. (Incl. Ref. #29 & 33)	1
29	256-42	Bushing	4
30	329-4	Capscrew	1
31	27-3560	Latch — Parking Brake	1
32	41-8800	Brake Pedal R.H. (Incl. Ref. #29 & 33)	1
33	302-5	Grease Fitting	2
34	3256-26	Flat Washer	2
35	42-3220	Rack	1
36	7-3900	Foot Pad Brake	2
37	27-3390	Tube Front Steering	1
38	21-0140	Socket Assembly R.H. (Incl. Ref. #21)	2
39	3220-5	Jam Nut	2
40	3296-33	Locknut	1

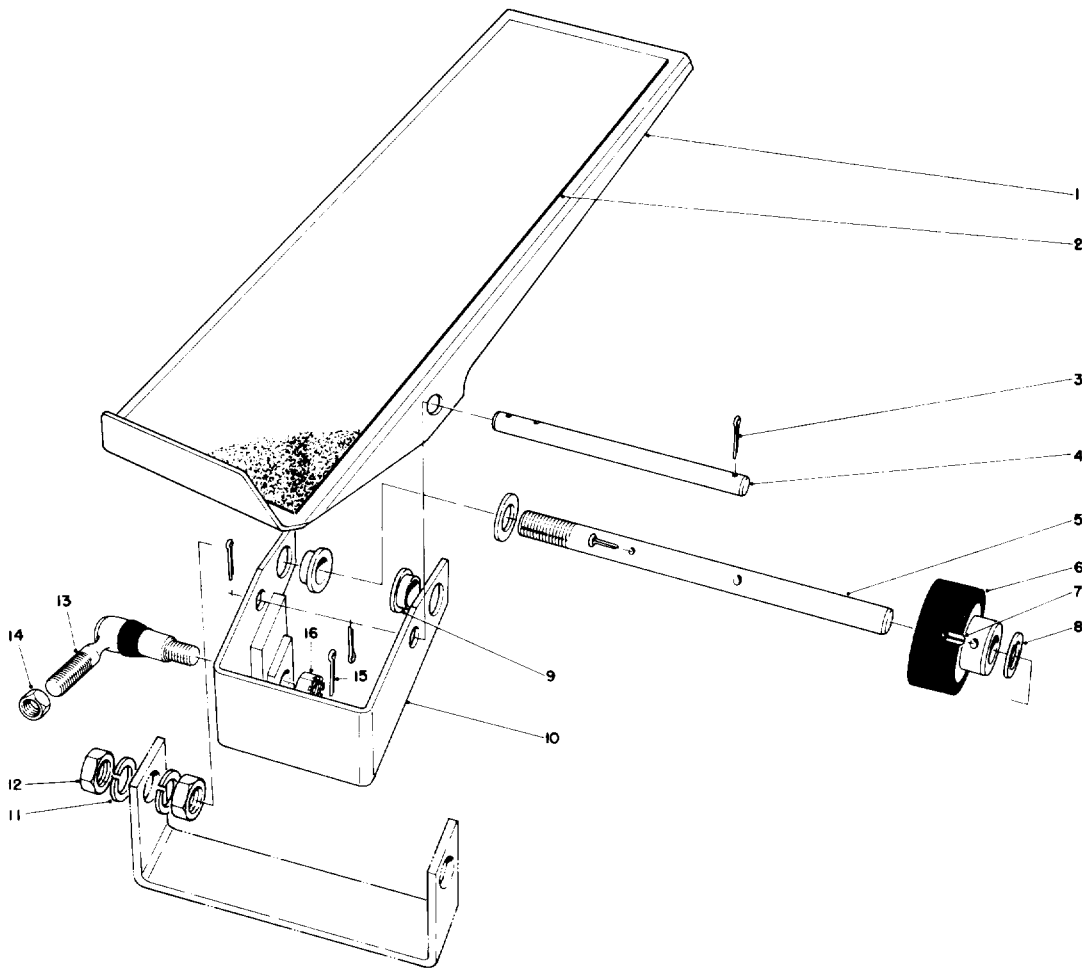


STEERING GEAR ASSEMBLY NO. 41-8820

Ref. No.	Part No.	Description	No. Used
1	5676217	Nut – Adjuster Lock	1
2	5666681	Adjuster Assembly	1
3	7812946	Worm Assembly – Steering	1
4	7801626	Seal	1
5	7802160	Seal	1
6	7807009	Hex Head Flange Bolt	3
7	114495	Nut	1
8	7806748	Side Cover Service Kit (Incl. Ref. #6, 9, 11 & 13)	1

Ref. No.	Part No.	Description	No. Used
9		Bushing	1
10	605142	Shim Kit	1
11	7802482	Adjuster	1
12	7812834	Gear – Pitman Shaft	1
13	5666734	Gasket	1
14	5679292	Steering Gear Housing	1
15	5666693	Bearing Assembly – Worm Thrust	1

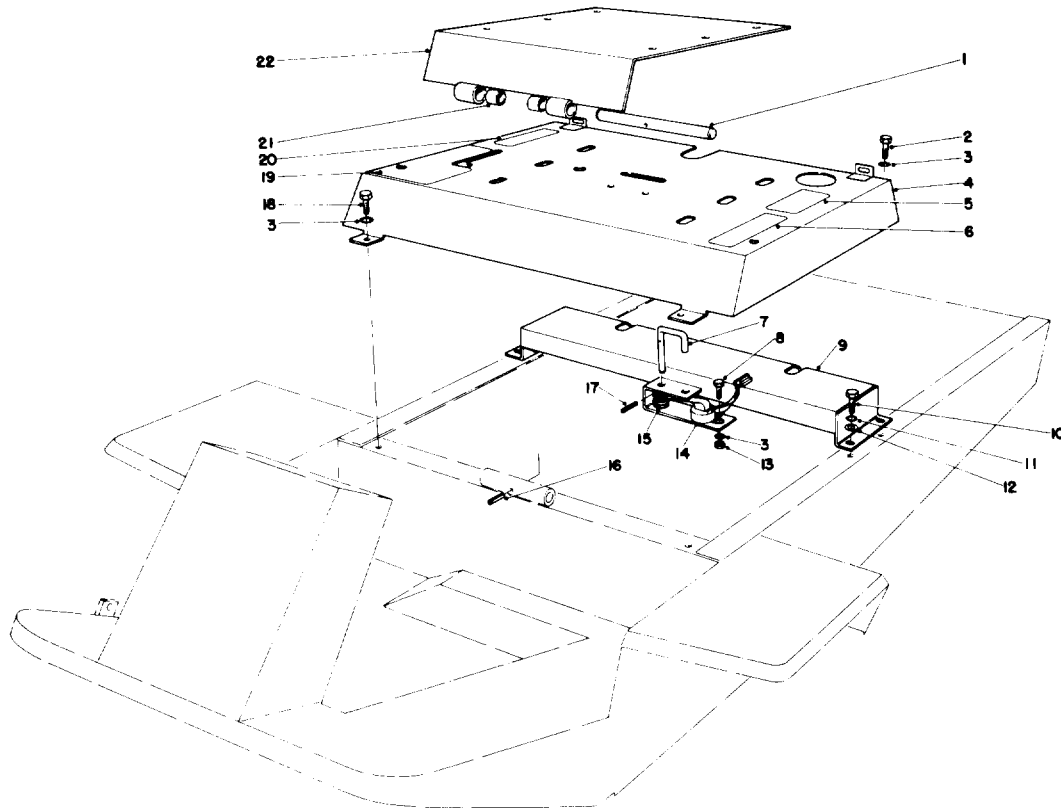
Note: Obtain parts from your local GMC, Chevrolet Dealer.



TRACTION PEDAL ASSEMBLY

Ref. No.	Part No.	Description	No. Used
1	29-5670	Traction Pedal	1
2	28-5130	Pad Pedal	1
3	3272-10	Cotter Pin	4
4	29-5630	Pivot Pin Pedal	1
5	29-5640	Shaft – Traction Pedal	1
6	28-5220	Friction Wheel Assembly	1
7	32121-16	Roll Pin	1
8	5-7570	Washer	2
9	256-156	Bushing	2

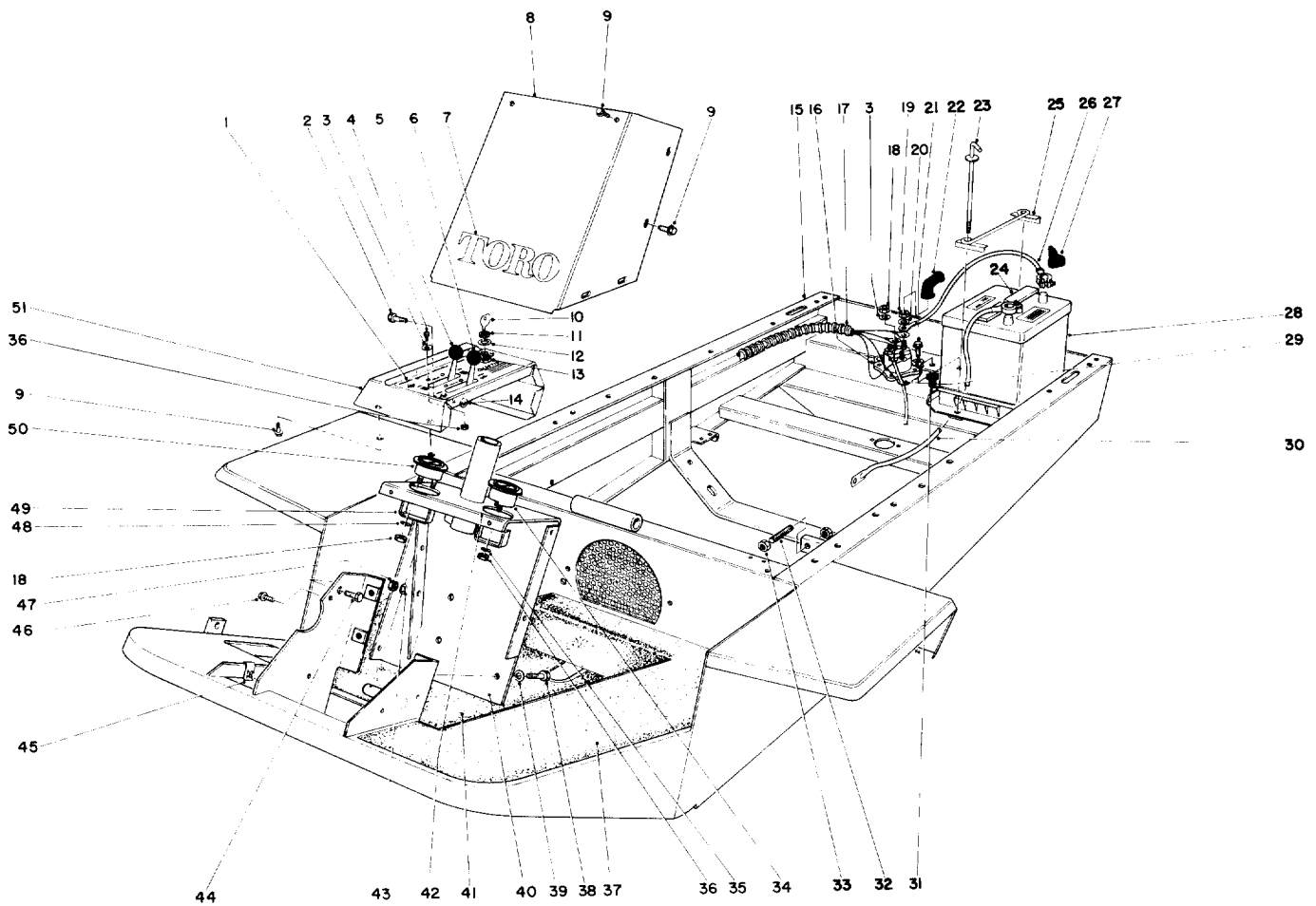
Ref. No.	Part No.	Description	No. Used
10	29-5600	Pivot Bracket Assembly (Incl. Ref. #9)	1
11	3253-7	Lockwasher	2
12	3218-5	Jam Nut	2
13	21-0140	Socket Assembly R.H.	1
14	3220-5	Jam Nut	1
15	3272-7	Cotter Pin	1
16	32136-4	Slotted Nut	1



SEAT MOUNT ASSEMBLY

Ref. No.	Part No.	Description	No. Used
1	27-4720	Shaft Seat Pivot	1
2	321-4	Capscrew	2
3	3253-3	Lockwasher	5
4	38-2470	Cover – Seat Support (Incl. Ref. #5, 6, 19 & 20)	1
5	27-7310	Decal – Refueling	1
6	27-4620	Decal – Caution	1
7	38-3170	Pin Seat Switch	1
8	321-2	Capscrew	1
9	37-9770	Seat Support	1
10	323-5	Capscrew	4
11	3253-21	Lockwasher	4

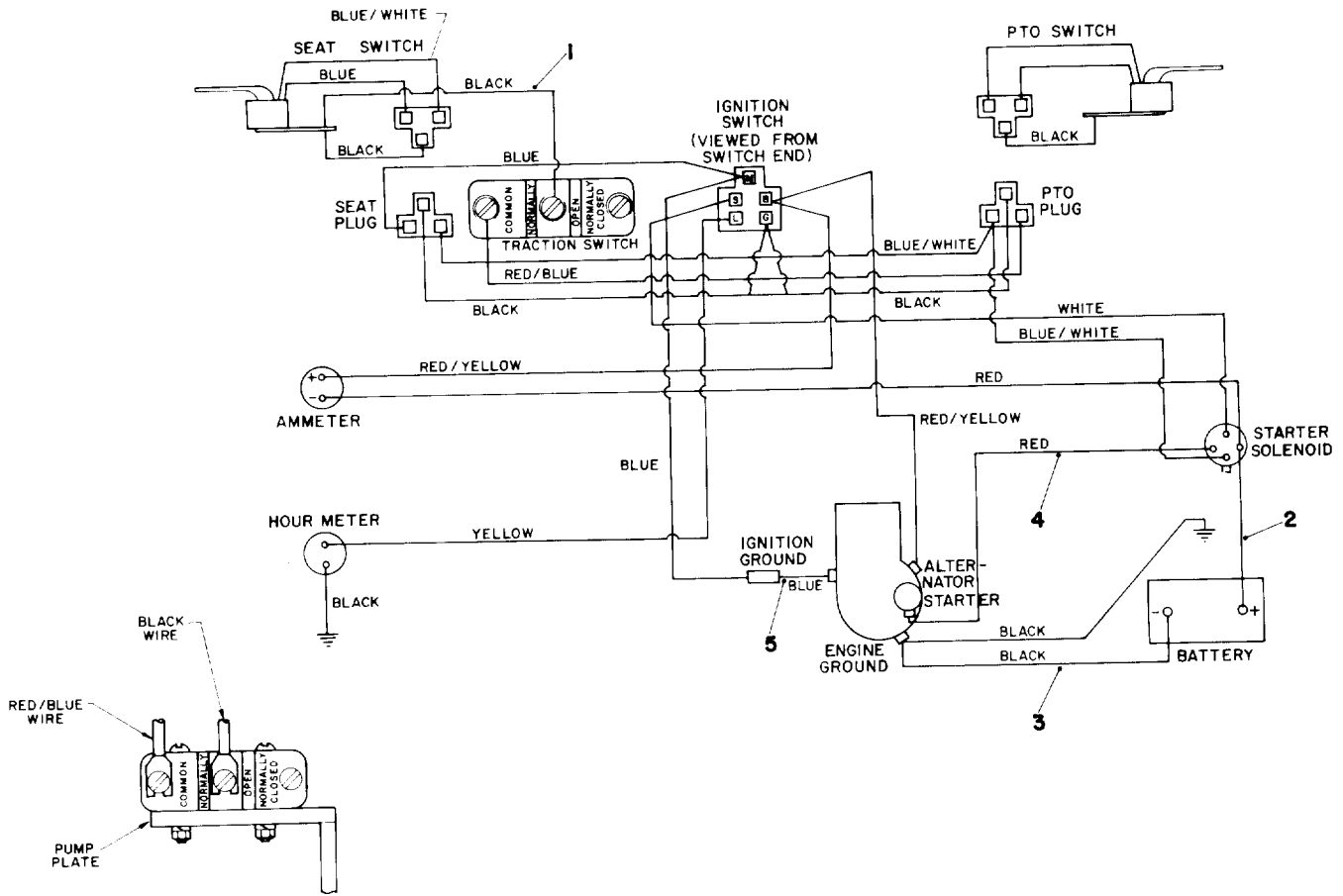
Ref. No.	Part No.	Description	No. Used
12	3256-24	Flat Washer	4
13	3217-5	Nut	1
14	33-0290	Seat Switch	1
15	3-6685	Spring	1
16	32121-4	Roll Pin	1
17	32121-50	Roll Pin	1
18	32104-114	Self Tapping Screw	2
19	27-4390	Decal – Hydraulic Lift	1
20	28-3290	Decal – Caution	1
21	256-173	Bushing	2
22	38-4020	Seat Mount (Incl. Ref. #21)	1



INSTRUMENT PANEL AND STEERING POST ASSEMBLY

Ref. No.	Part No.	Description	No. Used
1	27-4450	Decal – Instrument Panel	1
2	321-4	Capscrew	1
3	3253-17	Lockwasher	6
4	3251-3	Round Head Machine Screw	4
5	27-4430	Choke Control	1
6	27-4440	Throttle Control	1
7	27-4600	Decal – Toro	1
8	41-8900	Tower Cover	1
9	32104-116	Self Tapping Screw	14
10	218-412	Key (Set of 2)	1
11	218-461	Nut Hex	1
12	3254-5	Lockwasher	1
13	23-0660	Switch – Ignition	1
14	3256-22	Flat Washer	1
15	41-8780	Frame	1
16	28-5650	Solenoid	1
17	41-8890	Wire Harness	1
18	3219-14	Jam Nut	7
19	3218-13	Brass Nut	4
20	3253-4	Lockwasher	2
21	321-6	Capscrew	2
22	218-331	Battery Boot	1
23	27-8100	Bolt Battery	2
24	239-19	Battery Cap	6
25	27-5380	Battery Hold Down	1
26	39-8860	Wire Positive Battery to Solenoid	1

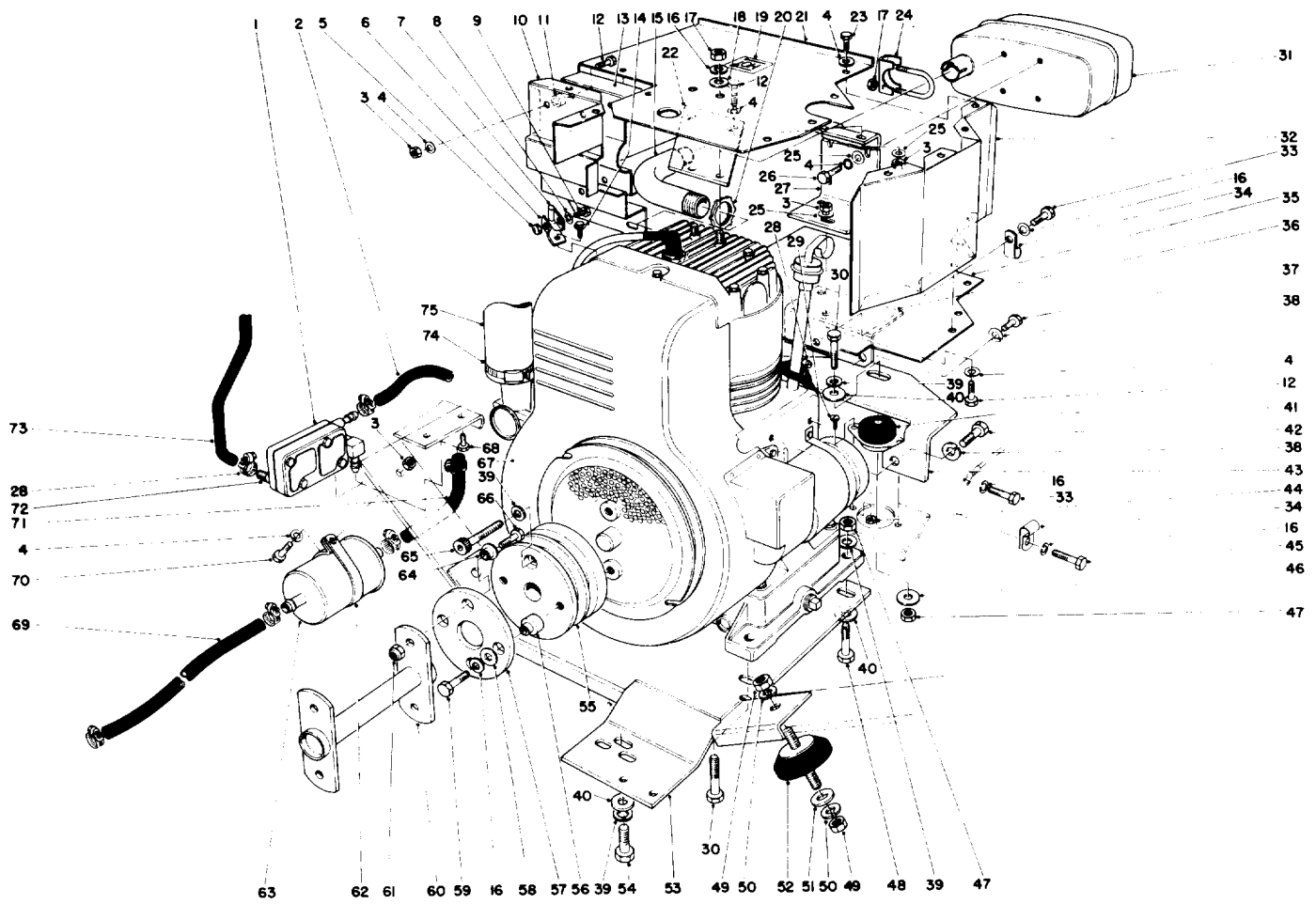
Ref. No.	Part No.	Description	No. Used
27	28-1280	Battery Boot	1
28	27-5180	Battery	1
29	27-5110	Wire Solenoid to Starter	1
30	27-5090	Wire Battery Ground	1
31	32117-1	Blind Nut	2
32	27-6940	Pin Stop	1
33	3218-3	Jam Nut	2
34	12-9990	Hourmeter	1
35	3254-1	Lockwasher	1
36	3217-26	Nut	5
37	27-3250	Non Skid Tunnel	1
38	324-6	Capscrew	3
39	3253-6	Lockwasher	3
40	42-2580	Steering Post	1
41	27-3260	Non Skid Floor	1
42	41-8910	Decal – Instruction	1
43	3253-21	Lockwasher	1
44	323-5	Capscrew	1
45	3290-192	Tinnerman Nut	2
46	32104-60	Self Tapping Screw	1
47	3217-7	Nut	1
48	3256-21	Lockwasher	2
49	39-9600	Clamp	1
50	33-0990	Ammeter	1
51	27-4400	Instrument Panel	1



ELECTRICAL SCHEMATIC

Ref. No.	Part No.	Description	No. Used
1	41-8890	Wire Harness	1
2	39-8860	Wire Positive Battery to Solenoid	1

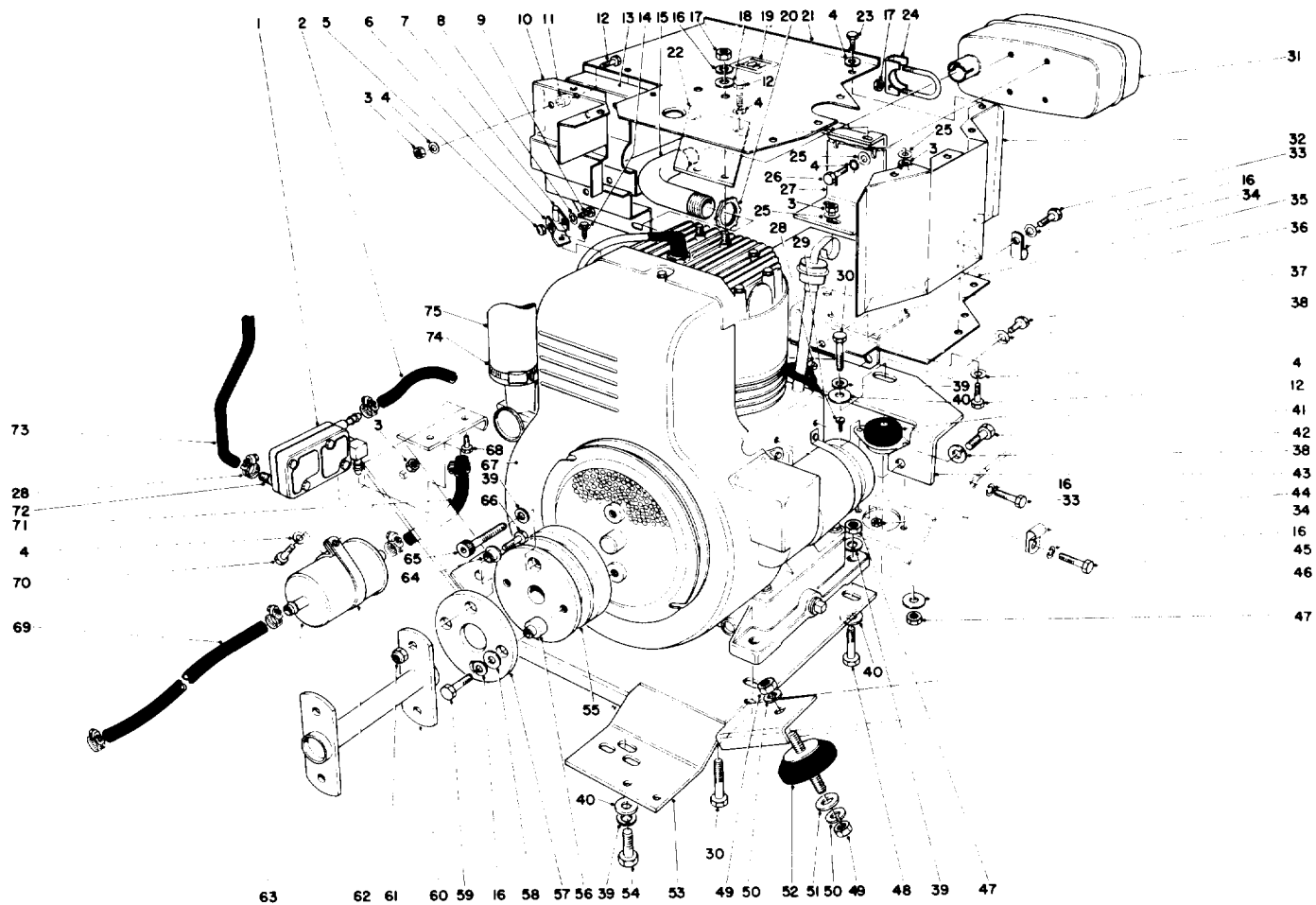
Ref. No.	Part No.	Description	No. Used
3	27-5090	Wire Battery Ground	1
4	27-5110	Wire Solenoid to Starter	1
5	27-9590	Wire Engine Ground	1



ENGINE ASSEMBLY

Ref. No.	Part No.	Description	No. Used
1	27-7000	Fuel Pump	1
2	27-5330	Line Pulse	1
3	3217-5	Nut	9
4	3253-3	Lockwasher	28
5	3217-26	Nut	1
6	27-5160	Bracket Boden Clip	1
7	2412-31	Clamp	1
8	3253-17	Lockwasher	1
9	3251-1	Round Hd. Machine Screw	1
10	27-7790	Shield – Rear	1
11	28-8860	Spacer	3
12	321-5	Capscrew	8
13	28-3280	Shield Exhaust	1
14	12-3270	Screw Thread Forming	1
15	27-6960	Exhaust Pipe	1
16	3253-4	Lockwasher	7
17	3217-6	Nut	4
18	3256-23	Flat Washer	2
19	28-1530	Decal – Hot Surface	1
20	3290-163	Conduit Locknut	1
21	39-8800	Top Heat Shield	1
22	29-5440	Muffler Bracket	1
23	32104-114	Self Tapping Screw	15

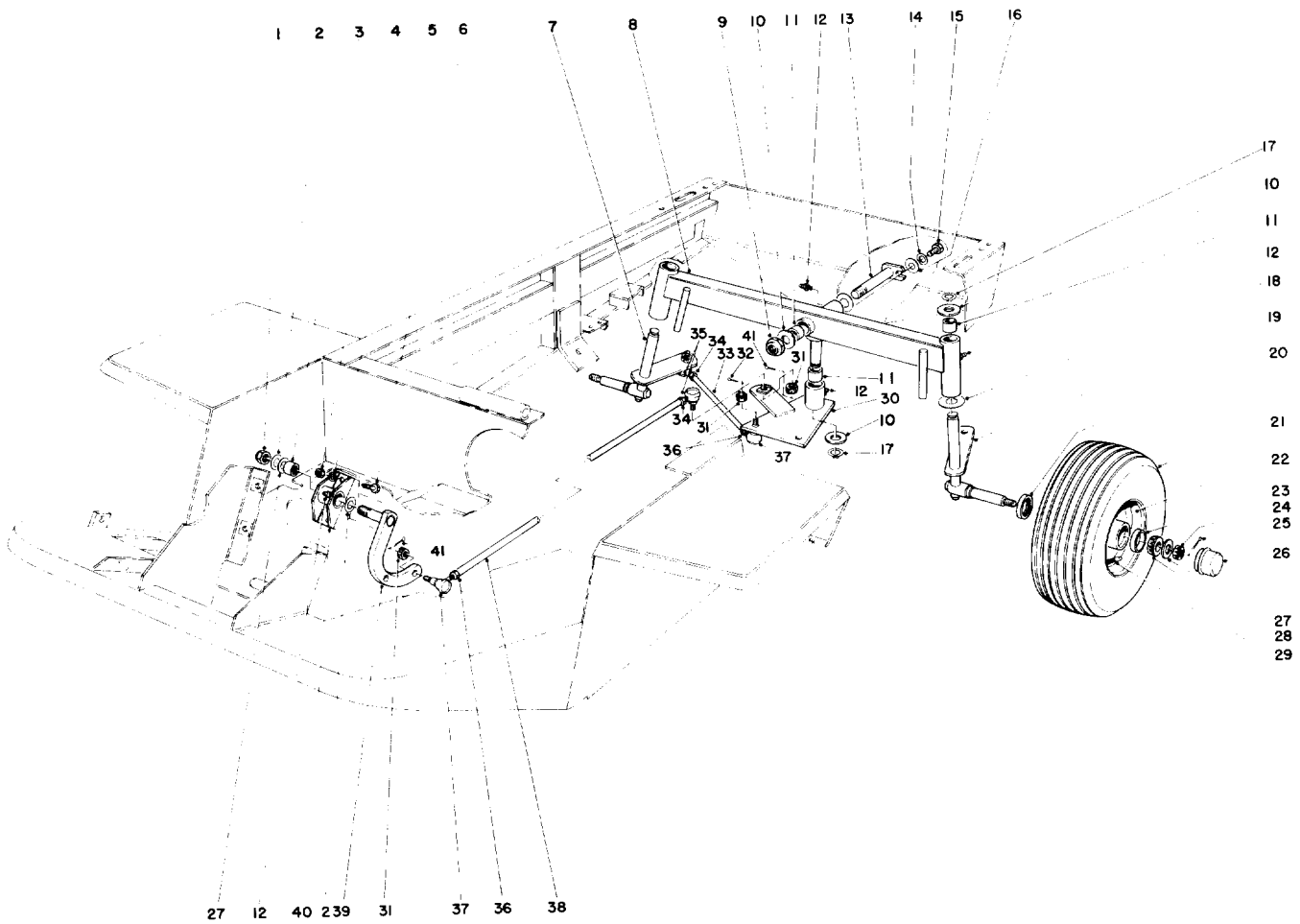
Ref. No.	Part No.	Description	No. Used
24	2412-37	Muffler Clamp	1
25	3256-22	Flat Washer	9
26	321-2	Capscrew	4
27	27-6990	Muffler Bracket	1
28	2412-36	Hose Clamp	8
29	3251-3	Round Hd. Machine Screw	2
30	323-11	Capscrew	2
31	27-6610	Muffler	1
32	27-7760	Side Heat Shield	1
33	322-2	Capscrew	2
34	2412-55	Hose Clamp	2
35	27-7750	Bottom Heat Shield	1
36	27-6980	Bracket Heat Shield	1
37	324-2	Capscrew	1
38	3253-6	Lockwasher	3
39	3253-21	Lockwasher	8
40	3256-24	Flat Washer	6
41	18-8000	Rubber Mount	1
42	324-3	Capscrew	2
43	27-7020	Rear Engine Mount	1
44	3296-2	Locknut	2
45	322-3	Capscrew	1
46	28-1140	Washer	1



ENGINE ASSEMBLY (Continued)

Ref. No.	Part No.	Description	No. Used
47	3217-7	Nut	5
48	323-8	Capscrew	3
49	3219-5	Nut	4
50	3253-7	Lockwasher	4
51	3256-26	Flat Washer	2
52	27-5050	Rubber Mount	2
53	27-4640	Engine Base	1
54	323-7	Capscrew	1
55	27-3830	Engine Pulley	1
56	33-2020	Spacer – Rubber Coupling	2
57	27-6560	Coupling Rubber	2
58	3256-3	Flat Washer	2
59	3210-8	Capscrew	2
60	27-3780	Drive Coupling	1
61	32152-5	Locknut	4

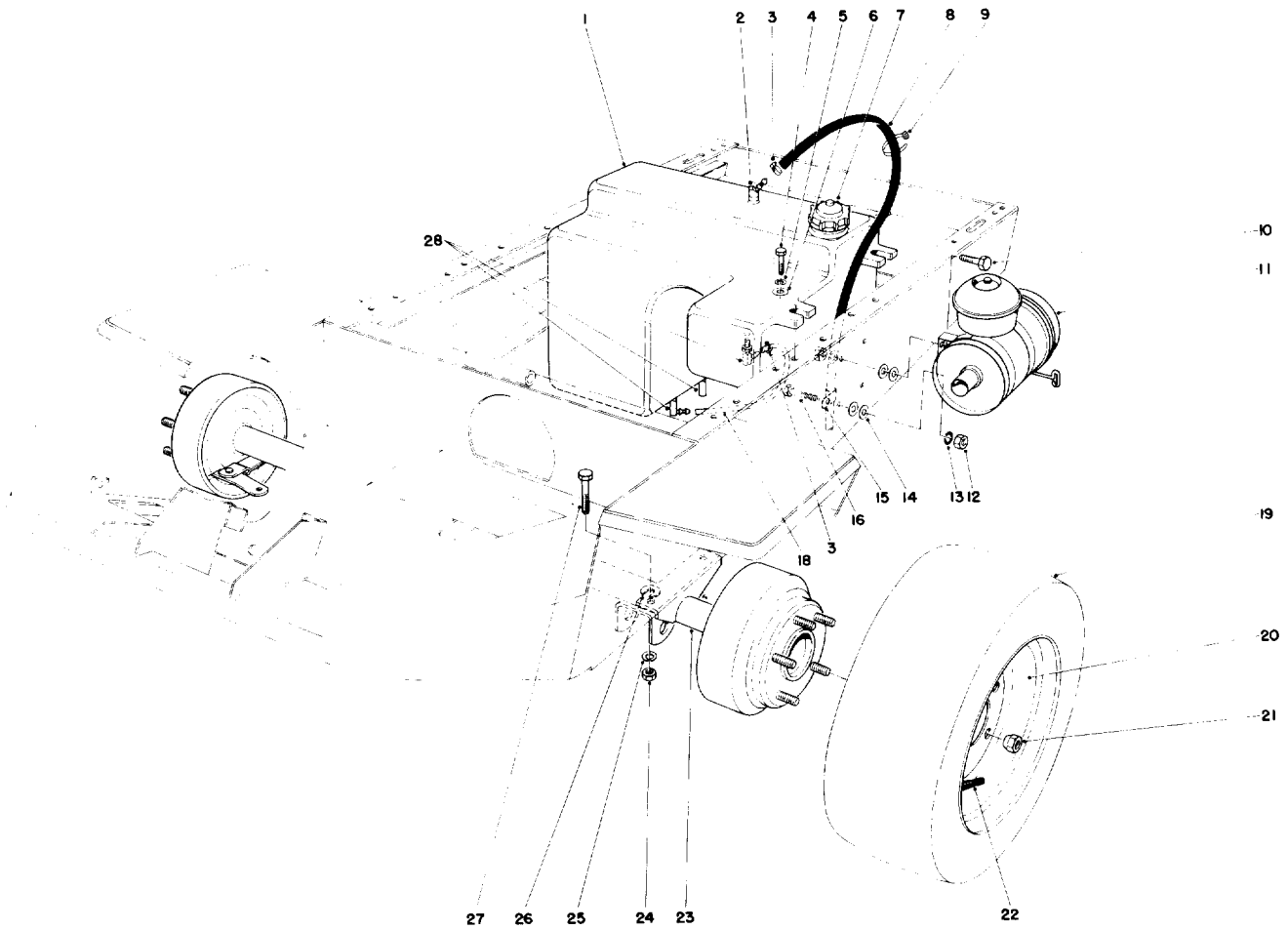
Ref. No.	Part No.	Description	No. Used
62	2412-56	Clamp – Filter	1
63	18-1520	Filter Gas	1
64	27-6600	Spacer – Rubber Coupling	4
65	3274-50	Socket Hd. Capscrew	2
66	3210-5	Capscrew	4
67	221-585	Engine Briggs & Stratton (Model No. 326437-0262-01)	1
68	32140-102	Sems Hex Hd. Screw	2
69	27-5360	Gas Line – Tank to Filter	1
70	321-4	Capscrew	1
71	27-5350	Gas Line – Filter to Pump	1
72	353-574	Fitting	1
73	27-5340	Gas line – Pump to Carb	1
74	2412-42	Hose Clamp	2
75	36-0620	Hose Air Cleaner	1



REAR AXLE ASSEMBLY

Ref. No.	Part No.	Description	No. Used
1	3296-15	Locknut	1
2	3-6514	Thrust Washer	2
3	252-6	Bearing	2
4	3217-7	Full Nut	2
5	3253-21	Lockwasher	2
6	323-5	Capscrew	2
7	39-8900	Spindle R.H.	1
8	27-3850	Axle (Incl. Ref. #11 & 12)	1
9	3296-49	Locknut	1
10	10-8110	Washer	5
11	3-0348	Bushing	8
12	302-5	Grease Fitting	5
13	27-4060	Pin Rear Axle	1
14	3253-3	Lockwasher	1
15	321-2	Capscrew	1
16	3256-22	Flat Washer	1
17	32151-36	Snap Ring	3
18	256-121	Bushing	2
19	39-8850	Spindle L.H.	1
20	253-129	Seal	2
21	231-104	Tire	2
22	217-108	Wheel (Incl. Ref. #23)	2

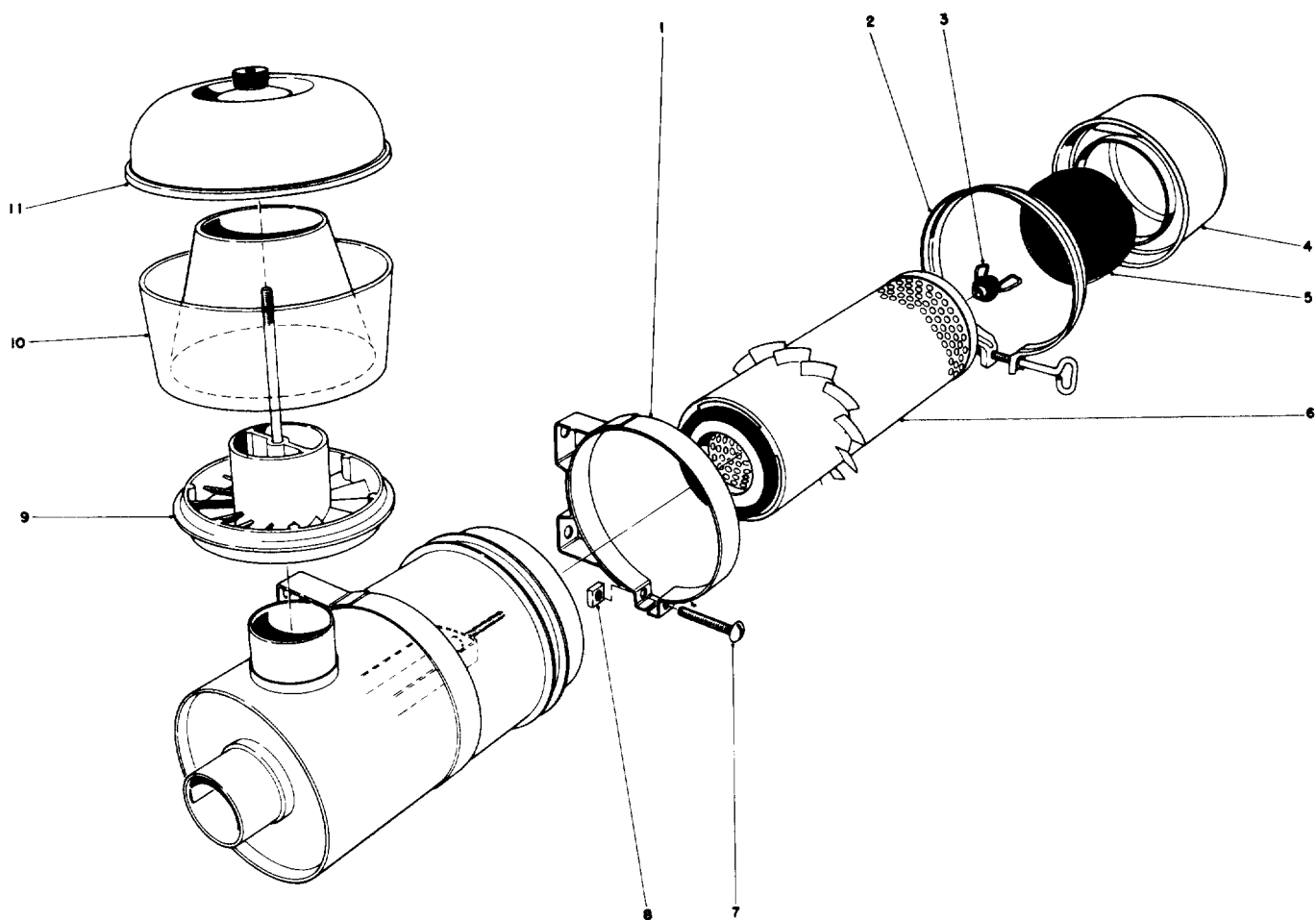
Ref. No.	Part No.	Description	No. Used
23	254-72	Bearing Cup	4
24	32136-5	Castle Nut	2
25	3272-13	Cotter Pin	2
26	241-119	Dust Cap	2
27	3256-28	Flat Washer	3
28	254-94	Bearing Cone	4
29	232-35	Valve Stem	2
30	27-4010	Steering Plate (Incl. Ref. #11 & 12)	1
31	32136-4	Slotted Nut	6
32	3272-6	Cotter Pin	4
33	27-4090	Tie Rod Steering	2
34	3220-12	Jam Nut	3
35	21-0150	Socket Assembly L.H. (Incl. Ref. #31)	3
36	3220-5	Jam Nut	3
37	21-0140	Socket Assembly R.H. (Incl. Ref. #31)	3
38	27-3400	Tube - Rear Steering	1
39	27-5230	Pivot Arm	1
40	27-3640	Pivot Mount (Incl. Ref. #3 & 12)	1
41	3272-7	Cotter Pin	2



GAS TANK AND AIR CLEANER ASSEMBLY

Ref. No.	Part No.	Description	No. Used
1	37-9900	Gas Tank	1
2	353-705	45° Elbow	1
3	2412-36	Clamp – Worm Drive	3
4	323-19	Capscrew	3
5	3253-21	Lockwasher	3
6	3256-41	Flatwasher	3
7	37-9540	Gas Cap	1
8	37-9920	Hose – Vent Gas Tank	1
9	3290-336	Cable Tie	1
10	322-3	Capscrew	2
11	8-2329	Air Cleaner Assembly	1
12	3217-6	Nut	4
13	3253-4	Lockwasher	4
14	3256-23	Flat Washer	8

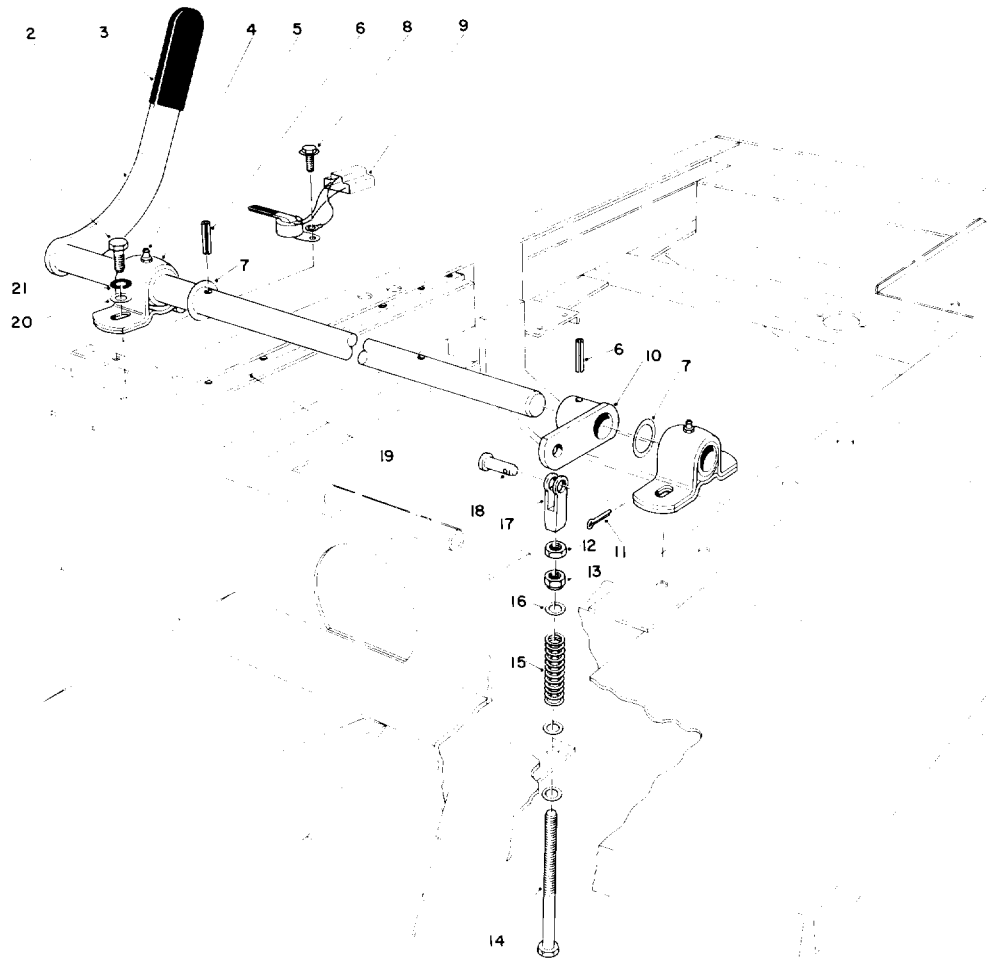
Ref. No.	Part No.	Description	No. Used
15	2412-41	Clamp	1
16	322-10	Capscrew	2
18	27-5370	Gas Line – Tank Connection	1
19	231-103	Tire	2
20	217-107	Rim	2
21	242-35	Wheel Nut	10
22	232-35	Valve Stem w/Cap	2
23	27-3580	Axle	1
24	3217-8	Nut	4
15	3253-6	Lockwasher	4
26	28-5640	Washer Special	A/R
27	324-9	Capscrew	4
28	353-536	Elbow	3



AIR CLEANER ASSEMBLY 8-2329

Ref. No.	Part No.	Description	No. Used
1	33-1350	Band Assembly Mounting	2
2	33-1340	Clamp Assembly	1
3	33-1330	Nut Assembly	1
4	33-1320	Cup Assembly	1
5	33-1310	Baffle	1
6	33-1300	Element Assembly	1

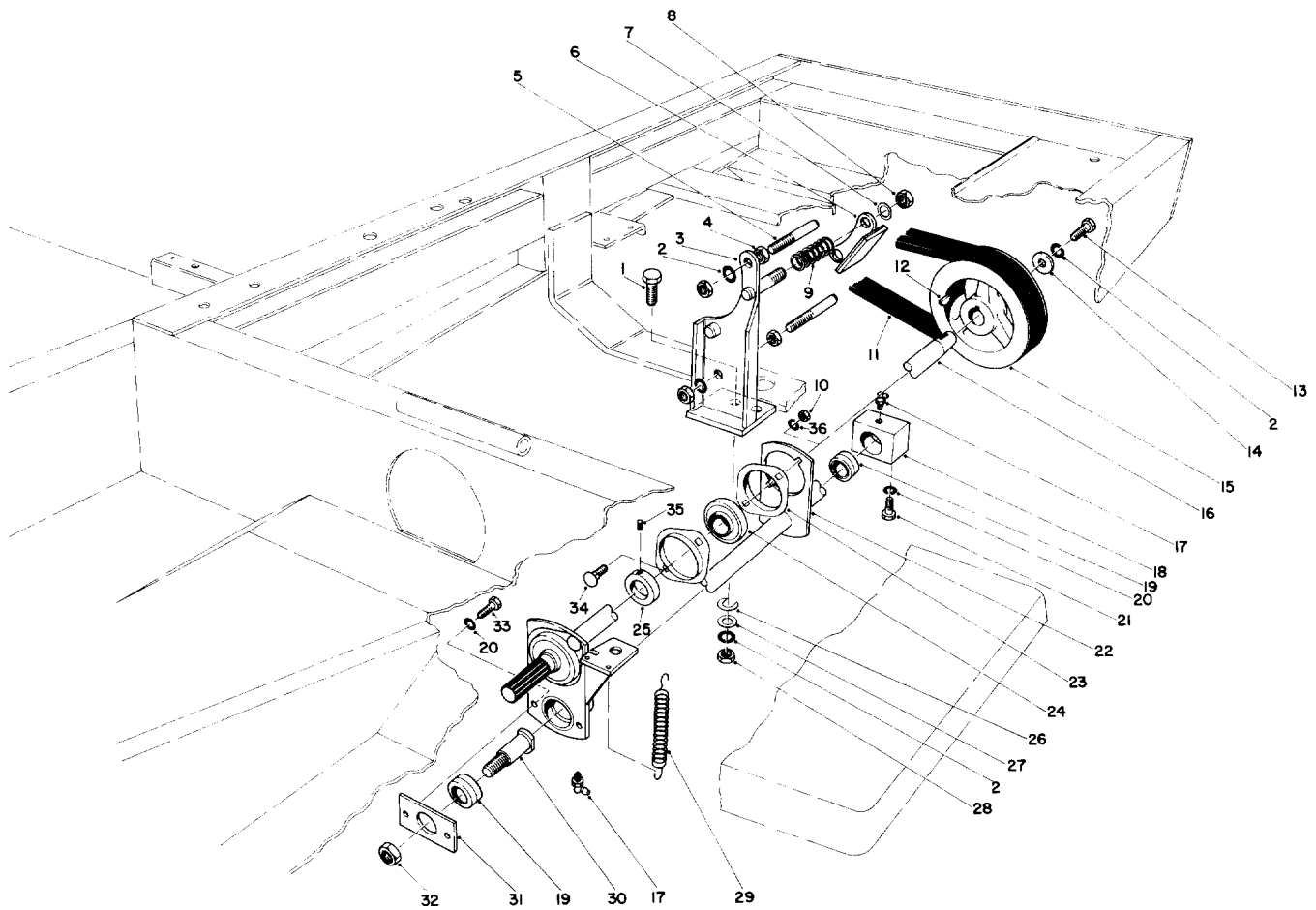
Ref. No.	Part No.	Description	No. Used
7	3258-19	Machine Screw	2
8	32107-11	Nut – Square	2
9	33-1280	Sleeve Assembly	1
10	33-1270	Bowl Clear	1
11	33-1260	Cover Assembly	1



POWER TAKE OFF LEVER ASSEMBLY

Ref. No.	Part No.	Description	No. Used
1	321-4	Capscrew	4
2	27-4910	P.T.O. Lever	1
3	21-1880	Grip Handle	1
4	302-5	Grease Fitting	2
5	251-269	Bearing Pillow Block	2
6	32121-31	Roll Pin	2
7	3-6514	Washer	2
8	32104-116	Self Tapping Screw	1
9	33-0300	Switch P.T.O.	1
10	27-4940	Engagement Arm	1
11	3272-5	Cotter Pin	1

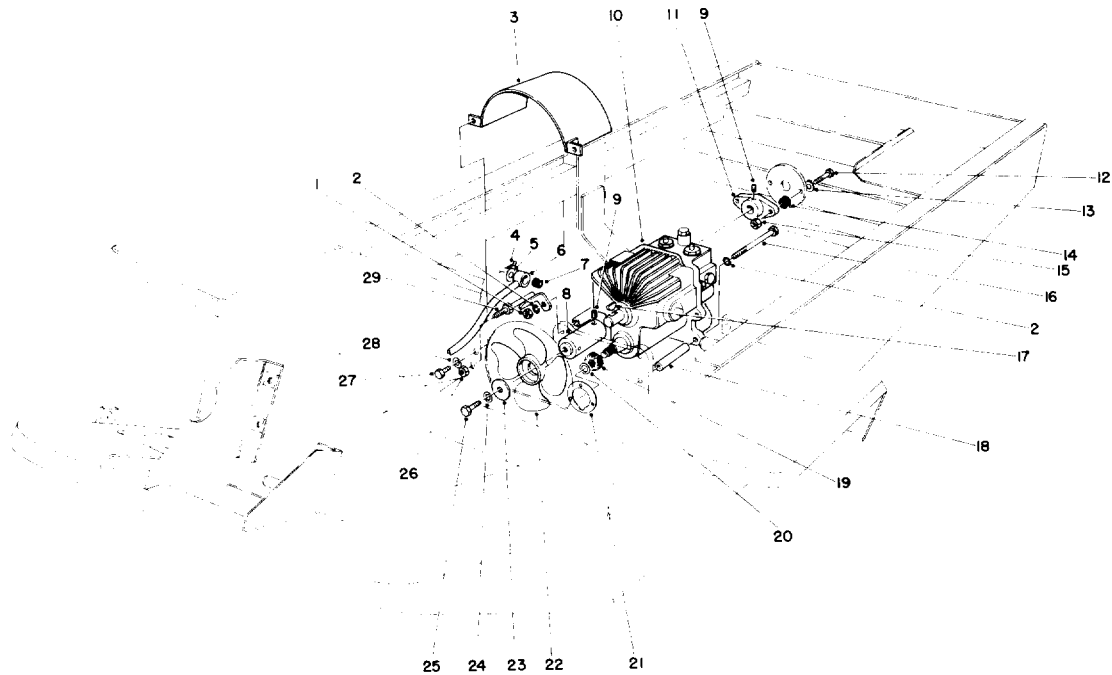
Ref. No.	Part No.	Description	No. Used
12	3230-3	Jam Nut	1
13	3296-5	Locknut	1
14	27-7900	Screw adjusting	1
15	21-0400	Spring	1
16	3256-41	Flat Washer	3
17	282-1	Yoke	1
18	283-42	Clevis Pin	1
19	37-7060	Bar Frame Rail	2
20	3256-22	Flat Washer	4
21	3253-3	Lockwasher	4



POWER TAKE OFF ASSEMBLY

Ref. No.	Part No.	Description	No. Used
1	323-8	Capscrew	2
2	3253-21	Lockwasher	7
3	27-8410	P.T.O. Brake Bracket	1
4	3218-3	Jam Nut	4
5	27-8450	P.T.O. Belt Guide	2
6	33-0890	Brake Shoe & Lining Assembly	1
7	3256-26	Flat Washer	1
8	3296-45	Locknut	1
9	27-9220	Spring Compression	1
10	3217-6	Nut	4
11	27-4630	V-Belt A-Section	2
12	3257-5	Woodruff Key	1
13	323-18	Capscrew	1
14	29-4730	Washer P.T.O.	1
15	27-4530	P.T.O. Pulley	1
16	27-4980	Shaft P.T.O.	1
17	302-40	Grease Fitting	2
18	28-9050	Hub Bearing	1
19	251-268	Bearing	2

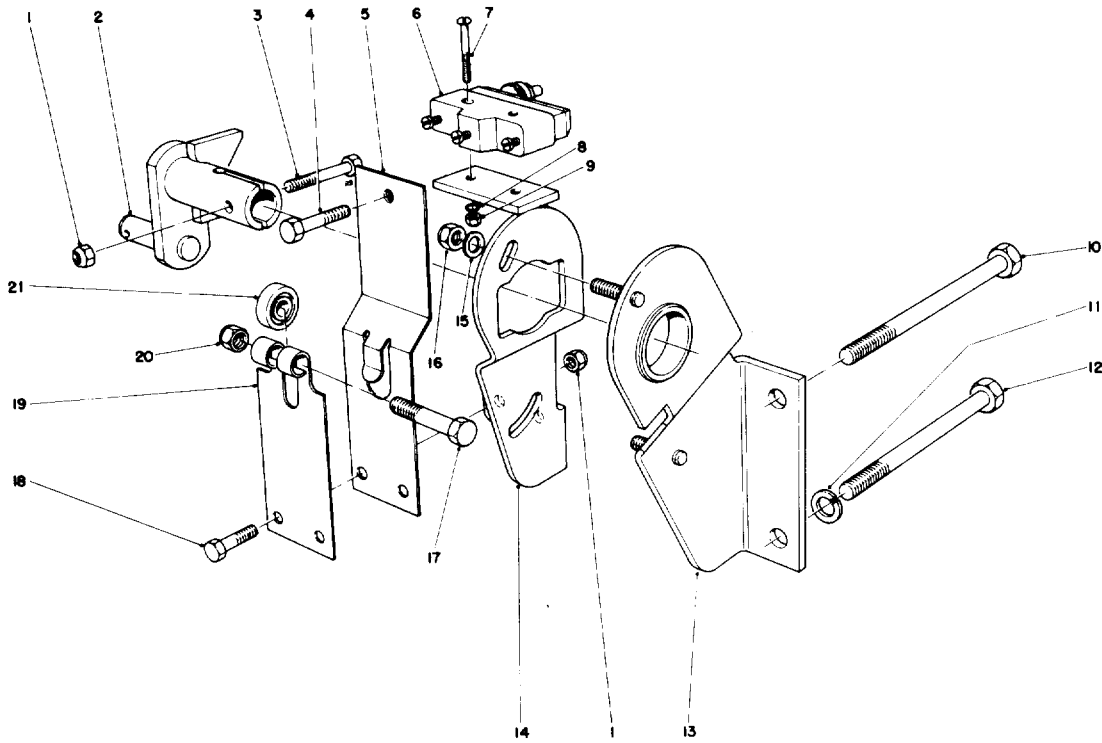
Ref. No.	Part No.	Description	No. Used
20	3253-3	Lockwasher	4
21	321-6	Capscrew	2
22	37-0010	Engagement Arm	1
23	251-255	Flange Bearing	4
24	251-253	Bearing w/collar (Incl. Ref. #25 & 35)	2
25	251-77	Locking Collar	2
26	28-5640	Washer - Special	A/R
27	3256-24	Flat Washer	2
28	3217-7	Nut	2
29	28-8950	Spring Extension	2
30	27-6970	Stud Bearing	1
31	27-6650	Retainer Bearing	1
32	3296-33	Locknut	1
33	321-3	Capscrew	2
34	3230-16	Carriage Bolt	4
35	3245-1	Set Screw	2
36	3253-4	Lockwasher	4



TRANSMISSION AND FAN ASSEMBLY

Ref. No.	Part No.	Description	No. Used	Ref. No.	Part No.	Description	No. Used
1	3217-7	Nut	1	16	323-38	Capscrew	2
2	3253-21	Lockwasher	3	17	3257-5	Woodruff Key	2
3	27-3270	Fan Shroud	1	18	27-3680	Mounting Spacer	4
4	3272-10	Cotter Pin	1	19	23-4810	Spur Gear	1
5	3256-26	Flat Washer	1	20	32120-72	Snap Ring	1
6	27-4160	Pump Control Tube	1	21	27-3690	Gasket – Transmission	1
7	23-2270	Bushing Rubber	1	22	27-3740	Fan	1
8	27-4340	Hub & Plug	1	23	27-4360	Washer	1
9	3245-1	Set Screw	4	24	3253-4	Lockwasher	1
10	27-3670	Transmission	1	25	322-5	Capscrew	1
11	27-4370	Pump Hub	1	26	3218-5	Jam Nut	2
12	3210-8	Capscrew	2	27	321-2	Capscrew	2
13	3256-3	Flat Washer	2	28	3253-3	Lockwasher	2
14	33-2020	Spacer Rubber Coupling	2	29	27-5310	Axle Support	1
15	32152-5	Locknut	2	*	29-0060	Alignment Tool Kit	1

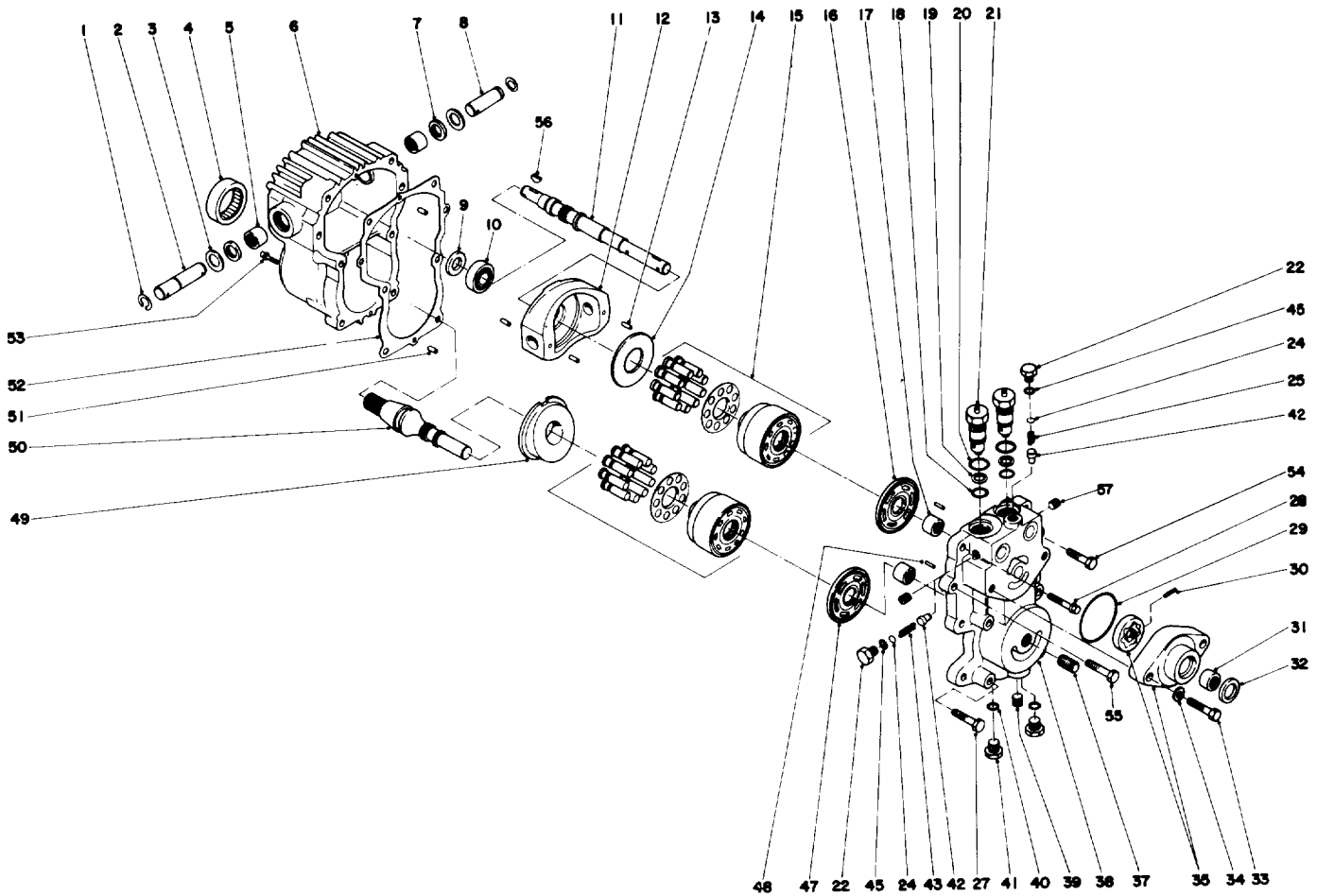
*Not Illustrated



TRANSMISSION INTERLOCK ASSEMBLY

Ref. No.	Part No.	Description	No. Used
1	3296-42	Locknut	4
2	29-9790	Pump Lever	1
3	321-9	Capscrew	2
4	3210-7	Capscrew	1
5	29-6170	Extended Leaf Spring	1
6	29-6160	Micro Switch	1
7	3249-11	Round Head Machine Screw	2
8	3254-9	Internal Tooth Lockwasher	2
9	3217-16	Brass Full Nut	2
10	27-9620	Capscrew	1
11	3253-21	Lockwasher	1

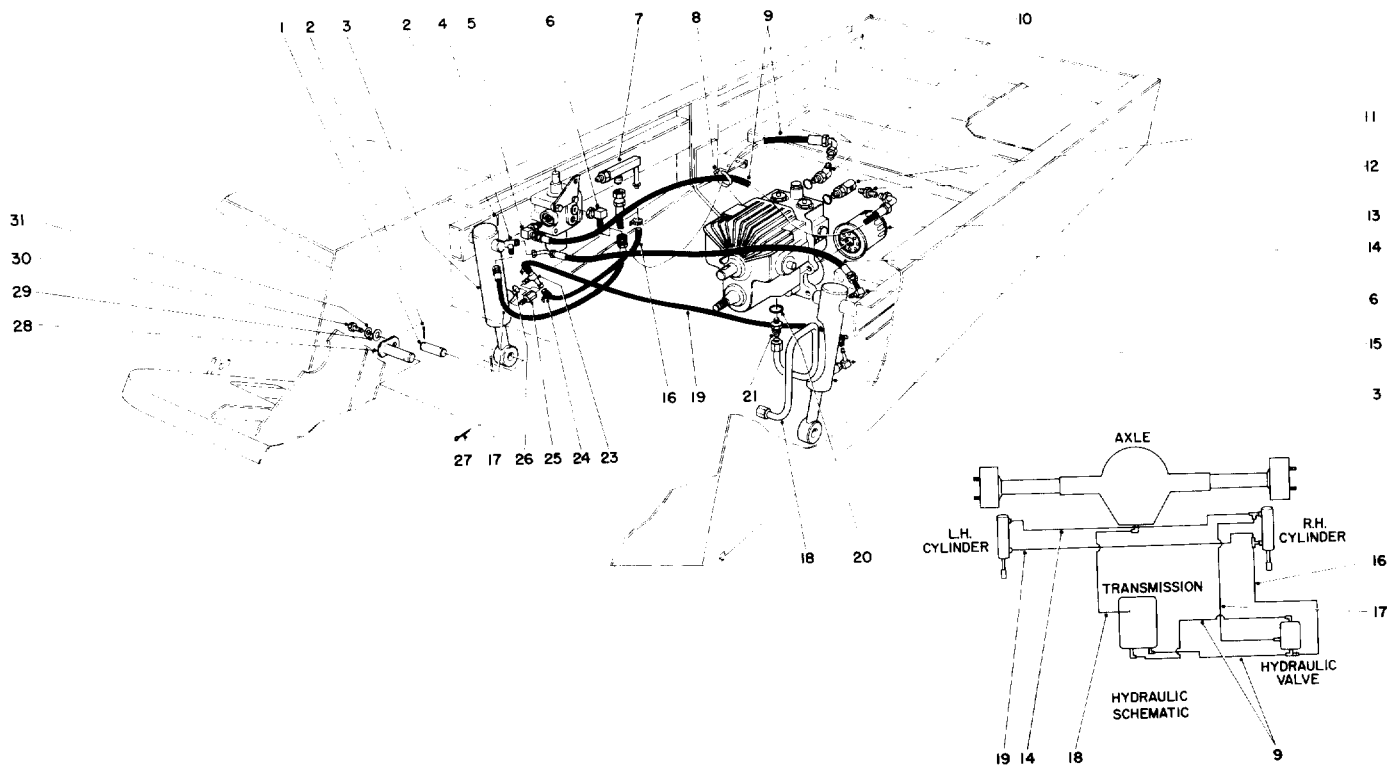
Ref. No.	Part No.	Description	No. Used
12	323-39	Capscrew	1
13	29-9800	Mounting Bracket	1
14	29-9760	Pump Plate	1
15	29-9840	Washer – Thrust	2
16	3296-3	Locknut	2
17	322-17	Capscrew	1
18	321-4	Capscrew	2
19	29-6150	Leaf Spring	1
20	3296-29	Locknut	1
21	251-259	Ball Bearing	1



TRANSMISSION ASSEMBLY 27-3670

Ref. No.	Part No.	Description	No. Used
1	32151-46	Retaining Ring	2
2	25-2500	Trunnion Shaft	1
3	25-2510	Washer	2
4	28-3300	Roller Bearing	1
5	28-3310	Needle Bearing	2
6	32-9240	Housing	1
7	25-3210	Lip Seal	2
8	28-3670	Trunnion Shaft	1
9	28-3660	Lip Seal	1
10	28-3650	Ball Bearing	1
11	28-3640	Pump Shaft	1
12	28-3630	Variable Swashplate	1
13	32121-91	Pin	3
14	28-3610	Thrust Plate	1
15	25-2600	Cylinder Block Kit	2
16	28-3600	Pump Valve Plate	1
17	25-3300	Needle Bearing	2
18	28-3590	"O" Ring	2
19	28-3580	Back Up Ring	2
20	28-3570	"O" Ring	2
21	40-6700	Check Valve Assembly (Incl. Ref. #18-20)	2
22	25-2460	Hex Hd. Plug	2
24	25-2470	Shim Pack	A/R
25	25-2570	Relief Valve Spring Imp.	1
27	323-10	Capscrew	4
28	28-3530	Capscrew	2
29	28-3520	"O" Ring	1

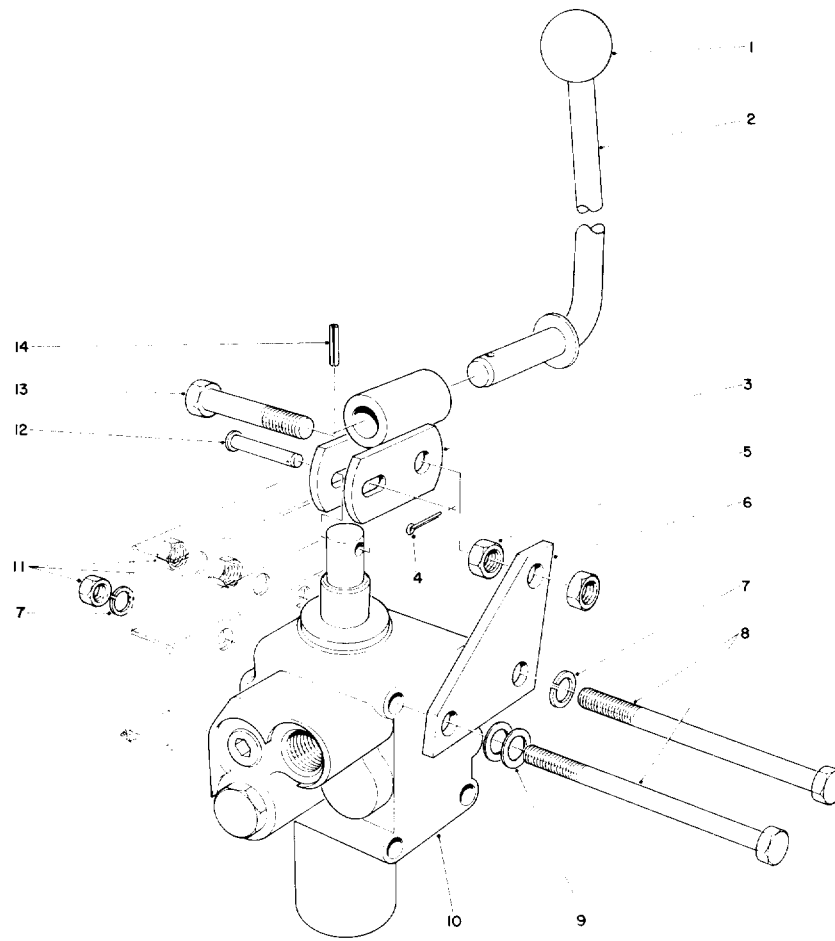
Ref. No.	Part No.	Description	No. Used
30	38-2680	Pin	1
31	252-63	Needle Bearing	1
32	28-3470	Lip Seal	1
33	324-23	Hex Hd. Capscrew	2
34	28-3450	Flat Washer	2
35	38-2670	Charge Pump Kit (Incl. Ref. #29-32)	1
37	25-2660	Filter Union	1
38	38-2690	Center Section	1
39	28-3430	Plastic Plug	1
40		"O" Ring	2
41	28-3440	Threaded Plug (Incl. Ref. #40)	2
42	28-3420	Relief Valve Cone Chg.	2
43	25-2480	Relief Valve Spring Chg.	1
45	28-3400	"O" Ring	2
47	28-3380	Motor Valve Plate	1
48	25-2430	Pin	2
49	28-3370	Swashplate	1
50	28-3360	Motor Shaft	1
51	28-3350	Pin	2
52	28-3340	Gasket	1
53	28-3320	12 Point Capscrew	2
54	323-8	Capscrew	1
55	323-7	Capscrew	1
56	3257-5	Woodruff Key	2
57	285-17	Pipe Plug	4



HYDRAULIC VALVE AND LIFT ARM AND CYLINDERS

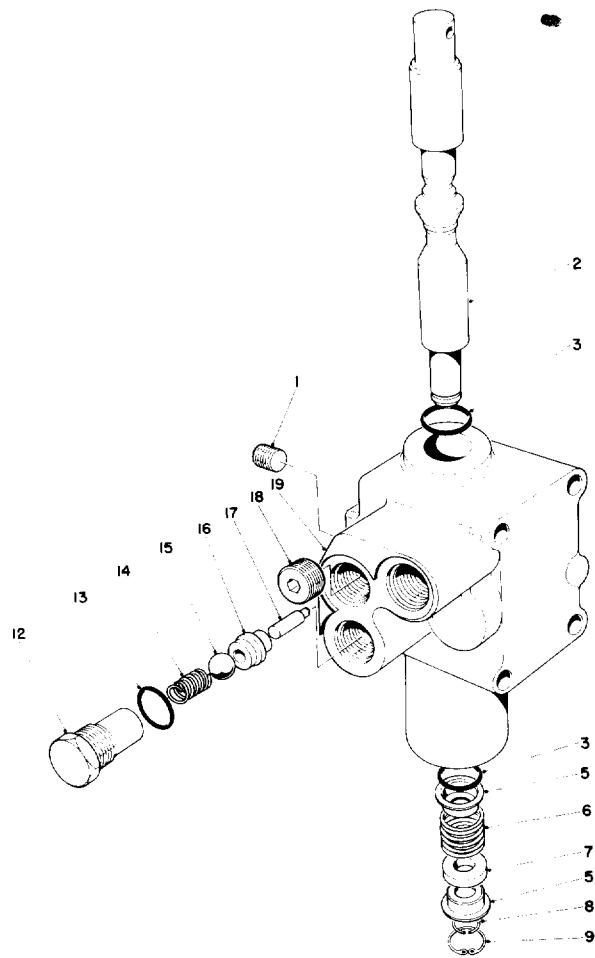
Ref. No.	Part No.	Description	No. Used
1	27-4240	Pin Cylinder	2
2	3272-23	Cotter Pin	6
3	27-2510	Hydraulic Cylinder	2
4	353-566	Fitting Adjustment Tee	1
5	353-374	90° Elbow	1
6	353-375	90° Elbow	2
7	38-2550	Fitting Assembly	1
8	3290-378	Plastic Ty-On	3
9	38-2560	Hose Transmission To Valve	2
10	353-212	Fitting	1
11	36-7960	Fitting Special	1
12	353-678	Adapter	1
13	23-2300	Oil Filter	1
14	27-5010	Hose Cylinder Connector	1
15	304-99	90° Barb Hose Stem	1
16	27-4490	Hose Low Pressure	1

Ref. No.	Part No.	Description	No. Used
17	27-5020	Hose – Cylinder Tee To Valve	1
18	27-3760	Hydraulic Tube	1
19	27-4480	Hose Low Pressure	1
20	237-80	O-Ring	1
21	353-385	Fitting	1
23	353-567	Fitting Male Tee	1
24	2412-36	Clamp Worm Drive	4
25	353-565	Fitting – Connector	1
26	237-78	O-Ring	1
27	3272-17	Cotter Pin	2
28	27-4310	Pivot Pin	2
29	3256-22	Flat Washer	2
30	321-2	Capscrew	2
31	3253-3	Lockwasher	2



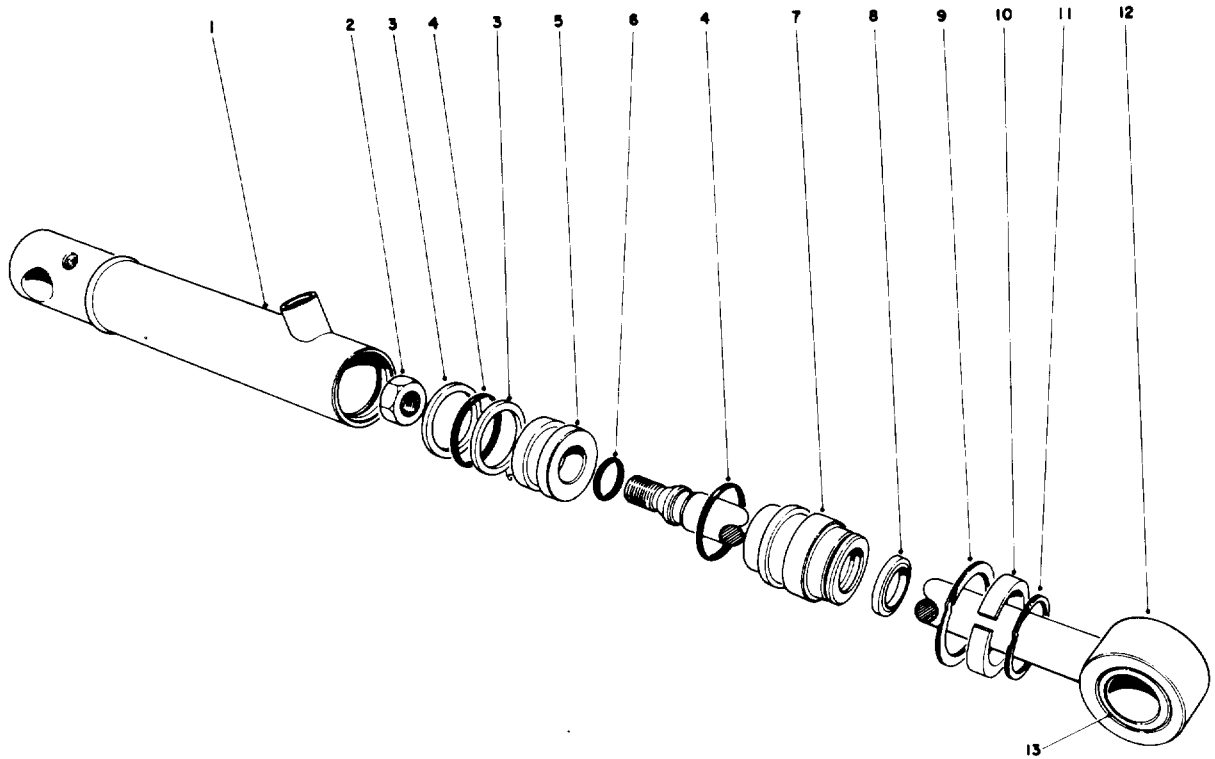
VALVE AND LEVER ASSEMBLY

Ref. No.	Part No.	Description	No. Used	Ref. No.	Part No.	Description	No. Used
1	233-39	Knob	1	8	321-34	Capscrew	3
2	27-4200	Valve Lever	1	9	3256-22	Flat Washer	2
3	27-4220	Valve Lever Link	1	10	43-1700	Valve	1
4	3272-6	Cotter Pin	1	11	3217-5	Nut	4
5	3218-1	Jam Nut	2	12	283-17	Clevis Pin	1
6	27-4230	Bracket Valve	1	13	321-10	Capscrew	1
7	3253-3	Lockwasher	4	14	32121-73	Roll Pin	1



VALVE ASSEMBLY NO. 43-1700

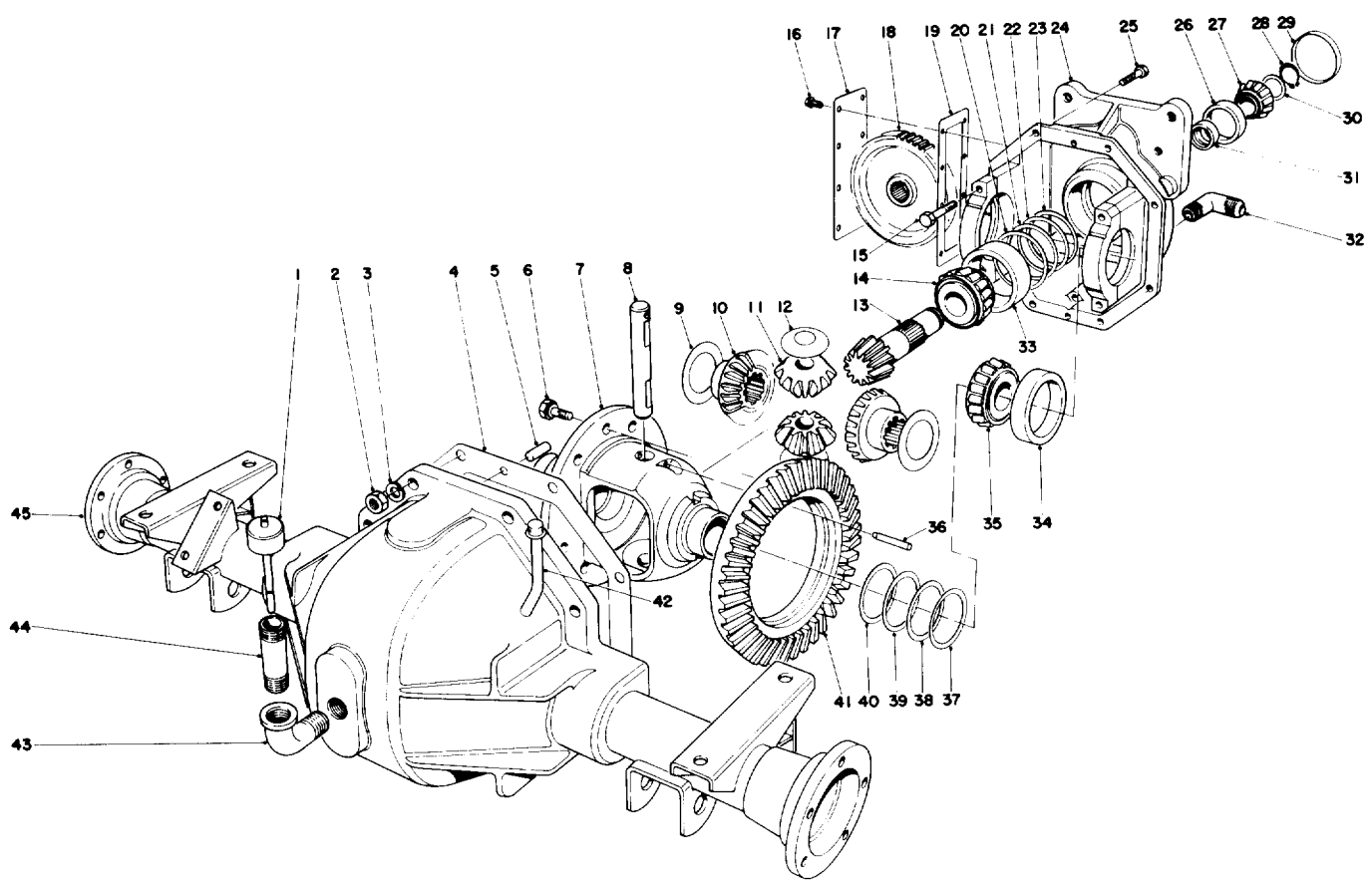
Ref. No.	Part No.	Description	No. Used	Ref. No.	Part No.	Description	No. Used
1	28-1120	Plug	1	12	22-8330	Plug	1
2	27-5210	Spool	1	13	237-42	O-Ring	1
3	22-8500	O-Ring	2	14	22-8340	Spring	1
5	22-8380	Retainer – Spring	2	15	22-8350	Ball	1
6	22-8410	Spring	1	16	22-8370	Seat – Check Valve	1
7	27-5200	Float Spacer	1	17	22-8360	Pin Cam	1
8	22-8480	Snap Ring – Spool	1	18	28-1130	Plug	1
9	22-8490	Snap Ring	1	19	43-1730	Body	1



HYDRAULIC CYLINDER 27-2510

Ref. No.	Part No.	Description	No. Used
1	353-568	Tube Assembly	1
2	†	Jam Nut	1
3	†	Back Up Washer	2
4	†	O-Ring Piston	2
5	353-457	Piston	1
6	†	Seal Rod	1
7	353-470	Head Assembly	1
8	†	Rod Wiper	1

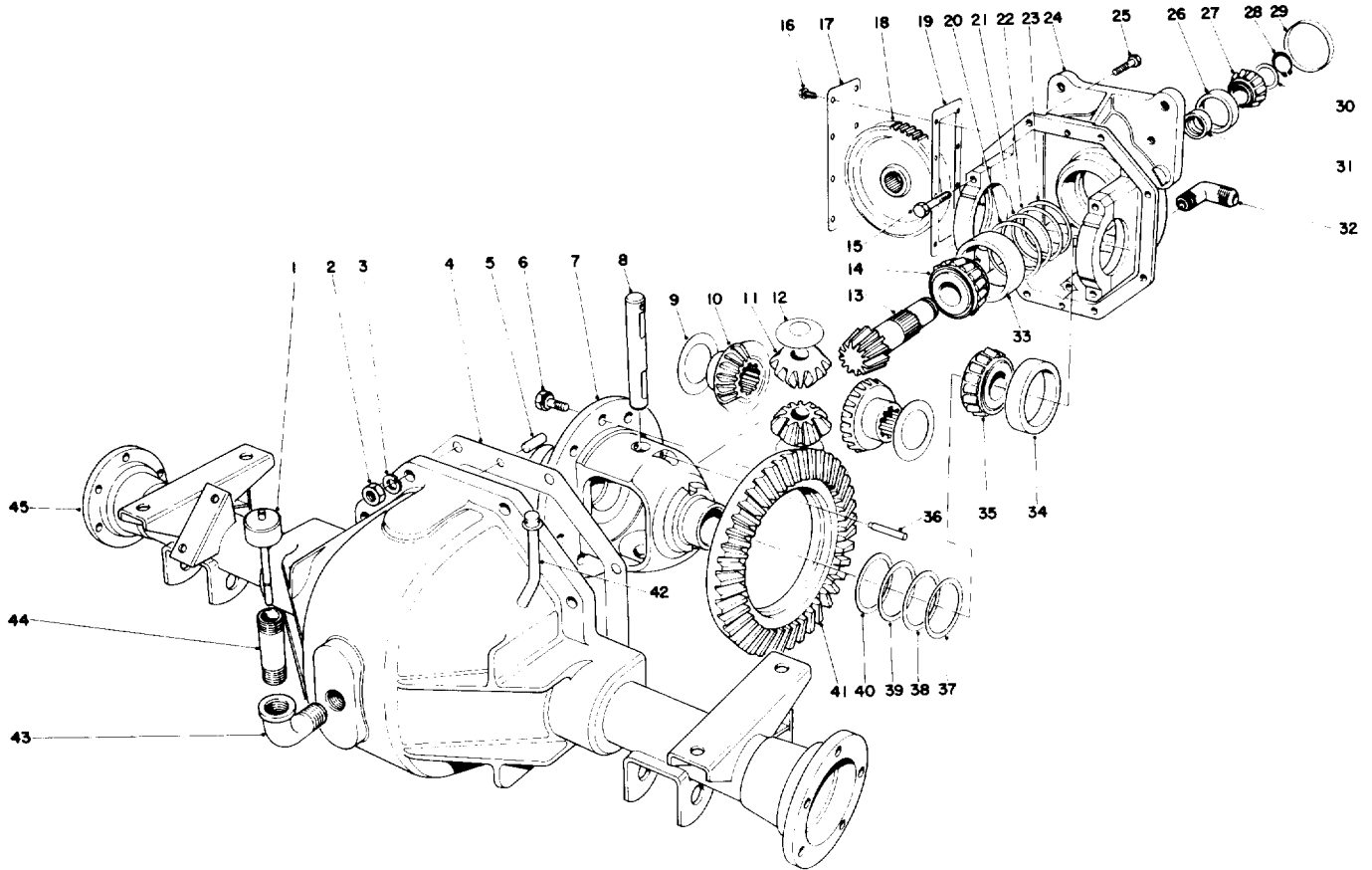
Ref. No.	Part No.	Description	No. Used
9	†	Lock Ring Head	1
10	353-454	Spacer	1
11	353-455	Lock Ring Spacer	1
12	353-456	Rod Assembly	1
13	353-458	Bushing	1
†	353-439	Seal Repair Kit (Incl. Ref. #2-4, 6 & 8-9)	1



DIFFERENTIAL ASSEMBLY

Ref. No.	Part No.	Description	No. Used	Ref. No.	Part No.	Description	No. Used
1	27-3710	Dipstick	1	24	32-8780	Upper Housing Assembly	1
2	3219-2	Nut	8	25	28-0660	Capscrew	8
3	3255-8	Lockwasher	8	26	254-90	Bearing Cup	1
4	21-8280	Housing Gasket	1	27	21-8010	Bearing Cone	1
5	21-8270	Dowel Pin	2	28	32120-32	Retaining Ring	1
6	21-7770	Drive Gear Screw	10	29	21-7850	Cup Plug	1
7	21-7670	Differential Case	1	30	21-7870	Pin Bearing Shim Front (.031)	A/R
8	21-7700	Pinion Mate Shaft	1	*	21-7880	Pin Bearing Shim Front (.033)	A/R
9	21-7720	Thrust Washer	2	*	21-7890	Pin Bearing Shim Front (.035)	A/R
10	24-8790	Differential Bevel Side Gear	2	*	21-7900	Pin Bearing Shim Front (.037)	A/R
11	21-7690	Pinion Gear	2	*	21-7910	Pin Bearing Shim Front (.039)	A/R
12	21-7730	Thrust Washer	2	*	21-7920	Pin Bearing Shim Front (.041)	A/R
13		Drive Pinion (Incl. Ref. # 41)	1	*	21-7930	Pin Bearing Shim Front (.043)	A/R
14	21-8080	Tapered Roller Bearing Cone	1	*	21-7940	Pin Bearing Shim Front (.045)	A/R
15	324-23	Capscrew	4	*	21-7950	Pin Bearing Shim Front (.047)	A/R
16	12-5450	Thread Forming Screw	8	*	21-7960	Pin Bearing Shim Front (.049)	A/R
17	21-7830	Gear Cover	1	*	21-7970	Pin Bearing Shim Front (.051)	A/R
18	21-8150	Spur Gear	1	*	21-7980	Pin Bearing Shim Front (.053)	A/R
19	21-7820	Gasket — Gear Cover	1	*	21-7990	Pin Bearing Shim Front (.055)	A/R
20	21-8030	Pin Bearing Shim .003	A/R	*	21-8000	Pin Bearing Shim Front (.057)	A/R
21	21-8040	Pin Bearing Shim .005	A/R	31	21-8020	Front Pinion Bearing Spacer	1
22	21-8050	Pin Bearing Shim .010	A/R	32	353-533	Fitting 90° Elbow	1
23	21-8060	Pin Bearing Shim .030	A/R	33	21-8070	Tapered Roller Bearing Cup	1

*Not Illustrated

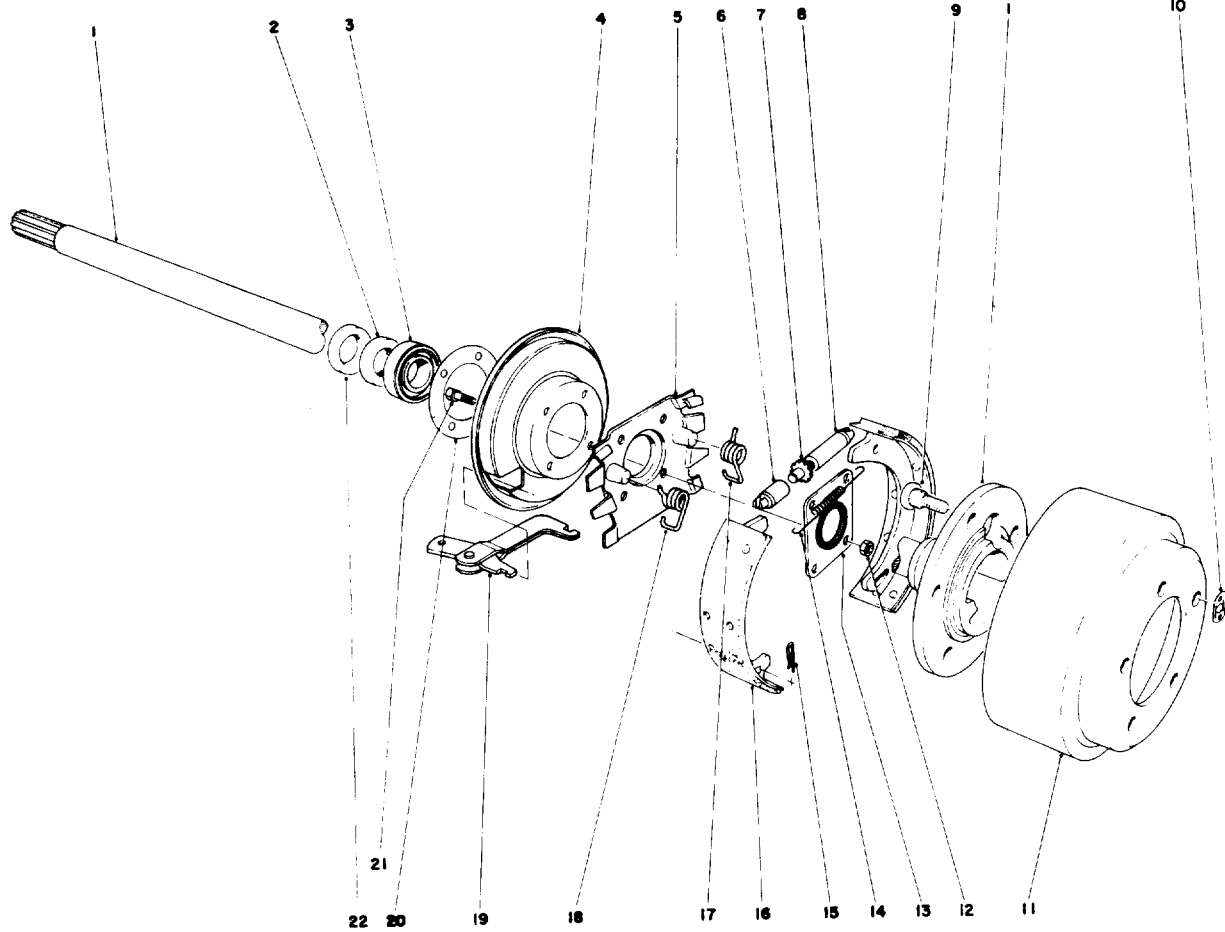


DIFFERENTIAL ASSEMBLY (Continued)

Ref. No.	Part No.	Description	No. Used
34	254-66	Cup – Tapered Bearing	2
35	254-65	Cone – Tapered Bearing	2
36	21-7710	Roll Pin	1
37	21-8090	Differential Adjust. Shim .003	A/R
38	21-8100	Differential Adjust. Shim .005	A/R
39	21-8110	Differential Adjust. Shim .010	A/R
40	21-8120	Differential Adjust. Shim .030	A/R

Ref. No.	Part No.	Description	No. Used
41		Ring Gear	1
42	21-8230	Vent Tube Assembly	1
43	2811-9	Street Elbow 90°	1
44	289-38	Pipe Nipple	1
*	21-7740	Gear & Pinion Assembly (Incl. Ref. # 13 & 41)	1
45	27-6820	Lower Housing Assembly	1

*Not Illustrated

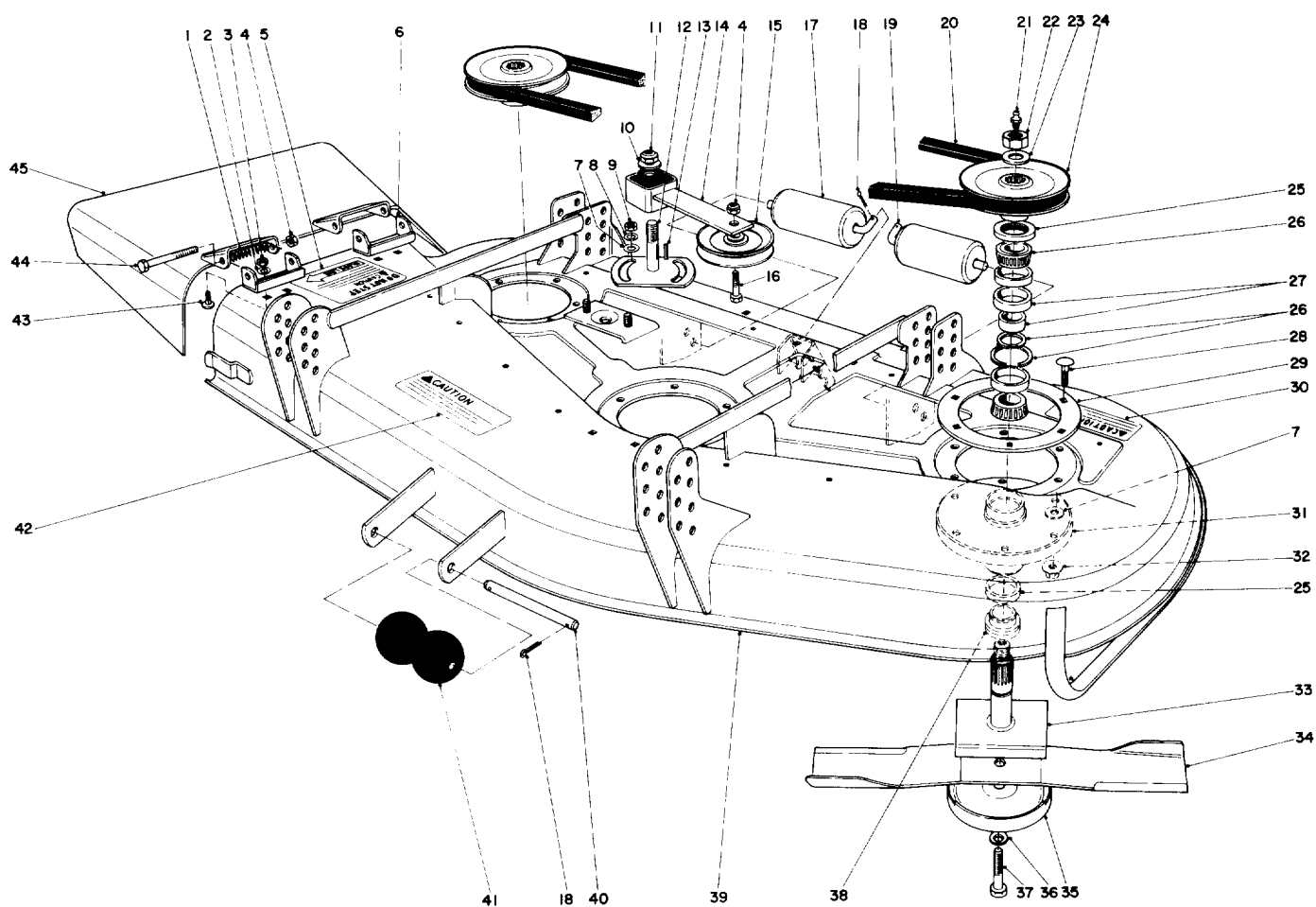


BRAKE ASSEMBLY

Ref. No.	Part No.	Description	No. Used
1	27-6860	Axle Shaft Flanged L.H.	1
*	27-6850	Axle Shaft Flanged R.H.	1
2	21-8330	Oil Seal	2
3	21-8180	Bearing – Tapered Roller	2
4	21-9450	Dust Shield	2
5	40-2190	Torque Spider	2
6	21-9390	Socket – Adjusting Screw	2
7	21-9370	Adjusting Screw	2
8	21-9380	Pivot Nut	2
9	242-34	Axle Flange Stud	10
10	21-8360	Clip Retaining	2
11	28-0680	Brake Drum	2

Ref. No.	Part No.	Description	No. Used
12	32152-5	Locknut	8
13	28-0670	Oil Seal	2
14	21-9440	Spring – Adjusting Screw	2
15	21-9460	Retainer – Parking Brake Lever	4
16	21-9470	Shoe & Lining Ass'y (2 Shoes)	2
17	21-9420	Spring – Shoe Return L.H.	2
18	21-9430	Spring – Shoe Return R.H.	2
19	27-6880	Strut & Lever Parking Brake	2
20	21-8320	Gasket Wheel Bearing	2
21	28-0660	Capscrew	8
22	24-8840	Ring Wheel Bearing	2

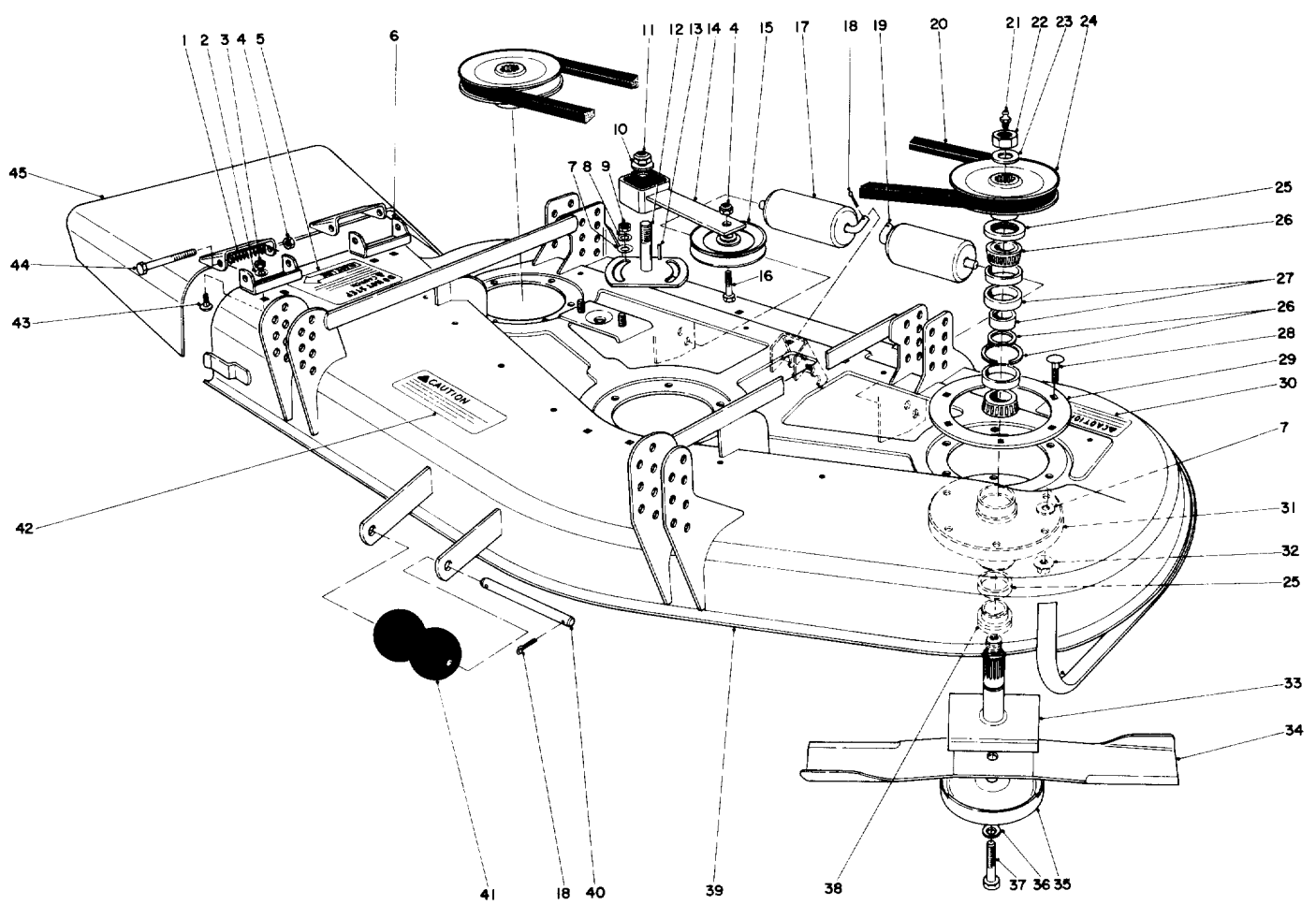
*Not Illustrated



CUTTING UNIT ASSEMBLY

Ref. No.	Part No.	Description	No. Used
1	40-6230	Spring – Torsion	2
2	3253-4	Lockwasher	4
3	3217-6	Nut	4
4	3296-5	Locknut	3
5	40-5730	Decal – Caution	1
6	29-5590	Pivot Bracket – Deflector	2
7	3256-24	Washer – Flat	20
8	3253-21	Lockwasher	2
9	3218-3	Nut – Jam	2
10	3256-27	Washer – Flat	1
11	3296-33	Locknut	1
12	28-9060	Plate – Idler	1
13	5-1077	Key Square	1
14	27-8580	Idler Socket	1
15	27-1080	Pulley – Idler	1

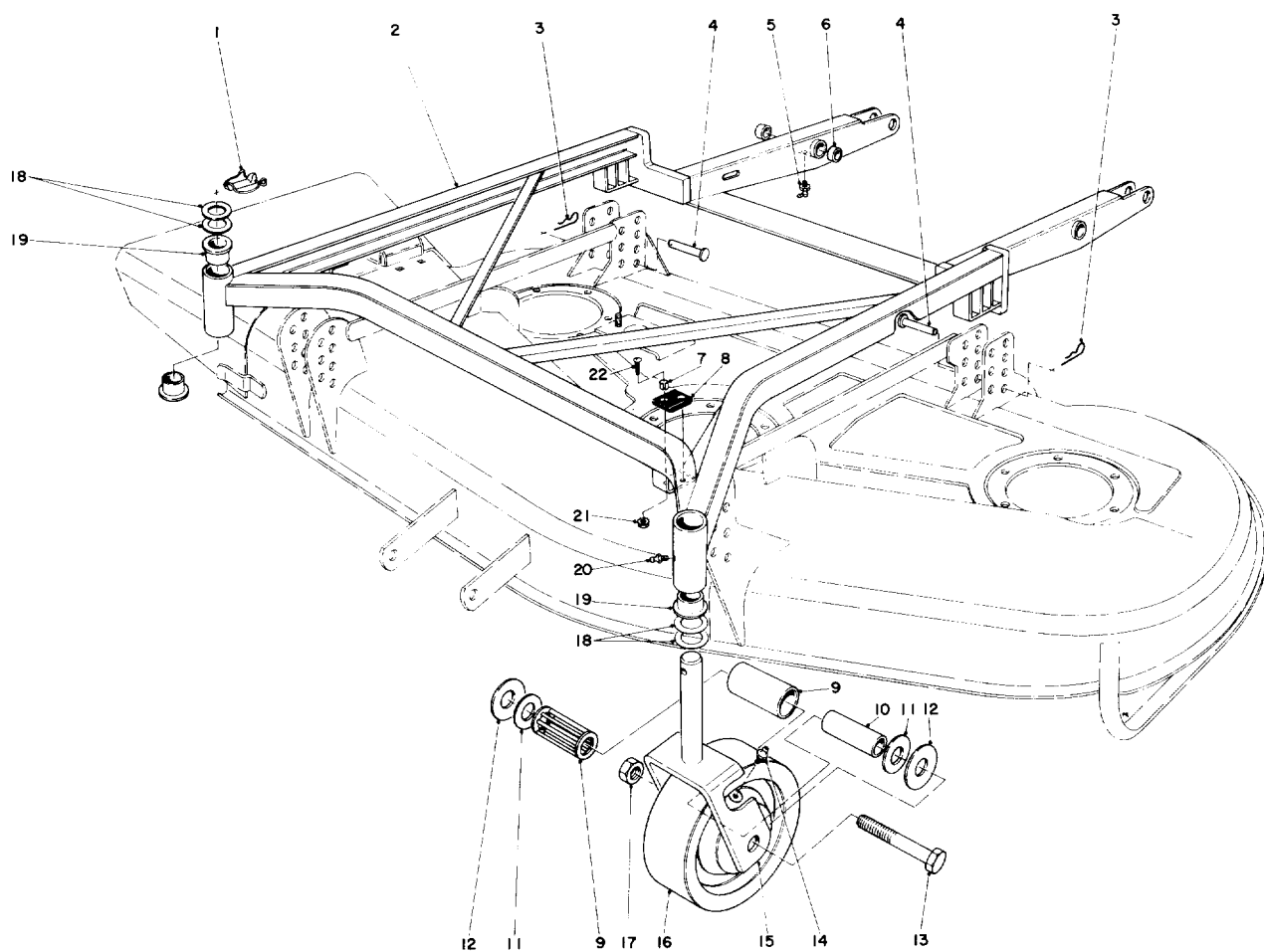
Ref. No.	Part No.	Description	No. Used
16	3211-6	Capscrew	1
17	36-1740	Roller – Deck	2
18	3272-11	Cotter Pin	4
19	40-0340	Shaft – Rear Roller	2
20	27-1160	V-Belt	1
21	302-2	Grease Fitting	3
22	32146-20	Locknut	3
23	7-4150	Washer	3
24	27-0970	Pulley	3
25	253-139	Seal – Wave	6
26	27-0960	Bearing (Matched Set of Two)	3
27	27-5970	Spacer – Matched Set	3
28	3231-22	Carriage Bolt	18
29	27-7680	Ring – Deck Support	3
30	26-7970	Decal – Caution	1



CUTTING UNIT ASSEMBLY (Continued)

Ref. No.	Part No.	Description	No. Used
31	27-0880	Spindle Housing	3
32	32128-21	Locknut – Flange	18
33	27-0920	Spindle Shaft	3
34	27-0990	Blade	3
35	27-1000	Anti-Scalp Cup	3
36	3253-27	Lockwasher	3
37	3213-22	Capscrew	3
38	27-0950	Spacer – Spindle Bearing	3

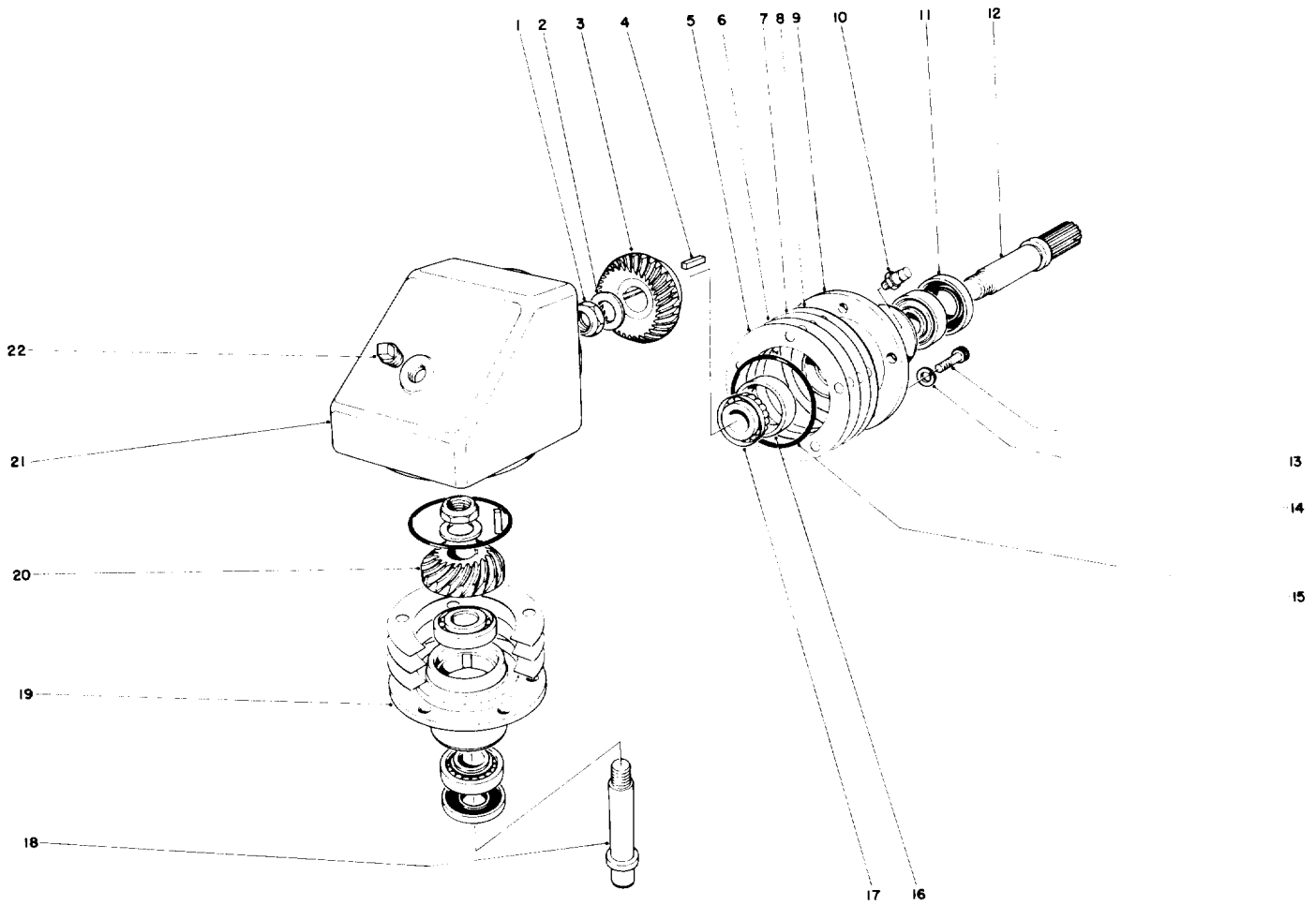
Ref. No.	Part No.	Description	No. Used
39	40-0020	Cutting Deck	1
40	40-6400	Shaft – Roller	1
41	29-4820	Roller	2
42	26-7960	Decal – Caution	1
43	3230-20	Carriage Bolt	4
44	3211-15	Capscrew	2
45	40-6200	Grass Deflector	1



DECK SUSPENSION ASSEMBLY

Ref. No.	Part No.	Description	No. Used
1	3290-384	Lynch Pin	2
2	40-0180	Frame – Deck Suspension (Incl. Ref. #5-6 & 19)	
3	3290-355	Pin – Hair	4
4	283-55	Pin Clevis	4
5	302-40	Grease Fitting	2
6	256-101	Bushing	4
7	40-9520	Spacer – Split	4
8	40-0330	Cushion – Rubber	2
9	27-1210	Roller Bearing	2
10	27-1200	Spanner Bushing	2
11	27-1180	Bearing Retainer	4

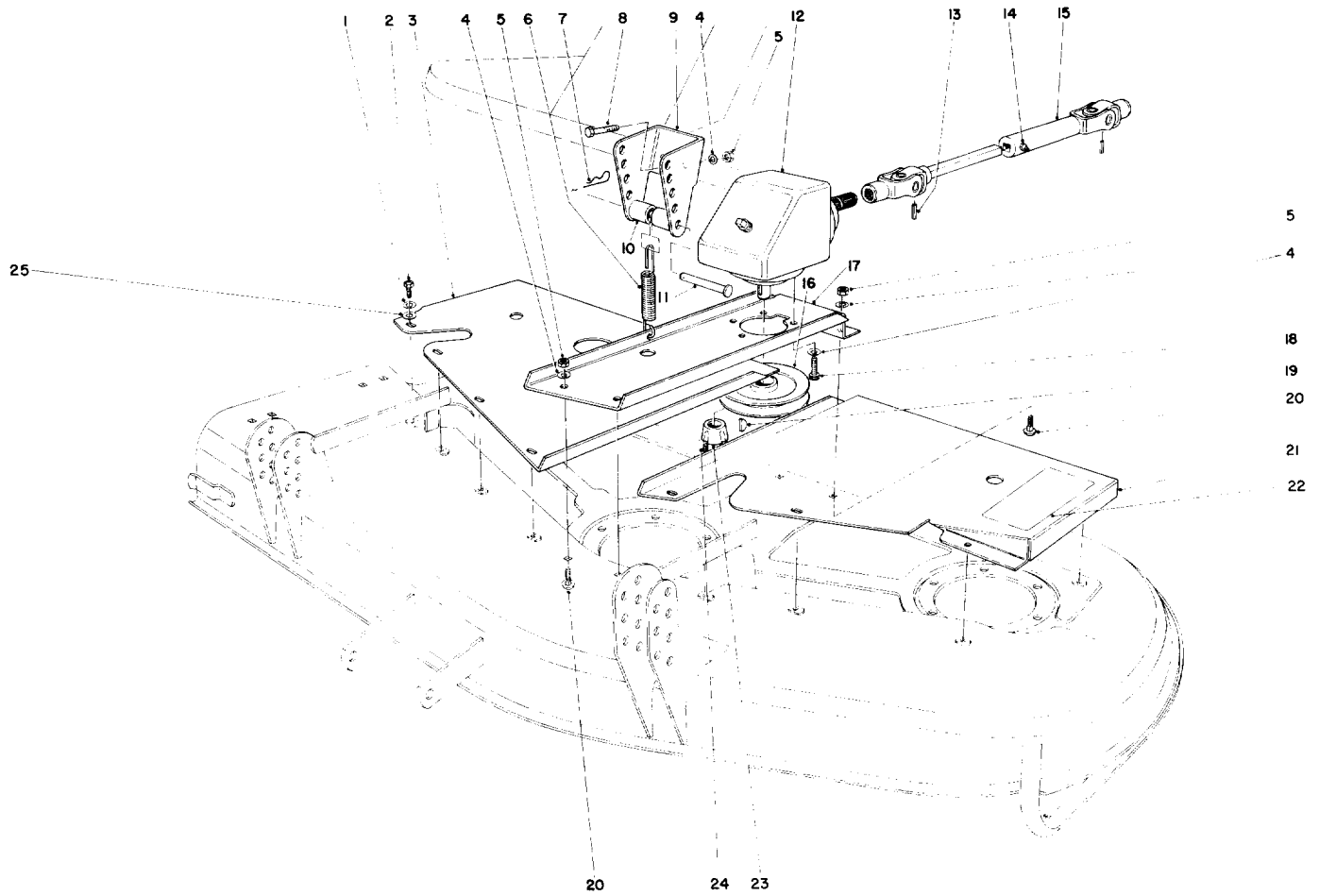
Ref. No.	Part No.	Description	No. Used
12	27-1170	Thrust Washer	4
13	328-9	Capscrew	2
14	302-49	Grease Fitting	2
15	40-0370	Front Castor Fork	2
16	27-1190	Wheel	2
17	32153-6	Locknut	2
18	3-6781	Washer – Thrust	8
19	28-9290	Bushing – Special	4
20	302-5	Grease – Fitting	2
21	32149-7	Locknut	4
22	32122-44	Machine Screw Truss Head	4



GEAR BOX ASSEMBLY 8-0909

Ref. No.	Part No.	Description	No. Used
1	3296-15	Nut	2
2	3-6514	Thrust Washer	2
3	26-1340	Gear – Spiral Bevel	1
4	18-6430	Square Key	2
5	26-1350	Shim .002 Thick Red	A/R
6	26-1360	Shim .005 Thick Blue	A/R
7	26-1370	Shim .015 Thick Pink	A/R
8	33-2040	Shim .020 Thick Yellow	A/R
9	26-1290	Bearing Housing – Input	1
10	302-14	Vent Plug	1
11	253-137	Oil Seal	2
12	26-1310	Shaft – Input	1

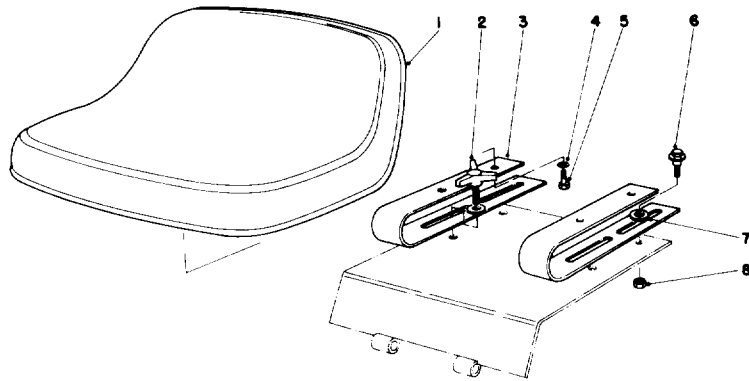
Ref. No.	Part No.	Description	No. Used
13	3274-7	Capscrew Socket Head	5
14	3253-21	Lockwasher	5
15	237-97	O-Ring	2
16	254-90	Bearing Cup	4
17	254-91	Bearing Cone	4
18	26-1320	Shaft – Output	1
19	26-1380	Bearing Housing – Output	1
20	26-1330	Pinion Spiral	1
21	26-1270	Gear Box	1
22	281-11	Pipe Plug Sq. Hd.	1



DECK COVERS AND GEAR BOX

Ref. No.	Part No.	Description	No. Used
1	3253-3	Lockwasher	11
2	32104-114	Self Tapping Screw Hex Hd.	11
3	40-0410	Cover R.H.	1
4	3253-21	Lockwasher	11
5	3217-7	Nut	6
6	40-0460	Spring – Extension	1
7	3290-355	Hair – Pin	1
8	323-10	Capscrew	2
9	40-0450	Bracket – Spring	1
10	40-0300	Spacer	1
11	283-55	Pin – Clevis	1
12	8-0909	Gear Box Assembly	1
13	32121-34	Roll Pin	2

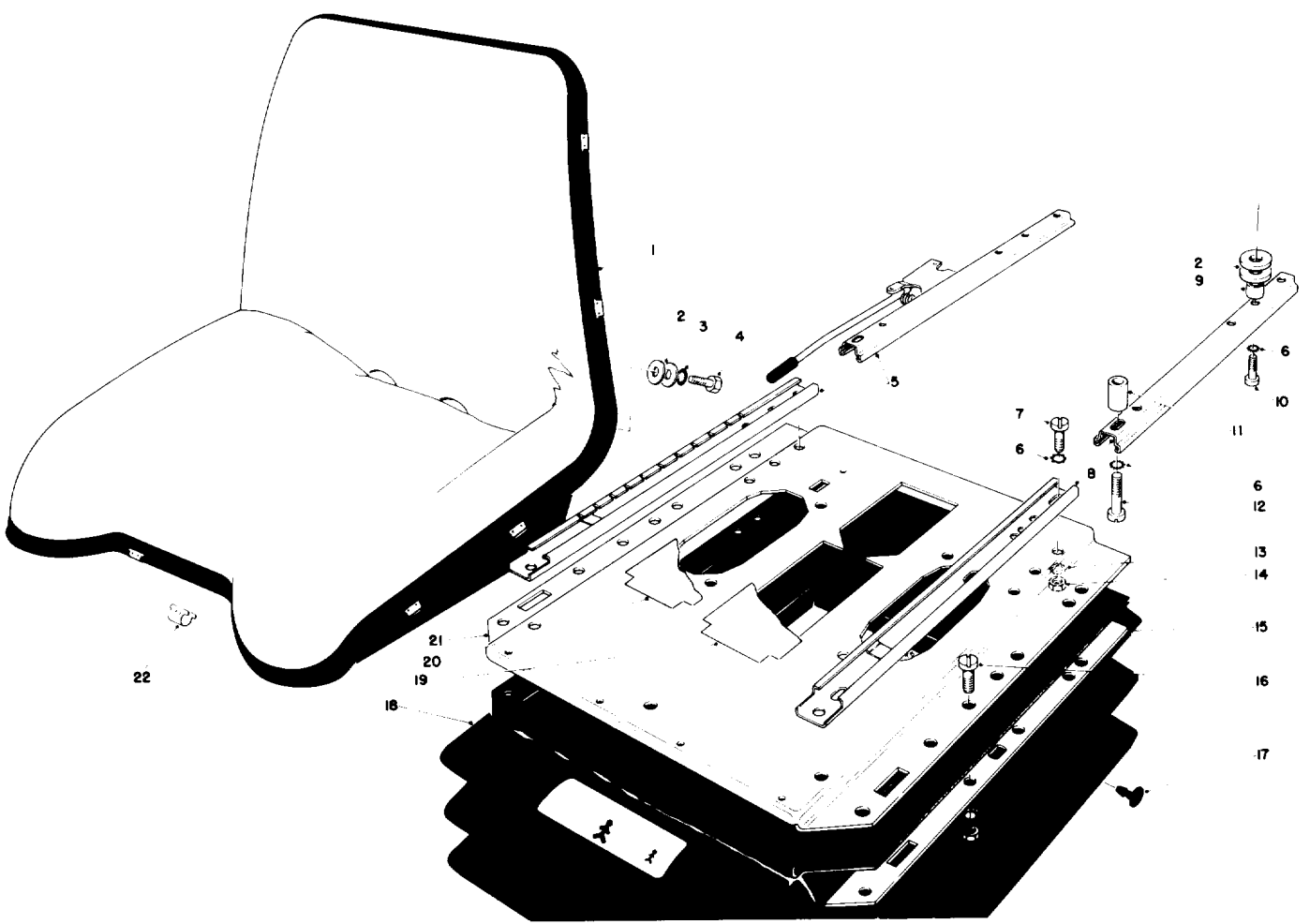
Ref. No.	Part No.	Description	No. Used
14	302-5	Grease Fitting	1
15	27-4520	Universal Drive Shaft	1
16	27-6110	Pulley – Gear Box	1
17	40-0360	Base – Gear Box	1
18	3274-1	Capscrew – Socket Hd.	5
19	3257-5	Key – Woodruff	1
20	3231-21	Carriage Bolt	4
21	40-0390	Cover L.H.	1
22	42-6860	Decal – Height of Cut	1
23	27-6140	Bushing – Taper Lock	1
24	3245-9	Set Screw – Socket Hd.	1
25	3256-22	Washer – Flat	11



STANDARD SEAT KIT MODEL NO. 30765

Ref. No.	Part No.	Description	No. Used
1	27-5170	Seat	1
2	27-4570	Adjustment Handle	2
3	38-4030	Seat Spring	2
4	3253-4	Lockwasher	4

Ref. No.	Part No.	Description	No. Used
5	322-2	Capscrew	4
6	27-5240	Bolt Shoulder	2
7	3256-26	Flat Washer	4
8	3296-39	Locknut	2

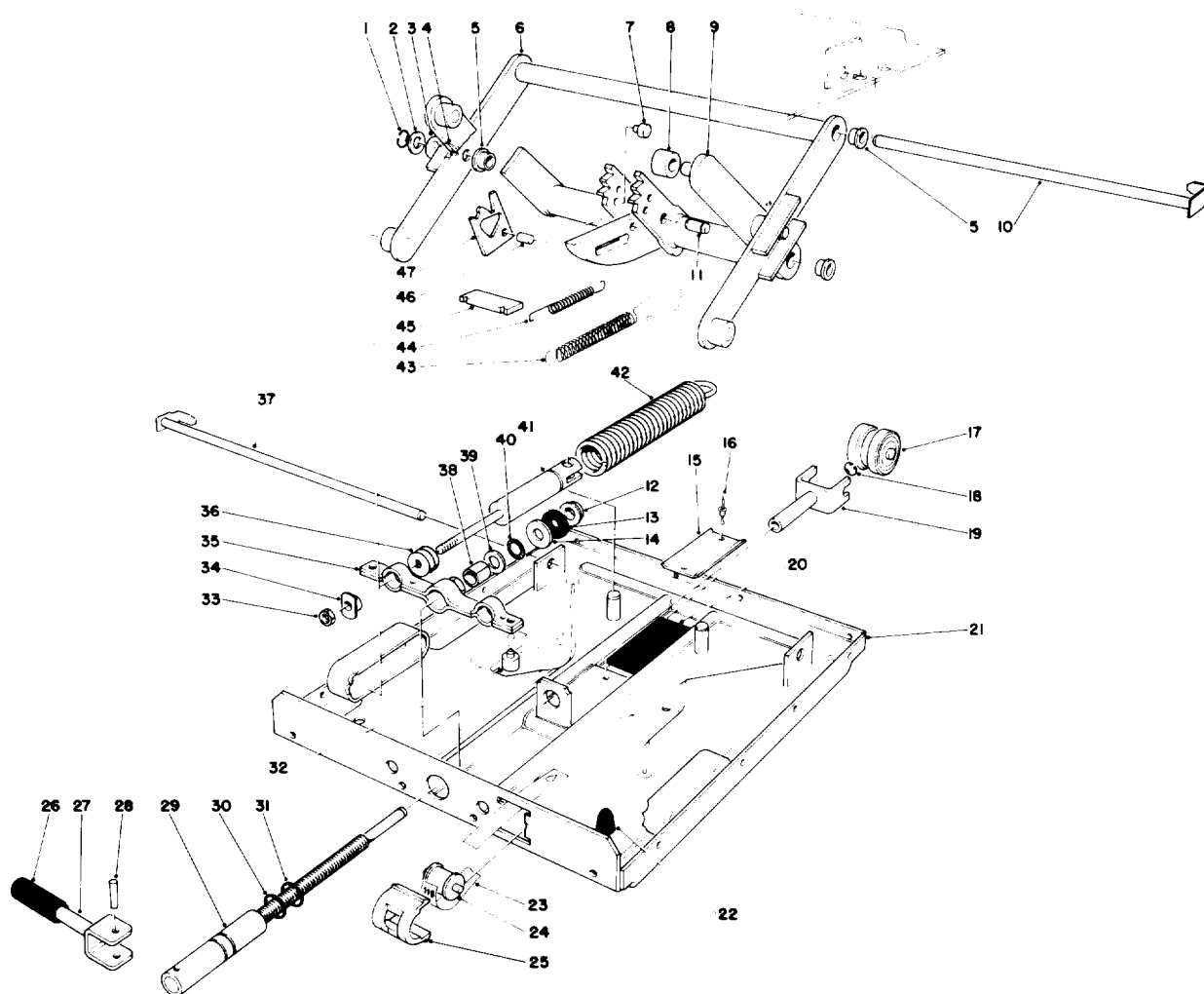


DELUXE SEAT KIT MODEL NO. 30766

Ref. No.	Part No.	Description	No. Used
1	39-5730	Seat Bucket Complete	1
2	39-5690	Washer 13 MM	8
3	39-5680	Serrated Washer	2
4	39-5670	Capscrew 7/16 - 20 U.N.F.	2
5	40-3790	Adjustment Track & Latch	1
6	40-3800	Serrated Washer	8
7	40-3810	Cylinder Bolt M8X16	4
8	40-3820	Adjustment Track	1
9	40-3830	Sleeve	2
10	40-3840	Cylinder Bolt M8X25MM	2
11	40-3850	Sleeve	2
12	40-3860	Cylinder Bolt	2

Ref. No.	Part No.	Description	No. Used
13	40-3870	Spring Washer	6
14	40-3880	Nut M8	6
15	40-3890	Trim	2
16	39-9220	Capscrew M8X16	6
17	39-5710	Plug	24
18	40-3900	Rubber Bellows	1
19	40-3910	Cover - Center	1
20	40-3920	Cover	2
21	40-3930	Upper Suspension Plate Complete	1
22	39-9540	Outside Bead Clip	13
*	37-9630	Seat ASM - Complete	1

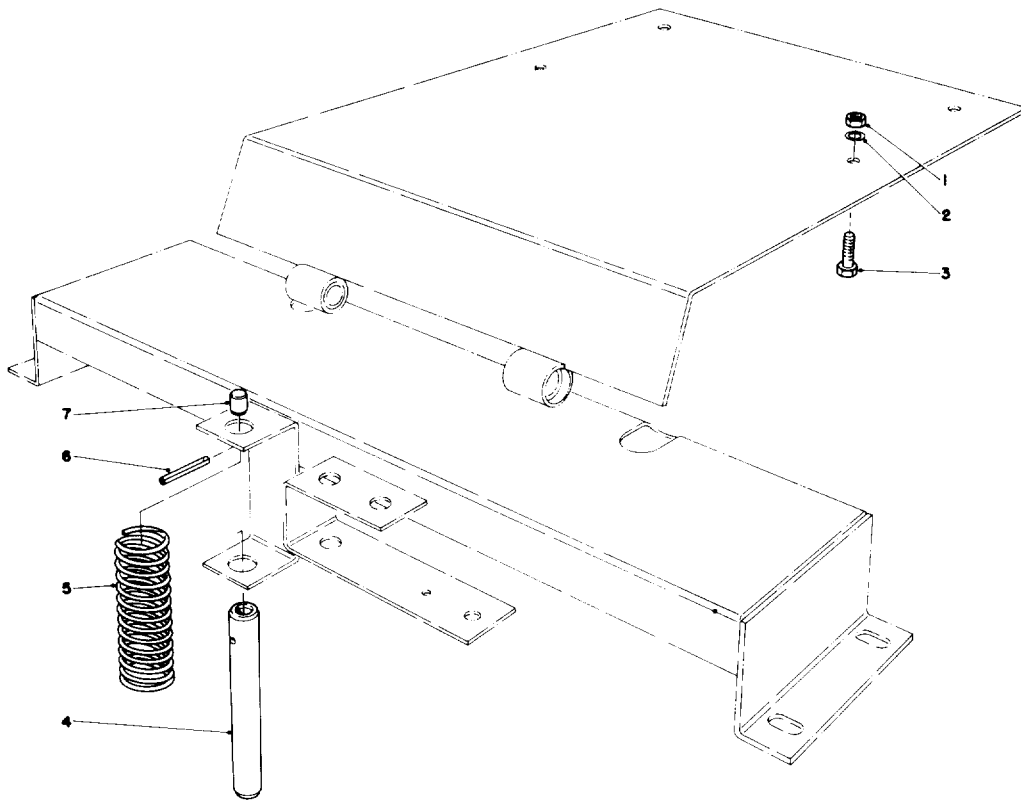
*Not Illustrated



DELUXE SEAT KIT MODEL NO. 30766 (Continued)

Ref. No.	Part No.	Description	No. Used	Ref. No.	Part No.	Description	No. Used
1	40-3950	Washer	2	23	40-4140	Weight Indicator Band	1
2	39-9500	Washer 13 MM	2	24	40-4150	Roller	1
3	40-3960	Washer	2	25	40-4160	Guide Sleeve	1
4	40-3970	Bearing Bushing	2	26	40-4170	Handle	1
5	40-3980	Bearing	4	27	40-4180	Toggle	1
6	40-3990	Swing Arm – Outside	1	28	40-4190	Grooved Pin 5X28MM	1
7	40-4000	Bolt	2	29	40-4200	Pin	1
8	40-4010	Roller	4	30	40-4210	Rubber Ring 14MM Black	1
9	40-4020	Swing Arm Inside	1	31	40-4220	Rubber Ring 14MM Red	1
10	40-4030	Pin	1	32	40-4230	Plug	1
11	40-4040	Grooved Locking Pin 08X16MM	2	33	40-4240	Nut	2
12	40-4050	Sleeve	1	34	40-4250	Weld Nut	2
13	40-4060	Rubber Washer	1	35	40-4260	Spring Bracket	1
14	40-4070	Washer 8 MM	1	36	40-4270	Threaded Rod	2
15	40-4080	U-Track	1	37	40-4280	Pin	1
16	40-4090	Plate 4X 10MM	2	38	40-4290	Sleeve 14X 1X 19MM	1
17	40-4100	Trible-Bearing	1	39	40-4300	Washer	1
18	39-9310	Retaining Ring	1	40	40-4310	Thrust Needle Bearing	1
19	40-4110	Fork	1	41	40-4320	Shock Absorber	2
20	40-4120	Rubber Plate	1	42	40-4330	Coil Spring	2
21	40-4130	Lower Suspension Plate – Complete (Incl. Ref. #15 - 16 & 20)	1	43	40-4340	Coil Spring	1
22	39-9520	Rubber Bumper	2	44	40-4350	Coil Spring	2
				45	40-4360	Plate	1
				46	40-4370	Bolt	1
				47	40-4380	Release Bracket	2

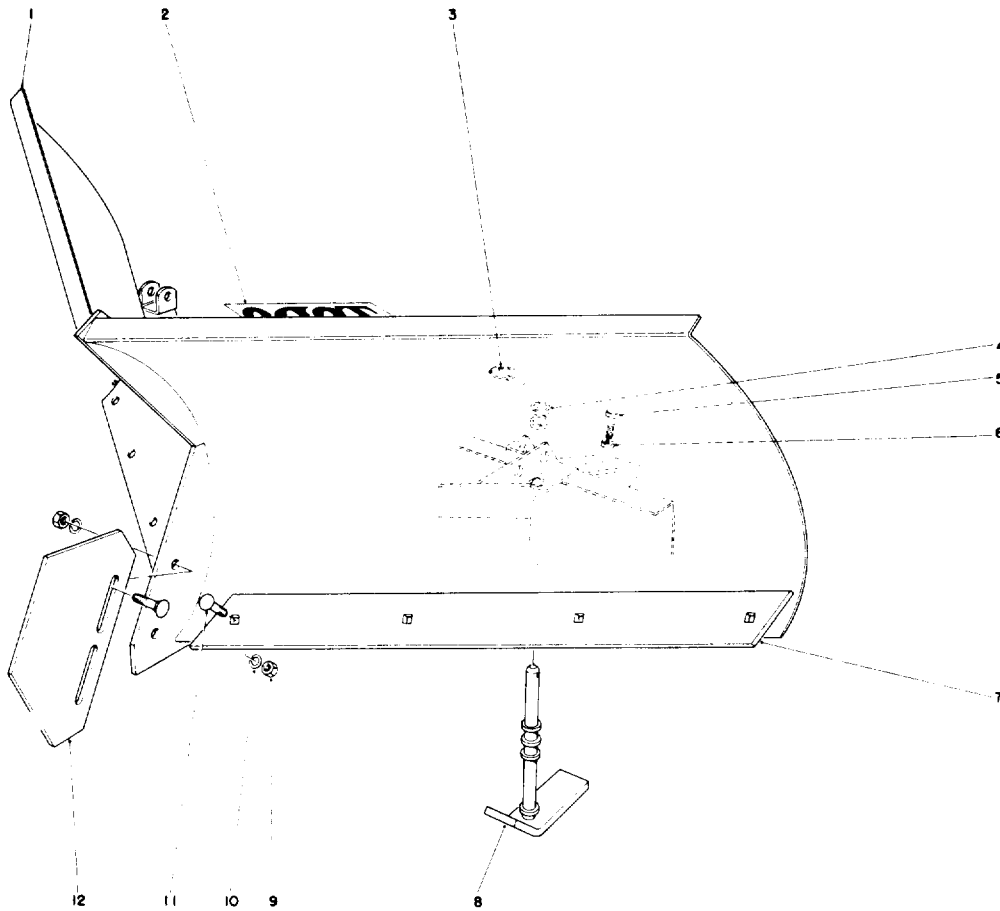
*Not Illustrated



DELUXE SEAT KIT MODEL NO. 30766 (Continued)

Ref. No.	Part No.	Description	No. Used
1	3217-6	Nut	4
2	3253-24	Lockwasher	4
3	322-3	Capscrew	4
4	27-9870	Pin — Seat Switch	1

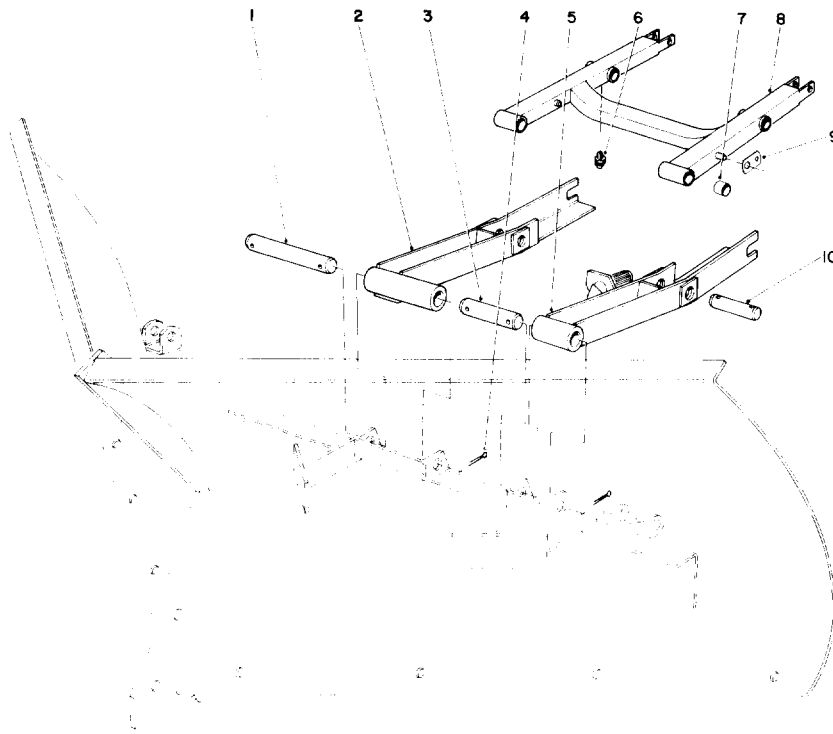
Ref. No.	Part No.	Description	No. Used
5	37-9780	Spring — Compression	1
6	32121-6	Spring — Pin	1
7	28-6180	Pin — Plastic	1



V-PLOW MODEL NO. 30750 (Optional)

Ref. No.	Part No.	Description	No. Used
1	23-9960	V-Plow	1
2	18-2180	Decal	1
3	3290-243	Lynch Pin	2
4	20-4370	Spacer Tubes	10
5	325-6	Capscrew	1
6	3218-5	Jam Nut	1

Ref. No.	Part No.	Description	No. Used
7	24-5570	Scraper Blade	2
8	24-5540	Skid	2
9	3217-9	Nut	10
10	3253-7	Lockwasher	10
11	3233-2	Carriage Bolt	10
12	24-5530	Nose Skid	1

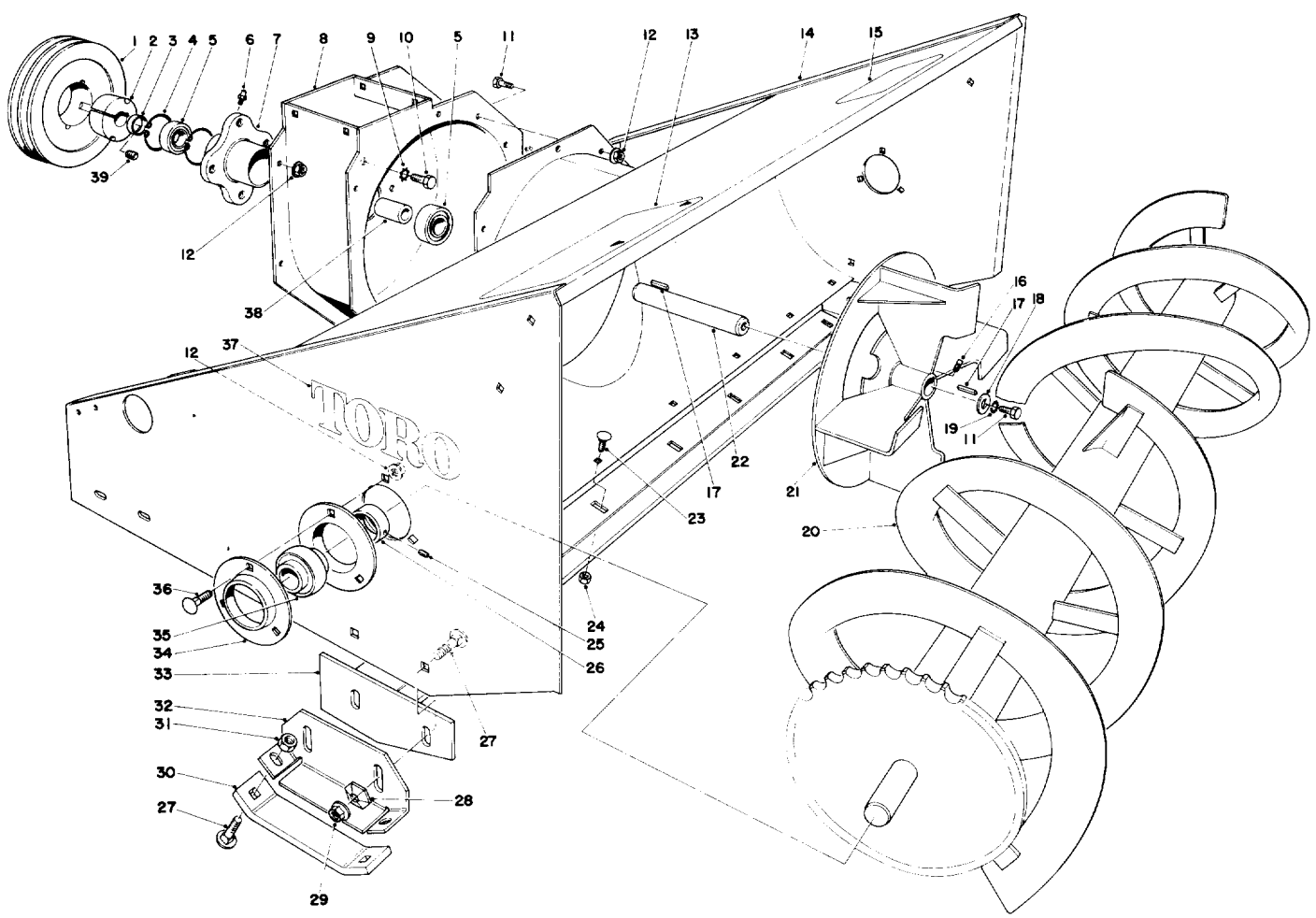


V-PLOW INSTALLATION NO. 30755 (Optional)

Ref. No.	Part No.	Description	No. Used	Ref. No.	Part No.	Description	No. Used
1	28-5490	Pin R.H.	1	7	256-101	Bushing	8
2	28-5510	Push Arm R.H.	1	8†	27-4270	Lift Arm (Incl. Ref. #6 & 7)	1
3	25-1350	Pin L.H.	1	9†	27-5270	Strap Brake Spring	2
4	3272-23	Cotter Pin	8	10	28-6460	Pin	2
5	28-5500	Push Arm L.H.	1	*	28-5470	Tire Chains	2
6	302-53	Grease Fitting	2				

*Not Illustrated

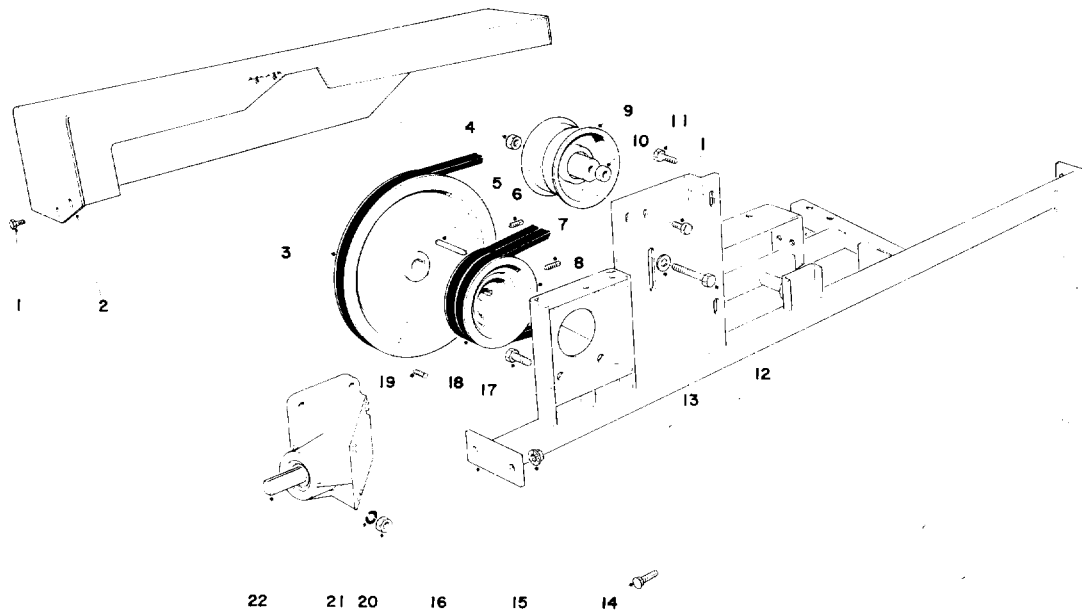
†Parts must be ordered for mounting V-Plow on Model No. 30775 order parts separately.



48" SNOWTHROWER MODEL NO. 30570

Ref. No.	Part No.	Description	No. Used
1	37-5100	Pulley Taper Lock	1
2	37-5150	Taper Lock Bushing(Incl. Ref.#39)	1
3	37-5170	Spacer	1
4	32151-20	Snap Ring	2
5	251-276	Bearing	2
6	302-11	Grease Fitting	1
7	32-4950	Housing Spindle	1
8	39-5030	Blower Housing	1
9	3255-2	Lockwasher	4
10	3213-20	Capscrew	4
11	322-3	Capscrew	9
12	32128-20	Flange Nut	16
13	39-5020	Decal – Rear Weight	1
14	39-5010	Auger Housing	1
15	29-6350	Decal – Warning	1
16	3243-1	Square Head Setscrew	2
17	31-0700	Square Key	2
18	3-6715	Flat Washer	1
19	3253-4	Lockwasher	1
20	32-6140	Auger	1

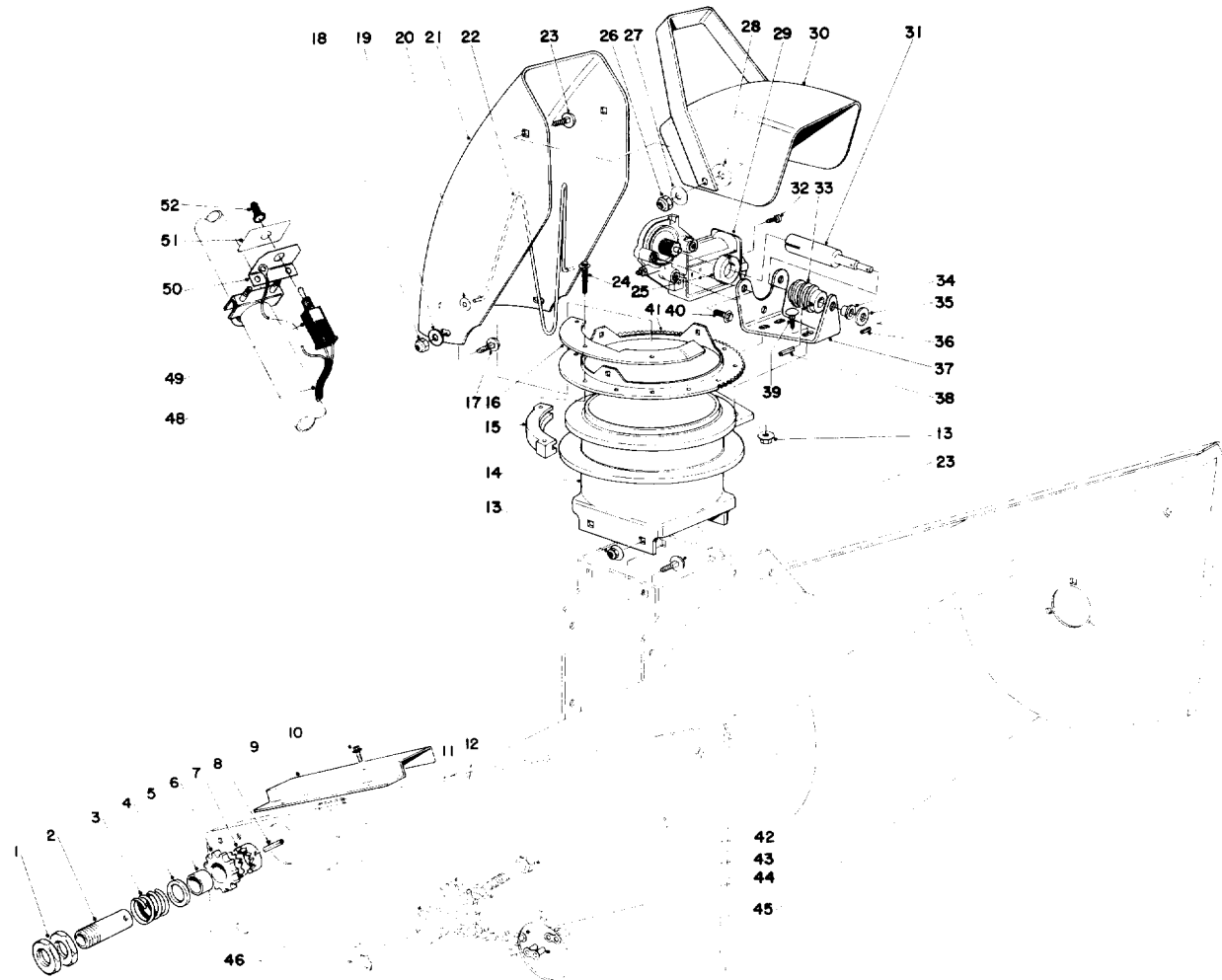
Ref. No.	Part No.	Description	No. Used
21	32-6130	Impeller	1
22	37-5240	Shaft – Impeller	1
23	3230-19	Carriage Bolt	7
24	3296-47	Locknut	7
25	3245-1	Set Screw	2
26	251-77	Locking Collar	2
27	3231-2	Carriage Bolt	8
28	3290-224	Pyramidal Lockwasher	4
29	32128-18	Flange Nut	4
30	37-5110	Skid – Shoe	2
31	32152-2	Locknut	4
32	37-4950	Skid – Mount Plate	2
33	37-5380	Scraper	1
34	251-287	Flange	4
35	251-253	Bearing (Incl. Ref. #25 & 26)	2
36	3230-18	Carriage Bolt	6
37	27-4600	Decal – Toro	2
38	31-0540	Sleeve	1
39	3247-4	Set Screw Socket Hd. Cup Point	2



48" SNOWTHROWER MODEL NO. 30570

Ref. No.	Part No.	Description	No. Used
1	3234-13	Flange Screw	4
2	37-5510	Belt Shield	1
3	32-4480	Sheave	1
4	32152-2	Locknut	1
5	3-0971	Key	1
6	3242-2	Sq. Hd. Setscrew	1
7	3242-6	Sq. Hd. Setscrew	2
8	37-5090	Pulley – Gear Box	1
9	37-5760	Idler Pulley	1
10	37-5210	Spacer – Idler	1
11	322-3	Capscrew	2

Ref. No.	Part No.	Description	No. Used
12	323-11	Capscrew	1
13	3256-3	Flatwasher	1
14	3231-30	Carriage Bolt	4
15	3290-357	Hex Locknut	4
16	37-5400	Cross Brace	1
17	323-7	Capscrew	4
18	37-5670	V-Belt (Matched Set of 2)	1
19	3242-4	Sq. Hd. Setscrew	1
20	3217-7	Hexnut	4
21	3253-21	Lockwasher	4
22	37-5410	Gear Box Assembly	1

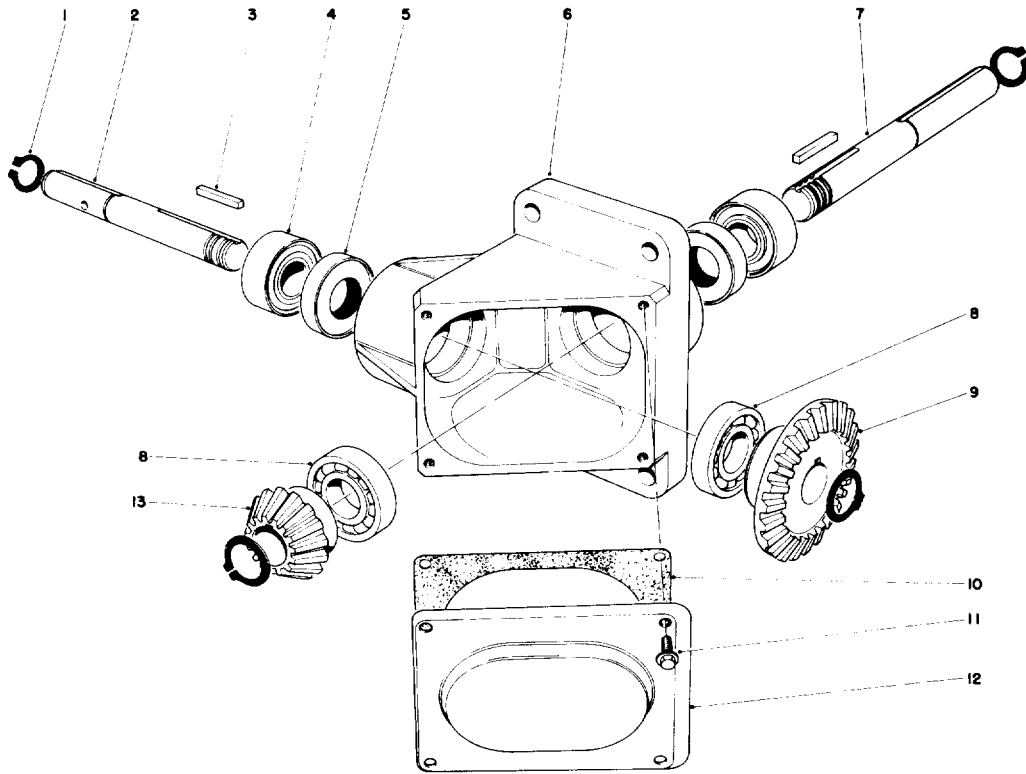


48" SNOWTHROWER MODEL NO. 30570

Ref. No.	Part No.	Description	No. Used
1		Nut – Thin	2
2		Clutch Sleeve	1
3		Spring Compression	1
4		Spacer	1
5		Bushing	1
6		Clutch Sprocket	1
7		Clutch Collar	1
8	32121-34	Roll Pin	1
9	32-1620	Chain Cover	1
10	32104-76	Self-Tapping Screw	2
11	3256-7	Flatwasher	3
12	30-0090	Idler Sprocket	1
13	3290-357	Locknut	7
14	39-4870	Chute Transition	1
15	25-5450	Swivel Block	6
16	39-4900	Stop-Chute Rotator	1
17	3230-18	Carriage Bolt	3
18	3296-47	Locknut	3
19	3256-23	Flatwasher	3
20	3290-326	Pushnut	2
21	25-5440	Upper Chute	1
22	12-2040	Chute Wire	1
23	3231-27	Carriage Bolt	6
24	27-0220	Special Screw	12
25	39-4940	Collar	1
26	32152-2	Locknut	2
27	3290-340	Belleville Washer	2

Ref. No.	Part No.	Description	No. Used
28	20-4320	Rubber Washer	2
29	39-4920	Gearmotor	1
30	11-7120	Deflector	1
31	39-4930	Shaft – Worm Gear	1
32	3274-26	Socket Head Screw	1
33	8-8600	Worm Gear	1
34	256-255	Bushing	1
35	3256-1	Flatwasher	2
36	32121-20	Roll Pin	1
37	39-4910	Motor Mount	1
38	32121-50	Roll Pin	1
39	3231-2	Carriage Bolt	3
40	3234-13	Flange Screw	3
41	39-4890	Ring – Chute Swivel	1
42	327-6	Capscrew	1
43	3253-8	Lockwasher	1
44	30-0160	Chain – Roller	1
45	2710-11	Connecting Link	1
46	30-0450	Nut Plate	1
48	39-4990	Wire Harness	1
49		Toggle Switch	1
50		Toggle Switch Mount	1
51	39-4970	Decal – Chute Rotation	1
52	218-473	Toggle Switch Boot	1
*	37-5640	Slip Clutch (Incl. Ref. #1-8)	1
*	39-4950	Toggle Switch Assembly (Incl. Ref. #49-52)	1

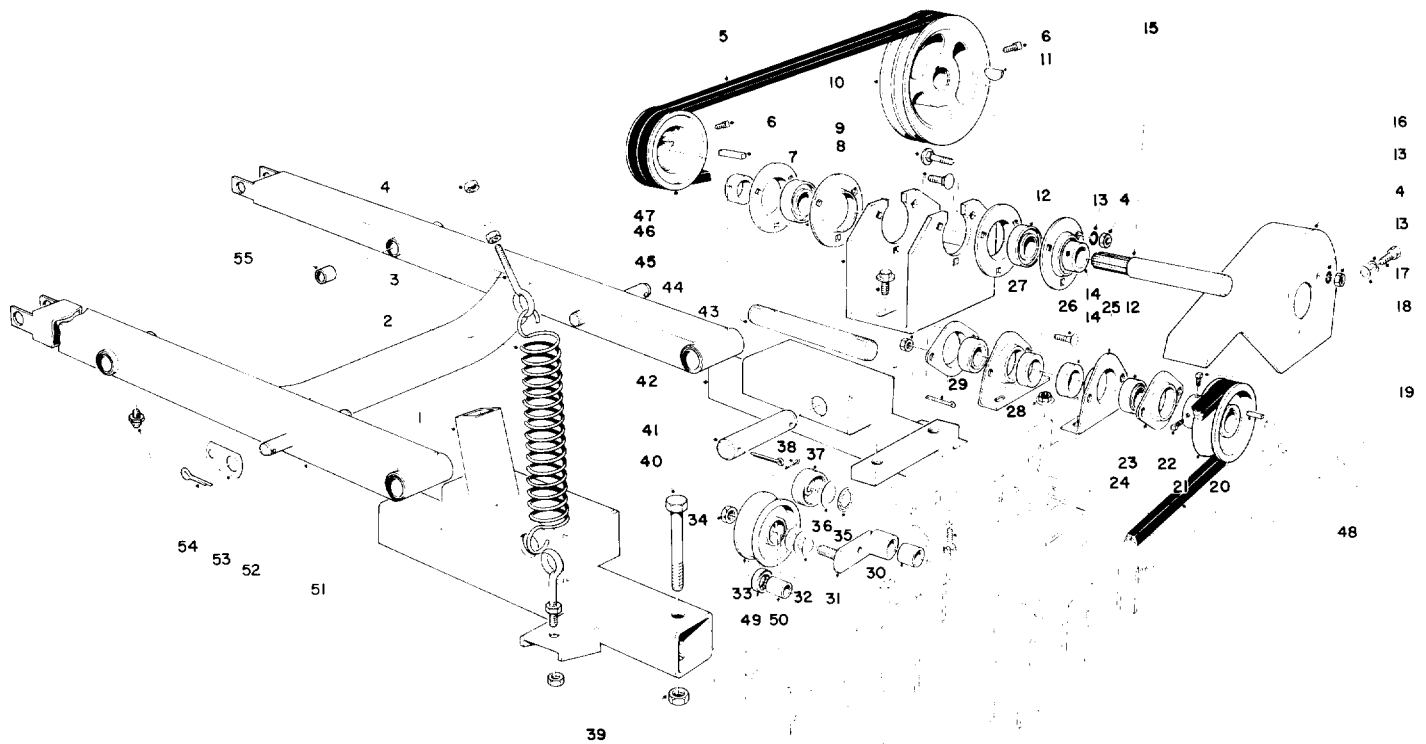
*Not Illustrated



48" SNOWTHROWER MODEL NO. 30570

Ref. No.	Part No.	Description	No. Used
1	32120-72	Retaining Ring	4
2	30-0590	Shaft	1
3	30-0660	Key	2
4	30-0630	Bearing	2
5	30-0640	Oil Seal	2
6	30-0650	Housing	1
7	37-5840	Shaft	1

Ref. No.	Part No.	Description	No. Used
8	30-0620	Bearing	2
9	30-0670	Gear	1
10	30-0680	Gasket — Cover Plate	1
11	12-3270	Screw Special	4
12	30-0690	Cover Plate	1
13	30-0600	Gear	1



48" SNOWTHROWER ADAPTER KIT MODEL NO. 30572

Ref. No.	Part No.	Description	No. Used
1	37-5600	Adapter R.H.	1
2	30-1020	Spring – Extension	2
3	30-0980	Eye Bolt	4
4	3217-6	Hex Nut	17
5	37-5650	V-Belt (Matched Set)	1
6	3242-6	Square Head Setscrew	4
7	3-3267	Square Key	1
8	3230-16	Carriage Bolt	3
9	3230-4	Carriage Bolt	3
10	37-5340	Pulley	1
11	3257-8	Key – Woodruff	1
12	251-253	Bearing (Incl. Ref. #14)	4
13	3253-24	Lockwasher	11
14	251-77	Collar	4
15	39-4370	Jackshaft	1
16	37-5580	Belt Shield	1
17	322-3	Capscrew	2
18	3256-23	Washer	2
19	3242-1	Square Head Setscrew	1
20	5-7280	Key – Square	1
21	32-1790	Sheave	1
22	3242-2	Square Head Setscrew	1
23	251-285	Flange	2
24	323-4	Capscrew	4
25	251-286	Flange	2
26	3230-1	Carriage Bolt	4
27	32128-20	Nut – Flange	4
28	3290-357	Nut – Flange	4
29	3272-52	Cotter Pin	4
30	31-0680	Bushing Bronze	1

Ref. No.	Part No.	Description	No. Used
31	37-5470	Idler Arm (Incl. Ref. #30)	1
32	3256-27	Washer	3
33	32-1450	Idler Pulley	1
34	30-8670	Locknut	1
35	31-7620	Felt Washer	1
36	31-0210	Washer	1
37	31-9500	Spring – Torsion	1
38	3272-23	Pin – Cotter	1
39	32152-2	Locknut	2
40	323-11	Capscrew	2
41	37-5160	Pin	2
42	37-5620	Adapter L.H.	1
43	37-5250	Jackshaft	1
44	3234-12	Flangescrew	2
45	37-5610	Jackshaft – Support	1
46	251-287	Flange	4
47	37-5070	Pulley	1
48	37-5660	V-Belt	1
49	31-0530	Ball Bearing	1
50	30-5440	Sleeve	1
51	27-4270	Lift Arm (Incl. Ref. #53 & 54)	1
52	27-5270	Strap Brake Spring	2
53	3272-12	Cotter Pin	1
54	302-53	Grease Fitting	2
55	256-101	Bushing	8
*	32-2820	Idler Assembly (Incl. Ref. #33 & 49-50)	1
*	37-5790	Reflector	2
*	32104-42	Self-Tapping Screw	4
*	2112-9	Toggle Switch Mount	1

*Not Illustrated †Parts must be ordered for mounting 48" Snowthrower on Model No. 30775 order parts separately.

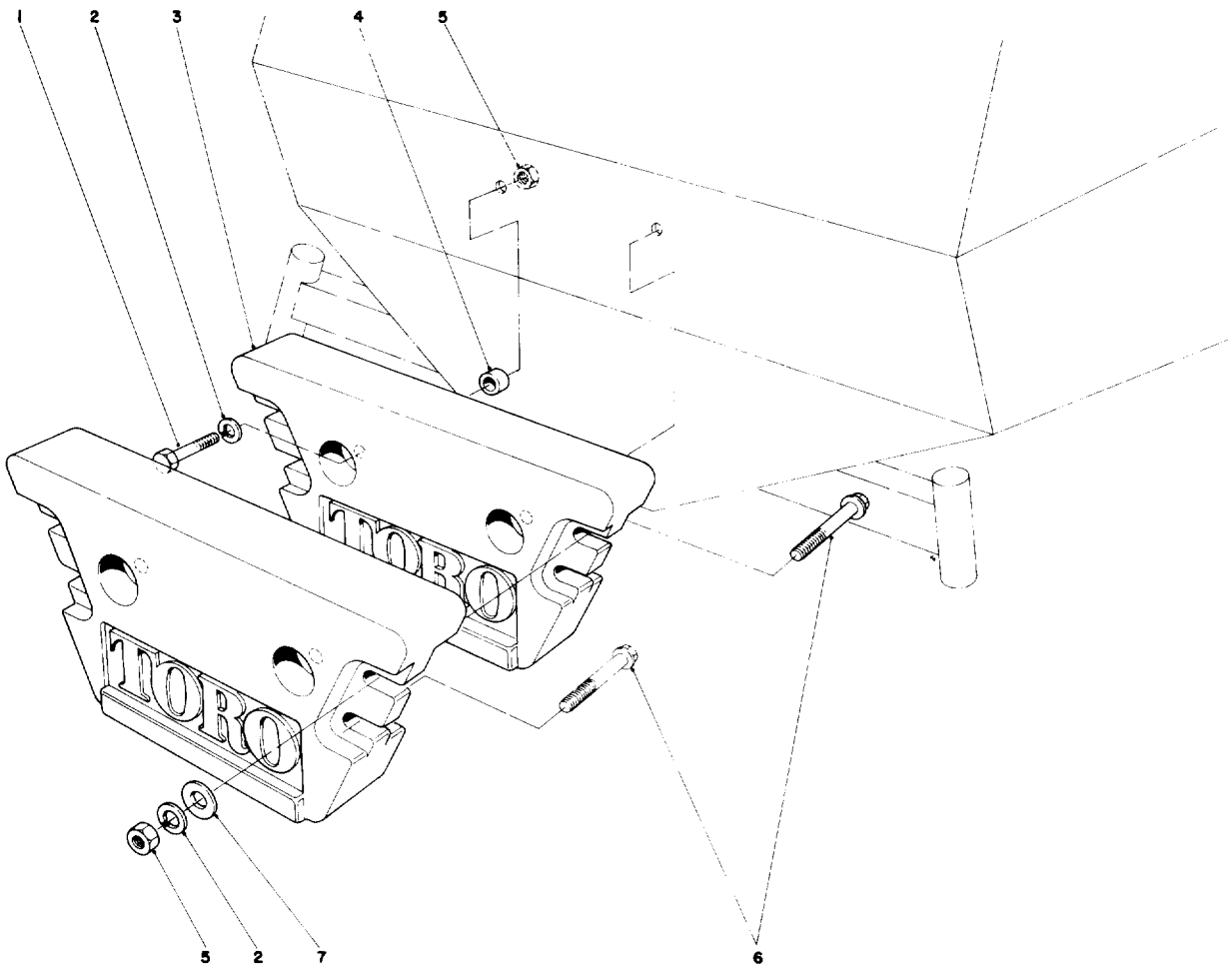


CHUTE EXTENSION KIT 26-1100

Ref. No.	Part No.	Description	No. Used
1	322-2	Hex Hd. Capscrew	6
2	3256-23	Washer	6
3	32152-1	Locknut	6

Ref. No.	Part No.	Description	No. Used
4†		Upper Chute Extender	1
5	3290-326	Pushnuts	2

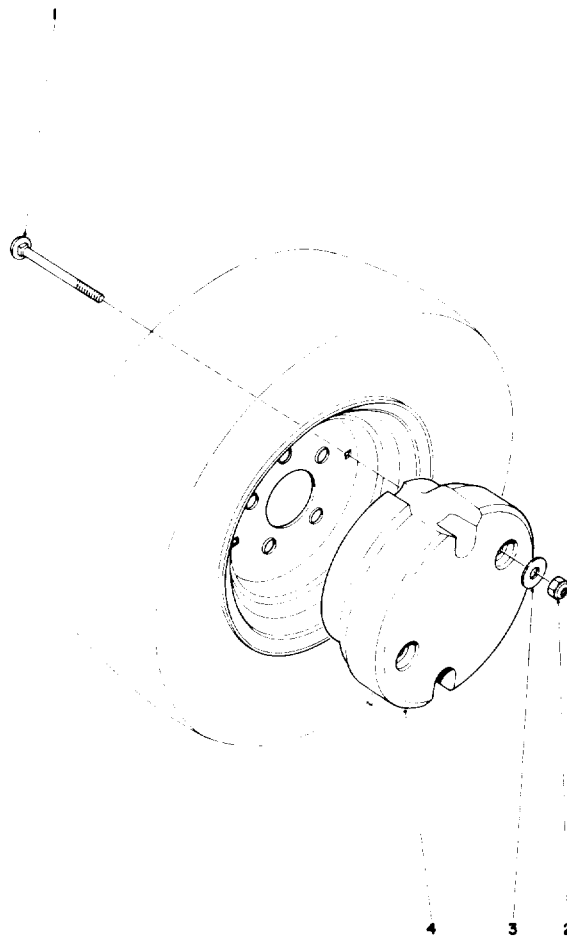
†Not available, for reference only.



REAR WEIGHT KIT MODEL NO. 24-5780 (Optional)

Ref. No.	Part No.	Description	No. Used
1	325-8	Capscrew	2
2	3253-7	Lockwasher	6
3	24-5790	Rear Weight	2
4	3-8847	Spacer	2

Ref. No.	Part No.	Description	No. Used
5	3217-9	Nut	6
6	325-14	Capscrew	4
7	3256-26	Flatwasher	8



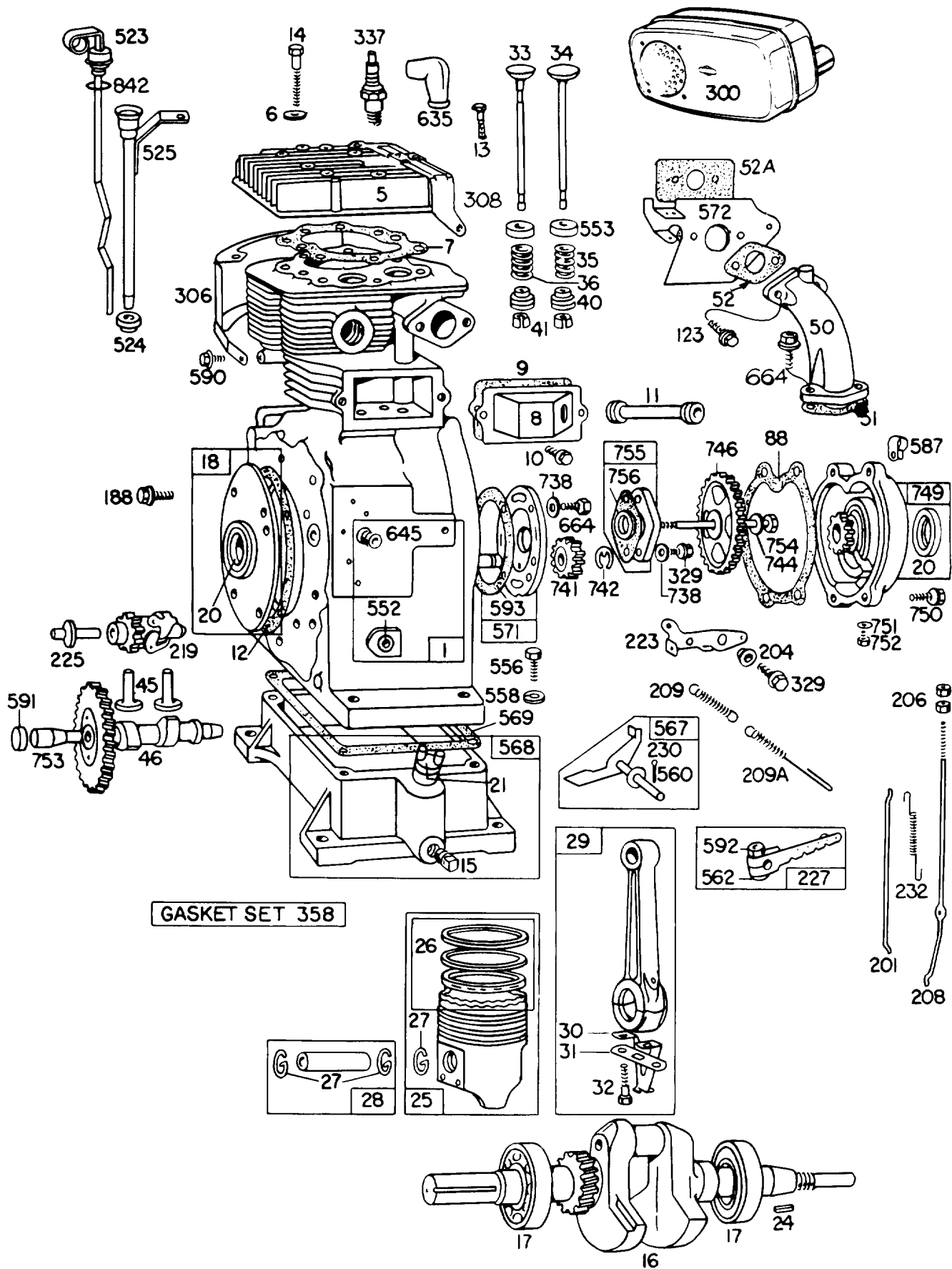
WHEEL WEIGHT KIT NO. 30762 (Optional)

Ref. No.	Part No.	Description	No. Used
1	3231-24	Carriage Bolt	4
2	3296-26	Nut	4

Ref. No.	Part No.	Description	No. Used
3	3256-24	Washer	4
4†		Wheel Weight	2

†Order Replacement Kit Model No. 30762

ENGINE BRIGGS AND STRATTON MODEL NO. 326437-0262-01



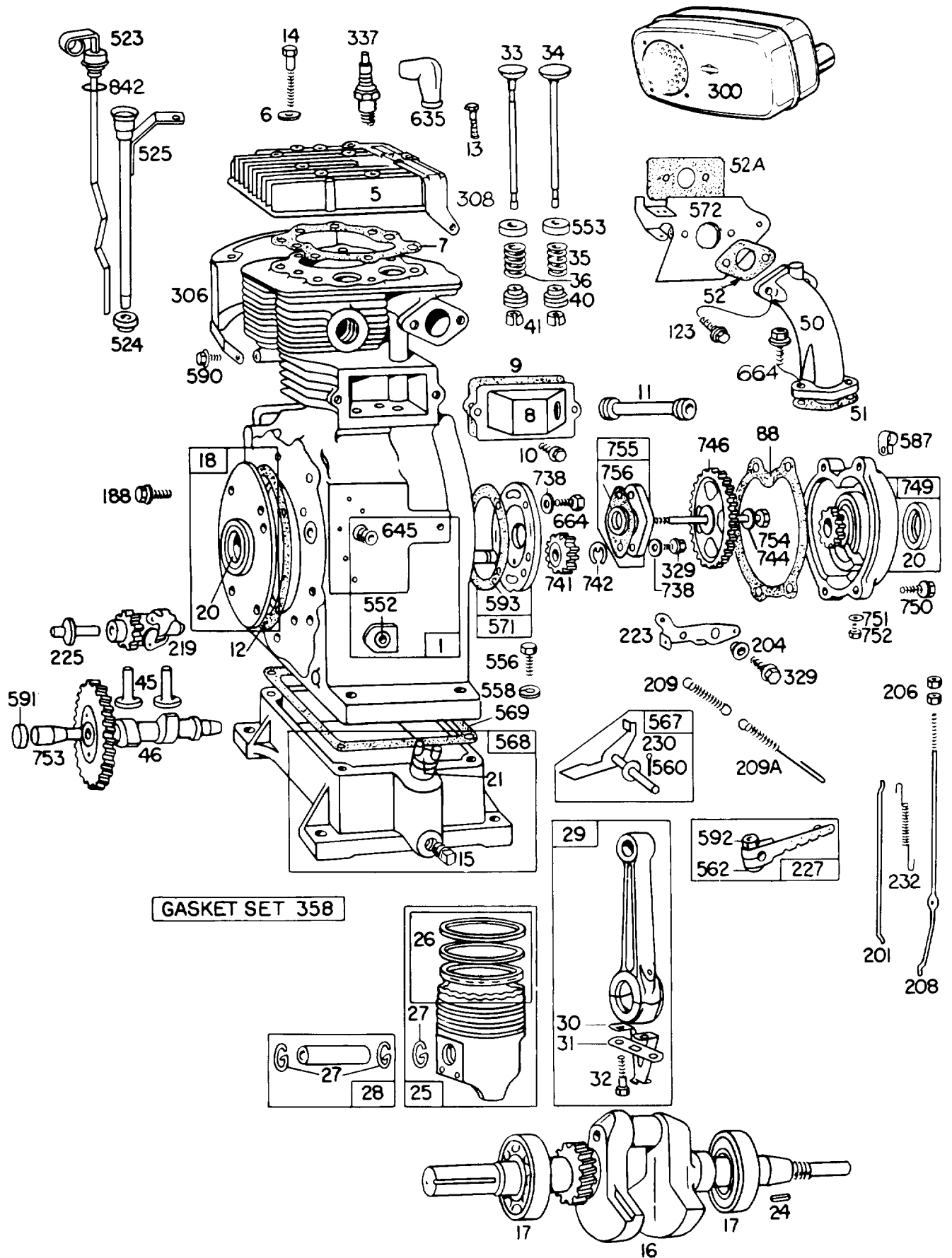
ENGINE BRIGGS AND STRATTON MODEL NO. 326437-0262-01

Ref. No.	Part No.	Description	No. Used	Ref. No.	Part No.	Description	No. Used
1	392096	Cylinder Assembly (Includes Piston And Ring Assembly)	1	52A	270992	Gasket – Air Guide Mounting	1
5	211981	Head – Cylinder	1	88	270449	Gasket – Gear Case Cover	1
6	22963	Washer – Cylinder Hd.	1	123	93357	Screw – Hex. Hd.	1
7	*270662	Gasket – Cylinder Hd.	1	188	93535	Screw Sem	1
8	299328	Breather	1	201	260923	Link – Throttle	1
9	*27803	Gasket – Valve Cover	1	204	23849	Bushing – Control Lever	1
10	93394	Screw – Breather Mtg. Sem	1	206	93422	Nut – Governor Adjusting	1
11	68818	Tube – Breather	1	208	230040	Rod – Governor Control	1
12	270789	Gasket – Cover	1	209	260815	Spring – Governor (2" Long)	1
13	91203	Screw – Cylinder Head 1-3/4" Long	3	209A	260816	Spring – Governor (2-1/2" Long)	1
14	92674	Screw – Cylinder Head 2-7/16" Long	1	219	291192	Gear Assembly – Governor	1
	93583	Note: Stud – Cylinder Head	2	223	22814	Lever – Governor Control	1
15	91084	Plug – Pipe – 3/8"	1	225	291177	Shaft – Governor Gear	1
16	261302	Crankshaft	1	227	298399	Lever Assy. – Governor	1
17	291667	Bearing – Ball	2	230	22826	Washer – Flat	1
18	391062	Cover Assy. – Crankcase	1	232	260478	Spring – Governor Link	1
20	299609	Seal – Oil	1	300	392101	Muffler – Exhaust	1
21	66768	Plug – Oil Filler	1	306	299536	Shield – Cylinder	1
24	61760	Key – Flywheel	1	308	222357	Cover – Cylinder Head	1
25	390364	Piston Assy. – Standard	1	329	93294	Screw – Sem	1
	390365	Piston Assembly – .010" O.S.	1	337	293918	Plug – Spark (1-1/2" Resistor Type)	1
	390366	Piston Assembly – .020" O.S.	1			Note: Use Ignition Cable Terminal No. 221798.	
	390367	Piston Assembly – .030" O.S.	1	358	299719	Gasket Set	1
		Piston Ring Sets		523	390947	Cap And Dipstick – Oil Filler	1
		Note: For Chrome Piston Ring Set – Standard Size – Order Part No. 390679.		524	68838	Seal – Filler Pipe	1
26	390484	Ring Set – Piston – Std.	1	525	390945	Pipe – Oil Filler	1
	390486	Ring Set – Piston – .010" O.S.	1	552	23837	Bushing – Governor Crank	1
	390505	Ring Set – Piston – .020" O.S.	1	553	62222	Cup – Valve Spring	1
	390507	Ring Set – Piston – .030" O.S.	1	556	90887	Screw – Cap. Hex. Hd. – 3/8-16 x 1-1/4"	1
27	260924	Lock – Piston Pin	1	558	92268	Washer – Lock 3/8 x 1/8 x 3/32"	1
28	299691	Pin Assy. – Piston – Standard	1	560	91984	Pin – Cotter – 1/16 x 1/2" Long	1
29	299632	Rod Assy. – Connecting	1	562	92613	Bolt – Governor Lever	1
		Note: For Connecting Rod with .020" Undersize Crankpin Bore – Order No. 390306.		567	291364	Crank Assy. – Governor	1
30	221777	Dipper – Conn. Rod	1	568	391165	Base Assy. – Engine	1
31	221776	Lock – Conn. Rod Screw	1	569	*27351	Gasket – Engine Base	1
32	230907	Screw – Conn. Rod	1	571	299705	Support Assy. – Bearing (Mag. Side)	1
33	261207	Valve – Exhaust	1	572	291871	Guide – Front Air	1
34	261206	Valve – Intake	1	587	220509	Clamp – Cable	1
35	26828	Spring – Intake Valve	1	590	93171	Screw – Sem	1
36	26828	Spring – Exhaust Valve	1	591	222251	Plug – Cam Shaft	1
40	292260	Rotocoil – Exhaust And Intake Valve	1	592	231082	Nut – Hex. – 10-24	1
41	68283	Collar – Valve Spring Retainer	1	593	*270513	Shim – Mag. Side Bearing Support – .015" Thick	1
45	26670	Tappet – Valve	1		*270514	Shim – Mag. Side Bearing Support – .010" Thick	1
46	211794	Gear – Cam	1		*270515	Shim – Mag. Side Bearing Support – .005" Thick	1
50	211589	Elbow – Carburetor Intake	1				
51	†270267	Gasket – Intake Elbow	1				
52	*27381	Gasket – Intake Elbow Mtg.	1				

*Included in Gasket Set – Part No. 299719.

†Included in Carburetor Overhaul Kit – Part No. 391071.

ENGINE BRIGGS AND STRATTON MODEL NO. 326437-0262-01



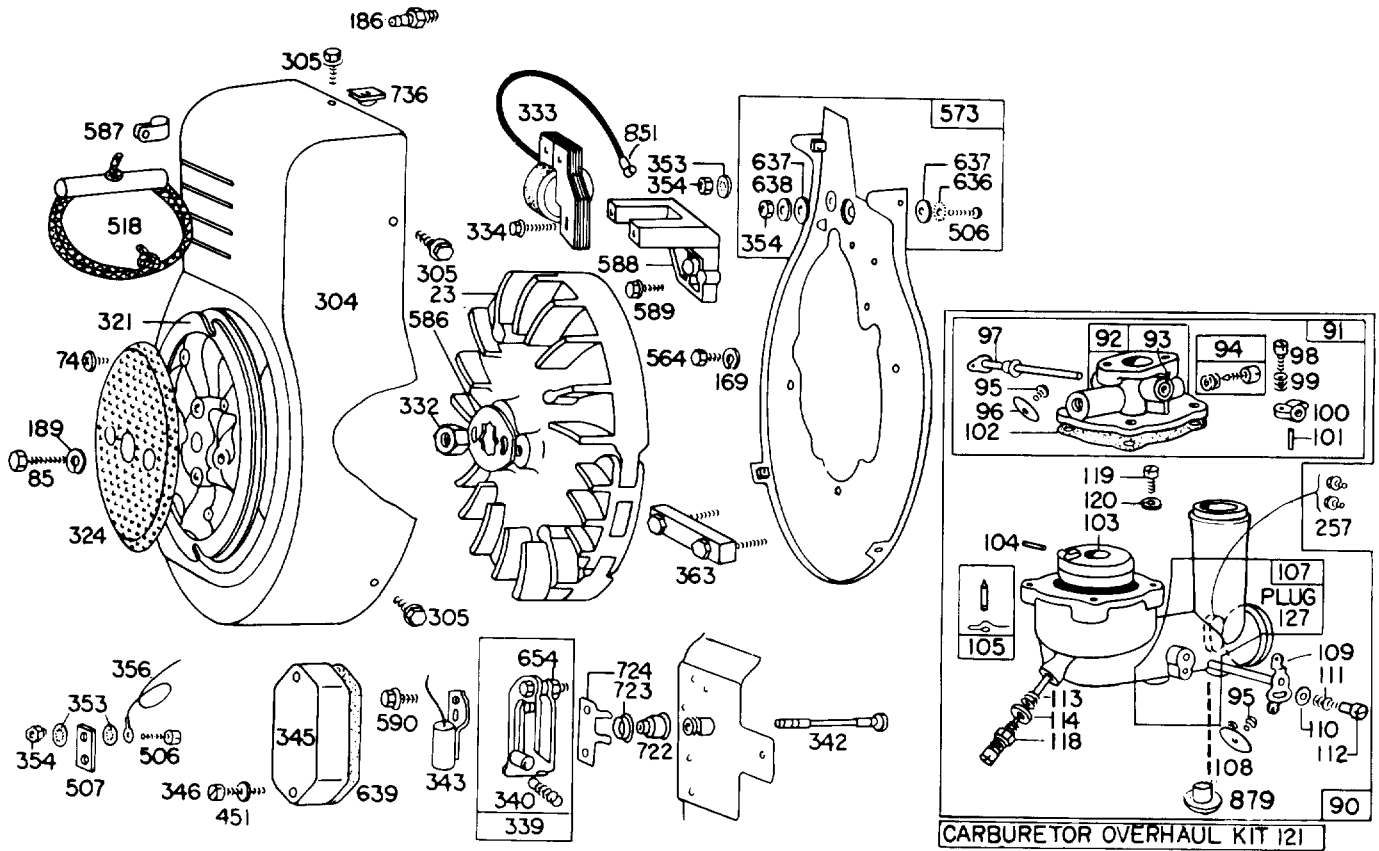
ENGINE BRIGGS AND STRATTON MODEL NO. 326437-0262-01 (Continued)

Ref. No.	Part No.	Description	No. Used
635	66538	Elbow – Spark Plug	1
645	230775	Bushing – Plunger	1
664	93415	Screw – Sem	1
738	221944	Washer – Flat	1
741	390937	Gear Assy. – Idler	1
742	93525	Retainer – E-Ring	1
744	93526	Washer – Belleville	1
746	211927	Gear – Drive	1
749	391361	Cover Assy. – Mag Side	1
750	93587	Screw – Mag. Side Cover Mounting Sem	1 1
751	22355	Washer – Flat	1

Ref. No.	Part No.	Description	No. Used
752	93554	Screw – Plug	1
753	231006	Shaft – Cam Gear	1
754	93528	Bolt – Cam Gear Shaft	1
755	299706	Bearing Assy. – Cam Gear	1
756	*270516	Shim – Cam Gear Bearing – .009" Thick	1
	*270517	Shim – Cam Gear Bearing – .007" Thick	1
	*270518	Shim – Cam Gear Bearing – .005" Thick	1
842	270933	Seal – Oil Filler Cap	1

* Included in Gasket Set – Part No. 299719.

ENGINE BRIGGS AND STRATTON MODEL NO. 326437-0262-01



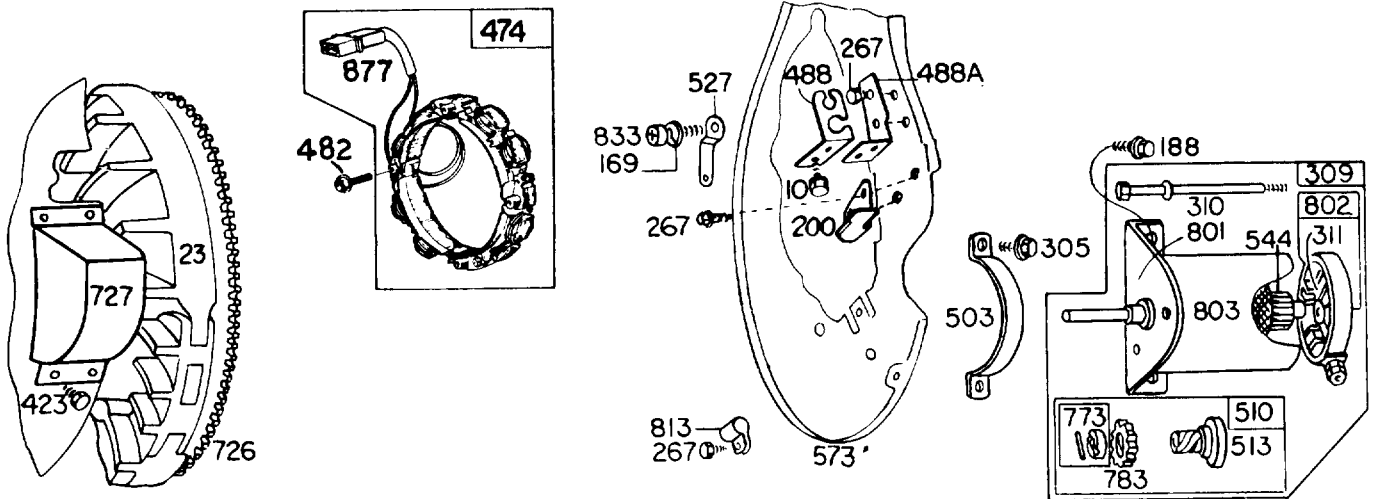
ENGINE BRIGGS AND STRATTON MODEL NO. 326437-0262-01

Ref. No.	Part No.	Description	No. Used
23	391363	Flywheel Assembly	1
74	93521	Screw – Rotating Screen Mounting	1
85	91386	Screw – Fan Pulley Mounting	1
90	393394	Carburetor Assy.	1
91	391067	Body Assy. – Upper Carburetor	1
92	390998	Body – Upper Carburetor	1
93	23108	Bushing – Throttle Shaft	1
94	†292681	Valve Assembly – Carburetor Idle	1
95	93038	Screw – Choke and Throttle Valve Mtg. Sem	1
96	221939	Valve – Throttle	1
97	298535	Shaft Assy. – Throttle	1
98	91920	Screw – Machine, Fill Hd. – 8-32 x 5/8"	1
99	26157	Spring – Throttle Adjustment	1
100	61967	Stop – Throttle	1
101	93043	Pin – Throttle Lever	1
102	†270268	Gasket – Carburetor Body	1
103	298514	Float – Carburetor	1
104	†230896	Pin – Float Hinge	1
105	†299096	Valve – Fuel Inlet	1
107	393383	Body Assy. – Lower Carburetor	1
108	390936	Valve – Choke	1
109	391583	Shaft and Lever – Choke	1
110	62899	Washer – Choke Lever	1
111	26155	Spring – Choke Lever	1
112	23123	Screw – Choke Lever	1
113	†390950	Nozzle – Carburetor	1
114	†68667	Gasket – Nozzle	1
118	†99525	Valve Assembly – Needle	1
119	90746	Screw – Machine, Fill. Hd. – 10-32 x 5/8"	1
120	92290	Washer – Lock – No. 10 x 1/16 x 3/64"	1
121	391071	Carburetor Overhaul Kit	1
127	†221747	Plug – Welch	1
169	90832	Washer – Lock – 1/4 x 3/32 x 5/64"	1
186	67218	Connector – Fuel Pipe	1
189	90366	Washer – Lock – 5/16 x 1/8 x 1/16"	1
257	93543	Screw – Casing Clamp	1
304	391229	Housing – Blower	1

Ref. No.	Part No.	Description	No. Used
305	93158	Screw – Sem	1
321	211555	Fan and V-Belt Pulley	1
324	222283	Screen – Rotating	1
332	230674	Nut – Flywheel	1
333	298968	Armature Assembly	1
334	93381	Screw – Armature to Mounting Bracket Sem	1
339	298185	Breaker Assy. – Ignition	1
340	26018	Spring – Breaker Arm	1
342	298125	Plunger – Contact	1
343	298060	Condenser	1
345	211327	Cover – Breaker	1
346	93400	Screw – Breaker Cover Mounting Sem	1
353	92791	Washer – Lock – Shakeproof	1
354	90576	Nut – Hex. – 8-32	1
356	391115	Wire – Ground	1
363	19068	Puller – Flywheel (Optional Accessory)	1
451	90364	Washer – Lock – No. 8 x 3/64 x 1/32"	1
506	90072	Screw – Machine Fill. Hd. – 8-32 x 5/8"	1
507	66895	Insulator	1
518	69932	Rope – Starter	1
564	92980	Screw – Cap. Hex. Hd. – 1/4-20 x 1/2	1
573	391220	Plate – Back	1
586	22906	Lock – Flywheel Nut	1
587	220509	Clamp – Cable	1
588	211976	Bracket – Armature Mfg.	1
589	93473	Screw – Armature Bracket to Cylinder Mounting Sem	1
590	93171	Screw – Sem	1
636	92864	Washer – Lock	1
637	66154	Washer – Back Plate Term.	1
638	26404	Washer – Back Plate Term.	1
639	*270176	Gasket – Breaker Cover	1
654	230783	Nut – Contact Point Adjusting Screw	1
722	68768	Seal – Plunger	1
723	93516	Eyelet – Seal Retainer	1
724	221873	Retainer – Plunger Seal	1
736	93542	Nut – Clip	1
851	221798	Terminal – Cable	1
879	93110	Screw – Machine, Fill. Hd. 1/4-28 x 1/2"	1

*Included in Gasket Set – Part No. 299719.

†Included in Carburetor Overhaul Kit – Part No. 391071.



ENGINE BRIGGS AND STRATTON MODEL NO. 326437-0262-01

Ref. No.	Part No.	Description	No. Used
10	93394	Screw – Breather Mtg. Sem	1
23	391363	Flywheel Assembly	1
169	90832	Washer – Lock – 1/4 x 3/32 x 5/64"	1
188	93535	Screw Sem	1
200	222581	Deflector – Air	1
267	93612	Screw – Sheet Metal	1
305	93158	Screw – Sem	1
309	391178	Motor – Starting	1
310	391790	Thru Bolt Assembly	1
311	391791	Brush Set	1
423	93410	Screw – Cover Mounting	1
474	393474	Stator Alternator	1
482	93621	Screw – Sem	1
488	222211	Bracket – Output	1
488A	222345	Bracket – Output Bracket Mounting	1
503	222331	Strap – Starter	1

Ref. No.	Part No.	Description	No. Used
510	391461	Drive Assembly – Starter	1
513	391135	Clutch Assembly – Starter	1
527	222192	Bracket – Alternator Harness	1
544	391160	Armature Assembly – Starter	1
573	391220	Plate – Back	1
726	391362	Gear – Flywheel Ring (Includes Mtg. Parts)	1
727	391238	Cover – Starter	1
773	391462	Retainer & Pin Assembly	1
783	280104	Gear – Starter	1
801	392062	Drive End Bracket Assembly – Starter	1
802	391172	Commutator End Cap Assembly – Starter	1
803	391167	Housing Assembly – Starter	1
813	93732	Clamp – Stator Wire	1
833	93743	Screw – Machine	1
877	393456	Diode and Connector Assembly	1